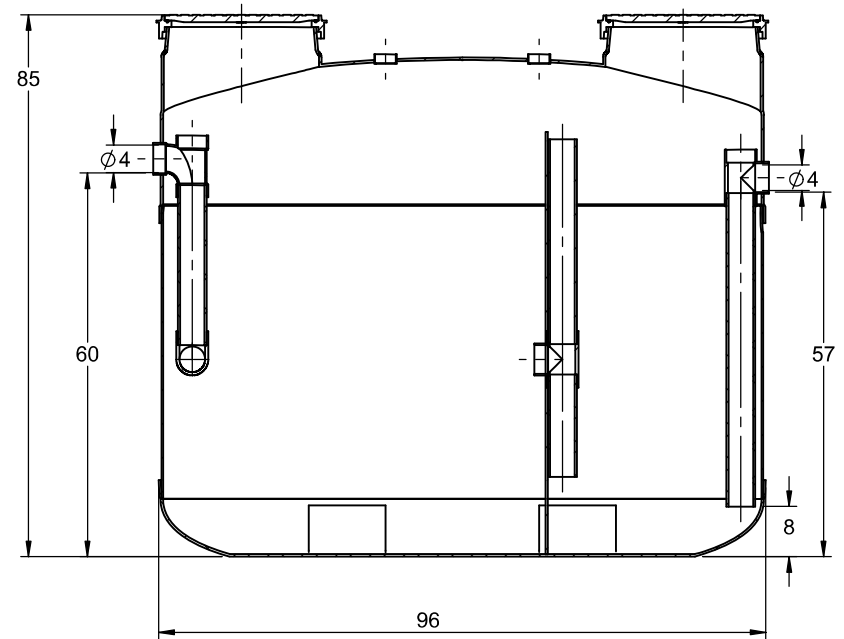
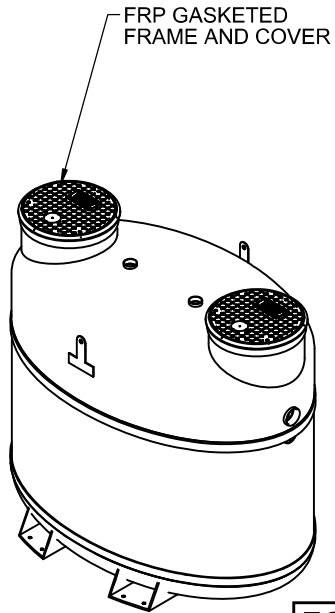
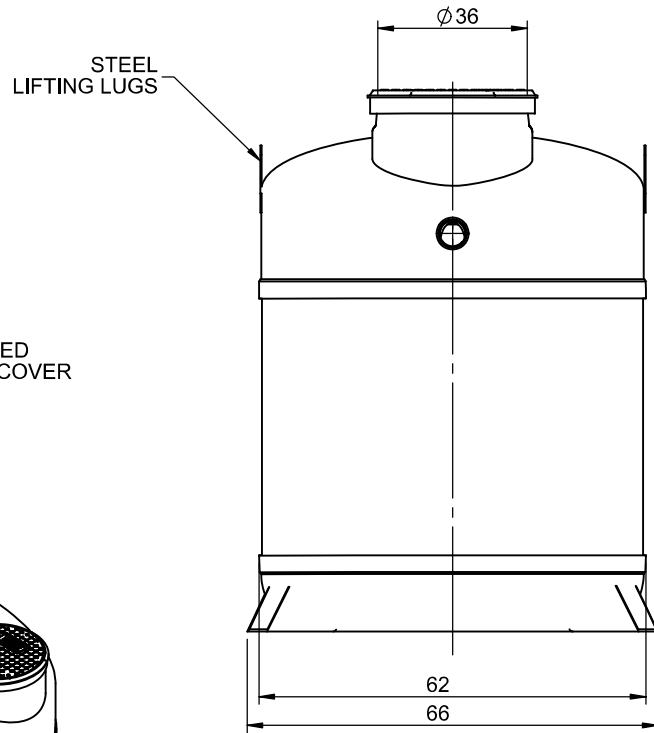
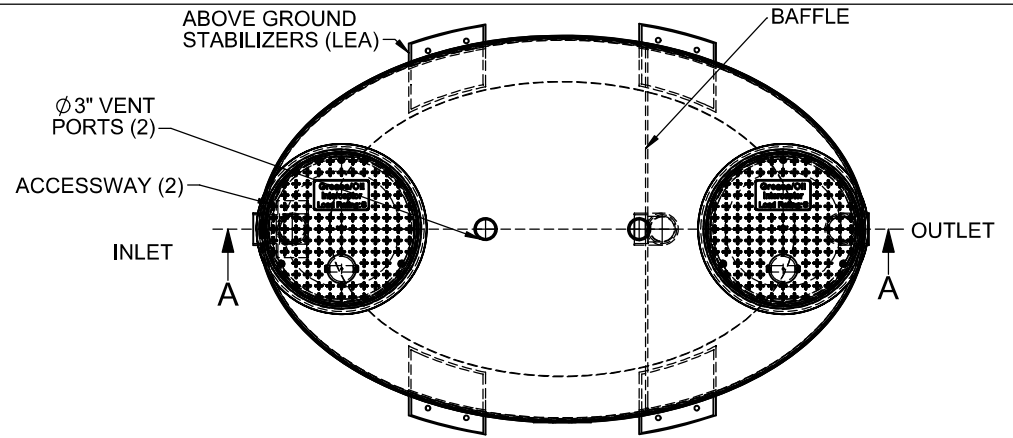


NOTES:

1. FOR GRAVITY APPLICATIONS ONLY.
2. ALL PROCEPTOR UNITS ARE MANUFACTURED WITH FIBERGLASS REINFORCED PLASTICS. PHYSICAL CHARACTERISTICS AND THICKNESS: POLYESTER RESIN AND E GLASS MINIMUM THICKNESS 1/4" WALL AND 3/8" TOP AND BOTTOM BOWLS.
3. ALL PROCEPTOR UNITS ARE TO BE INSTALLED IN ACCORDANCE WITH THE MANUFACTURERS INSTALLATION INSTRUCTION.
4. STANDARD PIPING IS SCH. 40 PVC.
5. GMC/OMC 500 - 3000 UNITS COME STANDARD WITH 4" INLET AND OUTLET (OTHER PIPE SIZE OPTIONS AVAILABLE ON REQUEST).
6. EXTENSION COLLAR TO BE ORDERED TO MEET FINISHED GRADE, CUT ON SITE FOR FINAL ADJUSTMENT AND CAULKED WITH SIKAFLEX BY CONTRACTOR FOR WATERTIGHT SEAL.
7. COVERS AVAILABLE FOR H2O TRAFFIC LOADING, PEDESTRIAN LOADING OR ABOVE GROUND INSTALLATION.
8. CONSULT GREEN TURTLE FOR OTHER SIZES.
9. 30 YEAR WARRANTY AGAINST LEAKS, AND STRUCTURAL FAILURE.
10. U.S. PATENT #5,746,912; CDN PATENT #2,195,822



SECTION A-A
SCALE 1 : 30

Tested by IAPMO to ASTM C-581 to meet pH 3.0 to 10.0

FOR FLORIDA INSTALLATIONS
70-126-10D-C4

TITLE: PROCEPTOR F.O.G. SEPARATOR GMC 1000 FL GALLON INTERCEPTOR 4" INLET & OUTLET ACCESSWAY		REV	DATE	DRAWN
PROJECT: WO:		11	APRIL 06, 2016	
		2	1/2005	F. CHANDLER
		3	9/13/2005	L. SIMKINS
		4	12/27/5	L. SIMKINS
		5	JAN. 25, 2007	L. SIMKINS
		6	MAY 14, 2008	L. SIMKINS
		7	NOVEMBER 16, 2009	L. SIMKINS
		8	APRIL 3, 2011	L. SIMKINS
		9	APRIL 02, 2014	S. MANGAT
		10	JULY 28, 2015	
DRAWN BY: F. CHANDLER		DATE DRAWN: 6/15/04		

Proceptor

ZURN

SIZE	DWG. NO.	REV.
A	GMC 1000 FL	11
SCALE:1:30	DO NOT SCALE DRAWING	SHEET 1 OF 1