


NOTES:

1. FOR GRAVITY APPLICATIONS ONLY.
2. ALL PROCEPTOR UNITS ARE MANUFACTURED WITH FIBERGLASS REINFORCED PLASTICS. PHYSICAL CHARACTERISTICS AND THICKNESS: POLYESTER RESIN AND E GLASS. MINIMUM THICKNESS 1/4" WALL AND 3/8" TOP AND BOTTOM BOWLS.
3. ALL PROCEPTOR UNITS ARE TO BE INSTALLED IN ACCORDANCE WITH THE MANUFACTURERS INSTALLATION INSTRUCTION.
4. STANDARD PIPING IS SCH. 40 PVC.
5. GMC/OMC 500 - 3000 UNITS COME STANDARD WITH 4" INLET AND OUTLET (OTHER PIPE SIZE OPTIONS AVAILABLE ON REQUEST).
6. EXTENSION COLLAR TO BE ORDERED TO MEET FINISHED GRADE, CUT ON SITE FOR FINAL ADJUSTMENT AND CAULKED WITH SIKAFLEX BY CONTRACTOR FOR WATERTIGHT SEAL.
7. COVERS AVAILABLE FOR H2O TRAFFIC LOADING, PEDESTRIAN LOADING OR ABOVE GROUND INSTALLATION.
8. CONSULT GREEN TURTLE FOR OTHER SIZES.
9. 30 YEAR WARRANTY AGAINST LEAKS, AND STRUCTURAL FAILURE.
10. U.S. PATENT #5,746,912; CDN PATENT #2,195,822

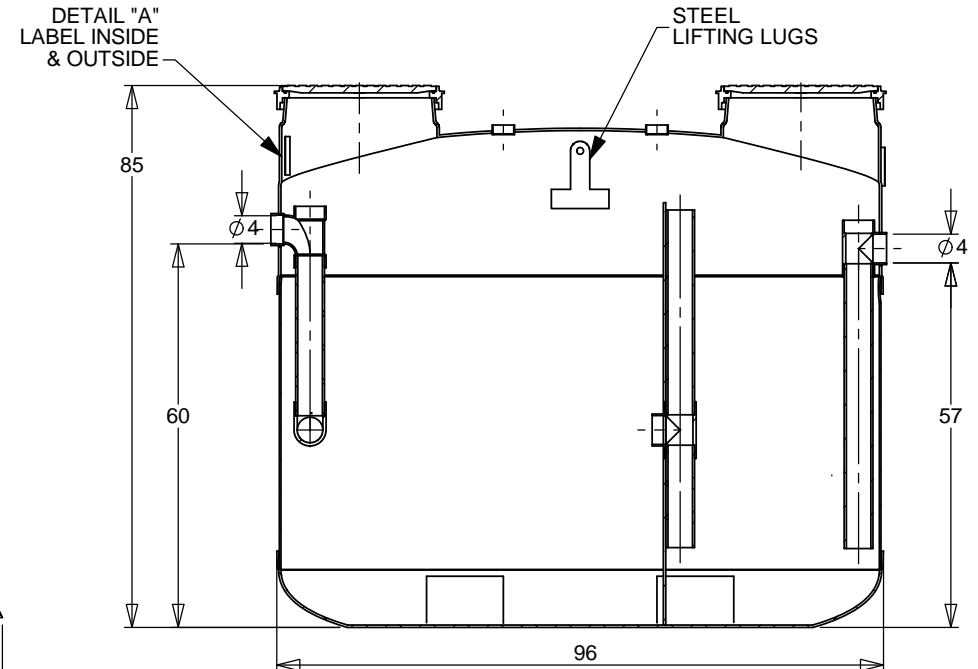
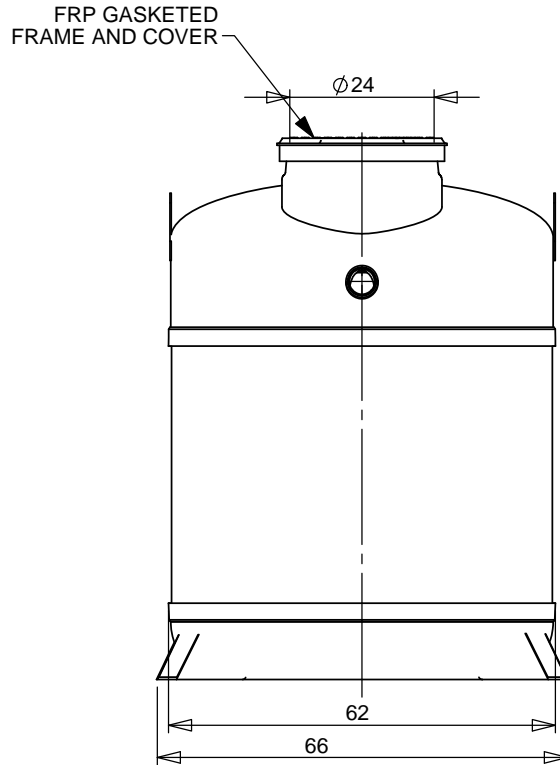
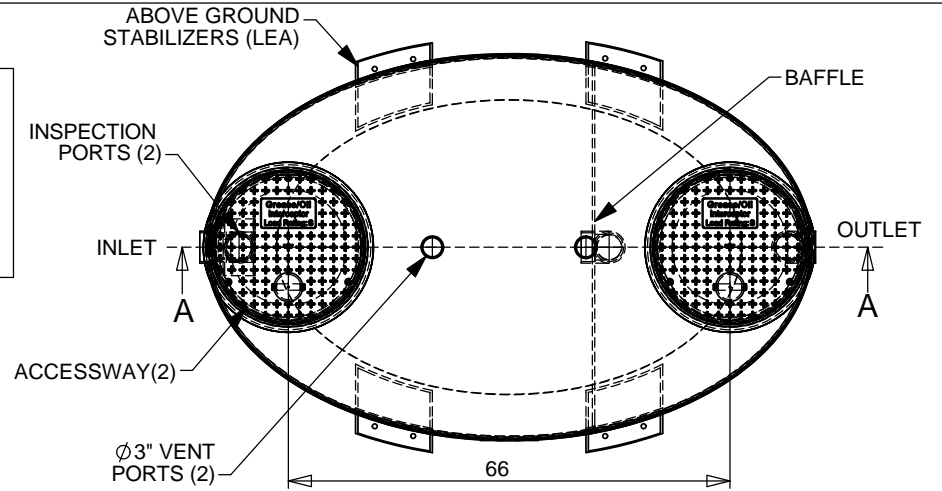
US PAT. # 5746912



MANUFACTURER: ZURN GREEN TURTLE

PROCEPTOR MODEL NUMBER: GMC 1000 UPC
 LIQUID CAPACITY (WORKING VOLUME): 1000 US GAL.
 RATED FLOW: 6 FT.
 STD. MAX BURIAL DEPTH TO TOP OF TANK: 1133 PSF
 MAX VERTICAL LOAD: 6 FT.
 MONTH/YEAR OF MANUFACTURE: 1133 PSF

DETAIL "A"



FOR UPC/IAPMO INSTALLATIONS SECTION A-A SCALE 1 : 30

| | | | | |
|---|--|-----|-------------------|------------|
| TITLE: PROCEPTOR F.O.G. SEPARATOR GMC 1000 UPC GALLON INTERCEPTOR 4" INLET & OUTLET ACCESSWAY | | REV | DATE | DRAWN |
| PROJECT: WO: | | 11 | NOV. 11, 2014 | |
| AVAILABLE OPTIONS (CHECKED IF REQUESTED) | | 2 | MAY 15, 2017 | |
| <input type="checkbox"/> OIL/GREASE SENSOR ALARM | | 3 | 3/29/6 | L. SIMKINS |
| <input type="checkbox"/> SUCTION PIPE FOR INDOOR INSTALLATION | | 4 | JANUARY 2, 2007 | L. SIMKINS |
| <input checked="" type="checkbox"/> ABOVE GROUND CONFIGURATION | | 5 | MAY 14, 2008 | L. SIMKINS |
| <input type="checkbox"/> DOUBLE WALL CONSTRUCTION | | 6 | NOVEMBER 16, 2009 | L. SIMKINS |
| | | 7 | APRIL 3, 2012 | L. SIMKINS |
| | | 8 | OCTOBER 01, | S. MANGAT |
| | | 9 | FEBRUARY 12, 2013 | S. MANGAT |
| | | 10 | AUGUST 25, 2014 | S. MANGAT |
| DRAWN BY: F CHANDLER | | | | |
| DATE DRAWN: 6/15/04 | | | | |



| | | |
|-------------|----------------------|--------------|
| SIZE | DWG. NO. | REV. |
| A | GMC 1000 UPC | 12 |
| SCALE: 1:40 | DO NOT SCALE DRAWING | SHEET 1 OF 1 |

FOR UPC/IAPMO INSTALLATIONS
 APPROVED UNDER IAPMO / ANSI Z1001-2007
 MEETS ASTM C-581

