


NOTES:

1. FOR GRAVITY APPLICATIONS ONLY.
2. ALL PROCEPTOR UNITS ARE MANUFACTURED WITH FIBERGLASS REINFORCED PLASTICS. PHYSICAL CHARACTERISTICS AND THICKNESS: POLYESTER RESIN AND E GLASS MINIMUM THICKNESS 1/4" WALL AND 3/8" TOP AND BOTTOM BOWLS.
3. ALL PROCEPTOR UNITS ARE TO BE INSTALLED IN ACCORDANCE WITH THE MANUFACTURERS INSTALLATION INSTRUCTION.
4. STANDARD PIPING IS SCH. 40 PVC.
5. GMC/OMC 500 - 3000 UNITS COME STANDARD WITH 4" INLET AND OUTLET (OTHER PIPE SIZE OPTIONS AVAILABLE ON REQUEST).
6. EXTENSION COLLAR TO BE ORDERED TO MEET FINISHED GRADE, CUT ON SITE FOR FINAL ADJUSTMENT AND CAULKED WITH SIKAFLEX BY CONTRACTOR FOR WATERTIGHT SEAL.
7. COVERS AVAILABLE FOR H2O TRAFFIC LOADING, PEDESTRIAN LOADING OR ABOVE GROUND INSTALLATION.
8. CONSULT GREEN TURTLE FOR OTHER SIZES.
9. 30 YEAR WARRANTY AGAINST LEAKS, AND STRUCTURAL FAILURE.
10. U.S. PATENT #5,746,912; CDN PATENT #2,195,822

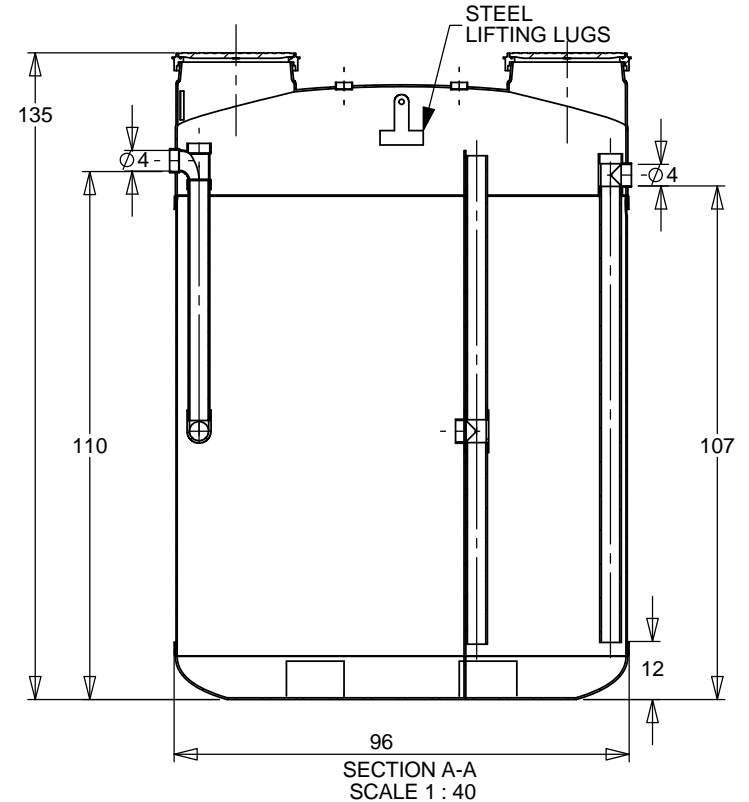
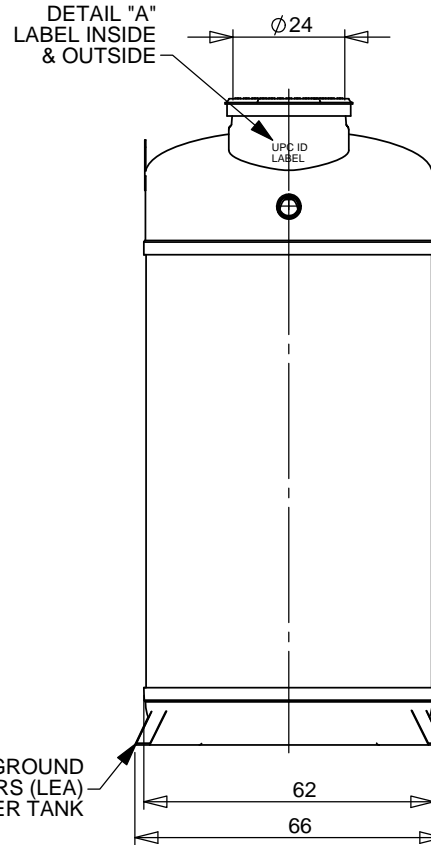
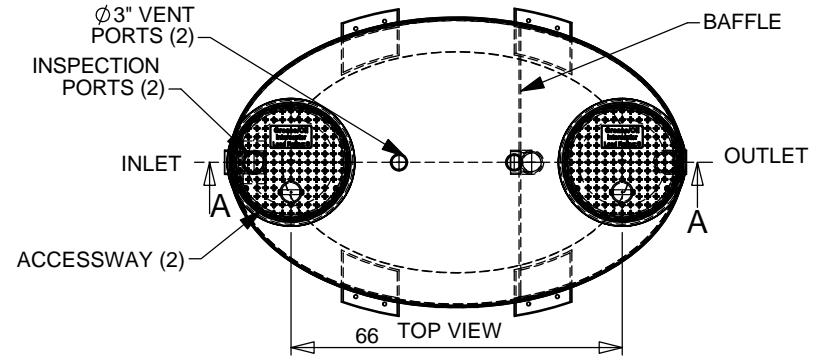
US PAT. # 5746912

Proceptor® 

MANUFACTURER: ZURN GREEN TURTLE

PROCEPTOR MODEL NUMBER: GMC 2000 UPC
 LIQUID CAPACITY (WORKING VOLUME): 2000 US GAL.
 RATED FLOW:
 STD. MAX BURIAL DEPTH TO TOP OF TANK: 6 FT.
 MAX VERTICAL LOAD: 1133 PSF
 MONTH/YEAR OF MANUFACTURE:

DETAIL "A"



TITLE: PROCEPTOR F.O.G. SEPARATOR GMC 2000 UPC INTERCEPTOR 4" INLET & OUTLET ACCESSWAY		REV	DATE	DRAWN
PROJECT: WO:		1	AUGUST 11, 2010	L. SIMKINS
AVAILABLE OPTIONS (CHECKED IF REQUESTED)		2	MAY 08, 2012	S. MANGAT
<input type="checkbox"/>	GREASE SENSOR ALARM	3	SEPTEMBER 25, 2012	S. MANGAT
<input type="checkbox"/>	SUCTION PIPE FOR INDOOR INSTALLATION	4	FEBRUARY 12, 2013	S. MANGAT
<input checked="" type="checkbox"/>	ABOVE GROUND INSTALLATION	5	NOV. 11, 2014	
		6	APRIL 16, 2015	
		7	SEPT. 15, 2016	
		8	MAY 15, 2017	
		9		
		10		
DRAWN BY: L.SIMKINS		DATE DRAWN: APRIL 24, 2009		



FOR UPC/IAPMO INSTALLATIONS
 APPROVED UNDER IAPMO / ANSI Z1001-2007
 MEETS ASTM C-581

SIZE	DWG. NO.	REV.
A	GMC 2000 UPC	8
SCALE:1:40	DO NOT SCALE DRAWING	SHEET 1 OF 1