

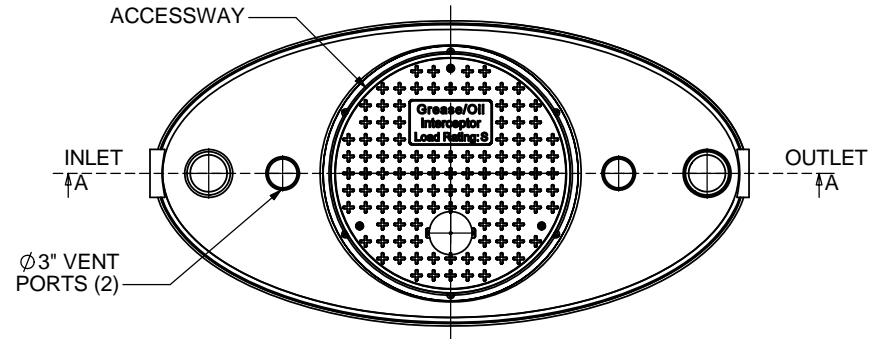
**NOTES:**

1. FOR GRAVITY APPLICATIONS ONLY.
2. ALL PROCEPTOR® UNITS ARE MANUFACTURED WITH FIBERGLASS REINFORCED PLASTICS. PHYSICAL CHARACTERISTICS AND THICKNESS: POLYESTER RESIN AND E GLASS MINIMUM THICKNESS 3/16" WALL AND 5/16" TOP AND BOTTOM BOWLS.
3. ALL PROCEPTOR® UNITS ARE TO BE INSTALLED IN ACCORDANCE WITH THE MANUFACTURERS INSTALLATION INSTRUCTION.
4. STANDARD PIPING IS SCH. 40 PVC.
5. GMC/OMC/SMC 50 - 300 UNITS COME STANDARD WITH 4" INLET AND OUTLET (OTHER PIPE SIZE OPTIONS AVAILABLE ON REQUEST).
6. EXTENSION COLLAR TO BE ORDERED TO MEET FINISHED GRADE, CUT ON SITE FOR FINAL ADJUSTMENT AND CAULKED WITH SIKAFLEX BY CONTRACTOR FOR WATERTIGHT SEAL.
7. COVERS AVAILABLE FOR H20 TRAFFIC LOADING, PEDESTRIAN LOADING OR ABOVE GROUND INSTALLATION.
8. CONSULT GREEN TURTLE™ FOR OTHER SIZES.
9. 30 YEAR WARRANTY AGAINST LEAKS, AND STRUCTURAL FAILURE.
10. U.S. PATENT #5,746,912; CDN PATENT #2,195,822

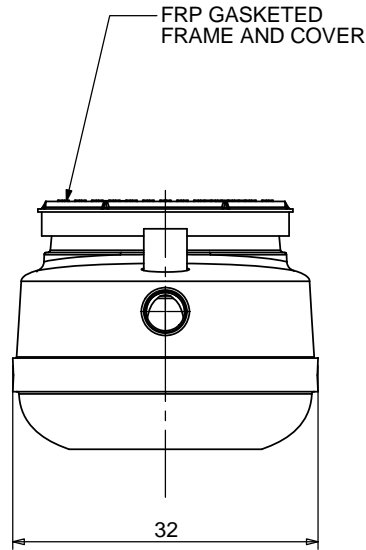
**SPECIFICATIONS**

PIPE SIZE: 4 INCH PVC SCH 40  
 INSTALLATION: ABOVE GROUND  
 ACCESSWAY SIZE: 24 INCHES

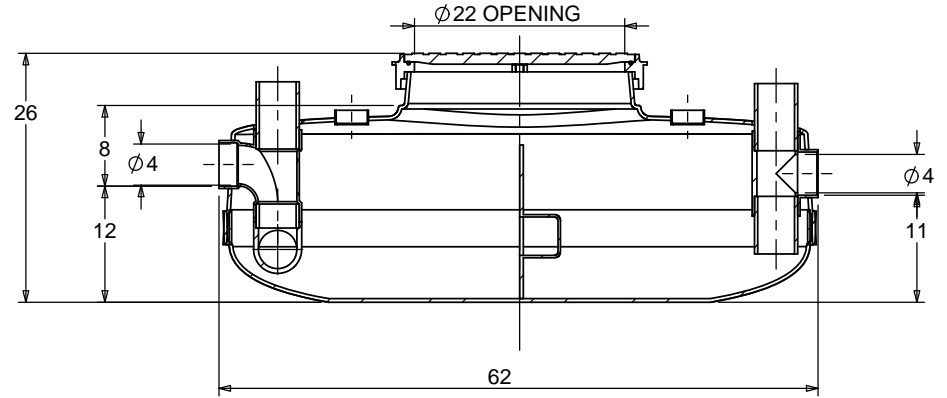
**OPTIONS**



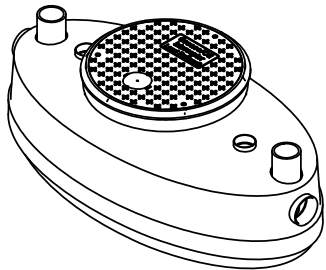
**TOP VIEW**



**SIDE VIEW**



**SECTION A-A**



**ISOMETRIC VIEW**

TOTAL WET VOLUME: 50 GAL  
 MAX. GREASE CAPACITY: 18 GAL  
 MAX SOLIDS CAPACITY: 17 GAL

CONSULT LOCAL AUTHORITIES FOR  
 MINIMUM SIZE OF SEPARATORS

TITLE: PROCEPTOR® F.O.G. SEPARATOR  
 GMC 50

ALL DIMENSIONS IN INCHES

PROJECT: WO:

NOTES:

REV	DATE	DRAWN
11	MARCH 29, 2017	
2		
3	JUNE 1, 2005	
4	OCTOBER 26, 2006	L. SIMKINS
5	DEC. 13, 2006	L. SIMKINS
6	NOV. 24, 2008	L. SIMKINS
7	NOVEMBER 3, 2009	L. SIMKINS
8	FEB. 22, 2012	L. SIMKINS
9	OCT. 31, 2012	
10	JUNE 21, 2016	

DRAWN BY: F CHANDLER

DRAWN DATE 9/2/04

**Proceptor®**



SIZE **A** DWG. NO. **GMC 50**

REV. **11**

SCALE: 1:20 DO NOT SCALE DRAWING SHEET 1 OF 1