


NOTES:

1. FOR GRAVITY APPLICATIONS ONLY.
2. ALL PROCEPTOR UNITS ARE MANUFACTURED WITH FIBERGLASS REINFORCED PLASTICS. PHYSICAL CHARACTERISTICS AND THICKNESS: POLYESTER RESIN AND E GLASS MINIMUM THICKNESS 1/4" WALL AND 3/8" TOP AND BOTTOM BOWLS.
3. ALL PROCEPTOR UNITS ARE TO BE INSTALLED IN ACCORDANCE WITH THE MANUFACTURERS INSTALLATION INSTRUCTION.
4. STANDARD PIPING IS SCH. 40 PVC.
5. GMC/OMC 500 - 3000 UNITS COME STANDARD WITH 4" INLET AND OUTLET (OTHER PIPE SIZE OPTIONS AVAILABLE ON REQUEST).
6. EXTENSION COLLAR TO BE ORDERED TO MEET FINISHED GRADE, CUT ON SITE FOR FINAL ADJUSTMENT AND CAULKED WITH SIKAFLEX BY CONTRACTOR FOR WATERTIGHT SEAL.
7. COVERS AVAILABLE FOR H2O TRAFFIC LOADING, PEDESTRIAN LOADING OR ABOVE GROUND INSTALLATION.
8. CONSULT GREEN TURTLE FOR OTHER SIZES.
9. 30 YEAR WARRANTY AGAINST LEAKS, AND STRUCTURAL FAILURE.
10. U.S. PATENT #5,746,912; CDN PATENT #2,195,822

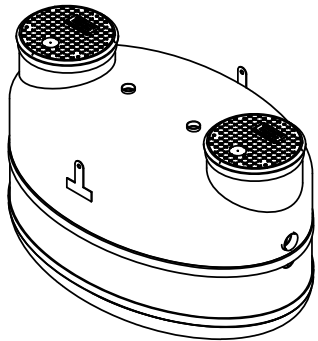
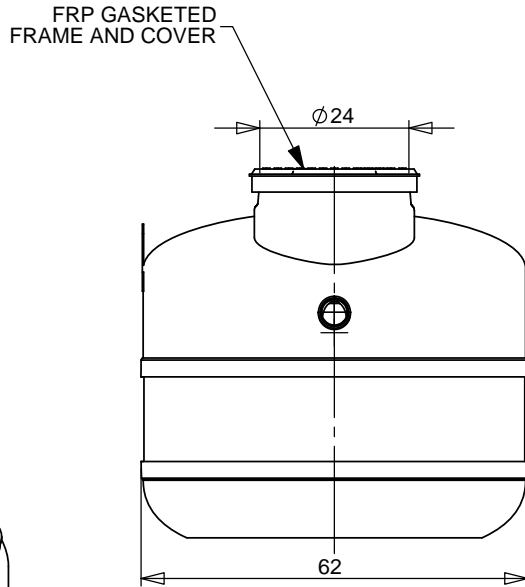
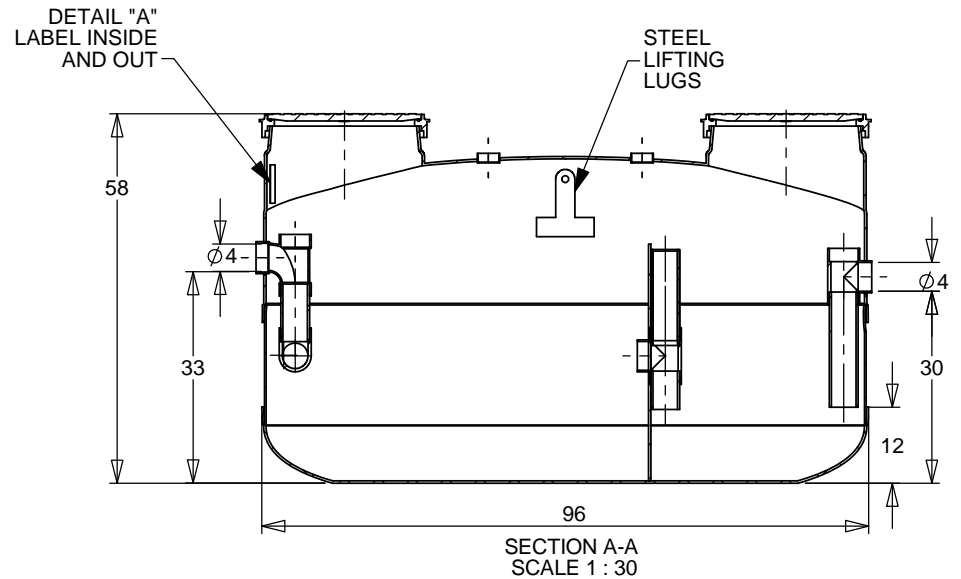
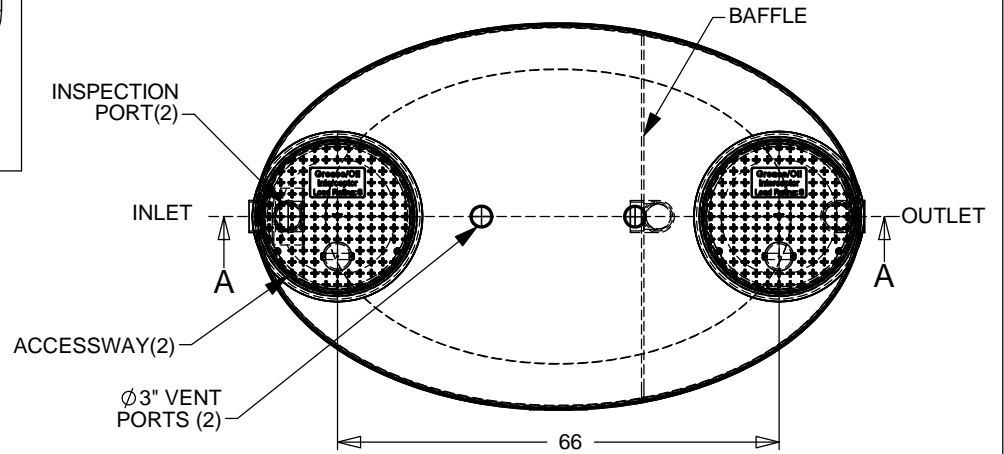
US PAT. # 5746912

Proceptor® 

MANUFACTURER: ZURN GREEN TURTLE

PROCEPTOR MODEL NUMBER: GMC 500 UPC
 LIQUID CAPACITY (WORKING VOLUME): 500 US GAL.
 RATED FLOW: 6 FT.
 STD. MAX BURIAL DEPTH TO TOP OF TANK: 1133 PSF
 MONTH/YEAR OF MANUFACTURE:

DETAIL "A"



FOR UPC/IAPMO INSTALLATIONS

**FOR UPC/IAPMO INSTALLATIONS
 APPROVED UNDER IAPMO / ANSI Z1001-2007
 MEETS ASTM C-581**

REV	DATE	DRAWN
1	JANUARY 2, 2007	L. SIMKINS
2	AUGUST 22, 2007	L. SIMKINS
3	MAY 21, 2008	L. SIMKINS
4	NOVEMBER 13, 2009	L. SIMKINS
5	APRIL 2, 2012	L. SIMKINS
6	OCTOBER 01, 2012	S. MANGAT
7	FEBRUARY 12, 2013	S. MANGAT
8	NOV. 11, 2014	
9	MAY 15, 2017	
10		

TITLE: PROCEPTOR F.O.G. SEPARATOR GMC 500 UPC 4" INLET & OUTLET 24" ACCESSWAY	PROJECT: WO:
AVAILABLE OPTIONS (CHECKED IF REQUESTED)	
<input type="checkbox"/> OIL/GREASE SENSOR ALARM	
<input type="checkbox"/> SUCTION PIPE FOR INDOOR INSTALLATION	
<input type="checkbox"/> COALESCER (FOR OIL ONLY)10ppm TREATMENT	
<input type="checkbox"/> DOUBLE WALL CONSTRUCTION	
<input checked="" type="checkbox"/> ABOVE GROUND CONFIGURATION	

DRAWN BY: L. SIMKINS	DATE DRAWN: 6/15/04
----------------------	---------------------



SIZE	DWG. NO.	REV.
A	GMC 500 UPC	9
SCALE:1:30	DO NOT SCALE DRAWING	SHEET 1 OF 1