

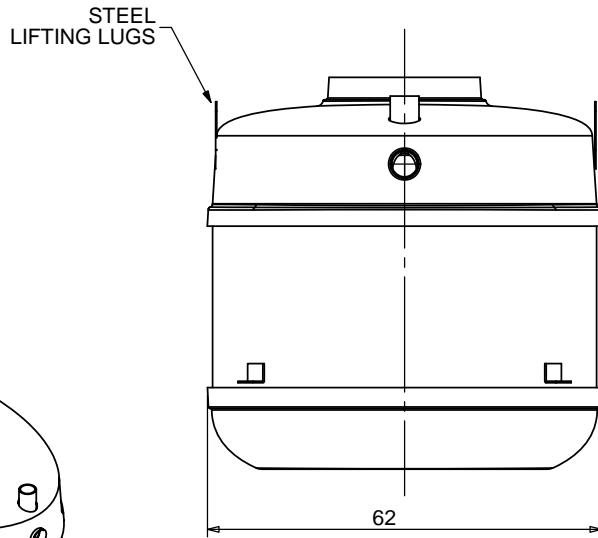
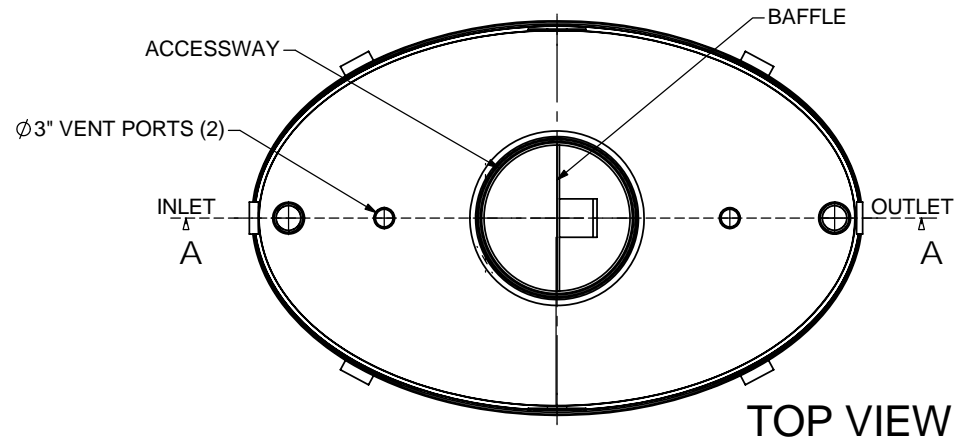
**NOTES:**

1. FOR GRAVITY APPLICATIONS ONLY.
2. ALL PROCEPTOR UNITS ARE MANUFACTURED WITH FIBERGLASS REINFORCED PLASTICS. PHYSICAL CHARACTERISTICS AND THICKNESS: POLYESTER RESIN AND E GLASS MINIMUM THICKNESS 1/4" WALL AND 3/8" TOP AND BOTTOM BOWLS.
3. ALL PROCEPTOR UNITS ARE TO BE INSTALLED IN ACCORDANCE WITH THE MANUFACTURERS INSTALLATION INSTRUCTION.
4. STANDARD PIPING IS SCH. 40 PVC.
5. GMC/OMC 500 - 3000 UNITS COME STANDARD WITH 4" INLET AND OUTLET (OTHER PIPE SIZE OPTIONS AVAILABLE ON REQUEST).
6. EXTENSION COLLAR TO BE ORDERED TO MEET FINISHED GRADE, CUT ON SITE FOR FINAL ADJUSTMENT AND CAULKED WITH SIKAFLEX BY CONTRACTOR FOR WATERTIGHT SEAL.
7. COVERS AVAILABLE FOR H2O TRAFFIC LOADING, PEDESTRIAN LOADING OR ABOVE GROUND INSTALLATION.
8. CONSULT GREEN TURTLE FOR OTHER SIZES.
9. 30 YEAR WARRANTY AGAINST LEAKS, AND STRUCTURAL FAILURE.
10. U.S. PATENT #5,746,912; CDN PATENT #2,195,822

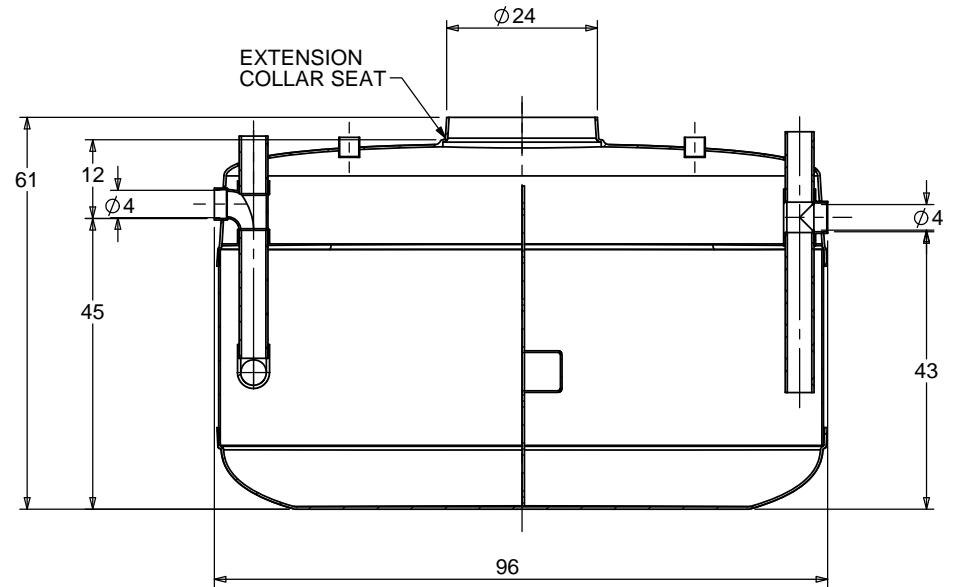
**SPECIFICATIONS**

PIPE SIZE: 4 INCH PVC SCH 40  
 INSTALLATION: BURIED  
 ACCESSWAY SIZE: 24 INCHES

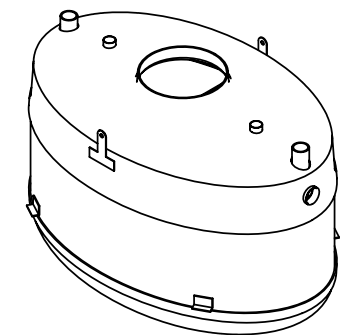
**OPTIONS**



**SIDE VIEW**



**SECTION A-A**



**ISOMETRIC VIEW**

TOTAL WET VOLUME:	750 GAL
MAX. GREASE CAPACITY:	410 GAL
MAX SOLIDS CAPACITY:	200 GAL

CONSULT LOCAL AUTHORITIES FOR MINIMUM SIZE OF SEPARATORS

TITLE: PROCEPTOR® F.O.G. SEPARATOR  
 GMC 750

ALL DIMENSIONS IN INCHES

PROJECT: WO:

NOTES:

REV	DATE	DRAWN
1		
2		
3	JUNE 13, 2005	L. SIMKINS
4	AUGUST 15, 2006	L. SIMKINS
5	JANUARY 4, 2007	L. SIMKINS
6	NOV. 25, 2008	L. SIMKINS
7	NOV. 5, 2009	L. SIMKINS
8	MAR 114, 2012	L. SIMKINS
9		
10	APRIL 07, 2017	

DRAWN BY: F. CHANDLER  
 DRAWN DATE 9/2/04

**Proceptor®**



SIZE	DWG. NO.	REV.
A	GMC 750	10
SCALE:1:30	DO NOT SCALE DRAWING	SHEET 1 OF 1