

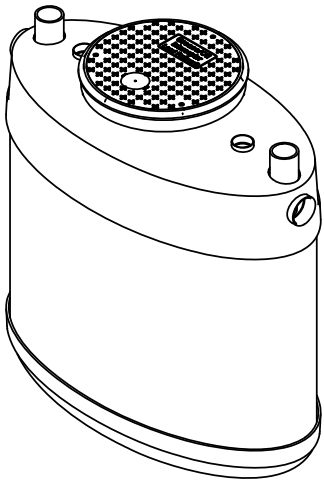
NOTES:

1. FOR GRAVITY APPLICATIONS ONLY.
2. ALL PROCEPTOR® UNITS ARE MANUFACTURED WITH FIBERGLASS REINFORCED PLASTICS. PHYSICAL CHARACTERISTICS AND THICKNESS: POLYESTER RESIN AND E GLASS MINIMUM THICKNESS 3/16" WALL AND 5/16" TOP AND BOTTOM BOWLS.
3. ALL PROCEPTOR® UNITS ARE TO BE INSTALLED IN ACCORDANCE WITH THE MANUFACTURERS INSTALLATION INSTRUCTION.
4. STANDARD PIPING IS SCH. 40 PVC.
5. GMC/OMC/SMC 50 - 300 UNITS COME STANDARD WITH 4" INLET AND OUTLET (OTHER PIPE SIZE OPTIONS AVAILABLE ON REQUEST).
6. EXTENSION COLLAR TO BE ORDERED TO MEET FINISHED GRADE, CUT ON SITE FOR FINAL ADJUSTMENT AND CAULKED WITH SIKAFLEX BY CONTRACTOR FOR WATERTIGHT SEAL.
7. COVERS AVAILABLE FOR H2O TRAFFIC LOADING, PEDESTRIAN LOADING OR ABOVE GROUND INSTALLATION.
8. CONSULT GREEN TURTLE™ FOR OTHER SIZES.
9. 30 YEAR WARRANTY AGAINST LEAKS, AND STRUCTURAL FAILURE.
10. U.S. PATENT #5,746,912; CDN PATENT #2,195,822

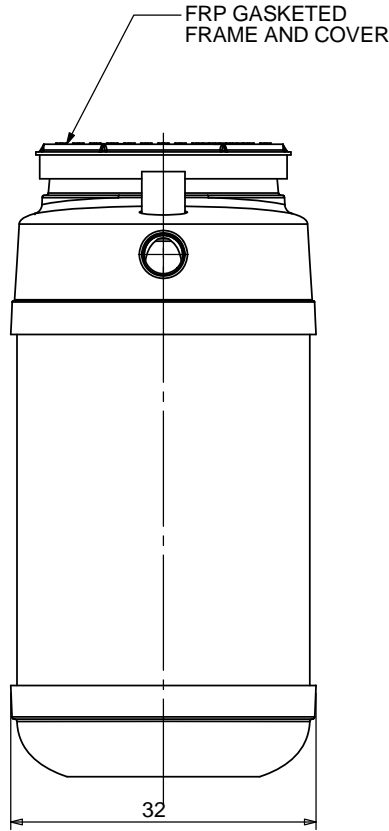
SPECIFICATIONS

PIPE SIZE: 4 INCH PVC SCH 40
 INSTALLATION: ABOVE GROUND
 ACCESSWAY SIZE: 24 INCHES

OPTIONS



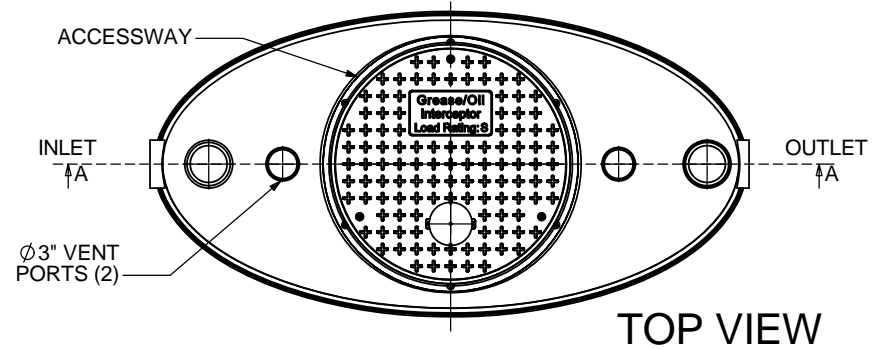
ISOMETRIC VIEW



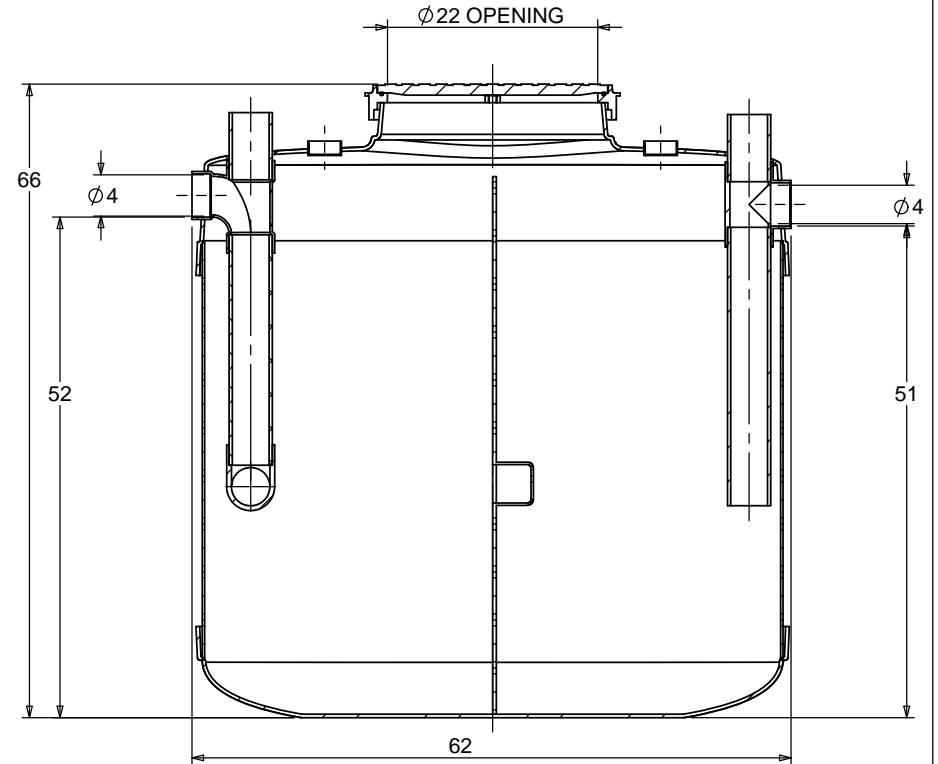
SIDE VIEW

TOTAL WET VOLUME:	300 GAL
MAX. OIL CAPACITY:	156 GAL
MAX SOLIDS CAPACITY:	103 GAL

CONSULT LOCAL AUTHORITIES FOR MINIMUM SIZE OF SEPARATORS



TOP VIEW



SECTION A-A

TITLE: PROCEPTOR® OIL SEPARATOR
 OMC 300

ALL DIMENSIONS IN INCHES

PROJECT: WO:

NOTES:

REV	DATE	DRAWN
1		
2		
3	1/2005	F. CHANDLER
4	OCT. 26, 2006	L. SIMKINS
5	JAN. 04, 2007	L. SIMKINS
6	NOV. 17, 2009	L. SIMKINS
7	MARCH 14, 2012	L. SIMKINS
8		
9	MARCH 31, 2017	
10		

DRAWN BY: F. CHANDLER

DRAWN DATE: 9/14/04

Proceptor®



SIZE **A** DWG. NO. **OMC 300**

REV. **9**

SCALE: 1:20 DO NOT SCALE DRAWING SHEET 1 OF 1