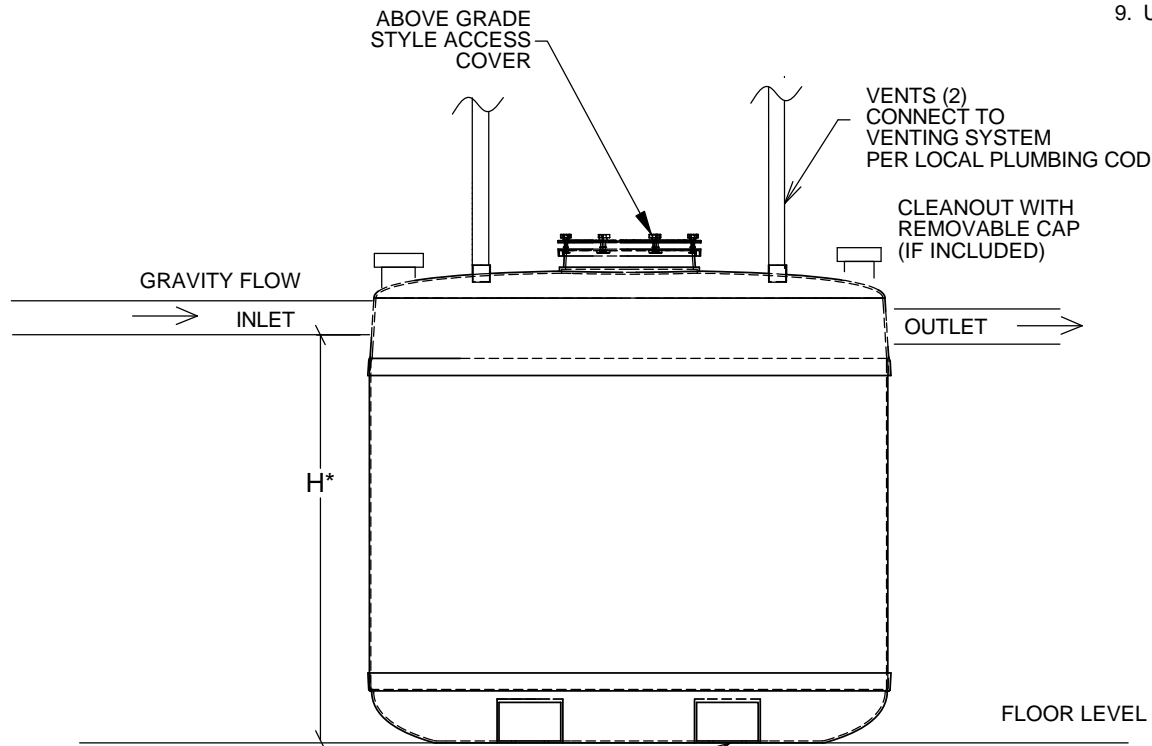


PROCEPTOR GMC / OMC SINGLE TANK ELLIPSE MODELS ABOVE GROUND INSTALLATION PROCEDURE

NOTES:

1. ENSURE FLOOR IS LEVEL, SMOOTH, AND IS ABLE TO SUPPORT THE WEIGHT OF THE TANK FULL OF WATER AT INSTALLATION LOCATION.
2. MOVE TANK INTO POSITION. CHECK FIT AND LOCATION OF INLET, OUTLET AND VENT PIPING WHERE APPLICABLE.
3. ENSURE MANWAY IS ACCESSIBLE FOR COVER REMOVAL AND PUMPOUT AS WELL AS ACCESS TO THE INTERIOR. ENSURE ALL OTHER PORTS ARE ACCESSIBLE FOR INSTALLATION AND MAINTENANCE. ALARM PROBES SHOULD HAVE SUFFICIENT HEADSPACE FOR REMOVAL TO CALIBRATE OR SERVICE.
4. ENSURE AREA AROUND TANK IS HEATED TO PREVENT FREEZING OF WATER IN TANK AND PIPES.
5. THE STABILIZING SUPPORTS MAY BE AFFIXED TO FLOOR IF DESIRED.
6. SEISMIC RESTRAINTS TO BE PROVIDED BY OTHERS IF REQUIRED BY LOCAL AUTHORITIES
7. INSTALL INLET, OUTLET AND VENT PIPES (IF REQUIRED).
8. PRIOR TO COMMENCING OPERATIONS, FILL TANK WITH CLEAN WATER.
9. US PATENT # 5,746,912; CDN PATENT # 2,195,822



LEA (ABOVE GROUND STABILIZERS REQUIRED ON SOME MODELS) SEE TABLE

(PROCEPTOR SEPARATORS MUST BE INSTALLED IN ACCORDANCE WITH ALL RELEVANT FEDERAL, PROVINCIAL/STATE, AND LOCAL CODES INCLUDING LOCAL PLUMBING CODE)

* ACTUAL HEIGHT MAY VARY.

PROCEPTOR SEPARATOR MODEL	INLET INVERT TO TANK BOTTOM (H)	WEIGHT OF TANK FULL OF WATER
MC 50	12"	550
MC 100	20"	985
MC 150	28"	1445
MC 200	36"	1890
MC 250	44"	2335
MC 300	52"	2780
MC 500	32"	4690
MC 750-LEA*	45"	6885
MC 1000(1)-LEA*	59"	9050
MC 1300-LEA*	74"	11650
MC 1500(1)-LEA*	85"	13380

* WITH STABILIZERS TO PREVENT TIPPING

TITLE: PROCEPTOR SEPARATOR INSTALLATION PROCEDURE FOR ABOVE GROUND MC MODELS ALL DIMENSIONS IN INCHES		REV	DATE	DRAWN
PROJECT: WO:		1	MARCH 13, 2006	L. SIMKINS
OPTIONS:		2	MARCH 16, 2006	L. SIMKINS
ALARM		3	JULY 11, 2006	L. SIMKINS
SUCTION		4	OCTOBER 24, 2006	L. SIMKINS
DOUBLE WALL		5	DEC. 8, 2006	L. SIMKINS
		6	AUGUST 13, 2009	L. SIMKINS
		7	JAN 21, 2011	L. SIMKINS
		8	NOVEMBER 21, 2011	L. SIMKINS
		9	JAN. 08, 2013	S. MANGAT
		10		
DRAWN BY: L. SIMKINS		SIZE	DWG. NO.	
DRAWN DATE 11/23/5		A	INSTALL MC ABOVE GROUND	
		SCALE:1:35	DO NOT SCALE DRAWING	SHEET 1 OF 1
				REV. 9

Proceptor[®]
by greenturtle[®]
US 877 428 8187 CAN 877 966 9444
www.greenturtletech.com