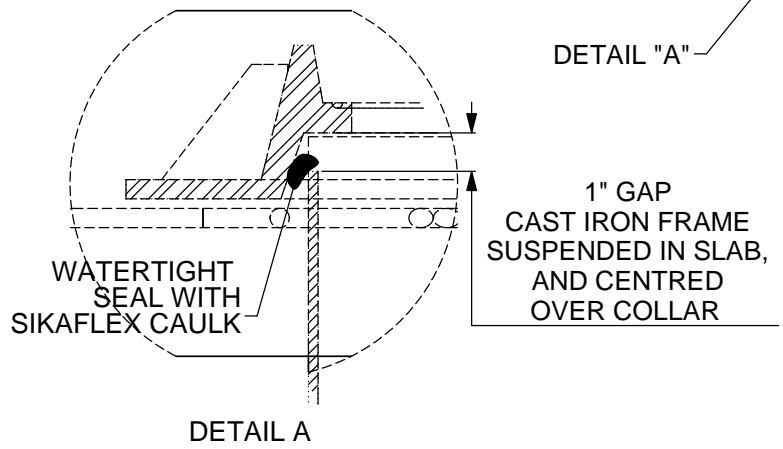
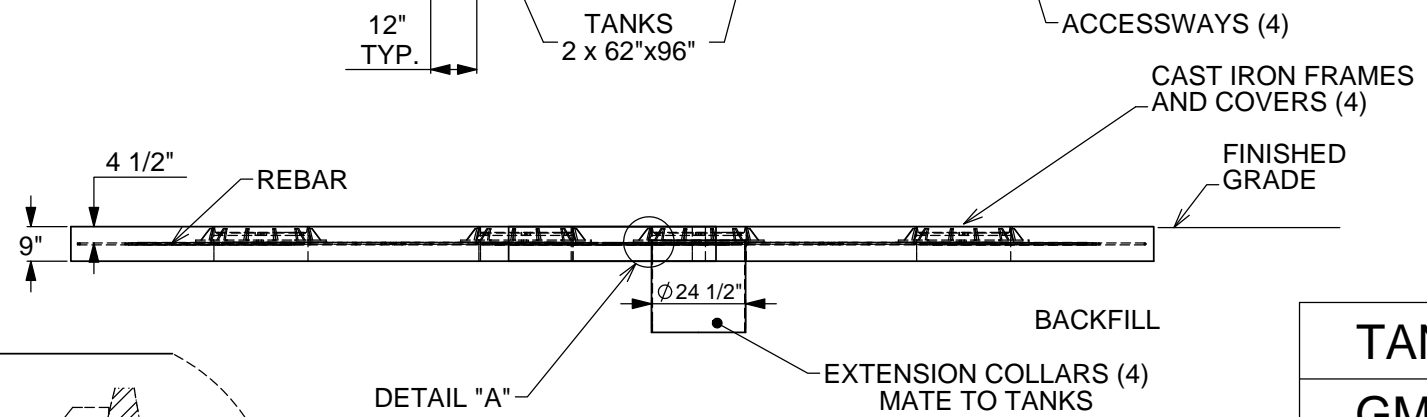


- NOTES:
- CONCRETE TO BE 28 DAY COMPRESSIVE STRENGTH TO 4000 PSI.
 - NO. 4 REBAR ($\phi 1/2"$) GRADE 60 STEEL PER ASTM A615; CONNECTED WITH TIE WIRE.
 - REBAR TO BE 2.5" FROM FACE OF CONCRETE.
 - REBAR SPACING 12" GRID, 4" SPACING AROUND ACCESS OPENINGS.
 - ALL PENETRATIONS TO BE SLEEVED OR HAVE SLIP CONNECTIONS.
 - MINIMUM 18" FROM TOP OF SLAB TO TOP OF TANK.
 - EXTEND COMPACTED BACKFILL A MINIMUM 3 FT. BEYOND ALL SIDES OF TANK.



TANK MODELS
 GMC 2000 UPC
 GMC 2600 UPC

greenturtle®

US 877 428 8187 CAN 877 966 9444
 www.greenturtletech.com

TITLE: H2O TRAFFIC LOADING SLAB FOR DUAL ELLIPTICAL TANK ALL DIMENSIONS ARE IN INCHES UNLESS OTHERWISE SHOWN.		REV	DATE	DRAWN
PROJECT: WO:		1	OCTOBER 6, 2010	L. SIMKINS
✓ CONFIGURATION:		2	JULY 02, 2013	S. MANGAT
		3		
		4		
		5		
		6		
		7		
		8		
		9		
		10		
DRAWN BY: L. SIMKINS				
DRAWN DATE: OCTOBER 1, 2008				

SIZE	DWG. NO.	REV.
A	DOUBLE SLAB DUAL ACCESS	2