

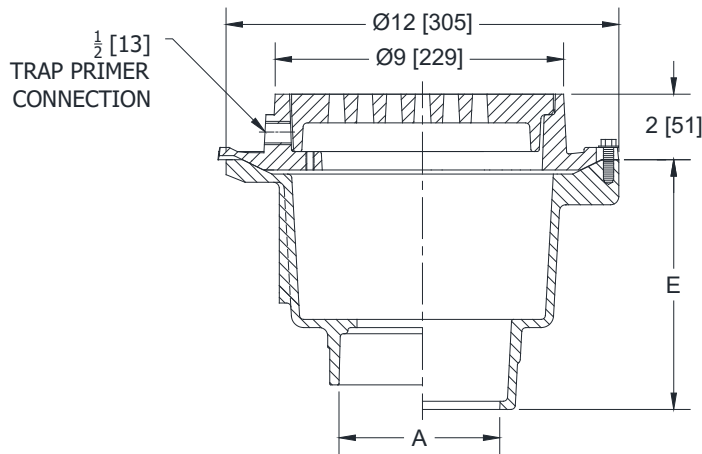


Z511
9 [229] DIAMETER HEAVY-DUTY DRAIN W/
INTEGRAL TRAP PRIMER CONNECTION

SPECIFICATION SHEET

TAG _____

Design and Dimensional Data (inches and [mm]) are Subject to Manufacturing Tolerances and Change Without Notice



'A' Pipe Size In. [mm]	Approx. Wt. Lbs. [kg]	Grate Open Area Sq. In. [cm ²]
2, 3, 4, [51, 76, 102]	40 [18]	18 [116]

ENGINEERING SPECIFICATION: ZURN Z511

9 [229mm] Diameter top drain, Dura-Coated cast iron deep sump body with bottom outlet, seepage pan, and combination membrane flashing clamp and frame with integral trap primer and plug for heavy-duty ductile iron deep flange slotted grate.

OPTIONS (Check/specify appropriate options)

PIPE SIZE

- 3, 4 [76, 102]
- 3, 4 [76, 102]
- 3, 4 [76, 102]
- 2, 3, 4 [51, 76, 102]

(specify size/type) **OUTLET**

- ___ IC Inside Caulk
- ___ IG Inside Gasket
- ___ IP Threaded
- ___ NL Neo-Loc

'E' BODY HT. DIM.

- 7-5/8 [194]
- 7-5/8 [194]
- 7-5/8 [194]
- 6-7/8 [175]

PREFIXES

- ___ Z D.C.C.I. Body and Top*
- ___ ZN D.C.C.I. Body with Polished Nickel Bronze Top (Add 3/16 [5]) to 2 [51] Dim. and 3/4 [19] to 9 [229] Dim.)

SUFFIXES

- | | |
|---|---|
| ___ -AR Acid Resistant Epoxy Coated Cast Iron | ___ -TC Neo-Loc Test Cap Gasket
(2, 3, 4 [51, 76, 102] NL Bottom Outlet Only) |
| ___ -BT Bell Trap | ___ -TS Top Secured with Slotted Screws |
| ___ -F Extension Frame (Specify Total Height Req'd.) | ___ -V Backwater Valve (For 3 & 4 [76 & 102] IC & IP or 3 [76] IG Connections only) |
| ___ -G Galvanized Cast Iron | ___ -VP Vandal-Proof Secured Top |
| ___ -HP Heel-Proof Grate | ___ -W Winter Closure Plug (For 3 & 4 [76 & 102] IC & IP or 3 [76] IG Connections only) |
| ___ -J Auxiliary Inlet Connection
(Specify 1-1/2 [38] or 2 [51] IP, Number & Location) | ___ -Y Sediment Bucket |
| ___ -S Secondary Strainer | |
| ___ -SC Solid Cover w/ Lift Handle | |
| ___ -SG Solid Gasketed Cover | |

* Regularly furnished unless otherwise specified

⚠ WARNING: Cancer and Reproductive Harm - www.P65Warnings.ca.gov

⚠ ADVERTENCIA: Cáncer y daño reproductivo - www.P65Warnings.ca.gov

⚠ AVERTISSEMENT: Cancer et effets néfastes sur la reproduction - www.P65Warnings.ca.gov

Zurn Industries, LLC | Specification Drainage Operation
1801 Pittsburgh Avenue, Erie, PA 16502, Ph. 855.663.9876

In Canada | Zurn Industries Limited
7900 Goreway Drive, Unit 10, Brampton, Ontario L6T 5W6, Ph. 877.892.5216

www.zurn.com

Rev. L
Date: 05/15/2024
C.N. No. 146062
Patent zurn.com/patents
Prod. | Dwg. No. Z511