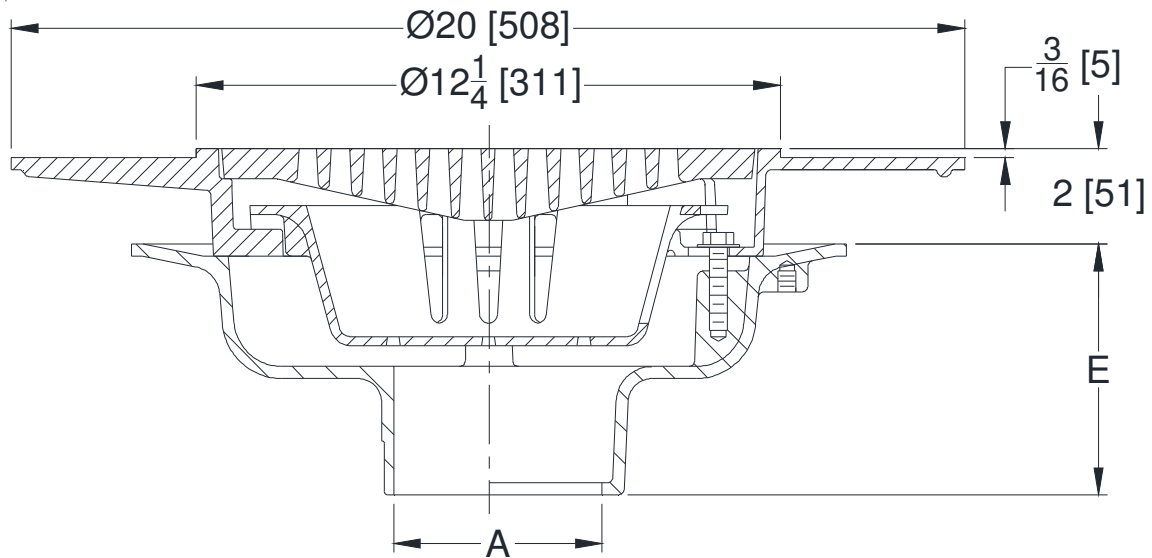


**Z532****12-1/4 [311] DIAMETER WIDE FLANGE
HEAVY-DUTY FLOOR DRAIN**

SPECIFICATION SHEET

TAG _____

Dimensional Data (inches and [mm]) are Subject to Manufacturing Tolerances and Change Without Notice



A- Pipe Size In [mm]	Approx. Wt. Lbs. [kg]	Grate Open Area Sq. In. [cm ²]
2,3,4,6 [51,76,102,152]	54 [24]	30 [194]

ENGINEERING SPECIFICATION: ZURN Z532

12-1/4" [311 mm] Diameter wide flange floor drain, Dura-Coated cast iron body with bottom outlet, seepage pan and combination membrane flashing clamp and frame with latex troweling flange for heavy-duty slotted duresist grate, with suspended sediment bucket.

OPTIONS (Check/specify appropriate options)**PIPE SIZE**(Specify size/type) **OUTLET****'E' BODY HT. DIM.**

3,4,6 [76,102,152]	_____	IC	Inside Caulk	5-1/4 [133]
3,4,6 [76,102,152]	_____	IG	Inside Gasket	5-1/4 [133]
2,3,4,6 [51,76,102,152]	_____	NH	No-Hub	5-1/4 [133]
2,3,4 [51,76,102]	_____	NL	Neo-Loc	4-1/2 [114]

PREFIXES

_____ Z	D.C.C.I. Body and Top*
_____ ZN	D.C.C.I. Body with Polished Nickel Bronze Top

SUFFIXES

_____ -AR	Acid Resistant Epoxy Coating
_____ -G	Galvanized Cast Iron
_____ -HP	Heel-Proof Grate
_____ -TC	Neo-Loc Test Cap Gasket (2,3,4 [51,76,102] NL Bottom Outlet Only)
_____ -TS	Top Secured with Slotted Screws
_____ -VP	Vandal-Proof Secured Top

* Regularly furnished unless otherwise specified.

Zurn Industries, LLC | Specification Drainage Operation
1801 Pittsburgh Avenue, Erie, PA 16502, Ph. 855-663-9876, Fax 814-454-7929
In Canada | **Zurn Industries Limited**
7900 Goreway Drive, Unit 10, Brampton, Ontario L6T 5W6, Ph. 877-892-5216
www.zurn.com

Rev. J
Date: 10/16/2019
C.N. No. 141246
Prod. | Dwg. No. Z532