



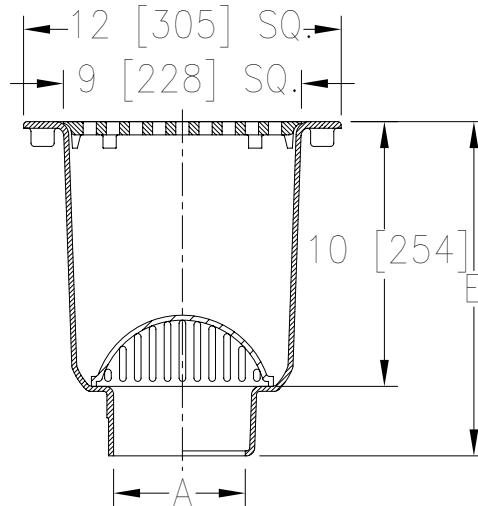
Z1902

12 X 12 [305 X 305] A.R.E. SANI-FLOR RECEPTOR w/
10 [254] SUMP DEPTH

SPECIFICATION SHEET

TAG _____

Design and Dimensional Data (inches and [mm]) are Subject to Manufacturing Tolerances and Change Without Notice



'A' Pipe Size In. [mm]	Approx. Wt. Lbs. [kg]	Grate Open Area Sq. In. [cm ²]
2, 3, 4 [51, 76, 102]	36 [13]	31 [200]

ENGINEERING SPECIFICATION: ZURN Z1902

Sani-Flor Receptor 12" x 12" x 10" [305mm x 305mm x 254mm] Deep cast iron body and square, light-duty grate with 1/2" [13mm] slotted openings, white acid resisting porcelain enamel interior and top, complete with white ABS anti-splash interior bottom dome strainer.

OPTIONS (Check/specify appropriate options)

PIPE SIZE

- 3, 4 [76, 102]
- 2, 3, 4 [51, 76, 102]
- 2, 3, 4 [51, 76, 102]

(Specify size/type) OUTLET

- ___ IC Inside Caulk
- ___ NH No-Hub
- ___ NL Neo-Loc

'E' BODY HT. DIMENSION.

Z	ZN/ZS
12-5/8 [321]	13-1/8 [333]
12-5/8 [321]	13-1/8 [333]
12 [305]	12-1/2 [318]

PREFIXES

- ___ Z Cast Iron Body with White A.R.E. Interior*
- ___ ZN Cast Iron Body with White A.R.E. Interior, 12-1/2 [318] Square N.B. Frame and Full Grate w/ 1/2 [13] Square Openings (Add 1/2 [13] to 12 [305] Dim.)
- ___ ZS Cast Iron Body with White A.R.E. Interior, 12-1/2 [317] Square Stainless Steel Frame and Full Grate with 1/2 [13] Square Openings (Add 1/2 [13] to 12 [305] Dim.)

SUFFIXES

- | | |
|---|---|
| ___ -DX Dex-O-Tex Flange (ZN Only) | ___ -4 Full Grate w/ Center Opening (2 [51] Dia. for Z) and (3-1/32 [77] Square for ZN & ZS |
| ___ -HD Stainless Steel Frame w/ Extra-Heavy Duty Stainless Steel Grate (ZS Only) | ___ -6 Grate w/ 6 [152] Dia. x 6 [152] High Funnel |
| ___ -HP Heel-Proof Grate (ZN Only) | ___ -8 Grate w/ 8-7/8 x 3-5/8 x 3-3/4 [225 x 92 x 95] High Oval Funnel |
| ___ -K Anchor Flange | ___ -11 Vandal-Proof Secured Top (ZN & ZS Only) |
| ___ -KC Anchor Flange w/ Seepage Holes and Clamp Collar | ___ -15 Solid Loose Set Cover (Z & ZN Only) |
| ___ -LD (Less) Bottom Dome Strainer | ___ -19 Full Hinged Grate (ZN Only) |
| ___ -P 1/2 [13] Trap Primer Connection (See Z1023) | ___ -23 Aluminum Bucket |
| ___ -SA Stabilizer Assembly (See Z1903) | ___ -25 White A.R.C. Bucket |
| ___ -TC Neo-Loc Test Cap Gasket (2, 3, 4 [51, 76, 102] NL Bottom Outlet Only) | ___ -31 Stainless Steel Mesh Liner for Bucket |
| ___ VPS Vandal-Proof Strainer | ___ -32 Aluminum Dome Strainer |
| ___ -1 (Less) Grate | ___ -33 White A.R.C. Anti-Splash Bottom Dome Strainer |
| ___ -2 1/2 Grate | |
| ___ -3 3/4 Grate | |

* Regularly furnished unless otherwise specified.

⚠ WARNING: Cancer and Reproductive Harm - www.P65Warnings.ca.gov

⚠ ADVERTENCIA: Cáncer y daño reproductivo - www.P65Warnings.ca.gov

⚠ AVERTISSEMENT: Cancer et effets néfastes sur la reproduction - www.P65Warnings.ca.gov

Zurn Industries, LLC | Specification Drainage Operation
1801 Pittsburgh Avenue, Erie, PA 16502, Ph. 855.663.9876

In Canada | Zurn Industries Limited
7900 Goreway Drive, Unit 10, Brampton, Ontario L6T 5W6, Ph. 877.892.5216

www.zurn.com

Rev.	N
Date:	01/11/23
C.N. No.	144899
Patent	zurn.com/patents
Prod. Dwg. No.	Z1902