

INDEX PAGE for 2-1/2" Wide Grates / Covers

↕ - Click on "Item ID" to go to grate page, 'Back to Index' will return you to this page.

P880-AWG.....Wide Aluminum Wire Grate
P880-BZ.....Wide Bronze Decorative Grate
P880-G45.....Wide 45-Degree Plastic Grate
P880-G45-BZ.....Wide 45-Degree Bronze Grate
P880-G90.....Wide 90-Degree Plastic Grate
P880-G90-BZ.....Wide 90-Degree Bronze Grate
P880-POG.....Wide Polyethylene Grate
P880-SOG.....Wide Stainless Steel Decorative Grate
P880-SS45.....Wide 45-Degree Stainless Steel Grate
P880-SS90.....Wide 90-Degree Stainless Steel Grate
P880-SWBG-NS.....Non-Slip Stainless Steel Wire Grate
P880-SWGB90-NS.....90-Degree Non-Slip Stainless Steel Wire Grate



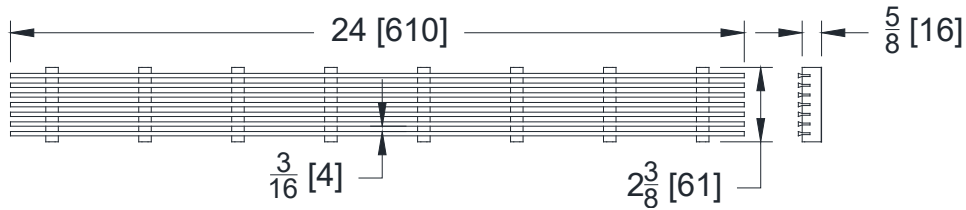
P880-AWG

2-3/8 [61] Wide Aluminum Wire Grate

Design and Dimensional Data (inches and [mm]) are Subject to Manufacturing Tolerances and Change Without Notice

[Back to Index](#)

Please Check ✓	Item No.	Part Number	Item I.D.
	1	94320-001	P880-AWG



AWG GRATE ENGINEERING SPECIFICATION: The Zurn P880-AWG Aluminum Wire Grate, is 2-3/8 inches wide x 24" long, weighing .60 lbs per linear foot. The grate has an open area of 15.00 square inches per linear foot, DIN Rating of Class A, ANSI Rating of Light-Duty and is ADA Compliant.

AWG - Aluminum Wire Grate	
Material:	Aluminum
DIN Rating:	Class A
Weight:	.60 lbs/ft. [0.9 kg/m]
Open Area:	15.00 in ² /ft. [318 cm ² /m]
ANSI Rating:	Light-Duty
Application:	Heel-Proof
Slot Width/Hole Size:	3/16" [4.8mm]
ADA:	Yes
H-20:	No
FAA:	No

⚠ WARNING: Cancer and Reproductive Harm - www.P65Warnings.ca.gov

⚠ ADVERTENCIA: Cáncer y daño reproductivo - www.P65Warnings.ca.gov

⚠ AVERTISSEMENT: Cancer et effets néfastes sur la reproduction - www.P65Warnings.ca.gov



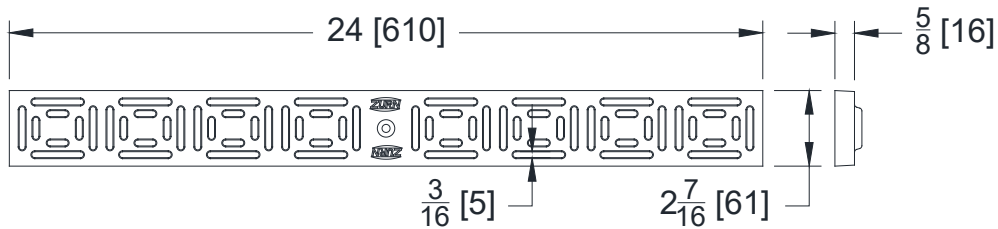
P880-BZ

2-7/16 [61] Wide Bronze Decorative Grate

Design and Dimensional Data (inches and [mm]) are Subject to Manufacturing Tolerances and Change Without Notice

[Back to Index](#)

Please Check ✓	Item No.	Part Number	Item I.D.
	2	64446-001	P880-BZ



BZ GRATE ENGINEERING SPECIFICATION: The Zurn P880-BZ Bronze Decorative Grate, is 2-7/16 inches wide by 24" inches long, weighing 3.0 lbs per linear foot. The grate has an open area of 6.14 square inches per linear foot, DIN Rating of Class A, ANSI Rating of Light-Duty and is ADA Compliant.

BZ - Bronze Decorative Grate	
Material:	Bronze
DIN Rating:	Class A
Weight:	3.0 lbs/ft. [4.5 kg/m]
Open Area:	6.14 in ² /ft. [130 cm ² /m]
ANSI Rating:	Light-Duty
Application:	Decorative Heel-Proof
Slot Width/Hole Size:	3/16" [4.8mm]
ADA:	Yes
H-20:	No
FAA:	No

⚠ WARNING: Cancer and Reproductive Harm - www.P65Warnings.ca.gov

⚠ ADVERTENCIA: Cáncer y daño reproductivo - www.P65Warnings.ca.gov

⚠ AVERTISSEMENT: Cancer et effets néfastes sur la reproduction - www.P65Warnings.ca.gov



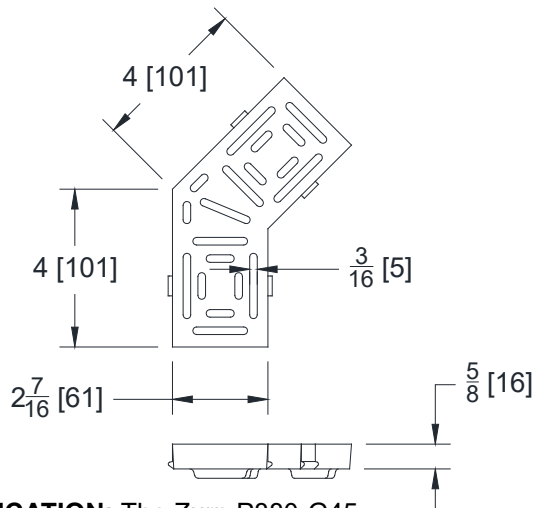
P880-G45

2-7/16 [61] Wide 45-Degree Plastic Grate

Design and Dimensional Data (inches and [mm]) are Subject to Manufacturing Tolerances and Change Without Notice

[Back to Index](#)

Please Check ✓	Item No.	Part Number	Item I.D.	Color
	3	64430-001	P880-G45	Grey
	3	64430-004	P880-G45-1685-C	Brick Red
	3	64430-005	P880-G45-284-U	Blue
	3	64430-002	P880-G45-466-U	Sand
	3	64430-003	P880-G45-White	White



G45 GRATE ENGINEERING SPECIFICATION: The Zurn P880-G45 45-Degree Plastic Grate, is 2-7/16 inches wide, weighing .30 lbs per linear foot. The grate has an open area of 5.28 square inches per linear foot, DIN Rating of Class A, ANSI Rating of Light-Duty and is ADA Compliant.

G45 - 45-Degree Plastic Grate	
Material:	Plastic
DIN Rating:	Class C
Weight:	.30 lbs/ft. [0.4kg/m]
Open Area:	5.28 in ² /ft. [112cm ² /m]
ANSI Rating:	Light-Duty
Application:	Decorative Heel-Proof
Slot Width/Hole Size:	3/16" [4.8mm]
ADA:	Yes
H-20:	No
FAA:	No

⚠ WARNING: Cancer and Reproductive Harm - www.P65Warnings.ca.gov

⚠ ADVERTENCIA: Cáncer y daño reproductivo - www.P65Warnings.ca.gov

⚠ AVERTISSEMENT: Cancer et effets néfastes sur la reproduction - www.P65Warnings.ca.gov



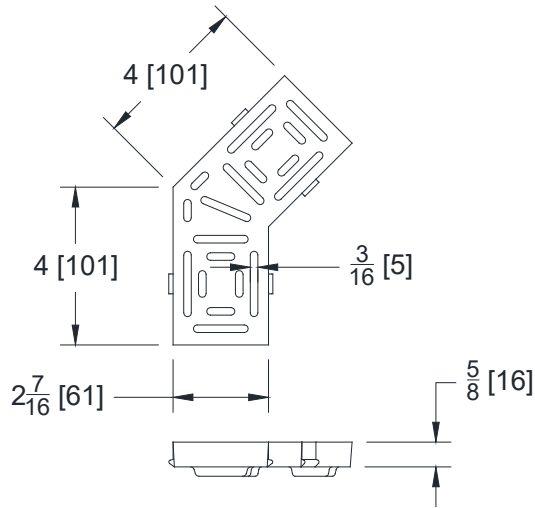
P880-G45-BZ

2-7/16 [61] Wide 45-Degree Bronze Grate

Design and Dimensional Data (inches and [mm]) are Subject to Manufacturing Tolerances and Change Without Notice

[Back to Index](#)

Please Check ✓	Item No.	Part Number	Item I.D.
	4	94054-001	P880-G45-BZ



G45-BZ GRATE ENGINEERING SPECIFICATION: The Zurn P880-G45-BZ 45-Degree Bronze Grate, is 2-7/16 inches wide, weighing .50 lbs per linear foot. The grate has an open area of 5.28 square inches per linear foot, DIN Rating of Class A, ANSI Rating of Light-Duty and is ADA Compliant.

G45-BZ - 45-Degree Bronze Grate	
Material:	Bronze
DIN Rating:	Class A
Weight:	.50 lbs/ft. [0.7kg/m]
Open Area:	5.28 in ² /ft. [112cm ² /m]
ANSI Rating:	Light-Duty
Application:	Decorative Heel-Proof
Slot Width/Hole Size:	3/16" [4.8mm]
ADA:	Yes
H-20:	No
FAA:	No

⚠ WARNING: Cancer and Reproductive Harm - www.P65Warnings.ca.gov

⚠ ADVERTENCIA: Cáncer y daño reproductivo - www.P65Warnings.ca.gov

⚠ AVERTISSEMENT: Cancer et effets néfastes sur la reproduction - www.P65Warnings.ca.gov



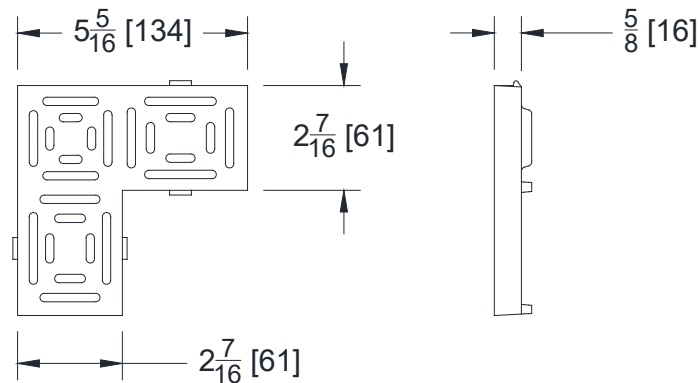
P880-G90

2-7/16 [61] Wide 90-Degree Plastic Grate

Design and Dimensional Data (inches and [mm]) are Subject to Manufacturing Tolerances and Change Without Notice

[Back to Index](#)

Please Check ✓	Item No.	Part Number	Item I.D.	Color
	5	64433-001	P880-G90	Grey
	5	64433-004	P880-G90-1685-C	Brick Red
	5	64433-005	P880-G90-284-U	Blue
	5	64433-002	P880-G90-466-U	Sand
	5	64433-003	P880-G90-White	White



G90 GRATE ENGINEERING SPECIFICATION: The Zurn P880-G90 90-Degree Plastic Grate, is 2-7/16 inches wide, weighing .60 lbs per linear foot. The grate has an open area of 10.22 square inches per linear foot, DIN Rating of Class A, ANSI Rating of Light-Duty and is ADA Compliant.

G90 - 90-Degree Plastic Grate	
Material:	Plastic
DIN Rating:	Class A
Weight:	.60 lbs/ft. [0.9kg/m]
Open Area:	10.22 in ² /ft. [216cm ² /m]
ANSI Rating:	Light-Duty
Application:	Decorative Heel-Proof
Slot Width/Hole Size:	3/16" [4.8mm]
ADA:	Yes
H-20:	No
FAA:	No

⚠ WARNING: Cancer and Reproductive Harm - www.P65Warnings.ca.gov

⚠ ADVERTENCIA: Cáncer y daño reproductivo - www.P65Warnings.ca.gov

⚠ AVERTISSEMENT: Cancer et effets néfastes sur la reproduction - www.P65Warnings.ca.gov



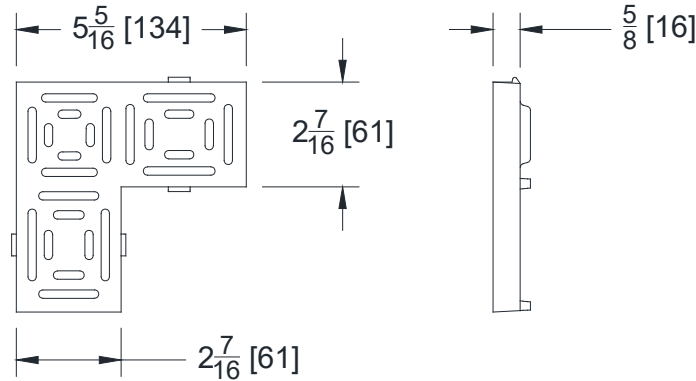
P880-G90-BZ

2-7/16 [61] Wide 90-Degree Bronze Grate

Design and Dimensional Data (inches and [mm]) are Subject to Manufacturing Tolerances and Change Without Notice

[Back to Index](#)

Please Check ✓	Item No.	Part Number	Item I.D.
	6	94055-001	P880-G90-BZ



G90-BZ GRATE ENGINEERING SPECIFICATION: The Zurn P880-G90-BZ 90-Degree Bronze Grate, is 2-7/16 inches wide, weighing .70 lbs per linear foot. The grate has an open area of 10.22 square inches per linear foot, DIN Rating of Class A, ANSI Rating of Light-Duty and is ADA Compliant.

G90-BZ - 90-Degree Bronze Grate	
Material:	Plastic
DIN Rating:	Class A
Weight:	.70 lbs/ft. [1.0kg/m]
Open Area:	10.22 in ² /ft. [216cm ² /m]
ANSI Rating:	Light-Duty
Application:	Decorative Heel-Proof
Slot Width/Hole Size:	3/16" [4.8mm]
ADA:	Yes
H-20:	No
FAA:	Yes

⚠ WARNING: Cancer and Reproductive Harm - www.P65Warnings.ca.gov

⚠ ADVERTENCIA: Cáncer y daño reproductivo - www.P65Warnings.ca.gov

⚠ AVERTISSEMENT: Cancer et effets néfastes sur la reproduction - www.P65Warnings.ca.gov



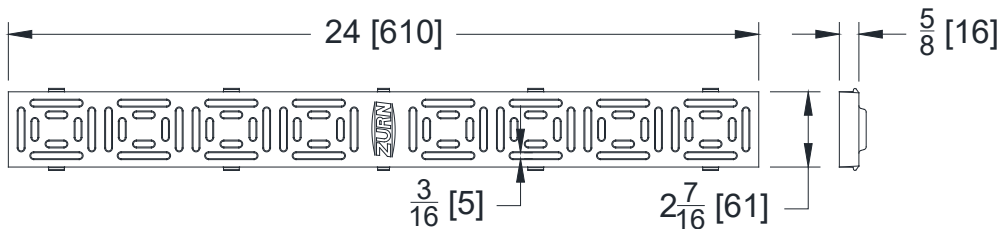
P880-POG

2-7/16 [61] Wide Polyethylene Grate

Design and Dimensional Data (inches and [mm]) are Subject to Manufacturing Tolerances and Change Without Notice

[Back to Index](#)

Please Check ✓	Item No.	Part Number	Item I.D.	Color
	7	64432-001	P880-POG	Grey
	7	64432-004	P880-POG-1685-C	Brick Red
	7	64432-005	P880-POG-284-U	Blue
	7	64432-002	P880-POG-466-U	Sand
	7	64432-003	P880-POG-White	White



POG GRATE ENGINEERING SPECIFICATION: The Zurn P880-POG

Heel-Proof Polyethylene Grate, is 2-7/16 inches wide, weighing .50 lbs per linear foot. The grate has an open area of 6.14 square inches per linear foot, DIN Rating of Class A, ANSI Rating of Light-Duty and is ADA Compliant.

POG - Heel-Proof Polyethylene Grate	
Material:	Polyethylene Plastic
DIN Rating:	Class A
Weight:	.50 lbs/ft. [0.7kg/m]
Open Area:	6.14 in ² /ft. [130cm ² /m]
ANSI Rating:	Light-Duty
Application:	Decorative Heel-Proof
Slot Width/Hole Size:	1/4" [6.3mm]
ADA:	Yes
H-20:	No
FAA:	No

⚠ WARNING: Cancer and Reproductive Harm - www.P65Warnings.ca.gov

⚠ ADVERTENCIA: Cáncer y daño reproductivo - www.P65Warnings.ca.gov

⚠ AVERTISSEMENT: Cancer et effets néfastes sur la reproduction - www.P65Warnings.ca.gov



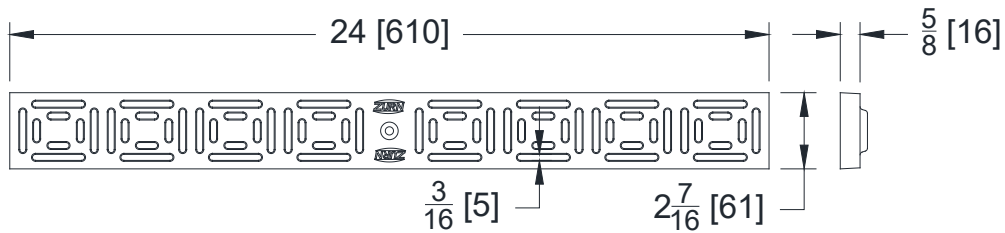
P880-SOG

2-7/16 [61] Wide Stainless Steel Decorative Grate

Design and Dimensional Data (inches and [mm]) are Subject to Manufacturing Tolerances and Change Without Notice

[Back to Index](#)

Please Check ✓	Item No.	Part Number	Item I.D.
	8	64446-001	P880-SOG



SOG GRATE ENGINEERING SPECIFICATION: The Zurn P880-SOG Stainless Steel Decorative Grate, is 2-7/16 inches wide, weighing 2.75 lbs per linear foot. The grate has an open area of 6.14 square inches per linear foot, DIN Rating of Class A, ANSI Rating of Light-Duty and is ADA Compliant.

SOG - Stainless Steel Decorative Grate	
Material:	Stainless Steel
DIN Rating:	Class A
Weight:	2.75 lbs/ft. [4.1kg/m]
Open Area:	6.14 in ² /ft. [130cm ² /m]
ANSI Rating:	Light-Duty
Application:	Decorative Heel-Proof
Slot Width/Hole Size:	3/16" [4.8mm]
ADA:	Yes
H-20:	No
FAA:	No

- ⚠ **WARNING:** Cancer and Reproductive Harm - www.P65Warnings.ca.gov
- ⚠ **ADVERTENCIA:** Cáncer y daño reproductivo - www.P65Warnings.ca.gov
- ⚠ **AVERTISSEMENT:** Cancer et effets néfastes sur la reproduction - www.P65Warnings.ca.gov



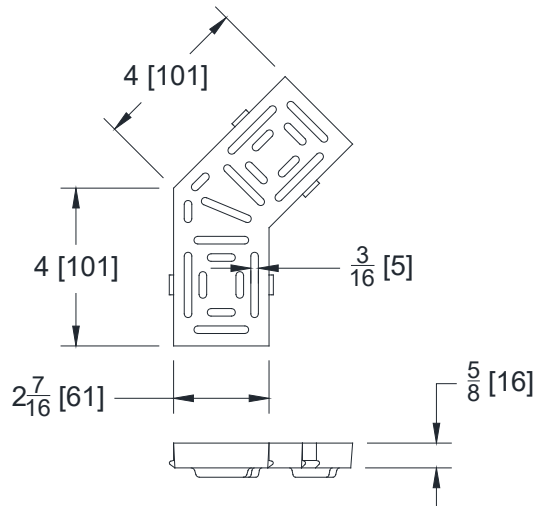
P880-SS45

2-7/16 [61] Wide 45-Degree Stainless Steel Grate

Design and Dimensional Data (inches and [mm]) are Subject to Manufacturing Tolerances and Change Without Notice

[Back to Index](#)

Please Check ✓	Item No.	Part Number	Item I.D.
	9	94054-002	P880-SS45



SS45 GRATE ENGINEERING SPECIFICATION: The Zurn P880-SS45 45-Degree Stainless Steel Grate, is 2-7/16 inches wide, weighing .40 lbs per linear foot. The grate has an open area of 5.25 square inches per linear foot, DIN Rating of Class A, ANSI Rating of Light-Duty and is ADA Compliant.

SS45 - 45-Degree Stainless Steel Grate	
Material:	Stainless Steel
DIN Rating:	Class A
Weight:	.40 lbs/ft. [0.6kg/m]
Open Area:	5.25 in ² /ft. [111cm ² /m]
ANSI Rating:	Light-Duty
Application:	Decorative Heel-Proof
Slot Width/Hole Size:	3/16" [4.8mm]
ADA:	Yes
H-20:	No
FAA:	No

⚠ WARNING: Cancer and Reproductive Harm - www.P65Warnings.ca.gov

⚠ ADVERTENCIA: Cáncer y daño reproductivo - www.P65Warnings.ca.gov

⚠ AVERTISSEMENT: Cancer et effets néfastes sur la reproduction - www.P65Warnings.ca.gov

Page 9 of 12

Zurn Industries, LLC | Specification Drainage Operation
1801 Pittsburgh Avenue, Erie, PA 16502, Ph. 855.663.9876

In Canada | Zurn Industries Limited
7900 Goreway Drive, Unit 10, Brampton, Ontario L6T 5W6, Ph. 877.892.5216

www.zurn.com

Rev. C
Date: 10/07/24
C.N. No. 146268
Form # FT964



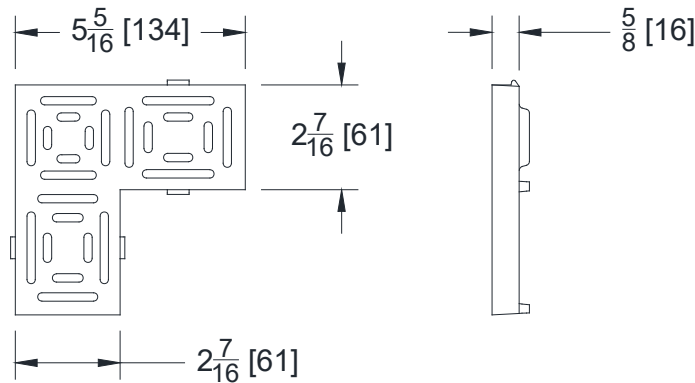
P880-SS90

2-7/16 [61] Wide 90-Degree Stainless Steel Grate

Design and Dimensional Data (inches and [mm]) are Subject to Manufacturing Tolerances and Change Without Notice

[Back to Index](#)

Please Check ✓	Item No.	Part Number	Item I.D.
	10	94055-002	P880-SS90



SS90 GRATE ENGINEERING SPECIFICATION: The Zurn P880-SS90 90-Degree Stainless Steel Grate, is 2-7/16 inches wide, weighing .60 lbs per linear foot. The grate has an open area of 10.22 square inches per linear foot, DIN Rating of Class A, ANSI Rating of Light-Duty and is ADA Compliant.

SS90- 90-Degree Stainless Steel Grate	
Material:	Stainless Steel
DIN Rating:	Class A
Weight:	.60 lbs/ft. [0.9kg/m]
Open Area:	10.22 in ² /ft. [216cm ² /m]
ANSI Rating:	Light-Duty
Application:	Decorative Heel-Proof
Slot Width/Hole Size:	3/16" [4.8mm]
ADA:	Yes
H-22:	No
FAA:	No

⚠ WARNING: Cancer and Reproductive Harm - www.P65Warnings.ca.gov

⚠ ADVERTENCIA: Cáncer y daño reproductivo - www.P65Warnings.ca.gov

⚠ AVERTISSEMENT: Cancer et effets néfastes sur la reproduction - www.P65Warnings.ca.gov



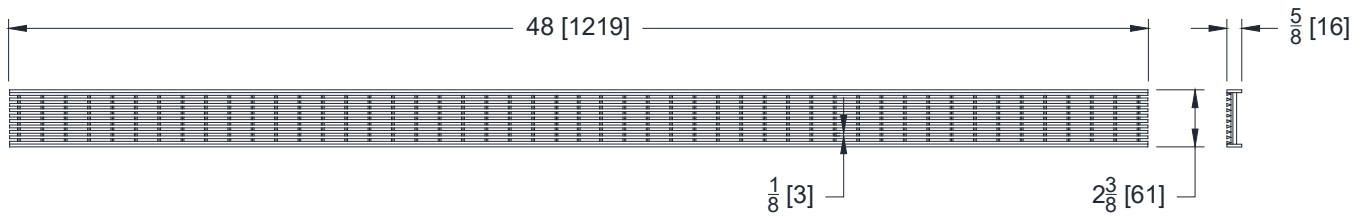
P880-SWG-B-NS

2-3/8 [61] NON-SLIP STAINLESS STEEL WIRE GRATE

Design and Dimensional Data (inches and [mm]) are Subject to Manufacturing Tolerances and Change Without Notice

[Back to Index](#)

Please Check ✓	Item No.	Part Number	Item I.D.
	11	321195	P880-SWBG-NS



SWBG-NS GRATE ENGINEERING SPECIFICATION: The Zurn P880-SWBG-NS Stainless Steel Wire Grate, is 2-3/8 inches wide, weighing 1.038 lbs per linear foot. The grate has an open area of 12.50 square inches per linear foot, DIN Rating of Class B, ANSI Rating of Medium-Duty and is ADA Compliant.

SWBG-NS Degree Stainless Steel Grate	
Material:	Stainless Steel
DIN Rating:	Class B
Weight:	1.038 lbs/ft. [1.5kg/m]
Open Area:	12.50 in ² /ft. [265cm ² /m]
ANSI Rating:	Medium-Duty
Application:	Decorative Heel-Proof
Slot Width/Hole Size:	1/8" [3.18mm]
ADA:	Yes
H-20:	No
FAA:	No

⚠ **WARNING:** Cancer and Reproductive Harm - www.P65Warnings.ca.gov

⚠ **ADVERTENCIA:** Cáncer y daño reproductivo - www.P65Warnings.ca.gov

⚠ **AVERTISSEMENT:** Cancer et effets néfastes sur la reproduction - www.P65Warnings.ca.gov



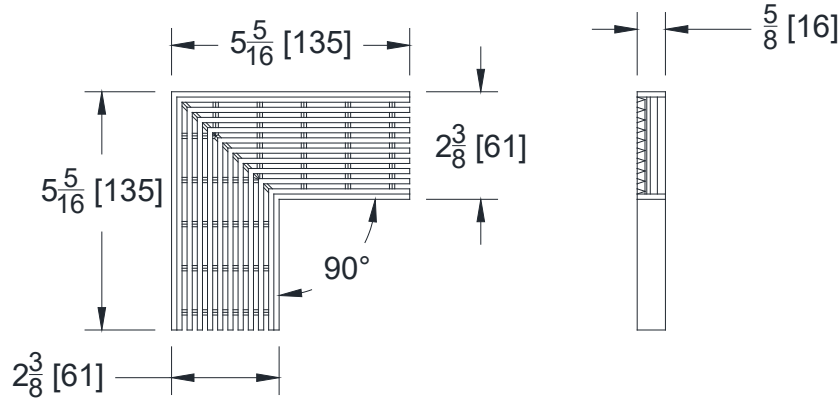
P880-SWGB90-NS

2-3/8 [61] 90-Degree Non-Slip Stainless Steel Wire Grate

Design and Dimensional Data (inches and [mm]) are Subject to Manufacturing Tolerances and Change Without Notice

[Back to Index](#)

Please Check ✓	Item No.	Part Number	Item I.D.
	12	321202	P880-SWGB90-NS



SWGB90-NS GRATE ENGINEERING SPECIFICATION: The Zurn P880-SWGB90-NS Stainless Steel Wire Grate, is 2-3/8 inches wide, weighing 1.590 lbs per linear foot. The grate has an open area of 19.76 square inches per linear foot, DIN Rating of Class B, ANSI Rating of Medium-Duty and is ADA Compliant.

SWBG-NS Degree Stainless Steel Grate	
Material:	Stainless Steel
DIN Rating:	Class B
Weight:	1.590 lbs/ft. [2.366 kg/m]
Open Area:	19.76 in ² /ft [418 cm ² /m]
ANSI Rating:	Medium-Duty
Application:	Decorative Heel-Proof
Slot Width/Hole Size:	1/8" [3.18mm]
ADA:	Yes
H-20:	No
FAA:	No

⚠ **WARNING:** Cancer and Reproductive Harm - www.P65Warnings.ca.gov

⚠ **ADVERTENCIA:** Cáncer y daño reproductivo - www.P65Warnings.ca.gov

⚠ **AVERTISSEMENT:** Cancer et effets néfastes sur la reproduction - www.P65Warnings.ca.gov