



# Z1902-RL

12 x 12 x 10 [305 x 305 x 254] REPLACEMENT FLOOR SINK LINER

SPECIFICATION SHEET

TAG \_\_\_\_\_

Design and Dimensional Data (inches and [ mm ]) are Subject to Manufacturing Tolerances and Change Without Notice

**ENGINEERING SPECIFICATION: ZURN Z1902-RL**  
12 x 12 x 10 [305 x 305 x 254] deep, 18 gage, all type 304 (CF8) fabricated stainless steel replacement floor sink liner, with internal pipe gasket seal, light-duty slotted, loose set grate and perforated removable dome strainer

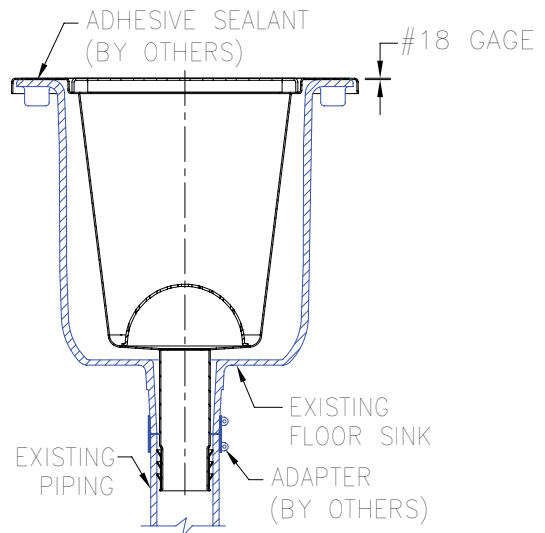
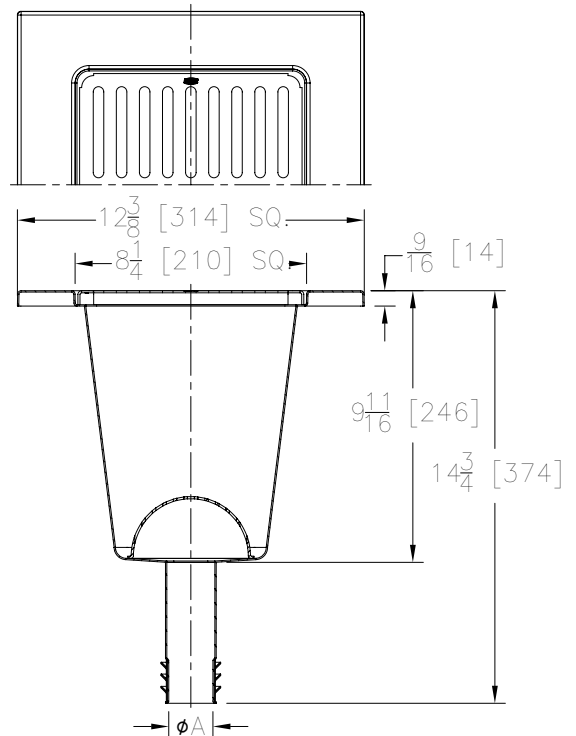
Approx. Wt. Lbs. [kg]	Grate Open Area Sq. In. [cm2]
8 [4]	21.7 [140]

**OPTIONS** (Check/specify appropriate options)

**PIPE SIZE (ØA)**  
2-3-4 [51-76-102]

**PREFIXES**  
\_\_\_ Z All Type 304 (CF8) Fabricated Stainless Steel\*

**SUFFIXES**  
\_\_\_ -1 Less Grate  
\_\_\_ -2 1/2 Grate  
\_\_\_ -3 3/4 Grate  
\_\_\_ -Y Sediment Bucket



\* Regularly furnished unless otherwise specified

**⚠ WARNING: Cancer and Reproductive Harm - [www.P65Warnings.ca.gov](http://www.P65Warnings.ca.gov)**

**⚠ ADVERTENCIA: Cáncer y daño reproductivo - [www.P65Warnings.ca.gov](http://www.P65Warnings.ca.gov)**

**⚠ AVERTISSEMENT: Cancer et effets néfastes sur la reproduction - [www.P65Warnings.ca.gov](http://www.P65Warnings.ca.gov)**

Zurn Industries, LLC | Specification Drainage Operation  
1801 Pittsburgh Avenue, Erie, PA 16502, Ph. 855.663.9876

In Canada | Zurn Industries Limited  
7900 Goreway Drive, Unit 10, Brampton, Ontario L6T 5W6, Ph. 877.892.5216

[www.zurn.com](http://www.zurn.com)

Rev. C  
Date: 01/11/23  
C.N. No. 144899  
Patent [zurn.com/patents](http://zurn.com/patents)  
Prod. | Dwg. No. Z1902-RL