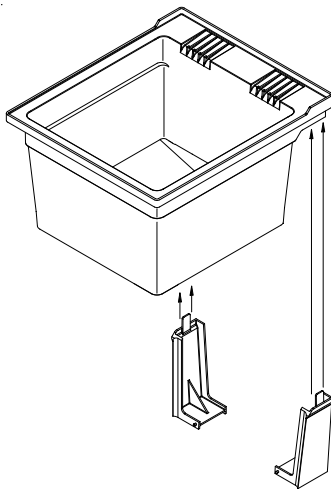
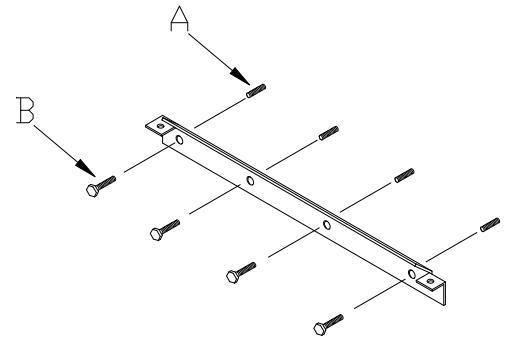
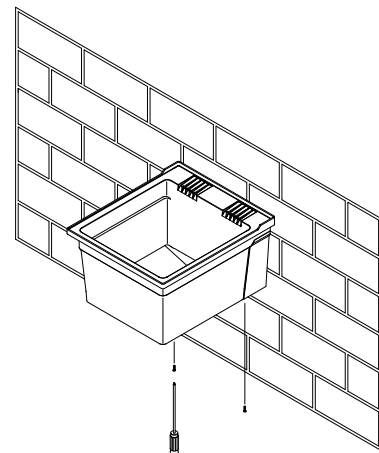


Dimensional data (inches and [mm]) are subject to manufacturing tolerances and change without notice.

Set the wall-mount bracket against the wall, making sure it is level, and mark the hole positions. The holes will be 2-1/2" [64mm] below the top of the back of the tub. Drill the four holes for the 1/4" [6mm] diameter anchor inserts (A). Push the plastic anchors into the holes in the wall. Make sure the wall is of a material that is sufficient to hold the anchors once the tub is attached and full of water. Concrete walls are recommended. If the wall is not concrete, the floor-mounted model (MS-2620-F) is recommended. Mount the bracket to the wall using the four #12 x 1-1/4" phillips pan head bracket screws (B).



Attach the filler plates to the back of the tub as shown. The tongue on top of the filler plate should fit into the groove under the backside of the tub. The attachment pins on the bottom of the filler plates will align with the holes in the tub. Note that there is a left and right filler plate. If they are not used on the correct side the pins will not align with the holes. The filler plate may need to be tapped with a hammer to push the pin into the hole completely.



Hang the backside of the tub on the tapered top of the bracket so that the tub is centered on the bracket. Align the remaining two holes in the bracket with the two plastic bosses on the underside of the back of the tub. Attach the tub to the bracket using the two #8 x 5/8" phillips button head screws. This must be done from the underside of the tub.

Warranty

No warranty is implied or given. Zurn Light Commercial shall not be responsible for any labor charges or any loss, injury or damages whatsoever, including incidental or consequential damages. Zurn Light Commercial agrees to repair or replace any part or parts which examination, by an authorized Zurn Light Commercial representative, proves to be defective in workmanship or material, within one year from date of purchase. This guarantee does not include the repair or replacement required because of misuse, abuse, or excessive wear and tear. Repairs made by anyone other than a designated representative relieves Zurn Light Commercial of further liability under this guarantee.



⚠️ WARNING: Cancer and Reproductive Harm - www.P65Warnings.ca.gov
⚠️ ADVERTENCIA: Cáncer y daño reproductivo - www.P65Warnings.ca.gov
⚠️ AVERTISSEMENT: Cancer et effets néfastes sur la reproduction - www.P65Warnings.ca.gov