

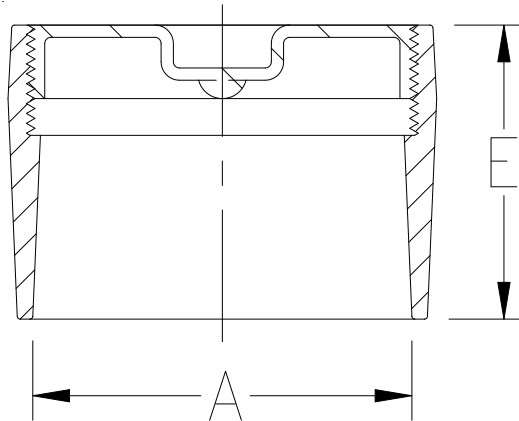


Z1440
CLEANOUT FERRULE WITH PLUG

SPECIFICATION SHEET

TAG _____

Dimensional Data (inches and [mm]) are Subject to Manufacturing Tolerances and Change Without Notice



Dimensions in Inches [mm]		Approx. Wt. Lbs. [kg]
A Pipe Size	E	
2 [51]	2-1/2 [64]	2 [1]
3 [76]	2-3/4 [70]	4 [2]
4 [102]	3 [76]	5 [2]
6 [152]	3 [76]	8 [4]
8 [203]	3-1/2 [89]	13 [6]

ENGINEERING SPECIFICATION: ZURN Z1440

Cleanout with Dura-Coated cast iron body, with gas and watertight ABS tapered thread plug.

OPTIONS (Check/specify appropriate options)

PIPE SIZE

2,3,4,6,8, [51,76,102,152,203]

(Specify size) **OUTLET**

___ NH No-Hub

'E' BODY HT. DIM.

See Chart

PREFIXES

___ Z Dura-Coated Cast Iron Body and ABS Plug*

SUFFIXES

___ -BP Bronze Plug
___ -G Galvanized Cast Iron

* Regularly furnished unless otherwise specified.