

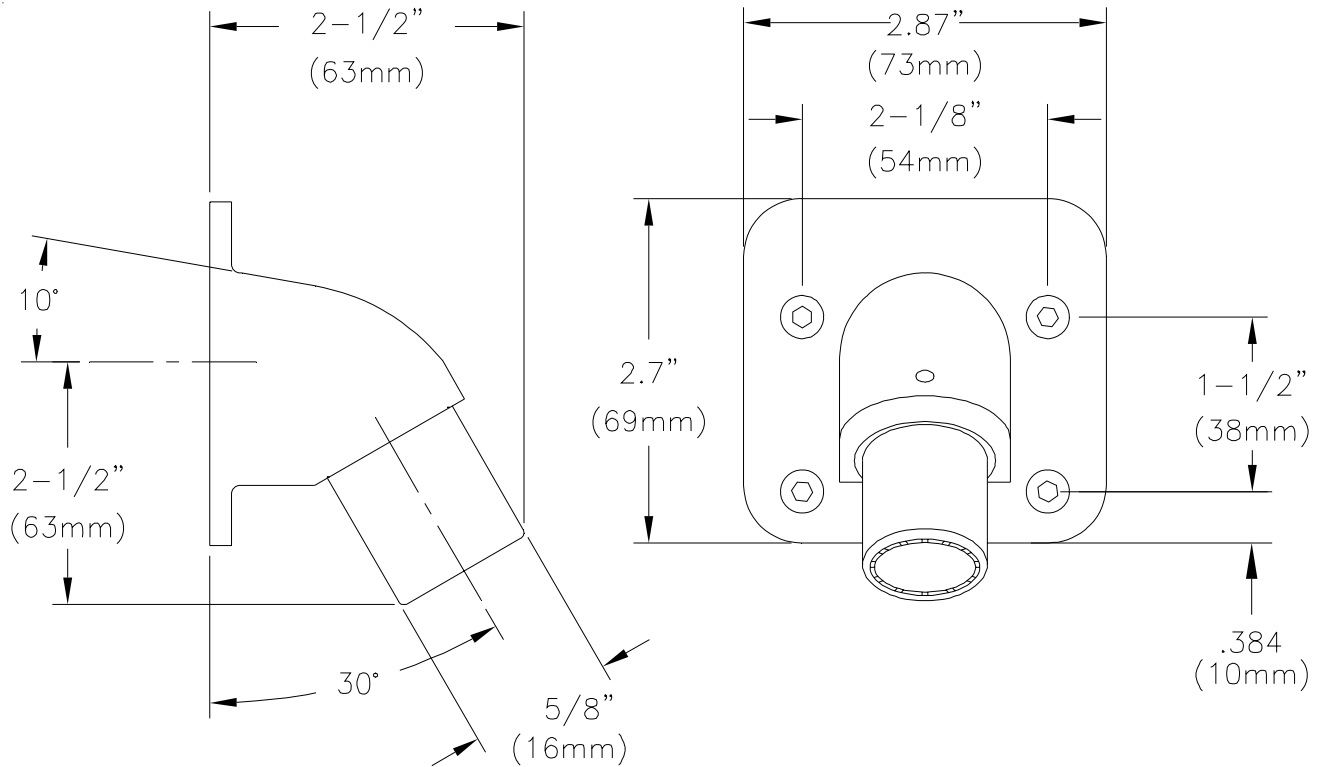


TEMP-GARD STD INSTITUTIONAL SHOWER HEAD

Z7000-i2

TAG _____

ENGINEERING SPECIFICATIONS: Bronze body with hard chrome plated finish, maximum flow rate 2.5 GPM at 80 PSI, with variable flow orifice feature to maintain constant flow rate, fixed stream head, 1/2" NPT female threaded inlet, 4 mounting screws provided, vandal resistant standard, 30 degree shower head angle as standard.



Note: All dimensions are for reference only. Do not use for pre-plumbing

OPTIONAL ACCESSORIES

Suffix	Description
___ AP	Anchor Plate
___ BP	Base Plate
___ -1.25	Water Saver Flow Control, 1.25 GPM
___ -1.5	Water Saver Flow Control, 1.5 GPM
___ -1.75	Water Saver Flow Control, 1.75 GPM
___ -2.0	Water Saver Flow Control, 2.0 GPM

STANDARDS

Designed to meet the following standards:
ASME A112.18.1/CSA B125.1

ZURN INDUSTRIES, LLC ♦ COMMERCIAL BRASS OPERATION ♦ 2640 SOUTH WORK STREET ♦ FALCONER NY 14733

Phone: 1-800-997-3876 ♦ Fax: 1-919-775-3541 ♦ www.zurn.com

In Canada: ZURN INDUSTRIES LIMITED ♦ 3544 Nashua Drive ♦ Mississauga, Ontario L4V1L2 ♦ Phone: 905/405-8272 Fax: 905/405-1292