



WATER SAVER 1.5 GPM SHOWER HEAD

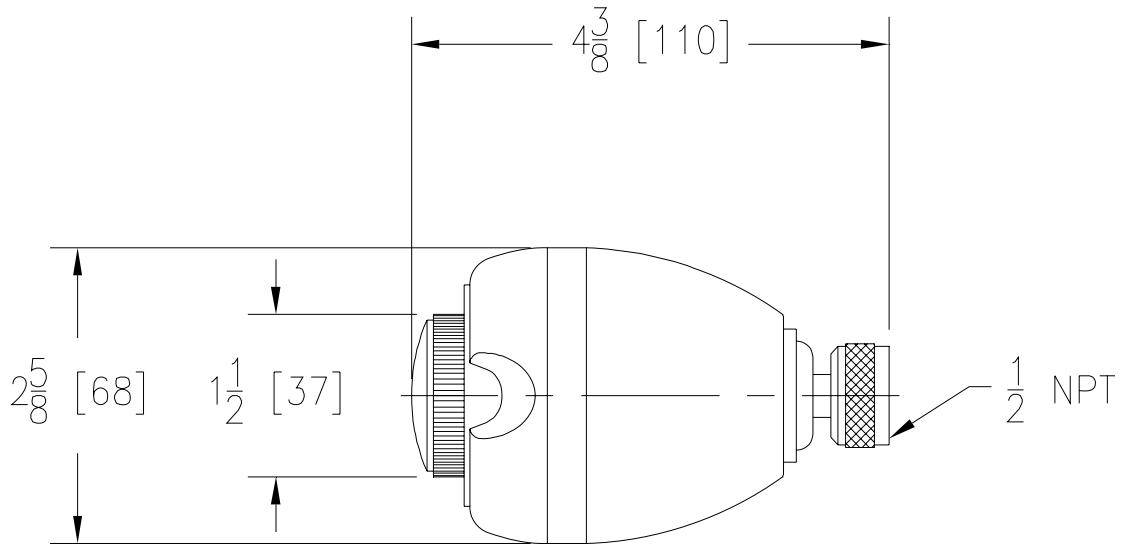
Z7000-S9

TAG _____



Engineering Specifications: Zurn Z7000-S9

Plastic chrome plated, self cleaning shower head with brass chrome plated ball joint connector, constant 1.5 gpm flowrate with non-removable flow compensator which keeps flowrate constant regardless of water pressure, 1/2" NPT female threaded inlet, and outer ring spray adjustment for coarse or soft massage spray.



www.GreenSpec.com

Note: All dimensions are for reference only. Do not use for pre-plumbing.

OPTIONAL ACCESSORIES

Suffix	Description
NA	

STANDARDS

Tested to meet the following standards:
ASME A112.18.1/CSAB125.1
CSA Listed

ZURN INDUSTRIES, LLC ♦ COMMERCIAL BRASS OPERATION ♦ 2640 SOUTH WORK STREET ♦ FALCONER NY 14733

Phone: 1-800-997-3876 ♦ Fax: 1-919-775-3541 ♦ www.zurn.com

In Canada: ZURN INDUSTRIES LIMITED ♦ 3544 Nashua Drive ♦ Mississauga, Ontario L4V1L2 ♦ Phone: 905/405-8272 Fax: 905/405-1292