



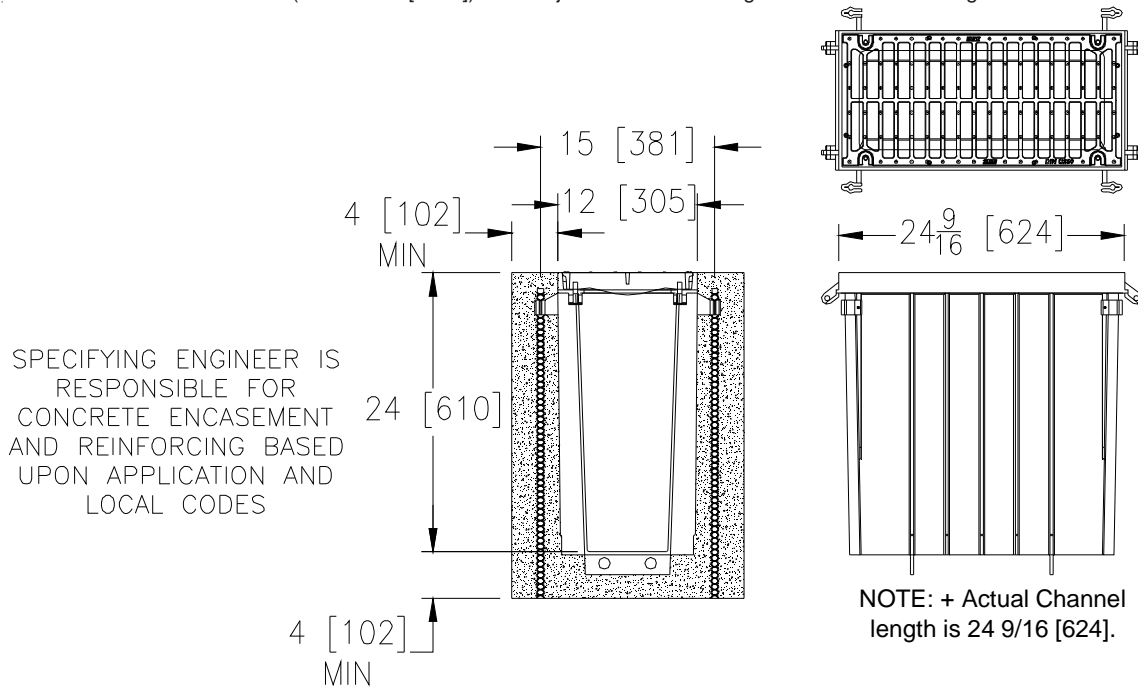
Z887-12-HDG

SPECIFICATION SHEET

12 [305] WIDE REVEAL X 24-9/16 [624] LONG CATCH BASIN W/HEAVY-DUTY GALVANIZED FRAME ASSEMBLY

TAG _____

Dimensional Data (inches and [mm]) are Subject to Manufacturing Tolerances and Change Without Notice



ENGINEERING SPECIFICATION: Zurn Z887-12-HDG

Catch Basin shall be 12 [305] wide reveal x 24-5/8 [624] long and 24 [610] deep. Catch basin shall be made of 0% water absorbent High Density Polyethylene (HDPE). Shall mechanically lock into the concrete surround. Basin shall weigh less than 14.6 lbs.[6.6 kg]. Catch basin shall have rebar clips standard to secure basin in its final location. Shall be provided with standard GDC grates that lock down to frame. Zurn 12 [305] wide reveal Ductile Iron Slotted Grate conforming to ASTM specification A536-84, Grade 80-55-06. Ductile Iron grate is rated class C per the DIN EN1433 top load classifications. Supplied in 24 [608] nominal lengths with 13/16 [21] wide slots, and 1-1/2 [38] bearing depth. Grate has an open area of 80.8 sq. in per ft. [171,027 sq. mm per meter]. The 1/4 [6] thick Heavy-Duty Frame Assembly conforms to either ASTM specification A36 or A536-84 with 4 - 4 [102] long concrete anchors per basin. The frame and grate shall be galvanized in accordance with ASTM A-123. All welds must be performed by a certified welder per ASTM standard AWS D1.1. Frames shall be produced in the U.S.A.

PREFIX OPTIONS (Check/specify appropriate options)

Z 12-inch by 24-inch High Density Polyethylene (HDPE)*

SUFFIX OPTIONS (Check/specify appropriate options)

Outlet Adapters Add/Each

-E3 3 [76] No-Hub End Outlet
 -E4 4 [102] No-Hub End Outlet
 -E6 6 [152] No-Hub End Outlet
 -U4 4 [102] No-Hub Bottom Outlet
 -U6 6 [152] No-Hub Bottom Outlet

Grate Options (Load Classifications are per DIN EN1433)

<input type="checkbox"/> -BDC Black Acid Resistant Epoxy Coated Ductile Grate - Class C	<input type="checkbox"/> -GHPDE Galvanized Heel-Proof Ductile Slotted Grate - Class E
<input type="checkbox"/> -BDE Black Acid Resistant Epoxy Coated Ductile Grate - Class E	<input type="checkbox"/> -HPD Heel-Proof Ductile Slotted Grate - Class C
<input type="checkbox"/> -BG Galvanized Ductile Iron Bar Grate - Class D	<input type="checkbox"/> -HPDE Heel-Proof Ductile Slotted Grate - Class E
<input type="checkbox"/> -DC Ductile Iron Solid Cover - Class C	<input type="checkbox"/> -RFGC Reinforced Slotted Galvanized Grate - Class C
<input type="checkbox"/> -DGC Ductile Iron Slotted Grate - Class C	<input type="checkbox"/> -RPGC Reinforced Perforated Galvanized Grate - Class C
<input type="checkbox"/> -DGE Ductile Iron Slotted Grate - Class E	<input type="checkbox"/> -RPGRC Reinforced Perforated Galvanized Reverse Punch Grate - Class C
<input type="checkbox"/> -DGF Ductile Iron Slotted Grate - Class F	
<input type="checkbox"/> -GDC Galvanized Ductile Slotted Grate - Class C *	
<input type="checkbox"/> -GDE Galvanized Ductile Slotted Grate - Class E	
<input type="checkbox"/> -GDF Galvanized Ductile Slotted Grate - Class F	
<input type="checkbox"/> -GHPD Galvanized Heel-Proof Ductile Grate - Class C	

Miscellaneous Options

-IA Inlet Adapter - Z886
 -IA Inlet Adapter - Z882

MADE in the U.S.A. (Load Classifications are per DIN EN1433)

-ADA-USA Meets Americans with Disabilities Act Requirements - Class C
 -DGC-USA Ductile Iron Slotted Grate - Class C
 -DGE-USA Ductile Iron Slotted Grate - Class E
 -FG Fabricated Galvanized Steel Slotted Grate - Class A
 -GADA-USA Galvanized Ductile ADA Slotted Grate - Class C
 -GDC-USA Galvanized Ductile Slotted Grate - Class C
 -GDE-USA Galvanized Ductile Slotted Grate - Class E
 -GHPDE-USA Galvanized Ductile Slotted Grate - Class E
 -HPDE-USA Heel-Proof Ductile Slotted Grate - Class E
 -PG Perforated Galvanized Steel Grate - Class A
 -RFG Reinforced Galvanized Slotted Steel Grate - Class B
 -RPG Reinforced Galvanized Perforated Grate - Class B

Miscellaneous Options

-DB Bottom Dome Strainer
 -EXT 12 [305] Body Extension
 -VP Vandal-Proof Lockdown
 -Y Sediment Bucket

*REGULARLY FURNISHED UNLESS OTHERWISE SPECIFIED

REV. D DATE: 5/8/12 C.N. NO. 124269

PROD/DWG. NO. Z887-12-HDG

ZURN INDUSTRIES, LLC ♦ SPECIFICATION DRAINAGE OPERATION ♦ 1801 Pittsburgh Ave. ♦ Erie, PA 16514

Phone: 814455-0921 ♦ Fax: 814454-7929 ♦ World Wide Web: www.zurn.com

In Canada: ZURN INDUSTRIES LIMITED ♦ 3544 Nashua Drive ♦ Mississauga, Ontario L4V1L2 ♦ Phone: 905405-8272 Fax: 905405-1292