



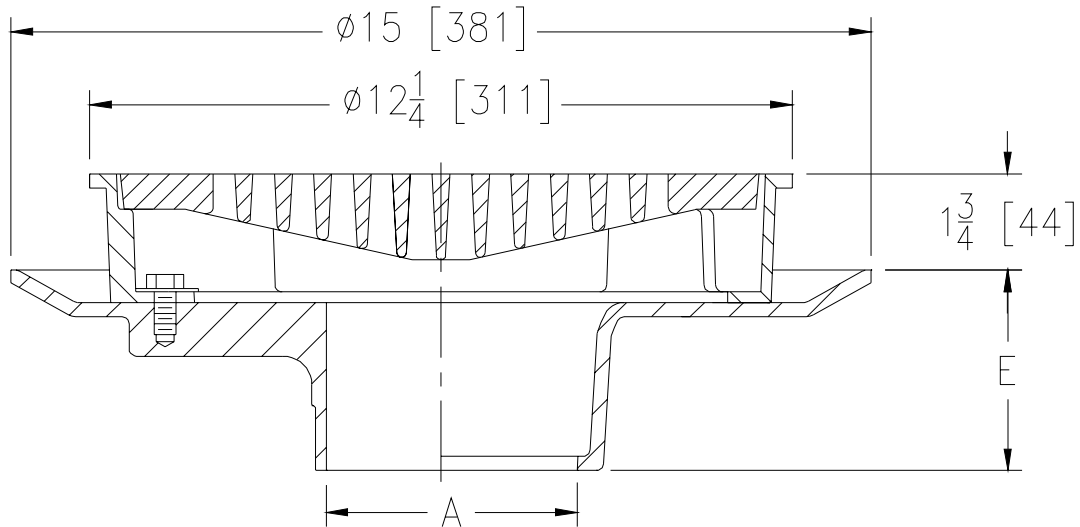
# Z504

## 12 [305] HEAVY-DUTY DRAIN

SPECIFICATION SHEET

TAG \_\_\_\_\_

Dimensional Data (inches and [ mm ]) are Subject to Manufacturing Tolerances and Change Without Notice



A- Pipe Size In.	Approx. Wt. Lbs. [kg]	Grate Open Area Sq. In. [cm <sup>2</sup> ]
3-4-6 [76-102-152]	32 [15]	30 [194]

**ENGINEERING SPECIFICATION:** ZURN Z504 12 [305] Diameter top drain-Dura-Coated cast iron body with bottom outlet, seepage pan and combination membrane flashing clamp and frame for heavy-duty deep flange slotted grate.

**OPTIONS** (Check/specify appropriate options)

**PIPE SIZE**

- 3-4-6 [76-102-152]
- 3-4-6 [76-102-152]
- 3-4-6 [76-102-152]
- 3-4-6 [76-102-152]
- 3-4 [76-102]

(Specify size/type) **OUTLET**

- \_\_\_ IC Inside Caulk
- \_\_\_ IG Inside Caulk w/Sealtrol Gskt.
- \_\_\_ IP Threaded
- \_\_\_ NH No-Hub
- \_\_\_ NL Neo-Loc

**'E' BODY HT. DIM.**

- 3 1/2 [89]
- 3 1/2 [89]
- 3 1/2 [89]
- 3 1/2 [89]
- 2 5/8 [67]

**PREFIXES**

- \_\_\_ Z D.C.C.I. Body and Top\*
- \_\_\_ ZB D.C.C.I. Body with Polished Bronze Top (Add 3/16 [5] to 1 3/4 [44] Dim.)
- \_\_\_ ZN D.C.C.I. Body with Polished Nickel Bronze Top (Add 3/16 [5] to 1 3/4 [44] Dim.)

**SUFFIXES**

- |  |   |
|--|---|
| <ul style="list-style-type: none"> <li>___ -AR Acid Resisting Epoxy Coated Cast Iron</li> <li>___ -D Dome Grate</li> <li>___ -DG Duresist Grate</li> <li>___ -F Extension Frame<br/>(Specify Total Height Req'd.)</li> <li>___ -G Galvanized Cast Iron</li> <li>___ -H Hinged Grate</li> <li>___ -HP Heel-Proof Grate</li> <li>___ -HT Square Hinged Grate</li> <li>___ -P Trap Primer Connection</li> </ul> | <ul style="list-style-type: none"> <li>___ -S Secondary Strainer</li> <li>___ -SC Solid Cover</li> <li>___ -T Square Top (Add 7/16 [11] to 1 3/4 [44] Dim.)</li> <li>___ -TC Neo-Loc Test Cap Gasket<br/>(3 - 4 [76 - 102] NL Bottom Outlet Only)</li> <li>___ -TS Top Secured with Slotted Screws</li> <li>___ -V Backwater Valve (See Z1099)</li> <li>___ -VP Vandal-Proof Secured Top</li> <li>___ -Y Sediment Bucket</li> </ul> |
|--|---|

<b>REV. E</b>	<b>DATE: 6/29/04</b>	<b>C.N. NO. 92321</b>
<b>DWG. NO. 58921</b>	<b>PRODUCT NO. Z504</b>	

\*REGULARLY FURNISHED UNLESS OTHERWISE SPECIFIED