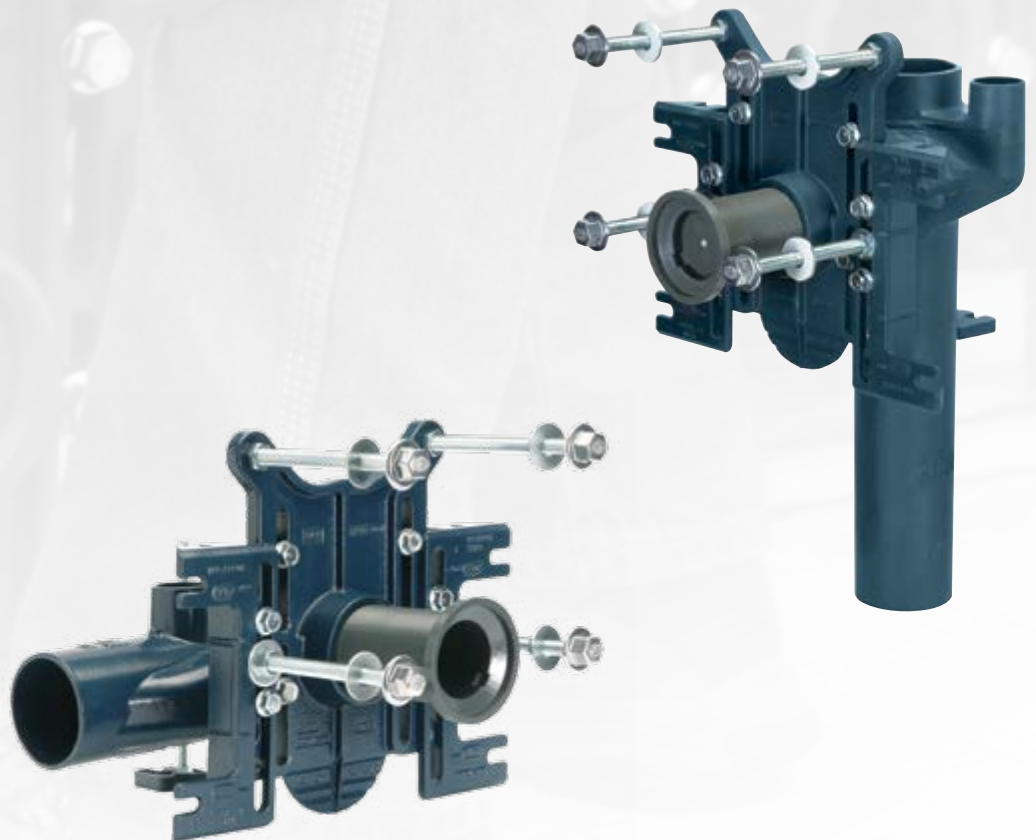




EZCarry® High Performance Water Closet Carrier Systems



EZCarry® – High Performance Water Closet Carrier Systems

The EZCarry High Performance Water Closet System offers customers a revolutionary design that out-performs traditional water closet carriers. The EZCarry system has advanced features and benefits that allow the engineer to specify with confidence, gives the contractor a quick and easy install, and proven performance for building owners with standard or low-flow systems. Zurn offers industry-leading line carry across the largest breadth of water closet carriers on the market.



Building Owner

Zurn offers a complete water management system for the whole building, simplifying every step of the process from quotation to day-to-day operational maintenance.

- Reduce costly facility downtime due to maintenance with Zurn's optimized low-flow system
- Increase building usable space with ZN1201 and ZN1202 narrow wall carriers
- Exceed market performance at standard and low-flow volumes using Zurn's paired performance product bundles
- Receive excellent customer care from Zurn's national customer service team



Contractor

Zurn teams with the contractor to provide lean construction tools, products, and resources to save time and money.

- Reduce adjustment time with factory-assembled trim and universal feet pre-set at 5-1/2" rough-in height
- Install ZF1201 and ZF1202 one-piece faceplates at 5-1/2" or 7-1/2" rough-in height and save time on installation
- Use labor-saving ZE1201 extended barrel carriers to set carrier banks off-site with no need for piping in between carriers
- Test the system and cut the coupling to length from the front with Zurn's patent-pending EZ-SET™ coupling option
- Install faster with labor saving features on a 30% lighter system

EZCarry® – High Performance Water Closet Carrier Systems



Engineer

Zurn provides the tools and resources needed to specify faster with confidence.

- Optimize the design process with BIM/3D models and the ZurnSpecSM specification platform
- Rely on Zurn for IAPMO-approved high quality drainage solutions
- Specify bariatric installations with confidence by using heavy-duty Z1201 and Z1202-XB 1,000 lb. and -XH 750 lb. carriers loading capabilities
- Design with more interior space by using ZN1201 and ZN1202 narrow wall carriers
- Propel waste up to three times farther, reducing the possibility of low-flow system clog for overall plumbing system protection
- Protect facilities from excessive loading with standard system design for loading up to 500 lb.

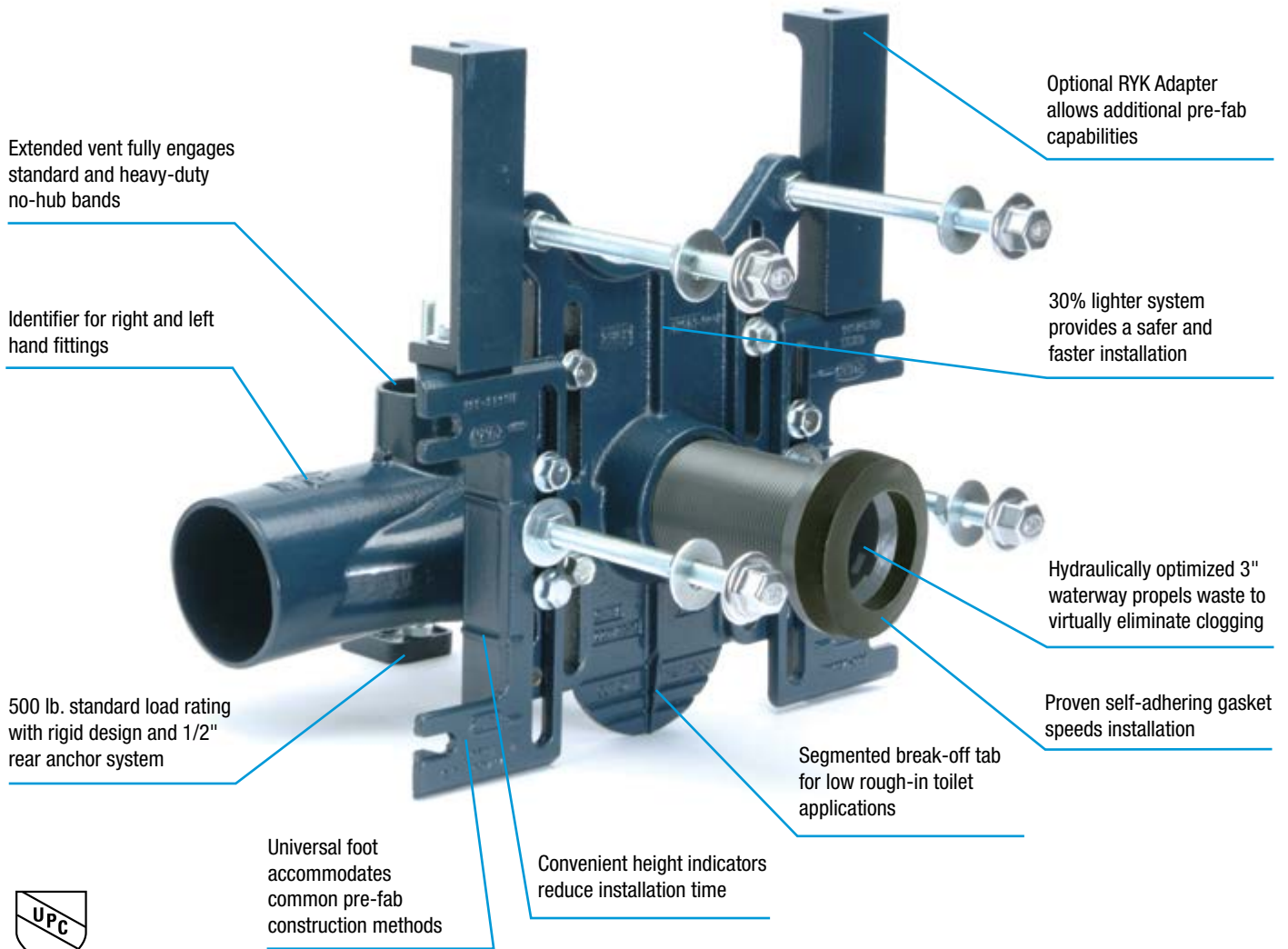


Facilities Maintenance

No matter how many properties are managed, Zurn understands that time is important for maintaining a sanitary and safe facility.

- Reduce maintenance emergencies with carriers designed to optimize waste line carry
- Rest assured knowing that the 500 lb. standard load rating and 750 lb. extra heavy-duty loading will help protect against vandalism and product misuse
- Maintain a sanitary environment with wall-mounted fixture

EZCarry® – High Performance Water Closet Carrier System



Standard Coupling



Standard Coupling with Integral Test Cap
3" dia. x 6" standard polymer coupling with integral test cap. (NPSM only)

Optional Couplings



-CC Corrosion Resistant Cast Iron Coupling
Select where local codes do not permit use of a polymer coupling or Buy America/Buy American requirements are present (NPSM only)



-CE EZ-SET™ Coupling (Patent Pending) with Integral Test Cap
Cut coupling flush with finished wall following pressure testing, without removal, reducing installation time (5" min.)



-CL Custom Length Standard Coupling with Integral Test Cap
Select -CL standard polymer coupling with integral test cap for installations requiring custom coupling length of 4", 8", 10" or 12" (NPSM only)



-CS 2 1/4" Polymer Coupling with Integral Test Cap
For narrow chase installations (NPSM only)

EZCarry® – Accessories

Rough-In and Job Site



EZCarry Handle
Convenient carrying handle
for EZCarry systems

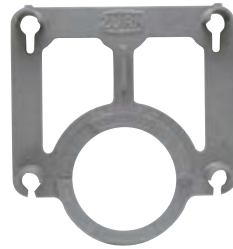


Z1200-SPLY-SPRT-WC
Support assembly for water closet
supply lines during installation

Finishing



EZCUTGUIDE
Blade guide for EZ-SET™
Coupling installation and
protection of the finished wall



Z1200-RI-GAUGE
Rough-in gauge helps contractor to
quickly trim couplings and threaded
rods to length for proper installation



Z1200-FINFRAME-SJ
Finishing frame for siphon jet
toilets designed to promote level
tiling for aesthetic appeal

Coupling



Z1200-CC-TESTCAP
Test cap assembly for cast iron
-CC coupling type



Z1200-CPLGWRNCH-3:
Custom wrench for ZZ adjustable
coupling installation, ensuring
proper O-ring seal

Hardware



Z1200-VP-WRENCH
Universal wrench for
vandal-proof hardware



Z1200-VP-HRDWR-5/8
Vandal-proof hardware to protect bowls
from potential vandalism or damage



Z1200-RTRTFT-NUT
Retrofit cap nuts and washers



Z1200-ADJ-NUT
Bowl-Saver adjustment washers
ensure rigid bowl installation,
preventing cracking

EZCarry® – High Performance Water Closet Carrier System

ZE1201 Extended Barrel

- Save time by prefabricating carrier banks with 38" extended barrel
- Save installations costs because no additional piping is needed between carriers



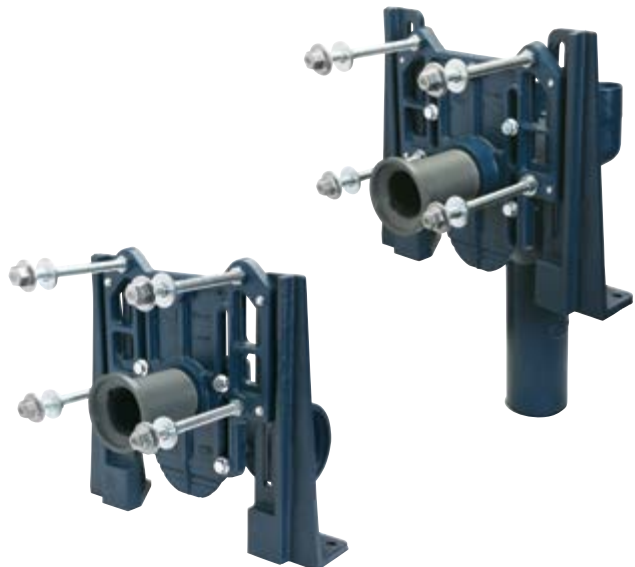
ZF1201/ZF1202 One-Piece Faceplate

- 5-1/2" Standard or 7-1/2" ADA rough-in to meet application needs
- Install faster with one-piece faceplate, eliminating adjustment of individual feet



ZN1201/ZN1202 Narrow Wall Carrier

- Reduced chase space provides increased usable building square footage



EZCarry® – High Performance Water Closet Carrier System

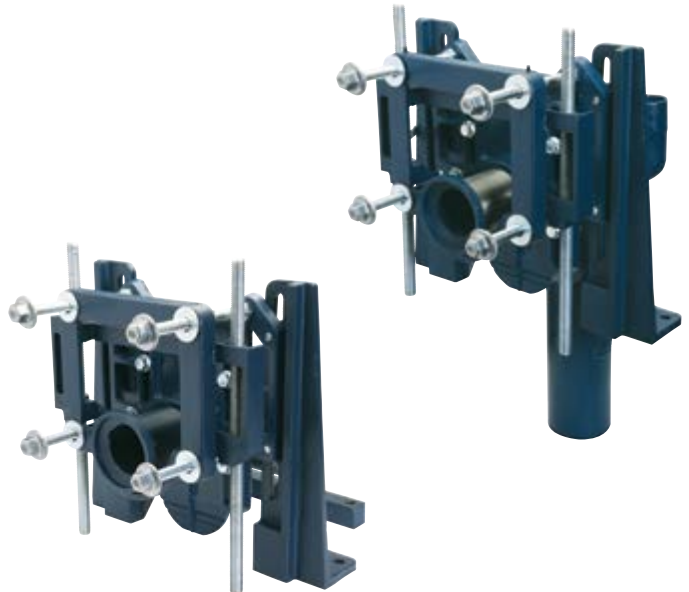
Z1201-XH/Z1202-XH Extra Heavy-Duty

- 1/2" rear anchor tie down provides support for up to 750 lb. loading
- Safely specify extra heavy-duty applications with confidence using tested system



Z1201-XB /Z1202-XB Bariatric Extra Heavy-Duty

- 1/2" rear anchor tie-down and rigid support frame assembly provide loading capabilities up to 1,000 lb. for safe support in bariatric installations



Future line additions:

- RYK Prefabrication Foot (Coming Fall 2016)
- Updated -CE Coupling (Coming 2017)

**Zurn Engineering will custom design your carrier bank.
Call Zurn Customer Care for more information at 1-855-ONE-ZURN.**



ZURN INDUSTRIES, LLC Specification Drainage Operation
1801 Pittsburgh Avenue, Erie PA 16502
Phone: 855-ONE-ZURN (855-663-9876)

In Canada:

ZURN INDUSTRIES LIMITED
3544 Nashua Drive, Mississauga, Ontario L4V 1L2, 905-405-8272

1.855.ONE.ZURN
www.zurn.com

Form No. ZMKTG210-73, Rev. 06/16