



# ZS880 Stainless Steel Linear Shower Drain

Residential • Healthcare • Hospitality





# ZS880 Stainless Steel Linear Shower Drain



Adjustable

Versatile

Architectural

ADA Compliant

Durable

Sanitary

Innovative

Customizable

Reliable

Barrier Free

Low Profile



### Innovative

- Patent pending frame and grate features allow effortless height and level adjustment, reducing pooling
- Barrier-free installation creates accessibility and freedom in applications requiring ADA compliance
- Performance engineered channel promotes superior water evacuation

### Labor Saving

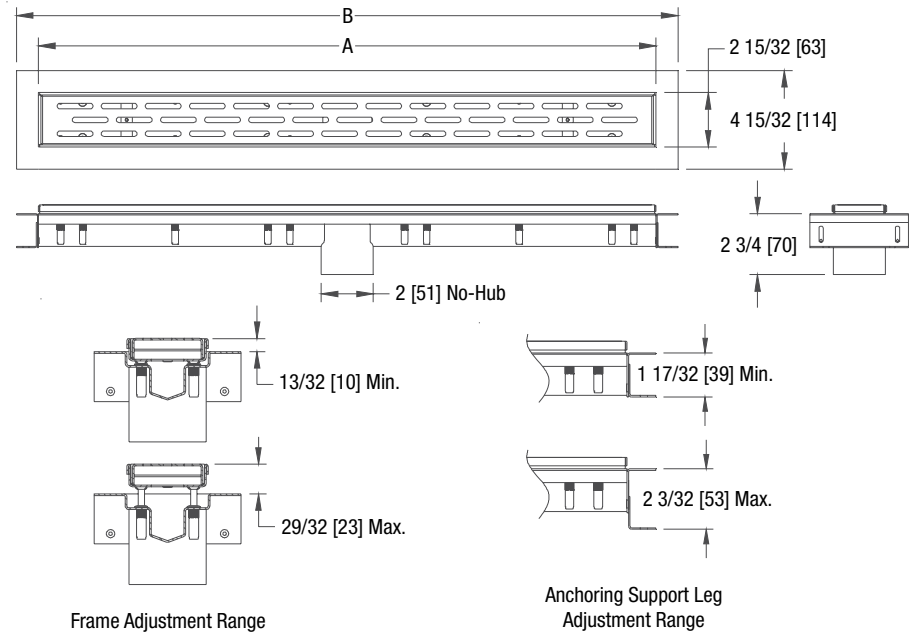
- Integral tiling edge reduces installation time while protecting flooring from damage
- Adjustable anchoring feet provide stability before and during the concrete pour
- Integral flange allows hassle-free membrane attachment
- Type 304 stainless steel construction provides corrosion resistance, durability, and low maintenance

### Versatile

- Extensive grating design and decorative finish options enhance aesthetic appeal
- Low-profile design allows installation in 2" over pour
- Customization available to suit an array of project needs



# ZS880 Technical Information



**ENGINEERING SPECIFICATION:** ZS880 All Type 304 (CF8) Fabricated Stainless Steel Linear Shower Drain. Complete with vertically adjustable anchoring support legs, anti-ponding V-shaped channel with 2 [51] No-Hub center outlet, adjustable secured leveling frame with built-in tile edge, and secured, light-duty, slotted heel-proof grate. Drain is designed for installation in a minimum 2 [51] concrete pour and can be adjusted to accommodate 1/4 [6] and 3/8 [10] finished tile thicknesses.

Product Designation	Dimension(s) in Inches [mm]		Approximate Weight Lbs. [kg]	Grate Open Area Sq. In. [cm <sup>2</sup> ]
	A	B		
-12	12 [305]	14 [356]	2.9 [1.3]	6 [38]
-28	28 [711]	30 [762]	5.4 [2.5]	15 [97]
-32	32 [813]	34 [864]	5.9 [2.7]	18 [116]
-36	36 [914]	38 [965]	6.4 [2.9]	20 [129]
-40	40 [1016]	42 [1069]	7.2 [3.3]	22 [142]
-48	48 [1219]	50 [1270]	8.4 [3.8]	27 [174]
-60	60 [1524]	62 [1575]	10.3 [4.7]	34 [219]
-72	72 [1829]	74 [1880]	12.4 [5.6]	41 [265]

## PREFIXES

**ZS** All Type 304 (CF8) Stainless Steel\*

**ZR** All Type 304 (CF8) Stainless Steel with Oil-Rubbed Bronze Finish

## SUFFIXES

- 2 Two Bottom Outlets (Size – 2 [51] No-Hub, not available on Size -12)
- 3 Three Bottom Outlets (Size – 2 [51] No-Hub, not available on Size -12)
- C45 45 Degree Connector
- C90 90 Degree Connector
- CS Straight Connector
- EO End Bottom Outlet (Size – 2 [51] No-Hub, not available on Size -12)
- FS Outlet Filter Screen
- LB Lower Drain Body
- SO Side Outlet (2 [51] No-Hub), Not available on Size -12)

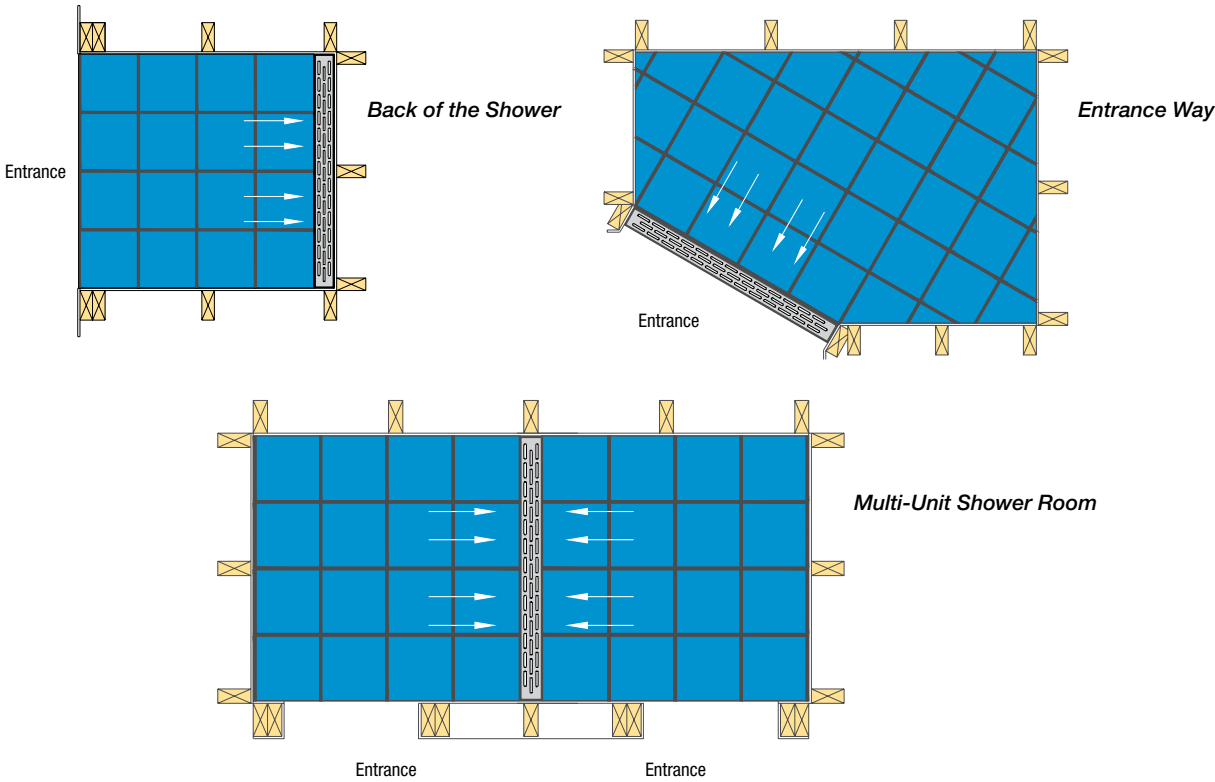
## GRATE OPTIONS

- BW Basket Weave Grate
- DB Decorative Block Grate
- SG Serenity Grate
- TG Tile Inlay Grate
- WG Wave Grate

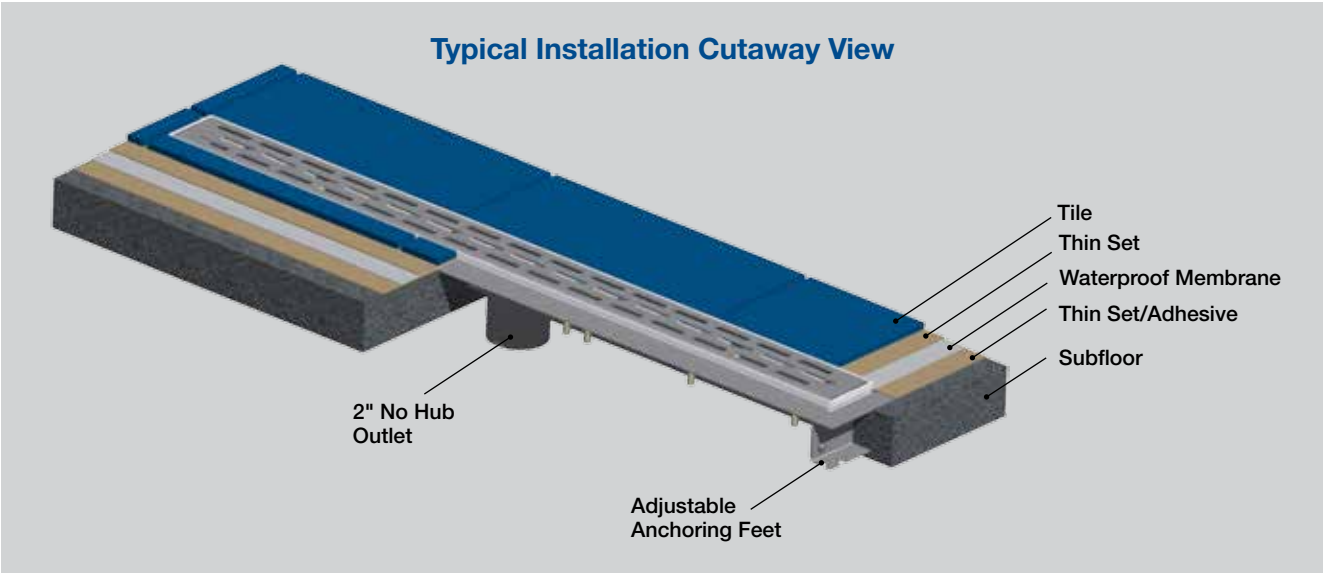
\* Regularly furnished unless otherwise specified

Discover how easy it can be to create a barrier-free shower enclosure that delivers reliable performance and architectural design. The ZS880 eliminates the need to slope the finished flooring in multiple directions, allowing drainage of a substantially larger floor surface area than traditional shower drains. Instead, pitch the floor in one direction towards the linear shower drain, and finish the job in record time. A beautiful installation has never been so simple.

### Typical Drain Placement in Bathroom Floor



### Typical Installation Cutaway View



# ZS880 Customization and Adjustability



## Adjustment



Remove grate



Loosen locking screws



Adjust height and level



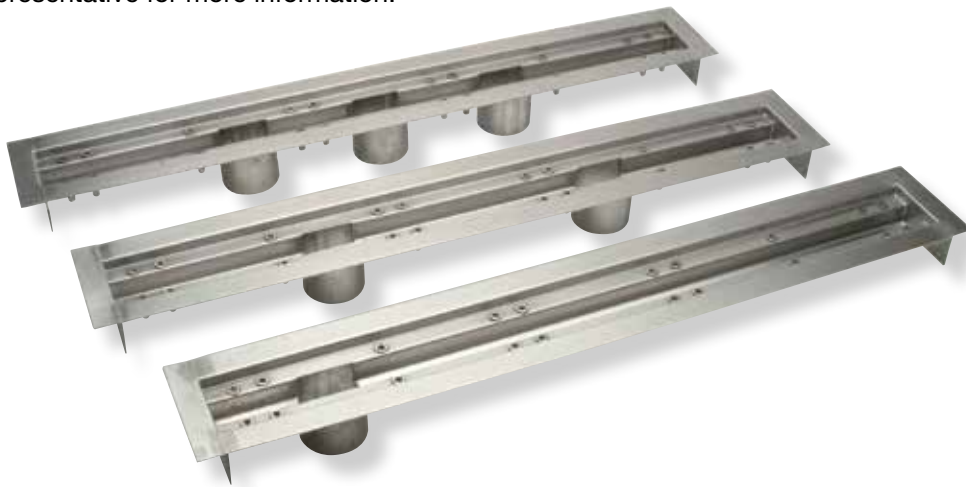
Tighten screws and secure grate

## Fully Adjustable Patent Pending Features

Zurn provides unrivaled adjustability in the ZS880. Leveling anchor feet enable the contractor to set the drain at the required height and pour the concrete without concern of the drain moving. Prior to finished floor installation, final adjustments to the patent pending frame and grate enable a flush finish.

## Customizable for Every Project

ZS880 is not only customizable through the wide variety of available grates, finishes, and overall lengths but also by the wide variety of outlet configurations. Multiple outlets may be chosen, with centered and end outlet options. Contact your local Zurn representative for more information.



-C45 - 45 Degree Connection Option



-LB - Lower Drain Body Option



## Healthcare

Ensure accessibility for all your patients while reducing building maintenance, increasing the life of your building, and improving the level of comfort and safety you can provide. The classic look of the ZS880 will contribute to a more welcoming atmosphere for recovering patients, while allowing a barrier-free experience for those with limited mobility. Choose Zurn for a complete package that fulfills all of your specialty plumbing needs, including OSHPD, ADA and bariatric compliant products.

## Hospitality

Nothing says luxury to a guest like a room with all the features of a mini-spa. Be a step above the rest by installing barrier free showers that allow guests to cross into a transforming shower experience. The ZS880 linear drainage shower system offers longevity for the life of the building, high quality construction that resists corrosion over time, and minimizes building maintenance. Upgrade to any of our decorative grating options to complete your preferred guest experience.

## Residential

Come home and relax in your own luxury bathroom, customized with a Zurn ZS880 stainless steel linear shower drain. Creating an environment that is classically stylish, with minimal maintenance and superior longevity is achievable with this high-quality drainage option. Choose the ZS880 for your new home or remodel project to improve the overall value of your home and build your luxury getaway.



**ZURN INDUSTRIES, LLC**

1801 Pittsburgh Avenue, Erie PA 16502, 1-855-663-9876

*In Canada:*

**ZURN INDUSTRIES LIMITED**

3544 Nashua Drive, Mississauga, Ontario L4V 1L2, 905-405-8272

**1-855-ONE-ZURN**  
**[www.zurn.com](http://www.zurn.com)**

Form No. ZMKTG220-10, Rev. 04/15