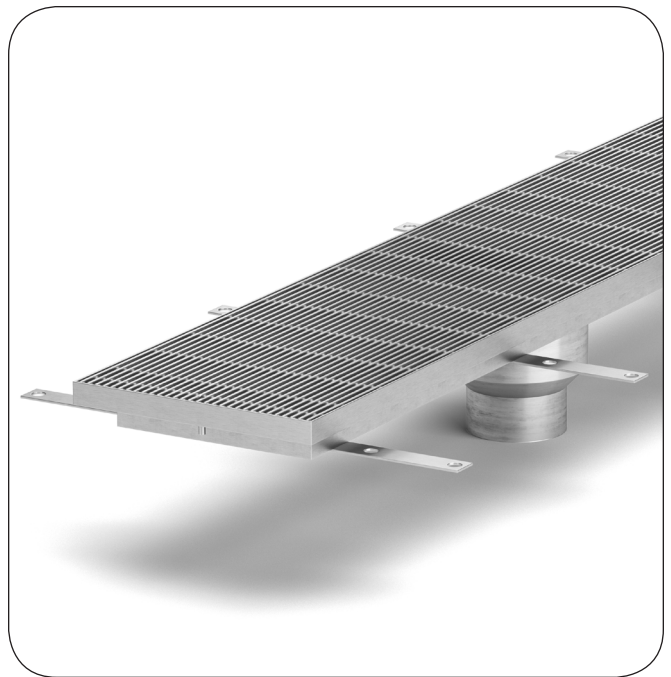


ZURN *Linear Drainage*

Z899

Sani-Flo Trench

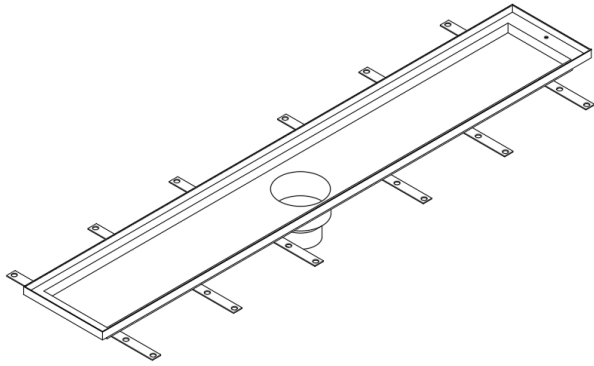


Installation Instructions

Z899 Setting the Trench

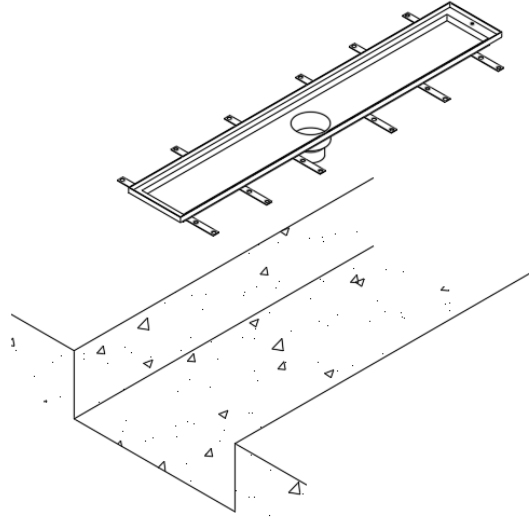
Step 1

Locate Threshold/Elevator drain bodies. Plywood inserts are supplied with the drain and should remain in the drain body in place of the grates during the prep for and the actual concrete pour.



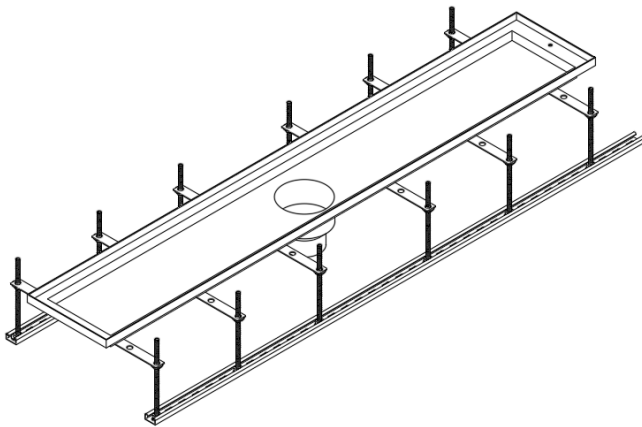
Step 2

At a minimum, the trench excavation must be 4" [102 mm] greater than the trench depth and 8" [203 mm] greater than the widest part of the trench. Soft and/or shifting soil substrates may cause cracking of the concrete and consequent movement of the trench. It is critical that the concrete be poured on an adequate foundation.



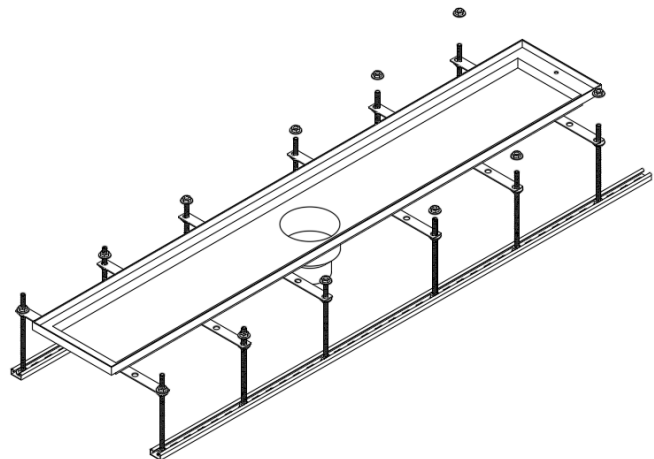
Step 3

Utilize anchor straps to suspend the drain using an all thread rod and double nut system supplied by others. Affix all thread rods to a solid surface (wood, concrete, unistrut, etc.) below and suspend the drain at the desired height of the finished floor.



Step 4

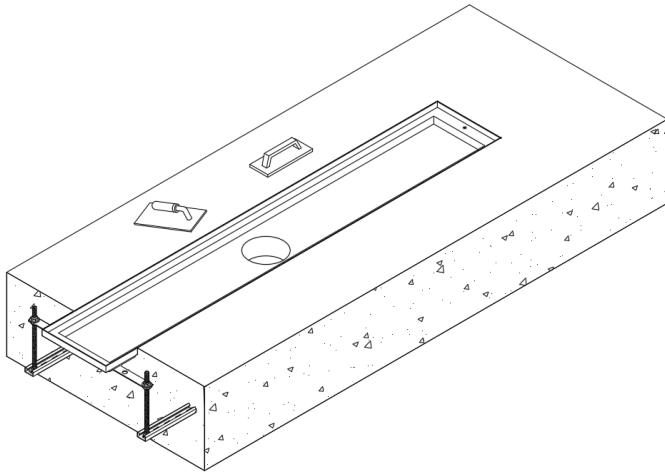
Level the drain at the finished floor height using the all thread and double nut system. Once the trench is leveled, tighten the top nut of the double nut system to secure the drain.



Z899 Installing the Trench, *continued*

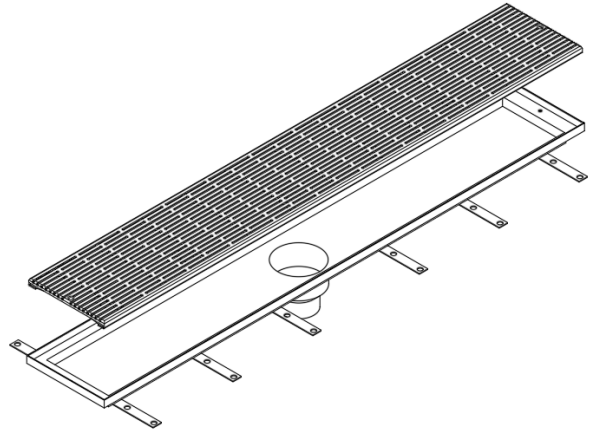
Step 5

Pour the concrete around the profile of the trench drain. Be certain to adequately vibrate the concrete as it is being placed. Proper vibration will eliminate any unwanted voids within the concrete pour.



Step 6

The plywood inserts should be removed and replaced by the grates once the building is turned over and will only be exposed to light duty/pedestrian traffic.



Allow for concrete shrinkage during finish troweling so that the top surface of the trench drain doesn't protrude from the floor surface after concrete has cured.



ZURN INDUSTRIES, LLC Trench Drainage Operation
1801 Pittsburgh Avenue, Erie, PA 16502, 855.663.9876

In Canada: **ZURN INDUSTRIES LIMITED** 7900 Goreway Drive, Unit 10, Brampton, Ontario L6T 5W6, 877.892.5216
Form No. 220-059, 5/19

⚠ **WARNING:** Cancer and Reproductive Harm - www.P65Warnings.ca.gov
⚠ **ADVERTENCIA:** Cáncer y daño reproductivo - www.P65Warnings.ca.gov
⚠ **AVERTISSEMENT:** Cancer et effets néfastes sur la reproduction -
www.P65Warnings.ca.gov

