

AQUASPEC[®] FAUCETS

MODEL - Z85500 SERIES
DOUBLE FOOT PEDAL VALVE

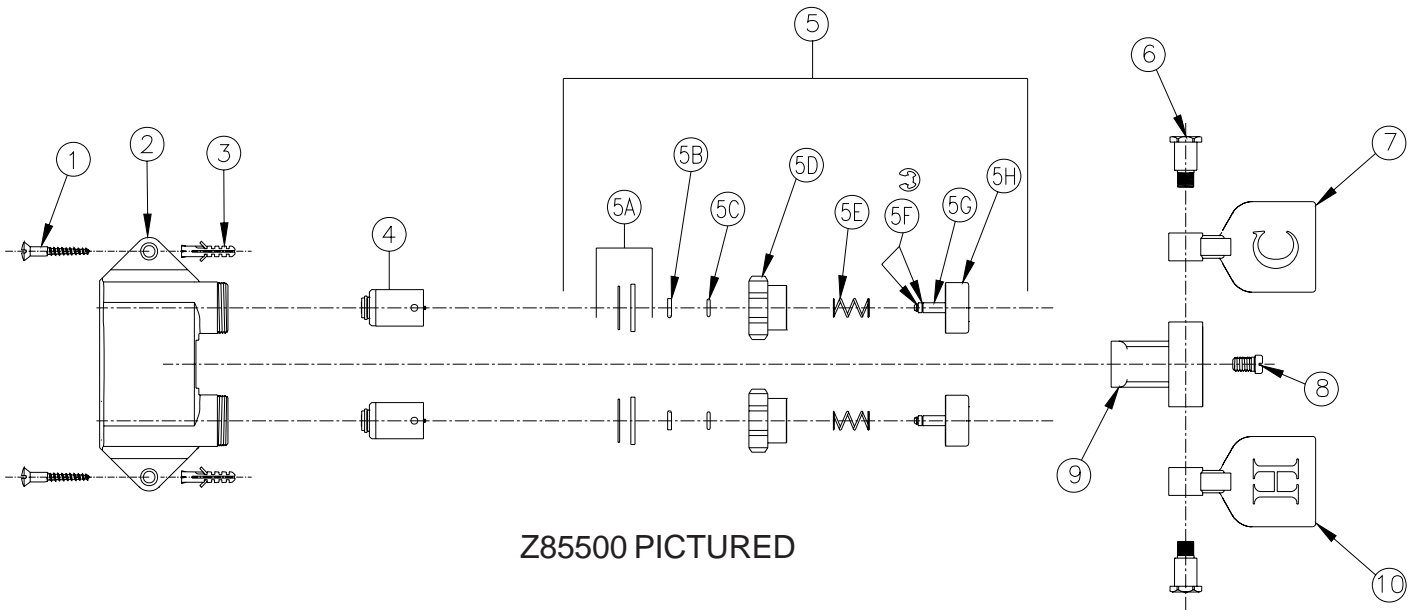


TECHNICAL INFORMATION

MAXIMUM PRESSURE: 125 PSI

MAXIMUM TEMPERATURE: 180° F

CARTRIDGE STYLE: ZURN FOOT PEDAL CARTRIDGE



Z85500 PICTURED

Item	Part Number	Description	Qty.
1	61817001	#12 1-1/2" Wood Screw	2
2	59965001	Body	1
3	62359001	Wall Anchor	2
4	G62682	F.P. Poppet Assembly	2
5	G61683	F.P. Cartridge Nut Assembly	2
5A	G65503	Cap Sealing Washer Assembly	1
	65432001	O-Ring	1
	65431002	Plastic Ring	1
5B	60458001	O-Ring Retainer	1
5C	62499107	O-Ring	1
5D	61057001	Cap	1
5E	61059001	Spring	1
5F	60464001	E-Ring	2
5G	61058001	Stem	1
5H	61082001	Push Button	1
6	59843001	Pivot Bolt	2
7	59844003	Short Cold Foot Pedal	1
8	59739001	Screw	2
9	59845001	Bracket	1
10	59844002	Short Hot Pedal	1

INSTALLATION INSTRUCTIONS

1. BE SURE SUPPLY LINES ARE THOROUGHLY FLUSHED BEFORE INSTALLATION.
2. REMOVE FOOT PEDAL VALVE FROM CARTON AND MOUNT TO WALL USING MOUNTING SCREWS, #22.
3. CONNECT OUTLET PIPING TO 3/8" NPT PORT ON TOP OF VALVE.
4. CONNECT SUPPLY PIPING TO 1/2" NPT STOPS. (ONLY WALL MOUNT UNIT PROVIDED WITH STOPS)
5. TURN SUPPLY WATER ON AND OPERATE FOOT PEDAL CHECKING FOR LEAKS.
6. IT MAY BE NECESSARY TO SHUT WATER OFF AND REMOVE CARTRIDGE TO CLEAN SUPPLY LINES. CARTRIDGE CAN BE REMOVED BY FIRST REMOVING THE F.P. CARTRIDGE NUT ASSY. (ITEM #5). THEN REMOVE F.P. POPPET ASSY. (ITEM #4), AND REPLACE F.P. CARTRIDGE NUT ASSY. (ITEM #5). RUN WATER TO CLEAN LINES.
7. AGAIN SHUT OFF SUPPLY WATER, REMOVE F.P. CARTRIDGE NUT ASSY. (ITEM #5) AND REPLACE F.P. POPPET ASSY. (ITEM #4). REPLACE F.P. CARTRIDGE NUT ASSY. (ITEM #5).

MAINTENANCE

1. YOUR ZURN AQUASPEC FOOT PEDAL VALVE HAS A HIGHLY POLISHED NICKEL CHROME PLATED FINISH. CLEAN WITH SOAP AND WATER OR A MILD CLEANER WHICH IS SAFE FOR CHROME PLATING. DO NOT USE ACIDS OR TOILET BOWL CLEANER AS THEY WILL DAMAGE THE FINISH.
2. AQUASPEC SLOW CLOSING FOOT PEDAL CARTRIDGE CAN BE SERVICED BY SHUTTING THE WATER OFF AND REMOVING F.P. CARTRIDGE NUT ASSY. (ITEM #5). REMOVE F.P. POPPET ASSEMBLY (ITEM #4). CHECK FOR WORN OR DAMAGED PARTS. THOROUGHLY CLEAN PARTS AND REPLACE.



ZURN INDUSTRIES, INC. ♦ COMMERCIAL BRASS OPERATION ♦ 2640 SOUTH WORK STREET ♦ FALCONER NY 14733

Phone: 1-716-665-1132 ♦ Fax: 1-716-665-1135 ♦ World Wide Web: www.zurn.com

In Canada: ZURN INDUSTRIES LIMITED ♦ 3544 Nashua Drive ♦ Mississauga, Ontario L4V1L2 ♦ Phone: 905/405-8272 Fax: 905/405-1292