

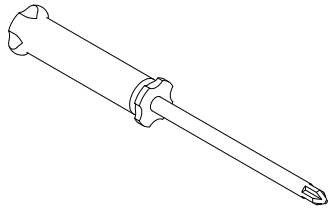


AQUASPEC FAUCETS

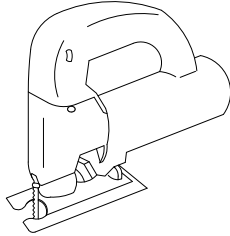
MODEL - Z6900-VG

VANDAL-GUARD LAVATORY SHIELD

TOOLS NEEDED



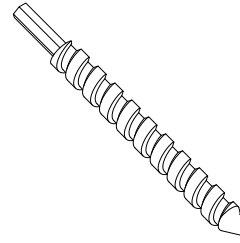
PHILLIPS
SCREWDRIVER



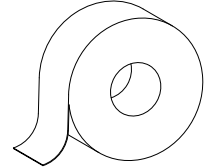
JIG SAW



COMPASS SUPPLIED



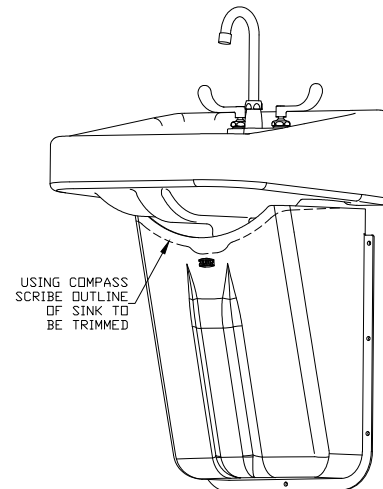
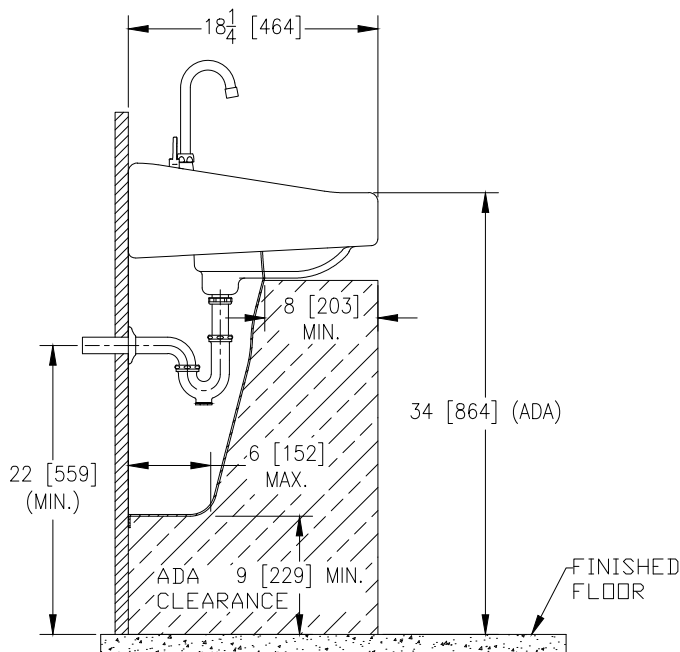
3/16" DRILL BIT



TAPE

* INSTALLATION INSTRUCTIONS

1. PLACE THE LAVATORY SHIELD UNDER SINK FLUSH WITH WALL AS HIGH AS POSSIBLE AND TEMPORARIL FIX TO WALL WITH TAPE (DUCT, MASKING, PACKAGING, ETC.)
2. USING COMPASS PROVIDED CAREFULLY SCRIBE THE OUTLINE OF THE UNDERSIDE OF THE SINK ONTO THE LAVATORY SHIELD KEEPING THE COMPASS VERTICAL AT ALL TIMES.
3. REMOVE LAVATORY SHIELD FROM WALL AND CUT OUT THE SCRIBED LINE USING JIG SAW.
4. ONCE PROPER FIT OF SHIELD TO UNDERSIDE OF SINK HAS BEEN ACCOMPLISHED PLACE SHIELD FLUSH WITH WALL AND SINK THEN MARK HOLES FOR FASTENING.
5. DRILL 3/16" HOLES FOR SUPPLIED ANCHORS AND SECURE SHIELD INTO PLACE.



REPLACEMENT PARTS

MOUNTING HARDWARE ASSEMBLY (G68021) INCLUDING:

- #6x1" OVAL HEAD SCREWS 7X
- 3/16" DRY WALL ANCHORS 7X
- COMPASS 1X