



# EZ1™ CLEANOUT SERIES

## EZ1™ FLOOR CLEANOUT INSTALLATION INSTRUCTIONS

Design and Dimensional Data (inches and [ mm ]) are Subject to Manufacturing Tolerances and Change Without Notice

**⚠ Warning: Flying material can cause eye injury or blindness and sharp edges could cause cuts or lacerations. Wear safety glasses and gloves when installing or working on drain.**

1. Cut pipe so that the height of the finished cleanout is at or just below the height of the finished floor. (See Zurn Engineering Handbook or EZ1™ Submittal for dimensional heights). Ensure pipe is cut square and free of burrs or debris. See Fig. 1

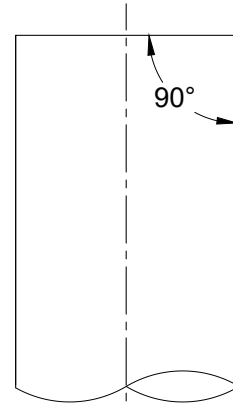


Fig. 1

2. Install drain body on pipe and pressure test connection per local code requirements. See Fig. 2 (Neo-loc body shown for reference)

Ensure that the cleanout plug is installed using an approved thread sealant

**Note: All plastic bodies to be solvent welded to pipe**

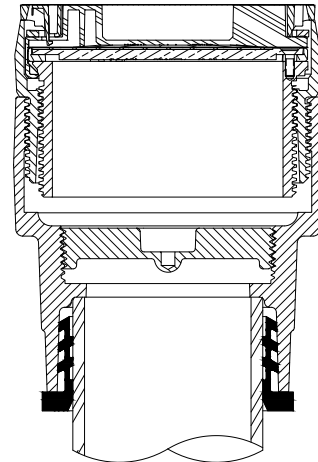
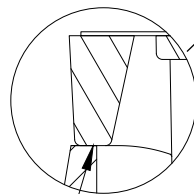


Fig. 2

3. Adjust rough-in cover assembly so the top of the rough-in cover is at the finish floor grade. See Fig. 3

**⚠ Note: Ensure rough-in cover is tight to the concrete shield so no concrete seeps into the assembly**



NO GAP

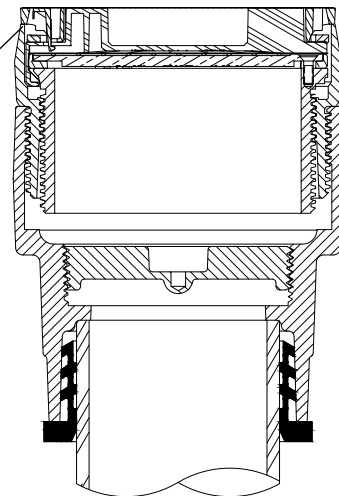


Fig. 3

**⚠ WARNING: Cancer and Reproductive Harm - [www.P65Warnings.ca.gov](http://www.P65Warnings.ca.gov)**

**⚠ ADVERTENCIA: Cáncer y daño reproductivo - [www.P65Warnings.ca.gov](http://www.P65Warnings.ca.gov)**

**⚠ AVERTISSEMENT: Cancer et effets néfastes sur la reproduction - [www.P65Warnings.ca.gov](http://www.P65Warnings.ca.gov)**

Zurn Industries, LLC | Specification Drainage Operation  
1801 Pittsburgh Avenue, Erie, PA 16502, Ph. 855.663.9876

In Canada | Zurn Industries Limited  
7900 Goreway Drive, Unit 10, Brampton, Ontario L6T 5W6, Ph. 877.892.5216

[www.zurn.com](http://www.zurn.com)

Rev.	E
Date:	12/29/2022
C.N. No.	144898
Patent	<a href="http://zurn.com/patents">zurn.com/patents</a>
Dwg. No.	CO18



# EZ1™ CLEANOUT SERIES

## EZ1™ FLOOR CLEANOUT INSTALLATION INSTRUCTIONS

Design and Dimensional Data (inches and [ mm ]) are Subject to Manufacturing Tolerances and Change Without Notice

4. Pour finish floor slab flush to the top of the rough-in cover  
See Fig. 4

**Note: If fixture is above floor surface, it is recommended to hand finish concrete around fixture to avoid damage**

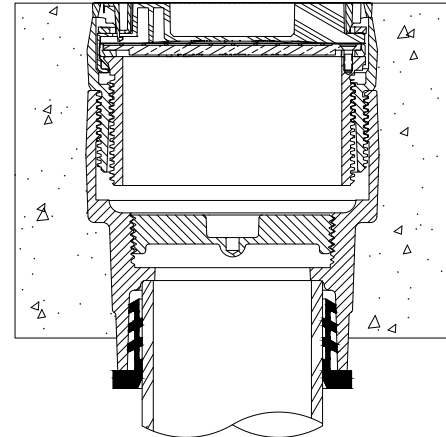


Fig. 4

5. Hit the top of the rough-in cover with a pair of adjustable pliers to loosen bond with the concrete. Continue hitting the rough-in cover until a visible crack forms around the entire circumference of the rough-in cover. The rough-in cover should appear loose (separates from concrete). See Fig. 5

**Note: Be careful to not hit the finished concrete floor as it will chip/damage the finish. Only hit the plastic rough-in cover. Do not use excessive force.**

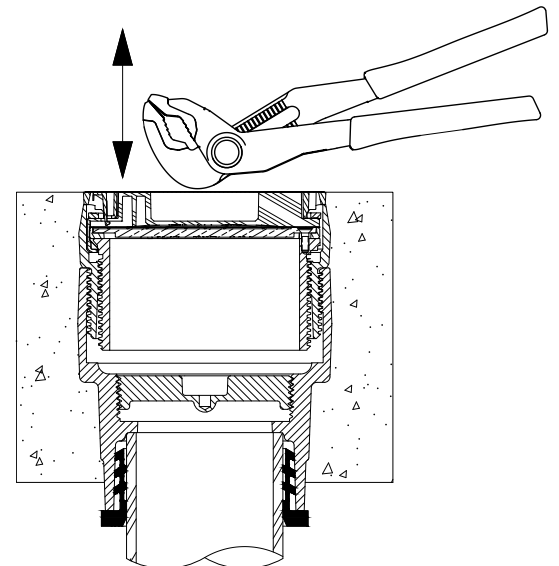


Fig. 5

6. Break the protective label in the center of the rough-in cover to expose a slot. See Fig. 6

**Note: Do not remove entire label. Longer screws and adjustment shims are packaged under the label.**

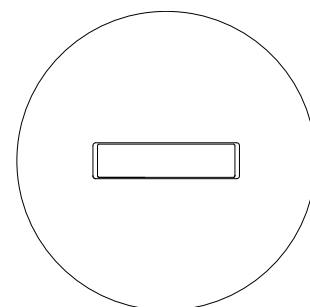


Fig. 6

**⚠ WARNING:** Cancer and Reproductive Harm - [www.P65Warnings.ca.gov](http://www.P65Warnings.ca.gov)

**⚠ ADVERTENCIA:** Cáncer y daño reproductivo - [www.P65Warnings.ca.gov](http://www.P65Warnings.ca.gov)

**⚠ AVERTISSEMENT:** Cancer et effets néfastes sur la reproduction - [www.P65Warnings.ca.gov](http://www.P65Warnings.ca.gov)

Zurn Industries, LLC | Specification Drainage Operation  
1801 Pittsburgh Avenue, Erie, PA 16502, Ph. 855.663.9876

In Canada | Zurn Industries Limited  
7900 Goreway Drive, Unit 10, Brampton, Ontario L6T 5W6, Ph. 877.892.5216

[www.zurn.com](http://www.zurn.com)

Rev. E  
Date: 12/29/2022  
C.N. No. 144898  
Patent [zurn.com/patents](http://zurn.com/patents)  
Dwg. No. CO18

Page 2 of 6



# EZ1™ CLEANOUT SERIES

## EZ1™ FLOOR CLEANOUT INSTALLATION INSTRUCTIONS

Design and Dimensional Data (inches and [ mm ]) are Subject to Manufacturing Tolerances and Change Without Notice

- Placing the back of the adjustable pliers head in the slot, unscrew the rough-in cover assembly counterclockwise until the tabs of the rough-in cover are above the concrete. See Fig. 7

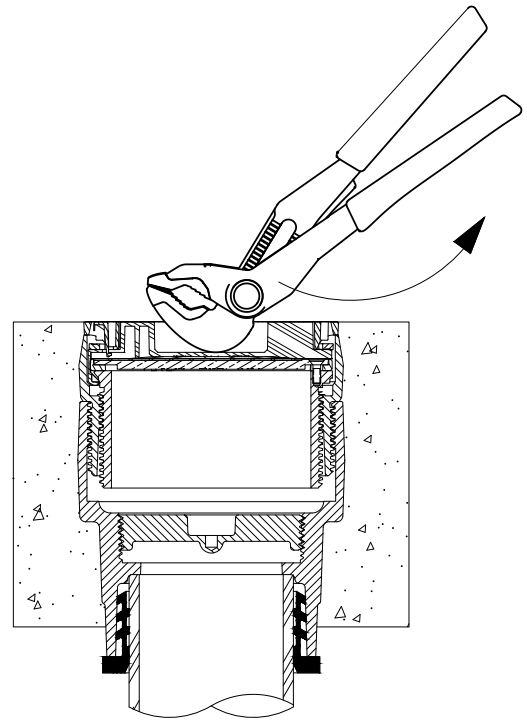
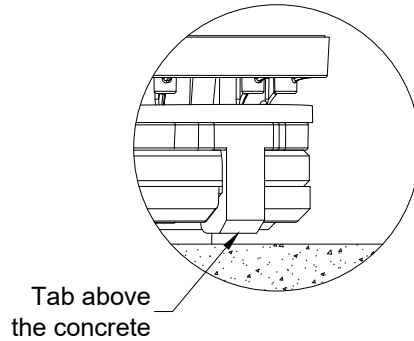


Fig. 7

- Remove rough-in cover. See Fig. 8

**Note: Do not discard the rough-in cover. Longer screws and adjustment shims are under the label and may be needed to adjust for a tilted cleanout.**

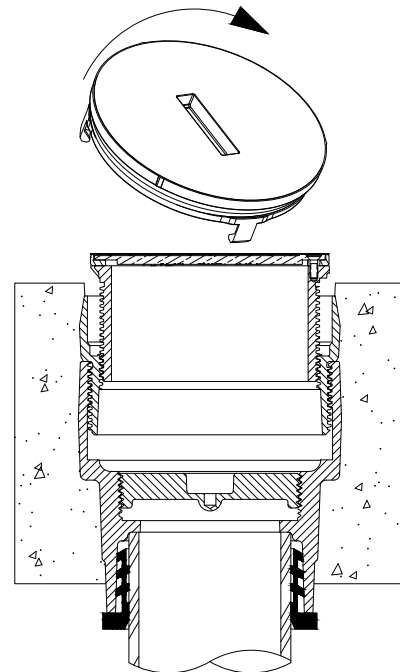


Fig. 8

**⚠ WARNING:** Cancer and Reproductive Harm - [www.P65Warnings.ca.gov](http://www.P65Warnings.ca.gov)  
**⚠ ADVERTENCIA:** Cáncer y daño reproductivo - [www.P65Warnings.ca.gov](http://www.P65Warnings.ca.gov)  
**⚠ AVERTISSEMENT:** Cancer et effets néfastes sur la reproduction - [www.P65Warnings.ca.gov](http://www.P65Warnings.ca.gov)

Zurn Industries, LLC | Specification Drainage Operation  
 1801 Pittsburgh Avenue, Erie, PA 16502, Ph. 855.663.9876

In Canada | Zurn Industries Limited  
 7900 Goreway Drive, Unit 10, Brampton, Ontario L6T 5W6, Ph. 877.892.5216

[www.zurn.com](http://www.zurn.com)

Rev.	E
Date:	12/29/2022
C.N. No.	144898
Patent	<a href="http://zurn.com/patents">zurn.com/patents</a>
Dwg. No.	CO18



# EZ1™ CLEANOUT SERIES

## EZ1™ FLOOR CLEANOUT INSTALLATION INSTRUCTIONS

Design and Dimensional Data (inches and [ mm ]) are Subject to Manufacturing Tolerances and Change Without Notice

### For Slab On Grade Installation (Steps 9 and 10)

If finished fixture is tilted, See Step 13

#### Round

- 9a. Place a bead of silicone around the circumference of the last thread of the head assembly. See Fig. 9R
- 9b. Thread head assembly down until bottom of the frame is flush with the top of the concrete. See Fig. 9R
- 9c. Place a bead of silicone around the perimeter of the cover frame. See Fig. 9R

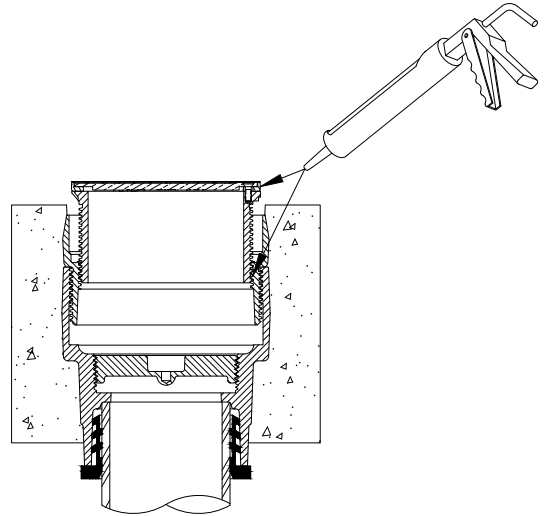


Fig. 9R

10. Turn head assembly clockwise until top of cover is flush with the finish floor. Wipe away excess silicone. Remove protective label once construction is complete. See Fig. 10R

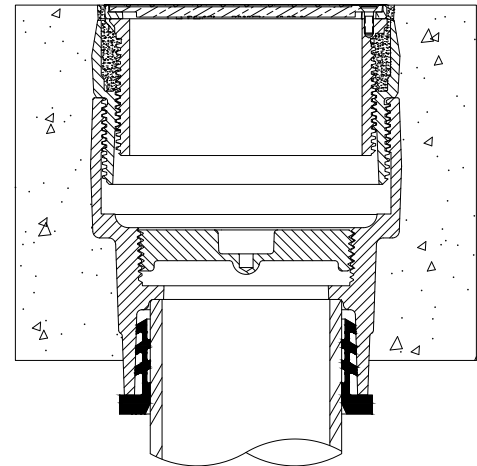


Fig. 10R

#### Square

9. Turn head assembly clockwise until top of strainer is flush with the finish floor. See Fig. 9S
10. Fill in rough-in adapter with cement or grout. Ensure to completely fill in around entire head assembly flush with finished floor. Remove protective label once construction is complete. See Fig. 10S

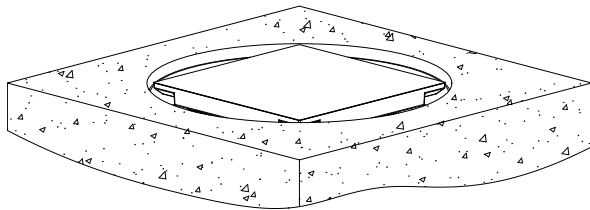


Fig. 9S

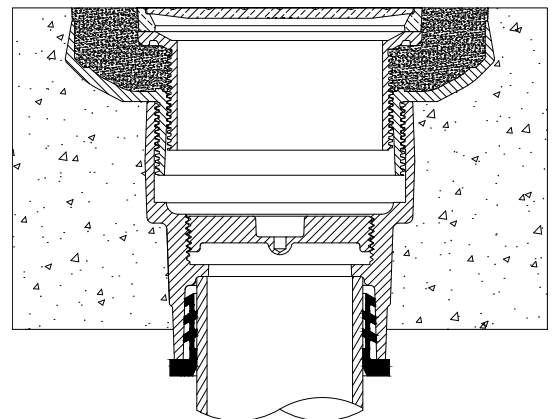


Fig. 10S

**⚠ WARNING:** Cancer and Reproductive Harm - [www.P65Warnings.ca.gov](http://www.P65Warnings.ca.gov)

**⚠ ADVERTENCIA:** Cáncer y daño reproductivo - [www.P65Warnings.ca.gov](http://www.P65Warnings.ca.gov)

**⚠ AVERTISSEMENT:** Cancer et effets néfastes sur la reproduction - [www.P65Warnings.ca.gov](http://www.P65Warnings.ca.gov)

Zurn Industries, LLC | Specification Drainage Operation  
1801 Pittsburgh Avenue, Erie, PA 16502, Ph. 855.663.9876

In Canada | Zurn Industries Limited  
7900 Goreway Drive, Unit 10, Brampton, Ontario L6T 5W6, Ph. 877.892.5216

[www.zurn.com](http://www.zurn.com)

Rev. E  
Date: 12/29/2022  
C.N. No. 144898  
Patent [zurn.com/patents](http://zurn.com/patents)  
Dwg. No. CO18

Page 4 of 6



# EZ1™ CLEANOUT SERIES

## EZ1™ FLOOR CLEANOUT INSTALLATION INSTRUCTIONS

Design and Dimensional Data (inches and [ mm ]) are Subject to Manufacturing Tolerances and Change Without Notice

### For Tile Installation (Steps 11 and 12)

If finished fixture is tilted, See Step 13

#### Round

11. Adjust head assembly to the height of the finished floor.  
See Fig. 11R

12. Install finish flooring per manufacturers instructions.

Remove protective label from strainer once construction is complete.

See Fig. 12R

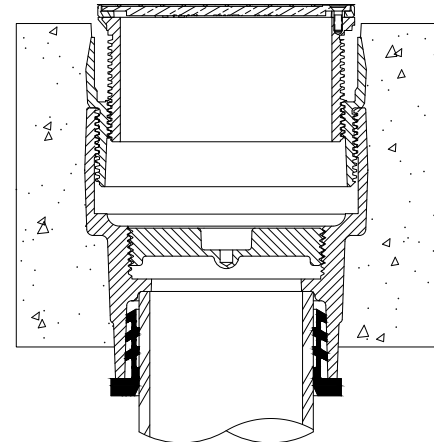


Fig. 11R

#### Square

11a. Adjust head assembly to the height of the finished floor.

See Fig. 11S

11b. Fill in rough-in adapter with cement or grout. Ensure to completely fill in around entire head assembly flush with finished concrete.

See Fig. 11S

12. Install finished flooring per manufacturers instructions.

Remove protective label from strainer once construction is complete.

See Fig. 12S

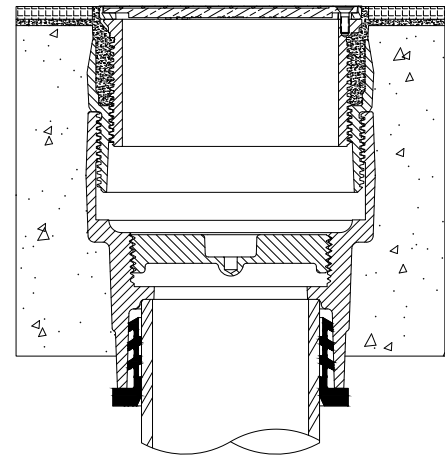


Fig. 12R

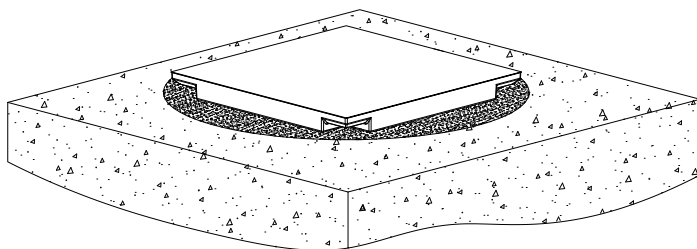


Fig. 11S

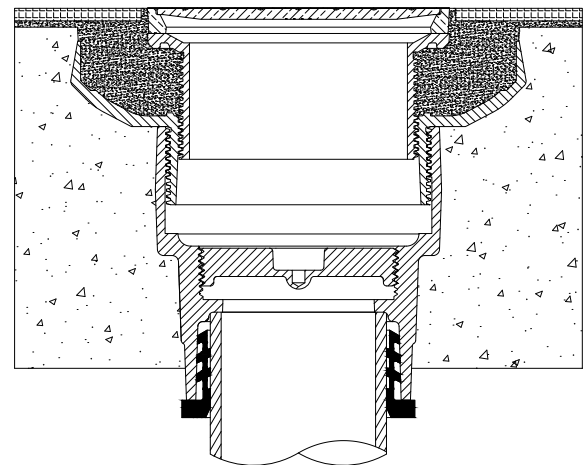


Fig. 12S

**⚠ WARNING:** Cancer and Reproductive Harm - [www.P65Warnings.ca.gov](http://www.P65Warnings.ca.gov)

**⚠ ADVERTENCIA:** Cáncer y daño reproductivo - [www.P65Warnings.ca.gov](http://www.P65Warnings.ca.gov)

**⚠ AVERTISSEMENT:** Cancer et effets néfastes sur la reproduction - [www.P65Warnings.ca.gov](http://www.P65Warnings.ca.gov)

Zurn Industries, LLC | Specification Drainage Operation  
1801 Pittsburgh Avenue, Erie, PA 16502, Ph. 855.663.9876

In Canada | Zurn Industries Limited  
7900 Goreway Drive, Unit 10, Brampton, Ontario L6T 5W6, Ph. 877.892.5216

[www.zurn.com](http://www.zurn.com)

Rev. E  
Date: 12/29/2022  
C.N. No. 144898  
Patent [zurn.com/patents](http://zurn.com/patents)  
Dwg. No. CO18

Page 5 of 6



# EZ1™ CLEANOUT SERIES

## EZ1™ FLOOR CLEANOUT INSTALLATION INSTRUCTIONS

Design and Dimensional Data (inches and [ mm ]) are Subject to Manufacturing Tolerances and Change Without Notice

### For Correcting a Tilted Drain (Steps 13, 14 and 15)

13. Remove cover and cover frame from installed head assembly

See Fig. 13

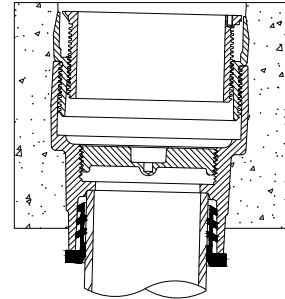
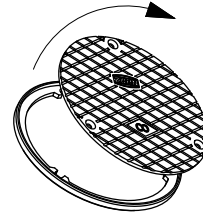


Fig. 13

14. A shim set and longer screws are included under the label of the rough-in cover.

Install shims on shank and adjust/rotate shims as needed to bring cover level with the finished floor. (Included shims can adjust for up to 1/4" [6 mm] of tilt. See Fig. 14

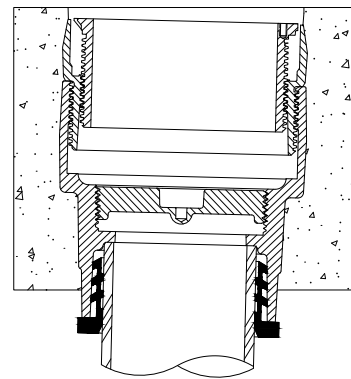
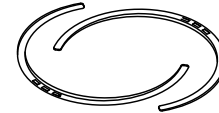


Fig. 14

15. Reinstall cover frame and cover. Use included longer screws as needed. Torque screws to 16-18 in-lbs [18.5-20.5 cm-kg]

Remove protective label from cover once construction is complete. See Fig. 15a for Slab on Grade Installation and Fig. 15b for tile installation

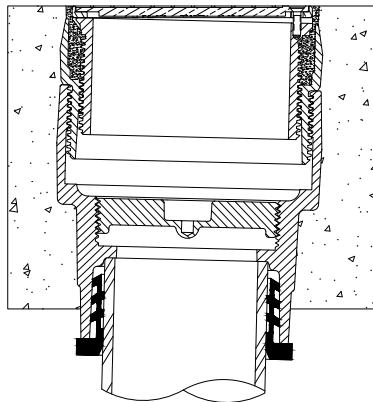


Fig. 15a

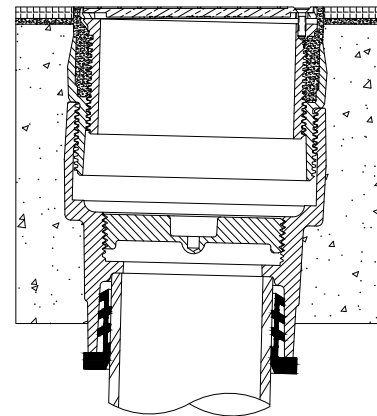


Fig. 15b

**⚠ WARNING:** Cancer and Reproductive Harm - [www.P65Warnings.ca.gov](http://www.P65Warnings.ca.gov)

**⚠ ADVERTENCIA:** Cáncer y daño reproductivo - [www.P65Warnings.ca.gov](http://www.P65Warnings.ca.gov)

**⚠ AVERTISSEMENT:** Cancer et effets néfastes sur la reproduction - [www.P65Warnings.ca.gov](http://www.P65Warnings.ca.gov)

Zurn Industries, LLC | Specification Drainage Operation  
1801 Pittsburgh Avenue, Erie, PA 16502, Ph. 855.663.9876

In Canada | Zurn Industries Limited  
7900 Goreway Drive, Unit 10, Brampton, Ontario L6T 5W6, Ph. 877.892.5216

[www.zurn.com](http://www.zurn.com)

Rev.	E
Date:	12/29/2022
C.N. No.	144898
Patent	<a href="http://zurn.com/patents">zurn.com/patents</a>
Dwg. No.	CO18