



Nachi Series™

Wall-Mounted Sensor-Operated
Lavatory Faucets for Battery or
Plug-In Installations.

Installation, Operation, Maintenance,
and Parts Manual



Wall-Mounted Sensor-Operated Battery-Powered Lavatory Faucets

LIMITED WARRANTY

All goods sold hereunder are warranted to be free from defects in material and factory workmanship for a period of three years from the date of purchase. Decorative finishes warranted for one year. We will replace at no costs goods that prove defective provided we are notified in writing of such defect and the goods are returned to us prepaid at Sanford, NC, with evidence that they have been properly maintained and used in accordance with instructions. We shall not be responsible for any labor charges or any loss, injury or damages whatsoever, including incidental or consequential damages. The sole and exclusive remedy shall be limited to the replacement of the defective goods. Before installation and use, the purchaser shall determine the suitability of the product for his intended use and the purchaser assumes all risk and liability whatever in connection therewith. Where permitted by law, the implied warranty of merchantability is expressly excluded. If the products sold hereunder are "consumer products," the implied warranty of merchantability is limited to a period of three years and shall be limited solely to the replacement of the defective goods. All weights stated in our catalogs and lists are approximate and are not guaranteed.

⚠ **WARNING:** Cancer and Reproductive Harm - www.P65Warnings.ca.gov

⚠ **ADVERTENCIA:** Cáncer y daño reproductivo - www.P65Warnings.ca.gov

⚠ **AVERTISSEMENT:** Cancer et effets néfastes sur la reproduction - www.P65Warnings.ca.gov

NOTE: The information in this manual is subject to change at any time without notice. Installations may be performed at different times of construction by different individuals. For this reason, these instructions should be left on-site with the facility or maintenance manager.

NOTICE: READ ENTIRE MANUAL PRIOR TO INSTALLING PRODUCT.

Rev. D | Date: 11/25/22 | C.N. No. 144945 | Prod./Dwg. No. FV615

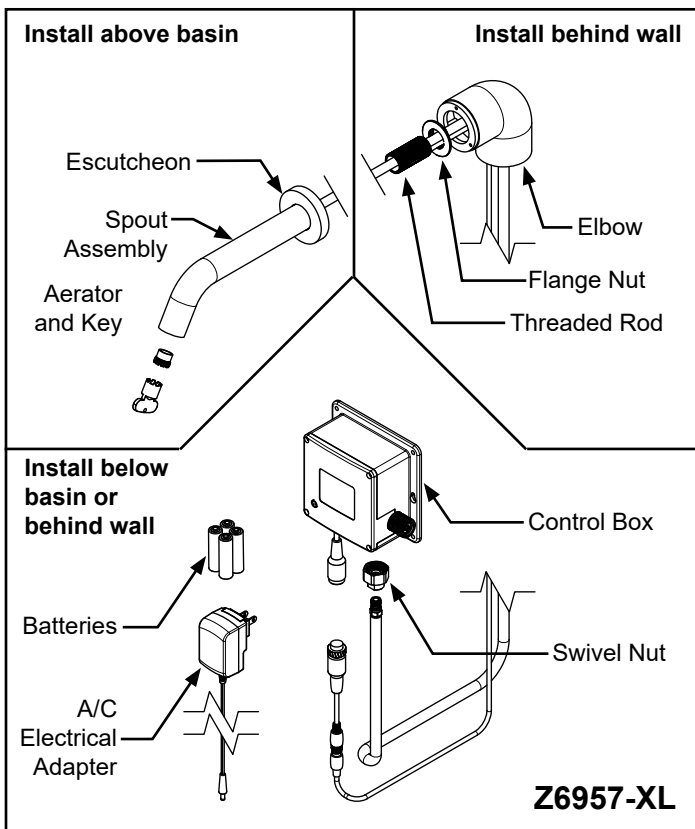
Patent zurn.com/patents

US 1.855.0NE.ZURN CANADA 1.877.892.5216

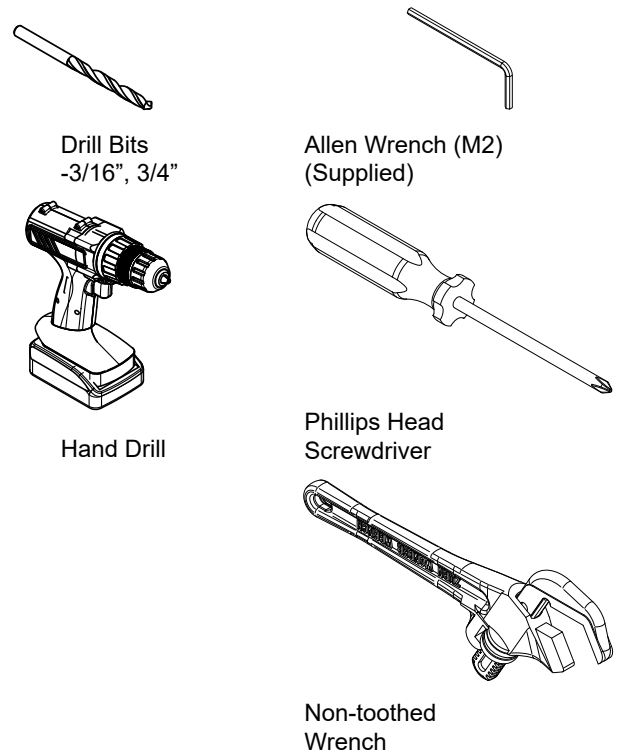
ZURN.COM

by **ZURN ELKAY** Water Solutions

Nachi Faucet Package Contents



Required Tools:



Overview:

The Nachi faucet maintains a sleek and simple design with robust sensor operation suitable for any washroom environment.

Specifications:

Voltage:	6 VDC Series [4 "AA" alkaline batteries and/or 110V/60Hz electrical outlet power option]
Sensor Range:	Manually calibrated
Operating Water Pressure:	10-100 psi
Operational Water Temperature:	33°F to 110°F (1°C to 45°C)
Aerator:	0.5 GPM Vandal-Resistant (Standard)
Automatic Timeout:	30 seconds

Important Safety Information:

- Installer is responsible for ensuring the product is installed and conforms to all plumbing codes and ordinances.
- Do not convert or modify this Zurn product yourself. All warranties will be voided.
- Water supply lines must be sized according to building designer in order to provide adequate water supply for each fixture.
- Flush all water lines prior to making connections.

Prior to Installation:

Before installing your Zurn Nachi Faucet: the items listed below should already be installed on site.

- Lavatory/sink
- Drain Line
- Hot and cold water supply line or pre-tempered water supply line.
- Installer/Serviceur should not use pipe dope or teflon/thread sealant anywhere on this product, most notably threads and connection points.
- Care shall be taken when installing this product to prevent marring of any exposed or decorative surfaces.

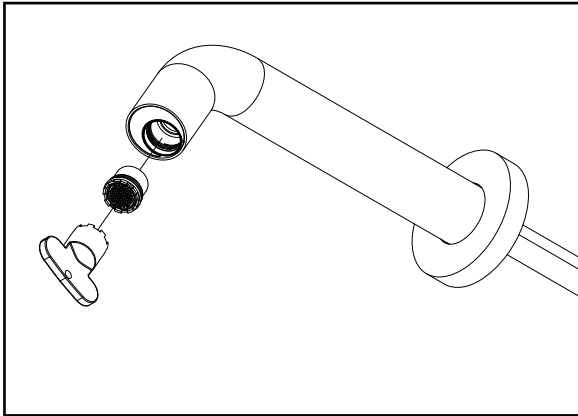
! Be sure the sink/lavatory/basin is clear from any objects upon making the sensor to electronics connection initiating the self-calibration feature. The sink must be clear of any and all objects in order to calibrate appropriately (calibration time approx 30-60sec).

Spout Installation

Note: Zurn recommends installing the faucet spout prior to finishing the wall (e.g. with tile). A minimum clearance depth of 4" behind the wall is recommended. The faucet spout cannot be installed directly in front of wall studs or other rigid supports.

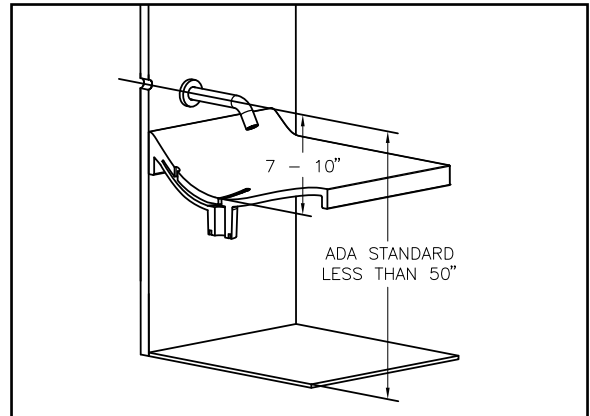
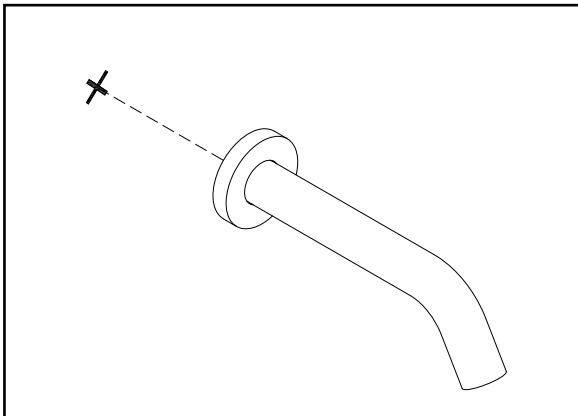
1.1. Carefully screw aerator into spout using included tool.

⚠ Take care to not pinch blue o-ring



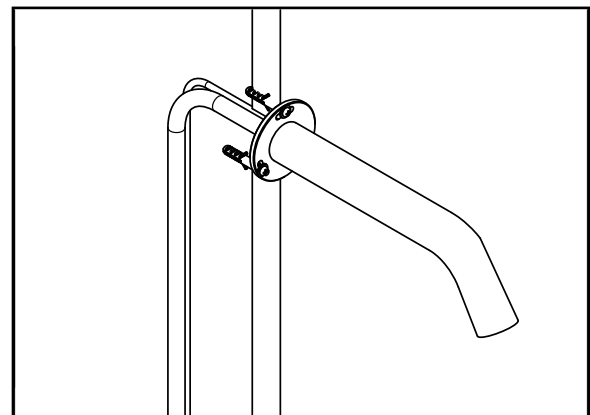
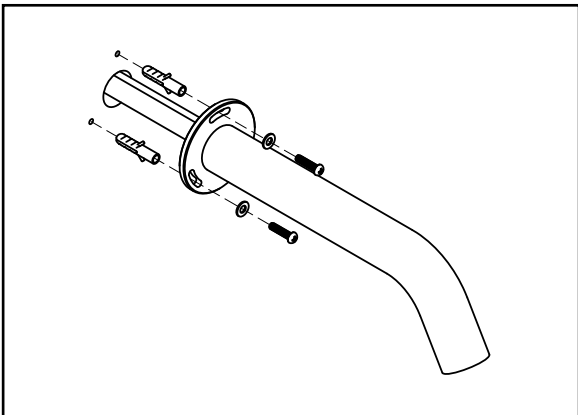
1.2. Mark center-point of faucet spout and drill a 3/4" hole on the previous marked center-point.

Note: It is recommended to horizontally align faucet spout with center of sink drain and vertically 7-10" above the sink drain. To comply with ADA standards, faucet spout must be mounted less than 50" from finished floor.

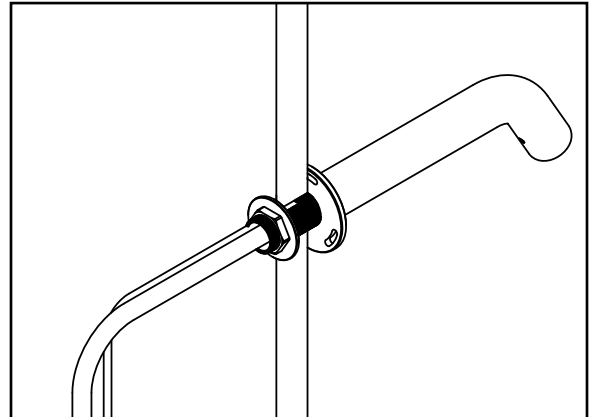
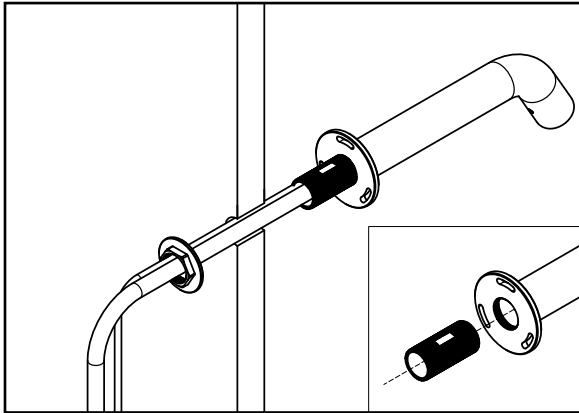


1.3. There are four methods of securing the spout to the wall:

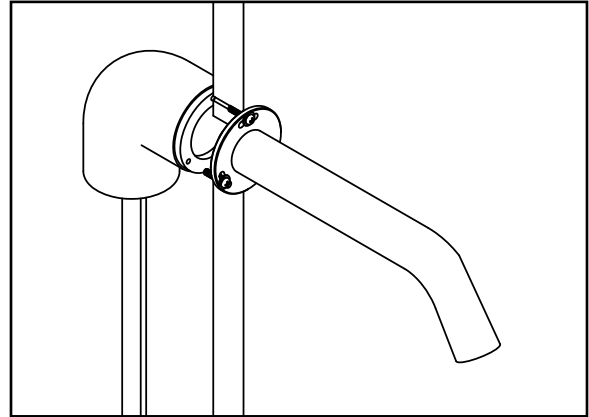
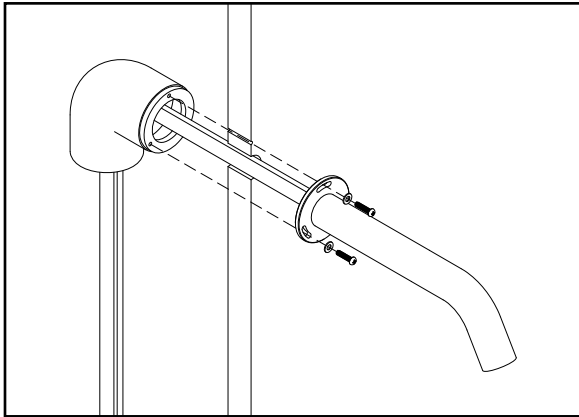
a. **Drywall Anchor Method (Recommended):** Mark the slots of the spout's flange and drill 3 equally-spaced 3/16" (4mm) holes. Insert the drywall anchors into the holes. Feed the hose and sensor cable through the hole in the wall, starting with the sensor cable first. Then, attach the spout to the wall using the supplied screws.



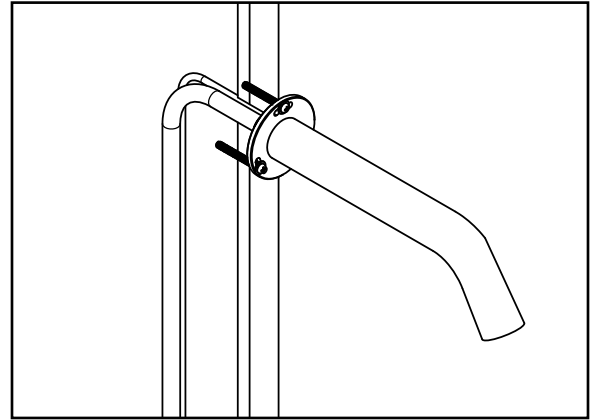
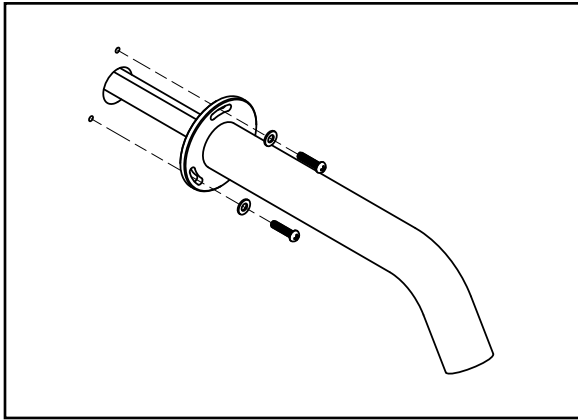
- b. **Threaded Shaft Method:** Thread on the threaded rod onto the faucet spout. Feed the hose and sensor cable through the hole in the wall, starting with the sensor cable first. Then, attach the flanged nut onto the threaded shaft of the spout by hand, behind the wall. Ensure the spout is correctly oriented into the basin and continue tightening the nut with a wrench.
Note: Avoid over-tightening to prevent damage to the wall.



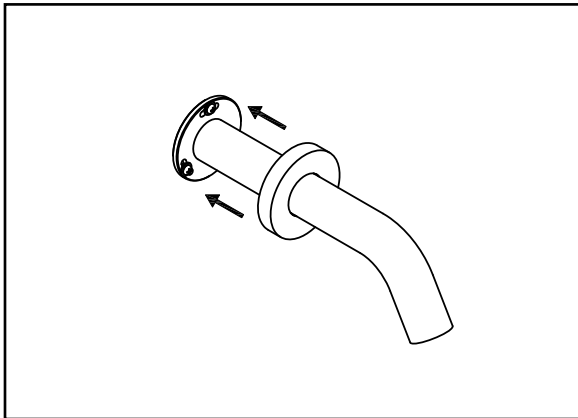
- c. **Elbow Method:** Mark the slots of the spout's flange and drill 3 equally-spaced holes with minimum drill bit size of 3/16" (4mm). Slip the sensor cabling and flexible hose through the elbow such that the brass on the elbow contacts the back side of the wall. Thread the M4 screws through the spout flange and into the threaded holes of the elbow. Tip: By hand, insert each screw into the threaded holes, and barely tighten. Then use a screwdriver to tighten each screw in a clockwise pattern little by little until tightened.



- d. **Plywood Method:** If the restroom has a plywood backing of minimum 1/2" thickness behind the wall, use a hand drill to fasten the spout to the wall using the provided 3 coarse-threaded screws. Pre-drilling pilot holes is not required.

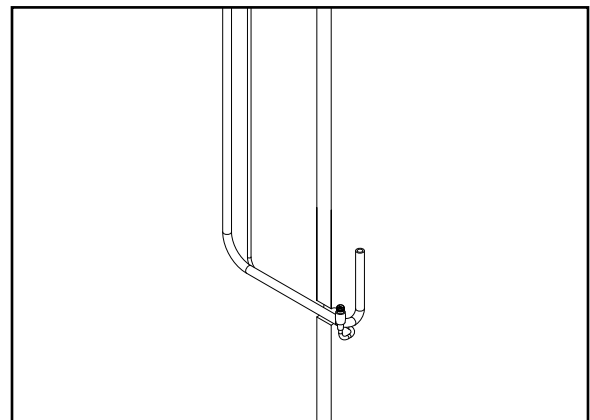
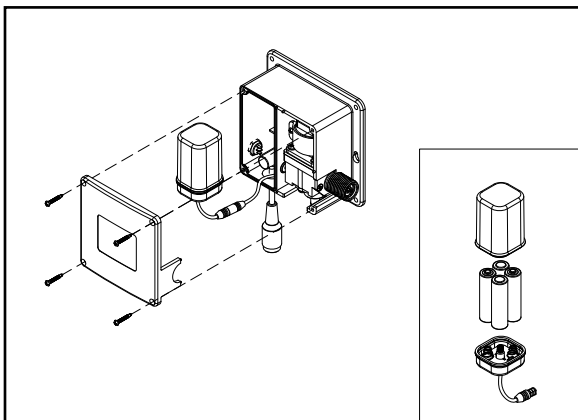


- 1.4. Slide escutcheon over spout and onto wall surface.



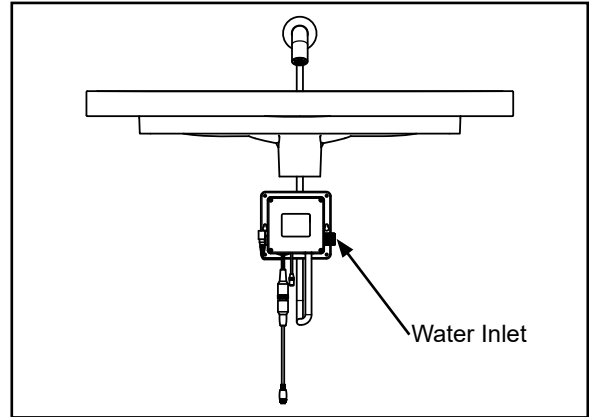
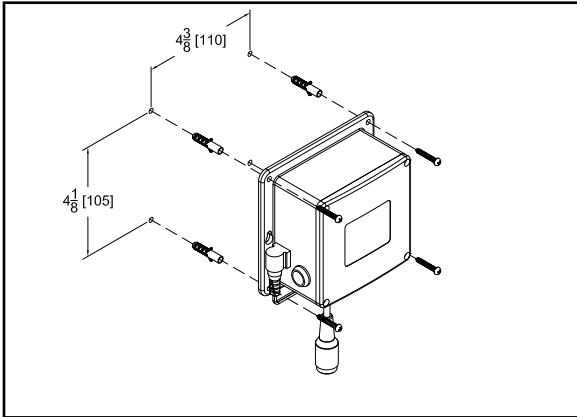
Control Box Installation

- 2.1. Remove the four screws from the control box. Remove the control box cover. Remove the battery box from the control box, and gently remove the screw from the battery box cover. Install AA batteries in the orientation shown. *Note: Use only alkaline AA batteries.* Re-install the battery box cover, matching the alignment arrows together. Set the battery box back into the control box, and re-install the control box cover using the previously removed screws.
- 2.2. Choose a location *under the sink basin* or behind the wall to mount the control box, such that the sensor cable, flexible hose, and incoming water supply all connect to the control box. Under the sink basin, drill a hole minimum 3/4" to fit the sensor cable and flexible hose from the spout. Feed the sensor cable and flexible hose through the hole.

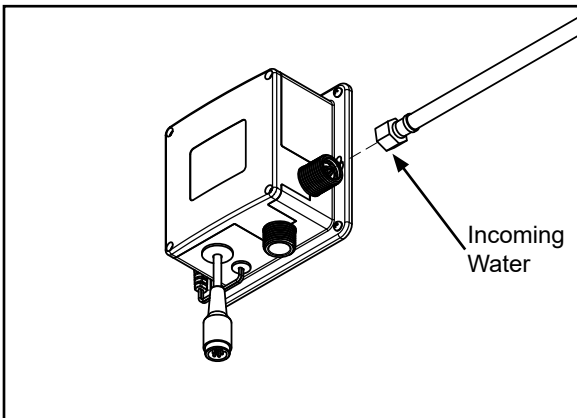


Control Box Installation - Continued

- 2.3. Mount the control box to the wall in the orientation shown. Drill four 1/8" (3mm) holes as shown, and push drywall anchors into each hole. Secure the control box to the wall with the drywall screws.

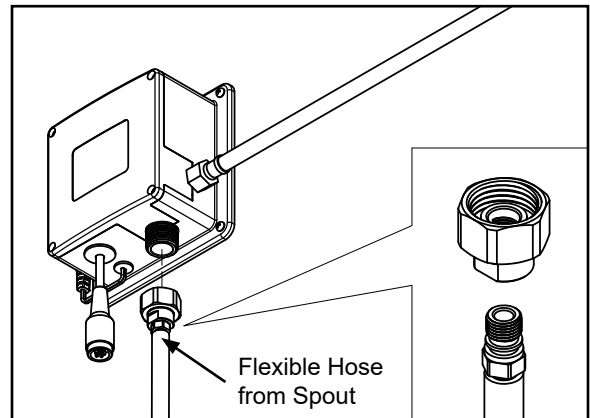


- 2.4. Connect the incoming water supply line to the control box, at the connection marked *Inlet*.



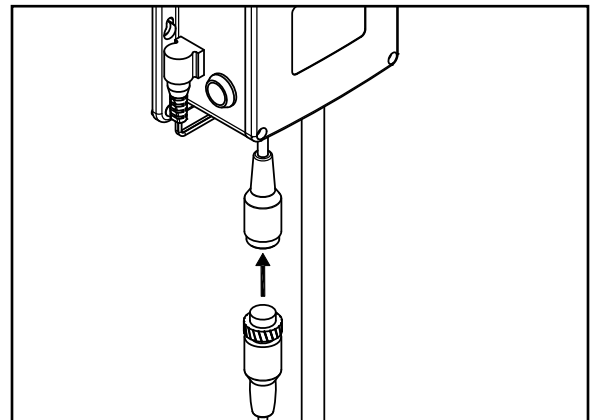
- 2.5. Thread on the swivel nut to the hose by hand. Tighten with a wrench

- 2.6. Connect the faucet hose to the control box, at the connection marked *Outlet*.



- 2.7. Slide sensor cable connector over the sensor cable connector on the control box and tighten by hand.

Note: Prior to connecting the sensor cable to the control box, open the water supply stop valve and ensure the sink basin is completely clean and clear of objects, or the sensor will not correctly calibrate. See page 6 for instructions on recalibration. Please wait approximately 60 seconds after connecting the sensor cable for sensor calibration to complete and to begin using the faucet.



Maintenance and Care

TROUBLESHOOTING GUIDE:

POTENTIAL SITUATIONS	POSSIBLE CAUSES	SUGGESTED SOLUTION TIPS
Faucet un-responsive / No water out	Battery voltage low or no power.	Change batteries and/or verify power provided from –ACA.
	Poor cable connection(s) / Bent pins.	Check for bent pins. Re-connect all cable connections.
	Dirt in filter.	Clean the filter.
	Water supply off / too low.	Ensure water supply is between 10-100psi.
	Scratches/dirt on sensor lens.	Clean sensor lens.
Continuous water flow	Scratches/dirt on sensor lens.	Clean sensor lens.
	Shorted pins.	Replace control box.
	Inlet and outlet hoses swapped.	Ensure incoming water supply connected to 'inlet' and faucet hose connected to 'outlet'.
Low flow	Water supply pressure too low.	Increase water supply pressure.
	Dirt in filter.	Clean the filter.
	Debris in aerator.	Clean the aerator.
High flow	Water supply pressure too high.	Reduce water supply pressure.
Short battery life	Incorrect battery type.	Use only alkaline batteries.
LED indicator light off	Battery voltage low or no power.	Change batteries and/or verify power provided from –ACA.
	Poor battery connection.	Check orientation of batteries in battery box.

For further assistance with troubleshooting visit <http://www.zurn.com>

Care and Cleaning Instructions:

- Do not use any abrasive or chemical cleaners to clean the faucets.
- If abrasives or chemicals are used it can lead to dulling of luster, attacking of chrome plating or decorative finishes.
- ONLY use mildly warm soapy water, and then wipe the device dry with a clean/soft towel or cloth.
- Upon cleaning other areas of the restroom be sure the sensor lenses are protected from other cleaning chemicals/solvents to prevent potential damages to the sensor and/or electronics.

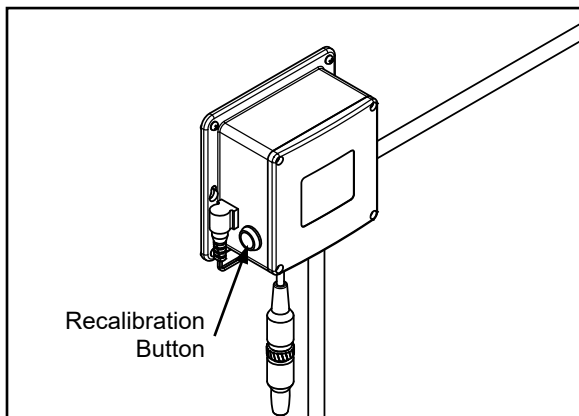
Filter Cleaning Instructions

1. Turn off incoming water supply.
2. Loosen and remove incoming water supply hose from control box.
3. Remove filter from threaded water supply connection.
4. Clean filter with soft brush
5. Replace filter and incoming water supply hose to control box.

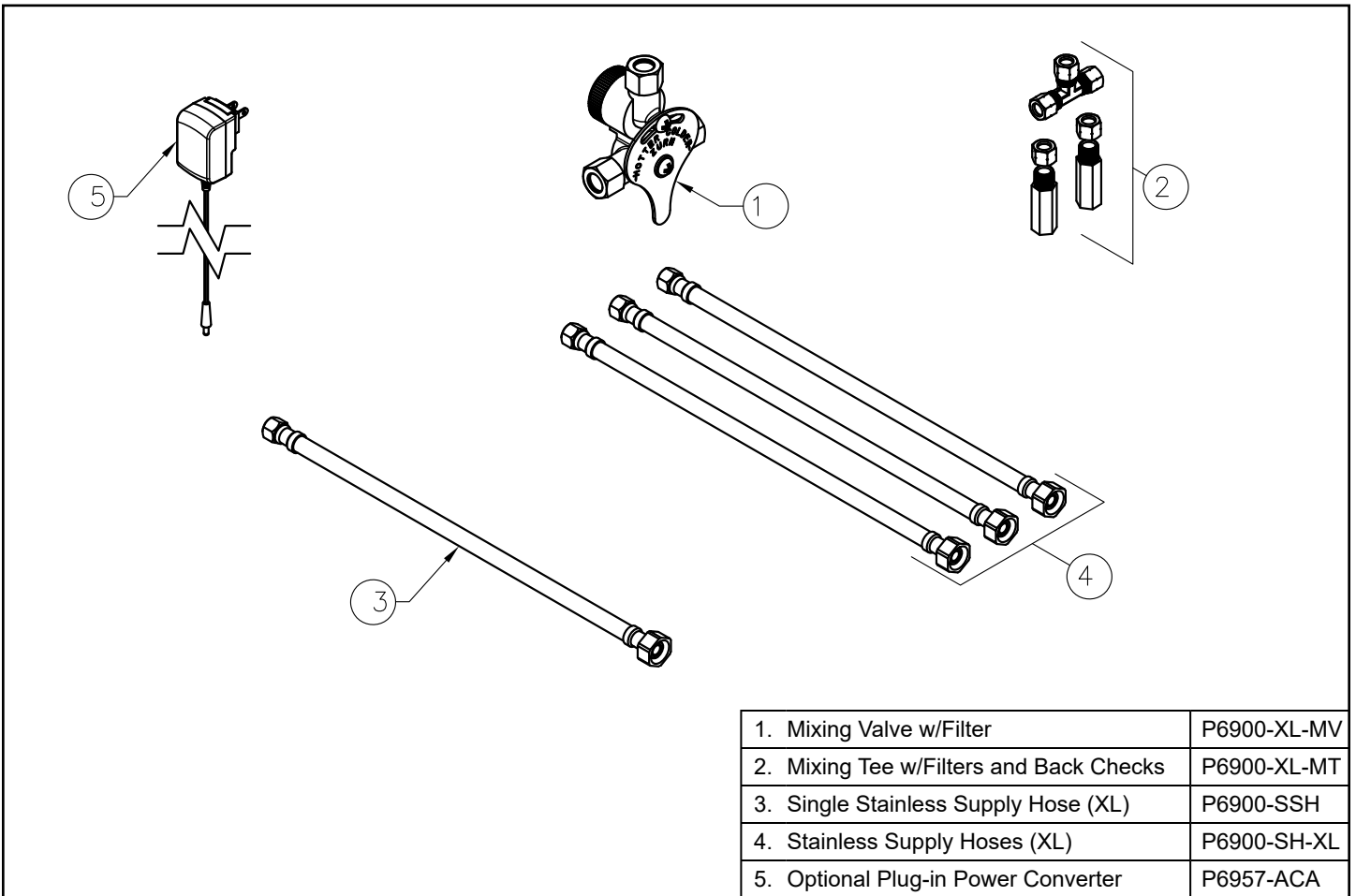
Recalibration Instructions

If your faucet sensor did not correctly calibrate initially or the lavatory environment has changed (e.g. light color, light intensity, sink basin color, sink basin geometry, faucet position, etc.), the faucet can be recalibrated.

On the control box, press and hold the recalibration button for at least three seconds. When the calibration cycle starts, water will flow from the faucet for approximately 10 seconds. The total calibration time is approximately 30-60 seconds.



Z6957-XL Serviceable Parts List



Rev. D | Date: 11/25/22 | C.N. No. 144945 | Prod./Dwg. No. FV615

Patent zurn.com/patents

US 1.855.ONE.ZURN CANADA 1.877.892.5216

ZURN.COM

by **ZURN ELKAY** Water Solutions