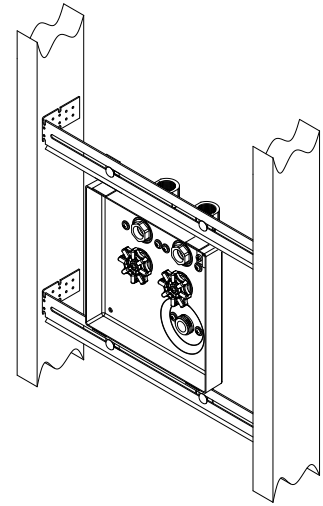




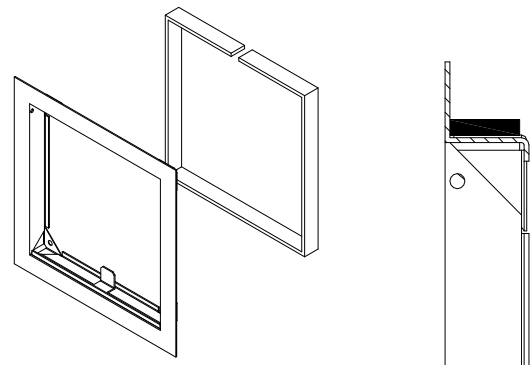
Z1327-EZ FRAME INSTALLATION INSTRUCTIONS NARROW WALL HOT/COLD HYDRANT WITH MOUNTING BRACKETS

Step 1: Before proceeding with the following instructions, read Mounting Bracket Installation Instructions, (Form #H38) provided with the bracket hardware bag, and follow instructions therein.

Step 2: Once the Hydrant Box is properly attached to the mounting brackets and installed within the stud wall, the wall finish is applied around the box.

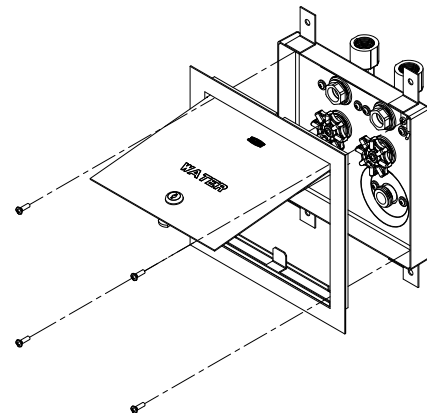


Step 3: Remove the paper backing from the gasket strip provided and adhere to the outer surface of the frame. Start from the top surface of the frame and wrap the gasket all around the frame. Make sure that the gasket is placed so that it is adjacent to the back corner of the frame cover (as shown in picture). Press firmly against the gasket to ensure that it makes sufficient adhesion with the frame.



Step 4: Once the gasket is applied, make sure that the frame is oriented so that the hinged cover opens in an upward position. Slide the frame assembly into the hydrant box until the frame cover presses up against the finished wall surface.

Step 5: Secure the frame assembly to the hydrant box using the hardware provided. The box cover can be removed to access the top securing holes by retracting the spring-loaded hinge pin on the cover. Replace the cover once the frame is secured.



⚠ WARNING: Cancer and Reproductive Harm - www.P65Warnings.ca.gov
⚠ ADVERTENCIA: Cáncer y daño reproductivo - www.P65Warnings.ca.gov
⚠ AVERTISSEMENT: Cancer et effets néfastes sur la reproduction - www.P65Warnings.ca.gov