

Model RFK4X3-400ST

LEAD-FREE*



Competitor backflow retrofit kit

Adapts 4" 400ST for use with 3" risers with 12.5" center-to-center spacing
450ST, 450STDA, 475ST, 475STDA

❑ Installation ❑ Maintenance Instructions

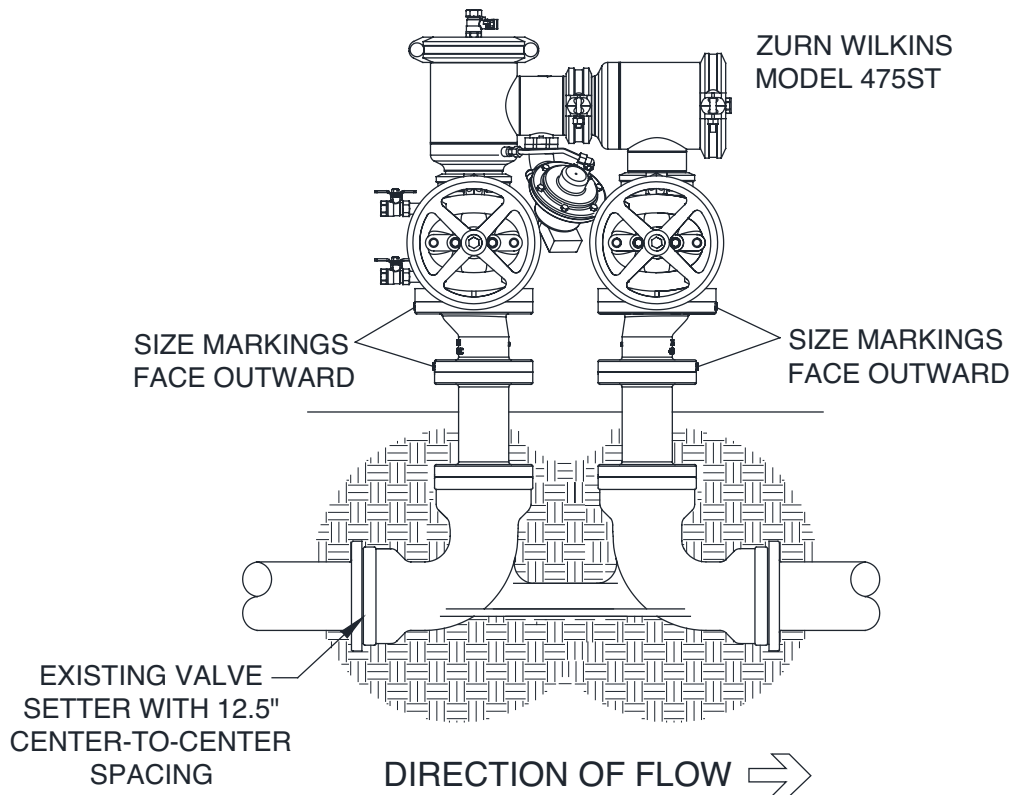
CAUTION: Installation of Backflow Preventers must be performed by qualified, licensed personnel. The installer should be sure the proper device has been selected for the particular installation. Faulty installation could result in an improperly functioning device.

Refer to documents IS450ST and IS475ST backflow preventer installation instruction sheets for additional information on 400ST series backflow preventer installation instructions.

*This product contains a weighted average lead content less than 0.25% for wetted surfaces.

Installation Instructions

1. Before installing a 400ST Series Backflow Preventer, flush the line thoroughly to remove all debris, chips and other foreign matter. If required, a strainer should be placed upstream of the Backflow Preventer. **CAUTION: Do not use a strainer in seldom used emergency waterlines such as fire lines.**
2. Provide adequate space around the installed unit so that the test cocks will be accessible for testing and servicing.
3. Install the adapters above the existing 3" risers that are spaced 12.5" center-to-center. The size markings must face outwards, away from the middle of the setter to achieve 14" center-to-center spacing between the 4" flanges.
4. Install 4" 400ST per model specific installation instructions.
5. Always consult local codes for installation methods, approvals and guidance.



⚠ **WARNING:** Cancer and Reproductive Harm - www.P65Warnings.ca.gov
⚠ **ADVERTENCIA:** Cáncer y daño reproductivo - www.P65Warnings.ca.gov
⚠ **AVERTISSEMENT:** Cancer et néfastes sur la reproduction - www.P65Warnings.ca.gov



ZURN WILKINS

1747 Commerce Way, Paso Robles, CA 93446 Phone:855-663-9876 Fax:805-238-5766