

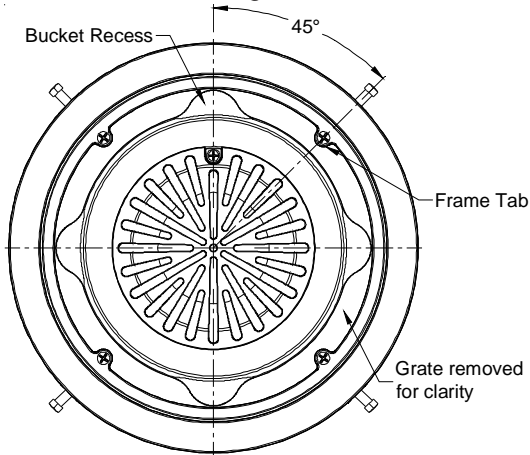


# FS8 and FS12

## FLOOR SINK VENEER FRAME AND GRATE INSTALLATION INSTRUCTIONS

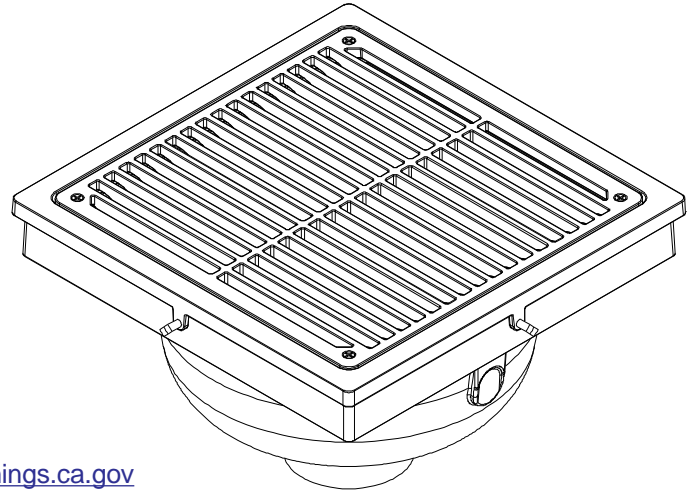
1. Place frame over body.

- For round floor sink, ensure tabs of frame are offset 45 degrees from bucket recess



2. Adjust set screws to center frame over body.

3. Hand tighten, plus 1/2 turn to ensure snug fit.



**⚠ WARNING:** Cancer and Reproductive Harm - [www.P65Warnings.ca.gov](http://www.P65Warnings.ca.gov)

**⚠ ADVERTENCIA:** Cáncer y daño reproductivo - [www.P65Warnings.ca.gov](http://www.P65Warnings.ca.gov)

**⚠ AVERTISSEMENT:** Cancer et effets néfastes sur la reproduction - [www.P65Warnings.ca.gov](http://www.P65Warnings.ca.gov)

Zurn Industries, LLC | Specification Drainage Operation  
1801 Pittsburgh Avenue, Erie, PA U.S.A. 16502 · Ph. 855-663-9876, Fax 814-454-7929

In Canada | Zurn Industries Limited  
7900 Goreway Drive, Unit 10, Brampton, Ontario L6T 5W6, Ph. 877.892.5216

[www.zurn.com](http://www.zurn.com)

Rev.	-
Date:	10/8/2019
C.N. No.	142003
Form. No.	LC36

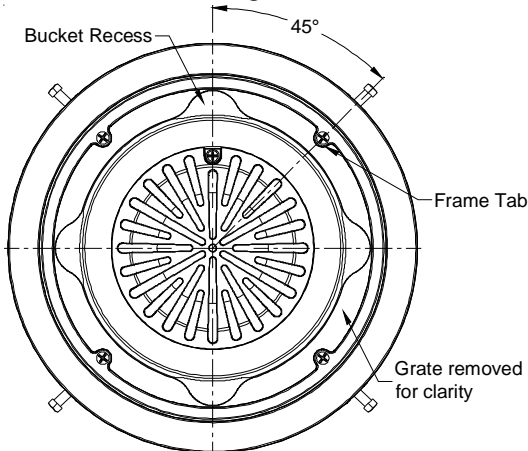


# FS8 and FS12

## FLOOR SINK VENEER FRAME AND GRATE INSTALLATION INSTRUCTIONS

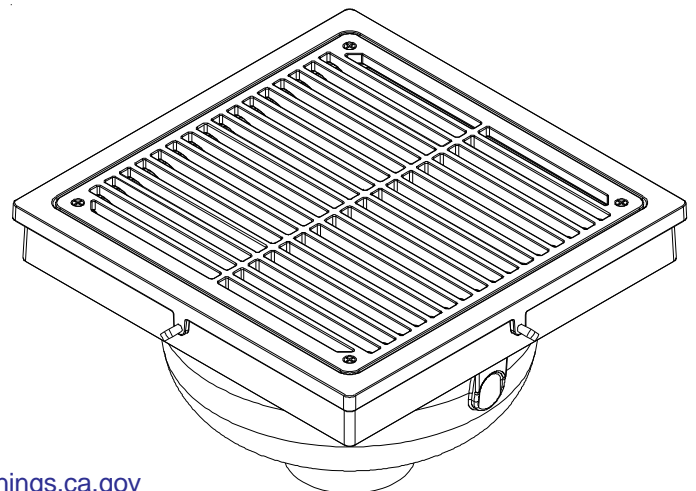
1. Place frame over body.

- For round floor sink, ensure tabs of frame are offset 45 degrees from bucket recess



2. Adjust set screws to center frame over body.

3. Hand tighten, plus 1/2 turn to ensure snug fit.



**⚠ WARNING:** Cancer and Reproductive Harm - [www.P65Warnings.ca.gov](http://www.P65Warnings.ca.gov)

**⚠ ADVERTENCIA:** Cáncer y daño reproductivo - [www.P65Warnings.ca.gov](http://www.P65Warnings.ca.gov)

**⚠ AVERTISSEMENT:** Cancer et effets néfastes sur la reproduction - [www.P65Warnings.ca.gov](http://www.P65Warnings.ca.gov)

Zurn Industries, LLC | Specification Drainage Operation  
1801 Pittsburgh Avenue, Erie, PA U.S.A. 16502 · Ph. 855-663-9876, Fax 814-454-7929

In Canada | Zurn Industries Limited  
7900 Goreway Drive, Unit 10, Brampton, Ontario L6T 5W6, Ph. 877.892.5216

[www.zurn.com](http://www.zurn.com)

Rev.	-
Date:	10/8/2019
C.N. No.	142003
Form. No.	LC36