



Alamere Series™ Soap Dispenser

Sensor-Operated Lavatory Soap
Dispenser Installations.

Installation, Operation, Maintenance,
and Parts Manual

Patented and Patents Pending






Z6954-SD Alamere Series

Sensor-Operated
Lavatory Soap Dispenser

LIMITED WARRANTY

All goods sold hereunder are warranted to be free from defects in material and factory workmanship for a period of three years from the date of purchase. Decorative finishes warranted for one year. We will replace at no costs goods that prove defective provided we are notified in writing of such defect and the goods are returned to us prepaid at Sanford, NC, with evidence that they have been properly maintained and used in accordance with instructions. We shall not be responsible for any labor charges or any loss, injury or damages whatsoever, including incidental or consequential damages. The sole and exclusive remedy shall be limited to the replacement of the defective goods. Before installation and use, the purchaser shall determine the suitability of the product for his intended use and the purchaser assumes all risk and liability whatever in connection therewith. Where permitted by law, the implied warranty of merchantability is expressly excluded. If the products sold hereunder are "consumer products," the implied warranty of merchantability is limited to a period of three years and shall be limited solely to the replacement of the defective goods. All weights stated in our catalogs and lists are approximate and are not guaranteed.

NOTICE: READ ENTIRE MANUAL PRIOR TO INSTALLING PRODUCT.

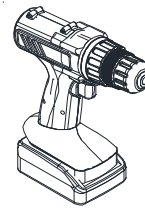
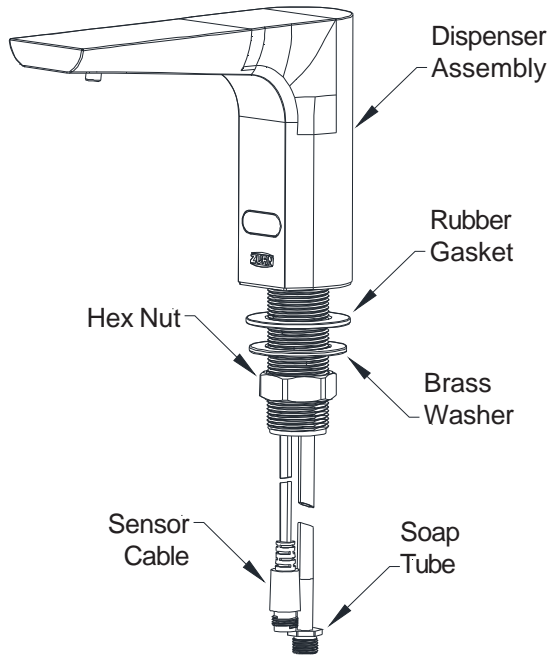
-  **WARNING:** Cancer and Reproductive Harm - www.P65Warnings.ca.gov
-  **ADVERTENCIA:** Cáncer y daño reproductivo - www.P65Warnings.ca.gov
-  **AVERTISSEMENT:** Cancer et effets néfastes sur la reproduction - www.P65Warnings.ca.gov

NOTE: The information in this manual is subject to change at any time without notice. Installations may be performed at different times of construction by different individuals. For this reason, these instructions should be left on-site with the facility or maintenance manager.

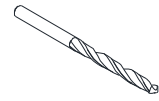
Alamere Series Soap Dispenser Package Contents

Z6954-SD

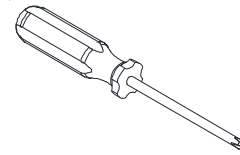
Required Tools:



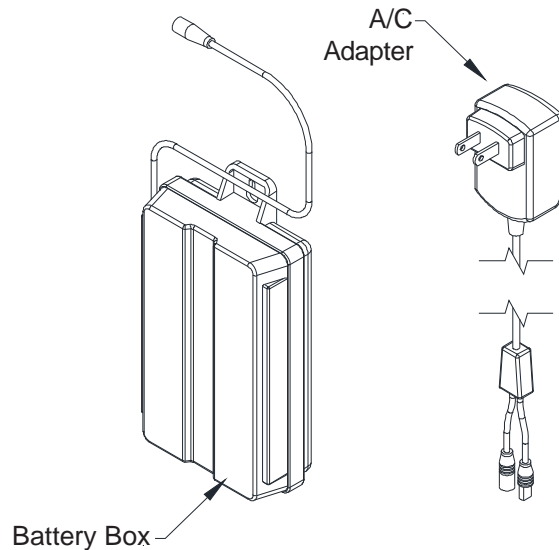
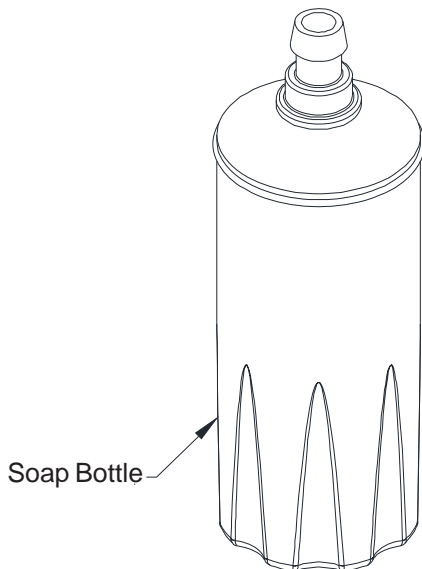
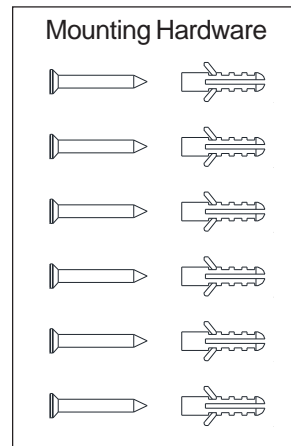
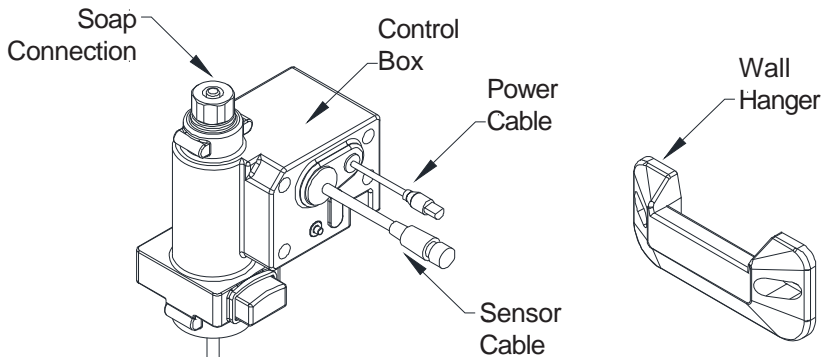
Hand Drill



Drill Bits
-3/16", 1 1/4"



Phillips Head
Screwdriver



Specifications

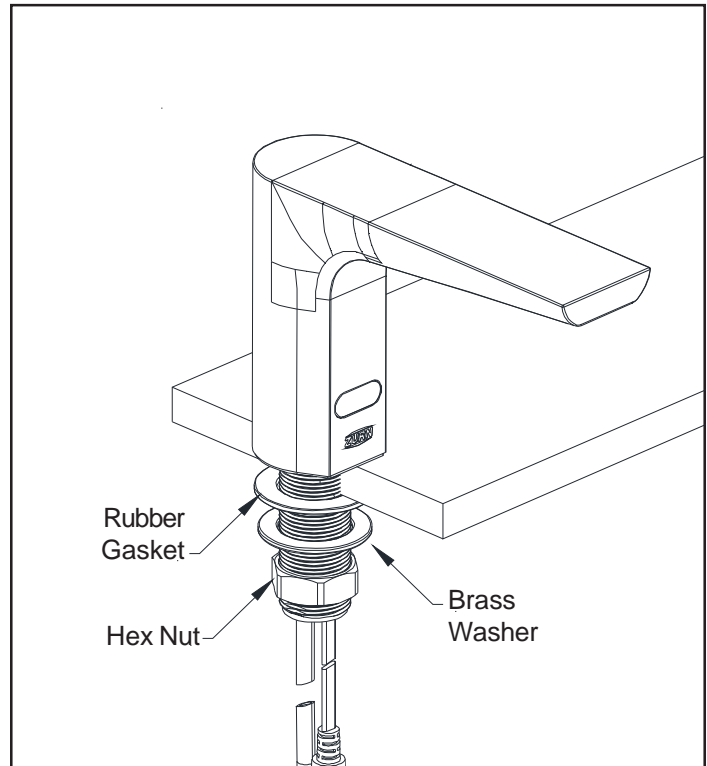
Power supply:	AC110V ; DC 6V DC 6V (4x "D" Cell Alkaline Batteries)
Soap Bottle Volume:	1600 ml
Dispensed Volume:	2 ml Max (4 Setting Adjustable)
Soap Viscosity:	100 - 3500 cPs
Operating Temperature:	34° - 131°F

Spout Installation

1. Feed the sensor cable and soap tube through the mounting hole in the basin or counter top. Install the mounting shank through the hole and align the dispenser with the basin.

Note: The recommended through hole for this dispenser is 1" - 1 ¼"

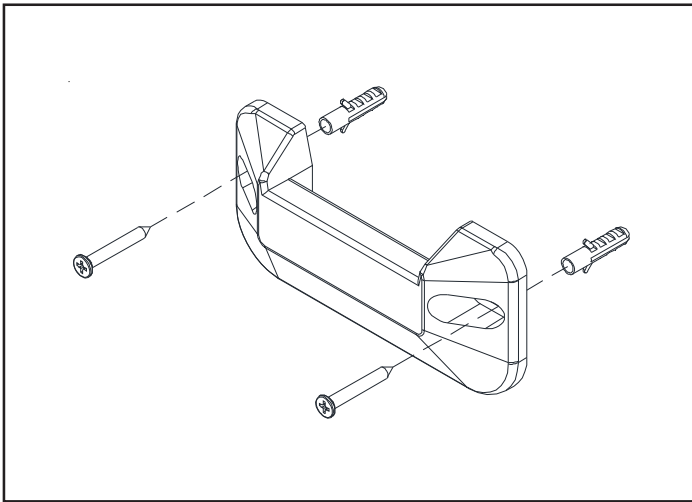
Install the rubber gasket and brass washer over the mounting shank as shown. Tighten the hex nut to secure the dispenser in place.



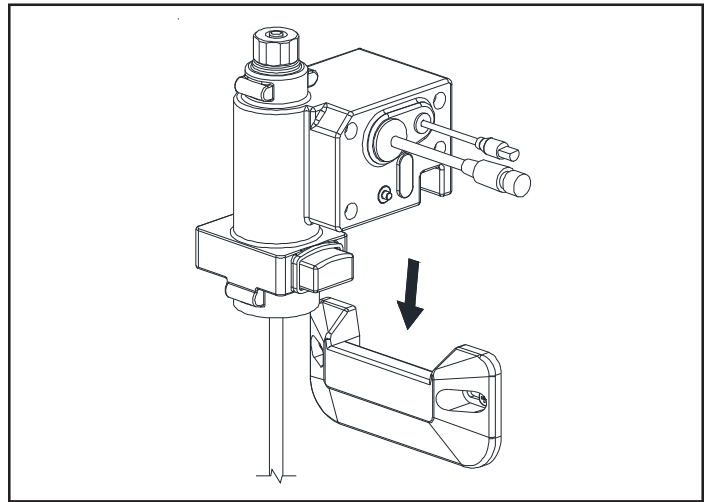
Control Box Installation

1. **Note: It is recommended to test fit the assembly prior to installation to avoid interference with other components.**

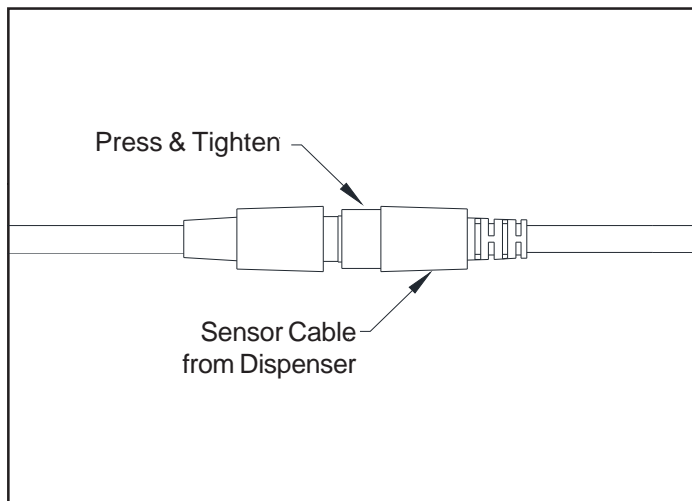
Place the wall hanger on the wall as a guide and mark the location of the screw holes. Drill 3/16" holes on the marks. Insert the anchors into the holes, flush with the wall. Attach the wall hanger to the wall with the supplied screws.



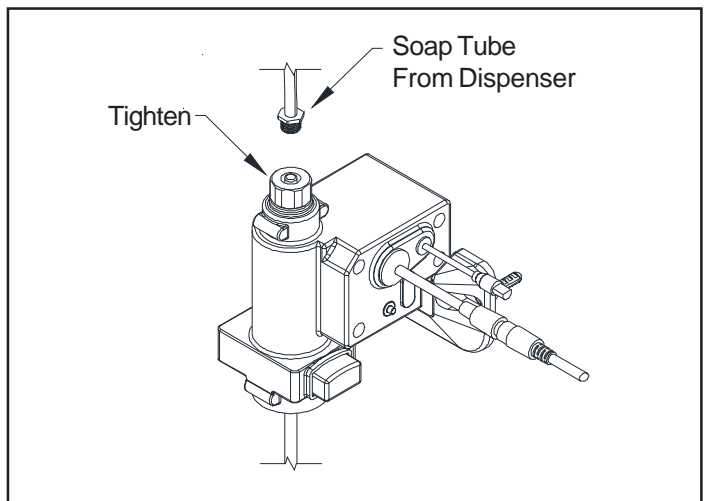
2. Hang the control box on the wall hanger. Ensure the control box is properly engaged with the wall hanger.



3. Connect the sensor cable from the dispenser to the control box. Press the two connectors together and tighten the cable nut.

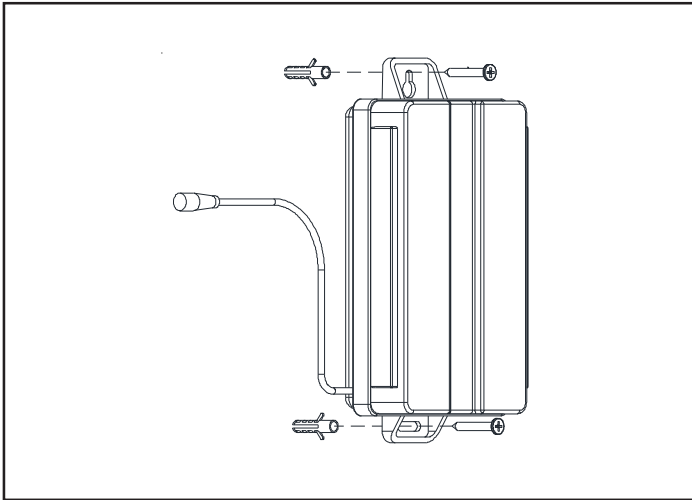


4. Connect the soap tube from the dispenser to the control box at the soap connection on top. It is important to tighten this connection sufficiently to avoid leaks.

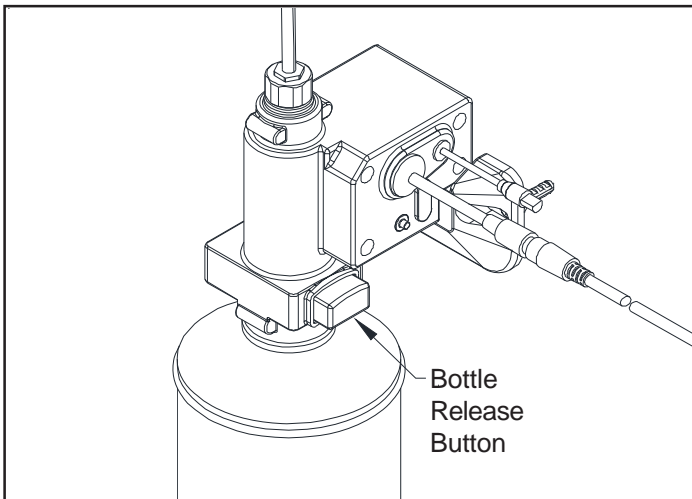


5. **Note: This step is only necessary if utilizing the battery pack to power the unit. Mount the battery pack in an easily accessible area.**

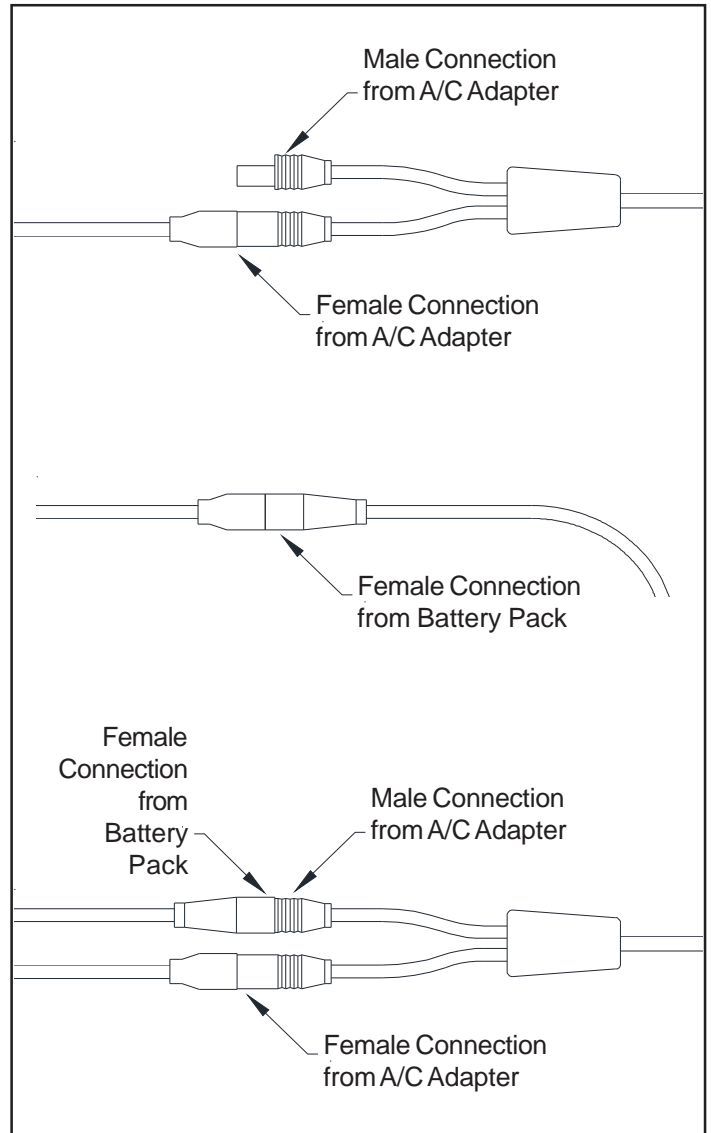
Place the battery pack on the wall as a guide to mark the screw holes. Drill 3/16" holes on the marks. Insert the anchors into the wall, flush with the wall. Attach the battery pack to the wall with the supplied screws.



7. Remove the soap bottle by pressing the bottle release button. The bottle will detach from the control box. Fill the soap bottle with soap of the appropriate viscosity. Do not overfill the soap bottle.



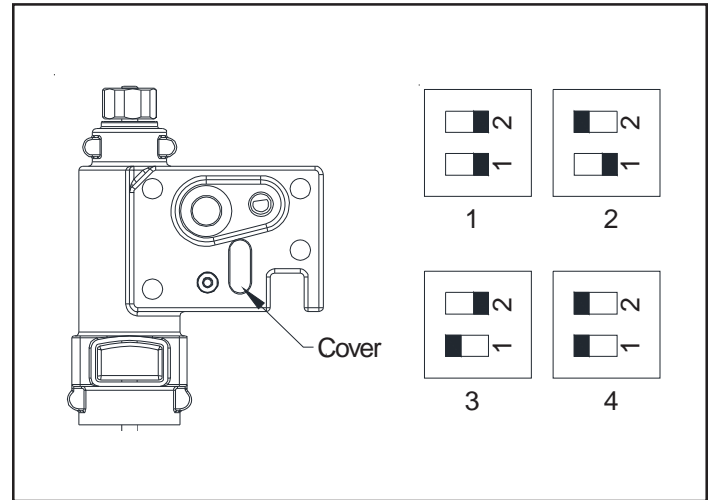
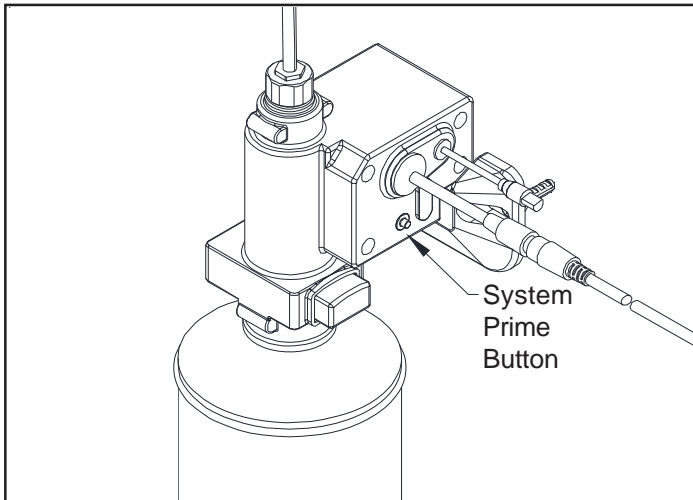
6. Attach the power supply to the control box. This dispenser can be powered in one of three ways: A/C adapter, battery pack, or A/C with a battery backup.



8. Re-attach the bottle to the control box, making sure that the soap input tube is inside the soap bottle. Depress the system prime button until soap comes from the nozzle. The system is now primed and ready to use.

Note: It may be necessary to first prime the system with water if using thicker soaps.

9. The dispenser has four settings to control the amount of soap that is dispensed. Setting one is the smallest volume and setting 4 is the largest volume. Lift the cover to expose the dip switches. The desired setting is achieved by setting the switches to the settings as shown.



Care and Cleaning Instructions:

- Do not use any abrasive or chemical cleaners to clean the faucets.
- If abrasives or chemicals are used it can lead to dulling of luster, attacking of chrome plating or decorative finishes.
- ONLY use mildly warm soapy water, and then wipe the device dry with a clean/soft towel or cloth.
- Upon cleaning other areas of the restroom be sure the sensor lenses are protected from other cleaning chemicals/solvents to prevent potential damages to the sensor and/or electronics.
- It is recommended to flush the system with warm water every 3 to 6 months.
 - o With a minimal amount of soap in the soap bottle, fill the soap bottle with warm water.
 - o Re-attach the soap bottle to the control box and press the system prime button. Hold the button down until all of the water has been flushed through the system.
 - o Refill the soap bottle with soap and press the system prime button. Hold down the button until any residual water is pushed through the pump and soap is being dispensed. The dispenser is now ready to use.