

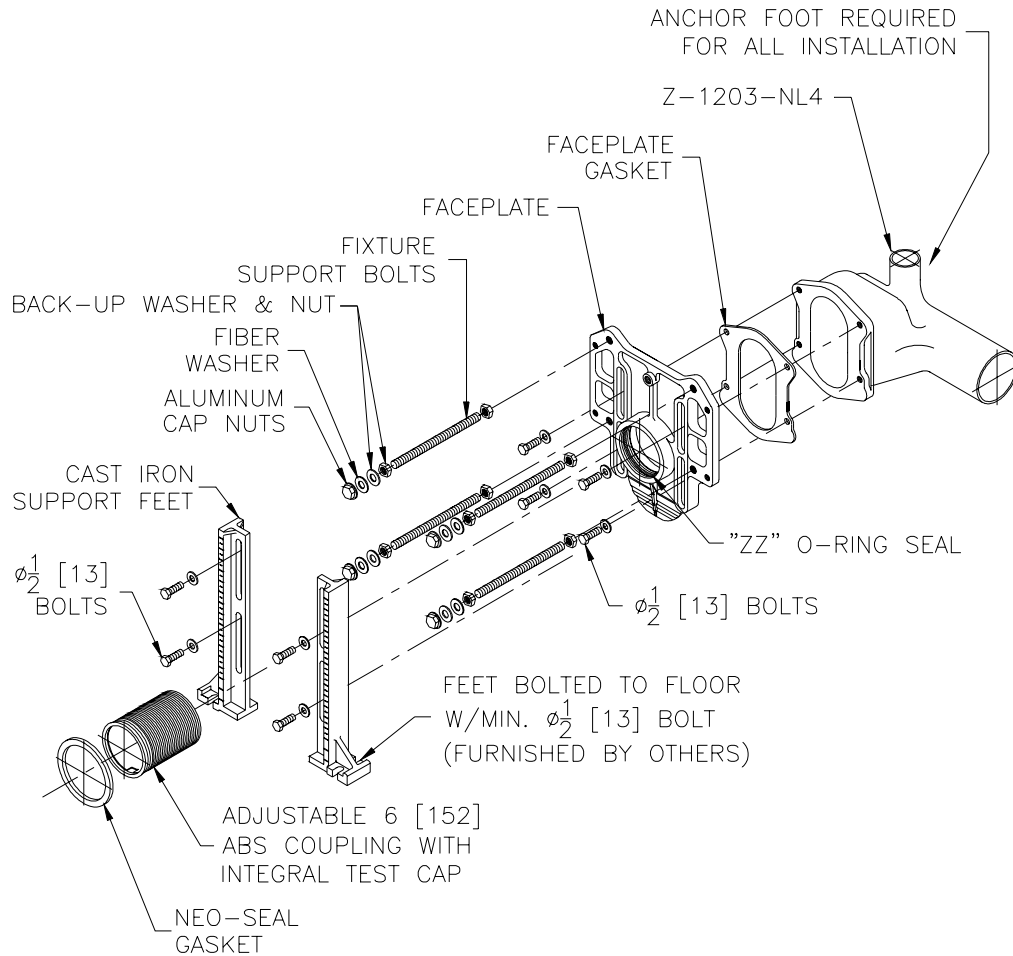


GENERAL PRODUCT ILLUSTRATION

Z1203-NL4

OFF-THE-FLOOR WATER CLOSET SYSTEM

Dimensional Data (inches and [mm]) are Subject to Manufacturing Tolerances and Change Without Notice



Z1203-NL4

OFF-THE-FLOOR WATER CLOSET SYSTEM

Offers:

1. All Dura-Coated cast iron construction with 300 lb. load bearing capability to A.N.S.I. A112.6.1M
2. Vertical adjustment of 4-1/2 [114] to 9-1/2 [241] for Siphon-Jet closet installation. System accommodates for both paraplegic and standard rough in requirements.
3. 14" [256] required from finished wall to back of system (Z1203 NL4, NR4).
4. Non-corrosive ABS adjustable coupling with integral test cap and unique 'ZZ' Zurn adjusting thread.

Form # C18

Date: 11/14/02

C.N. No. 90071

Rev. B

ZURN INDUSTRIES, INC. ♦ SPECIFICATION DRAINAGE OPERATION ♦ 1801 Pittsburgh Ave. ♦ Erie, PA 16514

Phone: 814/455-0921 ♦ Fax: 814/454-7929 ♦ World Wide Web: www.zurn.com

In Canada: ZURN INDUSTRIES LIMITED ♦ 3544 Nashua Drive ♦ Mississauga, Ontario L4V1L2 ♦ Phone: 905/405-8272 Fax: 905/405-1292