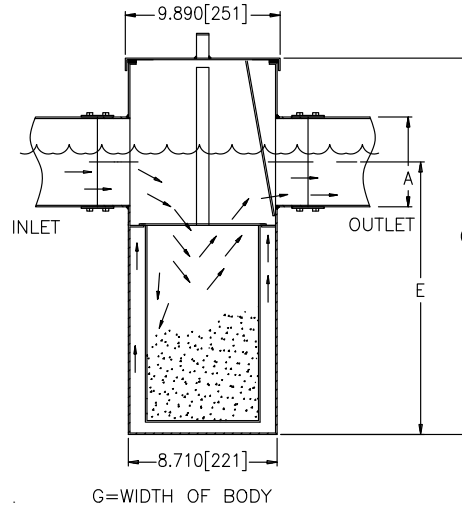




# Z1183 SOLIDS INTERCEPTOR OPERATION AND MAINTENANCE INSTRUCTIONS

Dimensional Data (inches and [ mm ]) are Subject to Manufacturing Tolerances and Change Without Notice



Size	Inlet/ Outlet Size	Flow Rate G.P.M. [L]	Solids Cap. Cubic Ft. [m <sup>3</sup> ]	Dimensions In Inches		
				C	G	D/E
100	2 [50]	4 [15]	0.20 [.006]	10 [254]	9 7/8 [251]	7 1/4 [184]
200	2 [50]	7 [26]	0.29 [.008]	11 1/8 [283]	11 7/8 [302]	8 1/8 [206]
300	3 [75]	10 [38]	0.33 [.009]	11 3/4 [298]	14 [356]	8 1/4 [210]
400	3 [75]	15 [57]	0.38 [.011]	13 3/8 [340]	16 3/4 [425]	9 3/8 [238]
500	3 [75]	20 [76]	0.66 [.019]	15 [381]	17 1/4 [438]	11 3/4 [298]
600	4 [100]	25 [95]	0.79 [.022]	17 [432]	19 7/8 [505]	12 7/16 [316]
700	4 [100]	35 [132]	1.17 [.033]	18 3/4 [476]	22 1/2 [572]	14 3/16 [360]
800	4 [100]	50 [189]	1.35 [.038]	21 1/2 [546]	24 1/2 [622]	16 [406]
900	4 [100]	75 [284]	1.61 [.046]	22 3/4 [578]	24 1/2 [622]	18 1/2 [470]

### SIZING

The sizing of this interceptor relates to the size of the Z1170 or Z1190 grease interceptor it is being used with (see chart above). All units are made with a standard no-hub pipe size inlet and outlet, and are capable of handling drainage volumes standard to their respective pipe size.

### DESIGN

The Zurn Z1183 Solids Interceptor is designed to recover food waste from sinks, garbage grinders and dish-washers. This is accomplished through the principal of gravity separation. The food wastes are retained in the perforated removable basket.

### OPERATION

The waste water flows from the inlet piping into the removable perforated basket, passing through the basket and the outlet cover screen attached to cover, into the main body chamber, then exits the interceptor to the sanitary drain system.

### MAINTENANCE

Cleaning should be done on a regular basis, either before or after the basket or outlet screen becomes clogged. Remove the cover and basket and clean out all debris. Hose off the outlet cover screen. Replace the basket into the interceptor. Make certain cover gasket is intact and clean. Apply a light coating of oil on the cover gasket, which helps prevent the cover gasket from adhering to cover and aids in maintaining a complete seal. The cover should then be placed back on the unit and secured. Efficiency of operation is directly related to the level of maintenance.

**⚠ WARNING:** Cancer and Reproductive Harm - [www.P65Warnings.ca.gov](http://www.P65Warnings.ca.gov)

**⚠ ADVERTENCIA:** Cáncer y daño reproductivo - [www.P65Warnings.ca.gov](http://www.P65Warnings.ca.gov)

**⚠ AVERTISSEMENT:** Cancer et effets néfastes sur la reproduction - [www.P65Warnings.ca.gov](http://www.P65Warnings.ca.gov)

Zurn Industries, LLC | Specification Drainage Operation

1801 Pittsburgh Avenue, Erie, PA U.S.A. 16502 · Ph. 855-663-9876, Fax 814-454-7929

In Canada | Zurn Industries Limited

3544 Nashua Drive, Mississauga, Ontario L4V 1L2 · Ph. 905-405-8272, Fax 905-405-1292

[www.zurn.com](http://www.zurn.com)

Rev. B  
Date: 04/10/2018  
C.N. No. 139851  
Form No. IT60

Page 1 of 1