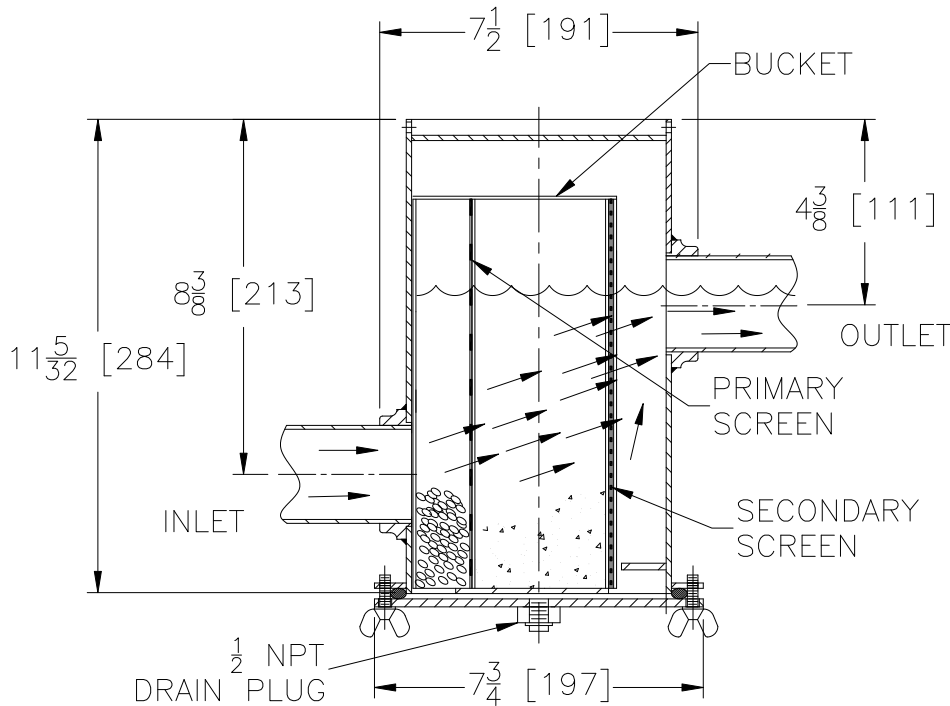




ZA1184 SOLIDS INTERCEPTOR OPERATION AND MAINTENANCE INSTRUCTIONS

Dimensional Data (inches and [mm]) are Subject to Manufacturing Tolerances and Change Without Notice



| Inlet/Outlet Inches | Flow Rate GPM [L] | Approx. Wt. Lbs. [kg] |
|----------------------|-------------------|-----------------------|
| 1-1/2 [38] 2 [50] | 15 [57] | 10 [4] |

Sizing

There are no sizing requirements for this interceptor, except to specify the inlet and outlet size. All units are made with a standard 2" [50 mm] pipe size inlet and outlet, reduced to 1 1/2" [38 mm] with a bushing when specified and are capable of handling drainage volumes standard to their respective pipe size.

Design

The Zurn ZA-1184 Solids Interceptor is designed to recover all types of solids from precious metal particles, to plaster, clay or similar materials. This is accomplished through the principal of gravity separation. Larger and heavier materials are retained in the first compartment of the removable bucket, while smaller and lighter materials are trapped in the second compartment.

Operation

The waste water flows from the inlet piping into the removable bucket, passing through the primary and secondary screens, into the main body chamber, then exits the interceptor to the sanitary drain system.

Maintenance

Cleaning should be done on a regular basis, either before or after the bucket becomes clogged. First remove 1/2 NPT drain plug in center of cover and drain out the water in the interceptor. Then remove the cover and bucket, take out the primary and secondary screens and clean out all debris. Replace the screens in the bucket, next place the bucket and gasket on the cover and reinstall. Make certain cover gasket is intact and clean. Apply a light coating of oil on the cover gasket, which helps prevent cover gasket from adhering to cover and aids in maintaining a complete seal. The cover should then be placed back on the unit and secure cover. Efficiency of operation is directly related to the level of maintenance.

- ⚠ **WARNING:** Cancer and Reproductive Harm - www.P65Warnings.ca.gov
- ⚠ **ADVERTENCIA:** Cáncer y daño reproductivo - www.P65Warnings.ca.gov
- ⚠ **AVERTISSEMENT:** Cancer et effets néfastes sur la reproduction - www.P65Warnings.ca.gov