

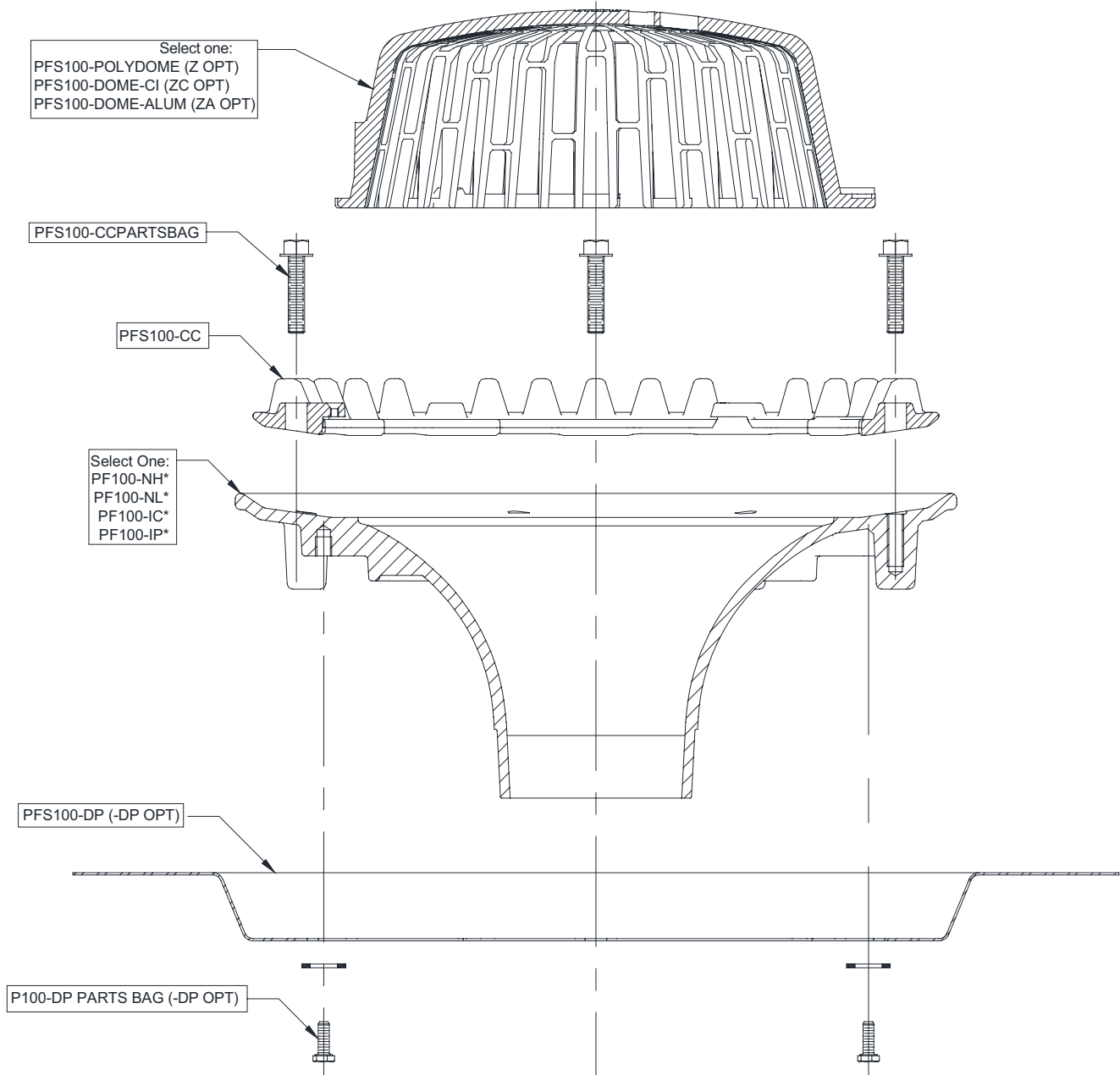


COMMON COMPONENTS SHEET FOR SIZES 2, 3, & 4

# Z/ZC100F-DP

16-9/16 [421] DIAMETER Z100F FLOFORCE® HIGH PERFORMANCE ROOF DRAIN  
W/ POLY/CAST IRON DOME

Design and Dimensional Data (inches and [ mm ]) are Subject to Manufacturing Tolerances and Change Without Notice



\* Size determined by customer

**⚠ WARNING:** Cancer and Reproductive Harm - [www.P65Warnings.ca.gov](http://www.P65Warnings.ca.gov)

**⚠ ADVERTENCIA:** Cáncer y daño reproductivo - [www.P65Warnings.ca.gov](http://www.P65Warnings.ca.gov)

**⚠ AVERTISSEMENT:** Cancer et effets néfastes sur la reproduction - [www.P65Warnings.ca.gov](http://www.P65Warnings.ca.gov)

Zurn Industries, LLC | Specification Drainage Operation  
1801 Pittsburgh Avenue, Erie, PA 16502, Ph. 855.663.9876

In Canada | Zurn Industries Limited  
7900 Goreway Drive, Unit 10, Brampton, Ontario L6T 5W6, Ph. 877.892.5216

[www.zurn.com](http://www.zurn.com)

Rev. C  
Date: 02/15/24

C.N. No. 145840

Prod. | Dwg. No. RD152 Page 1 of 3

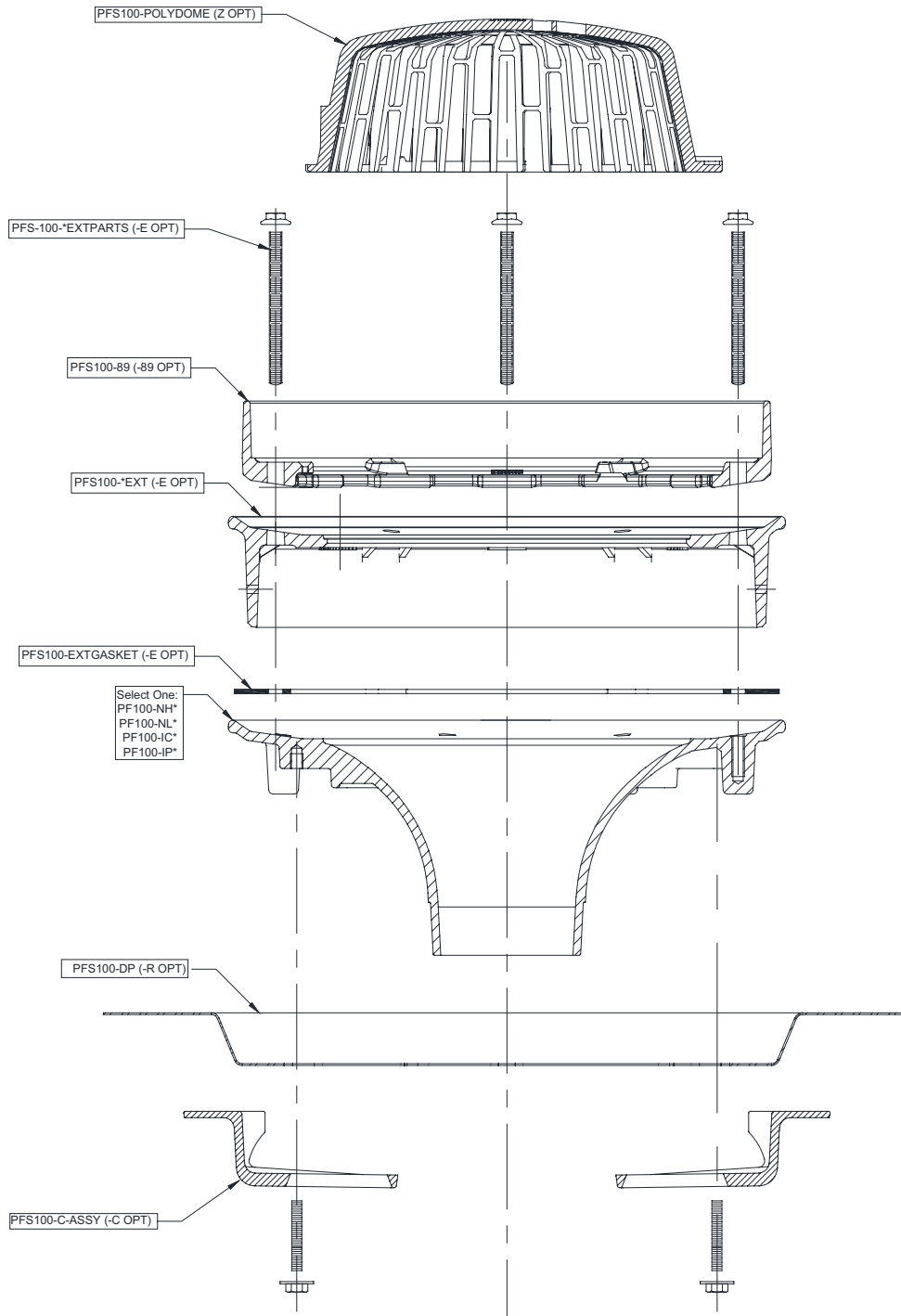


COMMON COMPONENTS SHEET FOR SIZES 2, 3, & 4

# Z100F-C-E-R-89

16-9/16 [421] DIAMETER Z100F FLOFORCE® HIGH PERFORMANCE ROOF DRAIN  
W/ DOME, UNDERDECK CLAMP, STATIC EXTENSION, ROOF SUMP RECEIVER,  
AND EXTERNAL WATER DAM

Design and Dimensional Data (inches and [ mm ]) are Subject to Manufacturing Tolerances and Change Without Notice



\* Size determined by customer

**⚠ WARNING:** Cancer and Reproductive Harm - [www.P65Warnings.ca.gov](http://www.P65Warnings.ca.gov)

**⚠ ADVERTENCIA:** Cáncer y daño reproductivo - [www.P65Warnings.ca.gov](http://www.P65Warnings.ca.gov)

**⚠ AVERTISSEMENT:** Cancer et effets néfastes sur la reproduction - [www.P65Warnings.ca.gov](http://www.P65Warnings.ca.gov)

Zurn Industries, LLC | Specification Drainage Operation  
1801 Pittsburgh Avenue, Erie, PA 16502, Ph. 855.663.9876

In Canada | Zurn Industries Limited  
7900 Goreway Drive, Unit 10, Brampton, Ontario L6T 5W6, Ph. 877.892.5216

[www.zurn.com](http://www.zurn.com)

Rev. C  
Date: 02/15/24

C.N. No. 145840

Prod. | Dwg. No. RD152 Page 2 of 3

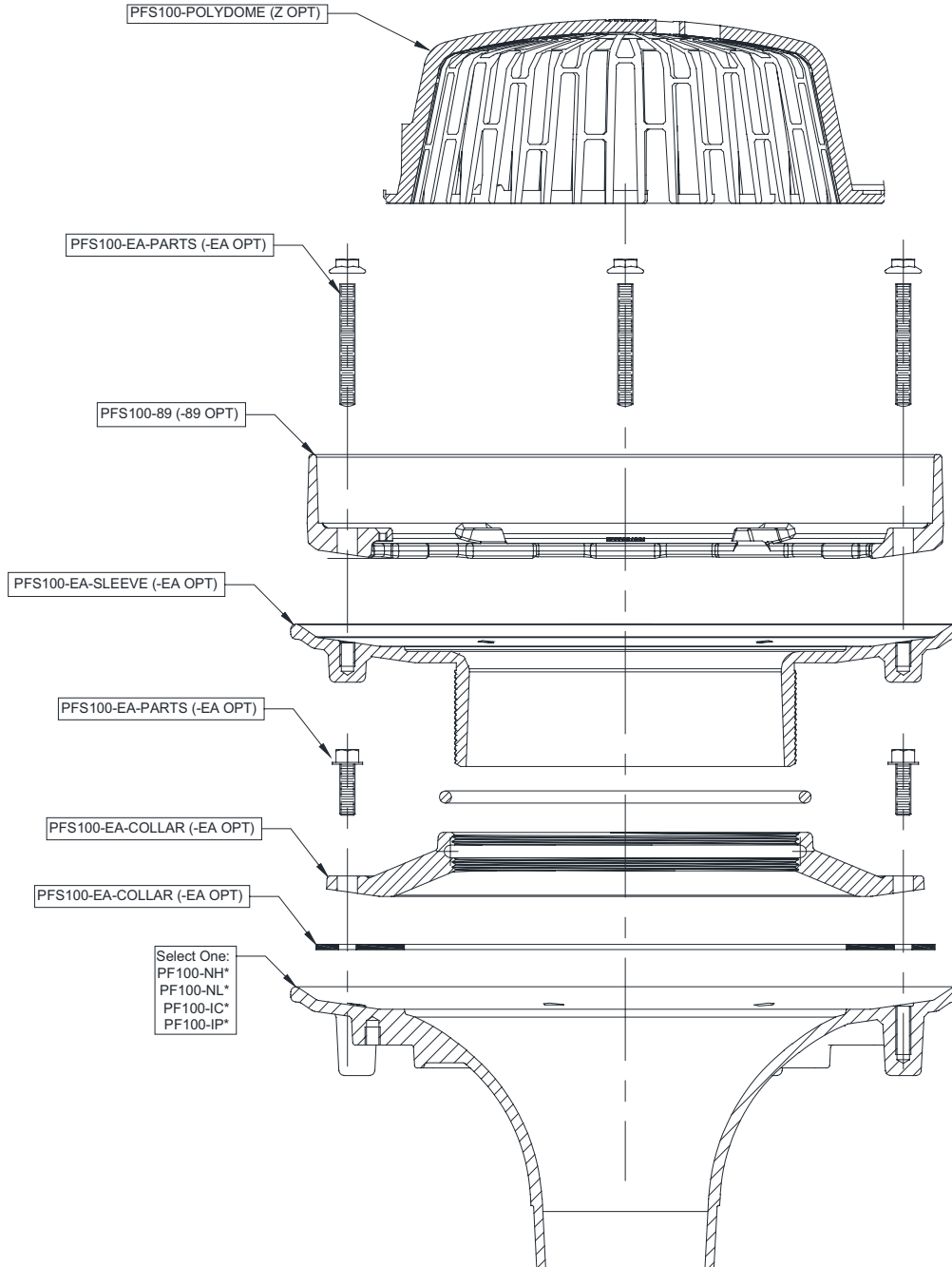


COMMON COMPONENTS SHEET FOR SIZES 2, 3, & 4

# Z100F-EA-89

16-9/16 [421] DIAMETER Z100F FLOFORCE® HIGH PERFORMANCE ROOF DRAIN  
W/ DOME, ADJUSTABLE EXTENSION, AND EXTERNAL WATER DAM

Design and Dimensional Data (inches and [ mm ]) are Subject to Manufacturing Tolerances and Change Without Notice



\* Size determined by customer

**⚠ WARNING:** Cancer and Reproductive Harm - [www.P65Warnings.ca.gov](http://www.P65Warnings.ca.gov)

**⚠ ADVERTENCIA:** Cáncer y daño reproductivo - [www.P65Warnings.ca.gov](http://www.P65Warnings.ca.gov)

**⚠ AVERTISSEMENT:** Cancer et effets néfastes sur la reproduction - [www.P65Warnings.ca.gov](http://www.P65Warnings.ca.gov)

Zurn Industries, LLC | Specification Drainage Operation  
1801 Pittsburgh Avenue, Erie, PA 16502, Ph. 855.663.9876

In Canada | Zurn Industries Limited  
7900 Goreway Drive, Unit 10, Brampton, Ontario L6T 5W6, Ph. 877.892.5216

[www.zurn.com](http://www.zurn.com)

Rev. C  
Date: 02/15/24

C.N. No. 145840

Prod. | Dwg. No. RD152 Page 3 of 3