

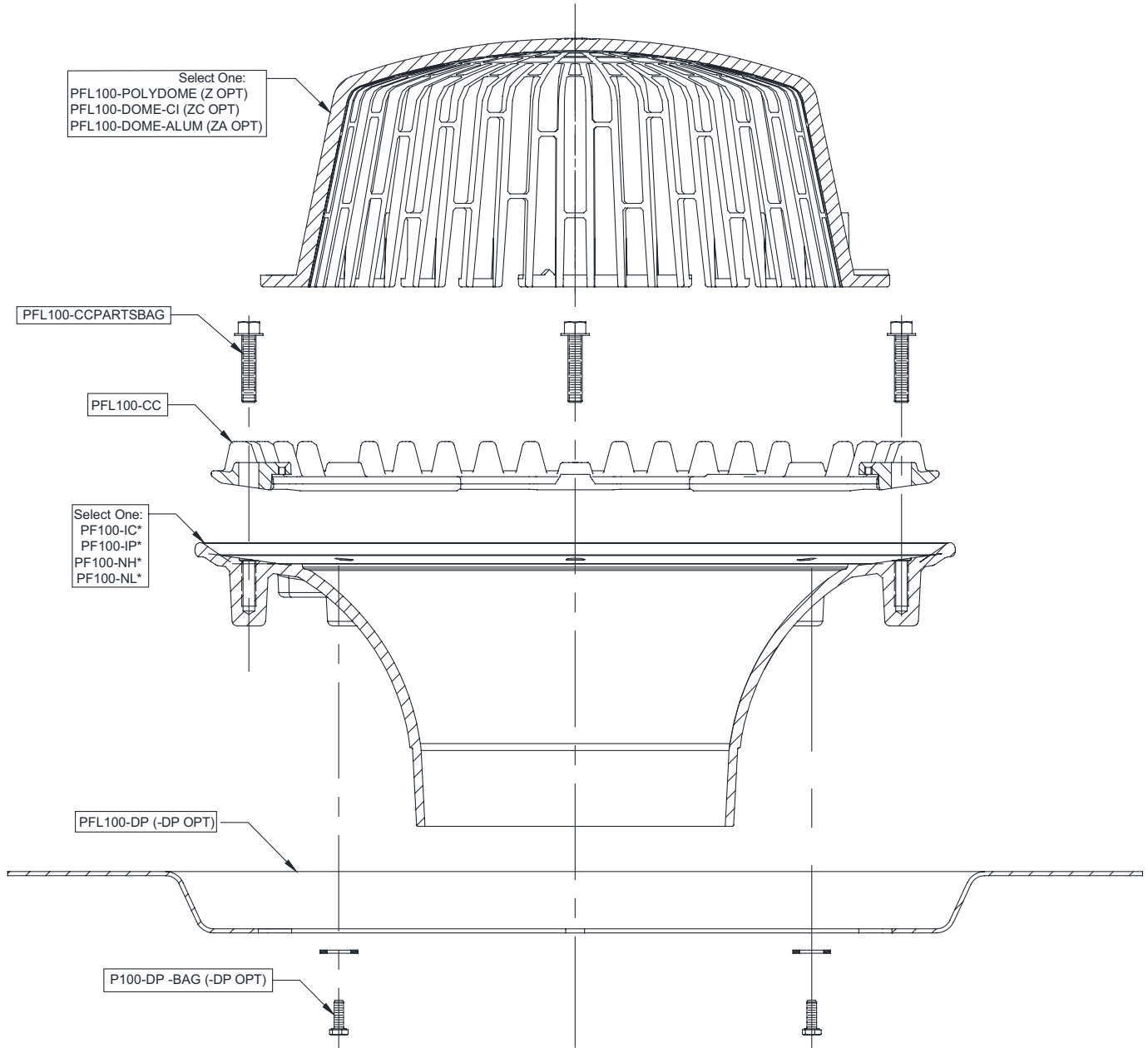


COMMON COMPONENTS SHEET FOR SIZES 6 & 8

Z/ZC100F-DP

20-3/32 [510] DIAMETER Z100F FLOFORCE® HIGH PERFORMANCE ROOF DRAIN
W/ POLY/CAST IRON DOME

Design and Dimensional Data (inches and [mm]) are Subject to Manufacturing Tolerances and Change Without Notice



* Size determined by customer

⚠ WARNING: Cancer and Reproductive Harm - www.P65Warnings.ca.gov

⚠ ADVERTENCIA: Cáncer y daño reproductivo - www.P65Warnings.ca.gov

⚠ AVERTISSEMENT: Cancer et effets néfastes sur la reproduction - www.P65Warnings.ca.gov

Zurn Industries, LLC | Specification Drainage Operation
1801 Pittsburgh Avenue, Erie, PA 16502, Ph. 855.663.9876

In Canada | Zurn Industries Limited
7900 Goreway Drive, Unit 10, Brampton, Ontario L6T 5W6, Ph. 877.892.5216

www.zurn.com

Rev. C
Date: 02/15/24

C.N. No. 145840

Prod. | Dwg. No. RD153 Page 1 of 3

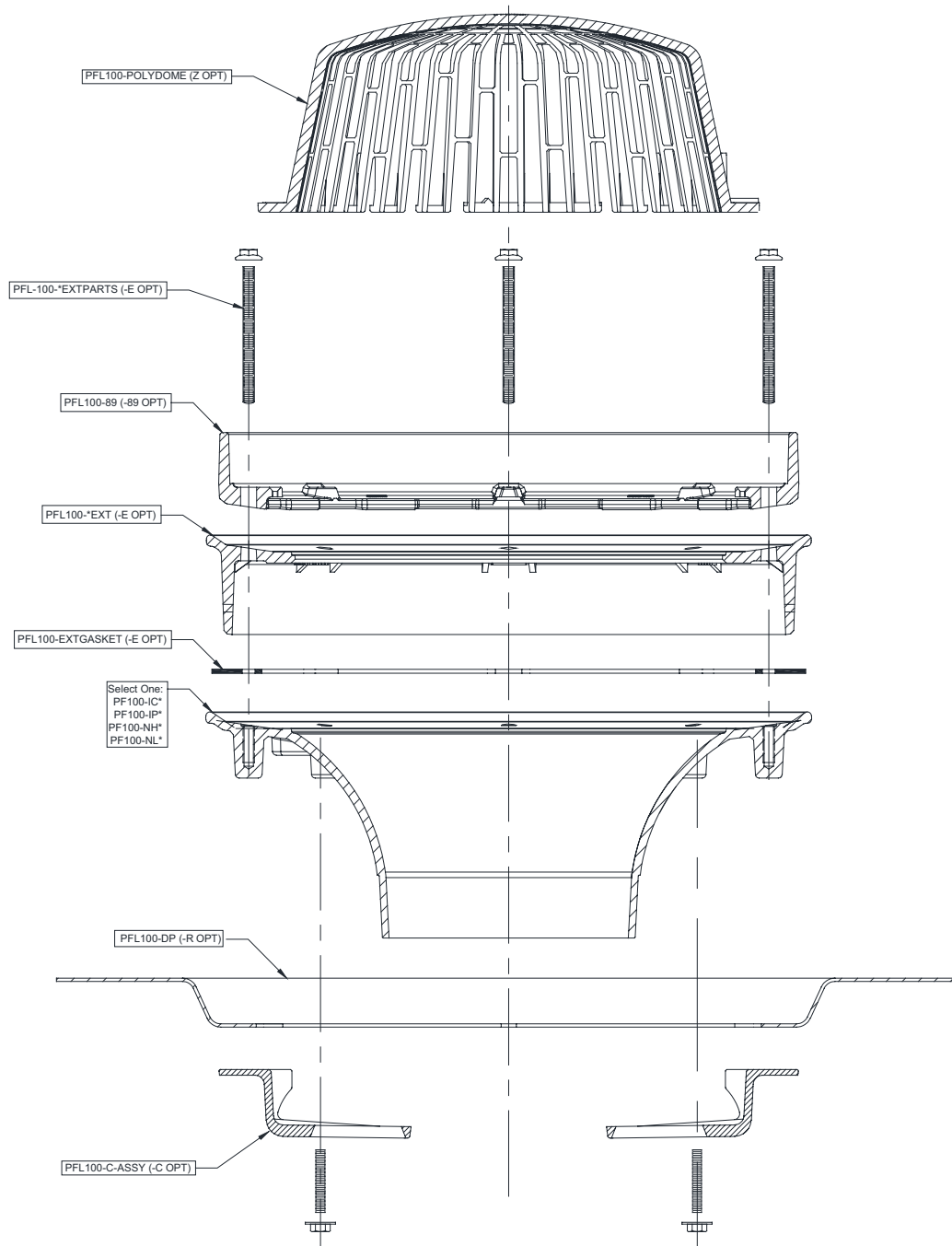


COMMON COMPONENTS SHEET FOR SIZES 6 & 8

Z100F-C-E-R-89

20-3/32 [510] DIAMETER Z100F FLOFORCE® HIGH PERFORMANCE ROOF DRAIN
W/ DOME, UNDERDECK CLAMP, STATIC EXTENSION, ROOF SUMP RECEIVER,
AND EXTERNAL WATER DAM

Design and Dimensional Data (inches and [mm]) are Subject to Manufacturing Tolerances and Change Without Notice



* Size determined by customer

⚠ WARNING: Cancer and Reproductive Harm - www.P65Warnings.ca.gov

⚠ ADVERTENCIA: Cáncer y daño reproductivo - www.P65Warnings.ca.gov

⚠ AVERTISSEMENT: Cancer et effets néfastes sur la reproduction - www.P65Warnings.ca.gov

Zurn Industries, LLC | Specification Drainage Operation
1801 Pittsburgh Avenue, Erie, PA 16502, Ph. 855.663.9876

In Canada | Zurn Industries Limited
7900 Goreway Drive, Unit 10, Brampton, Ontario L6T 5W6, Ph. 877.892.5216

www.zurn.com

Rev. C
Date: 02/15/24

C.N. No. 145840

Prod. | Dwg. No. RD153 Page 2 of 3

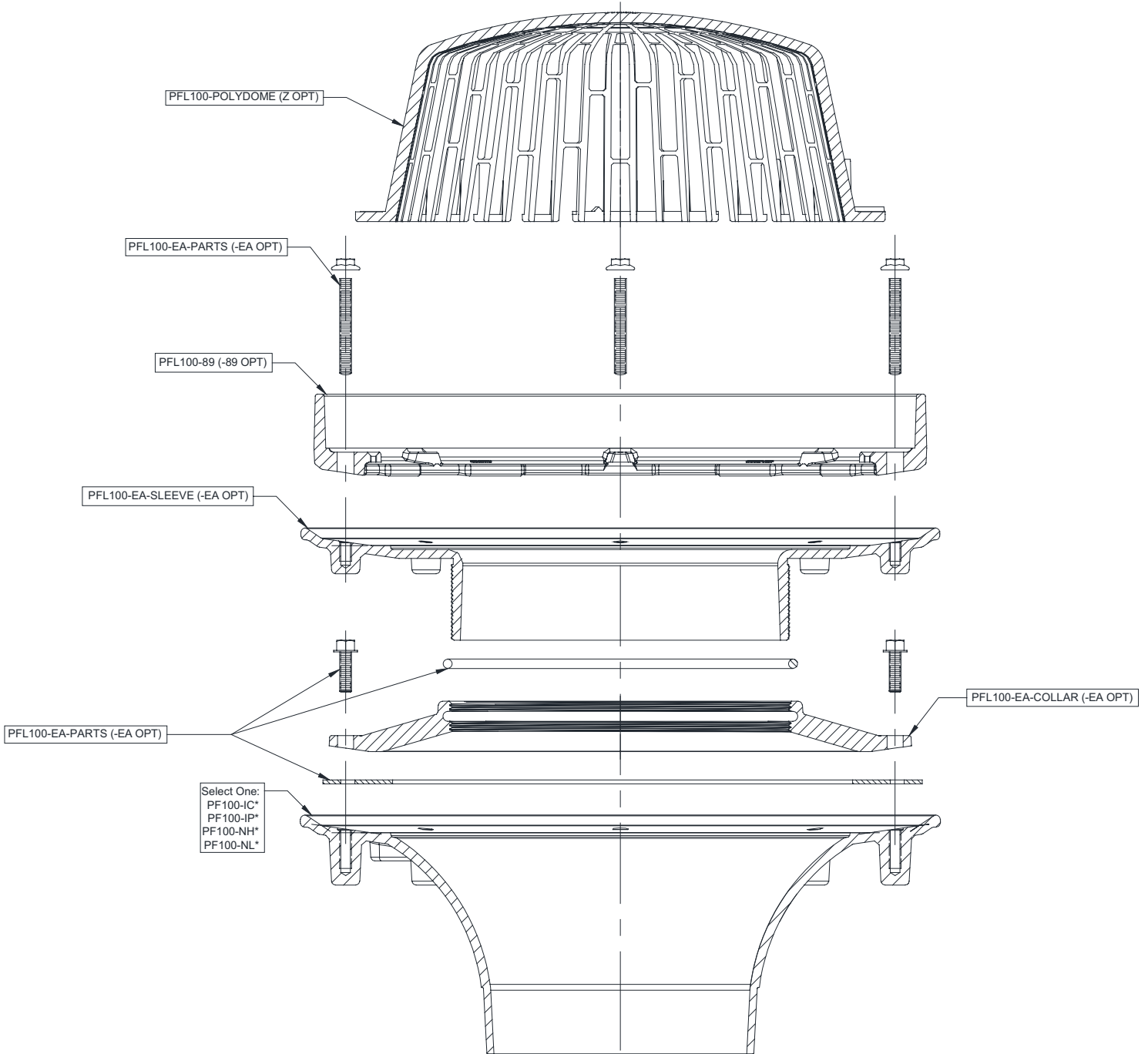


COMMON COMPONENTS SHEET FOR SIZES 6 & 8

Z100F-EA-89

20-3/32 [510] DIAMETER Z100F FLOFORCE® HIGH PERFORMANCE ROOF DRAIN
W/ DOME, ADJUSTABLE EXTENSION, AND EXTERNAL WATER DAM

Design and Dimensional Data (inches and [mm]) are Subject to Manufacturing Tolerances and Change Without Notice



* Size determined by customer

⚠ WARNING: Cancer and Reproductive Harm - www.P65Warnings.ca.gov

⚠ ADVERTENCIA: Cáncer y daño reproductivo - www.P65Warnings.ca.gov

⚠ AVERTISSEMENT: Cancer et effets néfastes sur la reproduction - www.P65Warnings.ca.gov

Zurn Industries, LLC | Specification Drainage Operation
1801 Pittsburgh Avenue, Erie, PA 16502, Ph. 855.663.9876

In Canada | Zurn Industries Limited
7900 Goreway Drive, Unit 10, Brampton, Ontario L6T 5W6, Ph. 877.892.5216

www.zurn.com

Rev. C
Date: 02/15/24
C.N. No. 145840
Prod. | Dwg. No. RD153