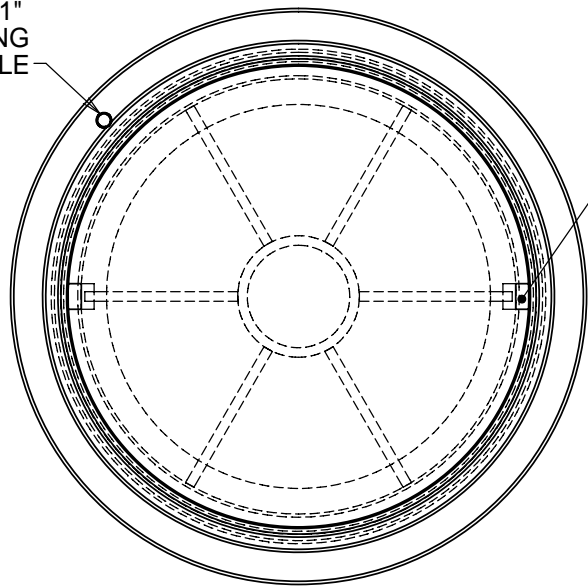
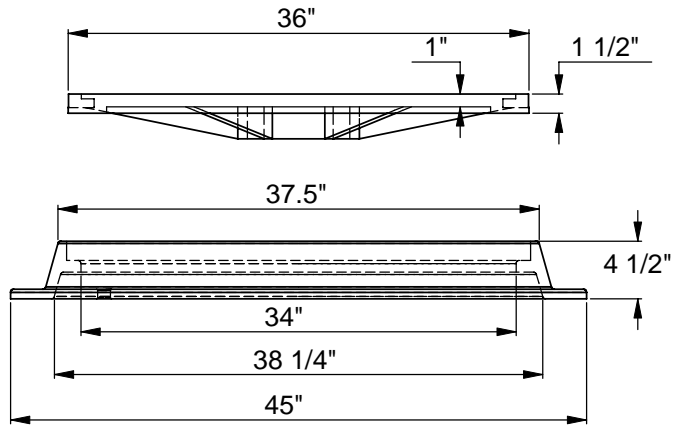


Ø 1"
HANDLING
HOLE



2 X 2" WIDE
PICKHOLES



SECTION

NOTES:

- HEAVY DUTY TRAFFIC LOADING
- COVER 290 LBS (132 KG)
- FRAME 216 LBS (98KG)

TITLE: 36" DIA. CAST IRON ROUND FRAME AND COVER ALL DIMENSIONS ARE IN INCHES UNLESS OTHERWISE SHOWN.		REV	DATE	DRAWN	<p style="text-align: right;">™</p> <p style="font-size: 2em; font-weight: bold;">greenturtle</p> <p>877 428 8187 US 877 966 9444 CAN www.greenturtletech.com</p>
PROJECT: WO:		1			
✓ OPTIONS:		2			
		3			
		4			
		5			
		6			
		7			
		8			
		9			
		10			
DRAWN BY: L. SIMKINS		SIZE	DWG. NO.		REV.
DRAWN DATE: JANUARY 4, 2007		A	FCH 36		
SCALE: 1:15		DO NOT SCALE DRAWING		SHEET 1 OF 1	