

# Specification Drainage

SD0124 Customer Guide



ZURN.COM US 1.855.ONE.ZURN CANADA 1.877.892.5216

Effective January 1, 2024  
Replaces All Previous Price Lists

# INTRODUCTION

TABLE OF CONTENTS - BY SECTION	2
🕒 Z100F FLOFORCE™	7
🕒 Z130S AND Z131S SIPHONIC ROOF DRAINS	9
🕒 EZ1™ TECHNOLOGY	10
🕒 Z1231EZ UNIVERSAL LAVATORY CARRIER	11
🕒 ZURN TOP-SET® DECK PLATE	12
GREEN ROOFING DRAINAGE SOLUTIONS	13
🕒 Z1222-CB CARRIER BANK	14
CUSTOMER GUIDE INSTRUCTIONS	15
TYPICAL PRODUCT PAGE NAVIGATION	15
ABBREVIATIONS USED IN THIS CUSTOMER GUIDE	16

## TABLE OF CONTENTS - BY SECTION

### PRODUCT HIGHLIGHT

⌚ Z100F FLOFORCE™	7
⌚ Z130S AND Z131S SIPHONIC ROOF DRAINS	9
⌚ EZ1™ TECHNOLOGY	10
⌚ Z1231EZ UNIVERSAL LAVATORY CARRIER	11
⌚ ZURN TOP-SET® DECK PLATE	12
GREEN ROOFING DRAINAGE SOLUTIONS	13
⌚ Z1222-CB CARRIER BANK	14
CUSTOMER GUIDE INSTRUCTIONS	15
TYPICAL PRODUCT PAGE NAVIGATION	15
ABBREVIATIONS USED IN THIS CUSTOMER GUIDE	16

### ROOF DRAINS

ROOF DRAIN - PRODUCT COMPLIANCE	18
ROOF DRAIN - GENERAL INFORMATION	18
ROOF DRAIN - APPLICATION INDEX	18
<b>Z100F</b> FLOFORCE™ HIGH PERFORMANCE ROOF DRAIN - LOW SILHOUETTE DOME	19
<b>Z100</b> 15" DIAMETER MAIN ROOF DRAIN WITH LOW SILHOUETTE DOME	20
<b>Z101</b> HIGH CAPACITY 20" DIAMETER MAIN ROOF DRAIN WITH LOW SILHOUETTE DOME	21
<b>100C</b> 15" DIAMETER DEEP SUMP DUAL OUTLET ROOF DRAIN - LOW SILHOUETTE DOME	22
<b>Z104</b> 15" DIAMETER DEEP SUMP ROOF DRAIN WITH LOW SILHOUETTE DOME	23
<b>Z105</b> CONTROL-FLO™ ROOF DRAIN WITH PARABOLIC WEIR	24
<b>Z107</b> 20" WIDE DECK FLANGE ROOF DRAIN	25
<b>Z108</b> 15" DIAMETER DECK RECEPTOR DRAIN	26
<b>Z110</b> 15" GREEN ROOF DRAIN WITH PERFORATED SCREEN ASSEMBLY, AND REMOVABLE COVER WITH LIFT HANDLE	27
<b>Z110-AI</b> GREEN ROOF DRAIN WITH PERFORATED SCREEN ASSEMBLY, REMOVABLE COVER WITH LIFT HANDLE, AND AUXILIARY INLET	28
<b>ZF110-S</b> GREEN ROOF BOX - PERFORATED SCREEN ASSEMBLY, REMOVABLE COVER	29
<b>Z111</b> 12" DIAMETER FLAT DECK ROOF DRAIN FOR METAL DECKS	29
<b>Z121</b> 12" DIAMETER ROOF DRAIN LOW SILHOUETTE DOME	30
<b>Z122</b> 12" DIAMETER DECK RECEPTOR DRAIN	31
<b>Z125</b> 8-3/8" DIAMETER ROOF DRAIN LOW SILHOUETTE DOME	32
<b>Z127</b> 8-1/2" DIAMETER DECK RECEPTOR DRAIN	33
⌚ <b>Z130S</b> SIPHONIC PRIMARY ROOF DRAIN	34
⌚ <b>Z131S</b> SIPHONIC OVERFLOW ROOF DRAIN	34
<b>Z150F</b> FLOFORCE™ HIGH PERFORMANCE PROMENADE DECK DRAIN WITH ROTATABLE FRAME AND HEEL-PROOF GRATE	35
<b>Z150</b> 14" SQUARE TOP PROM-DECK DRAIN WITH HEEL-PROOF GRATE AND ROTATABLE FRAME	36

<b>Z154</b> 12" SQUARE TOP PROM-DECK DRAIN WITH HEEL-PROOF GRATE AND ROTATABLE FRAME	37
<b>Z158</b> 10" SQUARE TOP PROM-DECK DRAIN WITH HEEL-PROOF GRATE AND ROTATABLE FRAME	38
<b>Z160</b> 135° SCUPPER DRAIN	39
<b>Z161</b> 3" X 10" OBLIQUE SCUPPER DRAIN	39
⌚ <b>Z163</b> 15" DIAMETER COMBINATION MAIN ROOF AND OVERFLOW DRAIN WITH LOW SILHOUETTE DOMES AND DOUBLE TOP-SET® DECK PLATE	40
⌚ <b>Z164</b> 12" DIAMETER COMBINATION MAIN ROOF AND OVERFLOW DRAIN WITH LOW SILHOUETTE DOMES AND DOUBLE TOP-SET® DECK PLATE	41
⌚ <b>Z165</b> 8-3/8" DIAMETER COMBINATION MAIN ROOF AND OVERFLOW DRAIN WITH LOW SILHOUETTE DOMES AND DOUBLE TOP-SET® DECK PLATE	42
<b>Z180</b> 4-1/2" DIAMETER CORNICE DRAIN WITH BOTTOM OUTLET	42
<b>Z181</b> 6" DIAMETER CORNICE DRAIN WITH BOTTOM OUTLET	43
<b>Z182</b> 4-1/2" DIAMETER CORNICE DRAIN WITH 90° OUTLET	43
<b>Z185</b> 6" DIAMETER CORNICE DRAIN WITH 90° OUTLET	44
<b>Z187</b> 6" X 7" OR 8" X 12" OBLIQUE SCUPPER DRAIN	44
<b>Z189</b> 5" X 6" X 11" SCUPPER DRAIN	45
<b>Z190</b> VERTICAL EXPANSION JOINT	45
<b>Z191</b> 5" X 4" X 24" DOWNSPOUT BOOT	46
<b>Z191-RD</b> 4" X 18" DOWNSPOUT BOOT	46
<b>Z192</b> 4" X 3" DOWNSPOUT BOOT	47
<b>Z193</b> VANDAL-PROOF HOODED VENT CAP	47
<b>Z195</b> VENT STACK FLASHING SLEEVE	48
<b>Z196</b> VENT STACK FLASHING SLEEVE	48
<b>Z197</b> RISER SLEEVE	49
<b>Z198</b> PARAPET SCUPPER SLEEVE	49
<b>Z199</b> DOWNSPOUT NOZZLE	50
<b>ZF199</b> CHAMELEON DOWNSPOUT NOZZLE WITH FLAPPER	51
<b>Z199-DC</b> DOWNSPOUT COVER	52
<b>ZF7000</b> FLOW SENSOR	52

### FLOOR DRAINS

FLOOR DRAINS - GENERAL INFORMATION	55
FLOOR DRAINS - APPLICATION INDEX	55
CAST IRON EZ1™ NOMENCLATURE DECODER	56
<b>Z300</b> THOROFLUSH DRAIN	57
<b>Z310</b> THOROFLUSH DRAIN	57
<b>Z315</b> VANDAL-PROOF ACCESS DRAIN	58
<b>Z319</b> THOROFLUSH DRAIN - LARGE CAPACITY	58
<b>Z320</b> REFRIGERATOR DRAIN	59
<b>Z325</b> INDIRECT WASTE FUNNEL WITH INTEGRAL BACKWATER VALVE	59
<b>Z326</b> INDIRECT WASTE FUNNEL	60
<b>Z328</b> FUNNEL CONVERTING ASSEMBLY	60

<b>Z329</b> FUNNEL CONVERTING ASSEMBLY	61
<b>Z349</b> TERRACE PLANTING AREA DRAIN	61
<b>Z350</b> PLANTING AREA DRAIN	62
<b>Z355</b> PRISON CELL FLOOR DRAIN	62
<b>Z400</b> "TYPE B" ROUND STRAINER WITH HEEL-PROOF SQUARE OPENINGS	63
<b>ZS400</b> "TYPE BS" ROUND STRAINER WITH SLOTTED OPENINGS	63
<b>Z400</b> "TYPE BL" ROUND STRAINER WITH DEX-O-TEX FLANGE	64
<b>Z400</b> "TYPE C" ROUND HINGED STRAINER	64
<b>Z400</b> "TYPE E" ROUND STRAINER WITH INTEGRAL FUNNEL	65
<b>Z400</b> "TYPE G" ROUND STRAINER WITH DOME	65
<b>Z400</b> "TYPE H" ROUND STRAINER WITH CLAMP DEVICE	66
<b>Z400</b> "TYPE I" ROUND STRAINER WITH RAISED LIP	66
<b>Z400</b> "TYPE J" RECTANGULAR STRAINER WITH HEEL-PROOF SLOTTED OPENINGS	67
<b>Z400</b> "TYPE K" ANGULAR STRAINER	67
<b>Z400</b> "TYPE M" ROUND STRAINER WITH SLOTTED OPENINGS AND SUR-SET BUCKET	68
<b>Z400</b> "TYPE N" ROUND STRAINER WITH DEEP FLANGED GRATE	68
<b>Z400</b> "TYPE S" SQUARE STRAINER	69
<b>ZS400</b> "TYPE SS" SQUARE STRAINER	69
<b>Z400</b> "TYPE SC" SQUARE STRAINER WITH SOLID HINGED COVER	70
<b>Z400</b> "TYPE SH" SQUARE HINGED STRAINER	70
⌚ <b>Z400-SR</b> FLOOR DRAIN STABILIZER RING	71
<b>Z400-U</b> ADJUSTABLE STRAINER EXTENSION	71
⌚ <b>Z400-18</b> LEVELING RING	71
⌚ <b>Z499B</b> ROUND PROTECTIVE COVER FOR FLOOR DRAINS	72
⌚ <b>Z499S</b> SQUARE PROTECTIVE COVER FOR FLOOR DRAINS	72
⌚ <b>Z415-BZ1</b> BODY ASSEMBLY W/ "TYPE B" STRAINER AND EZ1™ TECHNOLOGY	73
⌚ <b>Z415-SZ1</b> BODY ASSEMBLY W/ "TYPE S" STRAINER AND EZ1™ TECHNOLOGY	74
⌚ <b>Z415-BZ1-DP</b> BODY ASSEMBLY W/ "TYPE B" STRAINER, DECK PLATE AND EZ1™ TECHNOLOGY	75
⌚ <b>Z415-SZ1-DP</b> BODY ASSEMBLY W/ "TYPE S" STRAINER, DECK PLATE AND EZ1™ TECHNOLOGY	76
⌚ <b>Z415B-DP</b> BODY ASSEMBLY W/ "TYPE B" STRAINER AND DECK PLATE	77
⌚ <b>Z415S-DP</b> BODY ASSEMBLY W/ "TYPE S" STRAINER AND DECK PLATE	78
<b>Z415</b> BODY ASSEMBLY WITH HEEL-PROOF "TYPE B" STRAINER	79
<b>ZS415</b> BODY ASSEMBLY WITH "TYPE BS" STRAINER	80
<b>Z415</b> BODY ASSEMBLY WITH "TYPE BL" STRAINER	81

## TABLE OF CONTENTS - BY SECTION

<b>Z415</b> BODY ASSEMBLY WITH "TYPE C" STRAINER	<b>82</b>	<b>Z536</b> 15-3/8" DIAMETER HEAVY-DUTY PARKING DECK DRAIN WITH SUPPORT FLANGE	<b>115</b>	<b>Z1000</b> DEEP SEAL TRAP	<b>144</b>
<b>Z415</b> BODY ASSEMBLY WITH "TYPE E" STRAINER	<b>83</b>	<b>Z537</b> 15-7/8" SQUARE TOP HEAVY-DUTY PARKING DECK DRAIN WITH SUPPORT FLANGE	<b>116</b>	<b>Z1019</b> FUNNEL DRAIN WITH "P" TRAP	<b>144</b>
<b>Z415</b> BODY ASSEMBLY WITH "TYPE G" STRAINER	<b>84</b>	<b>Z539</b> 12-1/4" HEAVY-DUTY DRAIN WITH DEEP SUMP	<b>116</b>	<b>Z1020XL</b> ELECTRONIC TRAP PRIMER	<b>145</b>
<b>Z415</b> BODY ASSEMBLY WITH "TYPE H" STRAINER	<b>85</b>	<b>Z540</b> 12-1/4" MEDIUM-DUTY DRAIN WITH SUR-SET BUCKET	<b>117</b>	<b>Z1021</b> WATER SAVER TRAP PRIMER WITH 1-1/2" COPPER SWEAT WALL CONNECTION	<b>145</b>
<b>Z415</b> BODY ASSEMBLY WITH "TYPE I" STRAINER	<b>86</b>	<b>Z541</b> 12-1/4" DIAMETER HEAVY-DUTY DRAIN	<b>118</b>	<b>Z1022-XL</b> LEAD-FREE SANI-GARD AUTOMATIC TRAP PRIMER	<b>146</b>
<b>Z415</b> BODY ASSEMBLY WITH "TYPE J" HEEL-PROOF STRAINER	<b>87</b>	<b>Z545</b> 16" DIAMETER HEAVY-DUTY DRAIN	<b>119</b>	<b>Z1023</b> TRAP PRIMER CONNECTION ADAPTER	<b>146</b>
<b>Z415</b> BODY ASSEMBLY WITH "TYPE K" STRAINER	<b>88</b>	<b>Z546</b> 21-1/2" DIAMETER EXTRA HEAVY-DUTY DRAIN	<b>120</b>	<b>Z1024</b> FIXED AIR GAP	<b>147</b>
<b>Z415</b> BODY ASSEMBLY WITH "TYPE M" STRAINER AND SUR-SET BUCKET	<b>89</b>	<b>Z547</b> 21" DIAMETER EXTRA HEAVY-DUTY HEEL-PROOF PARKING DECK DRAIN WITH SUPPORT FLANGE	<b>120</b>	<b>Z1025</b> FIXED AIR GAP	<b>147</b>
<b>Z415</b> BODY ASSEMBLY WITH "TYPE N" STRAINER	<b>90</b>	<b>Z550</b> 9" DIAMETER MEDIUM-DUTY DRAIN	<b>121</b>	<b>Z1030</b> HUB ADAPTER	<b>148</b>
<b>Z415</b> BODY ASSEMBLY WITH "TYPE S" STRAINER	<b>91</b>	<b>Z551</b> 9" DIAMETER MEDIUM-DUTY DRAIN	<b>122</b>	<b>Z1032</b> INSIDE CAULK REDUCER	<b>148</b>
<b>ZS415</b> BODY ASSEMBLY WITH "TYPE SS" STRAINER	<b>92</b>	<b>Z554</b> 9" MEDIUM-DUTY DRAIN WITH SUR-SET BUCKET	<b>123</b>	<b>Z1033</b> FEMALE PIPE THREAD REDUCER	<b>149</b>
<b>Z415</b> BODY ASSEMBLY WITH "TYPE SC" STRAINER	<b>93</b>	<b>Z555</b> 8" ADJUSTABLE HEAVY-DUTY DRAIN	<b>123</b>	<b>Z1034</b> FEMALE PIPE ECCENTRIC REDUCER	<b>149</b>
<b>Z415</b> BODY ASSEMBLY WITH "TYPE SH" STRAINER	<b>94</b>	<b>Z566</b> 12" SQUARE OPEN TOP DRAIN	<b>124</b>	🕒 <b>Z1035</b> FLOOR DRAIN INSTALLATION STABILIZER	<b>150</b>
<b>Z420</b> DEEP SHANK FLOOR AND SHOWER DRAIN FOR MARBLE AND GRANITE APPLICATIONS	<b>95</b>	<b>Z575</b> 6" X 12" MEDIUM-DUTY GUTTER DRAIN	<b>124</b>	🕒 <b>Z1035-Q</b> STRUCTURAL DECK DRAIN STABILIZER	<b>150</b>
<b>Z450</b> DRUM TRAP DRAIN WITH "TYPE B" STRAINER	<b>96</b>	<b>Z609</b> 9" SQUARE HEAVY-DUTY DRAIN	<b>125</b>	🕒 <b>Z1036</b> FLOOR DRAIN INSTALLATION STABILIZER	<b>151</b>
<b>Z451</b> SHALLOW TRAP DRAIN WITH "TYPE B" STRAINER	<b>97</b>	<b>Z610</b> 12-1/2" HEAVY-DUTY DRAIN	<b>126</b>	<b>Z1040</b> NO-HUB ADAPTER	<b>151</b>
<b>Z453</b> DEEP SEAL TRAP DRAIN WITH "TYPE B" STRAINER	<b>98</b>	<b>Z611</b> 9" MEDIUM-DUTY DRAIN	<b>127</b>	<b>Z1042</b> ELBOW ADAPTER	<b>152</b>
<b>Z455</b> TRAP DRAIN WITH FLOOR CLEANOUT WITH "TYPE B" STRAINER	<b>99</b>	<b>Z624</b> ISOLATION DECK DRAIN	<b>128</b>	<b>Z1088</b> BACKWATER VALVE GATE TYPE	<b>152</b>
<b>Z456</b> DEEP SEAL TRAP DRAIN WITH FLOOR CLEANOUT AND CLAMP COLLAR WITH "TYPE B" STRAINER	<b>100</b>	<b>Z625</b> ADJUSTABLE ISOLATION DECK DRAIN	<b>128</b>	<b>Z1090</b> BACKWATER VALVE FLAPPER TYPE	<b>153</b>
<b>Z460B</b> SHALLOW BODY FLOOR DRAIN WITH SIDE OUTLET AND "TYPE B" STRAINER	<b>101</b>	<b>Z627</b> HEAVY-DUTY ADJUSTABLE ISOLATION DECK DRAIN	<b>129</b>	<b>Z1091</b> BACKWATER VALVE FLAPPER TYPE	<b>153</b>
<b>Z461</b> 6" SQUARE MODULAR NON-ADJUSTABLE FLOOR DRAIN WITH CLAMPING FRAME	<b>102</b>	<b>Z629</b> VERTICAL WALL DRAIN WITH BACKWATER VALVE	<b>130</b>	<b>Z1095</b> BACKWATER VALVE FLAPPER TYPE	<b>154</b>
<b>Z503</b> 15" HEAVY-DUTY AREA DRAIN	<b>102</b>	<b>Z645</b> 12-1/2" X 12-1/2" HEAVY-DUTY DRAIN	<b>131</b>	<b>Z1099</b> BACKWATER VALVE BALL FLOAT TYPE	<b>155</b>
<b>Z505</b> 12" HEAVY-DUTY DRAIN	<b>103</b>	<b>Z662</b> 16" HEAVY-DUTY DRAIN	<b>132</b>		
<b>Z507</b> 7" MEDIUM-DUTY DRAIN	<b>104</b>	<b>Z662-HF</b> 16" HEAVY-DUTY DRAIN WITH HIGH FLOW DUCTILE IRON GRATE	<b>133</b>	<b>INTERCEPTORS</b>	
<b>Z508</b> 9" EXTRA-HEAVY-DUTY DRAIN	<b>105</b>	<b>Z664</b> 6" WIDE HEAVY-DUTY MODULAR TRENCH DRAIN	<b>134</b>	INTERCEPTORS – GENERAL INFORMATION	<b>158</b>
<b>Z509</b> 12-1/4" HEAVY-DUTY DRAIN	<b>106</b>	<b>Z665</b> 12" WIDE HEAVY-DUTY MODULAR TRENCH DRAIN	<b>135</b>	INTERCEPTORS – APPLICATION INDEX	<b>158</b>
<b>Z511</b> 9" HEAVY-DUTY DRAIN	<b>107</b>	<b>Z667</b> 6" WIDE MEDIUM-DUTY MODULAR TRENCH DRAIN	<b>136</b>	GREASE INTERCEPTORS – PURPOSE	<b>158</b>
<b>Z512</b> 12-1/4" HEAVY-DUTY DRAIN	<b>108</b>	<b>Z668</b> 11-1/4" X 19-1/4" HEAVY-DUTY DRAIN	<b>136</b>	GREASE INTERCEPTORS – OPERATION	<b>159</b>
<b>Z513</b> 9" SQUARE HINGED HEAVY-DUTY DRAIN	<b>109</b>	<b>Z673</b> 29" X 30" EXTRA HEAVY-DUTY DRAIN	<b>137</b>	<b>Z250H</b> FOG-CEPTOR® INTERCEPTOR	<b>160</b>
<b>Z520</b> 9-1/4" ADJUSTABLE HEAVY-DUTY DRAIN	<b>110</b>	<b>Z675</b> 13-1/2" EXTRA HEAVY-DUTY DRAIN	<b>138</b>	<b>Z1165</b> 100 PPM GREASE INTERCEPTOR SYSTEM WITH SOLIDS INTERCEPTOR	<b>161</b>
<b>Z521</b> 12-1/4" DIAMETER ADJUSTABLE HEAVY-DUTY DRAIN	<b>111</b>	<b>Z676</b> 13-1/2" EXTRA HEAVY-DUTY DRAIN	<b>138</b>	<b>Z1170</b> GREASE INTERCEPTOR	<b>162</b>
<b>Z526</b> 12-1/4" ADJUSTABLE HEAVY-DUTY DRAIN	<b>112</b>	<b>Z730</b> 9" TOP MEDIUM-DUTY DRAIN	<b>139</b>	<b>Z1170-UN</b> GREASE INTERCEPTOR WITH USER NOTIFICATION SYSTEM	<b>163</b>
<b>Z530</b> 9" MEDIUM-DUTY WIDE FLANGE DECK DRAIN	<b>112</b>	<b>Z742</b> LIGHT-DUTY TRAP DRAIN	<b>140</b>	<b>ZS1170</b> GREASE INTERCEPTOR STAINLESS STEEL	<b>164</b>
<b>Z531</b> 9" ADJUSTABLE FRAME WIDE FLANGE MEDIUM-DUTY DECK DRAIN	<b>113</b>	<b>VP-DRIVER</b> VANDAL-PROOF DRIVER	<b>140</b>	<b>Z1171</b> LOW PROFILE GREASE INTERCEPTOR	<b>165</b>
<b>Z532</b> 12-1/4" DIAMETER WIDE FLANGE HEAVY-DUTY FLOOR DRAIN	<b>113</b>			<b>Z1171-TD</b> LOW PROFILE GREASE INTERCEPTOR WITH ACCUMULATING CONE AND FLOW CONTROL TEE	<b>166</b>
<b>Z533</b> 9" DIAMETER HEAVY-DUTY PARKING DECK DRAIN WITH SUPPORT FLANGE	<b>114</b>	<b>TRAPS, PRIMERS, AND BACKWATER VALVES</b>		<b>Z1172</b> LARGE CAPACITY GREASE INTERCEPTOR	<b>167</b>
<b>Z534</b> 12-1/4" DIAMETER HEAVY-DUTY PARKING DECK DRAIN WITH SUPPORT FLANGE	<b>114</b>	TRAPS, PRIMERS, AND BACKWATER VALVES – APPLICATION INDEX	<b>142</b>	<b>Z1172-UN</b> LARGE CAPACITY GREASE INTERCEPTOR WITH USER NOTIFICATION SYSTEM	<b>168</b>
<b>Z535</b> HEAVY-DUTY PARKING STRUCTURE DRAIN	<b>115</b>	TRAPS, PRIMERS, AND BACKWATER VALVES – OPTIONS AND VARIATIONS	<b>142</b>	<b>Z1173</b> EJECTO-MATIC GREASE INTERCEPTOR	<b>169</b>
		<b>Z1072</b> ZSHIELD™ BARRIER TRAP SEAL DEVICE FOR FLOOR DRAINS	<b>143</b>	<b>Z1173-TD</b> EJECTO-MATIC GREASE INTERCEPTOR WITH GREASE ACCUMULATING CONE AND IN-LINE SHUTOFF VALVE	<b>170</b>

## TABLE OF CONTENTS - BY SECTION

<b>Z1174</b> GREASE EATING BACTERIA DOSING UNIT AND SOLIDS INTERCEPTOR COMBINATION	<b>171</b>	⌚ <b>Z1201-FMBO</b> EZCARRY® ADJUSTABLE HORIZONTAL HIGH PERFORMANCE SIPHON JET WATER CLOSET CARRIER SYSTEM WITH FLOOR MOUNT BACK OUTLET FIXTURE SUPPORT	<b>198</b>	<b>Z1203-H</b> ADJUSTABLE HORIZONTAL SIPHON JET – HUB AND SPIGOT SERIES	<b>224</b>
SOLIDS INTERCEPTORS – GENERAL PRODUCT INFORMATION	<b>172</b>	⌚ <b>Z1202-FMBO</b> EZCARRY® ADJUSTABLE VERTICAL HIGH PERFORMANCE SIPHON JET WATER CLOSET CARRIER SYSTEM WITH FLOOR MOUNT BACK OUTLET FIXTURE SUPPORT	<b>199</b>	⌚ <b>ZE1203-N</b> ADJUSTABLE HORIZONTAL SIPHON JET WITH ELONGATED FITTING – NO-HUB SERIES	<b>226</b>
SOLIDS INTERCEPTORS – APPLICATION INDEX	<b>172</b>	⌚ <b>Z1201-N</b> EZCARRY® ADJUSTABLE HORIZONTAL HIGH PERFORMANCE SIPHON JET NO-HUB WATER CLOSET CARRIER SYSTEM	<b>200</b>	⌚ <b>ZE1203-H</b> ADJUSTABLE HORIZONTAL SIPHON JET WITH ELONGATED FITTING – HUB AND SPIGOT SERIES	<b>228</b>
SOLIDS INTERCEPTORS – SIZING	<b>172</b>	⌚ <b>Z1201-H</b> EZCARRY® ADJUSTABLE HORIZONTAL HIGH PERFORMANCE SIPHON JET HUB AND SPIGOT WATER CLOSET CARRIER SYSTEM	<b>202</b>	<b>Z1204-H</b> ADJUSTABLE VERTICAL SIPHON JET – HUB AND SPIGOT SERIES	<b>230</b>
<b>Z1175</b> HAIR INTERCEPTOR	<b>173</b>	<b>Z1201-N_4-XB</b> BARIATRIC CARRIER - 1000 LBS [454 KG] – EZCARRY® ADJUSTABLE HORIZONTAL HIGH PERFORMANCE SIPHON JET NO-HUB WATER CLOSET CARRIER SYSTEM	<b>204</b>	<b>Z1204-N</b> ADJUSTABLE VERTICAL SIPHON JET – NO-HUB SERIES	<b>232</b>
<b>Z1176</b> HAIR INTERCEPTOR	<b>173</b>	<b>Z1201-N_4-XH</b> EXTRA-HEAVY-DUTY - 750 LBS [340 KG] – EZCARRY® ADJUSTABLE HORIZONTAL HIGH PERFORMANCE SIPHON JET NO-HUB WATER CLOSET CARRIER SYSTEM	<b>205</b>	<b>Z1207-N</b> ADJUSTABLE HORIZONTAL HIGH ROUGH-IN SIPHON JET – NO-HUB	<b>234</b>
<b>Z1180</b> SOLIDS INTERCEPTOR	<b>174</b>	⌚ <b>ZE1201-N_4</b> ELONGATED BARREL FITTING 38" [965 MM] – EZCARRY® ADJUSTABLE HORIZONTAL HIGH PERFORMANCE SIPHON JET NO-HUB WATER CLOSET CARRIER SYSTEM	<b>206</b>	<b>Z1208-N</b> VERTICAL SIPHON JET WATER CLOSET SUPPORT SYSTEM – NO-HUB	<b>235</b>
<b>Z1181</b> SOLIDS INTERCEPTOR	<b>174</b>	⌚ <b>ZE1201-H</b> ELONGATED BARREL FITTING 41" [1042 MM] – EZCARRY® ADJUSTABLE HORIZONTAL HIGH PERFORMANCE SIPHON JET HUB AND SPIGOT WATER CLOSET CARRIER SYSTEM	<b>208</b>	<b>Z1208-H</b> VERTICAL SIPHON JET WATER CLOSET SUPPORT SYSTEM – HUB AND SPIGOT	<b>236</b>
<b>Z1182</b> SIDE ACCESS SOLIDS INTERCEPTOR	<b>175</b>	⌚ <b>ZF1201-U</b> ONE-PIECE FOOT/FACEPLATE – EZCARRY® HORIZONTAL HIGH PERFORMANCE SIPHON JET NO-HUB WATER CLOSET CARRIER SYSTEM	<b>210</b>	<b>Z1209-N</b> VERTICAL OFFSET SIPHON JET WATER CLOSET SUPPORT SYSTEM – NO-HUB	<b>237</b>
<b>Z1183</b> SOLIDS INTERCEPTOR	<b>175</b>	⌚ <b>ZF1201-N</b> EZCARRY® HORIZONTAL SIPHON JET ONE-PIECE CARRIER – NO-HUB SERIES	<b>211</b>	<b>ZN1209-N</b> VERTICAL OFFSET SIPHON JET – NO-HUB NARROW WALL SYSTEM	<b>238</b>
<b>Z1183-DF</b> SOLIDS INTERCEPTOR WITH DISPOSABLE FILTER BAGS	<b>176</b>	⌚ <b>ZN1201-N</b> EZCARRY® ADJUSTABLE HORIZONTAL SIPHON JET – NO-HUB NARROW WALL SYSTEM (9-3/8" DEPTH FRONT TO BACK)	<b>212</b>	<b>Z1212</b> WALL CLOSET SUPPORT SYSTEM	<b>239</b>
<b>Z1183-FC</b> SOLIDS INTERCEPTOR WITH FLUSH COVER	<b>177</b>	⌚ <b>Z1202-N</b> EZCARRY® ADJUSTABLE VERTICAL HIGH PERFORMANCE SIPHON JET – NO-HUB SERIES	<b>213</b>	<b>Z1213-N</b> 4" VERTICAL SIPHON JET WATER CLOSET SUPPORT SYSTEM – 2" OR 4" TOP VENT CLOSET FITTING ONLY (NO SUPPORT)	<b>240</b>
<b>Z1184</b> BOTTOM ACCESS SOLIDS INTERCEPTOR	<b>178</b>	⌚ <b>Z1202-H</b> EZCARRY® ADJUSTABLE VERTICAL HIGH PERFORMANCE SIPHON JET – HUB AND SPIGOT SERIES	<b>215</b>	<b>Z1216</b> 90° DOUBLE NO-HUB SYSTEM FOR FLOOR MOUNTED BACK OUTLET WATER CLOSETS	<b>240</b>
<b>Z1185</b> LINT INTERCEPTOR	<b>179</b>	<b>Z1202-N-XB</b> EZCARRY® BARIATRIC CARRIER – 1000 LB ADJUSTABLE VERTICAL SIPHON JET – NO-HUB SERIES	<b>217</b>	<b>Z1217</b> COUPLING TYPE SYSTEM – WALL URINAL/SERVICE SINK	<b>241</b>
OIL INTERCEPTORS – GENERAL PRODUCT INFORMATION	<b>180</b>	<b>Z1202-N-XH</b> EZCARRY® EXTRA HEAVY-DUTY 750 LB ADJUSTABLE VERTICAL SIPHON JET – NO-HUB SERIES	<b>218</b>	<b>Z1218</b> COUPLING TYPE SYSTEM – WALL URINAL/SERVICE SINK	<b>242</b>
OIL INTERCEPTORS – APPLICATION INDEX	<b>180</b>	⌚ <b>ZF1202-U</b> EZCARRY® ONE-PIECE FOOT/FACEPLATE VERTICAL SIPHON JET NO-HUB WATER CLOSET CARRIER SYSTEM	<b>219</b>	<b>Z1221</b> PLATE TYPE SYSTEM – WALL URINALS	<b>243</b>
<b>Z1186</b> OIL INTERCEPTOR	<b>181</b>	⌚ <b>ZF1202-N</b> EZCARRY® VERTICAL SIPHON JET ONE-PIECE CARRIER – NO-HUB SERIES	<b>220</b>	<b>Z1222</b> PLATE TYPE SYSTEM – WITH BEARING PLATE	<b>243</b>
<b>Z1186-ST</b> OIL INTERCEPTOR WITH INTEGRAL STORAGE TANK	<b>182</b>	⌚ <b>ZN1202-N</b> EZCARRY® ADJUSTABLE VERTICAL SIPHON JET – NO-HUB NARROW WALL SYSTEM	<b>221</b>	<b>Z1223</b> PLATE TYPE SYSTEM – TROUGH URINALS	<b>244</b>
<b>Z1187</b> SAND AND SEDIMENT INTERCEPTOR	<b>183</b>	<b>Z1203-N</b> ADJUSTABLE HORIZONTAL SIPHON JET – NO-HUB SERIES	<b>222</b>	<b>Z1224</b> PLATE TYPE SYSTEM – LAVATORY WITH BACK	<b>244</b>
<b>Z1187-SI</b> SAND INTERCEPTOR	<b>184</b>	⌚ <b>Z1203-H</b> ADJUSTABLE HORIZONTAL SIPHON JET – HUB AND SPIGOT SERIES	<b>224</b>	<b>Z1225</b> PLATE TYPE SYSTEM – WATER COOLERS	<b>245</b>
<b>Z1188</b> LARGE CAPACITY OIL INTERCEPTOR	<b>185</b>	⌚ <b>Z1203-N</b> ADJUSTABLE HORIZONTAL SIPHON JET – NO-HUB SERIES	<b>222</b>	<b>Z1229</b> PLATE AND EXPOSED ARM – HEAVY SINKS	<b>245</b>
<b>Z1188-ST</b> LARGE CAPACITY OIL INTERCEPTOR WITH INTEGRAL STORAGE TANK	<b>186</b>	⌚ <b>Z1203-N</b> ADJUSTABLE HORIZONTAL SIPHON JET – NO-HUB SERIES	<b>222</b>	<b>Z1231</b> CONCEALED ARM SYSTEM – WALL LAVATORIES	<b>246</b>
<b>Z1189</b> OIL/SEDIMENT INTERCEPTOR WITH HEAVY-DUTY GRATE	<b>187</b>			⌚ <b>Z1231EZ</b> UNIVERSAL LAVATORY CARRIER – WALL LAVATORIES	<b>246</b>
<b>Z1194</b> OIL LEVEL SENSOR RETROFIT KIT	<b>188</b>			<b>Z1236</b> EXPOSED ARM SYSTEM – WALL LAVATORIES/SINKS	<b>247</b>
<b>Z1196</b> OIL INTERCEPTOR WITH OIL LEVEL SENSOR	<b>189</b>			<b>Z1251</b> CONCEALED ARM SYSTEM – WALL SUPPORTED	<b>248</b>
<b>Z1198</b> LARGE CAPACITY OIL INTERCEPTOR WITH OIL LEVEL SENSOR	<b>190</b>			<b>Z1253</b> ADJUSTABLE CONCEALED ARM SYSTEM – WALL SUPPORTED	<b>248</b>
<b>Z1198-ST</b> LARGE CAPACITY OIL INTERCEPTOR WITH INTEGRAL STORAGE TANK AND OIL LEVEL FLOAT SENSOR	<b>191</b>			<b>Z1255</b> EXPOSED ARM SYSTEM – WALL SUPPORTED	<b>249</b>
<b>Z9A-PHIX</b> UNDER SINK ACID NEUTRALIZATION CARTRIDGE SYSTEM	<b>192</b>			<b>Z1256</b> EXPOSED ARM SYSTEM – WALL SUPPORTED	<b>250</b>
<b>Z9-PHIX-MEDIA</b> PHIX MEDIA 5 GALLON PAIL	<b>192</b>			<b>Z1257</b> EXPOSED ARM SYSTEM – WALL SUPPORTED	<b>250</b>
<b>CARRIER SYSTEMS</b>				<b>Z1258</b> EXPOSED ARM SYSTEM – WALL SUPPORTED	<b>251</b>
CARRIER – APPLICATION INDEX	<b>194</b>			<b>Z1259</b> PLATE SYSTEM – WALL SUPPORTED	<b>252</b>
CARRIER – PRODUCT COMPLIANCE	<b>194</b>				
CARRIER – TECHNICAL DATA	<b>194</b>				
CARRIER – HOW TO SPECIFY	<b>194</b>				
CARRIER – TECHNICAL DATA	<b>195</b>				
<b>Z1200</b> CARRIER TOOLS AND ACCESSORIES	<b>196</b>				

## TABLE OF CONTENTS - BY SECTION

### HYDRANTS

HYDRANTS - APPLICATION INDEX	254
<b>Z1300</b> ECOLOTROL WALL HYDRANT – ENCASED, NON-FREEZE, ANTI-SIPHON, AUTOMATIC DRAINING	255
<b>Z1305</b> WALL HYDRANT – ENCASED, NON-FREEZE	255
<b>Z1310</b> ECOLOTROL WALL HYDRANT – EXPOSED, NON-FREEZE, ANTI-SIPHON, AUTOMATIC DRAINING	256
<b>Z1315</b> WALL HYDRANT – EXPOSED, NON-FREEZE	256
<b>Z1320XL</b> ECOLOTROL CERAMIC DISC WALL HYDRANT – ENCASED, NON-FREEZE, ANTI-SIPHON, AUTOMATIC DRAINING	257
⌚ <b>Z1320XL-EZ</b> ECOLOTROL CERAMIC DISC WALL HYDRANT – ENCASED, NON-FREEZE, ANTI-SIPHON, AUTOMATIC DRAINING	257
<b>Z1321XL</b> ECOLOTROL CERAMIC DISC WALL HYDRANT – EXPOSED, NON-FREEZE, ANTI-SIPHON, AUTOMATIC DRAINING	258
⌚ <b>Z1322XL-EZ</b> ECOLOTROL CERAMIC DISC WALL HYDRANT – EXPOSED, NON-FREEZE, ANTI-SIPHON, AUTOMATIC DRAINING	258
<b>Z1325</b> WALL HYDRANT – ENCASED, VARI-TEMP, NON-FREEZE	259
⌚ <b>Z1327-EZ</b> NARROW WALL HOT/COLD HYDRANT WITH MOUNTING BRACKETS – ENCASED, MODERATE CLIMATE	259
<b>Z1330XL</b> ECOLOTROL CERAMIC DISC WALL HYDRANT – ENCASED, ANTI-SIPHON, AUTOMATIC DRAINING, MODERATE CLIMATE	260
⌚ <b>Z1332XL-EZ</b> ECOLOTROL CERAMIC DISC WALL HYDRANT – ENCASED, ANTI-SIPHON, AUTOMATIC DRAINING, MODERATE CLIMATE	260
<b>Z1333XL</b> ECOLOTROL CERAMIC DISC WALL HYDRANT – EXPOSED, ANTI-SIPHON, AUTOMATIC DRAINING, MODERATE CLIMATE	261
<b>Z1335</b> WALL HYDRANT – ENCASED, MODERATE CLIMATE	261
<b>Z1350</b> NARROW WALL HYDRANT – ENCASED, MODERATE CLIMATE	262
⌚ <b>Z1350-EZ</b> NARROW WALL HYDRANT WITH MOUNTING BRACKETS – ENCASED, MODERATE CLIMATE	262
<b>Z1360XL</b> GROUND HYDRANT – ENCASED, FLUSH TYPE, NON-FREEZE	263
<b>Z1365</b> GROUND HYDRANT – ENCASED, FLUSH TYPE, NON-FREEZE	264
<b>Z1370</b> GROUND HYDRANT – ENCASED, HOSE STORAGE, NON-FREEZE	265
<b>Z1375</b> GROUND HYDRANT – ENCASED, MODERATE CLIMATE, INTERIOR USE	266
<b>Z1385</b> POST HYDRANT – EXPOSED HEAD, NON-FREEZE	266
<b>Z1388XL</b> ROOF HYDRANT – EXPOSED HEAD, NON-FREEZE	267
<b>Z1390</b> POST HYDRANT – EXPOSED HEAD, NON-FREEZE	267
<b>Z1395XL</b> YARD HYDRANT – EXPOSED HEAD, NON-FREEZE	268
<b>Z1397XL</b> FLO-TROL YARD HYDRANT – EXPOSED HEAD, NON-FREEZE	268

### CLEANOUTS

CLEANOUTS – APPLICATION INDEX	270
⌚ <b>Z1400-BZ1</b> FLOOR CLEANOUT WITH "TYPE B" COVER AND EZ1™ TECHNOLOGY	271
⌚ <b>Z1400-SZ1</b> BODY ASSEMBLY W/ "TYPE S" COVER AND EZ1™ TECHNOLOGY	272
⌚ <b>Z1400-BZ1-DP</b> BODY ASSEMBLY W/ "TYPE B" COVER, DECK PLATE AND EZ1™ TECHNOLOGY	273
⌚ <b>Z1400-SZ1-DP</b> BODY ASSEMBLY W/ "TYPE S" COVER, DECK PLATE AND EZ1™ TECHNOLOGY	274
⌚ <b>Z1400B-DP</b> BODY ASSEMBLY W/ "TYPE B" COVER AND DECK PLATE	275
⌚ <b>Z1400S-DP</b> BODY ASSEMBLY W/ "TYPE S" COVER AND DECK PLATE	275
<b>Z1400</b> EXTRA HEAVY-DUTY "LEVEL-TROL" ADJUSTABLE FLOOR CLEANOUT	276
<b>Z1400-K</b> HEAVY-DUTY "LEVEL-TROL" ADJUSTABLE FLOOR CLEANOUT WITH ANCHOR FLANGE	277
<b>Z1402</b> HEAVY-DUTY NON-ADJUSTABLE FLOOR CLEANOUT	278
<b>Z1404</b> HEAVY-DUTY FLOOR ACCESS HOUSING	279
<b>Z1406</b> HEAVY-DUTY ADJUSTABLE SPIGOT CLEANOUT	279
<b>Z1440</b> CLEANOUT FERRULE WITH PLUG	280
<b>Z1445</b> CLEANOUT TEE	280
<b>Z1446</b> CLEANOUT WITH ROUND WALL ACCESS COVER	281
<b>Z1449</b> CLEANOUT FERRULE WITH PLUG	281
<b>Z1454</b> ADJUSTABLE FLOOR CLEANOUT WITH FLASHING FLANGE	282
<b>Z1456</b> DECK CLEANOUT	282
<b>Z1457</b> FLOOR ACCESS COVER	283
<b>Z1460</b> SQUARE WALL ACCESS PANEL	283
<b>Z1461</b> SQUARE HINGED ACCESS PANEL	284
<b>Z1462</b> SECURED WALL ACCESS PANEL	284
<b>Z1463</b> ROUND SCORIATED ACCESS COVER	285
<b>Z1464</b> WATER SUPPLY CONTROL BOX ASSEMBLY	285
<b>Z1468</b> ACCESS COVER AND PLUG	286
<b>Z1469</b> ROUND ACCESS COVER	286
<b>Z1470</b> BRONZE CLEANOUT PLUG	287
<b>Z1471</b> AIR INLET	287
<b>Z1474</b> HEAVY-DUTY CLEANOUT HOUSING	288
<b>WATER HAMMER ARRESTORS</b>	
<b>Z1700</b> SHOKTROL WATER HAMMER ARRESTORS	290
<b>Z1712</b> ACCUMUTROL	290
<b>STAINLESS STEEL DRAINS</b>	
STAINLESS STEEL DRAINS – APPLICATION INDEX	292
STAINLESS STEEL DRAINS – BUTT-WELD ENGINEERING DATA	292
<b>Z1715</b> 15" DIAMETER ROOF DRAIN	293

<b>Z1717</b> SCUPPER DRAIN	293
<b>Z1720</b> 4" X 8" OPEN SIGHT DRIP DRAIN	294
<b>Z1721</b> 6" X 12" OPEN SIGHT DRIP DRAIN	294
<b>Z1724</b> ROUND FUNNEL	295
<b>Z1725</b> OVAL FUNNEL	295
<b>Z1726</b> ADJUSTABLE MEDIUM DUTY FLOOR DRAIN WITH ROUND TOP	296
<b>Z1727</b> ADJUSTABLE MEDIUM DUTY FLOOR DRAIN WITH SQUARE TOP	297
<b>Z1730</b> 9" DIAMETER HEAVY-DUTY SHALLOW TYPE FLOOR DRAIN	298
<b>Z1731</b> 9" DIAMETER HEAVY-DUTY MEDIUM DEPTH FLOOR DRAIN	298
<b>Z1732</b> 9-5/8" DIAMETER HEAVY-DUTY ADJUSTABLE FLOOR DRAIN	299
<b>Z1735</b> 12" DIAMETER HEAVY-DUTY FLOOR DRAIN	299
<b>Z1736</b> 12" DIAMETER EXTRA HEAVY-DUTY FLOOR DRAIN	300
<b>Z1737</b> 15" DIAMETER EXTRA HEAVY-DUTY FLOOR DRAIN	300
<b>Z1739</b> PIT DRAIN	301
<b>Z1740</b> BACKWATER VALVE	301
<b>Z1745</b> FLOOR CLEANOUT WITH O-RING SEAL PLUG	302
<b>Z1749</b> 12" X 12" SANI-FLORECEPTOR WITH 4" SUMP DEPTH	303
<b>Z1750</b> 12" X 12" SANI-FLORECEPTOR WITH 6" SUMP DEPTH	304
<b>Z1751</b> 12" X 12" SANI-FLORECEPTOR WITH 8" SUMP DEPTH	305
<b>Z1752</b> 12" X 12" SANI-FLORECEPTOR WITH 10" SUMP DEPTH	306
<b>Z1755</b> 13-3/8" SQUARE SANI-FLORECEPTOR 6" SUMP WITH ADJUSTABLE CLAMP FRAME	307
<b>Z1761</b> 24-5/16" SQUARE KETTLE DRAIN WITH 8" SUMP DEPTH	307
<b>Z1762</b> 25" X 15-1/2" KETTLE DRAIN	308
<b>Z1763</b> 37-9/16" X 22-7/8" KETTLE DRAIN	308

### SANI-FLORECEPTORS

SANI-FLORECEPTORS – MATERIAL SELECTION	310
SANI-FLORECEPTORS – OPTIONS AND VARIATIONS	310
<b>Z1900</b> 12" X 12" A.R.E. SANI-FLORECEPTOR WITH 6" SUMP DEPTH	311
⌚ <b>Z1900-RL</b> 12" X 12" X 6" REPLACEMENT FLOOR SINK LINER	312
<b>Z1901</b> 12" X 12" A.R.E. SANI-FLORECEPTOR WITH 8" SUMP DEPTH	313
⌚ <b>Z1901-RL</b> 12" X 12" X 8" REPLACEMENT FLOOR SINK LINER	314
<b>Z1902</b> 12" X 12" A.R.E. SANI-FLORECEPTOR WITH 10" SUMP DEPTH	315
⌚ <b>Z1902-RL</b> 12" X 12" X 10" REPLACEMENT FLOOR SINK LINER	316

## TABLE OF CONTENTS - BY SECTION

🕒 <b>Z1903</b> SANI-FLOOR RECEPTOR INSTALLATION STABILIZER	<b>316</b>
<b>Z1910</b> 8" X 8" A.R.E. SANI-FLOOR RECEPTOR WITH 6" SUMP DEPTH	<b>317</b>
🕒 <b>Z1910-RL</b> 8" X 8" X 6" REPLACEMENT FLOOR SINK LINER	<b>318</b>
<b>Z1920</b> 16" X 16" A.R.C. SANI-FLOOR RECEPTOR WITH 7" SUMP DEPTH	<b>319</b>
<b>Z1926</b> 16" X 16" A.R.C. SANI-FLOOR RECEPTOR WITH 12" SUMP DEPTH	<b>320</b>
<b>Z1930</b> 8" X 4" A.R.C. SANI-FLOOR RECEPTOR WITH 4" SUMP DEPTH	<b>321</b>
<b>Z1940</b> 12" X 6" A.R.C. SANI-FLOOR RECEPTOR WITH 8" SUMP DEPTH	<b>322</b>
<b>Z1950</b> 12" DIAMETER A.R.E. SANI-FLOOR RECEPTOR WITH 8" SUMP DEPTH	<b>323</b>
<b>Z1960</b> 8" DIAMETER A.R.E. SANI-FLOOR RECEPTOR WITH 6" SUMP DEPTH	<b>324</b>
<b>Z1970</b> 9" DIAMETER SHALLOW A.R.C. SANI-FLOOR RECEPTOR WITH 3" SUMP DEPTH	<b>325</b>
<b>Z1982</b> 12" X 12" STAINLESS STEEL SANI-FLOOR CAN WASH DRAIN WITH 8" SUMP DEPTH	<b>326</b>
<b>Z1995</b> 24" X 16" A.R.C. SANI-FLOOR RECEPTOR WITH 17" SUMP DEPTH	<b>326</b>

## TECHNICAL INFORMATION

TECHNICAL INFO - ZURN OUTLET PIPE CONNECTIONS	<b>328</b>
TECHNICAL INFO - TOP LOADING CLASSIFICATION	<b>329</b>
TECHNICAL INFO - ZURN MATERIALS AND FINISHES	<b>330</b>
ALPHANUMERIC INDEX	<b>332</b>
GENERAL TERMS AND CONDITIONS	<b>336</b>

**NOTE:** Items designated as best sellers are most specified and are generally in stock for shipment.

🕒 **Z100F FLOFORCE™**



## There Is No Equal

Z100F FloForce High Performance Roof Drain was designed to promote flow efficiency. The efficiency of this new drain is realized through a redesigned system, which optimizes the flow, at lower head depths.

To develop FloForce, we stepped back to the very beginning. Our engineers collaborated with industry partners, calculated possible enhancements, prototyped model after model, and tested and validated each iteration in our US-based facility.

The FloForce parabolical design and enhancements are engineered to flow at a lower head depth. The new drain was designed with the engineer, contractor, building owner, and roofer in mind. Beyond quick and effective evacuation, the unique dome and gravel guard limit debris and roof damage.

Reach your roof's flow potential, from install through torrential rainfall.

## Reach Your Roof's Flow Potential

### Up to Code

With emerging codes, engineers require real data for every roof drain. So, we determined the ideal specs and demonstrated the data for our go-to-market model.

- Over 2 years of prototypes paved the way to our FloForce today.
- Authentic flow data allows engineers to meet IPC code requirements during specification.
- Flow Curves provide the data Engineers need to calculate roof specification.
- Testing process adheres with ASME A112.6.4 testing criteria.

### Easy Install

We solved for our contractor customers too. The labor-saving design eliminates pains and costs during installation.

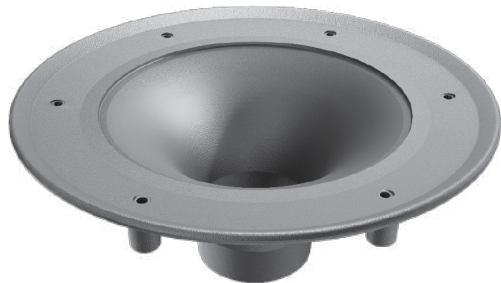
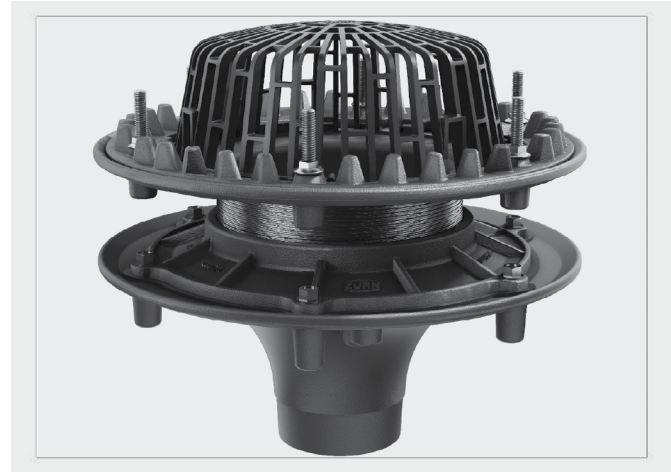
- Optimized storm evacuation that may result in fewer systems required on each roof.
- Membrane-cut ridge and site holes ensures proper installation without hindering future performance.
- No sharp corners reduce risk of injury on the job.
- One-person installation saving time and money on the jobsite.



## Superior Performance

A lot happens on a roof that we don't see. Debris, standing water, unpredictable weather—FloForce keeps up by design, so building owners can have peace of mind.

- Parabolic design creates laminar flow and evacuates water off the roof at lower head depths to create safer environment.
- Improved flow performance provides a more efficient system
- Unique dome and gravel guard design increase open area to maximize water drainage while limiting debris.
- Lean body and ladder pattern inhibit obstructions to slow things down.



- Partially recessed installation depth
- Sculpted waterfall shape
- Bosses moved outside of flow path
- Added circular-cut edge



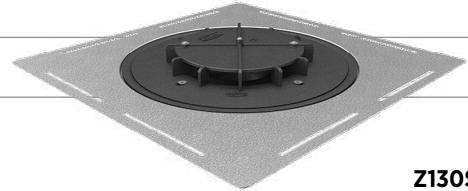
- Teardrop-shaped gravel guard
- Smooth V-notch openings more than tripled the quantity of openings compared to a traditional design



- Staggered horizontal ribs which reduce isolated flow restrictions
- Greater open area per inch of dome height

*FloForce sets the new standard in roof drainage. Visit [zurn.com/floforce](http://zurn.com/floforce), and never drain the same.*

**Z130S AND Z131S SIPHONIC ROOF DRAINS**



**Z130S**



**Z131S**

## Custom Engineered To Meet the Needs of Your Building

Let Zurn® help you design the ideal siphonic drain system for your facility. Our systems result in more usable building space due to no-slope, horizontal piping that takes up less space running below the roof as compared to a gravity roof drain system. And our siphonic drains also utilize smaller pipe diameters which translates to lower building costs.



### Reduced Building Cost

System uses smaller pipe diameters between 3"-6" versus traditional-sized pipes of 8"-12" used in other designs.



### Quiet Operation

Near silent operation when siphonic roof drain is under full bore flow condition.



### Quicker Installation

Integrated deck plate cuts roof drain installation time in half, compared to traditional installation methods.



### Less Maintenance

Higher flow velocities make the system self-cleaning so there's no need for additional cleanouts.



### Flexible Installation

System design allows for flexible vertical stack placement based on individual architectural needs.



### Earn LEED Credits

Unique design can help earn credits for materials, innovation, sustainable sites, water efficiency, regional priority and atmosphere.

Contact your Zurn Elkay Sales Representative today to learn more.

**PRODUCT HIGHLIGHT**

**EZ1™ TECHNOLOGY**

**LONG-TERM DURABILITY**

Whether cast iron or plastic, EZ1 is crafted to stand up against wear and tear over the product's lifecycle.

**A SPEEDY SETUP**

Sold complete and ready to install, EZ1 is an intuitive product that saves contractors time and money.

**DESIGNED TO RUN LIKE CLOCKWORK**

EZ1's integrated engineering, which includes an easy post-pour adjustment and tilt accessory package, delivers high-level functionality and requires minimal skill to install or maintain.

**SAVE OVER 14 MINUTES PER DRAIN INSTALL**

# Introducing the EZ1™, It's About Time

Contractors have waited long enough for a floor drain that's easy to install and built for the long haul. Zurn's EZ1—available in cast iron and plastic—comes out of the box as a complete system, allows for post-pour adjustment with an integrated strainer, provides job-site flexibility and maintains ongoing reliability.

Don't hesitate. Make the EZ choice. *Learn more at [zurn.com/ez1](http://zurn.com/ez1)*



**ZURN.COM**

**US 1.855.ONE.ZURN CANADA 1.877.892.5216**



⌚ This symbol denotes a product that is engineered to reduce installation and rework time.

For additional product information, please visit [zurn.com/laborsavings](http://zurn.com/laborsavings) | Patent [zurn.com/patents](http://zurn.com/patents)



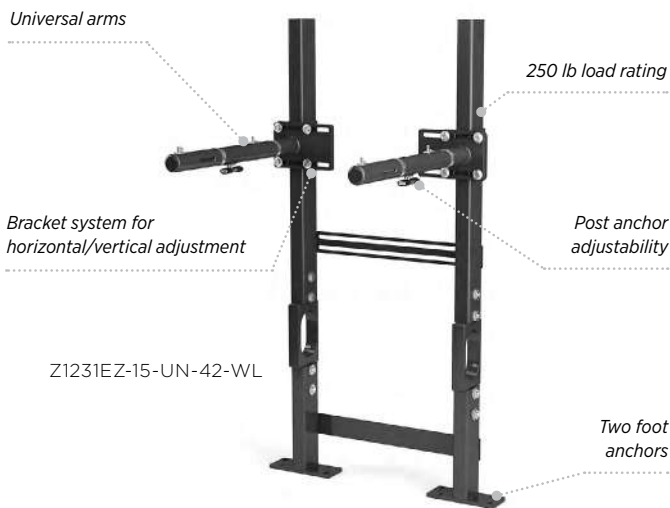
**Z1231EZ UNIVERSAL LAVATORY CARRIER**

# Leave Your Carrier Code Book Behind



Z1231EZ-15-UN-42

Whether you're a prefab contractor or the project engineer, our EZ Lavatory Carrier easily adapts to any application on the jobsite. The carrier features universal arms, an independent horizontal and vertical bracket system, and only two anchors per upright foot. You'll save steps without sacrificing strength behind the wall or compliance down the line.



### Meet All Project Requirements

No more paging through codes for compatibility or upfront staging. The carrier's universal arms allow contractors to adjust height in the field and assemble with virtually any sink application.

### Set Up Horizontally or Vertically

This is the only carrier on the market with an independent bracket system you can position horizontally or vertically. The intuitive, flexible connection system works with the site's configuration—not the other way around.

### Save Steps with Less Foot Anchors

Cut your install time and costs in half. Instead of four foot anchors, this carrier secures in place with two. The anchors support up to 250 lbs, while limiting floor penetrations and eliminating the need for relegging.

Take the labor out of your next lavatory installation. Specify your next project at [inspec.zurn.com](https://inspec.zurn.com).



🕒 **ZURN TOP-SET® DECK PLATE**

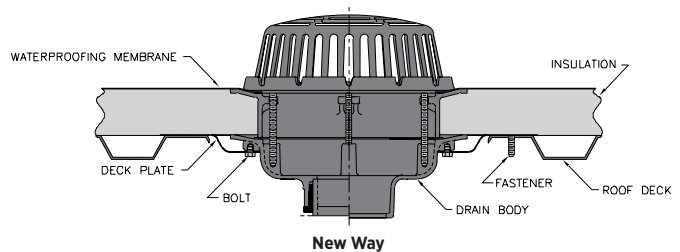
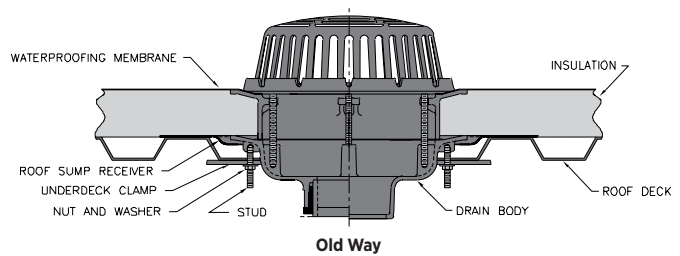
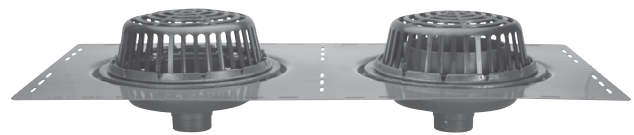
The -DP Option Is Top of Class,  
With a Proven Feature Set That  
Will Save Time and Money

**Labor Saving**

- -DP option features ease of installation for quick job completion
- Entire roof drain assembly installed from topside of roof requiring only pipe connection installation underside roof
- Deck plate replaces the need for separate under deck clamps and roof-sump receivers
- Pipe connection is completed

**Versatility**

- Three size (-DP) for trouble-free fit 8", 12", and 15" diameter drains
- Multiple slot arrangements to accommodate a variety of roof decks
- Constructed of 14-gauge steel with a corrosive-resistant finish



See (-DP) in the roof drain section for ordering information.



## GREEN ROOFING DRAINAGE SOLUTIONS

### It's Easy Being Green

Having proper drainage on a green roof is a critical aspect of the system. If the system is not able to drain properly, it can negatively impact the vegetation due to over-saturation of the soil. As the soil takes on excessive amounts of water, it continues to add weight to the roofing structure. This added load has the potential to compromise the structural integrity of the roof. In order to prevent these situations from occurring, the roof drain must allow adequate flow through the drain at all times.

#### Performance

Stainless steel perforated extension allows for optimal flow into the roof drain while simultaneously keeping debris out.

#### Ease of Maintenance

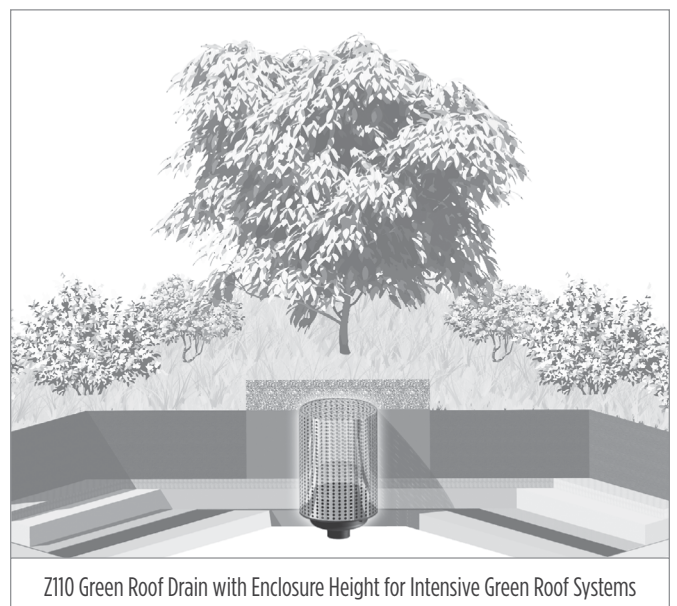
Removable lid allows for easy routine maintenance.

#### Versatility

Customizable enclosures guarantee the roof drain aligns with the green roof surface and offer an aesthetically appealing finish to the roof environment.

#### Flexibility

Simplify the installation process by customizing the order to ship the perforated extension after the drain has been installed



Z110 Green Roof Drain with Enclosure Height for Intensive Green Roof Systems

This symbol denotes a product that is engineered to reduce installation and rework time.

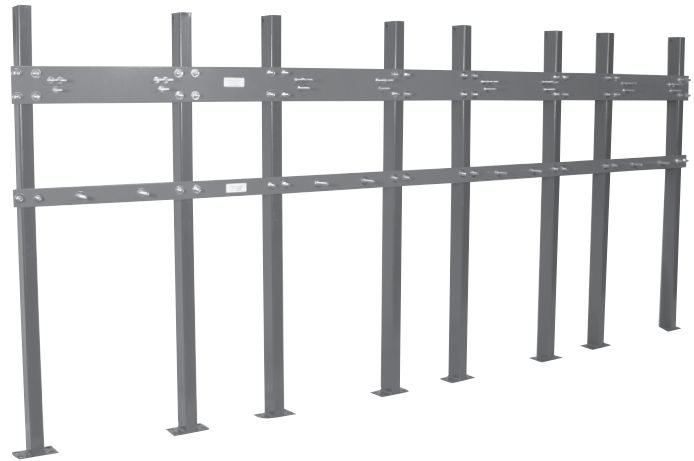
For additional product information, please visit [zurn.com/laborsavings](http://zurn.com/laborsavings) | Patent [zurn.com/patents](http://zurn.com/patents)

See pages 27-29 for ordering information.



⌚ **Z1222-CB CARRIER BANK**

## Designed To Speed Up Your Installation



Multiple station plate system provides an extended length plate fabricated with exact center-to-center locations to accommodate a bank of multiple urinals. Custom-length plates are specific to job requirements and are provided with loose uprights and boxed mounting hardware and studs. Ideally suited for prefabricated applications.

The following information is necessary when specifying the carrier bank:

- Fixture manufacturer, model number, and quantity of fixtures
- Center-to-center spacing of urinals
- Handicap fixture quantity and location (if applicable)
- Wall thickness

Note: Custom carrier banks are available for all Zurn plate type systems.

# CUSTOMER GUIDE INSTRUCTIONS

Each product section in this catalog is introduced by a cover page showing a representation of products. Additional information varies by product section, but generally consists of the following:

<b>APPLICATION INDEX</b>	General guide to the characteristics of the products and their design.
<b>PRODUCT COMPLIANCE</b>	List of standards and approvals that apply.
<b>PRODUCT DESCRIPTIONS</b>	Each product page contains a product photograph, engineering dimensional drawing, engineering specification, pricing chart, available outlet types and sizes, and the appropriate prefix and suffix options.
<b>TECHNICAL DATA</b>	General overview of product characteristics, assemblies, and installation data.

## TYPICAL PRODUCT PAGE NAVIGATION

**Product Heading**

**Product Photo**


**Dimensional Chart**

**Prefix/Model # -  
Material/Finish/Body Type**

**Strainer Designation -  
Size/Type**

**Outlet -  
Size/Type**

**Z415 BODY ASSEMBLY WITH HEEL-PROOF "TYPE B" STRAINER**

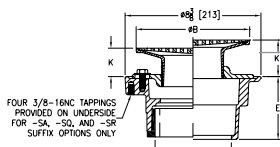


**ENGINEERING SPECIFICATION**

ZURN ZN415B floor and shower drain. Dura-Coated cast iron body with bottom outlet, combination invertible membrane clamp and adjustable collar with seepage holes, and "TYPE B" polished nickel bronze, light-duty strainer.

**NOTES**

For other available strainer variations see Z400 Strainer Series. Add price for required strainer to "BODY ONLY" price in chart. Specify type and size required.



Strainer Designation	Dimensions in Inches (mm)							Str. Open Area (Sq. In. [cm <sup>2</sup> ])	App. Wt. Lbs. (Kg)
	A Pipe Size	B Str. Dia.	K		K'				
			Min.	Max.	Min.	Max.			
-5B	2 [51], 3 [76]	5 [127]		1-1/2 [38]	1-3/32 [27]	2-1/4 [57]	6-1/4 [40]	11 [5]	
-6B	2 [51], 3 [76], 4 [102]	6 [152]	1 [25]	1-25/32 [45]	1-13/32 [36]	2-17/32 [64]	9 [58]	13 [6]	
-7B		7 [178]							1-23/32 [44]
-8B	3 [76], 4 [102]	8 [203]	1-5/32 [29]	2-1/8 [54]	1-3/4 [44]	2-7/8 [73]	19 [122]	16 [7]	
-10B	6 [152]	10 [254]	1-7/16 [37]	2-1/2 [64]	2 [51]	3-1/4 [83]	23 [148]	18 [8]	

PREFIXES	DESCRIPTION	STRAINER DESIG.	PIPE SIZE	LIST PRICE	SUFFIXES	ADD.	
ZN415*	D.C.C.I. Body Assembly with Polished Nickel Bronze Top	-5B	2", 3", 4"	363.00	-AA	All Acid Resisting Epoxy	196.00
		-6B	2", 3", 4"	444.00	-AR	Acid Resisting Epoxy Coated Cast Iron	127.00
		-7B	2", 3", 4"	511.00	-C	Clamp Collar for -90 Side Outlet	112.00
		-8B	3", 4"	640.00	-CP	Chrome-Plated Bronze Top	19.00
		-10B	6"	1,050.00	-DP	Decorative Polished Top	127.00
					-EF	3/8" Extension Frame	223.00
ZB415	D.C.C.I. Body Assembly with Polished Bronze Top	-5B	2", 3", 4"	345.00	-G	Galvanized Cast Iron	148.00
		-6B	2", 3", 4"	401.00	-HD	Heavy-Duty Slotted Grate (ZN 5" and 6" sizes only)	154.00
		-7B	2", 3", 4"	485.00	-OF	Oval Funnel - 6" thru 10" Strainers Only (See Z329-7)	273.00
		-8B	3", 4"	606.00			ZN 316.00
		-10B	6"	1,016.00			
Z415	D.C.C.I. Body Assembly ONLY (add "-L/Top" to product sku)	No Strainer	2", 3", 4"	145.00	-P	Trap Primer Connection (Specify 1/2" or 3/4")	N/C
			6"	555.00	-PC	Protective Cover	47.00
					-SA	Stabilizer Assembly (See Z1035)	-
					-SQ	Stabilizer Q-deck (See Z1035-Q)	-
					-SR	Stabilizer Ring (See Z400-SR)	-
					-TC	Neo-Loc Test Cap Gasket (2" thru 4" Nl. Bottom Outlet Only)	17.00
					-U	1"-3" High Extension Adapter (See Z400-U)	D.C. 104.00 Galv. 229.00
						For each additional 1" above 3"	73.00
					-V	Backwater Valve (Not Available with -Y)	285.00
					-VP	Vandal-Proof Secured Top	42.00
					-W	Winter Closure Plug	273.00
					-Y	Sediment Bucket (Not Available with -V)	81.00
					-4	4" Diameter Funnel	Z 135.00 ZB 273.00 ZN 316.00
					-18	Leveling Ring (See Z400-18)	-
					-90	90° Threaded Side Outlet Body (2" and 3" Only)	164.00

**Engineering Line Drawing**

**Section Marker Tab**

**Suffix -  
Option List**

\*Regularly furnished unless otherwise specified.  
 Ⓞ This symbol denotes a product that is engineered to reduce installation and rework time.

For Additional Product Information, Please Visit [www.zurn.com](http://www.zurn.com)



## ABBREVIATIONS USED IN THIS CUSTOMER GUIDE

<b>A.B.S.</b>	Acrylonitrile Butadiene Styrene
<b>APP.</b>	Approximate
<b>APPROX.</b>	Approximate
<b>A.R.C.</b>	Acid Resisting Epoxy
<b>A.R.E.</b>	Acid Resisting Enamel
<b>AUX.</b>	Auxiliary
<b>BRZ.</b>	Bronze
<b>C.I.</b>	Cast Iron
<b>C.O.</b>	Cleanout
<b>CONN.</b>	Connection
<b>D.C.</b>	Dura-Coated
<b>DIA.</b>	Diameter
<b>DIM.</b>	Dimension
<b>DT</b>	Decorative Top
<b>D.C.C.I.</b>	Dura-Coated Cast Iron

<b>EXT.</b>	Extension
<b>GALV.</b>	Galvanized
<b>GSKT.</b>	Gasket
<b>G.P.M.</b>	Gallons Per Minute
<b>HT.</b>	Height
<b>IN.</b>	Inch
<b>LB</b>	Pounds
<b>LG.</b>	Long
<b>MED.</b>	Medium
<b>N.A.</b>	Not Applicable
<b>N.B.</b>	Nickel Bronze
<b>N/C</b>	No Charge
<b>P.B.</b>	Polished Bronze
<b>PLN.</b>	Plain
<b>POA</b>	Price on Application

<b>POL.</b>	Polished
<b>P.V.C.</b>	Polyvinylchloride
<b>RAD.</b>	Radius
<b>SGL.</b>	Single
<b>SQ. IN.</b>	Square Inches
<b>S.S.</b>	Stainless Steel
<b>STL. ST.</b>	Stainless Steel
<b>STR.</b>	Strainer
<b>THD.</b>	Threaded
<b>V.P.</b>	Vandal-Proof
<b>W/</b>	With
<b>WT.</b>	Weight
<b>XH</b>	Extra Heavy

**NOTE:** Items designated as Best Sellers are most specified and are generally in stock for shipment.

# ROOF DRAINS

ROOF DRAIN - PRODUCT COMPLIANCE	18	<b>Z154</b> 12" SQUARE TOP PROM-DECK DRAIN WITH HEEL-PROOF GRATE AND ROTATABLE FRAME	37
ROOF DRAIN - GENERAL INFORMATION	18	<b>Z158</b> 10" SQUARE TOP PROM-DECK DRAIN WITH HEEL-PROOF GRATE AND ROTATABLE FRAME	38
ROOF DRAIN - APPLICATION INDEX	18	<b>Z160</b> 135° SCUPPER DRAIN	39
<b>Z100F</b> FLOFORCE™ HIGH PERFORMANCE ROOF DRAIN - LOW SILHOUETTE DOME	19	<b>Z161</b> 3" X 10" OBLIQUE SCUPPER DRAIN	39
<b>Z100</b> 15" DIAMETER MAIN ROOF DRAIN WITH LOW SILHOUETTE DOME	20	⌚ <b>Z163</b> 15" DIAMETER COMBINATION MAIN ROOF AND OVERFLOW DRAIN WITH LOW SILHOUETTE DOMES AND DOUBLE TOP-SET® DECK PLATE	40
<b>Z101</b> HIGH CAPACITY 20" DIAMETER MAIN ROOF DRAIN WITH LOW SILHOUETTE DOME	21	⌚ <b>Z164</b> 12" DIAMETER COMBINATION MAIN ROOF AND OVERFLOW DRAIN WITH LOW SILHOUETTE DOMES AND DOUBLE TOP-SET® DECK PLATE	41
<b>100C</b> 15" DIAMETER DEEP SUMP DUAL OUTLET ROOF DRAIN - LOW SILHOUETTE DOME	22	⌚ <b>Z165</b> 8-3/8" DIAMETER COMBINATION MAIN ROOF AND OVERFLOW DRAIN WITH LOW SILHOUETTE DOMES AND DOUBLE TOP-SET® DECK PLATE	42
<b>Z104</b> 15" DIAMETER DEEP SUMP ROOF DRAIN WITH LOW SILHOUETTE DOME	23	<b>Z180</b> 4-1/2" DIAMETER CORNICE DRAIN WITH BOTTOM OUTLET	42
<b>Z105</b> CONTROL-FLO™ ROOF DRAIN WITH PARABOLIC WEIR	24	<b>Z181</b> 6" DIAMETER CORNICE DRAIN WITH BOTTOM OUTLET	43
<b>Z107</b> 20" WIDE DECK FLANGE ROOF DRAIN	25	<b>Z182</b> 4-1/2" DIAMETER CORNICE DRAIN WITH 90° OUTLET	43
<b>Z108</b> 15" DIAMETER DECK RECEPTOR DRAIN	26	<b>Z185</b> 6" DIAMETER CORNICE DRAIN WITH 90° OUTLET	44
<b>Z110</b> 15" GREEN ROOF DRAIN WITH PERFORATED SCREEN ASSEMBLY, AND REMOVABLE COVER WITH LIFT HANDLE	27	<b>Z187</b> 6" X 7" OR 8" X 12" OBLIQUE SCUPPER DRAIN	44
<b>Z110-AI</b> GREEN ROOF DRAIN WITH PERFORATED SCREEN ASSEMBLY, REMOVABLE COVER WITH LIFT HANDLE, AND AUXILIARY INLET	28	<b>Z189</b> 5" X 6" X 11" SCUPPER DRAIN	45
<b>ZF110-S</b> GREEN ROOF BOX - PERFORATED SCREEN ASSEMBLY, REMOVABLE COVER	29	<b>Z190</b> VERTICAL EXPANSION JOINT	45
<b>Z111</b> 12" DIAMETER FLAT DECK ROOF DRAIN FOR METAL DECKS	29	<b>Z191</b> 5" X 4" X 24" DOWNSPOUT BOOT	46
<b>Z121</b> 12" DIAMETER ROOF DRAIN LOW SILHOUETTE DOME	30	<b>Z191-RD</b> 4" X 18" DOWNSPOUT BOOT	46
<b>Z122</b> 12" DIAMETER DECK RECEPTOR DRAIN	31	<b>Z192</b> 4" X 3" DOWNSPOUT BOOT	47
<b>Z125</b> 8-3/8" DIAMETER ROOF DRAIN LOW SILHOUETTE DOME	32	<b>Z193</b> VANDAL-PROOF HOODED VENT CAP	47
<b>Z127</b> 8-1/2" DIAMETER DECK RECEPTOR DRAIN	33	<b>Z195</b> VENT STACK FLASHING SLEEVE	48
⌚ <b>Z130S</b> SIPHONIC PRIMARY ROOF DRAIN	34	<b>Z196</b> VENT STACK FLASHING SLEEVE	48
⌚ <b>Z131S</b> SIPHONIC OVERFLOW ROOF DRAIN	34	<b>Z197</b> RISER SLEEVE	49
<b>Z150F</b> FLOFORCE™ HIGH PERFORMANCE PROMENADE DECK DRAIN WITH ROTATABLE FRAME AND HEEL-PROOF GRATE	35	<b>Z198</b> PARAPET SCUPPER SLEEVE	49
<b>Z150</b> 14" SQUARE TOP PROM-DECK DRAIN WITH HEEL-PROOF GRATE AND ROTATABLE FRAME	36	<b>Z199</b> DOWNSPOUT NOZZLE	50
		<b>ZF199</b> CHAMELEON DOWNSPOUT NOZZLE WITH FLAPPER	51
		<b>Z199-DC</b> DOWNSPOUT COVER	52
		<b>ZF7000</b> FLOW SENSOR	52

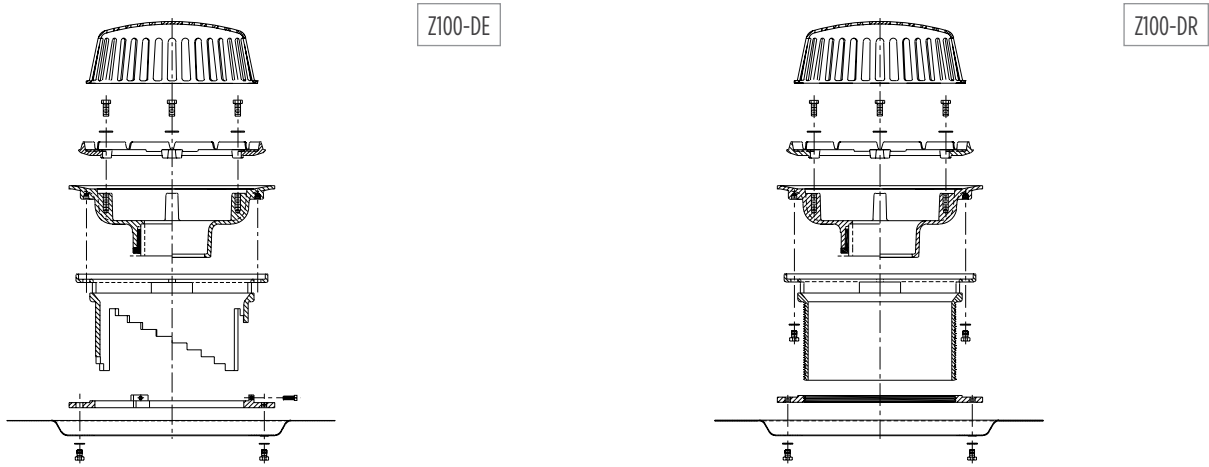
## ROOF DRAIN - PRODUCT COMPLIANCE

Zurn roof drains are constructed of high quality materials and, in general, are designed to meet the requirements of ASME Standard A112.6.4 (revision and redesignation of ANSI A112.21.2M).

For verification of a selected roof drain, contact your local Zurn Sales Representative.

## ROOF DRAIN - GENERAL INFORMATION

Zurn roof drains are comprised of three basic components: a body (sump), a combination membrane flashing clamp/gravel guard, and a dome strainer. Two of Zurn's roof drains are the Z100-DE and Z100-DR, shown below. These illustrate the basic components and options: the adjustable extension -DE (Deck Extension), -DR (Drain Riser), and Top-Set Roof Deck Plate (-DP).



**Note:** Neo-Loc outlets are not recommended for roof drain applications due to the watertight integrity of the Neo-Loc connection to the leader pipe being dependent upon adequate leader pipe support and accurate perpendicularity of leader pipe into Neo-Loc gasket.

## ROOF DRAIN - APPLICATION INDEX

Roof drain selection should be made with a specific type of roof construction in mind. The many types and sizes of drains offered by Zurn, coupled with a wide array of available options, provide you with a roof drain for all applications.

APPLICATION	RECOMMENDED ROOF DRAIN
Main Roof	Z100F, Z100, Z100-90, Z104, Z105, Z107, Z108
High Capacity	Z101
Water Insulated Main Roof	Z100-AW, Z100-W, Z100-89
Green Roof	Z110, Z110-AI
Medium Area	Z111, Z121, Z121-90, Z122
Inverted Membrane Roof Deck	Z100-85, Z121-85, Z125-85
Overflow	Z108, Z122, Z127, Z163, Z164, Z165
Penthouse and Small Area	Z125, Z125-90, Z127
Promenade and Patio	Z150, Z154, Z158
Parapet Scupper	Z160, Z161, Z187, Z189
Canopy and Terrace	Z180, Z181, Z182, Z185
Expansion Joints	Z190
Downspout Boot	Z191, Z191-RD, Z192
Vent Cap	Z193
Flashing Sleeves and Scupper Sleeves	Z195, Z196, Z197, Z198
Downspout Nozzle	Z199, Z199-DC

For additional product information, please visit [www.zurn.com](http://www.zurn.com).

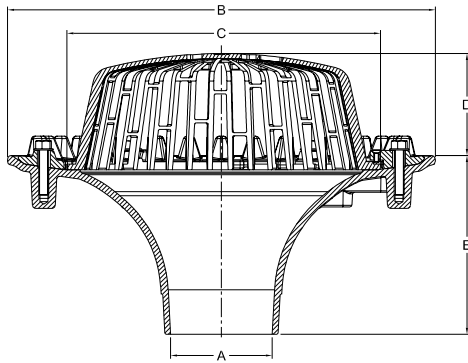
Patent [zurn.com/patents](http://zurn.com/patents)

# Z100F FLOFORCE™ HIGH PERFORMANCE ROOF DRAIN - LOW SILHOUETTE DOME

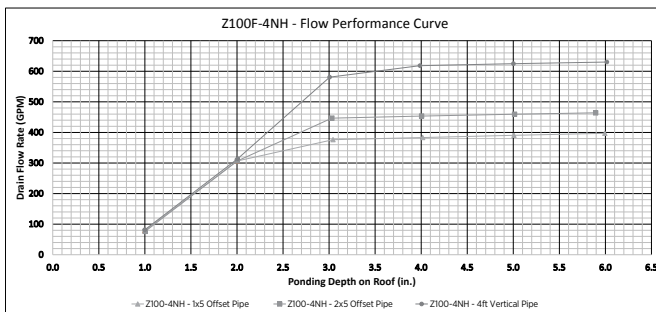


## ENGINEERING SPECIFICATION

FLOFORCE™ High efficient flow performing roof drain that is engineered to evacuate water off of roof structure by incorporating a smooth funnel shaped interior surface, providing a seamless transition to outlet connection and eliminating internal obstructions. Complete with Dura-Coated cast iron body with combination membrane flashing clamp/gravel guard and low silhouette Poly-Dome. Flashing clamp/gravel guard provided to prevent debris from entering the drain while allowing water to immediately pass through at zero head level. Poly-dome designed to maximize effective open area and promote efficient flow. (Refer to [www.zurn.com](http://www.zurn.com) for flow curves)



1x5 Offset Pipe Outlet		2x5 Offset Pipe Outlet		4ft Vertical Pipe Outlet	
Roof Ponding Depth (in.)	Flow Rate (GPM)	Roof Ponding Depth (in.)	Flow Rate (GPM)	Roof Ponding Depth (in.)	Flow Rate (GPM)
1.00	79.31	1.00	76.30	1.00	81.68
2.00	306.65	2.00	306.58	2.01	314.14
3.04	376.36	3.03	446.73	3.01	580.74
4.02	383.20	4.01	453.45	3.99	618.29
5.01	390.66	5.01	459.53	5.00	624.89
5.99	397.10	5.89	464.23	6.02	630.21



A Outlet Size inches [mm]	B Body Diameter In [mm]	C Dome Diameter In [mm]	D Height, Roof to Dome Top In [mm]	Approximate Weight lb [kg]	Dome Open Area sq in [cm <sup>2</sup> ]
2 [51], 3 [76], 4 [102]	16-9/16 [412]	12-5/16 [313]	4 [102]	31 [14]	121 [780]
6 [152], 8 [203]	20-3/32 [510]	15-7/8 [403]	6 [152]	43 [19]	214 [1380]



Shown with -85 Option

**ZURN Z100F-4NH-85** FLOFORCE High Performance Roof Drain, as specified above, with stainless steel perforated extension (-85).



Shown with -89 Option

**ZURN Z100F-4NH-89** FLOFORCE High Performance Roof Drain, as specified above, with 2" high external water dam (-89).

PREFIXES	DESCRIPTION	PIPE SIZE	LIST PRICE
Z100F*	D.C.C.I. Body with Polydome	2", 3", 4"	964.00
		6"	1,381.00
		8"	1,796.00
ZA100F	D.C.C.I. Body with Aluminum Dome	2", 3", 4"	1,304.00
		6"	1,719.00
		8"	2,133.00
ZC100F	D.C.C.I. Body with Cast Iron Dome	2", 3", 4"	1,249.00
		6"	1,666.00
		8"	2,082.00

OUTLETS (SPECIFY PIPE SIZE IN INCHES AND TYPE OF OUTLET)				
OUTLET TYPE		OUTLET DESIGNATION (PIPE SIZE/OUTLET TYPE)	E BODY HT. DIM.	ADD
IC	Inside Caulk	3IC, 4IC	5-13/16"	N/C
IC	Inside Caulk	6IC	6-1/16"	N/C
IP	Threaded	2IP, 3IP, 4IP	5-15/16", 6-3/16", 6-5/16"	114.00
IP	Threaded	6IP, 8IP	6-11/16", 6-3/4"	114.00
NH	No-Hub	2NH, 3NH, 4NH	6-15/16"	N/C
NH	No-Hub	6NH, 8NH	7-7/16"	N/C
NL	Neo-Loc (Not Recommended for Roof Drains)	2NL, 3NL, 4NL	7-3/8"	N/C
NL		6NL	8-1/32"	N/C

SUFFIXES		ADD
-AR	Acid Resistant Epoxy Coated Finish	1,853.00
-C	Underdeck Clamp	336.00
Ⓞ -DP	Top-Set™ Roof Deck Plate (Replaces both -C and -R)	599.00
Ⓞ -DR	Top-Set Adjustable Drain Riser Extension Assembly	D.C.C.I. 1,663.00 Galv. 2,127.00
-E	Static Extension 1" thru 4" (Specify Height)	D.C.C.I. 903.00 Galv. 1,360.00
	For E Extensions Greater than 4" - Per Inch (Specify Height)	D.C.C.I. 219.00 Galv. 334.00
-EA	Adjustable Extension Assembly 2-1/8" thru 3-1/2"	D.C.C.I. 991.00 Galv. 1,467.00
-G	Galvanized Cast Iron	Z100 1,310.00 ZC100 1,860.00
-R	Roof Sump Receiver	374.00
-SC	Secondary Clamp Collar	256.00
Ⓞ -TC	Neo-Loc Test Cap Gasket (2", 3", 4" NL Bottom Outlet Only)	36.00
-VP	Vandal-Proof Secured Top	173.00
-84	Stainless Steel Perforated Gravel Guard 1" thru 4"	1,074.00
	For Each Additional 1" above 4" - Per Inch (Specify Height)	113.00
-85	Stainless Steel Perforated Extension 1" thru 4"	1,059.00
	For Each Additional 1" above 4" up to 20" (Specify Height) * Any Size Greater Than 20" Will Be POA	113.00
-89	2" High Overflow Dam	322.00
-89-3	3" High Overflow Dam	322.00
-89-4	4" High Overflow Dam	322.00

\*Regularly furnished unless otherwise specified.

Items designated as Best Sellers are most specified and are generally in stock for shipment.

Ⓞ This symbol denotes a product that is engineered to reduce installation and rework time.

For additional product information, please visit [www.zurn.com](http://www.zurn.com).

Patent [www.zurn.com/patents](http://www.zurn.com/patents)

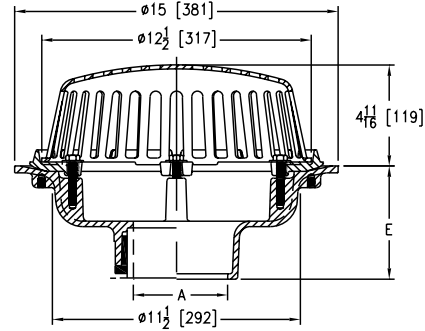
INTRO ROOF DRAINS FLOOR DRAINS T, P, BW VALVES INTERCEPTORS CARRIERS HYDRANTS CLEANOUTS WHA SS DRAINS SAN-FLOOR TECH INFO

# Z100 15" DIAMETER MAIN ROOF DRAIN WITH LOW SILHOUETTE DOME



## ENGINEERING SPECIFICATION

Zurn Z100 15" diameter roof drain features Dura-Coated cast iron body with combination membrane flashing clamp/gravel guard and low silhouette polydome.



A Pipe Size inches [mm]	Dome Open Area sq in [cm <sup>2</sup> ]	Approximate Weight lb [kg]
2 [51], 3 [76], 4 [102]	103 [665]	26 [12]
6 [152]		27 [12]
8 [203]		28 [13]

PREFIXES	DESCRIPTION	PIPE SIZE	LIST PRICE
<b>Z100*</b>	D.C.C.I. Body with Polydome	2", 3", 4"	<b>964.00</b>
		6"	<b>1,381.00</b>
		8"	<b>1,796.00</b>
<b>ZA100</b>	D.C.C.I. Body with Aluminum Dome	2", 3", 4"	<b>1,304.00</b>
		6"	<b>1,719.00</b>
		8"	<b>2,133.00</b>
<b>ZC100</b>	D.C.C.I. Body with Cast Iron Dome	2", 3", 4"	<b>1,249.00</b>
		6"	<b>1,666.00</b>
		8"	<b>2,082.00</b>
<b>ZRB100</b>	D.C.C.I. Body with Plain Bronze Dome	2", 3", 4"	<b>2,085.00</b>
		6"	<b>2,502.00</b>
		8"	<b>2,915.00</b>

OUTLETS (SPECIFY PIPE SIZE IN INCHES AND TYPE OF OUTLET)			
OUTLET TYPE	OUTLET DESIGNATION (PIPE SIZE/OUTLET TYPE)	E BODY HT. DIM.	ADD
<b>IC</b>	Inside Caulk	3IC, 4IC, 6IC	5-1/4" N/C
<b>IP</b>	Threaded	2IP, 3IP, 4IP, 6IP, 8IP	3-3/4" 114.00
<b>NH</b>	No-Hub	2NH, 3NH, 4NH, 6NH, 8NH	5-1/4" N/C
<b>NL</b>	Neo-Loc (Not Recommended for Roof Drains)	2NL, 3NL, 4NL	4-9/16" N/C
		6NL	5-7/16" N/C

BEST SELLERS	LIST PRICE
Z100-3NH	964.00
Z100-3NH-DP	1,563.00
ZC100-3NH-DP	1,848.00
ZC100-3NH-89-DP	2,170.00
Z100-4NH	964.00
Z100-4NH-DP	1,563.00
Z100-4NH-89-DP	1,885.00
ZA100-4NH-DP	1,903.00
ZA100-4NH-DP-EA	2,894.00
ZC100-4NH	1,249.00
ZC100-4NH-DP	1,848.00
ZC100-4NH-89	1,571.00
ZC100-4NH-89-DP	2,170.00
ZC100-4NH-DP-EA	2,839.00
Z100-6NH	1,381.00
Z100-6NH-DP	1,980.00
ZC100-6NH	1,666.00
ZC100-6NH-DP	2,265.00
ZC100-6NH-89-DP	2,587.00
ZC100-6NH-DP-EA	3,256.00

SUFFIXES	ADD
-AC	Angular Underdeck Clamp 670.00
-AR	Acid Resistant Epoxy Coated Finish 1,853.00
-AW	3/4" to 4" Adjustable Water Level Regulator (ZC Only) 1,209.00
	For Each Additional 1" above 4" (Specify Height) 336.00
-C	Underdeck Clamp 336.00
⊕ -DE	Deck Extension (Includes Deck Plate -DP) D.C.C.I. 1,322.00
	Galv. 1,998.00
⊕ -DP	Top-Set® Roof Deck Plate (Replaces both -C and -R) 599.00
⊕ -DR	Top-Set Adjustable Drain Riser Extension D.C.C.I. 1,663.00
	Galv. 2,127.00
-E	Static Extension 1" thru 4" (Specify Height) D.C.C.I. 903.00
	Galv. 1,360.00
	For E Extensions Greater than 4" - Per Inch D.C.C.I. 219.00
	(Specify Height) Galv. 334.00
-EA	Adjustable Extension Assembly 2-1/8" thru D.C.C.I. 991.00
	3-1/2" Galv. 1,467.00
⊕ -EB	Top-Set Adjustable Extension Assembly 903.00
-FG	Flush Grate (Replaces Dome Strainer) 941.00
-G	Galvanized Cast Iron Z100 1,310.00
	ZC100 1,860.00
-HD	6-3/4" High Aluminum Dome Strainer - 148 sq. in. open area (ZA Only) 341.00
-R	Roof Sump Receiver 374.00
-SC	Secondary Clamp Collar 256.00
-SS	Stainless Steel Mesh Screen Over Dome 689.00
-ST	Dome with Solid Top (ZA and ZC Only) 689.00
⊕ -TC	Neo-Loc Test Cap Gasket (2", 3", 4" NL Bottom Outlet Only) 36.00
-VP	Vandal-Proof Secured Top 173.00
-W2	2" Internal Water Dam 576.00
-W3	3" Internal Water Dam 576.00
-W4	4" Internal Water Dam 576.00
-84	Stainless Steel Perforated Gravel Guard 1" thru 4" 1,074.00
	For Each Additional 1" above 4" - Per Inch (Specify Height) 113.00
-85	Stainless Steel Perforated Extension 1" thru 4" 1,059.00
	For Each Additional 1" above 4" up to 20" (Specify Height) * 113.00
	Any Size Greater Than 20" Will Be POA
-89	2" High External Water Dam 322.00
-90	90° Threaded Side Outlet Body (2", 3", 4", 6") 506.00

For additional product information, please visit [www.zurn.com](http://www.zurn.com).  
Patent [zurn.com/patents](http://zurn.com/patents)

\*Regularly furnished unless otherwise specified.

Items designated as Best Sellers are most specified and are generally in stock for shipment.

⊕ This symbol denotes a product that is engineered to reduce installation and rework time.

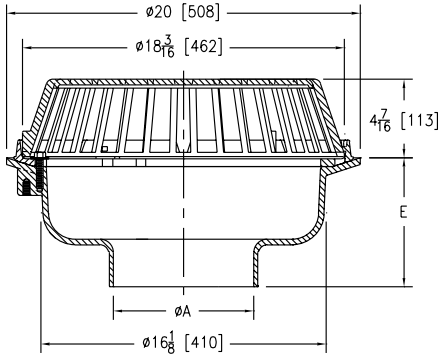
# Z101 HIGH CAPACITY 20" DIAMETER MAIN ROOF DRAIN WITH LOW SILHOUETTE DOME



## ENGINEERING SPECIFICATION

Zurn Z101 20" diameter roof drain features Dura-Coated cast iron body with combination membrane flashing clamp/gravel guard and low silhouette cast iron dome.

A Pipe Size inches [mm]	Dome Open Area sq in [cm <sup>2</sup> ]	Approximate Weight lb [kg]
8 [203]	216 [1394]	77 [35]
10 [254]		78 [35]
12 [305]		79 [36]



PREFIXES	DESCRIPTION	PIPE SIZE	LIST PRICE
Z101*	D.C.C.I. Body with Cast Iron Dome	8"	2,568.00
		10"	2,833.00
		12"	3,036.00

### OUTLETS (SPECIFY PIPE SIZE IN INCHES AND TYPE OF OUTLET)

OUTLET TYPE	OUTLET DESIGNATION (PIPE SIZE/OUTLET TYPE)	E BODY HT. DIM.	ADD	
NH	No-Hub	8NH, 10NH, 12NH	7-5/16"	N/C

### SUFFIXES

SUFFIXES	ADD	
-AR	Acid Resistant Epoxy Coated Finish	2,554.00
-C	Under Deck Clamp	231.00

⌚	-DP	Top Set® Roof Deck Plate (Replaces both -C and -R)	1,050.00
	-E	Static Extension 1" thru 4" (Specify Height)	D.C.C.I. 1,355.00 Galv. 2,045.00
		For E Extensions Greater than 4" - Per Inch (Specify Height)	D.C.C.I. 291.00 Galv. 446.00
⌚	-EB	Top-Set Adjustable Extension Assembly	1,230.00
	-G	Galvanized Cast Iron	1,945.00
	-R	Roof Sump Receiver	374.00
	-W2	2" Internal Water Dam	1,463.00
	-W3	3" Internal Water Dam	1,463.00
	-W4	4" Internal Water Dam	1,463.00
	-89	2" High External Water Dam	931.00

### BEST SELLERS

BEST SELLERS	LIST PRICE
Z101-8NH	2,568.00
Z101-8NH-89	3,499.00
Z101-10NH	2,833.00
Z101-10NH-DP	3,883.00
Z101-10NH-89-DP	4,814.00
Z101-12NH	3,036.00
Z101-12NH-W2	4,499.00

\*Regularly furnished unless otherwise specified.

Items designated as Best Sellers are most specified and are generally in stock for shipment.

⌚ This symbol denotes a product that is engineered to reduce installation and rework time.

For additional product information, please visit [www.zurn.com](http://www.zurn.com).

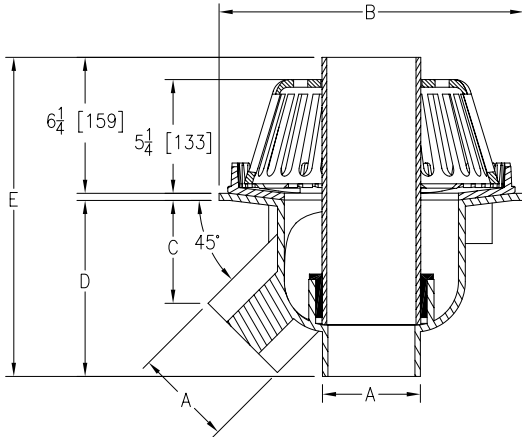
Patent [zurn.com/patents](http://zurn.com/patents)

# 100C 15" DIAMETER DEEP SUMP DUAL OUTLET ROOF DRAIN - LOW SILHOUETTE DOME



## ENGINEERING SPECIFICATION

Bi-functional Froet Drain with 45° primary outlet connection. Powder coated cast iron deep sump body with combination membrane flashing clamp/gravel guard, overflow pipe (2", 3", 4", 5", 6", 8" [51mm, 76mm, 102mm, 127mm, 152mm, 203mm]) with standard 5-1/4" [133mm] high cast iron dome and 6-1/4" [159mm] high cast iron overflow.



PREFIXES	DESCRIPTION	PIPE SIZE	LIST PRICE
<b>100C*</b>	Froet 100C Bi-Functional Deep Sump Dual Outlet Roof Drain	2"	1,202.00
		3"	2,007.00
		4"	2,079.00
		5"	3,465.00
		6"	3,504.00
		8"	9,159.00
SUFFIXES		ADD	
-C	Underdeck Clamp		499.00
-CFW	Control Flow Weir (Not Available for the 2" Size)		937.00
-DP	Deck Mounting Plate (2-1/4" Elevation)		1,083.00
-DU	Cast Iron Dome on Overflow Pipe	2"	744.00
		3"	744.00
		4"	744.00
		5"	829.00
		6"	829.00
		8"	N/C
-E	Static Extensions (2", 4", 6")† (Not Available for the 2" Size)	2"	1,000.00
		4"	1,231.00
		6"	1,570.00
-ER1.5	Elevation Ring (1.5" of Insulation) (Not Available for the 2" Size)		260.00
-ER2	Elevation Ring (2" of Insulation) (Not Available for the 2" Size)		262.00
-LP	Low Profile Dome		N/C
-R	Roof Sump Receiver		717.00
-ULP	Ultra Low Profile Dome (Not Available for the 2" Size)		N/C
-VEP	Vent Pipe		724.00
-84	Stainless Steel Perforated Gravel Guard (Not Available for the 2" Size)		1,754.00
		For Each Additional 1" above 4" - Per Inch (Specify Height)	113.00
BEST SELLERS		LIST PRICE	
100C4		2,079.00	
100C4LP		2,079.00	
100C6LP		3,465.00	

\*Not available on 8" [203] pipe size

Dimensions in inches [mm]					Approximate Weight lb [kg]	Dome Open Area sq in [cm <sup>2</sup> ]
A Pipe Size	B	C	D	E		
2 [51]	10-1/4 [260]	2-13/16 [71]	5 [127]	11-5/8 [295]	21 [6]	48 [310]
3 [76]	14 [356]	4-7/8 [124]	6-7/8 [175]	13-1/2 [343]	47 [21]	90 [581]
4 [102]	14 [356]	4-7/8 [124]	8 [203]	14-5/8 [371]	53 [24]	90 [581]
5 [127]	18 [457]	5-1/2 [140]	10-1/4 [260]	16-7/8 [429]	83 [38]	127 [819]
6 [152]	18 [457]	5-1/2 [140]	11-1/4 [286]	17-7/8 [454]	89 [40]	127 [819]
8 [203]	25 [635]	8-1/4 [210]	13-3/4 [349]	20-3/8 [518]	122 [55]	203 [1310]

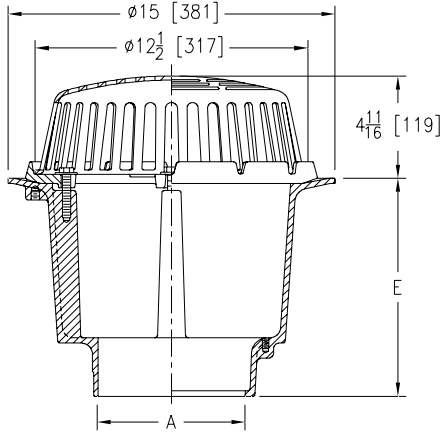
# Z104 15" DIAMETER DEEP SUMP ROOF DRAIN WITH LOW SILHOUETTE DOME



## ENGINEERING SPECIFICATION

Zurn Z104 15" diameter roof drain features Dura-Coated cast iron deep sump body with combination membrane flashing clamp/gravel guard and low silhouette polydome.

A Pipe Size inches [mm]	Dome Open Area sq in [cm <sup>2</sup> ]	Approximate Weight lb [kg]
3 [76], 4 [102]	103 [665]	46 [21]
6 [152], 8 [203]		



PREFIXES	DESCRIPTION	PIPE SIZE	LIST PRICE
<b>Z104*</b>	D.C.C.I. Body with Polydome	3", 4"	<b>3,227.00</b>
		6", 8"	<b>3,701.00</b>
<b>ZA104</b>	D.C.C.I. Body with Aluminum Dome	3", 4"	<b>3,603.00</b>
		6", 8"	<b>4,091.00</b>
<b>ZC104</b>	D.C.C.I. Body with Cast Iron Dome	3", 4"	<b>3,540.00</b>
		6", 8"	<b>4,031.00</b>

OUTLETS (SPECIFY PIPE SIZE IN INCHES AND TYPE OF OUTLET)			
OUTLET TYPE	OUTLET DESIGNATION (PIPE SIZE/OUTLET TYPE)	E BODY HT. DIM.	ADD
<b>NH</b>	No-Hub	3NH, 4NH, 6NH, 8NH	10" <b>N/C</b>
<b>NL</b>	Neo-Loc (Not Recommended for Roof Drains)	3NL, 4NL	9-5/16" <b>N/C</b>

SUFFIXES		ADD
<b>-AC</b>	Angular Underdeck Clamp	<b>670.00</b>
<b>-AR</b>	Acid Resistant Epoxy Coated Finish	<b>1,853.00</b>
<b>-AW</b>	Adjustable Water Level Regulator 3/4" thru 4" (ZC Only)	<b>1,209.00</b>
	For Each Additional 1" above 4" - Per Inch (Specify Height)	<b>334.00</b>
<b>-C</b>	Underdeck Clamp	<b>336.00</b>
<b>-DX</b>	Dex-O-Tex Flange	<b>1,797.00</b>
<b>-E</b>	Static Extension 1" thru 4" (Specify Height)	D.C.C.I. <b>903.00</b>
		Galv. <b>1,360.00</b>
	For E Extensions Greater than 4" - Per Inch (Specify Height)	D.C.C.I. <b>219.00</b>
	Galv. <b>334.00</b>	
<b>-EA</b>	Adjustable Extension Assembly 2-1/8" thru 3-1/2"	D.C.C.I. <b>964.00</b>
		Galv. <b>1,430.00</b>
<b>-FG</b>	Flush Grate (Replaces Dome Strainer)	<b>941.00</b>
<b>-G</b>	Galvanized Cast Iron	Z <b>1,848.00</b>
		ZC <b>2,399.00</b>
<b>-HD</b>	6-3/4" High Aluminum Dome Strainer, 148 sq. in. open area (ZA Only)	<b>341.00</b>
<b>-R</b>	Roof Sump Receiver	<b>374.00</b>
<b>-SC</b>	Secondary Clamping Collar	<b>256.00</b>
<b>-SS</b>	Stainless Steel Mesh Screen Over Dome	<b>689.00</b>
<b>-VP</b>	Vandal-Proof Secured Top	<b>173.00</b>
<b>-W2</b>	2" Internal Water Dam	<b>576.00</b>
<b>-W3</b>	3" Internal Water Dam	<b>576.00</b>
<b>-W4</b>	4" Internal Water Dam	<b>576.00</b>
<b>-84</b>	Stainless Steel Perforated Gravel Guard 1" thru 4"	<b>1,074.00</b>
	For Each Additional 1" above 4" - Per Inch (Specify Height)	<b>113.00</b>
<b>-85</b>	Stainless Steel Perforated Extension 1" thru 4"	<b>1,074.00</b>
	For Each Additional 1" above 4" up to 20" (Specify Height) * Any Size Greater Than 20" Will Be POA	<b>113.00</b>
<b>-89</b>	2" High External Water Dam	<b>322.00</b>

\*Regularly furnished unless otherwise specified.

Items designated as Best Sellers are most specified and are generally in stock for shipment.

⌚ This symbol denotes a product that is engineered to reduce installation and rework time.

For additional product information, please visit [www.zurn.com](http://www.zurn.com).

Patent [zurn.com/patents](http://zurn.com/patents)

INTRO ROOF DRAINS FLOOR DRAINS T, P, BW VALVES INTERCEPTORS CARRIERS HYDRANTS CLEANOUTS WHA SS DRAINS SANI-FLOOR TECH INFO



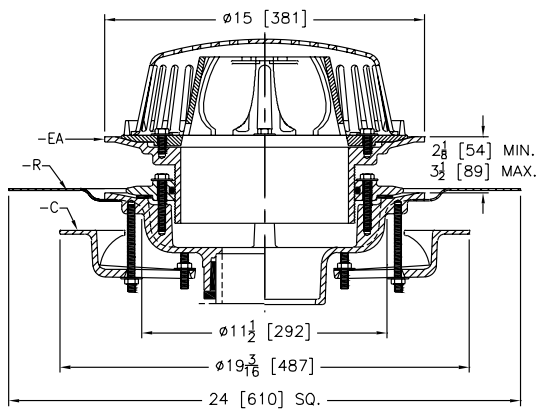
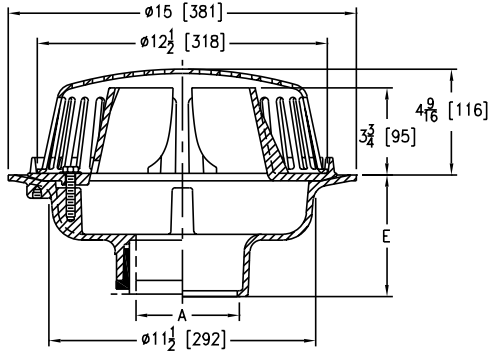
# Z105 CONTROL-FLO™ ROOF DRAIN WITH PARABOLIC WEIR



## ENGINEERING SPECIFICATION

Zurn Z105 15" diameter Control-Flo roof drain for dead-level roof construction features Dura-Coated cast iron body. Control-Flo weir shall be linear functioning with integral membrane flashing clamp/gravel guard and polydome. All data shall be verified proportional to flow rates. Each notch will allow 10 GPM flow per inch of rain water buildup above the drain.

A Pipe Size inches [mm]	Dome Open Area sq in [cm <sup>2</sup> ]	Approximate Weight lb [kg]
2 [51], 3 [76], 4 [102]	103 [665]	34 [15]



Shown with -C-EA-R Options

**ZURN Z105-C-EA-R** Control-Flo Roof Drain for dead-level roof construction. Drain is as specified above, with Dura-Coated steel roof sump receiver (-R), Dura-Coated cast iron underdeck clamp (-C), and Dura-Coated cast iron adjustable extension and clamp ring with neoprene O-Ring seal (-EA).

PREFIXES	DESCRIPTION	PIPE SIZE	LIST PRICE
Z105*	D.C.C.I. Body with Polydome	2", 3", 4"	2,789.00
ZA105	D.C.C.I. Body with Aluminum Dome	2", 3", 4"	3,142.00
ZC105	D.C.C.I. Body with Cast Iron Dome	2", 3", 4"	3,099.00

OUTLETS (SPECIFY PIPE SIZE IN INCHES AND TYPE OF OUTLET)			
OUTLET TYPE	OUTLET DESIGNATION (PIPE SIZE/OUTLET TYPE)	E BODY HT. DIM.	ADD
IC	Inside Caulk	3IC, 4IC	5-1/4" N/C
NH	No-Hub	2NH, 3NH, 4NH	5-1/4" N/C
NL	Neo-Loc (Not Recommended for Roof Drains)	2NL, 3NL, 4NL	4-9/16" N/C

SUFFIXES		ADD
-C	Underdeck Clamp	336.00
Ⓢ -DP	Top-Set® Roof Deck Plate (Replaces both -C and -R)	599.00
-E	Static Extension 1" thru 4" (Specify Height)	D.C.C.I. 903.00 Galv. 1,360.00
	For E Extensions Greater than 4" - Per Inch (Specify Height)	D.C.C.I. 219.00 Galv. 334.00
-EA	Adjustable Extension Assembly 2-1/8" thru 3-1/2"	D.C.C.I. 1,019.00 Galv. 1,467.00
-G	Galvanized Cast Iron	1,217.00
-R	Roof Sump Receiver	374.00
Ⓢ -TC	Neo-Loc Test Cap Gasket (2" thru 4" NL Bottom Outlet Only)	36.00
-VP	Vandal-Proof Secured Top	173.00
-10	6" High Parabolic Weir for Sloped Roof (ZC or ZA)	N/C

BEST SELLERS		LIST PRICE
Z105-3NH		2,789.00
ZC105-3NH		3,099.00
ZC105-4NH-DP		3,698.00

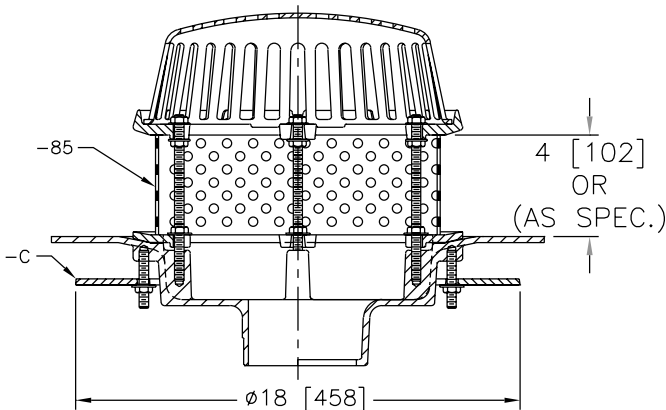
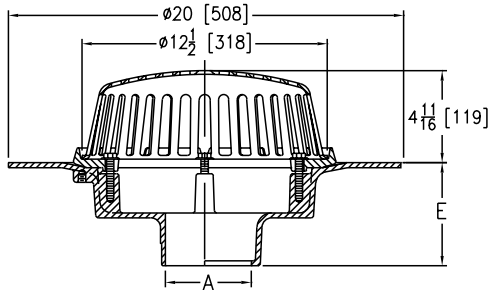
# Z107 20" WIDE DECK FLANGE ROOF DRAIN



## ENGINEERING SPECIFICATION

Zurn Z107 20" diameter wide deck flange roof drain features Dura-Coated cast iron body with combination membrane flashing clamp/gravel guard and low silhouette polydome.

A Pipe Size inches [mm]	Dome Open Area sq in [cm <sup>2</sup> ]	Approximate Weight lb [kg]
3 [76], 4 [102]	103 [665]	39 [18]
6 [152], 8 [203]		



Shown with -C-85 Options

**ZURN Z107-C-85** 20" diameter Wide Deck Flange Roof Drain, as specified above, with perforated extension with flat clamp collar (-85), and Dura-Coated cast iron underdeck clamp (-C).

\*Regularly furnished unless otherwise specified.  
 Items designated as Best Sellers are most specified and are generally in stock for shipment.  
 ⌚ This symbol denotes a product that is engineered to reduce installation and rework time.

PREFIXES	DESCRIPTION	PIPE SIZE	LIST PRICE
<b>Z107*</b>	D.C.C.I. Body with Polydome	3", 4"	2,926.00
		6", 8"	3,358.00
<b>ZA107</b>	D.C.C.I. Body with Aluminum Dome	3", 4"	3,274.00
		6", 8"	3,711.00
<b>ZC107</b>	D.C.C.I. Body with Cast Iron Dome	3", 4"	3,212.00
		6", 8"	3,654.00

OUTLETS (SPECIFY PIPE SIZE IN INCHES AND TYPE OF OUTLET)			
OUTLET TYPE	OUTLET DESIGNATION (PIPE SIZE/OUTLET TYPE)	E BODY HT. DIM.	ADD
<b>IC</b>	Inside Caulk	3IC, 4IC, 6IC	5-1/4" N/C
<b>IP</b>	Threaded	3IP, 4IP	5-1/4" 114.00
<b>NH</b>	No-Hub	3NH, 4NH, 6NH, 8NH	5-1/4" N/C

SUFFIXES			
SUFFIXES	DESCRIPTION		ADD
<b>-AC</b>	Angular Underdeck Clamp		670.00
<b>-AR</b>	Acid Resistant Epoxy Coated Finish		1,853.00
<b>-AW</b>	Adjustable Water Level Regulator 3/4" thru 4" (ZC Only) For Each Additional 1" above 4" - Per Inch (Specify Height)		1,209.00
			334.00
<b>-C</b>	Underdeck Clamp		336.00
<b>-E</b>	Static Extension 1" thru 4" (Specify Height)	D.C.C.I.	903.00
		Galv.	1,360.00
		D.C.C.I.	219.00
	For E Extensions Greater than 4" - Per Inch (Specify Height)	Galv.	334.00
<b>-EA</b>	Adjustable Extension Assembly 2-1/8" thru 3-1/2"	D.C.C.I.	964.00
		Galv.	1,430.00
<b>-FG</b>	Flush Grate (Replaces Dome Strainer)		941.00
<b>-G</b>	Galvanized Cast Iron		1,310.00
<b>-SS</b>	Stainless Steel Mesh Screen Over Dome		689.00
<b>-VP</b>	Vandal-Proof Secured Top		173.00
<b>-W2</b>	2" Internal Water Dam		576.00
<b>-W3</b>	3" Internal Water Dam		576.00
<b>-W4</b>	4" Internal Water Dam		576.00
<b>-84</b>	Stainless Steel Perforated Gravel Guard 1" thru 4" For Each Additional 1" above 4" - Per Inch (Specify Height)		1,074.00
			113.00
<b>-85</b>	Stainless Steel Perforated Extension 1" thru 4" For Each Additional 1" above 4" up to 20" (Specify Height) * Any Size Greater Than 20" Will Be POA		1,074.00
			113.00
<b>-89</b>	2" High External Water Dam		322.00

BEST SELLERS	LIST PRICE
Z107-3NH	2,926.00
Z107-3NH-FG	3,867.00

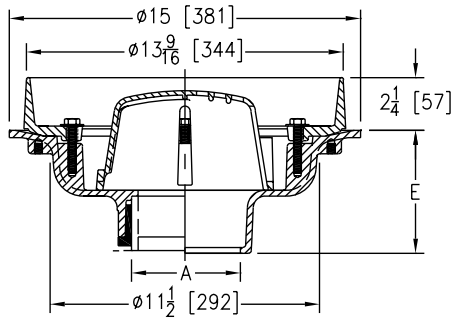
# Z108 15" DIAMETER DECK RECEPTOR DRAIN



## ENGINEERING SPECIFICATION

Zurn Z108 15" diameter roof drain features Dura-Coated cast iron body with combination membrane flashing clamp, deck receptor frame, and internal bottom dome strainer.

A Pipe Size inches [mm]	Dome Open Area sq in [cm <sup>2</sup> ]	Approximate Weight lb [kg]
2 [51], 3 [76], 4 [102]	53 [342]	41 [19]
6 [152]		39 [18]
8 [203]		42 [19]



PREFIXES	DESCRIPTION	PIPE SIZE	LIST PRICE
Z108*	D.C.C.I. Body with Collar	2", 3", 4"	1,283.00
		6"	1,716.00
		8"	2,108.00

OUTLETS (SPECIFY PIPE SIZE IN INCHES AND TYPE OF OUTLET)				
OUTLET TYPE	OUTLET DESIGNATION (PIPE SIZE/OUTLET TYPE)	E BODY HT. DIM.	ADD	
IC	Inside Caulk	3IC, 4IC, 6IC	5-1/4"	N/C
IP	Threaded	2IP, 3IP, 4IP, 6IP, 8IP	3-3/4"	114.00
NH	No-Hub	2NH, 3NH, 4NH, 6NH, 8NH	5-1/4"	N/C
NL	Neo-Loc (Not Recommended for Roof Drains)	2NL, 3NL, 4NL	4-9/16"	N/C

SUFFIXES			ADD
-AR	Acid Resistant Epoxy Coated Finish		1,853.00
-C	Underdeck Clamp		336.00
Ⓢ -DE	Deck Extension	D.C.C.I.	963.00
		Galv.	1,428.00
Ⓢ -DP	Top-Set® Roof Deck Plate (Replaces Both -C and -R)	D.C.C.I.	599.00
		Galv.	903.00
-E	Static Extension 1" thru 4" (Specify Height)	D.C.C.I.	903.00
		Galv.	1,360.00
		For E Extensions Greater than 4" - Per Inch (Specify Height)	D.C.C.I.
		Galv.	334.00
-EA	Adjustable Extension Assembly 2-1/8" thru 3-1/2"	D.C.C.I.	1,019.00
		Galv.	1,454.00
-FG	Flush Grate (Replaces Dome Strainer)		1,127.00
-G	Galvanized Cast Iron		1,217.00
-HD	6-3/4" High Aluminum Dome Strainer (61 Sq. In. Open Area)		N/C
-R	Roof Sump Receiver		374.00
Ⓢ -TC	Neo-Loc Test Cap Gasket (2", 3", 4" NL Bottom Outlet Only)		36.00

BEST SELLER	LIST PRICE
Z108-3NH	1,283.00

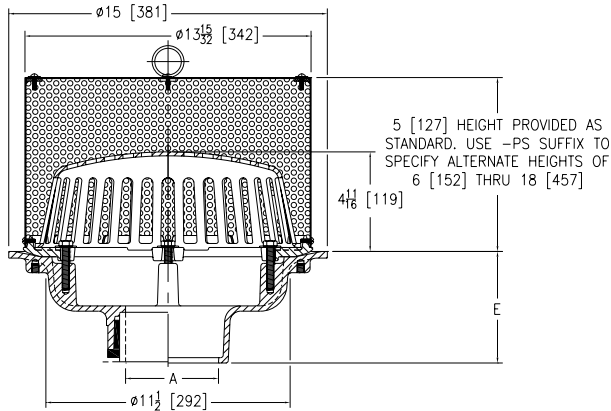
# Z110 15" GREEN ROOF DRAIN WITH PERFORATED SCREEN ASSEMBLY, AND REMOVABLE COVER WITH LIFT HANDLE



## ENGINEERING SPECIFICATION

Zurn Z110 15" green roof drain features Dura-Coated cast iron body with combination membrane flashing clamp/gravel guard and low silhouette polydome. Complete with secured Type 304 (CF8) stainless steel, perforated screen assembly with secured, removable access cover with lift handle.

A Pipe Size inches [mm]	Dome Open Area sq in [cm <sup>2</sup> ]	Approximate Weight lb [kg]
2 [51], 3 [76], 4 [102]	103 [665]	30 [14]
6 [152]		32 [15]
8 [203]		33 [15]



PREFIXES	DESCRIPTION	PIPE SIZE	LIST PRICE
Z110*	D.C.C.I. Body with Polydome	2", 3", 4", 6", 8"	POA
ZA110	D.C.C.I. Body with Aluminum Dome	2", 3", 4", 6", 8"	POA
ZC110	D.C.C.I. Body with Cast Iron Dome	2", 3", 4", 6", 8"	POA

OUTLETS (SPECIFY PIPE SIZE IN INCHES AND TYPE OF OUTLET)				
OUTLET TYPE		OUTLET DESIGNATION (PIPE SIZE/OUTLET TYPE)	E BODY HT. DIM.	ADD
IC	Inside Caulk	3IC, 4IC, 6IC	5-1/4"	N/C
IP	Threaded	3IP, 4IP, 6IP, 8IP	3-3/4"	114.00
NH	No-Hub	2NH, 3NH, 4NH, 6NH, 8NH	5-1/4"	N/C
NL	Neo-Loc (Not Recommended for Roof Drains)	2NL, 3NL, 4NL, 6NL	4-9/16" 5-7/16"	N/C N/C

SUFFIXES		ADD
-AC	Angular Underdeck Clamp	670.00
-AR	Acid Resistant Epoxy Coated Finish	1,853.00
-C	Underdeck Clamp	336.00
Ⓢ -DE	Deck Extension (Includes Deck Plate -DP)	D.C.C.I. 1,322.00 Galv. 1,998.00
Ⓢ -DP	Top-Set® Roof Deck Plate (Replaces Both the -C and -R)	599.00
-E	Static Extension 1" thru 4" (Specify Height)	D.C.C.I. 903.00 Galv. 1,360.00
	For E Extensions Greater than 4" - Per Inch (Specify Height)	D.C.C.I. 219.00 Galv. 334.00
-EA	Adjustable Extension Assembly 2-1/8" thru 3-1/2"	D.C.C.I. 991.00 Galv. 1,467.00
Ⓢ -EB	Top-Set Adjustable Extension Assembly	903.00
-G	Galvanized Cast Iron	Z110 1,310.00 ZC110 1,860.00
-PS	Perforated Screen 6" thru 18" (Specify Height)	POA
-R	Roof Sump Receiver	374.00
-ST	Dome with Solid Top (ZA and ZC Only)	713.00
Ⓢ -TC	Neo-Loc Test Cap Gasket (2", 3", 4" NL Bottom Outlet Only)	36.00
-VP	Vandal-Proof Secured Screen Cover	173.00
-W2	2" Internal Water Dam	576.00
-W3	3" Internal Water Dam	576.00
-W4	4" Internal Water Dam	576.00
-85	Stainless Steel Perforated Extension 1" thru 4"	1,059.00
	For Each Additional 1" above 4" up to 20" (Specify Height) *	113.00
	Any Size Greater Than 20" Will Be POA	

BEST SELLERS	LIST PRICE
Z110-2NH-PS=5	POA
Z110-3NH-PS=5	POA
Z110-3NL-PS=5	POA
Z110-4NH-PS=5	POA
Z110-4NL-PS=5	POA
Z110-6NH-PS=5	POA
Z110-6NL-PS=5	POA
Z110-6NL-PS=5	POA

\*Regularly furnished unless otherwise specified.

Items designated as Best Sellers are most specified and are generally in stock for shipment.

Ⓢ This symbol denotes a product that is engineered to reduce installation and rework time.

For additional product information, please visit [www.zurn.com](http://www.zurn.com).

Patent [zurn.com/patents](http://zurn.com/patents)

INTRO ROOF DRAINS FLOOR DRAINS I.P. BW VALVES INTERCEPTORS CARRIERS HYDRANTS CLEANOUTS WHA SS DRAINS SANI-FLOOR TECH INFO

# Z110-AI GREEN ROOF DRAIN WITH PERFORATED SCREEN ASSEMBLY, REMOVABLE COVER WITH LIFT HANDLE, AND AUXILIARY INLET



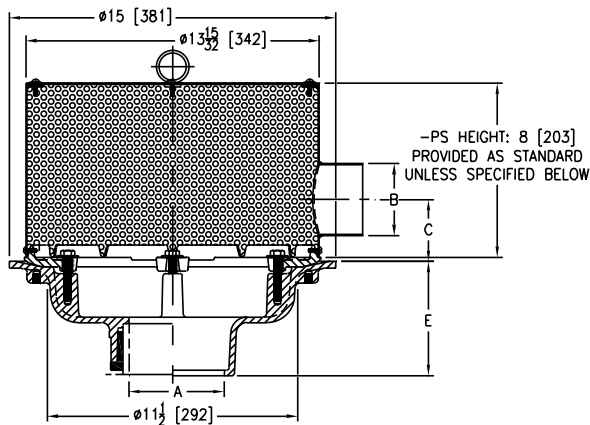
## ENGINEERING SPECIFICATION

Zurn Z110-AI green roof drain features Dura-Coated cast iron body with combination membrane flashing and clamp/gravel guard. Complete with secured Type 304 (CF8) stainless steel, perforated screen assembly with secured, removable access cover with lift handle and auxiliary no-hub inlet connection.

## NOTES

Auxiliary inlet sizes are only available as configured below. Auxiliary inlet size 'B' cannot exceed pipe size 'A'.

Dimensions in inches [mm]			Approximate Weight lb [kg]
A	B	C	
2 [51]	2 [51]	2-11/32 [60]	32 [15]
3 [76]	2 [51]	2-11/32 [60]	33 [15]
	3 [76]	2-27/32 [72]	
4 [102], 6 [152], 8 [203]	2 [51]	2-11/32 [60]	34 [15]
	3 [76]	2-27/32 [72]	
	4 [102]	3-3/8 [86]	



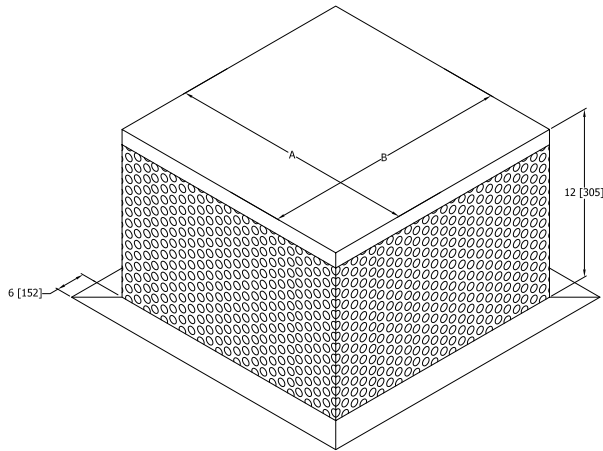
PREFIXES	DESCRIPTION	A PIPE SIZE	B AUX. INLET	LIST PRICE
<b>Z110</b>	D.C.C.I. with Type 304 Perforated Stainless Steel Screen Assembly	2"	2"	<b>Combine with Product Designation for Pricing</b>
		3"	2", 3"	
		4", 6", 8"	2", 3", 4"	
PRODUCT DESIGNATION		B AUX. INLET	C DIM.	LIST PRICE
<b>-2AI</b>	2" Auxiliary Inlet	2"	2-11/32"	<b>POA</b>
<b>-3AI</b>	3" Auxiliary Inlet	3"	2-27/32"	<b>POA</b>
<b>-4AI</b>	4" Auxiliary Inlet	4"	3-3/8"	<b>POA</b>
OUTLETS (SPECIFY PIPE SIZE IN INCHES AND TYPE OF OUTLET)				
OUTLET TYPE	OUTLET DESIGNATION (PIPE SIZE/OUTLET TYPE)	E BODY HT. DIM.	ADD	
<b>IC</b>	Inside Caulk	3IC, 4IC, 6IC	5-1/4"	<b>N/C</b>
<b>IP</b>	Threaded	2IP, 3IP, 4IP, 6IP, 8IP	3-3/4"	<b>114.00</b>
<b>NH</b>	No-Hub	2NH, 3NH, 4NH, 6NH, 8NH	5-1/4"	<b>N/C</b>
<b>NL</b>	Neo-Loc (Not Recommended for Roof Drains)	2NL, 3NL, 4NL	4-9/16"	<b>N/C</b>
		6NL	5-7/16"	<b>N/C</b>
SUFFIXES				ADD
<b>-AC</b>	Angular Underdeck Clamp			<b>670.00</b>
<b>-AR</b>	Acid Resistant Epoxy Coated Finish			<b>1,853.00</b>
<b>-C</b>	Underdeck Clamp			<b>336.00</b>
Ⓢ <b>-DE</b>	Deck Extension (Includes Deck Plate -DP)	D.C.C.I.		<b>1,322.00</b>
		Galv.		<b>1,998.00</b>
Ⓢ <b>-DP</b>	Top-Set® Roof Deck Plate (Replaces both the -C and -R)			<b>599.00</b>
Ⓢ <b>-DR</b>	Top-Set Drain Riser	D.C.C.I.		<b>1,663.00</b>
		Galv.		<b>2,127.00</b>
<b>-E</b>	Static Extension 1" thru 4" (Specify Height)	D.C.C.I.		<b>903.00</b>
		Galv.		<b>1,360.00</b>
	For E Extensions Greater than 4" - Per Inch (Specify Height)	D.C.C.I.		<b>219.00</b>
		Galv.		<b>334.00</b>
<b>-EA</b>	Adjustable Extension Assembly 2-1/8" thru 3-1/2"	D.C.C.I.		<b>991.00</b>
		Galv.		<b>1,467.00</b>
Ⓢ <b>-EB</b>	Top-Set Adjustable Extension Assembly			<b>903.00</b>
<b>-G</b>	Galvanized Cast Iron			<b>1,310.00</b>
<b>-PS</b>	Perforated Screen 9" thru 18" (Specify Height)			<b>POA</b>
<b>-R</b>	Roof Sump Receiver			<b>374.00</b>
Ⓢ <b>-TC</b>	Neo-Loc Test Cap Gasket (2", 3", 4" NL Bottom Outlet Only)			<b>36.00</b>
<b>-VP</b>	Vandal-Proof Secured Screen Cover			<b>173.00</b>

## ZF110-S GREEN ROOF BOX - PERFORATED SCREEN ASSEMBLY, REMOVABLE COVER



### ENGINEERING SPECIFICATION

Zurn green roof drain box comes standard with solid stainless steel top and stainless steel non-adjustable square sump box with vertical perforated sides to allow for proper drainage in green roof applications.



Part Number	A inches [mm]	B inches [mm]	Product Weight lb [kg]
ZF110-S 3/4	16 [406]	16 [406]	18 [8]
ZF110-S 5/6	20 [508]	20 [508]	27 [12]
ZF110-S 8	28 [711]	28 [711]	39 [18]

PREFIXES	DESCRIPTION	SIZE	A' DIM. SQ.	LIST PRICE
ZF110-S	Fabricated Type 304 Stainless Steel Green Roof Box*	3/4	16"	10,231.00
		5/6	20"	11,368.00
		8	28"	13,655.00
SUFFIXES				ADD
-GTA	Light Duty Heel-Proof Grate Aluminum	3/4		1,586.00
		5/6		1,494.00
		8		3,985.00
-GTS	Light Duty Heel-Proof Grate Stainless			POA
-H2	Double Height 24" [610mm]			POA
-H3	Triple Height 36" [914mm]			POA

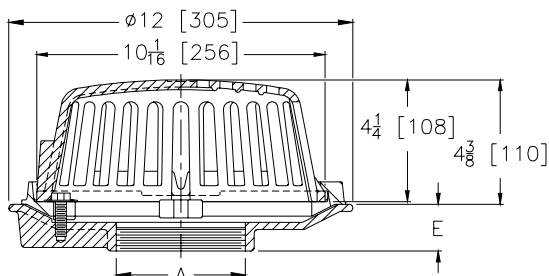
## Z111 12" DIAMETER FLAT DECK ROOF DRAIN FOR METAL DECKS



### ENGINEERING SPECIFICATION

Zurn Z111 12" diameter flat deck roof drain for metal decks features Dura-Coated cast iron body with combination membrane flashing clamp/ gravel guard and low silhouette cast iron dome.

A Pipe Size inches [mm]	Dome Open Area sq in [cm <sup>2</sup> ]	Approximate Weight lb [kg]
3 [76], 4 [102]	78 [503]	22 [10]
6 [152]		24 [11]



PREFIXES	DESCRIPTION	PIPE SIZE	LIST PRICE
Z111*	D.C.I. Body with 4-1/4" Dome	4"	1,242.00
		6"	2,152.00
OUTLETS (SPECIFY PIPE SIZE IN INCHES AND TYPE OF OUTLET)			
OUTLET TYPE	OUTLET DESIGNATION (PIPE SIZE/OUTLET TYPE)	E BODY HT. DIM.	ADD
IP	Threaded	4IP	N/C
		6IP	N/C
SUFFIXES			
			ADD
-C	Underdeck Clamp		207.00
-FG	Flush Grate (Z only)		474.00
-G	Galvanized Cast Iron		540.00
-R	Roof Sump Receiver		355.00
-SS	Stainless Mesh Screen Over Dome		639.00
-VP	Vandal-Proof Secured Top		162.00

\*Regularly furnished unless otherwise specified.

Items designated as Best Sellers are most specified and are generally in stock for shipment.

⌚ This symbol denotes a product that is engineered to reduce installation and rework time.

For additional product information, please visit [www.zurn.com](http://www.zurn.com).

Patent [zurn.com/patents](http://zurn.com/patents)

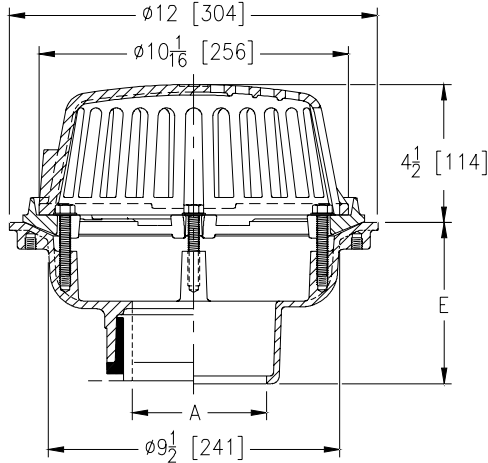
## Z121 12" DIAMETER ROOF DRAIN LOW SILHOUETTE DOME



### ENGINEERING SPECIFICATION

Zurn Z121 12" diameter roof drain features Dura-Coated Cast Iron body with combination membrane flashing clamp/gravel guard and low silhouette polydome.

A Pipe Size inches [mm]	Dome Open Area sq in [cm <sup>2</sup> ]	Approximate Weight lb [kg]
2 [51], 3 [76], 4 [102], 6 [152]	78 [503]	22 [10]



PREFIXES	DESCRIPTION	PIPE SIZE	LIST PRICE
Z121*	D.C.C.I. Body with 4-1/4" Polydome	2", 3", 4", 6"	857.00
ZA121	D.C.C.I. Body with 6-9/16" Aluminum Dome	2", 3", 4", 6"	1,100.00
ZC121	D.C.C.I. Body with Low-Silhouette Cast Iron Dome	2", 3", 4", 6"	1,073.00

OUTLETS (SPECIFY PIPE SIZE IN INCHES AND TYPE OF OUTLET)				
OUTLET TYPE		OUTLET DESIGNATION (PIPE SIZE/OUTLET TYPE)	E BODY HT. DIM.	ADD
IC	Inside Caulk	2IC, 3IC, 4IC, 6IC	5-1/4"	N/C
IP	Threaded	2IP, 3IP, 4IP, 6IP	3-3/4"	114.00
NH	No-Hub	2NH, 3NH, 4NH, 6NH	5-1/4"	N/C
NL	Neo-Loc (Not Recommended for Roof Drains)	2NL, 3NL, 4NL	4-5/8"	N/C

SUFFIXES		ADD
-AR	Acid Resistant Epoxy Coated Finish	1,390.00
-C	Underdeck Clamp	207.00
-DB	Deep Sump Body (IC Only)	613.00
Ⓢ -DP	Top-Set® Roof Deck Plate (Replaces both -C and -R)	467.00
-E	Static Extension 1" thru 4"	D.C.C.I. 473.00 Galv. 897.00
	For Each Additional 1" above 4" - Per Inch (Specify Height)	D.C.C.I. 239.00 Galv. 449.00
Ⓢ -EB	Top-Set Adjustable Extension Assembly	691.00
-FG	Flush Grate	474.00
-G	Galvanized Cast Iron	540.00
-R	Roof Sump Receiver	355.00
-SC	Secondary Clamping Collar	255.00
-SS	Stainless Steel Mesh Screen Over Dome	639.00
Ⓢ -TC	Neo-Loc Test Cap Gasket (2", 3", 4" NL Bottom Outlet Only)	36.00
-VP	Vandal-Proof Secured Top	162.00
-XJ	Vertical Expansion Joint (See Z190) (Use with IP Outlets Only)	-
-84	Stainless Steel Perforated Gravel Guard 1" thru 4"	857.00
	For Each Additional 1" above 4" - Per Inch (Specify Height)	101.00
-85	Stainless Steel Perforated Extension 1" thru 4"	857.00
	For Each Additional 1" above 4" up to 20" (Specify Height) * Any Size Greater Than 20" Will Be POA	101.00
-89	2" High External Water Dam	269.00
-90	90° Threaded Side Outlet Body - 2", 3", 4"	219.00

BEST SELLERS	LIST PRICE
Z121-3NH	857.00
Z121-3NH-89	1,126.00
Z121-3IP-90	1,190.00
Z121-3NH-DP	1,324.00
Z121-3NH-SS	1,496.00
ZC121-3NH	1,073.00
Z121-3NL-FG	1,331.00
Z121-4NH	857.00
ZC121-4NH	1,073.00
Z121-4NH-89	1,126.00
Z121-4NH-89-DP	1,593.00
Z121-4NH-C	1,064.00
Z121-4NH-DP	1,324.00
Z121-4NL-89-R	1,481.00
Z121-4NL-R	1,212.00
ZA121-4NH	1,100.00
Z121-6NH	857.00
Z121-6NH-89	1,126.00
Z121-6NH-DP	1,324.00
ZC121-6NH	1,073.00

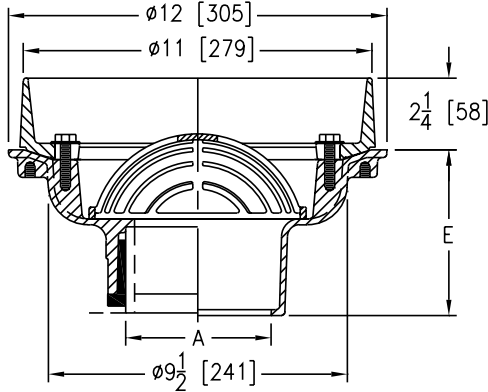
# Z122 12" DIAMETER DECK RECEPTOR DRAIN



## ENGINEERING SPECIFICATION

Zurn Z122 12" diameter deck receptor drain features Dura-Coated cast iron body with combination membrane flashing clamp/deck receptor frame and internal dome strainer.

A Pipe Size inches [mm]	Approximate Weight lb [kg]
2 [51], 3 [76], 4 [102], 6 [152]	29 [13]



PREFIXES	DESCRIPTION	PIPE SIZE	LIST PRICE
Z122*	D.C.C.I. Body with Collar	2", 3", 4", 6"	984.00

### OUTLETS (SPECIFY PIPE SIZE IN INCHES AND TYPE OF OUTLET)

OUTLET TYPE	OUTLET DESIGNATION (PIPE SIZE/OUTLET TYPE)	E BODY HT. DIM.	ADD
NH	No-Hub	2NH, 3NH, 4NH, 6NH	5-1/4" N/C
NL	Neo-Loc (Not Recommended for Roof Drains)	2NL, 3NL, 4NL	4-5/8" N/C

### SUFFIXES

SUFFIXES	ADD
-AR	Acid Resistant Epoxy Coated Finish 1,390.00
-C	Underdeck Clamp 207.00
Ⓢ -DP	Top-Set® Roof Deck Plate (Replaces both -C and -R) 467.00
-E	2" High Static Extension D.C.C.I. 236.00
	Galv. 449.00
	For Each Additional 1" above 2" - D.C.C.I. 122.00
	Per Inch (Specify Height) Galv. 228.00
Ⓢ -EB	Top-Set Adjustable Extension Assembly 691.00
-G	Galvanized Cast Iron 236.00
-HD	High Dome 137.00
-R	Roof Sump Receiver 355.00
Ⓢ -TC	Neo-Loc Test Cap Gasket (2" thru 4" NL Bottom Outlet Only) 36.00

### BEST SELLERS

	LIST PRICE
Z122-2NH-C-R	1,546.00
Z122-4NH	984.00

\*Regularly furnished unless otherwise specified.

Items designated as Best Sellers are most specified and are generally in stock for shipment.

Ⓢ This symbol denotes a product that is engineered to reduce installation and rework time.

For additional product information, please visit [www.zurn.com](http://www.zurn.com).

Patent [zurn.com/patents](http://zurn.com/patents)



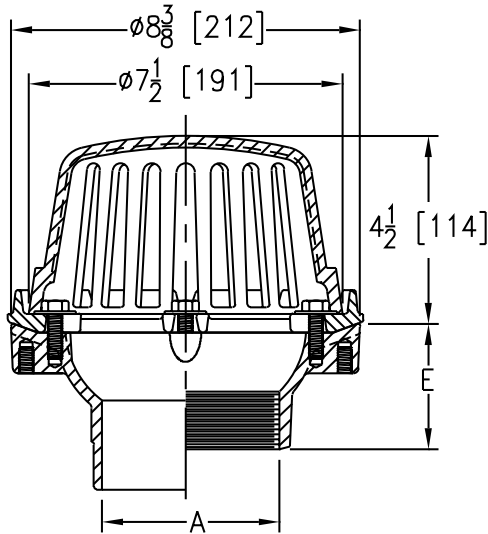
## Z125 8-3/8" DIAMETER ROOF DRAIN LOW SILHOUETTE DOME



### ENGINEERING SPECIFICATION

Zurn Z125 8-3/8" diameter roof drain features Dura-Coated cast iron body with combination flashing clamp/gravel guard and low silhouette polydome.

A Pipe Size inches [mm]	Dome Open Area sq in [cm <sup>2</sup> ]	Approximate Weight lb [kg]
2 [51], 3 [76], 4 [102]	43 [277]	14 [6]



PREFIXES	DESCRIPTION	PIPE SIZE	LIST PRICE
Z125*	D.C.C.I. Body with 4-1/4" Poly Dome	2", 3", 4"	728.00
ZA125	D.C.C.I. Body with 4-1/4" Aluminum Dome	2", 3", 4"	964.00
ZC125	D.C.C.I. Body with Low Silhouette Cast Iron Dome	2", 3", 4"	857.00

OUTLETS (SPECIFY PIPE SIZE IN INCHES AND TYPE OF OUTLET)				
OUTLET TYPE		OUTLET DESIGNATION (PIPE SIZE/OUTLET TYPE)	E BODY HT. DIM.	ADD
IC	Inside Caulk	2IC, 3IC, 4IC	3-7/8"	N/C
IP	Threaded	2IP	2-7/16"	114.00
		3IP	2-3/4"	114.00
		4IP	3"	114.00
NH	No-Hub	2NH, 3NH, 4NH	4"	N/C
NL	Neo-Loc (Not Recommended for Roof Drains)	2NL, 3NL, 4NL	3-13/16"	N/C

SUFFIXES		ADD	
-AR	Acid Resistant Epoxy Coated Finish	1,046.00	
-C	Underdeck Clamp	207.00	
Ⓞ -DP	Top-Set® Roof Deck Plate (Replaces -C and -R)	467.00	
-E	Static Extension 1" thru 4"	D.C.C.I.	473.00
		Galv.	897.00
	For Each Additional 1" above 4" - Per Inch (Specify Height)	D.C.C.I.	239.00
		Galv.	449.00
Ⓞ -EB	Top-Set Adjustable Extension Assembly	691.00	
-FG	Flush Grate (Replaces Dome Strainer)	347.00	
-G	Galvanized Cast Iron	276.00	
-R	Roof Sump Receiver	355.00	
-SC	Secondary Clamping Collar	269.00	
-SS	Stainless Steel Mesh Screen Over Dome	482.00	
Ⓞ -TC	Neo-Loc Test Cap Gasket (2", 3", 4" NL Bottom Outlet Only)	36.00	
-VP	Vandal-Proof Secured Top	162.00	
-XJ	Vertical Expansion Joint (See Z190) (Use with IP Outlets Only)	-	
-84	Stainless Steel Perforated Gravel Guard 1" thru 4"		635.00
		For Each Additional 1" above 4" - Per Inch (Specify Height)	101.00
-85	Stainless Steel Perforated Extension 1" thru 4"		635.00
		For Each Additional 1" above 4" up to 20" (Specify Height) * Any Size Greater Than 20" Will Be POA	101.00
-89	2" High External Water Dam	269.00	
-90	90° Threaded Side Outlet Body (2", 3", 4")	255.00	

BEST SELLERS	LIST PRICE
Z125-2NH	728.00
Z125-2NH-DP	1,195.00
Z125-3IP-90	1,097.00
Z125-3NH	728.00
Z125-3NH-89	997.00
Z125-3NH-89-DP	1,464.00
Z125-3NH-C	935.00
Z125-3NH-C-E2-FG	1,755.00
Z125-3NH-DP	1,195.00
ZC125-3NH	857.00
ZC125-3NH-DP	1,324.00
Z125-3NL	728.00
Z125-3NL-89	997.00
Z125-3NL-89-R	1,352.00
Z125-3NL-R	1,083.00
Z125-4NH	728.00
Z125-4NH-89	997.00
Z125-4NH-DP	1,195.00
ZC125-4NH	857.00

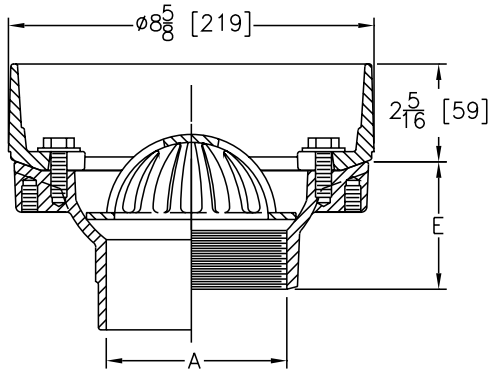
## Z127 8-1/2" DIAMETER DECK RECEPTOR DRAIN



### ENGINEERING SPECIFICATION

Zurn Z127 8-1/2" diameter deck receptor drain features Dura-Coated cast iron body with combination membrane flashing clamp/deck receptor frame and internal dome strainer.

A Pipe Size inches [mm]	Approximate Weight lb [kg]
2 [51], 3 [76], 4 [102]	19 [9]



PREFIXES	DESCRIPTION	PIPE SIZE	LIST PRICE
Z127*	D.C.C.I. Body with Collar	2", 3", 4"	811.00

#### OUTLETS (SPECIFY PIPE SIZE IN INCHES AND TYPE OF OUTLET)

OUTLET TYPE	OUTLET DESIGNATION (PIPE SIZE/OUTLET TYPE)	E BODY HT. DIM.	ADD
IC	Inside Caulk	2IC, 3IC, 4IC	3-7/8" N/C
IP	Threaded	2IP	2-7/16" 114.00
		3IP	2-3/4" 114.00
		4IP	3" 114.00
NH	No-Hub	2NH, 3NH, 4NH	3-31/32" N/C
NL	Neo-Loc (Not Recommended for Roof Drains)	2NL, 3NL, 4NL	3-27/32" N/C

#### SUFFIXES

SUFFIXES	DESCRIPTION	ADD	
-AR	Acid Resistant Epoxy Coated Finish	1,046.00	
-C	Underdeck Clamp	207.00	
Ⓢ -DP	Top-Set® Roof Deck Plate (Replaces -C and -R)	467.00	
-E	2" High Static Extension	D.C.C.I.	236.00
		Galv.	449.00
		For Each Additional 1" above 2" - Per Inch (Specify Height)	D.C.C.I. 122.00 Galv. 228.00
Ⓢ -EB	Top-Set Adjustable Extension Assembly	691.00	
-G	Galvanized Cast Iron	273.00	
-HD	High Dome	N/C	
-R	Roof Sump Receiver	355.00	
Ⓢ -TC	Neo-Loc Test Cap Gasket (2", 3", 4" NL Bottom Outlet Only)	36.00	

#### BEST SELLERS

DESCRIPTION	LIST PRICE
Z127-2NH	811.00
Z127-2NH-DP	1,278.00

\*Regularly furnished unless otherwise specified.

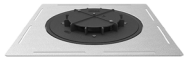
Items designated as Best Sellers are most specified and are generally in stock for shipment.

Ⓢ This symbol denotes a product that is engineered to reduce installation and rework time.

For additional product information, please visit [www.zurn.com](http://www.zurn.com).

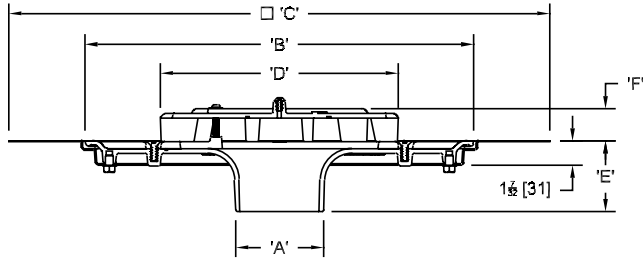
Patent [zurn.com/patents](http://zurn.com/patents)

## ⌚ Z130S SIPHONIC PRIMARY ROOF DRAIN



### ENGINEERING SPECIFICATION

Zurn Z130S Siphonic roof drain with Dura-Coated cast iron drain body and membrane flashing clamp. Complete with Dura-Coated cast iron air baffle and deck plate. Zurn Z130S meets ANSI/ASME A112.6.9 siphonic roof drain standard.



PREFIXES	DESCRIPTION	PIPE SIZE	LIST PRICE
Z130S*	Dura-Coated Cast Iron Body with Deck Plate*	3", 4", 6"	POA
OUTLETS (SPECIFY PIPE SIZE IN INCHES AND TYPE OF OUTLET)			
OUTLET TYPE	OUTLET DESIGNATION (PIPE SIZE/OUTLET TYPE)		ADD
NH	No-Hub	3NH, 4NH, 6NH	POA
SUFFIXES			
-C	Underdeck Clamp		POA
⌚ -EB	Top-Set® Adjustable Extension Assembly		POA
-VP	Vandal-Proof Secured Top		POA

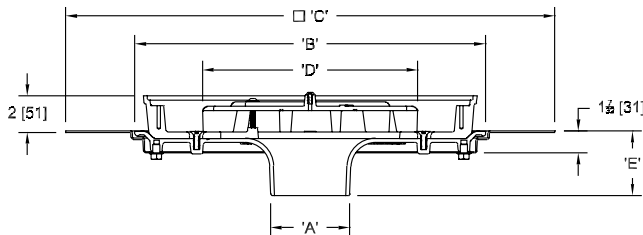
In Inches [mm]						Approximate Weight lb [kg]
A Pipe Size	B	C	D	E	F	
3 [76]	13 [330]	24 [610]	8-7/8 [225]	3-7/64 [79]	1-5/32 [29]	28 [13]
4 [102]	19-1/3 [491]	27 [686]	12-15/64 [311]	3-9/16 [90]	1-19/32 [40]	55 [25]
6 [152]	25-1/5 [640]	33 [832]	17-7/8 [454]	4-3/4 [121]	2-3/8 [61]	90 [41]

## ⌚ Z131S SIPHONIC OVERFLOW ROOF DRAIN



### ENGINEERING SPECIFICATION

Zurn Z131S Siphonic Overflow roof drain with Dura-Coated cast iron drain body and 2 [51] high external combination membrane flashing clamp/overflow dam. Complete with Dura-Coated cast iron air baffle and deck plate. Zurn Z131S meets ANSI/ASME A112.6.9 siphonic roof drain standard.



PREFIXES	DESCRIPTION	PIPE SIZE	LIST PRICE
Z131S*	Dura-Coated Cast Iron Body with Deck Plate*	3", 4", 6"	POA
OUTLETS (SPECIFY PIPE SIZE IN INCHES AND TYPE OF OUTLET)			
OUTLET TYPE	OUTLET DESIGNATION (PIPE SIZE/OUTLET TYPE)		ADD
NH	No-Hub	3NH, 4NH, 6NH	POA
SUFFIXES			
-C	Underdeck Clamp		POA
-E	Stackable Static Dam Extension (1 [25]) **		POA
⌚ -EB	Top-Set® Adjustable Extension Assembly		POA
-VP	Vandal-Proof Secured Top		POA

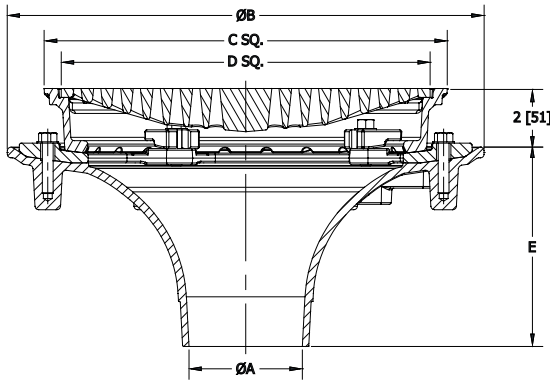
In Inches [mm]					Approximate Weight lb [kg]
A Pipe Size	B	C	D	E	
3 [76]	13 [330]	24 [610]	8-7/8 [225]	3-7/64 [79]	33 [15]
4 [102]	19-1/3 [491]	27 [686]	12-15/64 [311]	3-9/16 [90]	64 [29]
6 [152]	25-1/5 [640]	33 [832]	17-7/8 [454]	4-3/4 [121]	106 [48]

# Z150F FLOFORCE™ HIGH PERFORMANCE PROMENADE DECK DRAIN WITH ROTATABLE FRAME AND HEEL-PROOF GRATE



## ENGINEERING SPECIFICATION

Zurn Z150F FLOFORCE™ High efficient flow performing roof drain for promenade deck roof drain applications. Drain incorporates a smooth funnel-shaped interior surface, providing a seamless transition to outlet connection and eliminating internal obstructions within the body. Complete with Dura-Coated cast iron body with membrane flashing clamp, rotatable square promenade frame, seepage openings, securing clamps, and heavy-duty ductile iron heel-proof grate.



PREFIXES	DESCRIPTION	PIPE SIZE	LIST PRICE
Z150F*	D.C.C.I. Body and Frame with Ductile Iron Grate*	2", 3", 4"	1,645.00
		6"	2,036.00
		8"	2,415.00
ZN150F†	D.C.C.I. Body and Frame with Ductile Iron Grate and Polished Nickel Bronze Veneer Finish	2", 3", 4"	3,014.00
		6"	3,398.00
		8"	3,777.00

OUTLETS (SPECIFY PIPE SIZE IN INCHES AND TYPE OF OUTLET)				
OUTLET TYPE		OUTLET DESIGNATION (PIPE SIZE/OUTLET TYPE)	E BODY HT. DIM.	ADD
IC	Inside Caulk	3IC, 4IC	5-13/16"	N/C
		6IC	6-1/16"	N/C
IP	Threaded	2IP, 3IP, 4IP	5-15/16", 6-3/16", 6-5/16"	114.00
		6IP, 8IP	6-11/16", 6-3/4"	114.00
NH	No-Hub	2NH, 3NH, 4NH	6-15/16"	N/C
		6NH, 8NH	7-7/16"	N/C
NL	Neo-Loc (Not Recommended for Roof Drains)	2NL, 3NL, 4NL	7-3/8"	N/C
		6NL	8-1/32"	N/C

SUFFIXES			ADD
-AR	Acid Resistant Epoxy Coated Finish		1,853.00
-C	Underdeck Clamp		336.00
⊖ -DP	Top-Set® Roof Deck Plate (Replaces -C and -R)		599.00
⊖ -DR	Top-Set® Drain Riser	D.C.C.I.	1,663.00
		Galv.	2,127.00
-E	Static Extension 1" thru 4" (Specify Height)	D.C.C.I.	903.00
		Galv.	1,360.00
		For E Extensions Greater than 4" - Per Inch (Specify Height)	D.C.C.I. 219.00 Galv. 334.00
-EA	Adjustable Extension Assembly 2-1/8" thru 3-1/2"	D.C.C.I. 991.00 Galv. 1,467.00	
-G	Galvanized Cast Iron		1,217.00
-R	Roof Sump Receiver		374.00
-SC	Secondary Clamp Collar		256.00
⊖ -TC	Neo-Loc Test Cap Gasket (2", 3", 4" NL Bottom Outlet Only)		36.00
-VP	Vandal-Proof Secured Top		203.00
-Y	Stainless Steel Sediment Bucket		628.00
-85	Stainless Steel Perforated Extension 1" thru 4"		1,074.00
		For Each Additional 1" above 4" up to 20" (Specify Height) *** Any Size Greater Than 20" Will Be POA	113.00
			DEDUCT
-PD	Low-Profile Pedestal Paver Dome	2", 3", 4"	(371.00)
		6", 8"	(315.00)
-89	2" High Overflow Dam and Low-Profile Pedestal Paver Dome	2", 3", 4"	(50.00)
		6", 8"	N/C

A Outlet Size inches [mm]	Grate Open Area sq in [cm²]	Approximate Weight lb [kg]	Body Diameter In [mm]	Frame Size In [mm]	Grate Size In [mm]
2 [51], 3 [76], 4 [102]	44 [284]	66 [30]	16-9/16 [421]	14 [356]	12-13/16 [325]
6 [152]	70 [452]	94 [43]	20-3/32 [510]	18 [457]	16-13/16 [427]
8 [203]					

\*Regularly furnished unless otherwise specified.

Items designated as Best Sellers are most specified and are generally in stock for shipment.

⊖ This symbol denotes a product that is engineered to reduce installation and rework time.

For additional product information, please visit [www.zurn.com](http://www.zurn.com).

Patent [zurn.com/patents](http://zurn.com/patents)

# Z150 14" SQUARE TOP PROM-DECK DRAIN WITH HEEL-PROOF GRATE AND ROTABLE FRAME



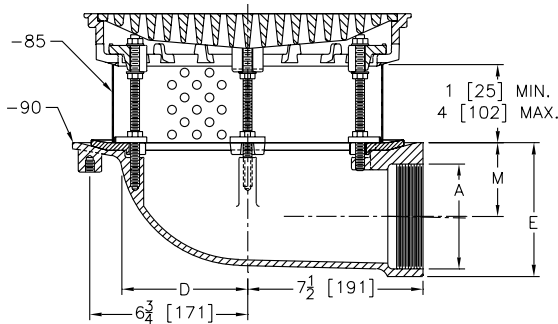
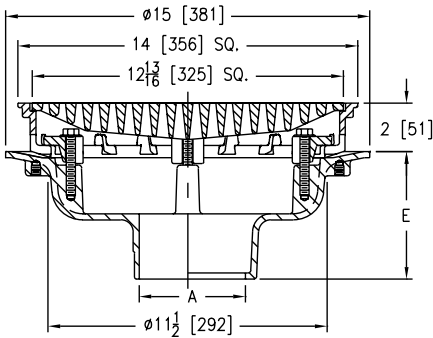
## ENGINEERING SPECIFICATION

Zurn Z150 14" square top prom-deck drain features Dura-Coated cast iron body with rotatable, square promenade frame with seepage openings, frame clamps and heavy-duty, heel-proof grate and sediment bucket.

## NOTES

\*Add 3/16" to 2" dimension and 3/8" to 14" dimension

A Pipe Size inches [mm]	Grate Open Area sq in [cm <sup>2</sup> ]	Approximate Weight lb [kg]
2 [51], 3 [76], 4 [102]	44 [284]	53 [24]
6 [152]		54 [24]
8 [203]		



Shown with -85-90 Options

**ZURN Z150-85-90** 14" Square Top Lateral Prom-Deck Drain. Dura-Coated cast iron body with side outlet, rotatable square promenade frame with seepage openings, frame clamps, perforated stainless steel extension with secondary clamp collar, and heavy-duty heel-proof grate.

BEST SELLERS	LIST PRICE
Z150-3NH	1,645.00
Z150-3NH-DP	2,244.00
ZN150-3NH	3,014.00
Z150-3NL	1,645.00
Z150-3NL-85=4	2,719.00
Z150-4NH	1,645.00
Z150-4NH-85=4	2,719.00
Z150-4NH-85=4-EA	3,710.00

PREFIXES	DESCRIPTION	PIPE SIZE	LIST PRICE
Z150*	D.C.C.I. Body with Top	2", 3", 4"	1,645.00
		6"	2,036.00
		8"	2,415.00
ZN150†	D.C.C.I. Body with Polished Nickel Bronze Top	2", 3", 4"	3,014.00
		6"	3,398.00
		8"	3,777.00

OUTLETS (SPECIFY PIPE SIZE IN INCHES AND TYPE OF OUTLET)				
OUTLET TYPE		OUTLET DESIGNATION (PIPE SIZE/OUTLET TYPE)	E BODY HT. DIM.	ADD
IC	Inside Caulk	3IC, 4IC, 6IC	5-1/4"	N/C
IP	Threaded	2IP, 3IP, 4IP, 6IP, 8IP	3-3/4"	114.00
NH	No-Hub	2NH, 3NH, 4NH, 6NH, 8NH	5-1/4"	N/C
NL	Neo-Loc (Not Recommended for Roof Drains)	2NL, 3NL, 4NL	4-9/16"	N/C

SUFFIXES			
			ADD
-AR	Acid Resistant Epoxy Coated Finish		1,853.00
-C	Underdeck Clamp		336.00
Ⓢ -DE	Deck Extension	D.C.C.I.	963.00
		Galv.	1,428.00
Ⓢ -DP	Top-Set® Roof Deck Plate (Replaces -C and -R)		599.00
Ⓢ -DR	Top-Set Drain Riser (Adjustment from 3-5/8" thru 7-1/4")	D.C.C.I.	1,663.00
		Galv.	2,127.00
-DT	Decorative Polished Top		247.00
-E	Static Extension 1" thru 4" (Specify Height)	D.C.C.I.	903.00
		Galv.	1,360.00
	For E Extensions Greater than 4" - Per Inch (Specify Height)	D.C.C.I.	219.00
		Galv.	334.00
-EA	Adjustable Extension Assembly 2-1/8" thru 3-1/2"	D.C.C.I.	991.00
		Galv.	1,467.00
Ⓢ -EB	Top-Set Adjustable Extension Assembly		903.00
-G	Galvanized Cast Iron		1,217.00
-R	Roof Sump Receiver		374.00
-S	Secondary Strainer		137.00
-SC	Secondary Clamp Collar		256.00
Ⓢ -TC	Neo-Loc Test Cap Gasket (2", 3", 4" NL Bottom Outlet Only)		36.00
-TS	Top Secured with Slotted Screws		180.00
-VP	Vandal-Proof Secured Top		203.00
-XJ	Vertical Expansion Joint (See Z190) (Use with IP Outlets Only)		-
-85	Stainless Steel Perforated Extension 1" thru 4"		1,074.00
	For Each Additional 1" above 4" up to 20" (Specify Height)		113.00
	* Any Size Greater Than 20" Will Be POA		
-90	90° Threaded Side Outlet Body (2", 3", 4", 6")		506.00

BEST SELLERS	LIST PRICE
ZN150-4NH	3,014.00
Z150-4NL	1,645.00
Z150-4NL-E4	2,548.00
ZN150-4NL	3,014.00
Z150-6NH	2,036.00
ZN150-6NH	3,398.00
Z150-8NH	2,415.00

# Z154 12" SQUARE TOP PROM-DECK DRAIN WITH HEEL-PROOF GRATE AND ROTATABL FRAME



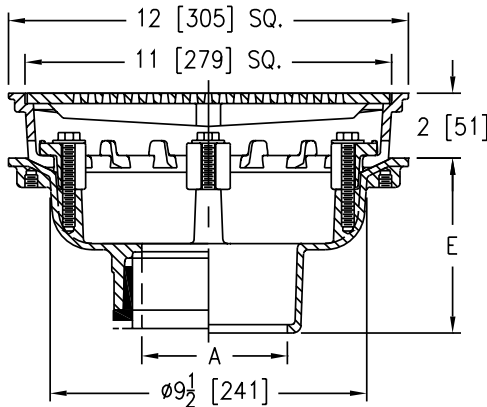
## ENGINEERING SPECIFICATION

Zurn Z154 12" square top prom-deck drain features Dura-Coated cast iron body with rotatable, light-duty, square promenade frame with seepage openings, frame clamps and light-duty, heel-proof grate.

## NOTES

†Add 3/16" to 2" dimension and 5/8" to 12" dimension

A Pipe Size inches [mm]	Grate Open Area sq in [cm <sup>2</sup> ]	Approximate Weight lb [kg]
2 [51], 3 [76], 4 [102], 6 [152]	34 [219]	29 [13]



PREFIXES	DESCRIPTION	PIPE SIZE	LIST PRICE
Z154*	D.C.C.I. Body with Top	2", 3", 4", 6"	1,476.00
ZB154†	D.C.C.I. Body with Polished Bronze Top	2", 3", 4", 6"	2,350.00
ZN154†	D.C.C.I. Body with Polished Nickel Bronze Top	2", 3", 4", 6"	2,484.00

OUTLETS (SPECIFY PIPE SIZE IN INCHES AND TYPE OF OUTLET)			
OUTLET TYPE	OUTLET DESIGNATION (PIPE SIZE/OUTLET TYPE)	E BODY HT. DIM.	ADD
IC	Inside Caulk	2IC, 3IC, 4IC, 6IC	5-1/4" N/C
IP	Threaded	2IP, 3IP, 4IP, 6IP	3-3/4" 114.00
NH	No-Hub	2NH, 3NH, 4NH, 6NH	5-1/4" N/C
NL	Neo-Loc (Not Recommended for Roof Drains)	2NL, 3NL, 4NL	4-9/16" N/C

SUFFIXES	ADD
-AR	Acid Resistant Epoxy Coated Finish 1,390.00
-C	Underdeck Clamp 207.00
-DG	Duresist Grate - Extra Heavy Duty 746.00
Ⓢ -DP	Top-Set® Roof Deck Plate 467.00
-DT	Decorative Polished Top 247.00
-E	2" High Static Extension D.C.C.I. 236.00
	Galv. 449.00
	For Each Additional 1" above 2" - Per Inch (Specify Height) D.C.C.I. 122.00
	Galv. 228.00
Ⓢ -EB	Top-Set Adjustable Extension Assembly 691.00
-G	Galvanized Cast Iron 688.00
-S	Secondary Strainer 137.00
-SC	Secondary Clamp Collar 269.00
Ⓢ -TC	Neo-Loc Test Cap Gasket (2", 3", 4" NL Bottom Outlet Only) 36.00
-TS	Top Secured with Slotted Screws 180.00
-VP	Vandal-Proof Secured Top 203.00
-Y	Sediment Bucket 355.00
-85	Stainless Steel Perforated Extension 1" thru 4" 857.00
	For Each Additional 1" above 4" up to 20" (Specify Height) 101.00
	* Any Size Greater Than 20" Will Be POA
-90	90° Threaded Side Outlet Body (2", 3", 4") 219.00

BEST SELLERS	LIST PRICE
Z154-3NH	1,476.00
Z154-3NH-C	1,683.00
Z154-3NH-VP	1,679.00
Z154-3NL	1,476.00
Z154-3NL-85=4	2,333.00
ZN154-3NL	2,484.00
ZB154-3NL	2,350.00
Z154-4NH	1,476.00
Z154-4NH-EB	2,167.00
ZN154-4NH-85=4	3,341.00
ZN154-4NL	2,484.00
ZN154-4NL-VP	2,687.00
ZN154-6NH	2,484.00

\*Regularly furnished unless otherwise specified.

Items designated as Best Sellers are most specified and are generally in stock for shipment.

Ⓢ This symbol denotes a product that is engineered to reduce installation and rework time.

For additional product information, please visit [www.zurn.com](http://www.zurn.com).

Patent [zurn.com/patents](http://zurn.com/patents)

# Z158 10" SQUARE TOP PROM-DECK DRAIN WITH HEEL-PROOF GRATE AND ROTABLE FRAME



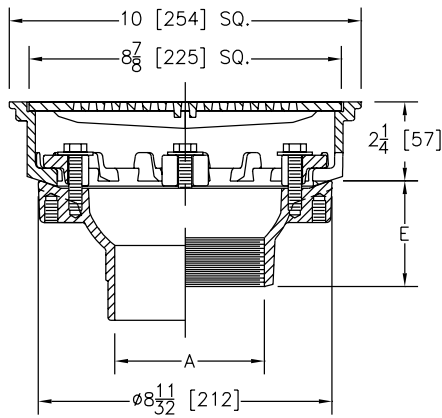
## ENGINEERING SPECIFICATION

Zurn Z158 10" square top prom-deck drain features Dura-Coated cast iron body with rotatable, square promenade frame with seepage openings, frame clamps and light-duty, heel-proof grate.

## NOTES

†Add 3/16" to 2-1/4" dimension and 5/8" to 10" dimension

A Pipe Size inches [mm]	Grate Open Area sq in [cm <sup>2</sup> ]	Approximate Weight lb [kg]
2 [51], 3 [76], 4 [102]	21 [136]	20 [9]



PREFIXES	DESCRIPTION	PIPE SIZE	LIST PRICE
Z158*	D.C.C.I. Body with Top	2", 3", 4"	1,123.00
ZB158†	D.C.C.I. Body with Polished Bronze Top	2", 3", 4"	1,640.00
ZN158†	D.C.C.I. Body with Polished Nickel Bronze Top	2", 3", 4"	1,709.00

OUTLETS (SPECIFY PIPE SIZE IN INCHES AND TYPE OF OUTLET)			
OUTLET TYPE	OUTLET DESIGNATION (PIPE SIZE/OUTLET TYPE)	E BODY HT. DIM.	ADD
IC	Inside Caulk	3IC, 4IC	3-7/8" N/C
IP	Threaded	2IP	2-7/16" 114.00
		3IP	2-3/4" 114.00
		4IP	3" 114.00
NH	No-Hub	2NH, 3NH, 4NH	4" N/C
NL	Neo-Loc (Not Recommended for Roof Drains)	2NL, 3NL, 4NL	3-13/16" N/C

SUFFIXES	ADD
-AR	Acid Resistant Epoxy Coated Finish 1,039.00
-C	Underdeck Clamp 207.00
-DG	Duresist Grate - Extra Heavy Duty 654.00
Ⓢ -DP	Top-Set® Roof Deck Plate 467.00
-DT	Decorative Polished Top 247.00
-E	2" High Static Extension D.C.C.I. 236.00
	Galv. 449.00
	For Each Additional 1" above 2" - Per Inch D.C.C.I. 122.00
Galv. 228.00	
Ⓢ -EB	Top-Set Adjustable Extension Assembly 691.00
-G	Galvanized Cast Iron 374.00
-SC	Secondary Clamp Collar 269.00
Ⓢ -TC	Neo-Loc Test Cap Gasket (2", 3", 4" NL Bottom Outlet Only) 36.00
-TS	Top Secured with Slotted Screws 180.00
-VP	Vandal-Proof Secured Top 203.00
-Y	Sediment Bucket 291.00
-85	Stainless Steel Perforated Extension 1" thru 4" 635.00
	For Each Additional 1" above 4" up to 20" (Specify Height) * Any Size Greater Than 20" Will Be POA 113.00
-90	90° Threaded Side Outlet Body (2", 3", 4") 255.00

BEST SELLERS	LIST PRICE
Z158-3NH	1,123.00
Z158-3NH-C-E2	1,566.00
Z158-4NH	1,123.00
Z158-4NL	1,123.00
ZB158-3IP	1,754.00
ZN158-3NH	1,709.00
ZN158-3NL	1,709.00
ZB158-4NL	1,640.00
ZB158-4NL-VP	1,843.00
ZN158-4NL	1,709.00

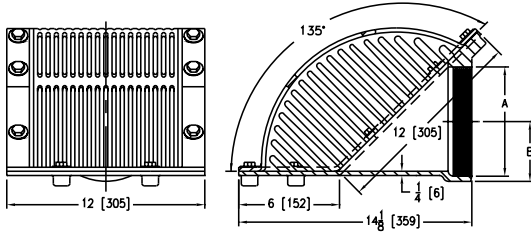
## Z160 135° SCUPPER DRAIN



### ENGINEERING SPECIFICATION

Zurn ZRB160 135° scupper drain features Dura-Coated cast iron body and plain bronze grate with integral membrane clamp.

Dimensions in inches [mm]		Grate Open Area sq in [cm <sup>2</sup> ]	Approximate Weight lb [kg]
A	B		
4 [102]	2-9/16 [65]	114 [735]	52 [24]
6 [152]	3-5/8 [92]		



PREFIXES	DESCRIPTION	PIPE SIZE	LIST PRICE
ZRB160*	D.C.C.I. Body with Plain Bronze Grate	4", 6"	5,553.00
ZB160	D.C.C.I. Body with Polished Bronze Grate	4", 6"	6,347.00
ZN160	D.C.C.I. Body with Polished Nickel Bronze Grate	4", 6"	6,674.00

OUTLETS (SPECIFY PIPE SIZE IN INCHES AND TYPE OF OUTLET)			
OUTLET TYPE		OUTLET DESIGNATION (PIPE SIZE/OUTLET TYPE)	ADD
IP	Threaded	4IP, 6IP	N/C
SUFFIXES			ADD
-G	Galvanized Cast Iron		734.00

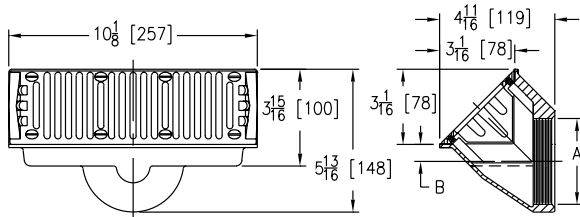
## Z161 3" X 10" OBLIQUE SCUPPER DRAIN



### ENGINEERING SPECIFICATION

Zurn ZARB161 3" x 10" oblique scupper drain features plain bronze body with gasket and plain bronze grate with integral membrane clamp.

Dimensions in inches [mm]		Grate Open Area sq in [cm <sup>2</sup> ]	Approximate Weight lb [kg]
A	B		
2 [51]	1-1/4 [32]	19 [123]	23 [10]
3 [76]	1-1/16 [27]		21 [10]



PREFIXES	DESCRIPTION	PIPE SIZE	LIST PRICE
ZARB161*	All Bronze Body with Plain Bronze Grate	2", 3"	1,671.00
ZAB161	All Bronze Body with Polished Bronze Grate	2", 3"	2,139.00
ZANB161	All Bronze Body with Polished Nickel Bronze Grate	2", 3"	2,644.00

OUTLETS (SPECIFY PIPE SIZE IN INCHES AND TYPE OF OUTLET)			
OUTLET TYPE		OUTLET DESIGNATION (PIPE SIZE/OUTLET TYPE)	ADD
IP	Threaded	2IP, 3IP	N/C
BEST SELLER			LIST PRICE
ZARB161-3IP			1,671.00

\*Regularly furnished unless otherwise specified.

Items designated as Best Sellers are most specified and are generally in stock for shipment.

⌚ This symbol denotes a product that is engineered to reduce installation and rework time.

For additional product information, please visit [www.zurn.com](http://www.zurn.com).

Patent [zurn.com/patents](http://zurn.com/patents)



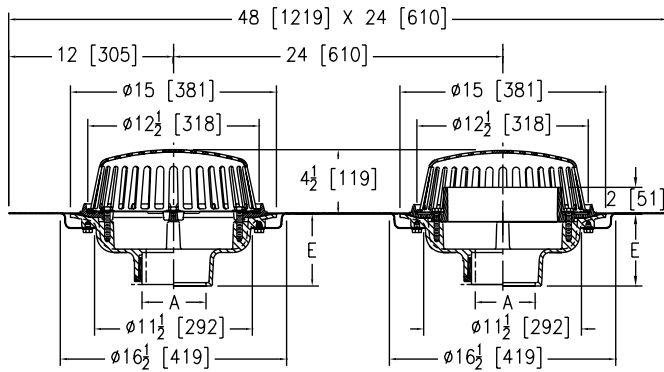
**Z163 15" DIAMETER COMBINATION MAIN ROOF AND OVERFLOW DRAIN WITH LOW SILHOUETTE DOMES AND DOUBLE TOP-SET® DECK PLATE**



**ENGINEERING SPECIFICATION**

Zurn Z163 15" diameter roof drain and overflow drain feature Dura-Coated cast iron bodies with combination membrane flashing clamp/gravel guards, double Top-Set® deck plate and low silhouette polydomes.

A Pipe Size inches [mm]	Dome Open Area sq in [cm <sup>2</sup> ]	Approximate Weight lb [kg]
2 [51], 3 [76], 4 [102]	103 [665]	73 [33]
6 [152]		74 [34]
8 [203]		75 [34]



BEST SELLERS	LIST PRICE
Z163-3NH	3,396.00
ZA163-3NH	4,055.00
ZA163-3NH-EA	6,035.00
Z163-3NL-TC	3,463.00
Z163-4NH	3,396.00
Z163-4NH-EA	5,376.00
ZA163-4NH	4,055.00
ZA163-4NH-EA	6,035.00
Z163-4NL-TC	3,463.00
ZC163-4IP	4,180.00
Z163-6NH	4,218.00
Z163-6NH-DR	7,544.00
Z163-6NH-EA	6,198.00
Z163-6NH-EA-G-SC	7,668.00
Z163-6NH-VP-W3	5,135.00
Z163-6NH-W4	4,794.00
ZA163-6NH	4,883.00
ZA163-6NH-EA	6,863.00
ZC163-6NH	4,785.00
ZC163-6NH-EA	6,765.00
Z163-8NH	5,042.00
Z163-8NH-EA	7,022.00

PREFIXES	DESCRIPTION	PIPE SIZE	LIST PRICE
Z163*	D.C.C.I. Body with Polydome	2", 3", 4"	3,396.00
		6"	4,218.00
		8"	5,042.00
ZA163	D.C.C.I. Body with Aluminum Dome	2", 3", 4"	4,055.00
		6"	4,883.00
		8"	5,708.00
ZC163	D.C.C.I. Body with Cast Iron Dome	2", 3", 4"	3,962.00
		6"	4,785.00
		8"	5,611.00

OUTLETS (SPECIFY PIPE SIZE IN INCHES AND TYPE OF OUTLET)				
OUTLET TYPE	OUTLET DESIGNATION (PIPE SIZE/OUTLET TYPE)	E BODY HT. DIM.	ADD	
IC	Inside Caulk	3IC, 4IC, 6IC	5-1/4"	N/C
IP	Threaded	2IP, 3IP, 4IP, 6IP, 8IP	3-3/4"	218.00
NH	No-Hub	2NH, 3NH, 4NH, 6NH, 8NH	5-1/4"	N/C
NL	Neo-Loc (Not Recommended for Roof Drains)	2NL, 3NL, 4NL	4-5/8"	N/C

SUFFIXES				ADD
-AR	Acid Resistant Epoxy Coated Finish			3,696.00
Ⓢ -DE	Deck Extension	D.C.C.I.		1,922.00
		Galv.		2,851.00
Ⓢ -DR	Top-Set® Drain Riser			3,326.00
-E	Static Extension 1" thru 4" (Specify Height)	D.C.C.I.		1,802.00
		Galv.		2,719.00
		D.C.C.I.	For E Extensions Greater than 4" - Per Inch (Specify Height)	432.00
		Galv.		656.00
-EA	Adjustable Extension Assembly 2-1/8" thru 3-1/2"	D.C.C.I.		1,980.00
		Galv.		2,933.00
-G	Galvanized Cast Iron	Z		2,620.00
		ZC		3,727.00
-HD	6-3/4" High Aluminum Dome Strainer, Open Area 148 Sq. In. (ZA Only)			622.00
-SC	Secondary Clamping Collar			517.00
-SS	Stainless Mesh Screen Over Dome			1,377.00
Ⓢ -TC	Neo-Loc Test Cap Gasket (2", 3", 4" NL Bottom Outlet Only)			67.00
-VP	Vandal-Proof Secured Top			341.00
-W3	3" Internal Water Dam			576.00
-W4	4" Internal Water Dam			576.00
-XJ	Vertical Expansion Joint (See Z190)			-
-84	Stainless Steel Perforated Gravel Guard 1" thru 4"			2,141.00
			For Each Additional 1" above 4" - Per Inch (Specify Height)	101.00
-85	Stainless Steel Perforated Extension 1" thru 4"			2,157.00
			For Each Additional 1" above 4" up to 20" (Specify Height) * Any Size Greater Than 20" Will Be POA	101.00
-89	2" High External Water Dam (Replaces Internal Dam)			N/C

For additional product information, please visit [www.zurn.com](http://www.zurn.com). Patent [zurn.com/patents](http://zurn.com/patents)

\*Regularly furnished unless otherwise specified.

Items designated as Best Sellers are most specified and are generally in stock for shipment.

Ⓢ This symbol denotes a product that is engineered to reduce installation and rework time.

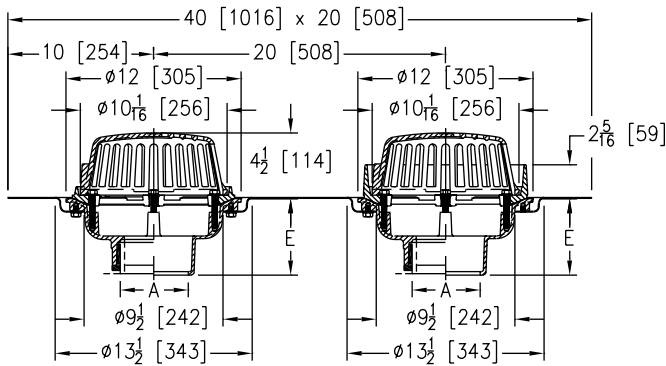
**Z164 12" DIAMETER COMBINATION MAIN ROOF AND OVERFLOW DRAIN WITH LOW SILHOUETTE DOMES AND DOUBLE TOP-SET® DECK PLATE**



**ENGINEERING SPECIFICATION**

Zurn Z164 12" diameter roof drain and overflow drain feature Dura-Coated cast iron bodies with combination membrane flashing clamp/gravel guards, double Top-Set® deck plate and low silhouette cast iron domes.

A Pipe Size inches [mm]	Dome Open Area sq in [cm <sup>2</sup> ]	Approximate Weight lb [kg]
2 [51], 3 [76], 4 [102], 6 [152]	78 [503]	66 [30]



PREFIXES	DESCRIPTION	PIPE SIZE	LIST PRICE
Z164*	D.C.C.I. Body with 4-1/4" Dome	2", 3", 4", 6"	2,650.00
ZA164	D.C.C.I. Body with 6-9/16" Aluminum Dome	2", 3", 4", 6"	2,894.00

OUTLETS (SPECIFY PIPE SIZE IN INCHES AND TYPE OF OUTLET)			
OUTLET TYPE	OUTLET DESIGNATION (PIPE SIZE/OUTLET TYPE)	E BODY HT. DIM.	ADD
IC	Inside Caulk	2IC, 3IC, 4IC, 6IC	5-1/4" N/C
IP	Threaded	2IP, 3IP, 4IP, 6IP	3-3/4" 218.00
NH	No-Hub	2NH, 3NH, 4NH, 6NH	5-1/4" N/C
NL	Neo-Loc (Not Recommended for Roof Drains)	2NL, 3NL, 4NL	4-5/8" N/C

SUFFIXES	ADD
-AR	Acid Resistant Epoxy Coated Finish 2,776.00
-E	Static Extension 1" thru 4" D.C.C.I. 473.00 Galv. 897.00
	For Each Additional 1" above 4" - Per Inch (Specify Height) D.C.C.I. 239.00 Galv. 449.00
-G	Galvanized Cast Iron 1,081.00
-SC	Secondary Clamping Collar 503.00
-SS	Stainless Steel Mesh Screen Over Dome 1,278.00
-TC	Neo-Loc Test Cap Gasket (2", 3", 4" NL Bottom Outlet Only) 67.00
-VP	Vandal-Proof Secured Top 314.00
-XJ	Vertical Expansion Joint (See Z190) -
-84	Stainless Steel Perforated Gravel Guard 1" thru 4" 1,960.00
	For Each Additional 1" above 4" - Per Inch (Specify Height) 92.00
-85	Stainless Steel Perforated Extension 1" thru 4" 1,974.00
	For Each Additional 1" above 4" up to 20" (Specify Height) * 92.00
	Any Size Greater Than 20" Will Be POA

BEST SELLERS	LIST PRICE
Z164-3NH	2,650.00
Z164-3NH-SC	3,153.00
Z164-3NH-VP	2,964.00
ZA164-3NH-G	3,975.00
Z164-3NL	2,650.00
Z164-4NH	2,650.00
Z164-4NH-E4	3,123.00
Z164-4NH-VP	2,964.00
Z164-4NL	2,650.00
Z164-6NH	2,650.00
Z164-6NH-SC	3,153.00

\*Regularly furnished unless otherwise specified.

Items designated as Best Sellers are most specified and are generally in stock for shipment.

⌚ This symbol denotes a product that is engineered to reduce installation and rework time.

For additional product information, please visit [www.zurn.com](http://www.zurn.com).

Patent [zurn.com/patents](http://zurn.com/patents)

INTRO ROOF DRAINS FLOOR DRAINS I.P. BW VALVES INTERCEPTORS CARRIERS HYDRANTS CLEANOUTS WHA SS DRAINS SANI-FLOOR TECH INFO

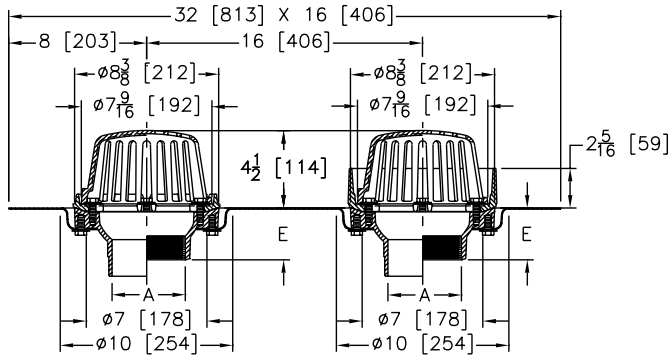
## 🕒 Z165 8-3/8" DIAMETER COMBINATION MAIN ROOF AND OVERFLOW DRAIN WITH LOW SILHOUETTE DOMES AND DOUBLE TOP-SET® DECK PLATE



### ENGINEERING SPECIFICATION

Zurn Z165 8-3/8" diameter roof drain and overflow drain feature Dura-Coated cast iron bodies with combination membrane flashing clamp/gravel guards, double Top-Set® deck plate, and low silhouette cast iron domes.

A Pipe Size inches [mm]	Dome Open Area sq in [cm <sup>2</sup> ]	Approximate Weight lb [kg]
2 [51], 3 [76], 4 [102]	43 [277]	36 [16]



PREFIXES	DESCRIPTION	PIPE SIZE	LIST PRICE
Z165*	D.C.C.I. Body with 4-1/4" Dome	2", 3", 4"	2,382.00
ZA165	D.C.C.I. Body with 4-1/4" Aluminum Dome	2", 3", 4"	2,636.00

### OUTLETS (SPECIFY PIPE SIZE IN INCHES AND TYPE OF OUTLET)

OUTLET TYPE	OUTLET DESIGNATION (PIPE SIZE/OUTLET TYPE)	E BODY HT. DIM.	ADD
IC	Inside Caulk	2IC, 3IC, 4IC	3-7/8" N/C
IP	Threaded	2IP	2-7/16" 218.00
		3IP	2-3/4" 218.00
		4IP	3" 218.00
NH	No-Hub	2NH, 3NH, 4NH	4" N/C
NL	Neo-Loc (Not Recommended for Roof Drains)	2NL, 3NL, 4NL	3-13/16" N/C

### SUFFIXES

SUFFIXES	DESCRIPTION	ADD
-AR	Acid Resistant Epoxy Coated Finish	2,079.00
-E	Static Extension 1" thru 4"	D.C.C.I. 473.00
		Galv. 897.00
		For Each Additional 1" above 4" - Per Inch (Specify Height) D.C.C.I. 239.00
		Galv. 449.00
-G	Galvanized Cast Iron	546.00
-SC	Secondary Clamping Collar	524.00
-SS	Stainless Steel Mesh Screen Over Dome	964.00
-TC	Neo-Loc Test Cap Gasket (2", 3", 4" NL Bottom Outlet Only)	67.00
-VP	Vandal-Proof Secured Top	314.00
-XJ	Vertical Expansion Joint (See Z190) (Use with IP Outlets Only)	-
-84	Stainless Steel Perforated Gravel Guard 1" thru 4"	1,960.00
		For Each Additional 1" above 4" - Per Inch (Specify Height) 92.00
-85	Stainless Steel Perforated Extension 1" thru 4"	1,974.00
		For Each Additional 1" above 4" up to 20" (Specify Height) * Any Size Greater Than 20" Will Be POA 92.00

### BEST SELLERS

MODEL	LIST PRICE
Z165-2NH	2,382.00
Z165-3NH	2,382.00
Z165-3NL	2,382.00
Z165-4NH	2,382.00
Z165-4NL	2,382.00

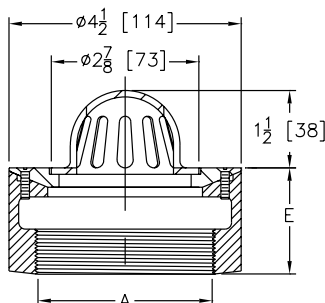
## Z180 4-1/2" DIAMETER CORNICE DRAIN WITH BOTTOM OUTLET



### ENGINEERING SPECIFICATION

Zurn ZRB180 4-1/2" diameter by 2" high cornice drain features Dura-Coated cast iron body, plain bronze dome, and membrane flashing clamp.

A Pipe Size inches [mm]	Dome Open Area sq in [cm <sup>2</sup> ]	Approximate Weight lb [kg]
2 [51], 3 [76]	4.5 [29]	5 [2]



PREFIXES	DESCRIPTION	PIPE SIZE	LIST PRICE
ZRB180*	D.C.C.I. Body with Plain Bronze Dome	2", 3"	605.00
ZN180	D.C.C.I. Body with Polished Nickel Bronze Dome	2", 3"	901.00

### OUTLETS (SPECIFY PIPE SIZE IN INCHES AND TYPE OF OUTLET)

OUTLET TYPE	OUTLET DESIGNATION (PIPE SIZE/OUTLET TYPE)	E BODY HT. DIM.	ADD
IP	Threaded	2IP, 3IP	2" N/C
NH	No-Hub (IP w/Z1040)	2NH, 3NH	4-1/2" N/C

### SUFFIXES

SUFFIXES	DESCRIPTION	ADD
-FS	Flat Strainer (ZN)	N/C
-G	Galvanized Cast Iron	219.00
-VP	Vandal-Proof Secured Top	83.00

For additional product information, please visit [www.zurn.com](http://www.zurn.com).  
Patent [zurn.com/patents](http://zurn.com/patents)

\*Regularly furnished unless otherwise specified.

Items designated as Best Sellers are most specified and are generally in stock for shipment.

🕒 This symbol denotes a product that is engineered to reduce installation and rework time.

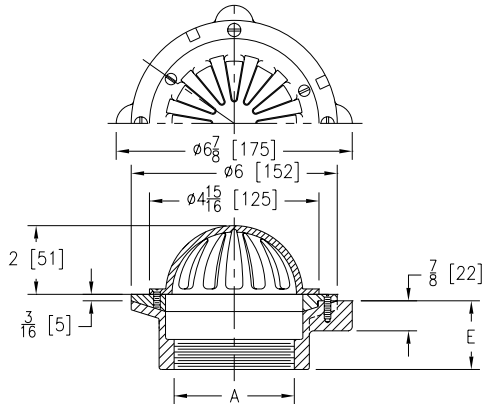
## Z181 6" DIAMETER CORNICE DRAIN WITH BOTTOM OUTLET



### ENGINEERING SPECIFICATION

Zurn ZRB181 6" diameter by 2" high cornice drain features Dura-Coated cast iron body, plain bronze dome, and membrane flashing clamp.

A Pipe Size inches [mm]	Dome Open Area sq in [cm <sup>2</sup> ]	Approximate Weight lb [kg]
3 [76]	11 [71]	6 [3]
4 [102]		7 [3]



PREFIXES	DESCRIPTION	PIPE SIZE	LIST PRICE
ZRB181*	D.C.C.I. Body with Plain Bronze Dome	3"	1,084.00
		4"	1,516.00
ZN181	D.C.C.I. Body with Polished Nickel Bronze Dome	3"	1,359.00
		4"	1,796.00

OUTLETS (SPECIFY PIPE SIZE IN INCHES AND TYPE OF OUTLET)			
OUTLET TYPE	OUTLET DESIGNATION (PIPE SIZE/OUTLET TYPE)	E BODY HT. DIM.	ADD
IP	Threaded	3IP, 4IP	N/C
NH	No-Hub (IP w/Z1040)	3NH, 4NH	4-1/2" N/C

SUFFIXES			ADD
-BS	Bronze Mesh Screen Over Dome		724.00
-C	Underdeck Clamp		207.00
-FS	Flat Strainer (ZN)		N/C
-G	Galvanized Cast Iron		231.00
-HD	5-3/4" High Dome	ZRB	119.00
		ZN	152.00
-R	Roof Sump Receiver		355.00
-SS	Stainless Steel Mesh Screen Over Dome		724.00
-VP	Vandal-Proof Secured Top		83.00

BEST SELLERS		LIST PRICE
ZN181-4IP-FS		1,796.00
ZN181-4NH-HD-SS		2,672.00

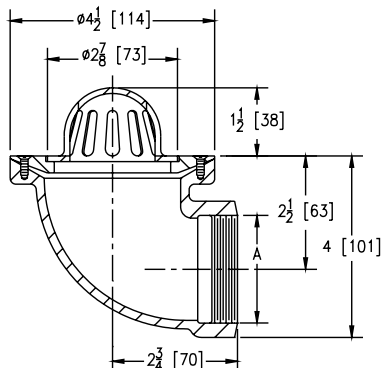
## Z182 4-1/2" DIAMETER CORNICE DRAIN WITH 90° OUTLET



### ENGINEERING SPECIFICATION

Zurn ZRB182 4-1/2" diameter cornice drain features Dura-Coated cast iron 90° side outlet body, plain bronze dome, and membrane flashing clamp.

A Pipe Size inches [mm]	Dome Open Area sq in [cm <sup>2</sup> ]	Approximate Weight lb [kg]
2 [51]	4.5 [29]	5 [2]



PREFIXES	DESCRIPTION	PIPE SIZE	LIST PRICE
ZRB182*	D.C.C.I. Body with Plain Bronze Dome	2"	771.00
ZN182	D.C.C.I. Body with Polished Nickel Bronze Dome	2"	1,075.00

OUTLETS (SPECIFY PIPE SIZE IN INCHES AND TYPE OF OUTLET)			
OUTLET TYPE	OUTLET DESIGNATION (PIPE SIZE/OUTLET TYPE)		ADD
IP	Threaded	2IP	N/C

SUFFIXES			ADD
-FS	Flat Strainer (ZN)		N/C
-G	Galvanized Cast Iron		231.00
-VP	Vandal-Proof Secured Top		83.00

\*Regularly furnished unless otherwise specified.

Items designated as Best Sellers are most specified and are generally in stock for shipment.

⌚ This symbol denotes a product that is engineered to reduce installation and rework time.

For additional product information, please visit [www.zurn.com](http://www.zurn.com).

Patent [zurn.com/patents](http://zurn.com/patents)

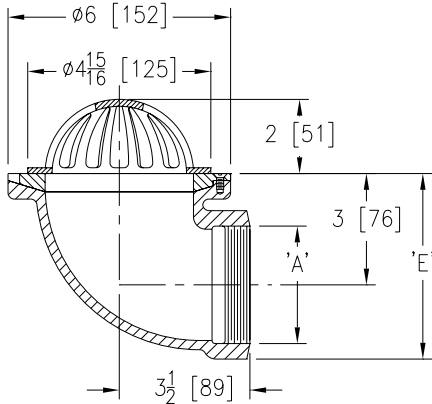
## Z185 6" DIAMETER CORNICE DRAIN WITH 90° OUTLET



### ENGINEERING SPECIFICATION

Zurn ZRB185 6" diameter cornice drain features Dura-Coated cast iron 90° side outlet body, plain bronze dome, and membrane flashing clamp.

A Pipe Size inches [mm]	Dome Open Area sq in [cm <sup>2</sup> ]	Approximate Weight lb [kg]
3 [76]	11 [71]	8 [4]
4 [102]		10 [5]



PREFIXES	DESCRIPTION	PIPE SIZE	LIST PRICE
ZRB185*	D.C.C.I. Body with Plain Bronze Dome	3", 4"	1,041.00
ZN185	D.C.C.I. Body with Polished Nickel Bronze Dome	3", 4"	1,336.00

OUTLETS (SPECIFY PIPE SIZE IN INCHES AND TYPE OF OUTLET)			
OUTLET TYPE	OUTLET DESIGNATION (PIPE SIZE/OUTLET TYPE)	E BODY HT. DIM.	ADD
IP	Threaded	3IP	5-1/8"
		4IP	5-5/8"

SUFFIXES			ADD
-FS	Flat Strainer (ZN)		N/C
-G	Galvanized Cast Iron		231.00
-HD	5-3/4" High Dome	ZRB	119.00
		ZN	152.00
-VP	Vandal-Proof Secured Top		83.00
-45	45° Side Outlet Body		N/C

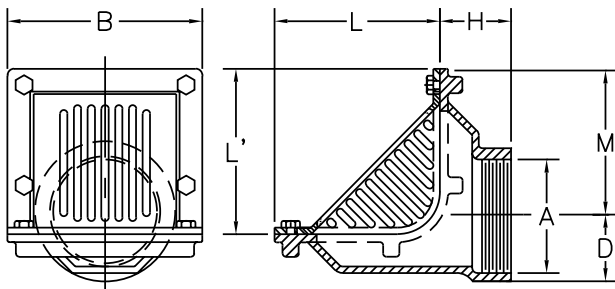
## Z187 6" X 7" OR 8" X 12" OBLIQUE SCUPPER DRAIN



### ENGINEERING SPECIFICATION

Zurn Z187 6" x 7" or 8" x 12" scupper drain features Dura-Coated cast iron body with reversible back or bottom outlet, oblique aluminum grate with 90° combination frame, and membrane flashing clamp.

Dimensions in inches [mm]					Grate Open Area sq in [cm <sup>2</sup> ]	Approximate Weight lb [kg]
A	B	H	L	M		
2 [51]	7-1/2 [191]	2-3/4 [70]	6-3/8 [162]	6-11/16 [170]	31 [200]	22 [10]
3 [76]				6-5/32 [156]		20 [9]
4 [102]	12-1/2 [318]	3-1/2 [89]	8-3/8 [213]	5-5/8 [143]	72 [465]	20 [9]
6 [152]				7-3/8 [187]		32 [15]
8 [203]				6-3/8 [162]		33 [15]



PREFIXES	DESCRIPTION	PIPE SIZE	LIST PRICE
Z187*	D.C.C.I. Body with Grate	2", 3", 4" 6", 8"	848.00 1,640.00
ZN187	D.C.C.I. Body with Polished Nickel Bronze Grate	2", 3", 4" 6", 8"	2,220.00 3,014.00

OUTLETS (SPECIFY PIPE SIZE IN INCHES AND TYPE OF OUTLET)			
OUTLET TYPE	OUTLET DESIGNATION (PIPE SIZE/OUTLET TYPE)	E BODY HT. DIM.	ADD
IP	Threaded	2IP, 3IP, 4IP	8-3/16"
		6IP, 8IP	11"

SUFFIXES			ADD
-BS	Bronze Mesh Screen Over Grate		728.00
-FG	Flush Grate	2", 3", 4" 6", 8"	Z, ZN 72.00
			ZN 594.00
-G	Galvanized Cast Iron	2", 3", 4" 6", 8"	334.00 656.00
-VP	Vandal-Proof Secured Top		83.00

BEST SELLERS		LIST PRICE
Z187-3IP		848.00
Z187-3NH		848.00
Z187-4IP		848.00
Z187-4NH		848.00
Z187-6NH		1,640.00
ZN187-6NH		3,014.00

For additional product information, please visit [www.zurn.com](http://www.zurn.com).  
Patent [zurn.com/patents](http://zurn.com/patents)

\*Regularly furnished unless otherwise specified.

Items designated as Best Sellers are most specified and are generally in stock for shipment.

Ⓢ This symbol denotes a product that is engineered to reduce installation and rework time.

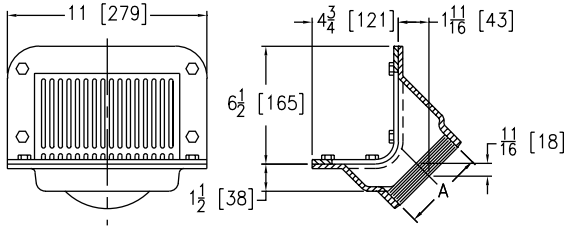
## Z189 5" X 6" X 11" SCUPPER DRAIN



### ENGINEERING SPECIFICATION

Zurn Z189 5" x 6" x 11" scupper drain features Dura-Coated cast iron body with 45° outlet and flush type aluminum strainer with combination aluminum frame and membrane flashing clamp.

A Pipe Size inches [mm]	Grate Open Area sq in [cm <sup>2</sup> ]	Approximate Weight lb [kg]
2 [51]	20 [129]	18 [8]
3 [76]		
4 [102]		



PREFIXES	DESCRIPTION	PIPE SIZE	LIST PRICE
Z189*	D.C.C.I. Body with Aluminum Grate	2", 3", 4"	973.00
ZB189	D.C.C.I. Body with Polished Bronze Grate	2", 3", 4"	1,963.00
ZN189	D.C.C.I. Body with Polished Nickel Bronze Grate	2", 3", 4"	2,418.00

OUTLETS (SPECIFY PIPE SIZE IN INCHES AND TYPE OF OUTLET)			
OUTLET TYPE		OUTLET DESIGNATION (PIPE SIZE/OUTLET TYPE)	ADD
IP	Threaded	2IP, 3IP, 4IP	N/C
NH	No-Hub (IP w/Z1040)	2NH, 3NH, 4NH	N/C
SUFFIXES			
			ADD
-G	Galvanized Cast Iron		334.00
-TS	Secured Top		83.00
-VP	Vandal-Proof Secured Top		83.00
-90	Threaded Side Outlet Body		N/C
BEST SELLERS			LIST PRICE
ZN189-3IP			2,418.00
Z189-4NH			973.00

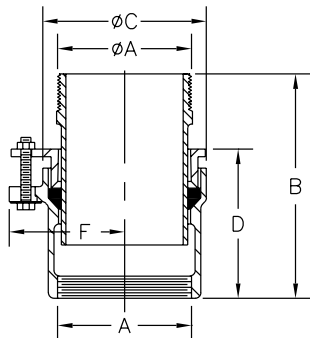
## Z190 VERTICAL EXPANSION JOINT



### ENGINEERING SPECIFICATION

Zurn ZRB190 vertical expansion joint features Dura-Coated cast iron body, packing gland, and siliconed bronze sleeve with preformed neoprene packing gasket.

Dimensions in inches [mm]						Approximate Weight lb [kg]
A	B		C	D	F	
	Min.	Max.				
2 [51]	6-1/2 [165]	8-1/2 [216]	3-5/8 [92]	5 [127]	2-3/4 [70]	8 [4]
3 [76]			4-5/8 [117]		3-1/4 [83]	11 [5]
4 [102]			5-1/2 [140]	4-3/4 [121]	3-3/4 [95]	13 [6]
6 [152]	6-7/8 [175]	8-5/8 [219]	7-7/8 [200]	5 [127]	5 [127]	25 [11]
8 [203]	7-7/8 [200]	10-7/8 [276]	9-7/8 [251]		6 [152]	35 [16]
10 [254]			11-3/4 [298]		6 [152]	6-7/8 [175]



PREFIXES	DESCRIPTION	PIPE SIZE	LIST PRICE
ZRB190*	D.C.C.I. Body with Polished Bronze Sleeve	2"	957.00
		3"	1,020.00
		4"	1,154.00
		6"	1,921.00
		8"	3,387.00
		10"	7,044.00

OUTLETS (SPECIFY PIPE SIZE IN INCHES AND TYPE OF OUTLET)				
OUTLET TYPE		OUTLET DESIGNATION (PIPE SIZE/OUTLET TYPE)	'D' BODY HT. DIM. (See Chart)	ADD
IP	Threaded	2IP, 3IP, 4IP, 6IP, 8IP, 10IP	(See Chart)	N/C
NH	No-Hub	2NH, 3NH, 4NH, 6NH, 8NH, 10NH	(See Chart)	N/C
SUFFIXES				ADD
-G	Galvanized Cast Iron			249.00
BEST SELLERS				LIST PRICE
ZRB190-4NH				1,154.00
ZRB190-8IP				3,387.00

\*Regularly furnished unless otherwise specified.

Items designated as Best Sellers are most specified and are generally in stock for shipment.

⌚ This symbol denotes a product that is engineered to reduce installation and rework time.

For additional product information, please visit [www.zurn.com](http://www.zurn.com).

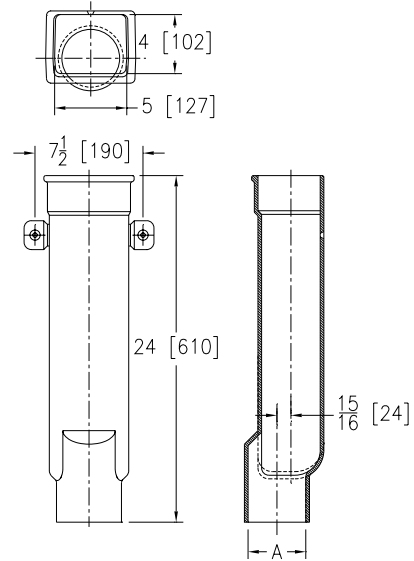
Patent [zurn.com/patents](http://zurn.com/patents)

## Z191 5" X 4" X 24" DOWNSPOUT BOOT



### ENGINEERING SPECIFICATION

Zurn Z191 5" x 4" x 24" downspout boot features Dura-Coated cast iron body and strap with 1/4" diameter cast holes for flat-head bolts.



Product Designation	Dimensions in inches [mm]		Approximate Weight lb [kg]
	Size	A	
-24	5 [127] x 4 [102] x 24 [610]	4 [102]	30 [14]

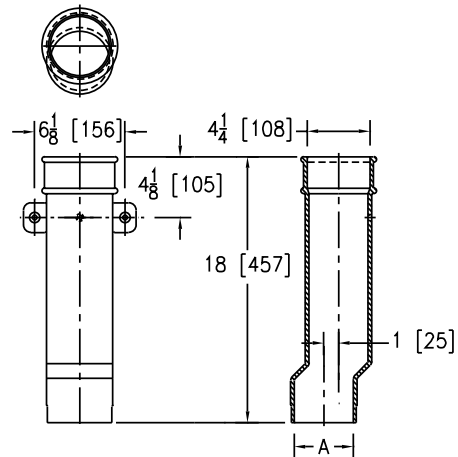
PREFIXES	DESCRIPTION	A PIPE SIZE	LIST PRICE
Z191*	D.C.C.I. Body	4"	1,902.00
OUTLETS (SPECIFY PIPE SIZE IN INCHES AND TYPE OF OUTLET)			
OUTLET TYPE	OUTLET DESIGNATION (PIPE SIZE/OUTLET TYPE)		ADD
NH	No-Hub	4NH	N/C
SUFFIXES			ADD
-CA	Cleanout Access with Plug		931.00
-G	Galvanized Cast Iron		1,330.00
BEST SELLERS			LIST PRICE
Z191-24			1,902.00
Z191-24-CA			2,833.00
Z191-24-G			3,232.00

## Z191-RD 4" X 18" DOWNSPOUT BOOT



### ENGINEERING SPECIFICATION

Zurn Z191-RD 4" x 18" downspout boot features Dura-Coated cast iron body, round inlet and outlet, and strap with 1/4" diameter cast holes for flat-head bolts.



Product Designation	Dimensions in inches [mm]		Approximate Weight lb [kg]
	Size	A	
-18	4 [102] x 18 [457]	4 [102]	20 [9]

PREFIXES	DESCRIPTION	A PIPE SIZE	LIST PRICE
Z191-RD*	D.C.C.I. Body	4"	1,319.00
OUTLETS (SPECIFY PIPE SIZE IN INCHES AND TYPE OF OUTLET)			
OUTLET TYPE	OUTLET DESIGNATION (PIPE SIZE/OUTLET TYPE)		ADD
NH	No-Hub	4NH	N/C
SUFFIXES			ADD
-CA	Cleanout Access with Plug		931.00
-G	Galvanized Cast Iron		1,330.00
BEST SELLERS			LIST PRICE
Z191-RD-18			1,319.00
Z191-RD-18-CA			2,250.00

## Z192 4" X 3" DOWNSPOUT BOOT



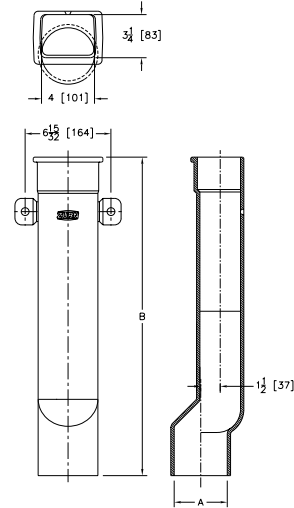
### ENGINEERING SPECIFICATION

Zurn Z192 4" x 3" downspout boot features Dura-Coated cast iron body and strap with 1/4" diameter cast holes for flat head bolts.

Product Designation	Dimensions in inches [mm]			Approximate Weight lb [kg]
	Size	A	B	
-12	4 [102] x 3 [76] x 12 [305]		12 [305]	14 [6]
-18	4 [102] x 3 [76] x 18 [457]	4 [102]	18 [457]	20 [9]
-24	4 [102] x 3 [76] x 24 [610]		24 [610]	27 [12]

PREFIXES	DESCRIPTION	PRODUCT DESIGNATION	LIST PRICE
Z192*	D.C.C.I. Body	-12	908.00
		-18	1,194.00
		-24	2,127.00

OUTLETS (SPECIFY PIPE SIZE IN INCHES AND TYPE OF OUTLET)			
OUTLET TYPE		OUTLET DESIGNATION (PIPE SIZE/OUTLET TYPE)	ADD
NH	No Hub	4NH	N/C
SUFFIXES			
			ADD
-CA	Cleanout Access with Plug		931.00
-G	Galvanized Cast Iron		724.00



BEST SELLERS	LIST PRICE
Z192-12	908.00
Z192-12-CA	1,839.00
Z192-18	1,194.00
Z192-18-CA	2,125.00
Z192-24	2,127.00
Z192-24-CA	3,058.00

## Z193 VANDAL-PROOF HOODED VENT CAP



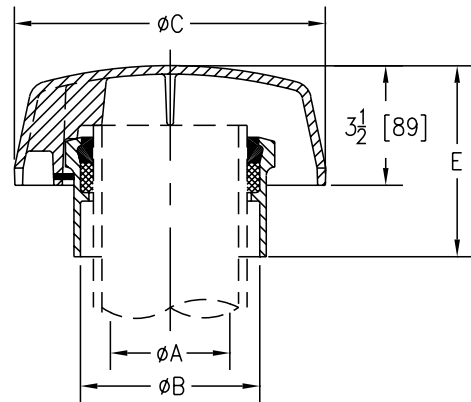
### ENGINEERING SPECIFICATION

Zurn Z193 vandal-proof vent cap features Dura-Coated cast iron body and hooded dome cap, vandal-proof securing device.

Dimensions in inches [mm]			Open Area Sq.	Approximate Weight lb [kg]
A	B	C		
1-1/2 [38], 2 [51]	3-1/8 [79]	6-3/8 [162]	2 : 1	9 [4]
3 [76]	4-3/16 [106]	7-5/8 [194]		12 [5]
4 [102]	5-1/4 [133]	9-1/8 [232]		14 [6]
5 [127]	6-3/16 [157]	10-1/8 [257]		16 [7]
6 [152]	7-3/16 [183]	11-5/8 [295]		18 [8]

PREFIXES	DESCRIPTION	PIPE SIZE	LIST PRICE
Z193*	D.C.C.I. Body and Dome Cap	1-1/2", 2"	605.00
		3"	684.00
		4"	763.00
		5"	895.00
		6"	977.00

OUTLETS (SPECIFY PIPE SIZE IN INCHES AND TYPE OF OUTLET)				
OUTLET TYPE		OUTLET DESIGNATION (PIPE SIZE/OUTLET TYPE)	E BODY HT. DIM.	ADD
IC	Inside Caulk	1.5IC, 2IC	5-11/16"	N/C
		3IC, 4IC, 5IC, 6IC	5-9/16"	N/C
SUFFIXES				ADD
-G	Galvanized Cast Iron			236.00



BEST SELLERS	LIST PRICE
Z193-2IC	605.00
Z193-3IC	684.00
Z193-4IC	763.00

\*Regularly furnished unless otherwise specified.

Items designated as Best Sellers are most specified and are generally in stock for shipment.

⌚ This symbol denotes a product that is engineered to reduce installation and rework time.

For additional product information, please visit [www.zurn.com](http://www.zurn.com).

Patent [zurn.com/patents](http://zurn.com/patents)



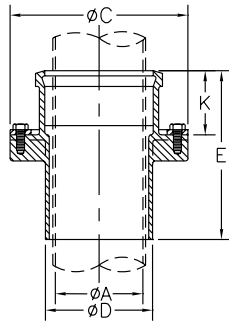
## Z195 VENT STACK FLASHING SLEEVE



### ENGINEERING SPECIFICATION

Zurn Z195 vent stack flashing sleeve features Dura-Coated cast iron body with fixed position combination membrane flashing flange and clamp.

Dimensions in inches [mm]				Approximate Weight lb [kg]
A	C	D	K	
2 [51]	6-1/2 [165]	3-1/8 [79]	3 [76]	11 [5]
3 [76]		4-1/4 [108]	3-1/8 [79]	13 [6]
4 [102]	8-1/2 [216]	5-1/4 [133]		18 [8]
5 [127]	9-1/2 [241]	6-1/2 [165]	2-1/2 [64]	20 [9]
6 [152]	10-1/2 [267]	7-1/2 [191]	3-1/8 [79]	26 [12]
8 [203]	14-1/2 [368]	9-3/4 [248]	2-3/4 [70]	52 [24]



PREFIXES	DESCRIPTION	PIPE SIZE	LIST PRICE	
Z195*	D.C.C.I. Body	2"	474.00	
		3", 4"	771.00	
		5", 6"	1,403.00	
		8"	1,632.00	
OUTLETS (SPECIFY PIPE SIZE IN INCHES AND TYPE OF OUTLET)				
OUTLET TYPE	OUTLET DESIGNATION (PIPE SIZE/OUTLET TYPE)	E BODY HT. DIM.	ADD	
IC	Inside Caulk	2IC	8"	N/C
		3IC, 4IC, 6IC	8-1/8"	N/C
		5IC	8-1/2"	N/C
		8IC	8-3/4"	N/C
SUFFIXES				
			ADD	
-CF	Bottom Clamping Flange	D.C.	2" thru 6"	197.00
			8"	367.00
		Galv.	2" thru 6"	276.00
			8"	500.00
-G	Galvanized Cast Iron			366.00

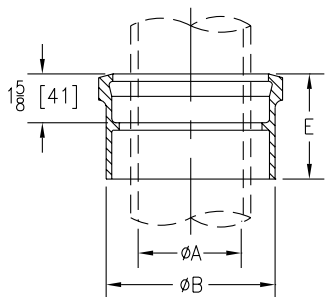
## Z196 VENT STACK FLASHING SLEEVE



### ENGINEERING SPECIFICATION

Zurn Z196 vent stack flashing sleeve features Dura-Coated cast iron body, inside caulk type.

Dimensions in inches [mm]		Approximate Weight lb [kg]
A	B	
1-1/2 [38]	3 [76]	2 [10]
2 [51]	3-1/2 [89]	3 [1]
3 [76]	4-3/4 [121]	4 [2]
4 [102]	5-5/8 [143]	
6 [152]	7-3/4 [197]	7 [3]



PREFIXES	DESCRIPTION	PIPE SIZE	LIST PRICE	
Z196*	D.C.C.I. Body	1-1/2", 2"	93.00	
		3"	301.00	
		4"	183.00	
		6"	461.00	
OUTLETS (SPECIFY PIPE SIZE IN INCHES AND TYPE OF OUTLET)				
OUTLET TYPE	OUTLET DESIGNATION (PIPE SIZE/OUTLET TYPE)	E BODY HT. DIM.	ADD	
IC	Inside Caulk	1.5C, 2IC, 3IC, 4IC, 6IC	3-1/2"	N/C
SUFFIXES				
			ADD	
-G	Galvanized Cast Iron			115.00

## Z197 RISER SLEEVE



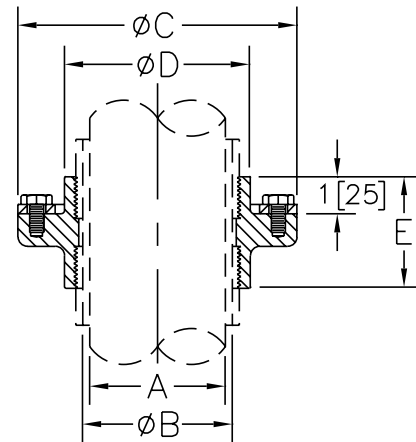
### ENGINEERING SPECIFICATION

Zurn Z197 riser sleeve features Dura-Coated cast iron body, double threaded pipe connector with combination membrane flashing flange. (Pipe sleeve furnished by others.)

Dimensions in inches [mm]					Approximate Weight lb [kg]
A	B	C	D	E	
1-1/2 [38]	2-1/2 [64]	6-1/2 [165]	4 [102]	2-3/4 [70]	6 [3]
2 [51]	3 [76]				7 [3]
3 [76]	4 [102]				9 [4]
4 [102]	5 [127]	8-1/2 [216]	6 [152]	3-1/4 [83]	10 [5]
5 [127]	6 [152]	9-1/2 [241]	7-1/8 [181]	3-3/8 [86]	13 [6]
6 [152]	8 [203]	11-7/8 [302]	9-3/8 [238]	3-5/8 [92]	19 [9]

PREFIXES	DESCRIPTION	PIPE SIZE	LIST PRICE
Z197*	D.C.C.I. Body	1-1/2"	609.00
		2", 3"	642.00
		4"	891.00
		5"	908.00
		6"	1,287.00

OUTLETS (SPECIFY PIPE SIZE IN INCHES AND TYPE OF OUTLET)			
OUTLET TYPE	OUTLET DESIGNATION (PIPE SIZE/OUTLET TYPE)		ADD
IP	Threaded	1.5IP, 2IP, 3IP, 4IP, 5IP, 6IP	N/C
SUFFIXES			
SUFFIXES			ADD
-G	Galvanized Cast Iron		343.00



## Z198 PARAPET SCUPPER SLEEVE



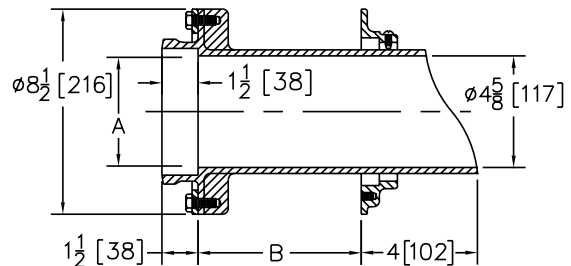
### ENGINEERING SPECIFICATION

Zurn Z198 parapet scupper sleeve features Dura-Coated cast iron body with fixed position combination membrane flashing flange and clamp and parapet wall face closing.

Product Designation	Dimensions in inches [mm]		Approximate Weight lb [kg]
	A Pipe Size	B Wall Thickness	
-8	4 [102]	8-1/2 [216]	26 [12]
-11		11 [279]	29 [13]
-13		13-1/2 [343]	31 [14]
-17		17-1/2 [445]	35 [16]
-22		22-1/2 [572]	40 [18]

PREFIXES	DESCRIPTION	PRODUCT DESIGNATION	LIST PRICE
Z198*	D.C.C.I. Body	-8, -11	1,356.00
		-13	2,931.00
		-17	1,900.00
		-22	2,029.00

OUTLETS (SPECIFY PIPE SIZE IN INCHES AND TYPE OF OUTLET)			
OUTLET TYPE	OUTLET DESIGNATION (PIPE SIZE/OUTLET TYPE)		ADD
HB	Hub	4HB	N/C
SUFFIXES			
SUFFIXES			ADD
-G	Galvanized Cast Iron		322.00



\*Regularly furnished unless otherwise specified.

Items designated as Best Sellers are most specified and are generally in stock for shipment.

⌚ This symbol denotes a product that is engineered to reduce installation and rework time.

For additional product information, please visit [www.zurn.com](http://www.zurn.com).

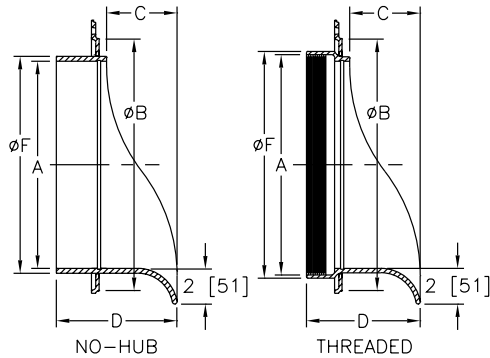
Patent [zurn.com/patents](http://zurn.com/patents)

# Z199 DOWNSPOUT NOZZLE



## ENGINEERING SPECIFICATION

Zurn ZANB199 downspout nozzle features all nickel bronze body, optional threaded or no-hub inlet and decorative face of wall flange and outlet nozzle.



PREFIXES	DESCRIPTION	PIPE SIZE	LIST PRICE
ZANB199*	All Nickel Bronze Body	2", 3", 4"	1,476.00
		5", 6"	2,650.00
		8"	3,623.00
		10"	4,732.00
		12"	5,854.00
ZARB199	All Plain Bronze Body	2", 3", 4"	865.00
		5", 6"	2,041.00
		8"	3,087.00
		10"	4,008.00
		12"	5,042.00

OUTLETS (SPECIFY PIPE SIZE IN INCHES AND TYPE OF OUTLET)			
OUTLET TYPE	OUTLET DESIGNATION (PIPE SIZE/OUTLET TYPE)		ADD
IP	Threaded	2IP, 3IP, 4IP, 5IP, 6IP, 8IP, 10IP, 12IP	N/C
PVC	IP Threaded	2PVC, 3PVC, 4PVC, 5PVC, 6PVC, 8PVC, 10PVC, 12PVC	N/C
NH	No-Hub	2NH, 3NH, 4NH, 5NH, 6NH, 8NH, 10NH, 12NH	N/C
SUFFIXES			ADD
-SS	Removable Stainless Screen		758.00

Dimensions in inches [mm]							Approximate Weight lb [kg]
A	B	C	D		F		
			IP/PVC	NH	IP/PVC	NH	
2 [51]	4-1/2 [114]	2-5/8 [67]	4-1/2 [114]	4-1/2 [114]	2-13/16 [71]	2-3/8 [60]	5 [2]
3 [76]	5-1/2 [140]	2-5/8 [67]			3-15/16 [100]	3-3/8 [86]	6 [3]
4 [102]	6-5/8 [168]	2-43/64 [68]			4-15/16 [125]	4-3/8 [111]	7 [3]
5 [127]	7-5/8 [194]	3-1/16 [78]	4-59/64 [125]	5-15/32 [139]	6-1/16 [154]	5-5/16 [135]	12 [5]
6 [152]	8-5/8 [219]	3-3/32 [79]			7-1/8 [181]	6-5/16 [160]	13 [6]
8 [203]	10-5/8 [270]	2-31/32 [75]			5-25/32 [147]	8-3/8 [213]	14 [6]
10 [254]	12-5/8 [321]	3-1/2 [89]	5-53/64 [148]	6-5/16 [160]	11-5/32 [283]	10-9/16 [268]	15 [7]
12 [305]	14-5/8 [371]	4-5/64 [104]	6-13/32 [163]	6-57/64 [175]	13-5/32 [334]	12-1/2 [318]	18 [8]

BEST SELLERS	LIST PRICE
ZANB199-10IP	4,732.00
ZANB199-10NH	4,732.00
ZANB199-10-PVC	4,732.00
ZANB199-12NH	5,854.00
ZANB199-2IP	1,476.00
ZANB199-3IP	1,476.00
ZANB199-3NH-SS	2,234.00
ZANB199-3-PVC	1,476.00
ZANB199-4IP	1,476.00
ZANB199-4IP-SS	2,234.00
ZANB199-4NH-SS	2,234.00
ZANB199-4-PVC	1,476.00
ZANB199-6IP	2,650.00
ZANB199-6NH	2,650.00
ZANB199-6NH-SS	3,408.00
ZANB199-6-PVC	2,650.00
ZANB199-8IP	3,623.00

BEST SELLERS	LIST PRICE
ZANB199-8IP-SS	4,381.00
ZANB199-8NH	3,623.00
ZANB199-8-PVC	3,623.00
ZARB199-10NH	4,008.00
ZARB199-12NH-SS	5,800.00
ZARB199-12-PVC	5,042.00
ZARB199-2IP	865.00
ZARB199-3IP	865.00
ZARB199-3NH-SS	1,623.00
ZARB199-3-PVC	865.00
ZARB199-4IP	865.00
ZARB199-4IP-SS	1,623.00
ZARB199-4-PVC	865.00
ZARB199-4-PVC-SS	1,623.00
ZARB199-5IP	2,041.00
ZARB199-6IP	2,041.00
ZARB199-6-PVC	2,041.00

For additional product information, please visit [www.zurn.com](http://www.zurn.com).  
Patent [zurn.com/patents](http://zurn.com/patents)

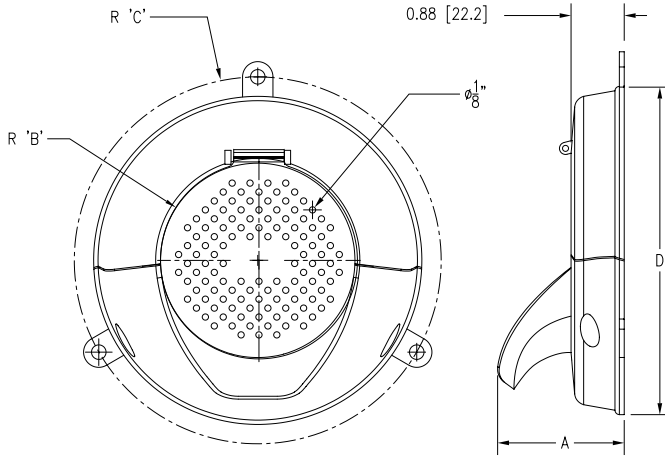
\*Regularly furnished unless otherwise specified.  
Items designated as Best Sellers are most specified and are generally in stock for shipment.  
Ⓞ This symbol denotes a product that is engineered to reduce installation and rework time.

# ZF199 CHAMELEON DOWNSPOUT NOZZLE WITH FLAPPER



## ENGINEERING SPECIFICATION

Downspout nozzle, all aluminum body, downspout gasket for cast iron or PVC inlet with powder coated face of wall flange, outlet nozzle, and perforated hinged flapper.



PREFIXES	DESCRIPTION	PIPE SIZE	LIST PRICE
ZF199	All Aluminum Body*	2" (Less Flapper)	1,617.00
		3"	1,617.00
		4"	1,617.00
		6"	2,793.00
		8"	3,841.00
		10"	4,761.00

COLORS (MUST SPECIFY COLOR)		ADD
-BW	Bone White Powder Coating	N/C
-JB	Jet Black Powder Coating	N/C
-MB	Medium Bronze Powder Coating	N/C
-SAN	Sandstone Powder Coating	N/C
-SGR	Satin Gray Powder Coating	N/C

Pipe Size	Dimensions in inches [mm]				Approximate Weight lb [kg]
	A	B	C	D	
2 [51]	2.5 [6.4]	1 [2.5]	2.7 [69]	5.31 [135]	0.51 [0.23]
3 [76]	2.5 [6.4]	1.5 [38]	3.27 [83]	5.75 [146]	1.07 [0.49]
4 [102]	2.5 [6.4]	2 [51]	3.77 [96]	6.75 [171]	1.11 [0.50]
6 [152]	2.5 [6.4]	3 [76]	4.77 [121]	8.75 [222]	1.75 [0.79]
8 [203]	2.5 [6.4]	4 [102]	5.84 [148]	10.85 [275]	2.53 [1.15]
10 [254]	2.5 [6.4]	5 [127]	6.90 [175]	13.71 [348]	3.21 [1.46]

\*Regularly furnished unless otherwise specified.

Items designated as Best Sellers are most specified and are generally in stock for shipment.

⌚ This symbol denotes a product that is engineered to reduce installation and rework time.

For additional product information, please visit [www.zurn.com](http://www.zurn.com).

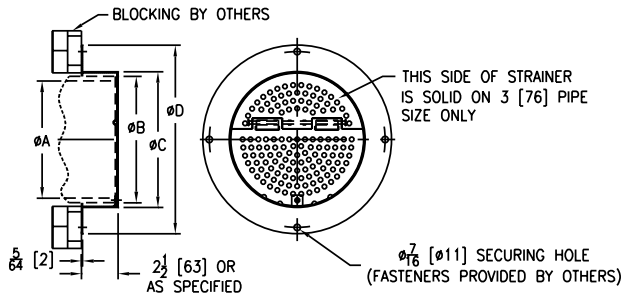
Patent [zurn.com/patents](http://zurn.com/patents)

## Z199-DC DOWNSPOUT COVER



### ENGINEERING SPECIFICATION

Zurn ZS199-DC downspout cover features round fabricated stainless steel frame with fabricated, secured, perforated, stainless steel hinged strainer.



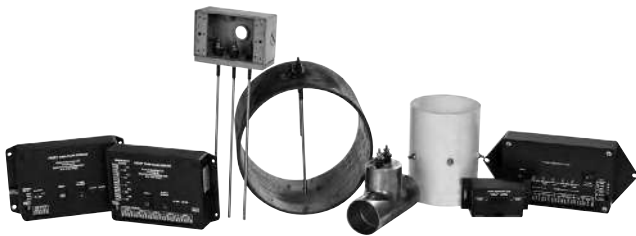
PREFIXES	DESCRIPTION	PIPE SIZE	LIST PRICE
ZS199-DC*	Type 304 Stainless Steel	3"	3,975.00
		4"	3,975.00
		6"	4,192.00
		8"	4,399.00
		10"	4,655.00
		12"	4,931.00
		15"	5,215.00

SUFFIXES	ADD		
-CP	Chrome Plated		704.00
-VP	Vandal Proof Secured Top		207.00
-5	5" Long Downspout Frame	3"	N/C
		4"	N/C
		6"	6,828.00
		8"	8,194.00
		10"	8,194.00
		12"	8,194.00
		15"	8,194.00

BEST SELLERS	LIST PRICE
ZS199-3-DC	3,975.00
ZS199-4-DC	3,975.00
ZS199-6-DC	4,192.00
ZS199-10-DC	4,655.00
ZS199-12-DC	4,931.00

Dimensions in inches [mm]				Strainer Open Area sq in [cm <sup>2</sup> ]
A	B	C	D	
3 [76]	3-1/2 [89]	4-1/4 [108]	7-7/8 [200]	1-1/2 [9.7]
4 [102]	4-1/2 [114]	5-5/32 [131]	8-3/4 [222]	3-5/16 [21]
6 [152]	6-5/8 [168]	7-1/4 [184]	10-7/8 [276]	5-1/2 [35]
8 [203]	8-5/8 [219]	9-1/4 [235]	12-7/8 [327]	10-5/16 [67]
10 [254]	10-3/4 [273]	11-3/8 [289]	15 [381]	17-13/16 [50]
12 [305]	12-3/4 [324]	13-3/8 [340]	17 [432]	27 [174]
15 [381]	15-7/8 [403]	16-1/2 [419]	20-1/8 [511]	43-5/16 [279]

## ZF7000 FLOW SENSOR

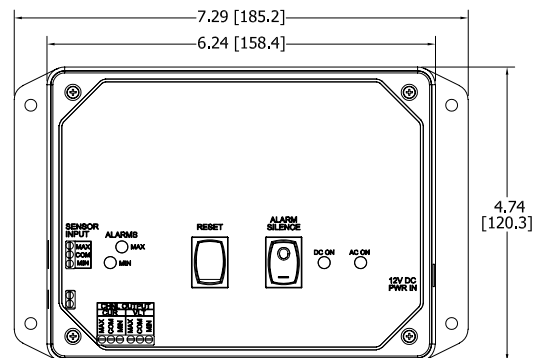
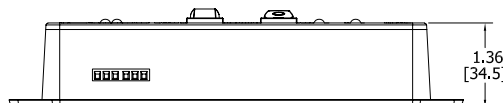


PREFIXES	DESCRIPTION	LIST PRICE
ZF7001	Single Channel Flow Sensor Control Module	2,125.00
ZF7005	5 Channel Flow Sensor Control Module	3,385.00
SUFFIXES	ADD	
-BMS	Building Management System for Flow Sensor(s)	5,323.00

Approximate Weight oz [g]
9.4 [265]

### ENGINEERING SPECIFICATION

Froet™ flow sensor. Indication of a primary system blockage or excessive flow through the outlet pipe. Outputs are current or voltage that will provide for connection to building management systems or control valve actuators. Power is supplied to the unit from a 120 volt to 12 volt plug in transformer included with the sensor.



For additional product information, please visit [www.zurn.com](http://www.zurn.com).  
 Patent [zurn.com/patents](http://zurn.com/patents)

\*Regularly furnished unless otherwise specified.

Items designated as Best Sellers are most specified and are generally in stock for shipment.

Ⓞ This symbol denotes a product that is engineered to reduce installation and rework time.

# FLOOR DRAINS

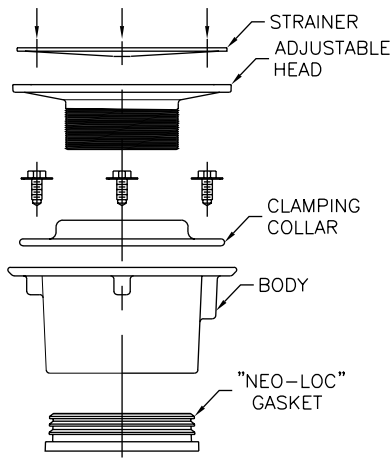
FLOOR DRAINS - GENERAL INFORMATION	55	⌚ <b>Z415-BZ1</b> BODY ASSEMBLY W/ "TYPE B" STRAINER AND EZI™ TECHNOLOGY	73
FLOOR DRAINS - APPLICATION INDEX	55	⌚ <b>Z415-SZ1</b> BODY ASSEMBLY W/ "TYPE S" STRAINER AND EZI™ TECHNOLOGY	74
CAST IRON EZI™ NOMENCLATURE DECODER	56	⌚ <b>Z415-BZ1-DP</b> BODY ASSEMBLY W/ "TYPE B" STRAINER, DECK PLATE AND EZI™ TECHNOLOGY	75
<b>Z300</b> THOROFLUSH DRAIN	57	⌚ <b>Z415-SZ1-DP</b> BODY ASSEMBLY W/ "TYPE S" STRAINER, DECK PLATE AND EZI™ TECHNOLOGY	76
<b>Z310</b> THOROFLUSH DRAIN	57	⌚ <b>Z415B-DP</b> BODY ASSEMBLY W/ "TYPE B" STRAINER AND DECK PLATE	77
<b>Z315</b> VANDAL-PROOF ACCESS DRAIN	58	⌚ <b>Z415S-DP</b> BODY ASSEMBLY W/ "TYPE S" STRAINER AND DECK PLATE	78
<b>Z319</b> THOROFLUSH DRAIN - LARGE CAPACITY	58	<b>Z415</b> BODY ASSEMBLY WITH HEEL-PROOF "TYPE B" STRAINER	79
<b>Z320</b> REFRIGERATOR DRAIN	59	<b>ZS415</b> BODY ASSEMBLY WITH "TYPE BS" STRAINER	80
<b>Z325</b> INDIRECT WASTE FUNNEL WITH INTEGRAL BACKWATER VALVE	59	<b>Z415</b> BODY ASSEMBLY WITH "TYPE BL" STRAINER	81
<b>Z326</b> INDIRECT WASTE FUNNEL	60	<b>Z415</b> BODY ASSEMBLY WITH "TYPE C" STRAINER	82
<b>Z328</b> FUNNEL CONVERTING ASSEMBLY	60	<b>Z415</b> BODY ASSEMBLY WITH "TYPE E" STRAINER	83
<b>Z329</b> FUNNEL CONVERTING ASSEMBLY	61	<b>Z415</b> BODY ASSEMBLY WITH "TYPE G" STRAINER	84
<b>Z349</b> TERRACE PLANTING AREA DRAIN	61	<b>Z415</b> BODY ASSEMBLY WITH "TYPE H" STRAINER	85
<b>Z350</b> PLANTING AREA DRAIN	62	<b>Z415</b> BODY ASSEMBLY WITH "TYPE I" STRAINER	86
<b>Z355</b> PRISON CELL FLOOR DRAIN	62	<b>Z415</b> BODY ASSEMBLY WITH "TYPE J" HEEL-PROOF STRAINER	87
<b>Z400</b> "TYPE B" ROUND STRAINER WITH HEEL-PROOF SQUARE OPENINGS	63	<b>Z415</b> BODY ASSEMBLY WITH "TYPE K" STRAINER	88
<b>ZS400</b> "TYPE BS" ROUND STRAINER WITH SLOTTED OPENINGS	63	<b>Z415</b> BODY ASSEMBLY WITH "TYPE M" STRAINER AND SUR-SET BUCKET	89
<b>Z400</b> "TYPE BL" ROUND STRAINER WITH DEX-O-TEX FLANGE	64	<b>Z415</b> BODY ASSEMBLY WITH "TYPE N" STRAINER	90
<b>Z400</b> "TYPE C" ROUND HINGED STRAINER	64	<b>Z415</b> BODY ASSEMBLY WITH "TYPE S" STRAINER	91
<b>Z400</b> "TYPE E" ROUND STRAINER WITH INTEGRAL FUNNEL	65	<b>ZS415</b> BODY ASSEMBLY WITH "TYPE SS" STRAINER	92
<b>Z400</b> "TYPE G" ROUND STRAINER WITH DOME	65	<b>Z415</b> BODY ASSEMBLY WITH "TYPE SC" STRAINER	93
<b>Z400</b> "TYPE H" ROUND STRAINER WITH CLAMP DEVICE	66	<b>Z415</b> BODY ASSEMBLY WITH "TYPE SH" STRAINER	94
<b>Z400</b> "TYPE I" ROUND STRAINER WITH RAISED LIP	66	<b>Z420</b> DEEP SHANK FLOOR AND SHOWER DRAIN FOR MARBLE AND GRANITE APPLICATIONS	95
<b>Z400</b> "TYPE J" RECTANGULAR STRAINER WITH HEEL-PROOF SLOTTED OPENINGS	67	<b>Z450</b> DRUM TRAP DRAIN WITH "TYPE B" STRAINER	96
<b>Z400</b> "TYPE K" ANGULAR STRAINER	67	<b>Z451</b> SHALLOW TRAP DRAIN WITH "TYPE B" STRAINER	97
<b>Z400</b> "TYPE M" ROUND STRAINER WITH SLOTTED OPENINGS AND SUR-SET BUCKET	68	<b>Z453</b> DEEP SEAL TRAP DRAIN WITH "TYPE B" STRAINER	98
<b>Z400</b> "TYPE N" ROUND STRAINER WITH DEEP FLANGED GRATE	68	<b>Z455</b> TRAP DRAIN WITH FLOOR CLEANOUT WITH "TYPE B" STRAINER	99
<b>Z400</b> "TYPE S" SQUARE STRAINER	69	<b>Z456</b> DEEP SEAL TRAP DRAIN WITH FLOOR CLEANOUT AND CLAMP COLLAR WITH "TYPE B" STRAINER	100
<b>ZS400</b> "TYPE SS" SQUARE STRAINER	69	<b>Z460B</b> SHALLOW BODY FLOOR DRAIN WITH SIDE OUTLET AND "TYPE B" STRAINER	101
<b>Z400</b> "TYPE SC" SQUARE STRAINER WITH SOLID HINGED COVER	70	<b>Z461</b> 6" SQUARE MODULAR NON-ADJUSTABLE FLOOR DRAIN WITH CLAMPING FRAME	102
<b>Z400</b> "TYPE SH" SQUARE HINGED STRAINER	70	<b>Z503</b> 15" HEAVY-DUTY AREA DRAIN	102
⌚ <b>Z400-SR</b> FLOOR DRAIN STABILIZER RING	71	<b>Z505</b> 12" HEAVY-DUTY DRAIN	103
<b>Z400-U</b> ADJUSTABLE STRAINER EXTENSION	71		
⌚ <b>Z400-18</b> LEVELING RING	71		
⌚ <b>Z499B</b> ROUND PROTECTIVE COVER FOR FLOOR DRAINS	72		
⌚ <b>Z499S</b> SQUARE PROTECTIVE COVER FOR FLOOR DRAINS	72		

<b>Z507</b> 7" MEDIUM-DUTY DRAIN	<b>104</b>	<b>Z550</b> 9" DIAMETER MEDIUM-DUTY DRAIN	<b>121</b>
<b>Z508</b> 9" EXTRA-HEAVY-DUTY DRAIN	<b>105</b>	<b>Z551</b> 9" DIAMETER MEDIUM-DUTY DRAIN	<b>122</b>
<b>Z509</b> 12-1/4" HEAVY-DUTY DRAIN	<b>106</b>	<b>Z554</b> 9" MEDIUM-DUTY DRAIN WITH SUR-SET BUCKET	<b>123</b>
<b>Z511</b> 9" HEAVY-DUTY DRAIN	<b>107</b>	<b>Z556</b> 8" ADJUSTABLE HEAVY-DUTY DRAIN	<b>123</b>
<b>Z512</b> 12-1/4" HEAVY-DUTY DRAIN	<b>108</b>	<b>Z566</b> 12" SQUARE OPEN TOP DRAIN	<b>124</b>
<b>Z513</b> 9" SQUARE HINGED HEAVY-DUTY DRAIN	<b>109</b>	<b>Z575</b> 6" X 12" MEDIUM-DUTY GUTTER DRAIN	<b>124</b>
<b>Z520</b> 9-1/4" ADJUSTABLE HEAVY-DUTY DRAIN	<b>110</b>	<b>Z609</b> 9" SQUARE HEAVY-DUTY DRAIN	<b>125</b>
<b>Z521</b> 12-1/4" DIAMETER ADJUSTABLE HEAVY-DUTY DRAIN	<b>111</b>	<b>Z610</b> 12-1/2" HEAVY-DUTY DRAIN	<b>126</b>
<b>Z526</b> 12-1/4" ADJUSTABLE HEAVY-DUTY DRAIN	<b>112</b>	<b>Z611</b> 9" MEDIUM-DUTY DRAIN	<b>127</b>
<b>Z530</b> 9" MEDIUM-DUTY WIDE FLANGE DECK DRAIN	<b>112</b>	<b>Z624</b> ISOLATION DECK DRAIN	<b>128</b>
<b>Z531</b> 9" ADJUSTABLE FRAME WIDE FLANGE MEDIUM-DUTY DECK DRAIN	<b>113</b>	<b>Z625</b> ADJUSTABLE ISOLATION DECK DRAIN	<b>128</b>
<b>Z532</b> 12-1/4" DIAMETER WIDE FLANGE HEAVY-DUTY FLOOR DRAIN	<b>113</b>	<b>Z627</b> HEAVY-DUTY ADJUSTABLE ISOLATION DECK DRAIN	<b>129</b>
<b>Z533</b> 9" DIAMETER HEAVY-DUTY PARKING DECK DRAIN WITH SUPPORT FLANGE	<b>114</b>	<b>Z629</b> VERTICAL WALL DRAIN WITH BACKWATER VALVE	<b>130</b>
<b>Z534</b> 12-1/4" DIAMETER HEAVY-DUTY PARKING DECK DRAIN WITH SUPPORT FLANGE	<b>114</b>	<b>Z645</b> 12-1/2" X 12-1/2" HEAVY-DUTY DRAIN	<b>131</b>
<b>Z535</b> HEAVY-DUTY PARKING STRUCTURE DRAIN	<b>115</b>	<b>Z662</b> 16" HEAVY-DUTY DRAIN	<b>132</b>
<b>Z536</b> 15-3/8" DIAMETER HEAVY-DUTY PARKING DECK DRAIN WITH SUPPORT FLANGE	<b>115</b>	<b>Z662-HF</b> 16" HEAVY-DUTY DRAIN WITH HIGH FLOW DUCTILE IRON GRATE	<b>133</b>
<b>Z537</b> 15-7/8" SQUARE TOP HEAVY-DUTY PARKING DECK DRAIN WITH SUPPORT FLANGE	<b>116</b>	<b>Z664</b> 6" WIDE HEAVY-DUTY MODULAR TRENCH DRAIN	<b>134</b>
<b>Z539</b> 12-1/4" HEAVY-DUTY DRAIN WITH DEEP SUMP	<b>116</b>	<b>Z665</b> 12" WIDE HEAVY-DUTY MODULAR TRENCH DRAIN	<b>135</b>
<b>Z540</b> 12-1/4" MEDIUM-DUTY DRAIN WITH SUR-SET BUCKET	<b>117</b>	<b>Z667</b> 6" WIDE MEDIUM-DUTY MODULAR TRENCH DRAIN	<b>136</b>
<b>Z541</b> 12-1/4" DIAMETER HEAVY-DUTY DRAIN	<b>118</b>	<b>Z668</b> 11-1/4" X 19-1/4" HEAVY-DUTY DRAIN	<b>136</b>
<b>Z545</b> 16" DIAMETER HEAVY-DUTY DRAIN	<b>119</b>	<b>Z673</b> 29" X 30" EXTRA HEAVY-DUTY DRAIN	<b>137</b>
<b>Z546</b> 21-1/2" DIAMETER EXTRA HEAVY-DUTY DRAIN	<b>120</b>	<b>Z675</b> 13-1/2" EXTRA HEAVY-DUTY DRAIN	<b>138</b>
<b>Z547</b> 21" DIAMETER EXTRA HEAVY-DUTY HEEL-PROOF PARKING DECK DRAIN WITH SUPPORT FLANGE	<b>120</b>	<b>Z676</b> 13-1/2" EXTRA HEAVY-DUTY DRAIN	<b>138</b>
		<b>Z730</b> 9" TOP MEDIUM-DUTY DRAIN	<b>139</b>
		<b>Z742</b> LIGHT-DUTY TRAP DRAIN	<b>140</b>
		<b>VP-DRIVER</b> VANDAL-PROOF DRIVER	<b>140</b>

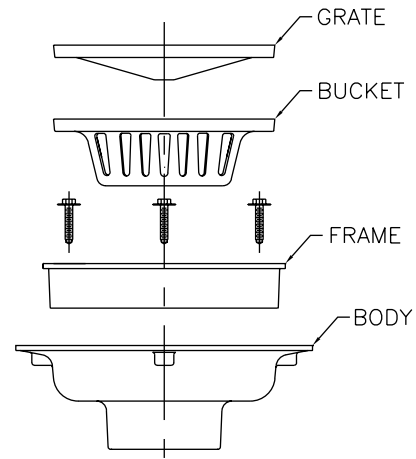
## FLOOR DRAINS - GENERAL INFORMATION

Zurn floor drains are generally made up of a body, combination frame/clamp collar and top grate. The assemblies shown below illustrate the more common components utilized in floor drains.

Zurn floor drains are available in 2" through 10" outlet sizes (and 12" for specific drains and outlet type) with Inside Caulk, Threaded, No-Hub and Neo-Loc connections.



Z415 "Type B" Illustrated



Z541 Illustrated

## FLOOR DRAINS - APPLICATION INDEX

The Zurn floor drains below are recommended for the applications listed. Most Zurn floor drains can be readily adapted for use in finished areas by using bronze or nickel bronze grates and strainers. (Use Prefix "ZB" or "ZN" preceding the product number in place of the usual "Z" Prefix.)

APPLICATION	RECOMMENDED FLOOR DRAIN
Automobile Parking Area	Z533, Z534, Z535, Z536, Z537, Z541, Z546, Z547, Z662, Z662-HF
Basement and Subterranean Areas	Z566, Z730
Boiler House and Maintenance Areas	Z541-90, Z546, Z645
Clinical, Surgical, Detention Areas	Z300, Z310, Z315, Z319, Z461
Entrances and Concourses	Z664, Z665, Z667
Finished Area/Gutter	Z460B, Z575
Finished Interior Floor Areas Adjustable	Z415-BZ1, Z415-SZ1, Z415-BZ1-DP, Z415-SZ1-DP, Z415B-DP, Z415S-DP, ZN415, ZS415, ZN450, Z451B, ZN453, ZN455, ZN456, Z460B, Z461
Finished Interior Floor Areas Adjustable with EZ1™ Technology (Post Pour Adjustment)	Z415-BZ1, Z415-SZ1, Z415-BZ1-DP, Z415-SZ1-DP
Food Preparation Areas	Z320, ZN610-SS (Also See Sani-Flor Receptors - Z1900 Series)
Garage, Hangar and Service Areas	Z546, Z664, Z665, Z667, Z673, Z675, Z676
Indirect Waste Area (Condensate and Drip)	Z325, Z326, Z328, Z329, Z566
Industrial Areas - Vertical Adjustment	Z520, Z521, Z526
Medium Duty	Z550, Z551, Z609, Z611, Z667, Z730
Heavy Duty	Z508, Z509, Z511, Z512, Z520, Z521, Z532, Z539, Z541, Z545, Z575
Extra Heavy Duty	Z546, Z503, Z512, Z541, Z610, Z645, Z662, Z664, Z668, Z673, Z675, Z676
Traps and Backwater Valves	Z730
Planting Area	Z349, Z350
Prison Cell (Multi-Purpose)	Z355
Roadways	Z546, Z610, Z668, Z673

\*Regularly furnished unless otherwise specified.

Items designated as Best Sellers are most specified and are generally in stock for shipment.

🕒 This symbol denotes a product that is engineered to reduce installation and rework time.

For additional product information, please visit [www.zurn.com](http://www.zurn.com)

Patent [zurn.com/patents](http://zurn.com/patents)



# CAST IRON EZ1™ NOMENCLATURE DECODER

INTRO  
ROOF DRAINS  
FLOOR DRAINS  
T, P, BW VALVES  
INTERCEPTORS  
CARRIERS  
HYDRANTS  
CLEANOUTS  
WHA  
SS DRAINS  
SANI-FLOOR  
TECH INFO

**SHIM KIT** .....  
Shims built into the rough-in cover for tilt adjustment, screws included.

**ROUGH-IN COVER** .....  
Designed to stand up to rigorous jobsites with 3,000 lb load rating.

**PROTECTIVE LABEL** .....  
Keeps grate/cover finish intact until the job is complete.

**COVER OPTIONS** .....  
**BZ1** = Round with Post-Pour Adjustability  
**SZ1** = Square with Post-Pour Adjustability  
**ZN** = Polished Nickel Bronze Top  
**ZB** = Polished Bronze Top  
**ZS** = Polished Stainless Steel Top

**BODY OPTIONS** .....  
**IC** = Inside Caulk  
**IG** = Inside Gasket  
**IP** = Threaded  
**NH** = No-Hub  
**NL** = Neo-Loc

**OUTLET SIZES** .....  
Available in outlet sizes ranging from 2" through 6"



## A Whole Family of Product

-**BZ1** = Round cast iron floor drain or cleanout  
 -**SZ1** = Square cast iron floor drain or cleanout  
 -**DP** = Stainless steel deck plate for a cast iron floor drain or cleanout

## Model Number Example

**[ZN][415]-[3][NH]-[5][S][Z1]-[DP]**  
**ZN** = Denotes cover material  
**415 or 1400** = Denotes floor drain or cleanout  
**3** = Denotes outlet size  
**NH** = Denotes outlet type

**5, 6, or 8** = Denotes cover size  
**S** = Denotes round or square  
**Z1** = Denotes post-pour adjustability  
**DP** = Denotes deck plate

\*Comes standard with nickel bronze unless otherwise noted.  
 For additional product information, please visit [www.zurn.com](http://www.zurn.com) | Patent [zurn.com/patents](http://zurn.com/patents)

Learn more at [zurn.com/ez1](http://zurn.com/ez1)

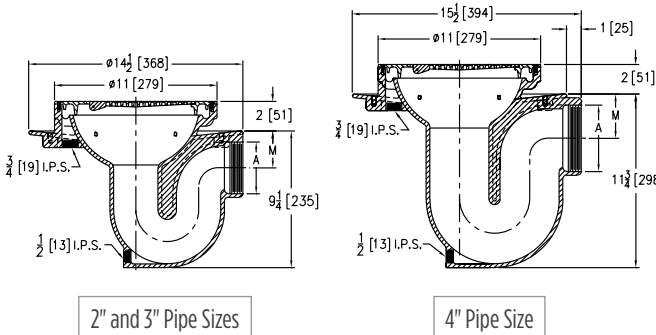
## Z300 THOROFLUSH DRAIN



### ENGINEERING SPECIFICATION

Zurn ZN300 11" top thoroflush drain with integral double wall trap features cast iron body with white acid resistant epoxy coated exterior and interior, side outlet with seepage pan, nickel bronze flushing rim top, and slotted hinged grate.

Dimensions in inches [mm]		Grate Open Area sq in [cm <sup>2</sup> ]	Approximate Weight lb [kg]
A Pipe Size	M		
2 [51]	3 [76]	18 [116]	50 [23]
3 [76]	2-1/2 [64]		
4 [102]	3 [76]		



PREFIXES	DESCRIPTION	A PIPE SIZE	LIST PRICE
ZN300*	Cast Iron Body with A.R.C. Interior and Exterior with Polished Nickel Bronze Top	2"	3,603.00
		3", 4"	3,740.00
ZB300	Cast Iron Body with A.R.C. Interior and Exterior with Polished Bronze Top	2"	3,394.00
		3", 4"	3,533.00

OUTLETS (SPECIFY PIPE SIZE IN INCHES AND TYPE OF OUTLET)			
OUTLET TYPE	PIPE SIZE/OUTLET TYPE	ADD	
IP	Threaded	2IP, 3IP, 4IP	N/C
SUFFIXES			
			ADD
-C	Clamping Collar		269.00
-FG	Free Set Grate		403.00
-IG	Integral Grate		150.00
-SC	Solid Cover		1,019.00
-ST	Solid Hinged Top		1,019.00
-VP	Vandal-Proof Screws in Frame		N/C
-WB	Water Supply Control Box (See Z1464)		7,281.00
BEST SELLER			LIST PRICE
ZN300-3IP			3,603.00

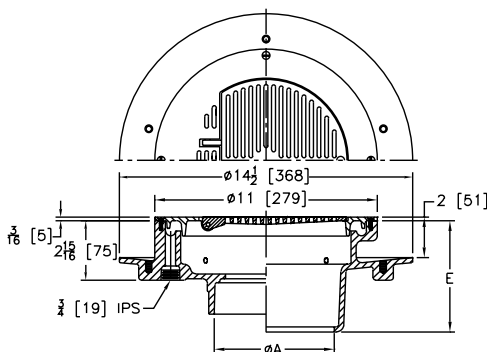
## Z310 THOROFLUSH DRAIN



### ENGINEERING SPECIFICATION

Zurn ZN310 11" top thoroflush drain features cast iron body with white acid resistant epoxy coated exterior and interior, bottom outlet with seepage pan, nickel bronze flushing rim top, and slotted hinged grate.

A Pipe Size inch [mm]	Grate Open Area sq in [cm <sup>2</sup> ]	Approximate Weight lb [kg]
2 [51], 3 [76], 4 [102]	18 [116]	20 [9]



PREFIXES	DESCRIPTION	A PIPE SIZE	LIST PRICE
ZN310*	Cast Iron Body with A.R.C. Interior and Exterior with Polished Nickel Bronze Top	2", 3", 4"	3,764.00
ZB310	Cast Iron Body with A.R.C. Interior and Exterior with Polished Bronze Top	2", 3", 4"	3,481.00

OUTLETS (SPECIFY PIPE SIZE IN INCHES AND TYPE OF OUTLET)			
OUTLET TYPE	PIPE SIZE/OUTLET TYPE	E BODY HT. DIM.	ADD
IP	Threaded	2IP, 3IP, 4IP	5-1/2" 114.00
NL	Neo-Loc	2NL, 3NL, 4NL	4-5/8" N/C
SUFFIXES			
			ADD
-C	Clamping Collar		269.00
-FG	Free Set Grate		403.00
-IG	Integral Grate		150.00
-ST	Solid Hinged Top		1,019.00
-TC	Neo-Loc Test Cap Gasket (2", 3", 4" NL Bottom Outlet Only)		36.00
-VP	Vandal-Proof Screws in Frame		N/C
-WB	Water Supply Control Box (See Z1464)		7,281.00

\*Regularly furnished unless otherwise specified.

Items designated as Best Sellers are most specified and are generally in stock for shipment.

⌚ This symbol denotes a product that is engineered to reduce installation and rework time.

For additional product information, please visit [www.zurn.com](http://www.zurn.com)

Patent [zurn.com/patents](http://zurn.com/patents)

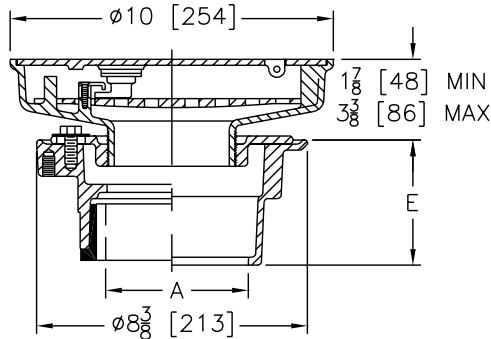
## Z315 VANDAL-PROOF ACCESS DRAIN



### ENGINEERING SPECIFICATION

Zurn ZN315 10" top vandal-proof drain features Dura-Coated cast iron body bottom outlet, invertible membrane clamp, vertically adjustable nickel bronze top with secondary strainer, and hinged solid locking cover.

A Pipe Size inch [mm]	Approximate Weight lb [kg]
2 [51]	23 [10]
3 [76]	24 [11]
4 [102]	25 [11]



PREFIXES	DESCRIPTION	A PIPE SIZE	LIST PRICE
<b>ZN315*</b>	D.C.C.I Body with Polished Nickel Bronze Top	2", 3", 4"	<b>5,001.00</b>

### OUTLETS (SPECIFY PIPE SIZE IN INCHES AND TYPE OF OUTLET)

OUTLET TYPE	PIPE SIZE/ OUTLET TYPE	E BODY HT. DIM.	ADD	
<b>NH</b>	No-Hub	2NH, 3NH, 4NH	3-7/8"	<b>N/C</b>
<b>NL</b>	Neo-Loc	2NL, 3NL, 4NL	3-3/4"	<b>N/C</b>

### SUFFIXES

SUFFIXES	ADD	
<b>-G</b>	Galvanized Cast Iron	<b>273.00</b>
<b>-HL</b>	Hinged Locking Gate	<b>N/C</b>
<b>-P</b>	Trap Primer Connection	<b>207.00</b>
<b>-TC</b>	Neo-Loc Test Cap Gasket (2", 3", 4" NL Bottom Outlet Only)	<b>36.00</b>

BEST SELLER	LIST PRICE
<b>ZN315-3NL-P</b>	<b>5,208.00</b>

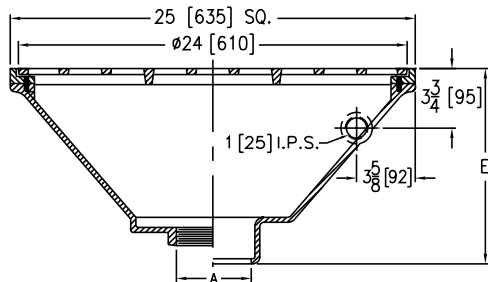
## Z319 THOROFLUSH DRAIN - LARGE CAPACITY



### ENGINEERING SPECIFICATION

Zurn ZN319 25" large capacity thoroflush drain features cast iron body with white acid resistant coating, bottom outlet, and nickel bronze top frame and grate with flushing connection.

A Pipe Size inch [mm]	Grate Open Area sq in [cm <sup>2</sup> ]	Approximate Weight lb [kg]
3 [76], 4 [102], 6 [152], 8 [203]	232 [1496]	118 [54]



PREFIXES	DESCRIPTION	A PIPE SIZE	LIST PRICE
<b>ZN319*</b>	Cast Iron Body with A.R.C. Polished Nickel Bronze Top	3", 4", 6", 8"	<b>23,931.00</b>

### OUTLETS (SPECIFY PIPE SIZE IN INCHES AND TYPE OF OUTLET)

OUTLET TYPE	PIPE SIZE/ OUTLET TYPE	E BODY HT. DIM.	ADD	
<b>IC</b>	Inside Caulk	3IC, 4IC	12-1/8"	<b>N/C</b>
<b>IG</b>	Inside Gasket	3IG, 4IG	12-1/8"	<b>N/C</b>
<b>IP</b>	Threaded	3IP, 4IP, 6IP, 8IP	11"	<b>114.00</b>

### SUFFIXES

SUFFIXES	ADD	
<b>-G</b>	Galvanized Cast Iron	<b>2,192.00</b>
<b>-P</b>	Trap Primer Connection	<b>207.00</b>
<b>-VP</b>	Vandal-Proof Secured Top	<b>285.00</b>

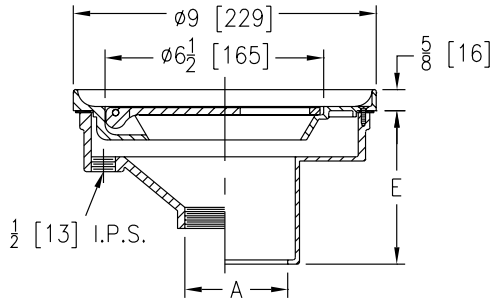
## Z320 REFRIGERATOR DRAIN



### ENGINEERING SPECIFICATION

Zurn ZN320 9" refrigerator drain features cast iron body with white acid resistant epoxy coated interior, nickel bronze flushing rim top, and recessed hinged grate.

A Pipe Size inch [mm]	Grate Open Area sq in [cm <sup>2</sup> ]	Approximate Weight lb [kg]
2 [51], 3 [76], 4 [102]	7-1/2 [48]	15 [7]



PREFIXES	DESCRIPTION	A PIPE SIZE	LIST PRICE
ZN320*	Cast Iron Body with A.R.C. Interior and Polished Nickel Bronze Top	2", 3", 4"	3,511.00

OUTLETS (SPECIFY PIPE SIZE IN INCHES AND TYPE OF OUTLET)				
OUTLET TYPE		PIPE SIZE/ OUTLET TYPE	E BODY HT. DIM.	ADD
IC	Inside Caulk	2IC, 3IC, 4IC	4-1/2"	N/C
IG	Inside Gasket	2IG, 3IG, 4IG	4-1/2"	N/C
IP	Threaded	2IP, 3IP, 4IP	3-7/16"	114.00
SUFFIXES				ADD
-G	Galvanized Cast Iron			532.00
-VP	Vandal-Proof Secured Top			83.00

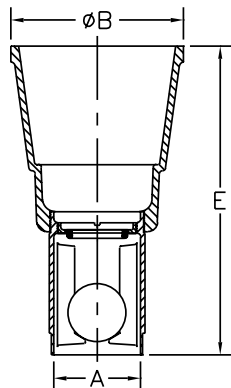
## Z325 INDIRECT WASTE FUNNEL WITH INTEGRAL BACKWATER VALVE



### ENGINEERING SPECIFICATION

Zurn Z325 7" or 9" diameter indirect waste funnel features Dura-Coated cast iron body, plastic ball float, bronze backwater valve bushing and replaceable neoprene seat.

Dimensions in inches [mm]		Approximate Weight lb [kg]
A Pipe Size	B	
3 [76]	6-3/4 [171]	16 [7]
4 [102]	8-5/8 [219]	20 [9]
6 [152]		37 [17]



PREFIXES	DESCRIPTION	A PIPE SIZE	LIST PRICE
Z325*	D.C.C.I. Body	3"	1,560.00
		4"	2,012.00
		6"	2,073.00

OUTLETS (SPECIFY PIPE SIZE IN INCHES AND TYPE OF OUTLET)				
OUTLET TYPE		PIPE SIZE/OUTLET TYPE	E BODY HT. DIM.	ADD
NH	No-Hub	3NH	12-3/4"	N/C
		4NH, 6NH	15-1/4"	N/C

SUFFIXES			ADD
-DB	Bottom Dome Strainer		83.00
-G	Galvanized Cast Iron		853.00
-S	Secondary Strainer		83.00

BEST SELLERS		LIST PRICE
Z325-3NH		1,560.00
Z325-4NH		2,012.00

\*Regularly furnished unless otherwise specified.

Items designated as Best Sellers are most specified and are generally in stock for shipment.

⌚ This symbol denotes a product that is engineered to reduce installation and rework time.

For additional product information, please visit [www.zurn.com](http://www.zurn.com)

Patent [zurn.com/patents](http://zurn.com/patents)

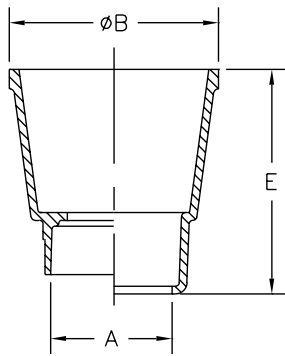
## Z326 INDIRECT WASTE FUNNEL



### ENGINEERING SPECIFICATION

Zurn Z326 7" or 9" diameter Indirect waste funnel features Dura-Coated cast iron body and bottom outlet.

Dimensions in inch [mm]		Approximate Weight lb [kg]
A Pipe Size	B	
2 [51]	6-3/4 [171]	8 [4]
3 [76]		8 [4]
4 [102]	8-5/8 [219]	31 [14]
6 [152]		26 [12]



PREFIXES	DESCRIPTION	A PIPE SIZE	LIST PRICE
Z326*	D.C.C.I. Body	2"	551.00
		3"	642.00
		4"	1,095.00
		6"	1,136.00
ZARB326	Plain Bronze Body	2"	1,291.00
		3"	1,358.00
		4"	2,871.00
		6"	3,864.00

OUTLETS (SPECIFY PIPE SIZE IN INCHES AND TYPE OF OUTLET)				
OUTLET TYPE		PIPE SIZE/OUTLET TYPE	E BODY HT. DIM.	ADD
IP	Threaded	2IP, 3IP	7-1/4"	114.00
		4IP, 6IP	9-7/8"	114.00
NL	Neo-Loc	2NL, 3NL	6-5/8"	N/C
		4NL	9"	N/C
SUFFIXES				ADD
-AR	Acid Resisting Epoxy Coated Cast Iron			432.00
-DB	Bottom Dome Strainer	Z		83.00
		ZARB		162.00
-G	Galvanized Cast Iron			494.00
BEST SELLER				LIST PRICE
Z326-4NL-DB				1,178.00

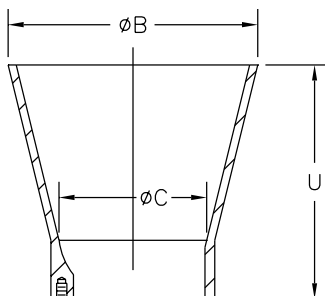
## Z328 FUNNEL CONVERTING ASSEMBLY



### ENGINEERING SPECIFICATION

Zurn Z328 4" or 6" (specify) diameter funnel converting assembly features Dura-Coated cast iron (or finish to suit drain top), along with necessary fasteners to secure funnel to strainer.

Product Designation	Dimensions in inches [mm]			Approximate Weight lb [kg]
	B	C	U	
-4	4 [102]	2-1/4 [57]	3-3/4 [95]	2 [1]
-6	6 [152]	2-7/8 [73]	6 [152]	5 [2]



PREFIXES	DESCRIPTION	PRODUCT DESIGNATION	LIST PRICE
Z328*	D.C.C.I. Funnel	-4	260.00
		-6	415.00
ZN328	Polished Nickel Bronze Funnel	-4	613.00
		-6	908.00
SUFFIXES			ADD
-AR	Acid Resisting Epoxy Coated Cast Iron		285.00
BEST SELLERS			LIST PRICE
Z328-4			260.00
ZN328-4			613.00
ZN328-6			908.00

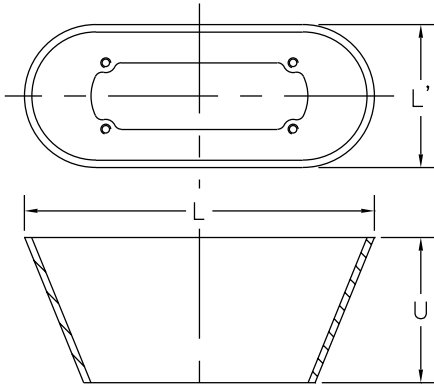
## Z329 FUNNEL CONVERTING ASSEMBLY



### ENGINEERING SPECIFICATION

Zurn Z329 7" or 9" (specify) oval funnel converting assembly features Dura-Coated cast iron (or finish to suit drain top), along with necessary fasteners to secure funnel to strainer. (Available on 7" diameter or larger size drain tops only.)

Product Designation	Dimensions in inches [mm]			Approximate Weight lb [kg]
	L	L'	U	
-7	6-3/4 [171]	3 [76]	1 [25]	2 [1]
-9	8-7/8 [225]	3-5/8 [92]	3-3/4 [95]	4 [2]



PREFIXES	DESCRIPTION	PRODUCT DESIGNATION	LIST PRICE
<b>Z329*</b>	D.C.C.I. Funnel	-7	260.00
		-9	613.00
<b>ZN329</b>	Polished Nickel Bronze Funnel	-7	613.00
		-9	1,266.00

SUFFIXES	ADD	
<b>-AR</b>	Acid Resisting Epoxy Coated Cast Iron	285.00

BEST SELLERS	LIST PRICE
ZN329-7	613.00
ZN329-9	1,266.00

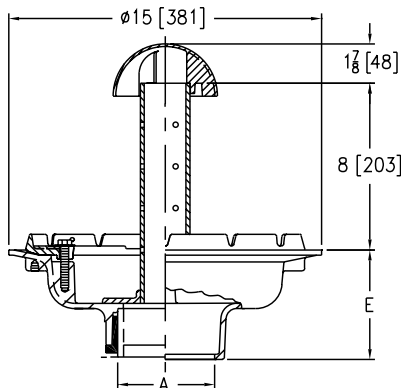
## Z349 TERRACE PLANTING AREA DRAIN



### ENGINEERING SPECIFICATION

Zurn Z349 terrace planting area drain features Dura-Coated cast iron body, 8" high perforated overflow standpipe with dome, and combination membrane flashing clamp/gravel guard.

A Pipe Size inch [mm]	Approximate Weight lb [kg]
2 [51], 3 [76], 4 [102]	40 [18]
5 [127], 6 [152]	42 [19]



PREFIXES	DESCRIPTION	A PIPE SIZE	LIST PRICE
<b>Z349*</b>	D.C.C.I. Body with Standpipe and Dome	2", 3", 4"	1,931.00
		6"	2,263.00
<b>ZN349</b>	D.C.C.I. Body, Clamp with Polished Nickel Bronze Standpipe and Dome	2", 3", 4"	3,740.00
		6"	4,064.00

OUTLETS (SPECIFY PIPE SIZE IN INCHES AND TYPE OF OUTLET)				
OUTLET TYPE		PIPE SIZE/OUTLET TYPE	E BODY HT. DIM.	ADD
<b>NH</b>	No-Hub	2NH, 3NH, 4NH, 6NH	5-1/4"	N/C
<b>NL</b>	Neo-Loc	2NL, 3NL, 4NL	4-9/16"	N/C
		6NL	5-7/16"	N/C

SUFFIXES	ADD		
<b>-C</b>	Underdeck Clamp	336.00	
<b>-G</b>	Galvanized Cast Iron	878.00	
⌚ <b>-SA</b>	Stabilizer Assembly (See Z1036)	204.00	
<b>-SD</b>	Longer Standpipe For Each Additional 1" over 8" (Specify Height)	Z	203.00
		ZN	314.00
<b>-SS</b>	Stainless Steel Mesh Screen over Standpipe	POA	

BEST SELLER	LIST PRICE
Z349-3NL	1,931.00

\*Regularly furnished unless otherwise specified.

Items designated as Best Sellers are most specified and are generally in stock for shipment.

⌚ This symbol denotes a product that is engineered to reduce installation and rework time.

For additional product information, please visit [www.zurn.com](http://www.zurn.com)

Patent [zurn.com/patents](http://zurn.com/patents)

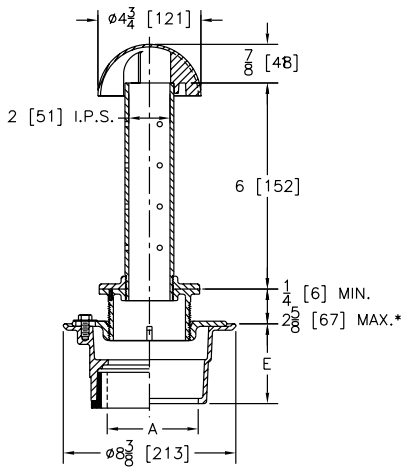
## Z350 PLANTING AREA DRAIN



### ENGINEERING SPECIFICATION

Zurn Z350 planting area drain features Dura-Coated cast iron body with bottom outlet and combination invertible membrane clamp, vertically adjustable nickel bronze head, floor flange, and 2" diameter perforated standpipe and dome.

A Pipe Size inches [mm]	Approximate Weight lb [kg]
2 [51], 3 [76], 4 [102]	22 [10]



PREFIXES	DESCRIPTION	A PIPE SIZE	LIST PRICE
<b>ZN350*</b>	D.C.C.I. Body with Polished Stainless Steel Standpipe	2", 3", 4"	<b>3,136.00</b>
<b>ZB350</b>	D.C.C.I. Body with Polished Brass Standpipe	2", 3", 4"	<b>2,724.00</b>

OUTLETS (SPECIFY PIPE SIZE IN INCHES AND TYPE OF OUTLET)			
OUTLET TYPE	PIPE SIZE/OUTLET TYPE	E BODY HT. DIM.	ADD
<b>IC</b>	Inside Caulk	2IC, 3IC, 4IC	4-3/16" N/C
<b>IG</b>	Inside Gasket	2IG, 3IG, 4IG	4-3/16" N/C
<b>IP</b>	Threaded	2IP	2-7/16" 114.00
		3IP	2-3/4" 114.00
		4IP	2-3/16" 114.00
<b>NH</b>	No-Hub	2NH, 3NH, 4NH	3-13/16" N/C
<b>NL</b>	Neo-Loc	2NL, 3NL, 4NL	3-7/8" N/C

SUFFIXES	ADD
<b>-C</b>	Underdeck Clamp 207.00
<b>-G</b>	Galvanized Cast Iron 273.00
<b>-P</b>	Trap Primer Connection (Specify 1/2" or 3/4") 207.00
<b>-SD</b>	Longer Standpipe For Each Additional 1" over 6" (Specify Height) ZB, ZN 137.00
<b>-SS</b>	Stainless Steel Mesh Screen over Dome POA

DEDUCT
<b>-PS</b> Solid Standpipe (474.00)

BEST SELLERS	LIST PRICE
ZN350-2NH	3,136.00
ZB350-3NH	2,724.00
ZN350-3NH	3,136.00
ZN350-3NH-SS	POA
ZN350-3NL	3,136.00
ZN350-4NL	3,136.00

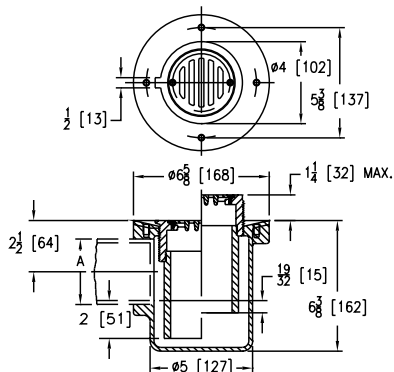
## Z355 PRISON CELL FLOOR DRAIN



### ENGINEERING SPECIFICATION

Zurn ZN355 prison cell floor drain features Dura-Coated cast iron body with side outlet, integral trap, anchor flange, and adjustable nickel bronze slotted strainer secured with spanner type vandal-proof screws.

A Pipe Size inches [mm]	Grate Open Area sq in [cm <sup>2</sup> ]	Approximate Weight lb [kg]
2 [51]	3-1/2 [23]	13 [6]
3 [76]		15 [7]



PREFIXES	DESCRIPTION	A PIPE SIZE	LIST PRICE
<b>ZN355*</b>	D.C.C.I. Body with Polished Nickel Bronze Top	2"	<b>1,456.00</b>
		3"	<b>1,615.00</b>

OUTLETS (SPECIFY PIPE SIZE IN INCHES AND TYPE OF OUTLET)		
OUTLET TYPE	PIPE SIZE/OUTLET TYPE	ADD
<b>IP</b>	Threaded	2IP, 3IP N/C

SUFFIXES	ADD
<b>-G</b>	Galvanized Cast Iron 256.00

BEST SELLER	LIST PRICE
ZN355-3IP	1,615.00

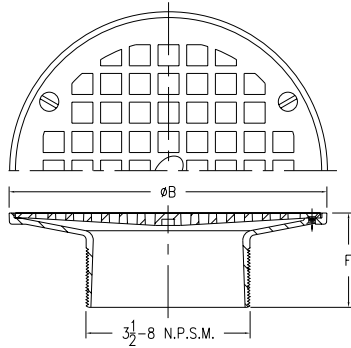
## Z400 "TYPE B" ROUND STRAINER WITH HEEL-PROOF SQUARE OPENINGS



### ENGINEERING SPECIFICATION

Zurn ZC ( )400B "TYPE B" round adjustable light-duty strainer top includes square heel-proof openings and secured grate. (Specify ZB or ZN finish.)

Strainer Designation	Dimensions in inches [mm]		Open Area sq in [cm <sup>2</sup> ]	Approximate Weight lb [kg]
	Size B	Height F		
-5B	5 [127]	2 [51]	8 [52]	2 [1]
-6B	6 [152]	2-1/4 [57]	9 [58]	3 [1]
-7B	7 [178]	2-5/8 [67]	12 [77]	4 [2]
-8B	8 [203]		18 [116]	5 [2]
-10B	10 [254]	3 [76]	26 [168]	13 [6]



PREFIXES	DESCRIPTION	STRAINER DESIGNATION	LIST PRICE
<b>ZN400*</b>	Polished Nickel Bronze Top	-5B	427.00
		-6B	578.00
		-7B	709.00
		-8B	957.00
		-10B	1,406.00
<b>ZB400</b>	Polished Bronze Top	-5B	390.00
		-6B	498.00
		-7B	661.00
		-8B	891.00
		-10B	1,317.00

SUFFIXES	ADD	LIST PRICE
-CP	Chrome-Plated Bronze Top	700.00
⌚ -HD	Heavy-Duty Slotted Grate (ZN 5" & 6" only with 4" shank)	285.00
-OF	Oval Funnel (6", 7", 8", 10" Strainers Only) (See Z329-7)	613.00
⌚ -PC	Protective Cover	91.00
-SG	Solid Gasketed Cover (Will not function as a gas-tight cleanout cover.)	868.00
-V	Backwater Valve (Not Available with -Y)	522.00
-VP	Vandal-Proof Secured Top	83.00
-Y	Sediment Bucket (Not Available with -V)	152.00
-4	4" Diameter Funnel (See Z328)	613.00

BEST SELLERS	LIST PRICE
ZB400-5B	390.00
ZB400-5B-CP	1,090.00
ZN400-5B	427.00
ZN400-5B-VP	510.00
ZB400-6B	498.00
ZN400-6B	578.00
ZN400-8B	957.00
ZN400-10B	1,406.00

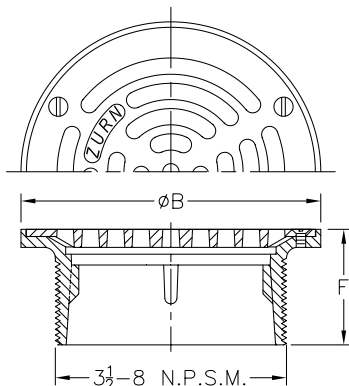
## ZS400 "TYPE BS" ROUND STRAINER WITH SLOTTED OPENINGS



### ENGINEERING SPECIFICATION

Zurn ZS400BS "TYPE BS" round adjustable medium-duty strainer top includes heel-proof slotted, secured grate.

Strainer Designation	Dimensions in inches [mm]		Open Area sq in [cm <sup>2</sup> ]	Approximate Weight lb [kg]
	Size B	Height F		
-5BS	5 [127]	2 [51]	7 [45]	1-1/2 [1/2]
-6BS	6 [152]	2-1/4 [57]	11 [71]	2-1/2 [1]
-7BS	7 [178]	2-5/8 [67]	15 [97]	3 [1]
-8BS	8 [203]		20 [129]	4-1/2 [2]
-10BS	10 [254]	3 [76]	26-1/2 [171]	8 [4]



PREFIXES	DESCRIPTION	STRAINER DESIGNATION	LIST PRICE
<b>ZS400*</b>	Type 304 (CF8) Stainless Steel Top	-5BS	1,230.00
		-6BS	1,603.00
		-7BS	2,151.00
		-8BS	2,262.00
		-10BS	2,755.00
<b>ZM400</b>	Type 316 (CF8M) Stainless Steel Top	-5BS	POA
		-6BS	POA
		-7BS	POA
		-8BS	POA
		-10BS	POA

SUFFIXES	ADD	LIST PRICE
-VP	Vandal-Proof Secured Top	83.00
-Y	Stainless Steel Sediment Bucket	152.00

BEST SELLERS	LIST PRICE
ZS400-5BS	1,230.00
ZS400-6BS	1,603.00
ZS400-8BS	2,262.00

\*Regularly furnished unless otherwise specified.

Items designated as Best Sellers are most specified and are generally in stock for shipment.

⌚ This symbol denotes a product that is engineered to reduce installation and rework time.

For additional product information, please visit [www.zurn.com](http://www.zurn.com)

Patent [zurn.com/patents](http://zurn.com/patents)



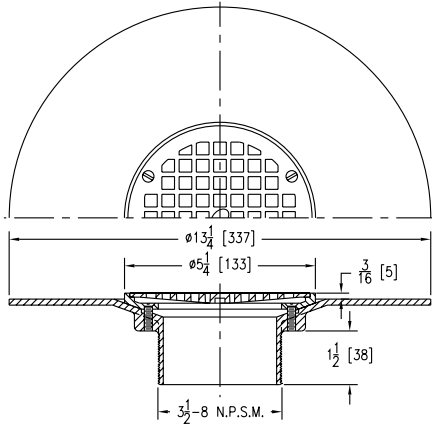
## Z400 "TYPE BL" ROUND STRAINER WITH DEX-O-TEX FLANGE



### ENGINEERING SPECIFICATION

Zurn Z( )400BL "TYPE BL" round adjustable light-duty strainer features Dura-Coated cast iron 13" diameter latex membrane flange, nickel bronze or polished bronze frame, and secured grate. (Specify ZB or ZN finish.)

Strainer Designation	Top Size inch [mm]	Open Area sq in [cm <sup>2</sup> ]	Approximate Weight lb [kg]
-5BL	5 [127]	7 [45]	5 [2]



PREFIXES	DESCRIPTION	STRAINER DESIGNATION	LIST PRICE
<b>ZN400*</b>	Polished Nickel Bronze Top	-5BL	<b>1,733.00</b>
<b>ZB400</b>	Polished Bronze Top	-5BL	<b>1,653.00</b>
SUFFIXES			ADD
-CP	Chrome-Plated Bronze Top		<b>700.00</b>
Ⓢ -PC	Protective Cover		<b>91.00</b>
-VP	Vandal-Proof Secured Top		<b>83.00</b>
-Y	Sediment Bucket		<b>152.00</b>
BEST SELLER			LIST PRICE
ZN400-5BL			<b>1,733.00</b>

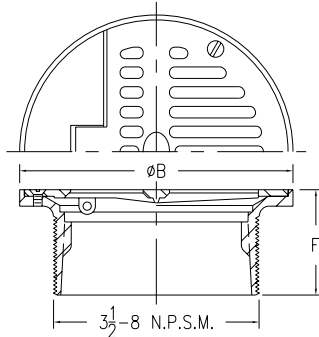
## Z400 "TYPE C" ROUND HINGED STRAINER



### ENGINEERING SPECIFICATION

Zurn Z( )400C "TYPE C" round adjustable light-duty strainer top includes slotted heel-proof openings and hinged grate. (Specify ZB or ZN finish.)

Strainer Designation	Dimensions in inches [mm]		Open Area sq in [cm <sup>2</sup> ]	Approximate Weight lb [kg]
	Size B	Height F		
-5C	5 [127]	2 [51]	8 [52]	2 [1]
-6C	6 [152]	2-1/4 [57]	9 [58]	3 [1]
-7C	7 [178]	2-5/8 [67]	13 [84]	4 [2]
-8C	8 [203]		18 [116]	5 [2]



PREFIXES	DESCRIPTION	STRAINER DESIGNATION	LIST PRICE
<b>ZN400*</b>	Polished Nickel Bronze Top	-5C	<b>813.00</b>
		-6C	<b>901.00</b>
		-7C	<b>1,110.00</b>
		-8C	<b>1,250.00</b>
<b>ZB400</b>	Polished Bronze Top	-5C	<b>763.00</b>
		-6C	<b>813.00</b>
		-7C	<b>1,061.00</b>
		-8C	<b>1,146.00</b>
SUFFIXES			ADD
-CP	Chrome-Plated Bronze Top		<b>700.00</b>
Ⓢ -PC	Protective Cover		<b>91.00</b>
-V	Backwater Valve (Not Available with -Y)		<b>522.00</b>
-VP	Vandal-Proof Secured Top		<b>83.00</b>
-Y	Sediment Bucket (Not Available with -Y)		<b>152.00</b>
BEST SELLER			LIST PRICE
ZN400-6C			<b>901.00</b>

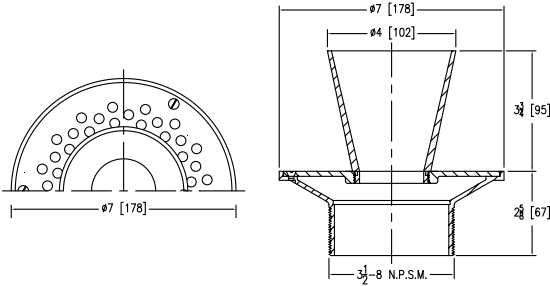
## Z400 "TYPE E" ROUND STRAINER WITH INTEGRAL FUNNEL



### ENGINEERING SPECIFICATION

Zurn Z( )400E "TYPE E" round adjustable strainer top includes combination funnel/grate with perimeter openings. (Specify ZB or ZN finish.)

Strainer Designation	Top Size inch [mm]	Open Area sq in [cm <sup>2</sup> ]	Approximate Weight lb [kg]
-7E	7 [178]	5 [32]	10 [5]



PREFIXES	DESCRIPTION	STRAINER DESIGNATION	LIST PRICE
<b>ZN400*</b>	Polished Nickel Bronze Top	-7E	<b>1,675.00</b>
<b>ZB400</b>	Polished Bronze Top	-7E	<b>1,521.00</b>
SUFFIXES			ADD
<b>-V</b>	Backwater Valve (Not Available with -Y)		<b>522.00</b>
<b>-VP</b>	Vandal-Proof Secured Top		<b>83.00</b>
<b>-Y</b>	Sediment Bucket (Not Available with -V)		<b>152.00</b>
BEST SELLER			LIST PRICE
ZN400-7E			<b>1,675.00</b>

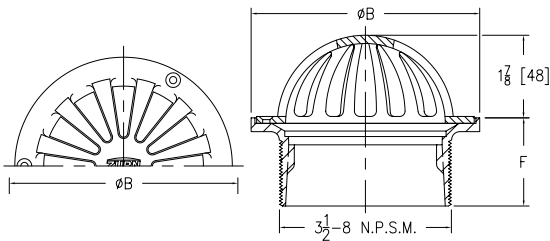
## Z400 "TYPE G" ROUND STRAINER WITH DOME



### ENGINEERING SPECIFICATION

Zurn Z( )400G "TYPE G" round adjustable strainer top includes secured slotted dome strainer. (Specify ZB or ZN finish.)

Strainer Designation	Dimensions in inches [mm]		Open Area sq in [cm <sup>2</sup> ]	Approximate Weight lb [kg]
	Size B	Height F		
-5G	5 [127]	2 [51]	15 [97]	2 [1]
-6G	6 [152]	2-1/4 [57]		4 [2]



PREFIXES	DESCRIPTION	STRAINER DESIGNATION	LIST PRICE
<b>ZN400*</b>	Polished Nickel Bronze Top	-5G	<b>709.00</b>
		-6G	<b>901.00</b>
SUFFIXES			ADD
<b>-SS</b>	Stainless Mesh Screen Over Dome		<b>724.00</b>
<b>-V</b>	Backwater Valve (Not Available with -Y)		<b>522.00</b>
<b>-VP</b>	Vandal-Proof Secured Top		<b>83.00</b>
<b>-Y</b>	Sediment Bucket (Not Available with -V)		<b>152.00</b>
BEST SELLERS			LIST PRICE
ZN400-5G			<b>709.00</b>
ZN400-6G			<b>901.00</b>

\*Regularly furnished unless otherwise specified.

Items designated as Best Sellers are most specified and are generally in stock for shipment.

⌚ This symbol denotes a product that is engineered to reduce installation and rework time.

For additional product information, please visit [www.zurn.com](http://www.zurn.com)

Patent [zurn.com/patents](http://zurn.com/patents)

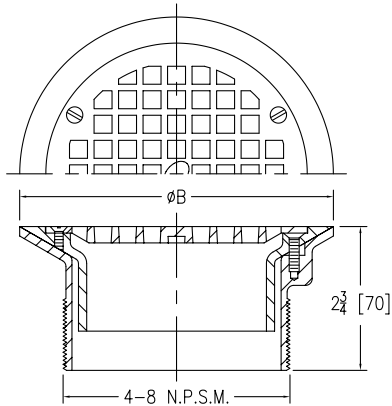
## Z400 "TYPE H" ROUND STRAINER WITH CLAMP DEVICE



### ENGINEERING SPECIFICATION

Zurn Z( )400H "TYPE H" round adjustable light-duty strainer top includes integral clamping frame and secured heel-proof grate. (Specify ZB or ZN finish.)

Strainer Designation	B Top Size Inches [mm]	Open Area sq in [cm <sup>2</sup> ]	Approximate Weight lb [kg]
-6H	6 [152]	7 [45]	4 [2]
-9H	9 [229]	11 [71]	10 [5]



PREFIXES	DESCRIPTION	STRAINER DESIGNATION	LIST PRICE
ZN400*	Polished Nickel Bronze Top	-6H	2,012.00
		-9H	2,644.00
ZB400	Polished Bronze Top	-6H	1,787.00
		-9H	2,337.00
SUFFIXES			ADD
-VP	Vandal-Proof Secured Top		83.00
-Y	Sediment Bucket		152.00
BEST SELLER			LIST PRICE
ZN400-6H			2,012.00

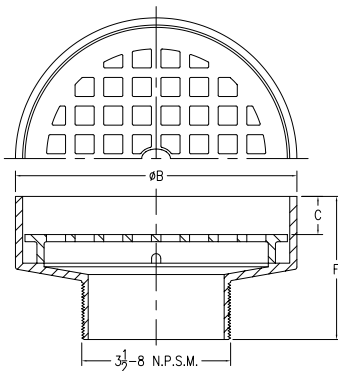
## Z400 "TYPE I" ROUND STRAINER WITH RAISED LIP



### ENGINEERING SPECIFICATION

Zurn Z( )400I "TYPE I" round adjustable strainer top includes loose set recessed grate. (Specify ZB or ZN finish.)

Strainer Designation	Dimensions in inches [mm]			Open Area sq in [cm <sup>2</sup> ]	Approximate Weight lb [kg]
	Size B	C	Height F		
-5I	5-7/16 [138]	7/8 [22]	3 [76]	8 [52]	5 [2]
-7I	7-3/8 [187]	1 [25]	3-3/4 [95]	13 [84]	10 [5]
-9I	9 [229]	1/2 [13]	3-1/2 [89]	23 [148]	14 [6]



PREFIXES	DESCRIPTION	STRAINER DESIGNATION	LIST PRICE
ZN400*	Polished Nickel Bronze Top	-5I	1,221.00
		-7I	1,336.00
		-9I	1,984.00
ZB400	Polished Bronze Top	-5I	1,131.00
		-7I	1,203.00
		-9I	1,792.00
SUFFIXES			ADD
-TS	Top Secured with Slotted Screws		83.00
-V	Backwater Valve (Not Available with -Y)		522.00
-VP	Vandal-Proof Secured Top		163.00
-Y	Sediment Bucket (Not Available with -V)		152.00
BEST SELLERS			LIST PRICE
ZN400-5I			1,221.00
ZN400-7I			1,336.00

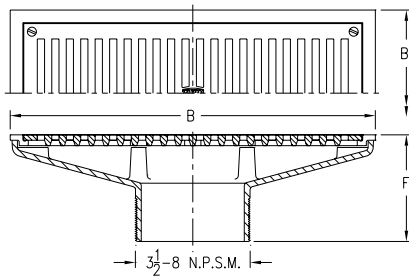
## Z400 "TYPE J" RECTANGULAR STRAINER WITH HEEL-PROOF SLOTTED OPENINGS



### ENGINEERING SPECIFICATION

Zurn Z( )400J "TYPE J" rectangular adjustable light-duty heel-proof strainer top with Dura-Coated cast iron head, polished frame and secured slotted grate. (Specify ZB or ZN finish.)

Strainer Designation	Dimensions in inches [mm]		Open Area sq in [cm <sup>2</sup> ]	Approximate Weight lb [kg]
	Size B' x B	Height F		
-8J	4-1/2 [114] x 8 [203]	3 [76]	12 [77]	4 [2]
-9J	5 [127] x 9 [229]		15 [97]	5 [2]
-13J	5-1/2 [140] x 13 [330]	4-7/8 [124]	20 [129]	9 [4]
-17J	5 [127] x 17 [432]	3-1/2 [89]	29 [187]	14 [6]
-21J	5 [127] x 21 [533]		32 [206]	18 [8]
-20J	10 [254] x 20 [508]	3-5/8 [92]	66 [426]	34 [15]



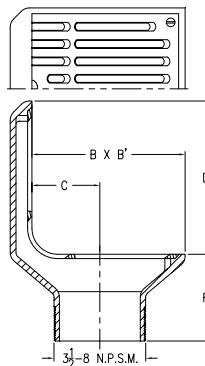
## Z400 "TYPE K" ANGULAR STRAINER



### ENGINEERING SPECIFICATION

Zurn Z( )400K "TYPE K" angular adjustable light-duty strainer top includes secured flush type angle grate. (Specify ZB or ZN finish.)

Strainer Designation	Dimensions in inches [mm]				Open Area sq in [cm <sup>2</sup> ]	Approximate Weight lb [kg]
	Size B x B'	C	D	Height F		
-5K	3-3/4 [95] x 5 [127]	1-7/32 [31]	3-3/4 [95]	2-3/8 [60]	11 [71]	9 [4]
-7K	6-5/8 [168] x 7 [178]	2-15/46 [59]	6-5/8 [168]	3-3/4 [95]	29 [187]	16 [7]



PREFIXES	DESCRIPTION	STRAINER DESIGNATION	LIST PRICE
ZN400*	Polished Nickel Bronze Top	-8J	1,250.00
		-9J	2,376.00
		-13J	3,407.00
		-17J	1,929.00
		-21J	2,900.00
		-20J	11,128.00
ZB400	Polished Bronze Top	-8J	1,146.00
		-9J	1,146.00
		-13J	1,603.00
		-17J	3,297.00
		-21J	2,520.00
		-20J	4,714.00
SUFFIXES		ADD	
-G	Galvanized Cast Iron		406.00
-V	Backwater Valve (Not Available with -Y)		522.00
-VP	Vandal-Proof Secured Top		83.00
-Y	Sediment Bucket (Not Available with -V)		152.00

PREFIXES	DESCRIPTION	STRAINER DESIGNATION	LIST PRICE
ZN400*	Polished Nickel Bronze Top	-5K	2,543.00
		-7K	3,251.00
ZB400	Polished Bronze Top	-5K	2,329.00
		-7K	2,980.00
SUFFIXES		ADD	
-V	Backwater Valve (Not Available with -Y)		522.00
-VP	Vandal-Proof Secured Top		83.00
-Y	Sediment Bucket (Not Available with -V)		152.00

\*Regularly furnished unless otherwise specified.

Items designated as Best Sellers are most specified and are generally in stock for shipment.

⌚ This symbol denotes a product that is engineered to reduce installation and rework time.

For additional product information, please visit [www.zurn.com](http://www.zurn.com)

Patent [zurn.com/patents](http://zurn.com/patents)

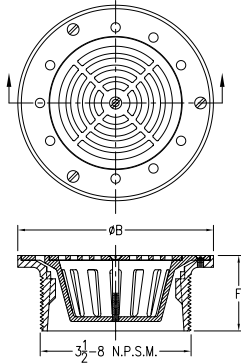
## Z400 "TYPE M" ROUND STRAINER WITH SLOTTED OPENINGS AND SUR-SET BUCKET



### ENGINEERING SPECIFICATION

Zurn Z( )400M "TYPE M" round adjustable light-duty strainer top includes slotted heel-proof openings, secured grate, and Sur-Set bucket. (Specify ZB or ZN finish.)

Strainer Designation	Dimensions in inches [mm]		Open Area sq in [cm <sup>2</sup> ]	Approximate Weight lb [kg]
	Size B	Height F		
-5M	5 [127]	2 [51]	4-1/2 [29]	2 [1]



PREFIXES	DESCRIPTION	STRAINER DESIGNATION	LIST PRICE
<b>ZN400*</b>	Polished Nickel Bronze Top	-5M	<b>1,122.00</b>
<b>ZB400</b>	Polished Bronze Top	-5M	<b>1,048.00</b>
SUFFIXES			ADD
Ⓢ -PC	Protective Cover		<b>91.00</b>
-VP	Vandal-Proof Secured Top		<b>83.00</b>

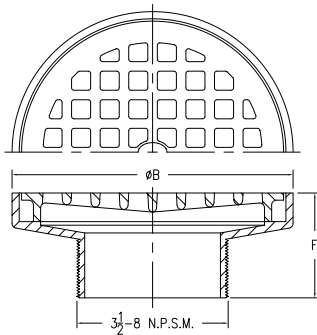
## Z400 "TYPE N" ROUND STRAINER WITH DEEP FLANGED GRATE



### ENGINEERING SPECIFICATION

Zurn Z( )400N "TYPE N" round adjustable light-duty strainer top includes loose set deep flanged grate. (Specify Z, ZB or ZN finish.)

Strainer Designation	Dimensions in inches [mm]		Open Area sq in [cm <sup>2</sup> ]	Approximate Weight lb [kg]
	Size B	Height F		
-7N	7 [178]	2-3/4 [70]	12 [77]	8 [4]
-9N	9 [229]	3 [76]	23 [148]	12 [5]



PREFIXES	DESCRIPTION	STRAINER DESIGNATION	LIST PRICE
<b>ZN400*</b>	Polished Nickel Bronze Top	-7N	<b>1,336.00</b>
		-9N	<b>1,960.00</b>
<b>Z400</b>	Dura-Coated Cast Iron Top	-7N	<b>507.00</b>
		-9N	<b>684.00</b>
<b>ZB400</b>	Polished Bronze Top	-7N	<b>1,203.00</b>
		-9N	<b>1,792.00</b>
SUFFIXES			ADD
-DG	Ductile Grate	7"	<b>180.00</b>
		9"	<b>228.00</b>
-G	Galvanized Cast Iron Top		<b>406.00</b>
-TS	Top Secured with Slotted Screws		<b>83.00</b>
-V	Backwater Valve (Not Available with -Y)		<b>522.00</b>
-VP	Vandal-Proof Secured Top		<b>163.00</b>
-Y	Sediment Bucket (Not Available with -V)		<b>152.00</b>

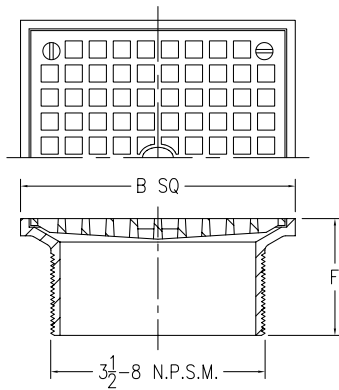
## Z400 "TYPE S" SQUARE STRAINER



### ENGINEERING SPECIFICATION

Zurn Z( )400S "TYPE S" square adjustable light-duty strainer top includes secured heel-proof grate. (Specify ZB or ZN finish.)

Strainer Designation	Dimensions in inches [mm]		Open Area sq in [cm <sup>2</sup> ]	Approximate Weight lb [kg]
	Size B	Height F		
-5S	5 x 5 [127]	2-1/8 [54]	9 [58]	3 [1]
-6S	6 x 6 [152]	2-11/32 [60]	13 [84]	4 [2]
-7S	7 x 7 [178]	2-3/8 [60]	21 [135]	5 [2]
-8S	8 x 8 [203]		6 [3]	
-10S	10 x 10 [254]		12 [5]	



PREFIXES	DESCRIPTION	STRAINER DESIGNATION	LIST PRICE
<b>ZN400*</b>	Polished Nickel Bronze Top	-5S	657.00
		-6S	763.00
		-7S	973.00
		-8S	1,230.00
		-10S	2,115.00
<b>ZB400</b>	Polished Bronze Top	-5S	578.00
		-6S	709.00
		-7S	891.00
		-8S	1,094.00
		-10S	1,957.00

SUFFIXES	ADD	
<b>-CP</b>	Chrome-Plated Bronze Top	700.00
<b>-HD</b>	Heavy-Duty Slotted Grate (ZN 6" x 6" only with 4" shank)	285.00
<b>-OF</b>	Oval Funnel (6", 7", 8", 10" Strainers Only) (See Z329-7)	613.00
<b>-PC</b>	Protective Cover	91.00
<b>-V</b>	Backwater Valve (Not Available with -Y)	522.00
<b>-VP</b>	Vandal-Proof Secured Top	83.00
<b>-Y</b>	Sediment Bucket (Not Available with -V)	152.00
<b>-4</b>	4" Diameter Funnel (See Z328)	613.00

BEST SELLERS	LIST PRICE
ZB400-5S	578.00
ZN400-5S	657.00
ZB400-5S-CP	1,278.00
ZB400-6S	709.00
ZB400-6S-CP	1,409.00
ZN400-6S	763.00
ZN400-6S-HD	1,048.00
ZN400-6S-VP	846.00
ZB400-8S	1,094.00
ZN400-8S	1,230.00

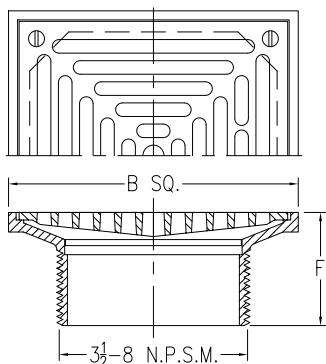
## ZS400 "TYPE SS" SQUARE STRAINER



### ENGINEERING SPECIFICATION

Zurn ZS400SS "TYPE SS" square adjustable strainer top includes heel-proof, medium-duty grate.

Strainer Designation	Dimensions in inches [mm]		Open Area sq in [cm <sup>2</sup> ]	Approximate Weight lb [kg]
	Size B	Height F		
-5SS	5 x 5 [127]	2 [51]	8-1/2 [55]	2-1/2 [1]
-6SS	6 x 6 [152]	2-1/4 [57]	13 [84]	3-1/2 [2]
-8SS	8 x 8 [203]		24-1/2 [158]	6-1/2 [3]



PREFIXES	DESCRIPTION	STRAINER DESIGNATION	LIST PRICE
<b>ZS400*</b>	Type 304 (CF8) Stainless Steel Top	-5SS	1,301.00
		-6SS	1,658.00
		-8SS	2,342.00
<b>ZM400</b>	Type 316 (CF8M) Stainless Steel Top	-5SS	POA
		-6SS	POA
		-8SS	POA

SUFFIXES	ADD	
<b>-VP</b>	Vandal-Proof Secured Top	83.00
<b>-Y</b>	Stainless Steel Sediment Bucket	152.00

BEST SELLERS	LIST PRICE
ZS400-5SS	1,301.00
ZS400-6SS	1,658.00
ZS400-8SS	2,342.00

\*Regularly furnished unless otherwise specified.

Items designated as Best Sellers are most specified and are generally in stock for shipment.

⌚ This symbol denotes a product that is engineered to reduce installation and rework time.

For additional product information, please visit [www.zurn.com](http://www.zurn.com)

Patent [zurn.com/patents](http://zurn.com/patents)

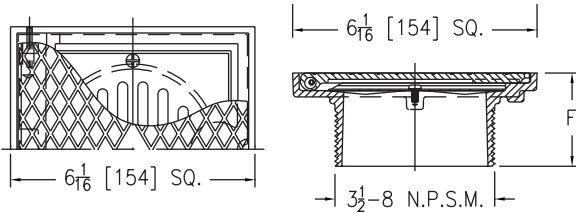
## Z400 "TYPE SC" SQUARE STRAINER WITH SOLID HINGED COVER



### ENGINEERING SPECIFICATION

Zurn Z( )400SC "TYPE SC" square adjustable strainer top includes secondary strainer and solid, scoriated, hinged, light-duty cover. (Specify ZB or ZN finish).

Strainer Designation	Dimensions in inches [mm]		Approximate Weight lb [kg]
	Size B	Height F	
-6SC	6 [152]	2-15/16 [75]	7 [3]



PREFIXES	DESCRIPTION	STRAINER DESIGNATION	LIST PRICE
<b>ZN400*</b>	Polished Nickel Bronze Top	-6SC	<b>1,517.00</b>
<b>ZB400</b>	Polished Bronze Top	-6SC	<b>1,291.00</b>
SUFFIXES			ADD
-CP	Chrome-Plated		<b>700.00</b>
-GC	Gasketed Cover		<b>119.00</b>
-LR	Lift Ring		<b>308.00</b>
-TS	Top Secured with Slotted Screw		<b>83.00</b>
-VP	Vandal-Proof Secured Top		<b>83.00</b>
-Y	Sediment Bucket		<b>152.00</b>

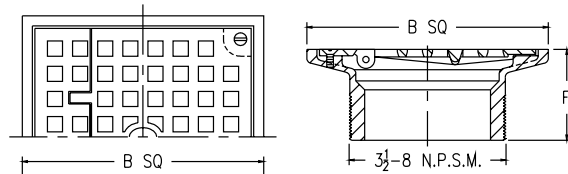
## Z400 "TYPE SH" SQUARE HINGED STRAINER



### ENGINEERING SPECIFICATION

Zurn Z( )400SH "TYPE SH" square adjustable strainer top includes light-duty hinged grate. (Specify ZB or ZN finish.)

Strainer Designation	Dimensions in inches [mm]		Open Area sq in [cm <sup>2</sup> ]	Approximate Weight lb [kg]
	Size B	Height F		
-6SH	6 x 6 [152]	2-1/4 [57]	12 [77]	4 [2]
-8SH	8 x 8 [203]	3 [76]	21 [135]	8 [4]



PREFIXES	DESCRIPTION	STRAINER DESIGNATION	LIST PRICE
<b>ZN400*</b>	Polished Nickel Bronze Top	-6SH	<b>1,154.00</b>
		-8SH	<b>1,616.00</b>
<b>ZB400</b>	Polished Bronze Top	-6SH	<b>1,107.00</b>
		-8SH	<b>1,483.00</b>
SUFFIXES			ADD
-V	Backwater Valve (Not Available with -Y)		<b>522.00</b>
-VP	Vandal-Proof Secured Top		<b>83.00</b>
-Y	Sediment Bucket (Not Available with -Y)		<b>152.00</b>
BEST SELLER			LIST PRICE
ZN400-6SH			<b>1,154.00</b>

## 🕒 Z400-SR FLOOR DRAIN STABILIZER RING

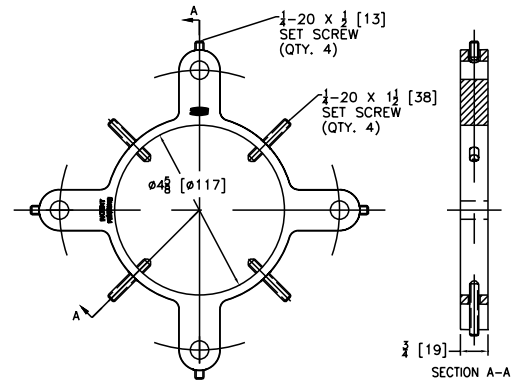


### ENGINEERING SPECIFICATION

Zurn Z400-SR floor drain stabilizer ring features Dura-Coated cast iron ring with four 1/4"-20 x 1/2" securing screws, four 1/4"-20 x 1-1/2" securing screws, and four 3/8"-16 x 7" long threaded rods. Stabilizer ring is designed to accommodate 2", 3", and 4" pipe and used with 8-3/8" diameter (Z415) drain body.

A Pipe Size inches [mm]	Approximate Weight lb [kg]
2 [51], 3 [76], 4 [102]	3 [1]

PREFIXES	DESCRIPTION	A PIPE SIZE	LIST PRICE
Z400-SR*	Stabilizer Ring	2", 3", 4"	168.00



## Z400-U ADJUSTABLE STRAINER EXTENSION

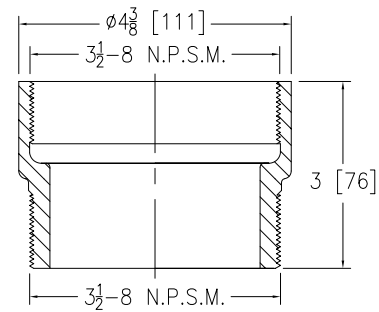


### ENGINEERING SPECIFICATION

Zurn Z400-U "Type U" adjustable strainer extension is used as a drain extension, but also as a hub drain.

Product Designation	Size inch [mm]	Approximate Weight lb [kg]
-U	3-1/2 [89]	2 [1]

PREFIXES	DESCRIPTION	A PIPE SIZE	LIST PRICE
Z400-U*	D.C.C.I.	3-1/2"	195.00
ZN400-U	Cast Nickel Bronze Body	3-1/2"	363.00
<b>BEST SELLER</b>			<b>LIST PRICE</b>
Z400-U			195.00



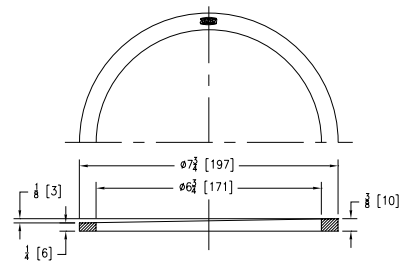
## 🕒 Z400-18 LEVELING RING



### ENGINEERING SPECIFICATION

Zurn Z400-18 with Dura-Coated cast iron tapered ring can level Z415 clamp collar for 1/8" out-of-level conditions.

PREFIXES	DESCRIPTION	LIST PRICE
Z400-18*	Leveling Ring	54.00



\*Regularly furnished unless otherwise specified.

Items designated as Best Sellers are most specified and are generally in stock for shipment.

🕒 This symbol denotes a product that is engineered to reduce installation and rework time.

For additional product information, please visit [www.zurn.com](http://www.zurn.com)  
Patent [zurn.com/patents](http://zurn.com/patents)



## 🕒 Z499B ROUND PROTECTIVE COVER FOR FLOOR DRAINS

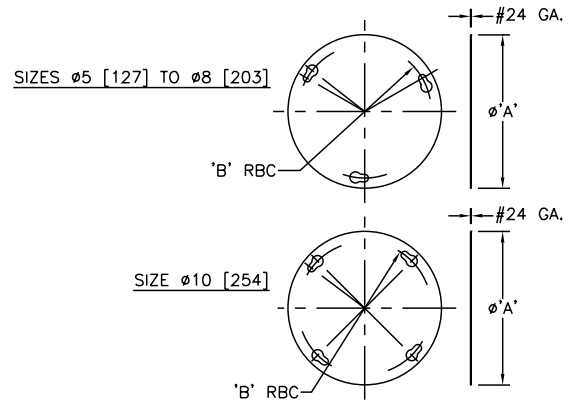


### ENGINEERING SPECIFICATION

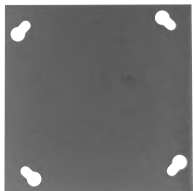
Zurn Z499B floor drain protective cover features galvanized carbon steel plate with slotted screw holes to allow rotational assembly and removal without disengaging the strainer screws. Designed for use with standard ZB and ZN400 'Type B' strainer assemblies.

Product Designation	No. of Screw Slots	Diameter A inch [mm]	B RBC inch [mm]
-5	3	5-3/16 [132]	2-1/4 [57]
-6		6-3/16 [157]	2-3/4 [70]
-7		7 [178]	3-1/8 [79]
-8	4	8 [203]	3-5/8 [92]
-10		9-5/8 [244]	4-1/8 [104]

PREFIXES	DESCRIPTION	PRODUCT DESIGNATION	LIST PRICE
Z499B*	Floor Drain Protective Cover	-5, -6, -7, -8, -10	96.00



## 🕒 Z499S SQUARE PROTECTIVE COVER FOR FLOOR DRAINS

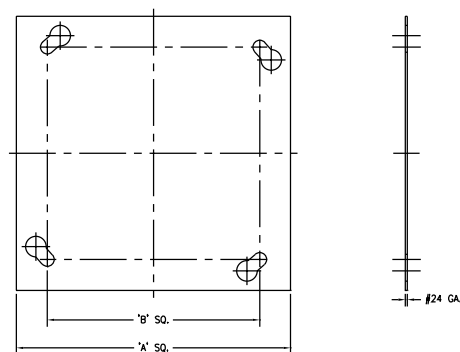


### ENGINEERING SPECIFICATION

Zurn Z499S floor drain protective cover features galvanized carbon steel plate with slotted screw holes to allow rotational assembly and removal without disengaging the strainer screws. Designed for use with standard ZB and ZN400 'Type S' strainer assemblies.

Product Designation	No. of Screw Slots	Diameter A inch [mm]	B RBC inch [mm]
-5	4	5 [127]	3-7/8 [98]
-6		6 [152]	4-7/8 [124]
-7		7 [178]	6 [152]
-8		8 [203]	7-1/8 [181]
-9		9 [229]	
-10		10 [254]	

PREFIXES	DESCRIPTION	PRODUCT DESIGNATION	LIST PRICE
Z499S*	Floor Drain Protective Cover	-5, -6, -7, -8, -10	96.00

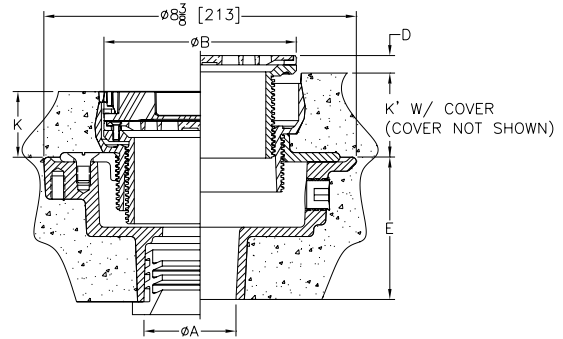


# 🕒 Z415-BZ1 BODY ASSEMBLY W/ "TYPE B" STRAINER AND EZ1™ TECHNOLOGY



## ENGINEERING SPECIFICATION

Zurn Z415-BZ1 floor and shower drain features Dura-coated cast iron body with bottom outlet, combination invertible membrane clamp and adjustable collar with seepage slots, and top assembly. EZ1 drainage series is engineered to simplify product installation, comprised of concrete shield, up to 1" [25] of vertical post pour adjustment, pre-packaged shims for tilt correction and integrated self-contained "Type B" light duty strainer with rough-in cover for protection during concrete pour.



## NOTES

Minimum K dimension only with -LR option for 6" and 8"

Strainer Designation	Dimensions in inches								Strainer Open Area Sq. In [cm <sup>2</sup> ]	Approximate Weight lb [kg]
	A Pipe Size	B Strainer Dia.	D		K		K'			
			Min.	Max.	Min.	Max.	Min.	Max.		
-5B	2-3 [51-76]	5 [127]	0	1 [25]	1-25/32 [45]	2-31/32 [75]	2-9/32 [58]	3-15/32 [88]	6-1/4 [40]	16 [7]
-6B	2-3-4 [51-76-102]	6 [152]	0	1 [25]	1-13/16 [46]	3 [76]	2-5/16 [59]	3-1/2 [89]	9 [58]	19 [9]
-8B	3-4 [76-102]	8 [203]	0	31/32 [25]	2-5/32 [55]	3-11/32 [85]	2-21/32 [67]	3-27/32 [98]	20 [129]	24 [11]
-8B	6 [152]	8 [203]	0	31/32 [25]	2-5/32 [55]	3-11/32 [85]	2-21/32 [67]	3-27/32 [98]	20 [129]	26 [12]

PREFIXES	DESCRIPTION	STRAINER DESIG.	PIPE SIZE	LIST PRICE
<b>ZN415-BZ1*</b>	D.C.C.I. Body Assembly with Polished Nickel Bronze Top	-5B	2", 3"	<b>665.00</b>
		-6B	2", 3", 4"	<b>810.00</b>
		-8B	3", 4" 6"	<b>1,166.00</b> <b>1,908.00</b>
<b>ZB415-BZ1</b>	D.C.C.I. Body Assembly with Polished Bronze Top	-5B	2", 3"	<b>632.00</b>
		-6B	2", 3", 4"	<b>733.00</b>
		-8B	3", 4" 6"	<b>1,105.00</b> <b>1,848.00</b>
<b>ZS415-BZ1</b>	D.C.C.I. Body Assembly with Stainless Steel Top	-5B	2", 3"	<b>1,426.00</b>
		-6B	2", 3", 4"	<b>1,775.00</b>
		-8B	3", 4" 6"	<b>2,399.00</b> <b>3,141.00</b>

OUTLETS (SPECIFY PIPE SIZE IN INCHES AND TYPE OF OUTLET)				
OUTLET TYPE		PIPE SIZE/ OUTLET TYPE	E BODY HT. DIM.	ADD
<b>IC</b>	Inside Caulk	2IC, 3IC, 4IC	4-3/16"	<b>N/C</b>
<b>IP</b>	Threaded	2IP	2-7/16"	<b>114.00</b>
		3IP	2-3/4"	<b>114.00</b>
		4IP	2-13/16"	<b>114.00</b>
		6IP	2-7/8"	<b>114.00</b>
<b>NH</b>	No-Hub	2NH, 3NH, 4NH	3-13/16"	<b>N/C</b>
<b>NL</b>	Neo-Loc	2NL, 3NL, 4NL	3-7/8"	<b>N/C</b>

SUFFIXES		ADD	
🕒 <b>-EF</b>	3/4" Extension Frame	<b>411.00</b>	
<b>-G</b>	Galvanized Cast Iron	<b>273.00</b>	
<b>-LR</b>	Low Rough-In (For 6" & 8" Only)	<b>N/C</b>	
<b>-P</b>	Trap Primer Connection (Specify 1/2"*)	<b>N/C</b>	
🕒 <b>-SA</b>	Stabilizer Assembly (See Z1035)	<b>193.00</b>	
🕒 <b>-SQ</b>	Stabilizer Q-deck (See Z1035-Q)	<b>255.00</b>	
🕒 <b>-SR</b>	Stabilizer Ring (See Z400-SR)	<b>168.00</b>	
🕒 <b>-TC</b>	Neo-Loc Test Cap Gasket (2", 3", 4" NL Bottom Outlet Only)	<b>36.00</b>	
<b>-TSP</b>	Trap Seal Protection Device (Size Matches Drain Outlet Selected, See Z1072)	<b>POA</b>	
<b>-U</b>	2"-3-1/4" High Extension Adapter	D.C.	<b>195.00</b>
		Galv.	<b>422.00</b>
<b>-UP</b>	1-3/4" Pre-Pour Adjustment Extension Adapter	<b>195.00</b>	
<b>-VP</b>	Vandal-Proof Secured Top	<b>83.00</b>	
<b>-Y</b>	Sediment Bucket	<b>152.00</b>	

BEST SELLERS	LIST PRICE
ZN415-2NH-BZ1	<b>665.00</b>
ZN415-3NH-BZ1	<b>665.00</b>
ZN415-3NH-6BZ1	<b>810.00</b>

\*Regularly furnished unless otherwise specified.

Items designated as Best Sellers are most specified and are generally in stock for shipment.

🕒 This symbol denotes a product that is engineered to reduce installation and rework time.

For additional product information, please visit [www.zurn.com](http://www.zurn.com)

Patent [zurn.com/patents](http://zurn.com/patents)

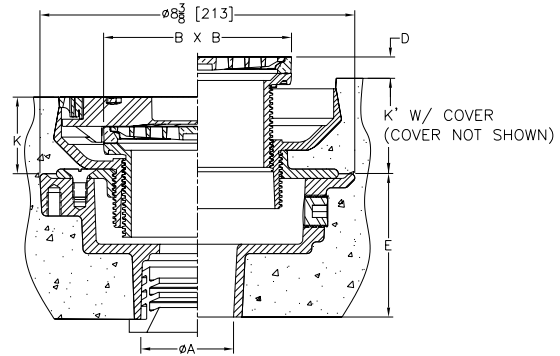
INTRO  
ROOF DRAINS  
FLOOR DRAINS  
T, P, BW VALVES  
INTERCEPTORS  
CARRIERS  
HYDRANTS  
CLEANOUTS  
WHA  
SS DRAINS  
SANI-FLOOR  
TECH INFO

# ⌚ Z415-SZ1 BODY ASSEMBLY W/ "TYPE S" STRAINER AND EZ1™ TECHNOLOGY



## ENGINEERING SPECIFICATION

Zurn Z415-SZ1 floor and shower drain features Dura-coated cast iron body with bottom outlet, combination invertible membrane clamp, and adjustable collar with seepage slots and top assembly. EZ1 drainage series is engineered to simplify product installation, comprised of concrete shield, up to 1" [25] of vertical post pour adjustment, pre-packaged shims for tilt correction and integrated self-contained "Type S" nickel bronze light duty strainer with rough-in cover for protection during concrete pour.



## NOTES

Minimum K dimension only with -LR option

Strainer Designation	Dimensions in inches								Strainer Open Area Sq. In [cm <sup>2</sup> ]	Approximate Weight lb [kg]
	A Pipe Size	BxB Strainer Top Size	D		K		K'			
			Min.	Max.	Min.	Max.	Min.	Max.		
-5S	2-3 [51-76]	5 X 5 [127 X 127]	0	1 [25]	2-1/16 [52]	3-1/4 [83]	2-9/16 [65]	3-3/4 [95]	9 [58]	19 [9]
-6S	2-3-4 [51-76-102]	6 X 6 [152 X 152]	0	1 [25]	2-1/8 [54]	3-5/16 [84]	2-5/8 [67]	3-13/16 [97]	13 [84]	22 [10]
-8S	3-4 [76-102]	8 X 8 [203 X 203]	0	15/16 [24]	2-1/2 [64]	3-11/16 [94]	3 [76]	4-3/16 [106]	27 [174]	27 [12]
-8S	6 [152]	8 X 8 [203 X 203]	0	15/16 [24]	2-1/2 [64]	3-11/16 [94]	3 [76]	4-3/16 [106]	27 [174]	28 [13]

PREFIXES	DESCRIPTION	STRAINER DESIG.	PIPE SIZE	LIST PRICE
<b>ZN415-SZ1*</b>	D.C.C.I. Body Assembly with Polished Nickel Bronze Top	-5S	2", 3"	<b>808.00</b>
		-6S	2", 3", 4"	<b>900.00</b>
		-8S	3", 4"	<b>1,306.00</b>
<b>ZB415-SZ1</b>	D.C.C.I. Body Assembly with Polished Bronze Top	-5S	2", 3"	<b>742.00</b>
		-6S	2", 3", 4"	<b>852.00</b>
		-8S	3", 4"	<b>1,185.00</b>
<b>ZS415-SZ1</b>	D.C.C.I. Body Assembly with Stainless Steel Top	-5S	2", 3"	<b>1,365.00</b>
		-6S	2", 3", 4"	<b>1,673.00</b>
		-8S	3", 4"	<b>2,266.00</b>

OUTLETS (SPECIFY PIPE SIZE IN INCHES AND TYPE OF OUTLET)				
OUTLET TYPE		PIPE SIZE/ OUTLET TYPE	E BODY HT. DIM.	ADD
<b>IC</b>	Inside Caulk	2IC, 3IC, 4IC	4-3/16"	<b>N/C</b>
<b>IP</b>	Threaded	2IP	2-7/16"	<b>114.00</b>
		3IP	2-3/4"	<b>114.00</b>
		4IP	2-13/16"	<b>114.00</b>
		6IP	2-7/8"	<b>114.00</b>
<b>NH</b>	No-Hub	2NH, 3NH, 4NH	3-13/16"	<b>N/C</b>
<b>NL</b>	Neo-Loc	2NL, 3NL, 4NL	3-7/8"	<b>N/C</b>

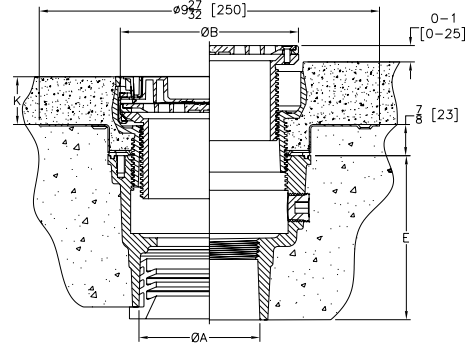
SUFFIXES		ADD	
⌚ <b>-EF</b>	3/4" Extension Frame	<b>411.00</b>	
<b>-G</b>	Galvanized Cast Iron	<b>273.00</b>	
<b>-LR</b>	Low Rough-In	<b>N/C</b>	
<b>-P</b>	Trap Primer Connection (Specify 1/2"*)	<b>N/C</b>	
⌚ <b>-SA</b>	Stabilizer Assembly (See Z1035)	<b>193.00</b>	
⌚ <b>-SQ</b>	Stabilizer Q-deck (See Z1035-Q)	<b>255.00</b>	
⌚ <b>-SR</b>	Stabilizer Ring (See Z400-SR)	<b>168.00</b>	
⌚ <b>-TC</b>	Neo-Loc Test Cap Gasket (2", 3", 4" NL Bottom Outlet Only)	<b>36.00</b>	
<b>-TSP</b>	Trap Seal Protection Device (Size Matches Drain Outlet Selected, See Z1072)	<b>POA</b>	
<b>-U</b>	2"-3-1/4" High Extension Adapter	D.C.	<b>195.00</b>
		Galv.	<b>422.00</b>
<b>-UP</b>	1-3/4" Pre-Pour Adjustment Extension Adapter	<b>195.00</b>	
<b>-VP</b>	Vandal-Proof Secured Top	<b>83.00</b>	
<b>-Y</b>	Sediment Bucket	<b>152.00</b>	

## 🕒 Z415-BZ1-DP BODY ASSEMBLY W/ "TYPE B" STRAINER, DECK PLATE AND EZ1™ TECHNOLOGY



### ENGINEERING SPECIFICATION

Zurn Z415-BZ1-DP floor and shower drain features Dura-Coated cast iron body with bottom outlet, stainless steel deck plate and top assembly. EZ1 drainage series is engineered to simplify product installation, comprised of concrete shield to provide up to 1" [25] of vertical post pour adjustment, pre-packaged shims for tilt correction, and integrated, self-contained "Type B" light duty strainer with rough-in cover for protection during concrete pour.



Strainer Designation	Dimensions in inches				Strainer Open Area Sq. In [cm <sup>2</sup> ]	Approximate Weight lb [kg]
	A Pipe Size	B Strainer Diameter	K			
			Min.	Max.		
-5B	2-3-4 [51-76-102]	5 [127]	29/32 [23]	1-13/16 [46]	6-1/4 [40]	14 [6]

PREFIXES	DESCRIPTION	STRAINER DESIG.	PIPE SIZE	LIST PRICE
<b>ZN415-5BZ1-DP*</b>	D.C.C.I. Body Assembly with Polished Nickel Bronze Top	-5B	2", 3", 4"	<b>828.00</b>
<b>ZB415-5BZ1-DP</b>	D.C.C.I. Body Assembly with Polished Bronze Top	-5B	2", 3", 4"	<b>797.00</b>
<b>ZS415-5BZ1-DP</b>	D.C.C.I. Body Assembly with Stainless Steel Top	-5B	2", 3", 4"	<b>1,522.00</b>

OUTLETS (SPECIFY PIPE SIZE IN INCHES AND TYPE OF OUTLET)				
OUTLET TYPE		PIPE SIZE/ OUTLET TYPE	E BODY HT. DIM.	ADD
NH	No-Hub	2NH, 3NH	4-3/4"	N/C
		4NH	4-3/8"	N/C
NL	Neo-Loc	2NL	5-1/4"	N/C
		3NL, 4NL	4-3/8"	N/C

SUFFIXES		ADD	
-AR	Acid Resisting Epoxy Coated Cast Iron	<b>236.00</b>	
-CC	Stainless Steel Clamp Collar	<b>78.00</b>	
🕒 -EF	3/4" Extension Frame	<b>411.00</b>	
-G	Galvanized Cast Iron	<b>273.00</b>	
-P	Trap Primer Connection (1/2"*)	<b>N/C</b>	
🕒 -TC	Neo-Loc Test Cap Gasket (2", 3", 4" NL Bottom Outlet Only)	<b>36.00</b>	
-TSP	Trap Seal Protection Device (Size Matches Drain Outlet Selected, Not Available in 4", See Z1072)	<b>POA</b>	
-U	2"-3-1/4" High Extension Adapter	D.C.	<b>195.00</b>
		Galv.	<b>422.00</b>
-UP	1-3/4" Pre-Pour Adjustment Extension Adapter	<b>195.00</b>	
-VP	Vandal-Proof Secured Top	<b>83.00</b>	
-Y	Sediment Bucket	<b>152.00</b>	

\*Regularly furnished unless otherwise specified.

Items designated as Best Sellers are most specified and are generally in stock for shipment.

🕒 This symbol denotes a product that is engineered to reduce installation and rework time.

For additional product information, please visit [www.zurn.com](http://www.zurn.com)

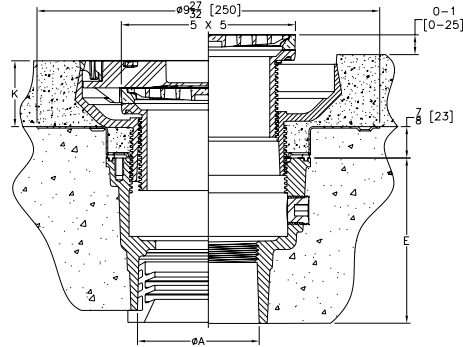
Patent [zurn.com/patents](http://zurn.com/patents)

## Ⓢ Z415-SZ1-DP BODY ASSEMBLY W/ "TYPE S" STRAINER, DECK PLATE AND EZ1™ TECHNOLOGY



### ENGINEERING SPECIFICATION

Zurn Z415-SZ1-DP floor and shower drain features Dura-Coated cast iron body with bottom outlet, stainless steel deck plate, and top assembly. EZ1 drainage series is engineered to simplify product installation, comprised of concrete shield to provide up to 1" [25] of vertical post pour adjustment, pre-packaged shims for tilt correction, and integrated, self-contained "Type S" light duty strainer with rough-in cover for protection during concrete pour.



Strainer Designation	Dimensions in inches				Strainer Open Area Sq. In [cm <sup>2</sup> ]	Approximate Weight lb [kg]
	A Pipe Size	BxB Strainer Top Size	K			
			Min.	Max.		
-5S	2-3-4 [51-76-102]	5 X 5 [127 X127]	1-15/16 [49]	2-3/32 [53]	9 [58]	16 [7]

PREFIXES	DESCRIPTION	STRAINER DESIG.	PIPE SIZE	LIST PRICE
<b>ZN415-5SZ1-DP*</b>	D.C.C.I. Body Assembly with Polished Nickel Bronze Top	-5S	2", 3", 4"	<b>1,063.00</b>
<b>ZB415-5SZ1-DP</b>	D.C.C.I. Body Assembly with Polished Bronze Top	-5S	2", 3", 4"	<b>1,057.00</b>
<b>ZS415-5SZ1-DP</b>	D.C.C.I. Body Assembly with Stainless Steel Top	-5S	2", 3", 4"	<b>1,829.00</b>

OUTLETS (SPECIFY PIPE SIZE IN INCHES AND TYPE OF OUTLET)				
OUTLET TYPE		PIPE SIZE/ OUTLET TYPE	E BODY HT. DIM.	ADD
<b>NH</b>	No-Hub	2NH, 3NH	4-3/4"	<b>N/C</b>
		4NH	4-3/8"	<b>N/C</b>
<b>NL</b>	Neo-Loc	2NL	5-1/4"	<b>N/C</b>
		3NL, 4NL	4-3/8"	<b>N/C</b>

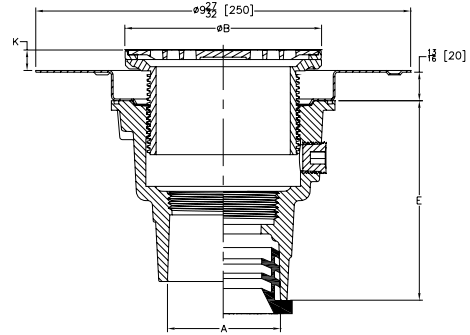
SUFFIXES		ADD	
<b>-AR</b>	Acid Resisting Epoxy Coated Cast Iron	<b>236.00</b>	
Ⓢ <b>-CC</b>	Stainless Steel Clamp Collar	<b>78.00</b>	
<b>-EF</b>	3/4" Extension Frame	<b>411.00</b>	
<b>-G</b>	Galvanized Cast Iron	<b>273.00</b>	
<b>-P</b>	Trap Primer Connection (1/2"*)	<b>N/C</b>	
Ⓢ <b>-TC</b>	Neo-Loc Test Cap Gasket (2", 3", 4" NL Bottom Outlet Only)	<b>36.00</b>	
<b>-TSP</b>	Trap Seal Protection Device (Size Matches Drain Outlet Selected, Not Available in 4", See Z1072)	<b>POA</b>	
<b>-U</b>	2"-3-1/4" High Extension Adapter	D.C.	<b>195.00</b>
		Galv.	<b>422.00</b>
<b>-UP</b>	1-3/4" Pre-Pour Adjustment Extension Adapter	<b>195.00</b>	
<b>-VP</b>	Vandal-Proof Secured Top	<b>83.00</b>	
<b>-Y</b>	Sediment Bucket	<b>152.00</b>	

## 🕒 Z415B-DP BODY ASSEMBLY W/ "TYPE B" STRAINER AND DECK PLATE



### ENGINEERING SPECIFICATION

Zurn Z415B-DP floor and shower drain features Dura-Coated cast iron body with bottom outlet, stainless steel deck plate, and "Type B" polished nickel bronze light duty top assembly.



Strainer Designation	Dimensions in inches				Strainer Open Area Sq. In [cm <sup>2</sup> ]	Approximate Weight lb [kg]
	A Pipe Size	B Strainer Diameter	K			
			Min.	Max.		
-5B	2-3-4 [51-76-102]	5 [127]	0	1-7/16 [37]	6-1/4 [40]	11 [5]

PREFIXES	DESCRIPTION	STRAINER DESIG.	PIPE SIZE	LIST PRICE
<b>ZN415-B-DP*</b>	D.C.C.I. Body Assembly with Polished Nickel Bronze Top	-5B	2", 3", 4"	<b>875.00</b>
<b>ZB415-B-DP</b>	D.C.C.I. Body Assembly with Polished Bronze Top	-5B	2", 3", 4"	<b>843.00</b>
<b>ZS415-B-DP</b>	D.C.C.I. Body Assembly with Stainless Steel Top	-5B	2", 3", 4"	<b>1,610.00</b>

OUTLETS (SPECIFY PIPE SIZE IN INCHES AND TYPE OF OUTLET)				
OUTLET TYPE		PIPE SIZE/ OUTLET TYPE	E BODY HT. DIM.	ADD
<b>NH</b>	No-Hub	2NH	4-7/8"	<b>N/C</b>
		3NH	4-3/4"	<b>N/C</b>
		4NH	4"	<b>N/C</b>
<b>NL</b>	Neo-Loc	2NL	5-1/4"	<b>N/C</b>
		3NL	4-3/8"	<b>N/C</b>
		4NL	4-3/8"	<b>N/C</b>

SUFFIXES		ADD	
<b>-AR</b>	Acid Resisting Epoxy Coated Cast Iron	<b>236.00</b>	
<b>-CC</b>	Stainless Steel Clamp Collar	<b>78.00</b>	
🕒 <b>-EF</b>	3/4" Extension Frame	<b>411.00</b>	
<b>-FI</b>	Floor Insert	<b>83.00</b>	
<b>-G</b>	Galvanized Cast Iron	<b>273.00</b>	
<b>-P</b>	Trap Primer Connection (1/2"*)	<b>N/C</b>	
🕒 <b>-TC</b>	Neo-Loc Test Cap Gasket (2", 3", 4" NL Bottom Outlet Only)	<b>36.00</b>	
<b>-U</b>	2"-3-1/4" High Extension Adapter	D.C.	<b>195.00</b>
		Galv.	<b>422.00</b>
<b>-VP</b>	Vandal-Proof Secured Top	<b>83.00</b>	
<b>-Y</b>	Sediment Bucket	<b>152.00</b>	

\*Regularly furnished unless otherwise specified.

Items designated as Best Sellers are most specified and are generally in stock for shipment.

🕒 This symbol denotes a product that is engineered to reduce installation and rework time.

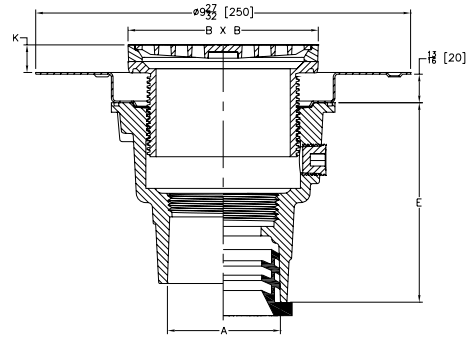
For additional product information, please visit [www.zurn.com](http://www.zurn.com)  
Patent [zurn.com/patents](http://zurn.com/patents)

## Ⓢ Z415S-DP BODY ASSEMBLY W/ "TYPE S" STRAINER AND DECK PLATE



### ENGINEERING SPECIFICATION

Zurn Z415S-DP floor and shower drain, Dura-Coated cast iron body with bottom outlet, stainless steel deck plate, and "Type S" polished nickel bronze light duty top assembly.



Strainer Designation	Dimensions in inches				Strainer Open Area Sq. In [cm <sup>2</sup> ]	Approximate Weight lb [kg]
	A Pipe Size	BxB Strainer Top Size	K			
			Min.	Max.		
-5S	2-3-4 [51-76-102]	5 X 5 [127 X 127]	7/16 [11]	1-7/16 [37]	9 [58]	12 [5]

PREFIXES	DESCRIPTION	STRAINER DESIG.	PIPE SIZE	LIST PRICE
<b>ZN415-S-DP*</b>	D.C.C.I. Body Assembly with Polished Nickel Bronze Top	-5S	2", 3", 4"	<b>1,063.00</b>
<b>ZB415-S-DP</b>	D.C.C.I. Body Assembly with Polished Bronze Top	-5S	2", 3", 4"	<b>1,057.00</b>
<b>ZS415-S-DP</b>	D.C.C.I. Body Assembly with Stainless Steel Top	-5S	2", 3", 4"	<b>1,829.00</b>

OUTLETS (SPECIFY PIPE SIZE IN INCHES AND TYPE OF OUTLET)				
OUTLET TYPE		PIPE SIZE/ OUTLET TYPE	E BODY HT. DIM.	ADD
<b>NH</b>	No-Hub	2NH	4-7/8"	<b>N/C</b>
		3NH	4-3/4"	<b>N/C</b>
		4NH	4"	<b>N/C</b>
<b>NL</b>	Neo-Loc	2NL	5-1/4"	<b>N/C</b>
		3NL	4-3/8"	<b>N/C</b>
		4NL	4-3/8"	<b>N/C</b>

SUFFIXES		ADD	
<b>-AR</b>	Acid Resisting Epoxy Coated Cast Iron	<b>236.00</b>	
<b>-CC</b>	Stainless Steel Clamp Collar	<b>78.00</b>	
Ⓢ <b>-EF</b>	3/4" Extension Frame	<b>411.00</b>	
<b>-G</b>	Galvanized Cast Iron	<b>273.00</b>	
<b>-P</b>	Trap Primer Connection (1/2"*)	<b>N/C</b>	
Ⓢ <b>-TC</b>	Neo-Loc Test Cap Gasket (2", 3", 4" NL Bottom Outlet Only)	<b>36.00</b>	
<b>-U</b>	2"-3-1/4" High Extension Adapter	D.C.	<b>195.00</b>
		Galv.	<b>422.00</b>
<b>-VP</b>	Vandal-Proof Secured Top	<b>83.00</b>	
<b>-Y</b>	Sediment Bucket	<b>152.00</b>	

# Z415 BODY ASSEMBLY WITH HEEL-PROOF "TYPE B" STRAINER

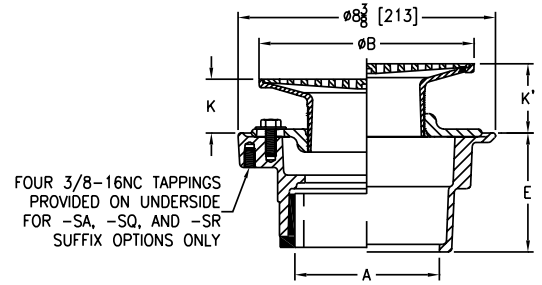


## ENGINEERING SPECIFICATION

Zurn ZN415B floor and shower drain features Dura-Coated cast iron body with bottom outlet, combination invertible membrane clamp and adjustable collar with seepage holes, and "TYPE B" polished nickel bronze, light-duty strainer.

## NOTES

For other available strainer variations see Z400 Strainer Series. Add price for required strainer to "BODY ONLY" price in chart. Specify type and size required.



Strainer Designation	Dimensions in inches [mm]						Str. Open Area sq in [cm <sup>2</sup> ]	Approximate Weight lb [kg]
	A Pipe Size	B Diameter	K		K			
			Min.	Max.	Min.	Max.		
-5B	2 [51], 3 [76]	5 [127]	1 [25]	1-1/2 [38]	1-3/32 [27]	2-1/4 [57]	6-1/4 [40]	11 [5]
-6B	2 [51], 3 [76], 4 [102]	6 [152]		1-25/32 [45]	1-13/32 [36]	2-17/32 [64]	9 [58]	13 [6]
-7B			7 [178]	2-1/8 [54]	1-23/32 [44]	2-7/8 [73]	12 [77]	14 [6]
-8B	3 [76], 4 [102]	8 [203]	1-5/32 [29]		1-3/4 [44]		19 [122]	16 [7]
-10B	6 [152]	10 [254]	1-7/16 [37]	2-1/2 [64]	2 [51]	3-1/4 [83]	23 [148]	22 [10]

PREFIXES	DESCRIPTION	STRAINER DESIG.	PIPE SIZE	LIST PRICE
ZN415*	D.C.C.I. Body Assembly with Polished Nickel Bronze Top	-5B	2", 3"	665.00
		-6B	2", 3", 4"	810.00
		-7B	2", 3", 4"	933.00
		-8B	3", 4"	1,166.00
			6"	1,908.00
		-10B	6"	2,335.00
ZB415	D.C.C.I. Body Assembly with Polished Bronze Top	-5B	2", 3"	632.00
		-6B	2", 3", 4"	733.00
		-7B	2", 3", 4"	886.00
		-8B	3", 4"	1,105.00
			6"	1,848.00
Z415	D.C.C.I. Body Assembly ONLY (add "-L/Top" to product sku)	No Strainer	2", 3", 4"	269.00
			6"	1,012.00

OUTLETS (SPECIFY PIPE SIZE IN INCHES AND TYPE OF OUTLET)			
OUTLET TYPE	PIPE SIZE/ OUTLET TYPE	E BODY HT. DIM.	ADD
IC	Inside Caulk	2IC, 3IC, 4IC	4-3/16" N/C
IP	Threaded	2IP	2-7/16" 114.00
		3IP	2-3/4" 114.00
		4IP	2-13/16" 114.00
		6IP	2-7/8" 114.00
NH	No-Hub	2NH, 3NH, 4NH	3-13/16" N/C
NL	Neo-Loc	2NL, 3NL, 4NL	3-7/8" N/C

BEST SELLERS	LIST PRICE
ZB415-2NH-5B	632.00
ZB415-2NH-5B-CP	1,332.00
ZB415-2NH-5B-P	632.00
ZB415-2NL-5B	632.00
ZN415-2IP-5B	779.00
ZN415-2NH-5B	665.00
ZN415-2NH-5B-CP	1,365.00
ZN415-2NH-5B-G	938.00
ZN415-2NL-5B	665.00

SUFFIXES	ADD
-AR	Acid Resisting Epoxy Coated Cast Iron 236.00
-CP	Chrome-Plated Bronze Top 700.00
Ⓢ -EF	3/4" Extension Frame 411.00
-G	Galvanized Cast Iron 273.00
-HD	Heavy-Duty Slotted Grate (ZN 5" and 6" sizes only) 285.00
-OF	Oval Funnel - 7" thru 10" Strainers Only (See ZN 2329-7) 613.00
-P	Trap Primer Connection (1/2") N/C
Ⓢ -PC	Protective Cover 91.00
Ⓢ -SA	Stabilizer Assembly (See Z1035) 193.00
Ⓢ -SQ	Stabilizer Q-deck (See Z1035-Q) 255.00
Ⓢ -SR	Stabilizer Ring (See Z400-SR) 168.00
Ⓢ -TC	Neo-Loc Test Cap Gasket (2", 3", 4" NL Bottom Outlet Only) 36.00
-TSP	Trap Seal Protection Device (Size Matches Drain Outlet Selected, See Z1072) POA
-U	1"-3" High Extension Adapter (See Z400-U) D.C. 195.00
	For each additional 1" above 3" 137.00
-V	Backwater Valve (Not Available with -Y) 522.00
-VP	Vandal-Proof Secured Top 83.00
-Y	Sediment Bucket (Not Available with -V) 152.00
-4	4" Diameter Funnel ZN 613.00
-90	90° Threaded Side Outlet Body (2" and 3" Only) 302.00

BEST SELLERS	LIST PRICE
ZB415-3NH-5B	632.00
ZB415-3NH-5B-P	632.00
ZN415-3NH-5B-P	665.00
ZB415-3NH-6B	733.00
ZN415-2NH-6B	810.00
ZN415-2NH-6B-P	810.00
ZB415-3NH-7B-SA	1,079.00
ZN415-2NH-7B	933.00

\*Regularly furnished unless otherwise specified.

Items designated as Best Sellers are most specified and are generally in stock for shipment.

Ⓢ This symbol denotes a product that is engineered to reduce installation and rework time.

For additional product information, please visit [www.zurn.com](http://www.zurn.com)

Patent [zurn.com/patents](http://zurn.com/patents)

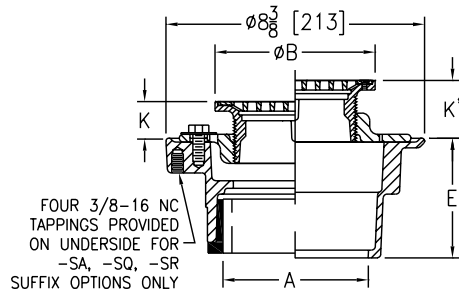


# ZS415 BODY ASSEMBLY WITH "TYPE BS" STRAINER



## ENGINEERING SPECIFICATION

Zurn ZS415BS floor and shower drain features Dura-Coated cast iron body with bottom outlet, combination invertible membrane clamp and adjustable collar with seepage slots, and "TYPE BS" stainless steel heel-proof, medium-duty strainer assembly.



Strainer Designation	Dimensions in inches [mm]						Str. Open Area sq in [cm <sup>2</sup> ]	Approximate Weight lb [kg]
	A Pipe Size	B Diameter	K		K'			
			Min.	Max.	Min.	Max.		
-5BS	2 [51], 3 [76]	5 [127]	1 [25]	1-1/2 [38]	1-3/32 [27]	2-1/4 [57]	6-3/4 [44]	10 [5]
-6BS	2 [51], 3 [76], 4 [102]	6 [152]		1-25/32 [45]	1-13/32 [36]	2-17/32 [64]	10-1/2 [68]	11 [5]
-7BS		7 [178]		2-1/8 [54]	1-23/32 [44]	2-7/8 [73]	15 [97]	12 [5]
-8BS	3 [76], 4 [102]	8 [203]	1-5/32 [29]		1-3/4 [44]		20 [129]	13 [6]
-10BS	6 [152]	10 [254]	1-7/16 [37]	2-1/2 [64]	2 [51]	3-1/4 [83]		15 [7]

PREFIXES	DESCRIPTION	STRAINER DESIG.	PIPE SIZE	LIST PRICE
<b>ZS415*</b>	D.C.C.I. Body Assembly with Type 304 Stainless Steel Top	-5BS	2", 3"	<b>1,426.00</b>
		-6BS	2", 3", 4"	<b>1,775.00</b>
		-7BS	2", 3", 4"	<b>2,298.00</b>
		-8BS	3", 4"	<b>2,399.00</b>
		-10BS	6"	<b>3,141.00</b>
<b>ZM415</b>	D.C.C.I. Body Assembly with Type 316 (CF8M) Stainless Steel Top	-5BS	2", 3"	<b>POA</b>
		-6BS	2", 3", 4"	<b>POA</b>
		-7BS	2", 3", 4"	<b>POA</b>
		-8BS	3", 4"	<b>POA</b>
		-10BS	6"	<b>POA</b>
OUTLETS (SPECIFY PIPE SIZE IN INCHES AND TYPE OF OUTLET)				
OUTLET TYPE		PIPE SIZE/ OUTLET TYPE	E BODY HT. DIM.	ADD
<b>IC</b>	Inside Caulk	2IC, 3IC, 4IC	4-3/16"	<b>N/C</b>
<b>IP</b>	Threaded	2IP	2-7/16"	<b>114.00</b>
		3IP	2-3/4"	<b>114.00</b>
		4IP	2-13/16"	<b>114.00</b>
		6IP	2-7/8"	<b>114.00</b>
<b>NH</b>	No-Hub	2NH, 3NH, 4NH	3-13/16"	<b>N/C</b>
<b>NL</b>	Neo-Loc	2NL, 3NL, 4NL	3-7/8"	<b>N/C</b>

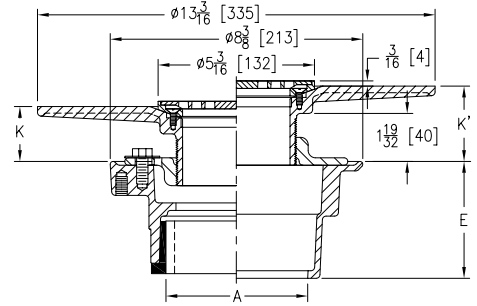
SUFFIXES		ADD
<b>-AR</b>	Acid Resisting Epoxy Coated Cast Iron	<b>236.00</b>
<b>-G</b>	Galvanized Cast Iron	<b>273.00</b>
<b>-P</b>	Trap Primer Connection (1/2")	<b>N/C</b>
<b>-TC</b>	Neo-Loc Test Cap Gasket (2", 3", 4" NL Bottom Outlet Only)	<b>36.00</b>
<b>-TSP</b>	Trap Seal Protection Device (Size Matches Drain Outlet Selected, See Z1072)	<b>POA</b>
<b>-U</b>	1"-3" High Extension Adapter (See Z400-U)	D.C. <b>195.00</b>
	For each additional 1" above 3"	Galv. <b>422.00</b>
		<b>137.00</b>
<b>-V</b>	Backwater Valve (Not Available with -Y)	<b>522.00</b>
<b>-VP</b>	Vandal-Proof Secured Top	<b>83.00</b>
<b>-Y</b>	Sediment Bucket (Not Available with -V)	<b>152.00</b>

# Z415 BODY ASSEMBLY WITH "TYPE BL" STRAINER



## ENGINEERING SPECIFICATION

Zurn ZN415BL floor and shower drain features Dura-Coated cast iron body with bottom outlet, combination invertible membrane clamp and adjustable collar with seepage slots, and "TYPE BL" D.C.C.I. wide flanged head and polished nickel bronze, light-duty strainer.



Strainer Designation	Dimensions in inches [mm]				Str. Open Area sq in [cm <sup>2</sup> ]	Approximate Weight lb [kg]	
	A Pipe Size	K		K'			
		Min.	Max.	Min.			Max.
-5BL	2 [51], 3 [76], 4 [102], 5 [127], 6 [152]	7/8 [22]	2-1/4 [57]	1-11/16 [43]	3 [76]	6-1/4 [40]	14 [6]

PREFIXES	DESCRIPTION	STRAINER DESIG.	PIPE SIZE	LIST PRICE
<b>ZN415*</b>	D.C.C.I. Body Assembly with Polished Nickel Bronze Top	-5BL	2", 3", 4", 6"	<b>2,012.00</b>
<b>ZB415</b>	D.C.C.I. Body Assembly with Polished Bronze Top	-5BL	2", 3", 4", 6"	<b>1,932.00</b>
<b>Z415</b>	D.C.C.I. Body Assembly ONLY (add "-L/Top" to product sku)	No Strainer	2", 3", 4", 6"	<b>269.00</b> <b>1,012.00</b>

OUTLETS (SPECIFY PIPE SIZE IN INCHES AND TYPE OF OUTLET)				
OUTLET TYPE		PIPE SIZE/OUTLET TYPE	E BODY HT. DIM.	ADD
<b>IC</b>	Inside Caulk	2IC, 3IC, 4IC	4-3/16"	<b>N/C</b>
<b>IP</b>	Threaded	2IP	2-7/16"	<b>114.00</b>
		3IP	2-3/4"	<b>114.00</b>
		4IP	2-13/16"	<b>114.00</b>
		6IP	2-7/8"	<b>114.00</b>
<b>NH</b>	No-Hub	2NH, 3NH, 4NH	3-13/16"	<b>N/C</b>
<b>NL</b>	Neo-Loc	2NL, 3NL, 4NL	3-7/8"	<b>N/C</b>

SUFFIXES		ADD	
<b>-AR</b>	Acid Resisting Epoxy Coated Cast Iron	<b>540.00</b>	
<b>-CP</b>	Chrome-Plated Bronze Top	<b>700.00</b>	
<b>-G</b>	Galvanized Cast Iron	<b>482.00</b>	
<b>-P</b>	Trap Primer Connection (1/2"*)	<b>N/C</b>	
Ⓢ <b>-PC</b>	Protective Cover	<b>91.00</b>	
Ⓢ <b>-SA</b>	Stabilizer Assembly (See Z1035)	<b>193.00</b>	
Ⓢ <b>-TC</b>	Neo-Loc Test Cap Gasket (2", 3", 4" NL Bottom Outlet Only)	<b>36.00</b>	
<b>-U</b>	1"-3" High Extension Adapter (See Z400-U)	D.C.	<b>195.00</b>
		Galv.	<b>497.00</b>
	For each additional 1" above 3"	<b>137.00</b>	
<b>-VP</b>	Vandal-Proof Secured Top	<b>83.00</b>	
<b>-Y</b>	Sediment Bucket	<b>152.00</b>	
<b>-90</b>	90° Threaded Side Outlet Body Assembly (2" and 3" Only)	<b>302.00</b>	
BEST SELLERS		LIST PRICE	
ZN415-2NH-5BL		<b>2,012.00</b>	
ZN415-2NH-5BL-P		<b>2,012.00</b>	
ZN415-2NL-5BL		<b>2,012.00</b>	

\*Regularly furnished unless otherwise specified.

Items designated as Best Sellers are most specified and are generally in stock for shipment.

Ⓢ This symbol denotes a product that is engineered to reduce installation and rework time.

For additional product information, please visit [www.zurn.com](http://www.zurn.com)

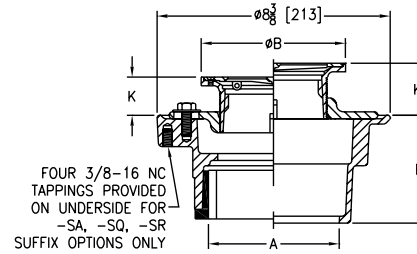
Patent [zurn.com/patents](http://zurn.com/patents)

# Z415 BODY ASSEMBLY WITH "TYPE C" STRAINER



## ENGINEERING SPECIFICATION

Zurn ZN415C floor and shower drain features Dura-Coated cast iron body with bottom outlet, combination invertible membrane clamp and adjustable collar with seepage slots, and "TYPE C" polished, hinged nickel bronze, light-duty strainer.



Strainer Designation	Dimensions in inches [mm]						Str. Open Area sq in [cm <sup>2</sup> ]	Approximate Weight lb [kg]
	A Pipe Size	B Diameter	K		K'			
			Min.	Max.	Min.	Max.		
-5C	2 [51], 3 [76]	5 [127]	1 [25]	1-1/2 [38]	1-3/32 [27]	2-1/4 [57]	8 [52]	11 [5]
-6C	2 [51], 3 [76], 4 [102]	6 [152]		1-25/32 [45]	1-13/32 [36]	2-17/32 [64]	9 [58]	13 [6]
-7C		7 [178]	2-1/8 [54]	1-23/32 [44]	2-7/8 [73]	13 [84]	14 [6]	
-8C	3 [76], 4 [102]	8 [203]		1-5/32 [29]		1-3/4 [44]	18 [116]	16 [7]
	6 [152]		18 [8]					

PREFIXES	DESCRIPTION	STRAINER DESIG.	PIPE SIZE	LIST PRICE
<b>ZN415*</b>	D.C.C.I. Body Assembly with Polished Nickel Bronze Top	-5C	2", 3"	<b>1,091.00</b>
		-6C	2", 3", 4"	<b>1,178.00</b>
		-7C	2", 3", 4"	<b>1,388.00</b>
		-8C	3", 4"	<b>1,525.00</b>
			6"	<b>2,316.00</b>
<b>ZB415</b>	D.C.C.I. Body Assembly with Polished Bronze Top	-5C	2", 3"	<b>1,041.00</b>
		-6C	2", 3", 4"	<b>1,091.00</b>
		-7C	2", 3", 4"	<b>1,336.00</b>
		-8C	3", 4"	<b>1,423.00</b>
			6"	<b>2,212.00</b>
<b>Z415</b>	D.C.C.I. Body Assembly ONLY (add "-L/Top" to product sku)	No Strainer	2", 3", 4"	<b>269.00</b>
			6"	<b>1,012.00</b>

OUTLETS (SPECIFY PIPE SIZE IN INCHES AND TYPE OF OUTLET)				
OUTLET TYPE		PIPE SIZE/ OUTLET TYPE	E BODY HT. DIM.	ADD
<b>IC</b>	Inside Caulk	2IC, 3IC, 4IC	4-13/16"	<b>N/C</b>
<b>IP</b>	Threaded	2IP	2-7/16"	<b>114.00</b>
		3IP	2-3/4"	<b>114.00</b>
		4IP	2-13/16"	<b>114.00</b>
		6IP	2-7/8"	<b>114.00</b>
<b>NH</b>	No-Hub	2NH, 3NH, 4NH	3-13/16"	<b>N/C</b>
<b>NL</b>	Neo-Loc	2NL, 3NL, 4NL	3-7/8"	<b>N/C</b>

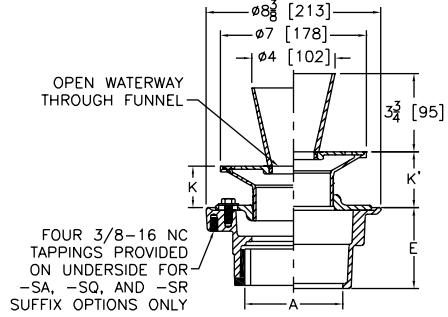
SUFFIXES		ADD	
<b>-AR</b>	Acid Resisting Epoxy Coated Cast Iron	<b>236.00</b>	
<b>-CP</b>	Chrome-Plated Bronze Top	<b>700.00</b>	
<b>-G</b>	Galvanized Cast Iron	<b>273.00</b>	
<b>-P</b>	Trap Primer Connection (1/2")	<b>N/C</b>	
Ⓢ <b>-PC</b>	Protective Cover	<b>91.00</b>	
Ⓢ <b>-SA</b>	Stabilizer Assembly (See Z1035)	<b>193.00</b>	
Ⓢ <b>-SQ</b>	Stabilizer Q-Deck (See Z1035-Q)	<b>255.00</b>	
Ⓢ <b>-SR</b>	Stabilizer Ring (See Z400-SR)	<b>168.00</b>	
Ⓢ <b>-TC</b>	Neo-Loc Test Cap Gasket (2", 3", 4" NL Bottom Outlet Only)	<b>36.00</b>	
<b>-U</b>	1"-3" High Extension Adapter (See Z400-U)	D.C.	<b>195.00</b>
		Galv.	<b>497.00</b>
	For each additional 1" above 3"	<b>137.00</b>	
<b>-V</b>	Backwater Valve (Not Available with -Y)	<b>522.00</b>	
<b>-VP</b>	Vandal-Proof Secured Top	<b>83.00</b>	
<b>-Y</b>	Sediment Bucket (Not Available with -V)	<b>152.00</b>	
<b>-90</b>	90° Threaded Side Outlet Body Assembly (2" and 3" Only)	<b>302.00</b>	
BEST SELLERS		LIST PRICE	
ZN415-2NH-5C		<b>1,091.00</b>	
ZN415-2NL-6C-P-Y		<b>1,330.00</b>	
ZN415-3NL-8C		<b>1,525.00</b>	

# Z415 BODY ASSEMBLY WITH "TYPE E" STRAINER



## ENGINEERING SPECIFICATION

Zurn ZN415E floor and shower drain features Dura-Coated cast iron body with bottom outlet, combination invertible membrane clamp and adjustable collar with seepage slots, and "TYPE E" polished, nickel bronze strainer with 4" diameter funnel.



Strainer Designation	Dimensions in inches [mm]					Str. Open Area sq in [cm <sup>2</sup> ]	Approximate Weight lb [kg]
	A Pipe Size	K		K'			
		Min.	Max.	Min.	Max.		
-7E	2 [51], 3 [76], 4 [102]	1 [25]	2-1/8 [54]	1-5/8 [41]	2-15/16 [75]	5 [32]	19 [9]

PREFIXES	DESCRIPTION	STRAINER DESIG.	PIPE SIZE	LIST PRICE
<b>ZN415*</b>	D.C.C.I. Body Assembly with Polished Nickel Bronze Top	-7E	2", 3", 4"	<b>1,951.00</b>
<b>ZB415</b>	D.C.C.I. Body Assembly with Polished Bronze Top	-7E	2", 3", 4"	<b>1,797.00</b>
<b>Z415</b>	D.C.C.I. Body Assembly ONLY (add "-L/Top" to product sku)	No Strainer	2", 3", 4"	<b>269.00</b>

OUTLETS (SPECIFY PIPE SIZE IN INCHES AND TYPE OF OUTLET)				
OUTLET TYPE		PIPE SIZE/ OUTLET TYPE	E BODY HT. DIM.	ADD
<b>IC</b>	Inside Caulk	2IC, 3IC, 4IC	4-13/16"	<b>N/C</b>
<b>IP</b>	Threaded	2IP	2-7/16"	<b>114.00</b>
		3IP	2-3/4"	<b>114.00</b>
		4IP	2-13/16"	<b>114.00</b>
<b>NH</b>	No-Hub	2NH, 3NH, 4NH	3-13/16"	<b>N/C</b>
<b>NL</b>	Neo-Loc	2NL, 3NL, 4NL	3-7/8"	<b>N/C</b>

SUFFIXES		ADD	
<b>-AR</b>	Acid Resisting Epoxy Coated Cast Iron	<b>236.00</b>	
<b>-G</b>	Galvanized Cast Iron	<b>273.00</b>	
<b>-P</b>	Trap Primer Connection (1/2")	<b>N/C</b>	
Ⓢ <b>-SA</b>	Stabilizer Assembly (See Z1035)	<b>193.00</b>	
<b>-SC</b>	Solid Cover	<b>207.00</b>	
Ⓢ <b>-SQ</b>	Stabilizer Q-Deck (See Z1035-Q)	<b>255.00</b>	
Ⓢ <b>-SR</b>	Stabilizer Ring (See Z400-SR)	<b>168.00</b>	
Ⓢ <b>-TC</b>	Neo-Loc Test Cap Gasket (2", 3", 4" NL Bottom Outlet Only)	<b>36.00</b>	
Ⓢ <b>-U</b>	1"-3" High Extension Adapter (See Z400-U)	D.C.	<b>195.00</b>
		Galv.	<b>422.00</b>
	For each additional 1" above 3"	<b>137.00</b>	
<b>-V</b>	Backwater Valve (Not Available with -Y)	<b>522.00</b>	
<b>-VP</b>	Vandal-Proof Secured Top	<b>83.00</b>	
<b>-Y</b>	Sediment Bucket (Not Available with -V)	<b>152.00</b>	
<b>-90</b>	90° Threaded Side Outlet Body Assembly (2" and 3" Only)	<b>302.00</b>	

BEST SELLERS	LIST PRICE
ZN415-2NH-7E	<b>1,951.00</b>
ZN415-2NH-7E-P	<b>1,951.00</b>
ZN415-2NH-7E-P-U-VP	<b>2,229.00</b>
ZN415-2NL-7E	<b>1,951.00</b>
ZN415-3NH-7E	<b>1,951.00</b>
ZN415-4NL-7E-P	<b>1,951.00</b>

\*Regularly furnished unless otherwise specified.

Items designated as Best Sellers are most specified and are generally in stock for shipment.

Ⓢ This symbol denotes a product that is engineered to reduce installation and rework time.

For additional product information, please visit [www.zurn.com](http://www.zurn.com)

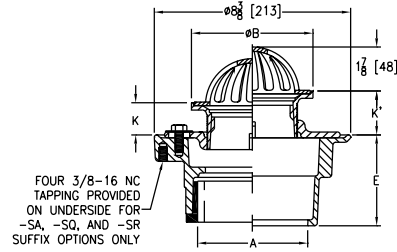
Patent [zurn.com/patents](http://zurn.com/patents)

# Z415 BODY ASSEMBLY WITH "TYPE G" STRAINER



## ENGINEERING SPECIFICATION

Zurn ZN415G floor and shower drain features Dura-Coated cast iron body with bottom outlet, combination invertible membrane clamp and adjustable collar with seepage slots, and "TYPE G" polished, nickel bronze strainer with dome grate.



Strainer Designation	Dimensions in inches [mm]						Str. Open Area sq in [cm <sup>2</sup> ]	Approximate Weight lb [kg]
	A Pipe Size	B Diameter	K		K'			
			Min.	Max.	Min.	Max.		
-5G	2 [51], 3 [76]	5 [127]	1 [25]	1-1/2 [38]	1-3/32 [27]	2-1/4 [57]	10 [65]	11 [5]
-6G	2 [51], 3 [76], 4 [102]	6 [152]		1-25/32 [45]	1-13/32 [36]	2-17/32 [64]	12 [77]	13 [6]

PREFIXES	DESCRIPTION	STRAINER DESIG.	PIPE SIZE	LIST PRICE
<b>ZN415*</b>	D.C.C.I. Body Assembly with Polished Nickel Bronze Top	-5G	2", 3"	<b>984.00</b>
		-6G	2", 3", 4"	<b>1,178.00</b>
<b>Z415</b>	D.C.C.I. Body Assembly ONLY (add "-L/Top" to product sku)	No Strainer	2", 3", 4"	<b>269.00</b>
OUTLETS (SPECIFY PIPE SIZE IN INCHES AND TYPE OF OUTLET)				
OUTLET TYPE	PIPE SIZE/ OUTLET TYPE	E BODY HT. DIM.	ADD	
<b>IC</b>	Inside Caulk	2IC, 3IC, 4IC	4-13/16"	<b>N/C</b>
<b>IP</b>	Threaded	2IP	2-7/16"	<b>114.00</b>
		3IP	2-3/4"	<b>114.00</b>
		4IP	2-13/16"	<b>114.00</b>
<b>NH</b>	No-Hub	2NH, 3NH, 4NH	3-13/16"	<b>N/C</b>
<b>NL</b>	Neo-Loc	2NL, 3NL, 4NL	3-7/8"	<b>N/C</b>

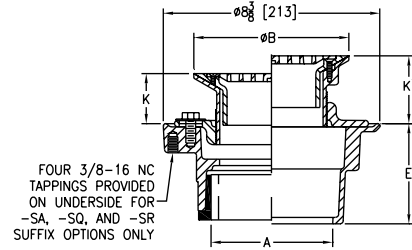
SUFFIXES	ADD
<b>-AR</b>	Acid Resisting Epoxy Coated Cast Iron <b>236.00</b>
<b>-G</b>	Galvanized Cast Iron <b>273.00</b>
<b>-P</b>	Trap Primer Connection (1/2"*) <b>N/C</b>
Ⓢ <b>-SA</b>	Stabilizer Assembly (See Z1035) <b>193.00</b>
Ⓢ <b>-SQ</b>	Stabilizer Q-Deck (See Z1035-Q) <b>255.00</b>
Ⓢ <b>-SR</b>	Stabilizer Ring (See Z400-SR) <b>168.00</b>
<b>-SS</b>	Stainless Steel Mesh Screen Over Dome <b>724.00</b>
Ⓢ <b>-TC</b>	Neo-Loc Test Cap Gasket (2", 3", 4" NL Bottom Outlet Only) <b>36.00</b>
<b>-U</b>	1"-3" High Extension Adapter (See Z400-U) D.C. <b>195.00</b>
	Galv. <b>422.00</b>
	For each additional 1" above 3" <b>137.00</b>
<b>-V</b>	Backwater Valve (Not Available with -Y) <b>522.00</b>
<b>-VP</b>	Vandal-Proof Secured Top <b>83.00</b>
<b>-Y</b>	Sediment Bucket (Not Available with -V) <b>152.00</b>
<b>-90</b>	90° Threaded Side Outlet Body Assembly (2" and 3" Only) <b>302.00</b>
BEST SELLER LIST PRICE	
ZN415-3IP-5G-90	<b>1,400.00</b>

# Z415 BODY ASSEMBLY WITH "TYPE H" STRAINER



## ENGINEERING SPECIFICATION

Zurn ZN415H floor and shower drain features Dura-Coated cast iron body with bottom outlet, combination invertible membrane clamp and adjustable collar with seepage slots, and "TYPE H" polished, nickel bronze light-duty strainer with flashing clamp device for clamping at the finished floor level.



Strainer Designation	Dimensions in inches [mm]						Str. Open Area sq in [cm <sup>2</sup> ]	Approximate Weight lb [kg]
	A Pipe Size	B Diameter	K		K'			
			Min.	Max.	Min.	Max.		
-6H	2 [51], 3 [76], 4 [102]	6 [152]	1-1/4 [32]	2-3/8 [60]	2-3/16 [56]	3-5/16 [84]	7 [45]	13 [6]
-9H		9 [229]	1-11/16 [43]	2-5/8 [67]	2-7/16 [62]	3-9/16 [90]	18 [116]	20 [9]

PREFIXES	DESCRIPTION	STRAINER DESIG.	PIPE SIZE	LIST PRICE
<b>ZN415*</b>	D.C.C.I. Body Assembly with Polished Nickel Bronze Top	-6H	2", 3", 4"	<b>2,288.00</b>
		-9H	2", 3", 4"	<b>2,924.00</b>
<b>ZB415</b>	D.C.C.I. Body Assembly with Polished Bronze Top	-6H	2", 3", 4"	<b>2,061.00</b>
		-9H	2", 3", 4"	<b>2,619.00</b>
<b>Z415</b>	D.C.C.I. Body Assembly ONLY (add "-L/Top" to product sku)	No Strainer	2", 3", 4"	<b>269.00</b>

OUTLETS (SPECIFY PIPE SIZE IN INCHES AND TYPE OF OUTLET)				
OUTLET TYPE		PIPE SIZE/OUTLET TYPE	E BODY HT. DIM.	ADD
<b>IP</b>	Threaded	2IP	2-7/16"	<b>114.00</b>
		3IP	2-3/4"	<b>114.00</b>
		4IP	2-13/16"	<b>114.00</b>
<b>NH</b>	No-Hub	2NH, 3NH, 4NH	3-13/16"	<b>N/C</b>
<b>NL</b>	Neo-Loc	2NL, 3NL, 4NL	3-7/8"	<b>N/C</b>

SUFFIXES		ADD	
<b>-AR</b>	Acid Resisting Epoxy Coated Cast Iron	<b>236.00</b>	
<b>-G</b>	Galvanized Cast Iron	<b>273.00</b>	
<b>-P</b>	Trap Primer Connection (1/2")	<b>N/C</b>	
Ⓢ <b>-SA</b>	Stabilizer Assembly (See Z1035)	<b>193.00</b>	
Ⓢ <b>-SQ</b>	Stabilizer Q-Deck (See Z1035-Q)	<b>255.00</b>	
Ⓢ <b>-SR</b>	Stabilizer Ring (See Z400-SR)	<b>168.00</b>	
Ⓢ <b>-TC</b>	Neo-Loc Test Cap Gasket (2", 3", 4" NL Bottom Outlet Only)	<b>36.00</b>	
<b>-U</b>	1"-3" High Extension Adapter (See Z400-U)	D.C.	<b>195.00</b>
		Galv.	<b>422.00</b>
	For each additional 1" above 3"	<b>137.00</b>	
<b>-V</b>	Backwater Valve (Not Available with -Y)	<b>522.00</b>	
<b>-VP</b>	Vandal-Proof Secured Top	<b>83.00</b>	
<b>-Y</b>	Sediment Bucket (Not Available with -V)	<b>152.00</b>	

BEST SELLERS	LIST PRICE
ZN415-2NH-6H	<b>2,288.00</b>
ZN415-2NH-6H-P	<b>2,288.00</b>
ZN415-2NL-6H	<b>2,288.00</b>
ZN415-4NH-6H	<b>2,288.00</b>
ZN415-4NH-6H-SA	<b>2,481.00</b>

\*Regularly furnished unless otherwise specified.

Items designated as Best Sellers are most specified and are generally in stock for shipment.

Ⓢ This symbol denotes a product that is engineered to reduce installation and rework time.

For additional product information, please visit [www.zurn.com](http://www.zurn.com)

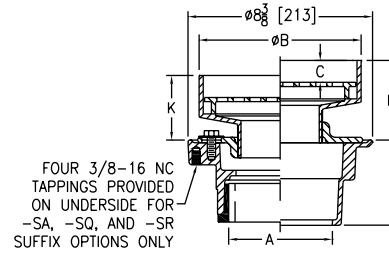
Patent [zurn.com/patents](http://zurn.com/patents)

# Z415 BODY ASSEMBLY WITH "TYPE I" STRAINER



## ENGINEERING SPECIFICATION

Zurn ZN415I floor and shower drain features Dura-Coated cast iron body with bottom outlet, combination invertible membrane clamp and adjustable collar with seepage slots, and "TYPE I" polished, nickel bronze strainer with raised flange.



Strainer Designation	Dimensions in inches [mm]							Str. Open Area sq in [cm <sup>2</sup> ]	Approximate Weight lb [kg]
	A Pipe Size	B Diameter	C	K		K'			
				Min.	Max.	Min.	Max.		
-5I	2 [51], 3 [76]	5-7/16 [138]	7/8 [22]	1-9/16 [40]	2-5/8 [67]	2-1/8 [54]	3-3/8 [86]	8 [52]	14 [6]
-7I	2 [51], 3 [76], 4 [102]	7-3/8 [187]	1 [25]	2-9/16 [65]	3-3/8 [86]	2-7/8 [73]	4-1/8 [104]	13 [84]	19 [9]
-9I	3 [76], 4 [102]	9 [229]	1/2 [13]	2-3/16 [56]	3-1/8 [79]	2-5/8 [67]	3-7/8 [98]	23 [148]	23 [10]
	6 [152]								

PREFIXES	DESCRIPTION	STRAINER DESIG.	PIPE SIZE	LIST PRICE
<b>ZN415*</b>	D.C.C.I. Body Assembly with Polished Nickel Bronze Top	-5I	2", 3"	<b>1,498.00</b>
		-7I	2", 3", 4"	<b>1,615.00</b>
		-9I	3", 4"	<b>2,262.00</b>
			6"	<b>3,047.00</b>
<b>ZB415</b>	D.C.C.I. Body Assembly with Polished Bronze Top	-5I	2", 3"	<b>1,407.00</b>
		-7I	2", 3", 4"	<b>1,481.00</b>
		-9I	3", 4"	<b>2,068.00</b>
			6"	<b>2,856.00</b>
<b>Z415</b>	D.C.C.I. Body Assembly ONLY (add "-L/Top" to product sku)	No Strainer	2", 3"	<b>269.00</b>
			2", 3", 4"	<b>269.00</b>
			3", 4"	<b>269.00</b>
			6"	<b>1,012.00</b>

OUTLETS (SPECIFY PIPE SIZE IN INCHES AND TYPE OF OUTLET)			
OUTLET TYPE	PIPE SIZE/ OUTLET TYPE	E BODY HT. DIM.	ADD
<b>IC</b>	Inside Caulk	2IC, 3IC, 4IC	4-13/16" <b>N/C</b>
<b>IP</b>	Threaded	2IP	2-7/16" <b>114.00</b>
		3IP	2-3/4" <b>114.00</b>
		4IP	2-13/16" <b>114.00</b>
		6IP	2-7/8" <b>114.00</b>
<b>NH</b>	No-Hub	2NH, 3NH, 4NH	3-13/16" <b>N/C</b>
<b>NL</b>	Neo-Loc	2NL, 3NL, 4NL	3-7/8" <b>N/C</b>

SUFFIXES	ADD
<b>-AR</b>	Acid Resisting Epoxy Coated Cast Iron <b>236.00</b>
<b>-G</b>	Galvanized Cast Iron <b>273.00</b>
<b>-P</b>	Trap Primer Connection (1/2") <b>N/C</b>
Ⓢ <b>-SA</b>	Stabilizer Assembly (See Z1035) <b>193.00</b>
Ⓢ <b>-SQ</b>	Stabilizer Q-deck (See Z1035-Q) <b>255.00</b>
Ⓢ <b>-SR</b>	Stabilizer Ring (See Z400-SR) <b>168.00</b>
Ⓢ <b>-TC</b>	Neo-Loc Test Cap Gasket (2", 3", 4" NL Bottom Outlet Only) <b>36.00</b>
<b>-TS</b>	Top Secured with Slotted Screws <b>83.00</b>
<b>-TSP</b>	Trap Seal Protection Device (Size Matches Drain Outlet Selected, See Z1072) <b>POA</b>
<b>-U</b>	1"-3" High Extension Adapter (See Z400-U) D.C. <b>195.00</b>
	Galv. <b>422.00</b>
	For each additional 1" above 3" <b>137.00</b>
<b>-V</b>	Backwater Valve (Not Available with -Y) <b>522.00</b>
<b>-VP</b>	Vandal-Proof Secured Top <b>163.00</b>
<b>-Y</b>	Sediment Bucket (Not Available with -V) <b>152.00</b>
<b>-90</b>	90° Threaded Side Outlet Body Assembly (2" and 3" Only) <b>302.00</b>

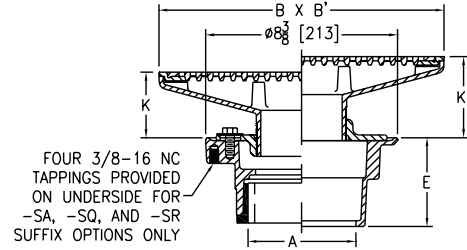
BEST SELLERS	LIST PRICE
ZN415-2NH-5I	<b>1,498.00</b>
ZN415-2NH-7I	<b>1,615.00</b>
ZN415-2NL-7I	<b>1,615.00</b>
ZN415-3NH-7I	<b>1,615.00</b>
ZN415-3NL-7I-P	<b>1,615.00</b>

# Z415 BODY ASSEMBLY WITH "TYPE J" HEEL-PROOF STRAINER



## ENGINEERING SPECIFICATION

Zurn ZN415J floor and shower drain features Dura-Coated cast iron body with bottom outlet, combination invertible membrane clamp and adjustable collar with seepage slots, and "TYPE J" polished, nickel bronze rectangular light-duty, heel-proof strainer.



Strainer Designation	Dimensions in inches [mm]						Str. Open Area sq in [cm <sup>2</sup> ]	Approximate Weight lb [kg]
	A Pipe Size	B Diameter	K		K'			
			Min.	Max.	Min.	Max.		
-8J	2 [51], 3 [76], 4 [102]	4-1/2 [114] x 8 [203]	1-3/8 [35]	2-5/8 [67]	2-1/8 [54]	3-3/8 [86]	12 [77]	13 [6]
-9J		5 [127] x 9 [229]	1-5/8 [41]	2-13/16 [71]	2-3/8 [60]	3-5/8 [92]	15 [97]	14 [6]
-13J	3 [76], 4 [102]	5-1/2 [140] x 13 [330]	2-3/32 [53]	3-5/16 [84]	2-13/16 [71]	4 [102]	20 [129]	18 [8]
-17J		5 [127] x 17 [432]	2-1/4 [57]				29 [187]	23 [10]
-21J		5 [127] x 21 [533]	2-5/16 [59]				32 [206]	27 [12]
-20J		10 [254] x 20 [508]	2-9/16 [65]				3-1/4 [83]	2-7/8 [73]

PREFIXES	DESCRIPTION	STRAINER DESIG.	PIPE SIZE	LIST PRICE
<b>ZN415*</b>	D.C.C.I. Body Assembly with Polished Nickel Bronze Top	-8J	2", 3", 4"	<b>1,525.00</b>
		-9J	2", 3", 4"	<b>1,525.00</b>
		-13J	3", 4"	<b>2,068.00</b>
		-17J	3", 4"	<b>2,203.00</b>
		-21J	3", 4"	<b>3,173.00</b>
		-20J	6"	<b>6,905.00</b>
<b>ZB415</b>	D.C.C.I. Body Assembly with Polished Bronze Top	-8J	2", 3", 4"	<b>1,425.00</b>
		-9J	2", 3", 4"	<b>1,425.00</b>
		-13J	3", 4"	<b>1,877.00</b>
		-17J	3", 4"	<b>2,013.00</b>
		-21J	3", 4"	<b>2,796.00</b>
		-20J	6"	<b>5,775.00</b>
<b>Z415</b>	D.C.C.I. Body Assembly ONLY (add "-L/Top" to product sku)	No Strainer	2", 3", 4"	<b>269.00</b>
			6"	<b>1,012.00</b>

OUTLETS (SPECIFY PIPE SIZE IN INCHES AND TYPE OF OUTLET)			
OUTLET TYPE	PIPE SIZE/ OUTLET TYPE	E BODY HT. DIM.	ADD
<b>IC</b>	Inside Caulk	2IC, 3IC, 4IC	4-13/16" <b>N/C</b>
<b>IP</b>	Threaded	2IP	2-7/16" <b>114.00</b>
		3IP	2-3/4" <b>114.00</b>
		4IP	2-13/16" <b>114.00</b>
		6IP	2-7/8" <b>114.00</b>
<b>NH</b>	No-Hub	2NH, 3NH, 4NH	3-13/16" <b>N/C</b>
<b>NL</b>	Neo-Loc	2NL, 3NL, 4NL	3-7/8" <b>N/C</b>

SUFFIXES	ADD
<b>-AR</b>	Acid Resisting Epoxy Coated Cast Iron <b>895.00</b>
<b>-G</b>	Galvanized Cast Iron <b>273.00</b>
<b>-P</b>	Trap Primer Connection (1/2") <b>N/C</b>
⌚ <b>-SA</b>	Stabilizer Assembly (See Z1035) <b>193.00</b>
⌚ <b>-SQ</b>	Stabilizer Q-deck (See Z1035-Q) <b>255.00</b>
⌚ <b>-SR</b>	Stabilizer Ring (See Z400-SR) <b>168.00</b>
⌚ <b>-TC</b>	Neo-Loc Test Cap Gasket (2", 3", 4" NL Bottom Outlet Only) <b>36.00</b>
<b>-U</b>	1"-3" High Extension Adapter (See Z400-U) <b>D.C. 195.00</b>
	For each additional 1" above 3" <b>137.00</b>
<b>-V</b>	Backwater Valve (Not Available with -Y) <b>522.00</b>
<b>-VP</b>	Vandal-Proof Secured Top <b>83.00</b>
<b>-Y</b>	Sediment Bucket (Not Available with -V) <b>152.00</b>
<b>-90</b>	90° Threaded Side Outlet Body Assembly (2" and 3" Only) <b>302.00</b>

BEST SELLERS	LIST PRICE
ZN415-2NH-8J	<b>1,525.00</b>
ZN415-3NL-9J-P	<b>1,525.00</b>

\*Regularly furnished unless otherwise specified.

Items designated as Best Sellers are most specified and are generally in stock for shipment.

⌚ This symbol denotes a product that is engineered to reduce installation and rework time.

For additional product information, please visit [www.zurn.com](http://www.zurn.com)

Patent [zurn.com/patents](http://zurn.com/patents)

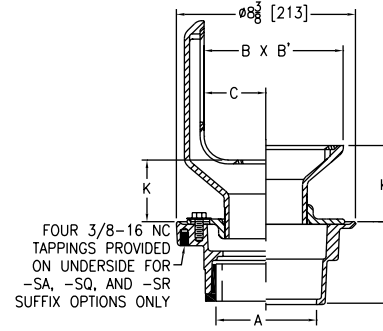


# Z415 BODY ASSEMBLY WITH "TYPE K" STRAINER



## ENGINEERING SPECIFICATION

Zurn ZN415K floor and shower drain features Dura-Coated cast iron body with bottom outlet, combination invertible membrane clamp and adjustable collar with seepage slots, and "TYPE K" polished, nickel bronze, angular, light-duty strainer.



Strainer Designation	Dimensions in inches [mm]							Str. Open Area sq in [cm <sup>2</sup> ]	Approximate Weight lb [kg]
	A Pipe Size	B x B'	C	K		K'			
				Min.	Max.	Min.	Max.		
-5K	2 [51], 3 [76], 4 [102]	3-3/4 [95] x 5 [127]	1-7/32 [31]	1 [25]	2 [51]	1-3/4 [44]	2-3/4 [70]	11 [71]	18 [8]
-7K		6-5/8 [143] x 7 [178]	2-15/16 [75]	2-3/16 [56]	3-3/8 [86]	2-7/8 [73]	4-1/8 [105]	29 [187]	25 [11]

PREFIXES	DESCRIPTION	STRAINER DESIG.	PIPE SIZE	LIST PRICE
<b>ZN415*</b>	D.C.C.I. Body Assembly with Polished Nickel Bronze Top	-5K	2", 3", 4"	<b>2,823.00</b>
		-7K	2", 3", 4"	<b>3,528.00</b>
<b>ZB415</b>	D.C.C.I. Body Assembly with Polished Bronze Top	-5K	2", 3", 4"	<b>2,608.00</b>
		-7K	2", 3", 4"	<b>3,255.00</b>
<b>Z415</b>	D.C.C.I. Body Assembly ONLY (add "-L/Top" to product sku)	No Strainer	2", 3", 4"	<b>269.00</b>

OUTLETS (SPECIFY PIPE SIZE IN INCHES AND TYPE OF OUTLET)				
OUTLET TYPE		PIPE SIZE/ OUTLET TYPE	E BODY HT. DIM.	ADD
<b>IP</b>	Threaded	2IP	2-7/16"	<b>114.00</b>
		3IP	2-3/4"	<b>114.00</b>
		4IP	2-13/16"	<b>114.00</b>
<b>NH</b>	No-Hub	2NH, 3NH, 4NH	3-13/16"	<b>N/C</b>
<b>NL</b>	Neo-Loc	2NL, 3NL, 4NL	3-7/8"	<b>N/C</b>

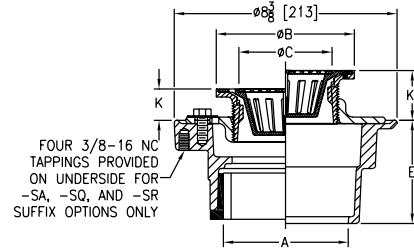
SUFFIXES		ADD
<b>-AR</b>	Acid Resisting Epoxy Coated Cast Iron	<b>236.00</b>
<b>-G</b>	Galvanized Cast Iron	<b>273.00</b>
<b>-P</b>	Trap Primer Connection (1/2"*)	<b>N/C</b>
Ⓞ <b>-SA</b>	Stabilizer Assembly (See Z1035)	<b>193.00</b>
Ⓞ <b>-SQ</b>	Stabilizer Q-Deck (See Z1035-Q)	<b>255.00</b>
Ⓞ <b>-SR</b>	Stabilizer Ring (See Z400-SR)	<b>168.00</b>
Ⓞ <b>-TC</b>	Neo-Loc Test Cap Gasket (2", 3", 4" NL Bottom Outlet Only)	<b>36.00</b>
<b>-U</b>	1"-3" High Extension Adapter (See Z400-U)	D.C. <b>195.00</b>
		Galv. <b>422.00</b>
	For each additional 1" above 3"	<b>137.00</b>
<b>-V</b>	Backwater Valve (Not Available with -Y)	<b>522.00</b>
<b>-VP</b>	Vandal-Proof Secured Top	<b>83.00</b>
<b>-Y</b>	Sediment Bucket (Not Available with -V)	<b>152.00</b>
<b>-90</b>	90° Threaded Side Outlet Body Assembly (2" and 3" Only)	<b>302.00</b>
<b>BEST SELLER</b>		<b>LIST PRICE</b>
ZN415-3NL-5K-P-VP		<b>2,906.00</b>

# Z415 BODY ASSEMBLY WITH "TYPE M" STRAINER AND SUR-SET BUCKET



## ENGINEERING SPECIFICATION

Zurn ZN415M floor and shower drain features Dura-Coated cast iron body with bottom outlet, combination invertible membrane clamp and adjustable collar with seepage slots, and "TYPE M" polished nickel bronze strainer and Sur-Set bucket.



Strainer Designation	Dimensions in inches [mm]							Str. Open Area sq in [cm <sup>2</sup> ]	Approximate Weight lb [kg]
	A Pipe Size	B Diameter	C	K		K'			
				Min.	Max.	Min.	Max.		
-5M	2 [51], 3 [76], 4 [102]	5 [127]	3-1/2 [89]	7/8 [22]	1-5/8 [41]	1-3/16 [30]	2-3/8 [60]	4-1/2 [29]	11 [5]

PREFIXES	DESCRIPTION	STRAINER DESIG.	PIPE SIZE	LIST PRICE
<b>ZN415*</b>	D.C.C.I. Body Assembly with Polished Nickel Bronze Top	-5M	2", 3", 4"	<b>1,400.00</b>
<b>ZB415</b>	D.C.C.I. Body Assembly with Polished Bronze Top	-5M	2", 3", 4"	<b>1,328.00</b>
<b>Z415</b>	D.C.C.I. Body Assembly ONLY (add "-L/Top" to product sku)	No Strainer	2", 3", 4"	<b>269.00</b>

OUTLETS (SPECIFY PIPE SIZE IN INCHES AND TYPE OF OUTLET)				
OUTLET TYPE		PIPE SIZE/ OUTLET TYPE	E BODY HT. DIM.	ADD
<b>IP</b>	Threaded	2IP	2-7/16"	<b>114.00</b>
		3IP	2-3/4"	<b>114.00</b>
		4IP	2-13/16"	<b>114.00</b>
<b>NH</b>	No-Hub	2NH, 3NH, 4NH	3-13/16"	<b>N/C</b>
<b>NL</b>	Neo-Loc	2NL, 3NL, 4NL	3-7/8"	<b>N/C</b>

SUFFIXES		ADD	
<b>-G</b>	Galvanized Cast Iron	<b>273.00</b>	
<b>-P</b>	Trap Primer Connection (1/2"*)	<b>N/C</b>	
⌚ <b>-PC</b>	Protective Cover	<b>91.00</b>	
⌚ <b>-SA</b>	Stabilizer Assembly (See Z1035)	<b>193.00</b>	
⌚ <b>-SQ</b>	Stabilizer Q-Deck (See Z1035-Q)	<b>255.00</b>	
⌚ <b>-SR</b>	Stabilizer Ring (See Z400-SR)	<b>168.00</b>	
⌚ <b>-TC</b>	Neo-Loc Test Cap Gasket (2", 3", 4" NL Bottom Outlet Only)	<b>36.00</b>	
<b>-U</b>	1"-3" High Extension Adapter (See Z400-U)	D.C.	<b>195.00</b>
		Galv.	<b>422.00</b>
	For each additional 1" above 3"	<b>137.00</b>	
<b>-VP</b>	Vandal-Proof Secured Top	<b>163.00</b>	

\*Regularly furnished unless otherwise specified.

Items designated as Best Sellers are most specified and are generally in stock for shipment.

⌚ This symbol denotes a product that is engineered to reduce installation and rework time.

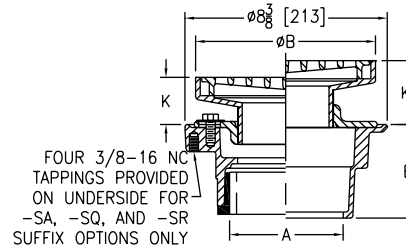
For additional product information, please visit [www.zurn.com](http://www.zurn.com)  
Patent [zurn.com/patents](http://zurn.com/patents)

# Z415 BODY ASSEMBLY WITH "TYPE N" STRAINER



## ENGINEERING SPECIFICATION

Zurn Z415N floor and shower drain features Dura-Coated cast iron body with bottom outlet, combination invertible membrane clamp and adjustable collar with seepage slots, and "TYPE N" D.C.C.I. light-duty strainer with deep flanged grate.



Strainer Designation	Dimensions in inches [mm]						Str. Open Area sq in [cm <sup>2</sup> ]	Approximate Weight lb [kg]
	A Pipe Size	B Diameter	K		K'			
			Min.	Max.	Min.	Max.		
-7N	2 [51], 3 [76], 4 [102]	7 [178]	1-9/16 [40]	2-3/8 [60]	1-7/8 [48]	3-1/8 [79]	12 [77]	17 [8]
-9N	6 [152]	9 [229]	1-11/16 [43]	2-5/8 [67]	2-3/16 [56]	3-3/8 [86]	23 [148]	21 [10] 23 [10]

PREFIXES	DESCRIPTION	STRAINER DESIG.	PIPE SIZE	LIST PRICE
<b>Z415*</b>	D.C.C.I. Body Assembly with Dura-Coated Top	-7N	2", 3", 4"	<b>781.00</b>
		-9N	2", 3", 4"	<b>962.00</b>
			6"	<b>1,748.00</b>
<b>ZB415</b>	D.C.C.I. Body Assembly with Polished Bronze Top	-7N	2", 3", 4"	<b>1,481.00</b>
		-9N	2", 3", 4"	<b>2,068.00</b>
			6"	<b>2,856.00</b>
<b>ZN415</b>	D.C.C.I. Body Assembly with Polished Nickel Bronze Top	-7N	2", 3", 4"	<b>1,615.00</b>
		-9N	2", 3", 4"	<b>2,238.00</b>
			6"	<b>3,026.00</b>
<b>Z415</b>	D.C.C.I. Body Assembly ONLY (add "-L/Top" to product sku)	No Strainer	2", 3", 4"	<b>269.00</b>
			2", 3", 4"	<b>269.00</b>
			6"	<b>1,012.00</b>
OUTLETS (SPECIFY PIPE SIZE IN INCHES AND TYPE OF OUTLET)				
OUTLET TYPE		PIPE SIZE/ OUTLET TYPE	E BODY HT. DIM.	ADD
<b>IP</b>	Threaded	2IP	2-7/16"	<b>114.00</b>
		3IP	2-3/4"	<b>114.00</b>
		4IP	2-13/16"	<b>114.00</b>
		6IP	2-7/8"	<b>114.00</b>
<b>NH</b>	No-Hub	2NH, 3NH, 4NH	3-13/16"	<b>N/C</b>
<b>NL</b>	Neo-Loc	2NL, 3NL, 4NL	3-7/8"	<b>N/C</b>

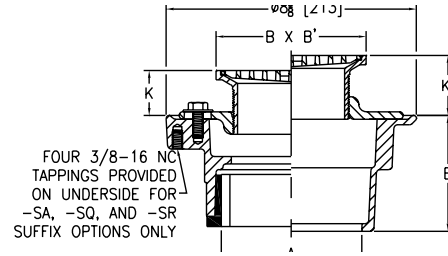
SUFFIXES	ADD
<b>-AR</b>	Acid Resisting Epoxy Coated Cast Iron <b>236.00</b>
<b>-DG</b>	Duresist Grate <b>7"</b> <b>180.00</b>
	<b>9"</b> <b>228.00</b>
<b>-G</b>	Galvanized Cast Iron <b>273.00</b>
<b>-P</b>	Trap Primer Connection (1/2") <b>N/C</b>
Ⓢ <b>-SA</b>	Stabilizer Assembly (See Z1035) <b>193.00</b>
Ⓢ <b>-SQ</b>	Stabilizer Q-Deck (See Z1035-Q) <b>255.00</b>
Ⓢ <b>-SR</b>	Stabilizer Ring (See Z400-SR) <b>168.00</b>
Ⓢ <b>-TC</b>	Neo-Loc Test Cap Gasket (2", 3", 4" NL Bottom Outlet Only) <b>36.00</b>
<b>-TS</b>	Top Secured with Slotted Screws <b>83.00</b>
<b>-U</b>	1"-3" High Extension Adapter (See Z400-U) <b>D.C.</b> <b>195.00</b>
	<b>Galv.</b> <b>422.00</b>
	For each additional 1" above 3" <b>137.00</b>
<b>-V</b>	Backwater Valve (Not Available with -Y) <b>522.00</b>
<b>-VP</b>	Vandal-Proof Secured Top <b>163.00</b>
<b>-Y</b>	Sediment Bucket (Not Available with -V) <b>152.00</b>
<b>-90</b>	90° Threaded Side Outlet Body Assembly (2" and 3" Only) <b>302.00</b>
BEST SELLERS LIST PRICE	
Z415-3NH-7N-P	<b>781.00</b>
Z415-4NH-7N	<b>781.00</b>
ZN415-2NH-7N-P	<b>1,615.00</b>
ZN415-3NL-7N-P	<b>1,615.00</b>
ZN415-3NL-9N-P	<b>2,238.00</b>

# Z415 BODY ASSEMBLY WITH "TYPE S" STRAINER



## ENGINEERING SPECIFICATION

Zurn ZN415S floor and shower drain features Dura-Coated cast iron body with bottom outlet, combination invertible membrane clamp and adjustable collar with seepage slots, and "TYPE S" polished, nickel bronze, square heel-proof, light-duty strainer.



Strainer Designation	Dimensions in inches [mm]						Str. Open Area sq in [cm <sup>2</sup> ]	Approximate Weight lb [kg]
	A Pipe Size	B x B' Strainer Top Size	K		K'			
			Min.	Max.	Min.	Max.		
-5S	2 [51], 3 [76]	5 x 5 [127]	1 [25]	1-19/32 [40]	1-1/4 [32]	2-3/8 [60]	19 [122]	12 [5]
-6S	2 [51], 3 [76], 4 [102]	6 x 6 [152]		1-27/32 [47]	1-13/32 [36]	2-19/32 [66]	13 [84]	13 [6]
-7S		7 x 7 [178]	1-7/8 [48]	1-3/8 [35]	2-5/8 [67]	21 [135]	14 [6]	
-8S	3 [76], 4 [102]	8 x 8 [203]		1-3/4 [44]		28 [181]	15 [7]	
-10S	6 [152]	10 x 10 [254]			21 [10]			

PREFIXES	DESCRIPTION	STRAINER DESIG.	PIPE SIZE	LIST PRICE
<b>ZN415*</b>	D.C.C.I. Body Assembly with Polished Nickel Bronze Top	-5S	2", 3"	<b>885.00</b>
		-6S	2", 3", 4"	<b>984.00</b>
		-7S	2", 3", 4"	<b>1,181.00</b>
		-8S	3", 4"	<b>1,426.00</b>
		-10S	6"	<b>3,005.00</b>
<b>ZB415</b>	D.C.C.I. Body Assembly with Polished Bronze Top	-5S	2", 3"	<b>810.00</b>
		-6S	2", 3", 4"	<b>933.00</b>
		-7S	2", 3", 4"	<b>1,105.00</b>
		-8S	3", 4"	<b>1,294.00</b>
		-10S	6"	<b>2,854.00</b>
<b>Z415</b>	D.C.C.I. Body Assembly ONLY (add "-L/Top" to product sku)	No Strainer	2", 3", 4"	<b>269.00</b>
			6"	<b>1,012.00</b>

OUTLETS (SPECIFY PIPE SIZE IN INCHES AND TYPE OF OUTLET)				
OUTLET TYPE		PIPE SIZE/ OUTLET TYPE	E BODY HT. DIM.	ADD
<b>IC</b>	Inside Caulk	2IC, 3IC, 4IC	4-13/16"	<b>N/C</b>
<b>IG</b>	Inside Gasket	2IG, 3IG, 4IG	4-13/16"	<b>N/C</b>
<b>IP</b>	Threaded	2IP	2-7/16"	<b>114.00</b>
		3IP	2-3/4"	<b>114.00</b>
		4IP	2-13/16"	<b>114.00</b>
		6IP	2-7/8"	<b>114.00</b>
<b>NH</b>	No-Hub	2NH, 3NH, 4NH	3-13/16"	<b>N/C</b>
<b>NL</b>	Neo-Loc	2NL, 3NL, 4NL	3-7/8"	<b>N/C</b>

SUFFIXES		ADD
<b>-AR</b>	Acid Resisting Epoxy Coated Cast Iron	<b>236.00</b>
<b>-CP</b>	Chrome-Plated Bronze Top	<b>700.00</b>
<b>-G</b>	Galvanized Cast Iron	<b>273.00</b>
<b>-HD</b>	Heavy-Duty Grate (ZN 6" x 6" only)	<b>285.00</b>
<b>-OF</b>	Oval Funnel - 7" thru 10" Strainers Only (See ZN329-7) Available w/ZN Only	<b>613.00</b>
<b>-P</b>	Trap Primer Connection (1/2")	<b>N/C</b>
⌚ <b>-PC</b>	Protective Cover	<b>91.00</b>
⌚ <b>-SA</b>	Stabilizer Assembly (See Z1035)	<b>193.00</b>
⌚ <b>-SQ</b>	Stabilizer Q-Deck (See Z1035-Q)	<b>255.00</b>
⌚ <b>-TC</b>	Neo-Loc Test Cap Gasket (2", 3", 4" NL Bottom Outlet Only)	<b>36.00</b>
<b>-U</b>	1"-3" High Extension Adapter (See Z400-U)	D.C. <b>195.00</b>
		Galv. <b>422.00</b>
	For each additional 1" above 3"	<b>137.00</b>
<b>-V</b>	Backwater Valve (Not Available with -Y)	<b>522.00</b>
<b>-VP</b>	Vandal-Proof Secured Top	<b>83.00</b>
<b>-Y</b>	Sediment Bucket (Not Available with -V)	<b>152.00</b>
<b>-4</b>	4" Diameter Funnel (See ZN328-4) Available w/ZN Only	<b>613.00</b>
<b>-90</b>	90° Threaded Side Outlet Body Assembly (2" and 3" Only)	<b>302.00</b>

BEST SELLERS	LIST PRICE
ZB415-2NH-5S-CP	<b>1,510.00</b>
ZN415-2NH-5S-P	<b>885.00</b>
ZB415-2NL-5S	<b>810.00</b>
ZB415-3NH-6S	<b>933.00</b>
ZB415-3NH-6S-P	<b>933.00</b>
ZB415-3NL-5S	<b>810.00</b>
ZN415-3NL-5S-P	<b>885.00</b>
ZB415-3NL-6S-P	<b>933.00</b>
ZN415-2NL-7S	<b>1,181.00</b>
ZB415-3NL-8S	<b>1,294.00</b>
ZN415-3NH-8S	<b>1,426.00</b>

\*Regularly furnished unless otherwise specified.

Items designated as Best Sellers are most specified and are generally in stock for shipment.

⌚ This symbol denotes a product that is engineered to reduce installation and rework time.

For additional product information, please visit [www.zurn.com](http://www.zurn.com)

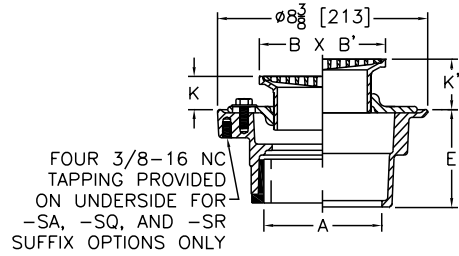
Patent [zurn.com/patents](http://zurn.com/patents)

# ZS415 BODY ASSEMBLY WITH "TYPE SS" STRAINER



## ENGINEERING SPECIFICATION

Zurn ZS415SS floor and shower drain features Dura-Coated cast iron body with bottom outlet, combination invertible membrane clamp and adjustable collar with seepage slots, and "TYPE SS" heel-proof, stainless steel, medium-duty square strainer.



Strainer Designation	Dimensions in inches [mm]						Str. Open Area sq in [cm <sup>2</sup> ]	Approximate Weight lb [kg]
	A Pipe Size	B x B' Strainer Top Size	K		K'			
			Min.	Max.	Min.	Max.		
-5SS	2 [51], 3 [76]	5 x 5 [127]	1 [25]	1-19/32 [40]	1-1/4 [32]	2-3/8 [60]	8-1/2 [55]	11 [5]
-6SS	2 [51], 3 [76], 4 [102]	6 x 6 [152]		1-27/32 [47]	1-13/32 [36]	2-19/32 [66]	13 [84]	12 [5]
-8SS	3 [76], 4 [102]	8 x 8 [203]	1-3/32 [27]	1-7/8 [48]	1-3/4 [44]	2-5/8 [67]	24-1/2 [158]	15 [7]

PREFIXES	DESCRIPTION	STRAINER DESIG.	PIPE SIZE	LIST PRICE
<b>ZS415*</b>	D.C.C.I. Body Assembly with Square Type 304 (CF8) Stainless Steel Top	-5SS	2", 3"	<b>1,493.00</b>
		-6SS	2", 3", 4"	<b>1,827.00</b>
		-8SS	3", 4"	<b>2,477.00</b>
<b>ZM415</b>	D.C.C.I. Body Assembly with Square Type 316 (CF8M) Stainless Steel Top	-5SS	2", 3"	<b>POA</b>
		-6SS	2", 3", 4"	<b>POA</b>
		-8SS	3", 4"	<b>POA</b>
<b>Z415</b>	D.C.C.I. Body Assembly ONLY (add "-L/Top" to product sku)	No Strainer	2", 3", 4"	<b>269.00</b>

OUTLETS (SPECIFY PIPE SIZE IN INCHES AND TYPE OF OUTLET)				
OUTLET TYPE		PIPE SIZE/ OUTLET TYPE	E BODY HT. DIM.	ADD
<b>IC</b>	Inside Caulk	2IC, 3IC, 4IC	4-13/16"	<b>N/C</b>
<b>IP</b>	Threaded	2IP	2-7/16"	<b>114.00</b>
		3IP	2-3/4"	<b>114.00</b>
		4IP	2-13/16"	<b>114.00</b>
<b>NH</b>	No-Hub	2NH, 3NH, 4NH	3-13/16"	<b>N/C</b>
<b>NL</b>	Neo-Loc	2NL, 3NL, 4NL	3-7/8"	<b>N/C</b>

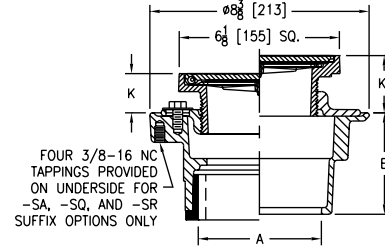
SUFFIXES		ADD	
<b>-AR</b>	Acid Resisting Epoxy Coated Cast Iron	<b>236.00</b>	
<b>-G</b>	Galvanized Cast Iron	<b>273.00</b>	
<b>-P</b>	Trap Primer Connection (1/2"*)	<b>N/C</b>	
<b>-TC</b>	Neo-Loc Test Cap Gasket (2", 3", 4" NL Bottom Outlet Only)	<b>36.00</b>	
<b>-U</b>	1"-3" High Extension Adapter (See Z400-U)	D.C.	<b>195.00</b>
		Galv.	<b>422.00</b>
	For each additional 1" above 3"	<b>137.00</b>	
<b>-V</b>	Backwater Valve (Not Available with -Y)	<b>522.00</b>	
<b>-VP</b>	Vandal-Proof Secured Top	<b>83.00</b>	
<b>-Y</b>	Sediment Bucket (Not Available with -V)	<b>152.00</b>	

## Z415 BODY ASSEMBLY WITH "TYPE SC" STRAINER



### ENGINEERING SPECIFICATION

Zurn ZN415SC floor and shower drain features Dura-Coated cast iron body with bottom outlet, combination invertible membrane clamp, adjustable collar with seepage slots, and "TYPE SC" polished, nickel bronze strainer with flashing clamp device and adjustable strainer top with scoriated, hinged, light-duty cover.



Strainer Designation	Dimensions in inches [mm]					Approximate Weight lb [kg]
	A Pipe Size	K		K'		
		Min.	Max.	Min.	Max.	
-6SC	2 [51], 3 [76], 4 [102]	1-3/16 [30]	1-15/16 [152]	1-3/4 [44]	2-7/8 [73]	16 [7]

PREFIXES	DESCRIPTION	STRAINER DESIG.	PIPE SIZE	LIST PRICE
<b>ZN415*</b>	D.C.C.I. Body Assembly with Polished Nickel Bronze Top	-6SC	2", 3", 4"	<b>1,695.00</b>
<b>ZB415</b>	D.C.C.I. Body Assembly with Polished Bronze Top	-6SC	2", 3", 4"	<b>1,485.00</b>
<b>Z415</b>	D.C.C.I. Body Assembly ONLY (add "-L/Top" to product sku)	No Strainer	2", 3", 4"	<b>269.00</b>

OUTLETS (SPECIFY PIPE SIZE IN INCHES AND TYPE OF OUTLET)				
OUTLET TYPE	PIPE SIZE/ OUTLET TYPE	E BODY HT. DIM.	ADD	
<b>NH</b>	No-Hub	2NH, 3NH, 4NH	3-13/16"	<b>N/C</b>
<b>NL</b>	Neo-Loc	2NL, 3NL, 4NL	3-7/8"	<b>N/C</b>

SUFFIXES	ADD
<b>-AR</b>	Acid Resisting Epoxy Coated Cast Iron <b>236.00</b>
<b>-CP</b>	Chrome-Plated Bronze Top <b>700.00</b>
<b>-G</b>	Galvanized Cast Iron <b>273.00</b>
<b>-GC</b>	Gasketed Cover <b>119.00</b>
<b>-LR</b>	Lift Ring <b>308.00</b>
<b>-P</b>	Trap Primer Connection (1/2") <b>N/C</b>
Ⓢ <b>-SA</b>	Stabilizer Assembly (See Z1035) <b>193.00</b>
Ⓢ <b>-SQ</b>	Stabilizer Q-deck (See Z1035-Q) <b>255.00</b>
Ⓢ <b>-SR</b>	Stabilizer Ring (See Z400-SR) <b>168.00</b>
Ⓢ <b>-TC</b>	Neo-Loc Test Cap Gasket (2", 3", 4" NL Bottom Outlet Only) <b>36.00</b>
<b>-TS</b>	Top Secured with Slotted Screw <b>83.00</b>
<b>-U</b>	1"-3" High Extension Adapter (See Z400-U) <b>195.00</b>
	For each additional 1" above 3" <b>137.00</b>
<b>-V</b>	Backwater Valve (Not Available with -Y) <b>522.00</b>
<b>-VP</b>	Vandal-Proof Secured Top <b>137.00</b>
<b>-Y</b>	Sediment Bucket (Not Available with -V) <b>152.00</b>

\*Regularly furnished unless otherwise specified.

Items designated as Best Sellers are most specified and are generally in stock for shipment.

Ⓢ This symbol denotes a product that is engineered to reduce installation and rework time.

For additional product information, please visit [www.zurn.com](http://www.zurn.com)

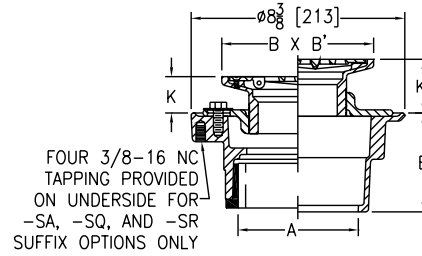
Patent [zurn.com/patents](http://zurn.com/patents)

## Z415 BODY ASSEMBLY WITH "TYPE SH" STRAINER



### ENGINEERING SPECIFICATION

Zurn ZN415SH floor and shower drain features Dura-Coated cast iron body with bottom outlet, combination invertible membrane clamp and adjustable collar with seepage slots, and "TYPE SH" polished, nickel bronze, square, hinged, light-duty strainer.



Strainer Designation	Dimensions in inches [mm]						Str. Open Area sq in [cm <sup>2</sup> ]	Approximate Weight lb [kg]
	A Pipe Size	B x B' Strainer Top Size	K		K'			
			Min.	Max.	Min.	Max.		
-6SH	2 [51], 3 [76], 4 [102]	6 x 6 [152]	1 [25]	1-7/8 [48]	1-3/4 [44]	2-5/8 [67]	12 [77]	13 [6]
-8SH	6 [152]	8 x 8 [203]	1-5/32 [29]	2 [51]	2 [51]	3-3/4 [95]	21 [135]	17 [8]
								19 [9]

PREFIXES	DESCRIPTION	STRAINER DESIG.	PIPE SIZE	LIST PRICE
<b>ZN415*</b>	D.C.C.I. Body Assembly with Polished Nickel Bronze Top	-6SH	2", 3", 4"	<b>1,436.00</b>
		-8SH	2", 3", 4"	<b>1,897.00</b>
			6"	<b>2,678.00</b>
<b>ZB415</b>	D.C.C.I. Body Assembly with Polished Bronze Top	-6SH	2", 3", 4"	<b>1,382.00</b>
		-8SH	2", 3", 4"	<b>1,757.00</b>
			6"	<b>2,543.00</b>
<b>Z415</b>	D.C.C.I. Body Assembly ONLY (add "-L/Top" to product sku)	No Strainer	2", 3", 4"	<b>269.00</b>
			6"	<b>1,012.00</b>

OUTLETS (SPECIFY PIPE SIZE IN INCHES AND TYPE OF OUTLET)				
OUTLET TYPE		PIPE SIZE/ OUTLET TYPE	E BODY HT. DIM.	ADD
<b>IP</b>	Threaded	2IP	2-7/16"	<b>114.00</b>
		3IP	2-3/4"	<b>114.00</b>
		4IP	2-13/16"	<b>114.00</b>
		6IP	2-7/8"	<b>114.00</b>
<b>NH</b>	No-Hub	2NH, 3NH, 4NH	3-13/16"	<b>N/C</b>
<b>NL</b>	Neo-Loc	2NL, 3NL, 4NL	3-7/8"	<b>N/C</b>

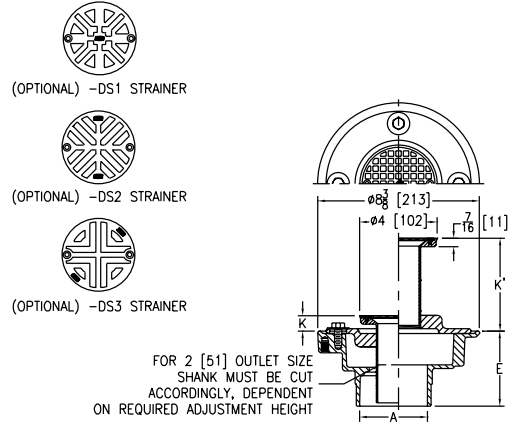
SUFFIXES		ADD
<b>-AR</b>	Acid Resisting Epoxy Coated Cast Iron	<b>236.00</b>
<b>-G</b>	Galvanized Cast Iron	<b>273.00</b>
<b>-P</b>	Trap Primer Connection (1/2"*)	<b>N/C</b>
Ⓞ <b>-SA</b>	Stabilizer Assembly (See Z1035)	<b>193.00</b>
Ⓞ <b>-SQ</b>	Stabilizer Q-deck (See Z1035-Q)	<b>255.00</b>
Ⓞ <b>-SR</b>	Stabilizer Ring (See Z400-SR)	<b>168.00</b>
Ⓞ <b>-TC</b>	Neo-Loc Test Cap Gasket (2", 3", 4" NL Bottom Outlet Only)	<b>36.00</b>
<b>-U</b>	1"-3" High Extension Adapter (See Z400-U)	D.C. <b>195.00</b>
		Galv. <b>422.00</b>
	For each additional 1" above 3"	<b>137.00</b>
<b>-V</b>	Backwater Valve (Not Available with -Y)	<b>522.00</b>
<b>-VP</b>	Vandal-Proof Secured Top	<b>83.00</b>
<b>-Y</b>	Sediment Bucket (Not Available with -V)	<b>152.00</b>
<b>-90</b>	90° Threaded Side Outlet Body Assembly (2" and 3" Only)	<b>302.00</b>

# Z420 DEEP SHANK FLOOR AND SHOWER DRAIN FOR MARBLE AND GRANITE APPLICATIONS



## ENGINEERING SPECIFICATION

Zurn ZN420 deep shank floor and shower drain features white acid resisting coated cast iron body and invertible membrane clamp with seepage slots, polished nickel bronze adjustable head with 2" N.P.S.M. shank, and 4" diameter round, secured strainer.

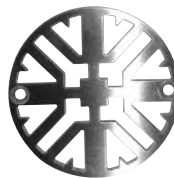


Dimensions in inches [mm]					Str. Open Area sq in [cm <sup>2</sup> ]	Approximate Weight lb [kg]
A Pipe Size	K		K'			
	Min.	Max.	Min.	Max.		
2 [51], 3 [76], 4 [102]	13/16 [21]	3-3/4 [95]	1-1/4 [32]	4-13/16 [122]	5 [32]	15 [7]
6 [152]						13 [6]

PREFIXES	DESCRIPTION	PIPE SIZE	LIST PRICE
<b>ZN420*</b>	White A.R.C. Cast Iron Body and Collar with Polished Nickel Bronze Top	2", 3", 4"	<b>966.00</b>
		6"	<b>2,699.00</b>
<b>ZB420</b>	White A.R.C. Cast Iron Body and Collar with Polished Bronze Top	2", 3", 4"	<b>917.00</b>
		6"	<b>2,389.00</b>

OUTLETS (SPECIFY PIPE SIZE IN INCHES AND TYPE OF OUTLET)				
OUTLET TYPE		PIPE SIZE/ OUTLET TYPE	E BODY HT. DIM.	ADD
<b>IC</b>	Inside Caulk	2IC, 3IC, 4IC	4-13/16"	<b>N/C</b>
<b>IP</b>	Threaded	2IP	2-7/16"	<b>114.00</b>
		3IP	2-3/4"	<b>114.00</b>
		4IP	2-13/16"	<b>114.00</b>
		6IP	2-7/8"	<b>114.00</b>
<b>NH</b>	No-Hub	2NH, 3NH, 4NH	3-13/16"	<b>N/C</b>
<b>NL</b>	Neo-Loc	2NL, 3NL, 4NL	3-7/8"	<b>N/C</b>

SUFFIXES		ADD
<b>-DS1</b>	Decorative Strainer	<b>N/C</b>
<b>-DS2</b>	Decorative Strainer	<b>N/C</b>
<b>-DS3</b>	Decorative Strainer	<b>N/C</b>
<b>-G</b>	Galvanized Cast Iron	<b>262.00</b>
<b>-P</b>	Trap Primer Connection (1/2"*)	<b>N/C</b>
⌚ <b>-SA</b>	Stabilizer Assembly (See Z1035)	<b>193.00</b>
⌚ <b>-SQ</b>	Stabilizer Q-deck (See Z1035-Q)	<b>255.00</b>
⌚ <b>-SR</b>	Stabilizer Ring (See Z400-SR)	<b>168.00</b>
⌚ <b>-TC</b>	Neo-Loc Test Cap Gasket (2", 3", 4" NL Bottom Outlet Only)	<b>36.00</b>
<b>-VP</b>	Vandal-Proof Secured Top	<b>83.00</b>



-DS1 Option



-DS2 Option



-DS3 Option

\*Regularly furnished unless otherwise specified.

Items designated as Best Sellers are most specified and are generally in stock for shipment.

⌚ This symbol denotes a product that is engineered to reduce installation and rework time.

For additional product information, please visit [www.zurn.com](http://www.zurn.com)

Patent [zurn.com/patents](http://zurn.com/patents)



# Z450 DRUM TRAP DRAIN WITH "TYPE B" STRAINER

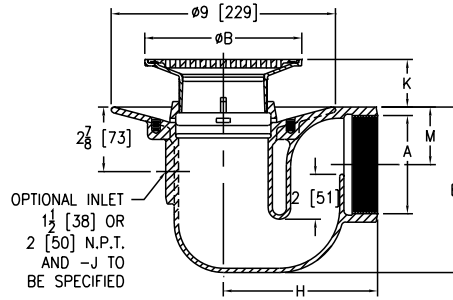


## ENGINEERING SPECIFICATION

Zurn ZN450B drum trap floor and shower drain features Dura-Coated cast iron body with integral trap, side outlet, seepage pan, and adjustable "TYPE B" polished, nickel bronze strainer.

## NOTES

For other available strainer variations, see our Z400 Strainer Series. Add price for required strainer to "BODY ONLY" price in chart. Specify strainer designation required.



Strainer Designation	Dimensions in inches [mm]								Str. Open Area sq in [cm <sup>2</sup> ]	Approximate Weight lb [kg]
	A Pipe Size	B Diameter	H		K		M			
			IP	NH	Min.	Max.	IP	NH		
-5B	2 [51]	5 [127]	6-1/16 [154]	11 [279]	7/8 [222]	2 [51]	1-15/32 [37]	2 [51]	8 [52]	18 [8]
	3 [76]		6-7/16 [164]				2-3/32 [53]	2-9/16 [65]		
	4 [102]		6-7/8 [175]				2-19/32 [66]	2-19/32 [66]		
-6B	2 [51]	6 [152]	6-1/16 [154]	11 [279]	1-1/8 [29]	2-1/4 [57]	1-15/32 [37]	2 [51]	9 [58]	19 [9]
	3 [76]		6-7/16 [164]				2-3/32 [53]	2-9/16 [65]		
	4 [102]		6-7/8 [175]				2-19/32 [66]	2-19/32 [66]		
-8B	2 [51]	8 [203]	6-1/16 [154]	11 [279]	1-1/2 [38]	2-5/8 [67]	1-15/32 [37]	2 [51]	18 [116]	33 [15]
	3 [76]		6-7/16 [164]				2-3/32 [53]	2-9/16 [65]		
	4 [102]		6-7/8 [175]				2-19/32 [66]	2-19/32 [66]		

PREFIXES	DESCRIPTION	STRAINER DESIG.	PIPE SIZE	LIST PRICE
<b>ZN450B*</b>	D.C.C.I. Body Assembly with Polished Nickel Bronze Top	-5B	2", 3"	<b>1,235.00</b>
			4"	<b>1,707.00</b>
		-6B	2", 3"	<b>1,388.00</b>
			4"	<b>1,861.00</b>
<b>ZB450B</b>	D.C.C.I. Body Assembly with Polished Bronze Top	-5B	2", 3"	<b>1,200.00</b>
			4"	<b>1,671.00</b>
		-6B	2", 3"	<b>1,306.00</b>
			4"	<b>1,778.00</b>
-8B	2", 3"	<b>1,700.00</b>		
	4"	<b>2,171.00</b>		
<b>Z450</b>	D.C.C.I. Body Assembly ONLY (add "-L/Top" to product sku)	No Strainer	2", 3"	<b>813.00</b>
			4"	<b>1,287.00</b>

SUFFIXES	ADD
-C	Clamp Collar <b>N/C</b>
-G	Galvanized Cast Iron <b>567.00</b>
-P	Trap Primer Connection (1/2") <b>207.00</b>
-PC	Protective Cover <b>91.00</b>
-U	1"-3" High Extension Adapter (See Z400-U) D.C. <b>195.00</b>
	Galv. <b>422.00</b>
	For each additional 1" above 3" <b>137.00</b>
-V	Backwater Valve (Not Available with -Y) (Ball Float Type) <b>533.00</b>
-VP	Vandal-Proof Secured Top <b>83.00</b>
-Y	Sediment Bucket (Not Available with -Y) <b>152.00</b>

OUTLETS (SPECIFY PIPE SIZE IN INCHES AND TYPE OF OUTLET)			
OUTLET TYPE		PIPE SIZE/ OUTLET TYPE	E BODY HT. DIM. ADD
IP	Threaded	2IP, 3IP	6-17/32" <b>N/C</b>
		4IP	7-7/16" <b>N/C</b>
NH	No-Hub	2NH, 3NH	7-7/16" <b>N/C</b>
		4NH	7-7/16" <b>N/C</b>

For additional product information, please visit [www.zurn.com](http://www.zurn.com)  
 Patent [zurn.com/patents](http://zurn.com/patents)

\*Regularly furnished unless otherwise specified.  
 Items designated as Best Sellers are most specified and are generally in stock for shipment.  
 ⊕ This symbol denotes a product that is engineered to reduce installation and rework time.

# Z451 SHALLOW TRAP DRAIN WITH "TYPE B" STRAINER

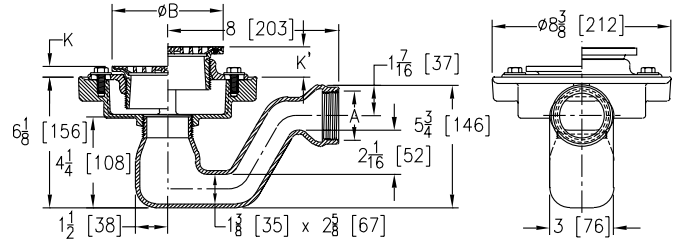


## ENGINEERING SPECIFICATION

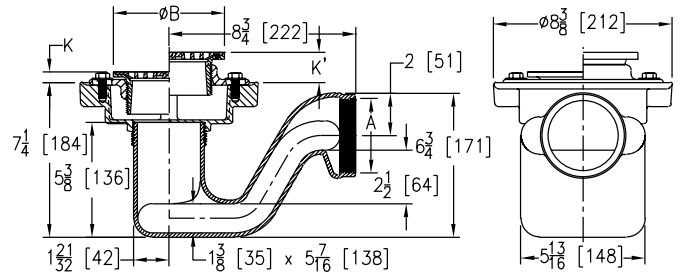
Zurn ZN451B Shallow trap floor and shower drain features Dura-Coated cast iron body with bottom outlet, combination invertible membrane clamp and adjustable collar with seepage slots, adjustable "TYPE B" polished, nickel bronze, heel-proof strainer, and cast iron shallow trap body with 2" or 3" waterway and threaded side outlet.

## NOTES

For other available strainer variations, see our Z400 Strainer Series. Add price for required strainer to "BODY ONLY" price in chart. Specify strainer designation required.



-2IP Option Shown



-3IP Option Shown

Strainer Designation	Dimensions in inches [mm]						Str. Open Area sq in [cm <sup>2</sup> ]	Approximate Weight lb [kg]
	A Pipe Size	B Diameter	K		K'			
			Min.	Max.	Min.	Max.		
-5B	2 [51], 3 [76]	5 [127]	1 [25]	1-1/2 [38]	1-3/32 [27]	2-1/4 [57]	8 [52]	15 [7]
-6B		6 [152]		1-25/32 [45]	1-13/32 [36]	2-17/32 [64]	9 [58]	18 [8]
-7B		7 [178]		2-1/8 [54]	1-23/32 [44]	2-7/8 [73]	12 [77]	20 [9]
-8B	8 [203]	1-5/32 [29]	1-3/4 [44]		18 [116]		21 [10]	

PREFIXES	DESCRIPTION	STRAINER DESIG.	PIPE SIZE	LIST PRICE
<b>ZN451B*</b>	D.C.C.I. Body Assembly with Polished Nickel Bronze Top	-5B	2", 3"	<b>1,230.00</b>
		-6B	2", 3"	<b>1,382.00</b>
		-7B	2", 3"	<b>1,512.00</b>
		-8B	3"	<b>1,757.00</b>
<b>ZB451B</b>	D.C.C.I. Body Assembly with Polished Bronze Top	-5B	2", 3"	<b>1,194.00</b>
		-6B	2", 3"	<b>1,301.00</b>
		-7B	2", 3"	<b>1,460.00</b>
		-8B	3"	<b>1,696.00</b>
<b>Z451</b>	D.C.C.I. Body Assembly ONLY (add "-L/Top" to product sku)	No Strainer	2", 3"	<b>749.00</b>

SUFFIXES	ADD
-CP	Chrome-Plated Bronze Top <b>700.00</b>
-G	Galvanized Cast Iron <b>538.00</b>
-P	Trap Primer Connection (1/2") <b>N/C</b>
Ⓢ -PC	Protective Cover <b>91.00</b>
-U	1"-3" High Extension Adapter (See Z400-U) <b>D.C. 195.00</b>
	Galv. <b>422.00</b>
	For each additional 1" above 3" <b>137.00</b>
-V	Backwater Valve (Not Available with -Y) <b>522.00</b>
-VP	Vandal-Proof Secured Top <b>83.00</b>
-Y	Sediment Bucket (Not Available with -V) <b>152.00</b>

OUTLETS (SPECIFY PIPE SIZE IN INCHES AND TYPE OF OUTLET)			
OUTLET TYPE	PIPE SIZE/ OUTLET TYPE	E BODY HT. DIM.	ADD
IP	Threaded	2IP, 3IP	6-17/32" <b>N/C</b>

\*Regularly furnished unless otherwise specified.

Items designated as Best Sellers are most specified and are generally in stock for shipment.

Ⓢ This symbol denotes a product that is engineered to reduce installation and rework time.

For additional product information, please visit [www.zurn.com](http://www.zurn.com)

Patent [zurn.com/patents](http://zurn.com/patents)

INTRO  
ROOF DRAINS  
FLOOR DRAINS  
I, P, BW VALVES  
INTERCEPTORS  
CARRIERS  
HYDRANTS  
CLEANOUTS  
WHA  
SS DRAINS  
SANI-FLOOR  
TECH INFO

# Z453 DEEP SEAL TRAP DRAIN WITH "TYPE B" STRAINER

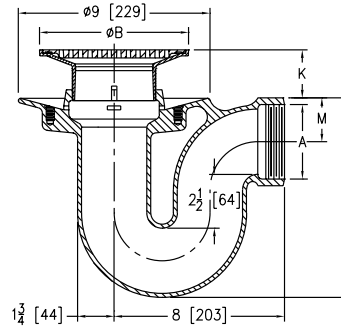


## ENGINEERING SPECIFICATION

Zurn ZN453B deep seal trap floor and shower drain features Dura-Coated cast iron body with uniform diameter integral trap, side outlet, seepage pan, and adjustable "TYPE B" polished, nickel bronze light-duty strainer.

## NOTES

For other available strainer variations, see our Z400 Strainer Series. Add price for required strainer to "BODY ONLY" price in chart. Specify strainer designation required.



Strainer Designation	Dimensions in inches [mm]				Str. Open Area sq in [cm <sup>2</sup> ]	Approximate Weight lb [kg]	
	A Pipe Size	B Diameter	K				M
			Min.	Max.			
-5B	2 [51], 3 [76]	5 [127]	3/4 [19]	1-7/8 [48]	2-1/8 [54]	8 [52]	30 [14]
	4 [102]					9 [58]	31 [14]
-6B	2 [51], 3 [76]	6 [152]	1-1/8 [29]	2-1/8 [54]		12 [77]	32 [15]
	4 [102]					18 [116]	33 [15]
-7B	2 [51], 3 [76]	7 [178]	1-3/8 [35]	2-1/2 [64]			
	4 [102]						
-8B	4 [102]	8 [203]					

PREFIXES	DESCRIPTION	STRAINER DESIG.	PIPE SIZE	LIST PRICE
<b>ZN453B*</b>	D.C.C.I. Body Assembly with Polished Nickel Bronze Top	-5B	2", 3"	<b>1,375.00</b>
			4"	<b>1,512.00</b>
		-6B	2", 3"	<b>1,525.00</b>
			4"	<b>1,666.00</b>
		-7B	2", 3"	<b>1,658.00</b>
			4"	<b>1,793.00</b>
		-8B	4"	<b>2,044.00</b>
<b>ZB453B</b>	D.C.C.I. Body Assembly with Polished Bronze Top	-5B	2", 3"	<b>1,339.00</b>
			4"	<b>1,480.00</b>
		-6B	2", 3"	<b>1,445.00</b>
			4"	<b>1,584.00</b>
		-7B	2", 3"	<b>1,606.00</b>
			4"	<b>1,746.00</b>
-8B	4"	<b>1,978.00</b>		
<b>Z453</b>	D.C.C.I. Body Assembly ONLY (add "-L/Top" to product sku)	No Strainer	2", 3"	<b>957.00</b>
			4"	<b>1,095.00</b>

SUFFIXES	ADD
-C	Clamp Collar <b>N/C</b>
-P	Trap Primer Connection (1/2") <b>207.00</b>
Ⓞ -PC	Protective Cover <b>91.00</b>
-U	1"-3" High Extension Adapter (See Z400-U) D.C. <b>195.00</b>
	For each additional 1" above 3" <b>137.00</b>
-vp	Vandal-Proof Secured Top <b>83.00</b>
-Y	Sediment Bucket <b>152.00</b>

OUTLETS (SPECIFY PIPE SIZE IN INCHES AND TYPE OF OUTLET)				
OUTLET TYPE		PIPE SIZE/ OUTLET TYPE	E BODY HT. DIM.	ADD
IP	Threaded	2IP, 3IP, 4IP	9-3/8"	<b>N/C</b>
NH	No-Hub	2NH, 3NH, 4NH	9-3/8"	<b>N/C</b>

## Z455 TRAP DRAIN WITH FLOOR CLEANOUT WITH "TYPE B" STRAINER

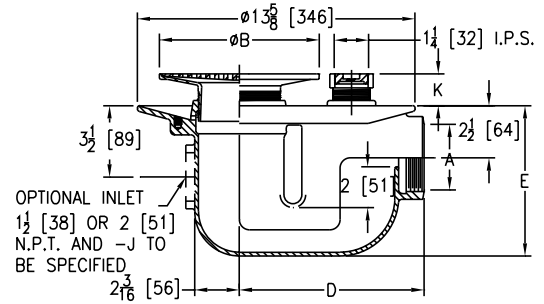


### ENGINEERING SPECIFICATION

Zurn ZN455B floor and shower trap drain features Dura-Coated cast iron body with integral trap, side outlet, seepage pan, floor level cleanout, and adjustable "TYPE B" polished, nickel bronze, light-duty strainer.

### NOTES

For other available strainer variations, see our Z400 Strainer Series. Add price for required strainer to "BODY ONLY" price in chart. Specify strainer designation required.



Strainer Designation	Dimensions in inches [mm]				Str. Open Area sq in [cm <sup>2</sup> ]	Approximate Weight lb [kg]
	A Pipe Size	B Diameter	K			
			Min.	Max.		
-5B	2 [51], 3 [76], 4 [102]	5 [127]	7/8 [22]	2 [51]	8 [52]	37 [17]
-6B		6 [152]	1-1/8 [29]	2-1/4 [57]	9 [58]	39 [18]
-7B		7 [178]	1-1/2 [38]	2-5/8 [67]	12 [77]	41 [19]
-8B		8 [203]			18 [116]	43 [20]

PREFIXES	DESCRIPTION	STRAINER DESIG.	PIPE SIZE	LIST PRICE
<b>ZN455B*</b>	D.C.C.I. Body Assembly with Polished Nickel Bronze Top	-5B	2", 3", 4"	<b>2,046.00</b>
		-6B	2", 3", 4"	<b>2,200.00</b>
		-7B	2", 3", 4"	<b>2,327.00</b>
		-8B	2", 3", 4"	<b>2,575.00</b>
<b>Z455</b>	D.C.C.I. Body Assembly ONLY (add "-L/Top" to product sku)	No Strainer	2", 3", 4"	<b>1,627.00</b>
OUTLETS (SPECIFY PIPE SIZE IN INCHES AND TYPE OF OUTLET)				
OUTLET TYPE		PIPE SIZE/ OUTLET TYPE	E BODY HT. DIM.	ADD
<b>IP</b>	Threaded	2IP, 3IP	7-3/8"	<b>N/C</b>
		4IP	7-3/8"	<b>N/C</b>
<b>NH</b>	No-Hub	2NH, 3NH, 4NH	7-3/8"	<b>N/C</b>

SUFFIXES		ADD
<b>-C</b>	Clamping Collar	<b>N/C</b>
<b>-FC</b>	Flush Cover for Plug	<b>162.00</b>
<b>-P</b>	Trap Primer Connection (1/2")	<b>207.00</b>
Ⓢ <b>-PC</b>	Protective Cover	<b>91.00</b>
<b>-V</b>	Backwater Valve-Ball Float Type (Not Available with -Y)	<b>546.00</b>
<b>-VP</b>	Vandal-Proof Secured Top	<b>83.00</b>
<b>-Y</b>	Sediment Bucket (Not Available with -V)	<b>152.00</b>

\*Regularly furnished unless otherwise specified.

Items designated as Best Sellers are most specified and are generally in stock for shipment.

Ⓢ This symbol denotes a product that is engineered to reduce installation and rework time.

For additional product information, please visit [www.zurn.com](http://www.zurn.com)

Patent [zurn.com/patents](http://zurn.com/patents)

# Z456 DEEP SEAL TRAP DRAIN WITH FLOOR CLEANOUT AND CLAMP COLLAR WITH "TYPE B" STRAINER

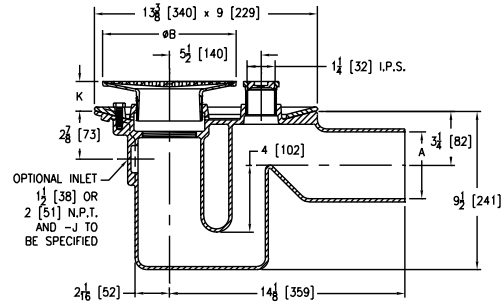


## ENGINEERING SPECIFICATION

Zurn ZN456B floor and shower drain features Dura-Coated cast iron body, deep seal integral trap with clamp collar, seepage pan, floor level cleanout, and adjustable "Type B" polished, nickel bronze strainer.

## NOTES

For other available strainer variations, see our Z400 Strainer Series. Add price for required strainer to "BODY ONLY" price in chart. Specify strainer designation required.



Strainer Designation	Dimensions in inches [mm]				Str. Open Area sq in [cm <sup>2</sup> ]	Approximate Weight lb [kg]
	A Pipe Size	B Diameter	K			
			Min.	Max.		
-5B	2 [51], 3 [76], 4 [102]	5 [127]	1-1/4 [32]	2 [51]	8 [52]	41 [19]
-6B		6 [152]	1-1/8 [29]	2-1/4 [57]	9 [58]	43 [20]
-7B		7 [178]	1-1/2 [38]	2-5/8 [67]	12 [77]	45 [20]
-8B		8 [203]			18 [116]	47 [21]

PREFIXES	DESCRIPTION	STRAINER DESIG.	PIPE SIZE	LIST PRICE
<b>ZN456B*</b>	D.C.C.I. Body Assembly with Polished Nickel Bronze Top	-5B	2", 3", 4"	<b>2,092.00</b>
		-6B	2", 3", 4"	<b>2,250.00</b>
		-7B	2", 3", 4"	<b>2,375.00</b>
		-8B	2", 3", 4"	<b>2,621.00</b>
<b>Z456</b>	D.C.C.I. Body Assembly ONLY (add "-L/Top" to product sku)	No Strainer	2", 3", 4"	<b>1,675.00</b>
OUTLETS (SPECIFY PIPE SIZE IN INCHES AND TYPE OF OUTLET)				
OUTLET TYPE	PIPE SIZE/OUTLET TYPE	ADD		
NH	No-Hub	2NH, 3NH, 4NH	<b>N/C</b>	

SUFFIXES	ADD
<b>-AR</b>	Acid Resisting Epoxy Coated Cast Iron <b>1,070.00</b>
<b>-G</b>	Galvanized Cast Iron <b>635.00</b>
<b>-P</b>	Trap Primer Connection (1/2") <b>207.00</b>
Ⓢ <b>-PC</b>	Protective Cover <b>91.00</b>
<b>-V</b>	Backwater Valve-Ball Float Type (Not Available with -Y) <b>546.00</b>
<b>-VP</b>	Vandal-Proof Secured Top <b>83.00</b>
<b>-Y</b>	Sediment Bucket (Not Available with -V) <b>152.00</b>
BEST SELLER LIST PRICE	
ZN456-2NH-5B	<b>2,092.00</b>

# Z460B SHALLOW BODY FLOOR DRAIN WITH SIDE OUTLET AND "TYPE B" STRAINER

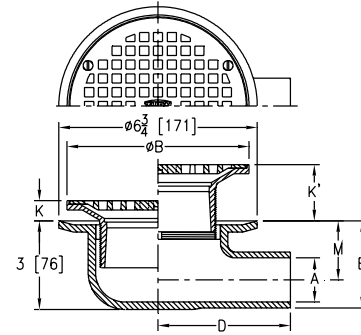


## ENGINEERING SPECIFICATION

Zurn ZN460B shallow body floor and shower drain features Dura-Coated cast iron body with side outlet, seepage slots, and integral threaded connection for "TYPE B" polished nickel bronze light-duty strainer.

## NOTES

For other available strainer variations, see our Z400 Strainer Series. Add price for required strainer to "BODY ONLY" price in chart. Specify strainer designation required.



Strainer Designation	Dimensions in inches [mm]					Str. Open Area sq in [cm <sup>2</sup> ]	Approximate Weight lb [kg]
	A Pipe Size	B Diameter	K Min.	K Max.	M		
-5B	1-1/2 [38]	5 [127]	15/32 [12]	1-5/8 [41]	2 [51]	8 [52]	8 [4]
	2 [51]						
-6B	1-1/2 [38]	6 [152]	11/16 [17]	1-29/32 [48]	2 [51]	9 [58]	9 [4]
	2 [51]						
-7B	1-1/2 [38]	7 [178]	1 [25]	2-1/4 [57]	2 [51]	12 [77]	10 [5]
	2 [51]						

PREFIXES	DESCRIPTION	STRAINER DESIG.	PIPE SIZE	LIST PRICE
<b>ZN460B*</b>	D.C.C.I. Body Assembly with Polished Nickel Bronze Top	-5B	1-1/2", 2"	<b>922.00</b>
		-6B	1-1/2", 2"	<b>1,077.00</b>
		-7B	1-1/2", 2"	<b>1,207.00</b>
<b>ZB460B</b>	D.C.C.I. Body Assembly with Polished Bronze Top	-5B	1-1/2", 2"	<b>890.00</b>
		-6B	1-1/2", 2"	<b>995.00</b>
		-7B	1-1/2", 2"	<b>1,154.00</b>
<b>Z460</b>	D.C.C.I. Body Assembly ONLY (add "-L/Top" to product sku)	No Strainer	1-1/2", 2"	<b>513.00</b>

OUTLETS (SPECIFY PIPE SIZE IN INCHES AND TYPE OF OUTLET)				
OUTLET TYPE		PIPE SIZE/ OUTLET TYPE	E BODY HT. DIM.	ADD
<b>IP</b>	Threaded	1-1/2IP	3-5/32"	<b>114.00</b>
		2IP	3-7/32"	<b>114.00</b>
<b>NH</b>	No-Hub	1-1/2NH, 2NH	2-31/32"	<b>N/C</b>

SUFFIXES		ADD
<b>-C</b>	Clamp Collar	<b>121.00</b>
<b>-CP</b>	Chrome-Plated Bronze Top	<b>700.00</b>
<b>-G</b>	Galvanized Cast Iron	<b>406.00</b>
<b>-PC</b>	Protective Cover	<b>91.00</b>
<b>-VP</b>	Vandal-Proof Secured Top	<b>83.00</b>
<b>-Y</b>	Sediment Bucket	<b>152.00</b>
BEST SELLERS		LIST PRICE
ZB460-2IP-5B-VP-G		<b>1,379.00</b>
ZB460-2NH-5B-C-CP		<b>1,711.00</b>
ZN460-2NH-5B		<b>922.00</b>

\*Regularly furnished unless otherwise specified.

Items designated as Best Sellers are most specified and are generally in stock for shipment.

⌚ This symbol denotes a product that is engineered to reduce installation and rework time.

For additional product information, please visit [www.zurn.com](http://www.zurn.com)  
Patent [zurn.com/patents](http://zurn.com/patents)

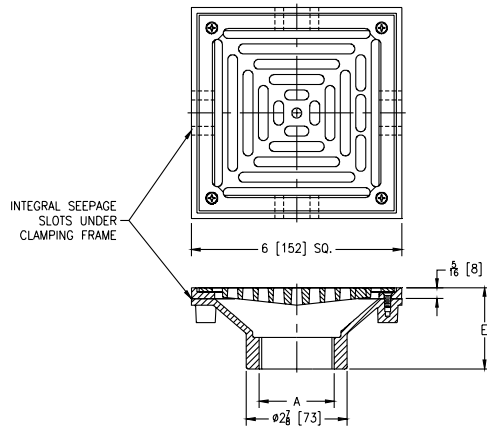
## Z461 6" SQUARE MODULAR NON-ADJUSTABLE FLOOR DRAIN WITH CLAMPING FRAME



### ENGINEERING SPECIFICATION

Zurn Z461 floor and shower drain features Dura-Coated cast iron, low profile body with 2" bottom outlet, combination nickel bronze membrane clamp and frame with seepage slots, and square heel-proof, slotted, light-duty, secured strainer.

A Pipe Size inch [mm]	Grate Open Area sq in [cm <sup>2</sup> ]	Approximate Weight lb [kg]
2 [51]	13 [84]	5 [2]



PREFIXES	DESCRIPTION	PIPE SIZE	LIST PRICE
ZN461*	D.C.C.I. Body Assembly with Polished Bronze Top	2"	1,094.00

### OUTLETS (SPECIFY PIPE SIZE IN INCHES AND TYPE OF OUTLET)

OUTLET TYPE	PIPE SIZE/ OUTLET TYPE	E BODY HT. DIM.	ADD	
IP	Threaded	2IP	2-5/16"	N/C

### SUFFIXES

SUFFIXES	DESCRIPTION	ADD
-AR	Acid Resisting Epoxy Coated Cast Iron	236.00
-CP	Chrome-Plated Top	700.00
-DP	Decorative Polished Top	236.00
-G	Galvanized Cast Iron	273.00
-PC	Protective Cover	91.00
-VP	Vandal-Proof Secured Top	83.00

## Z503 15" HEAVY-DUTY AREA DRAIN



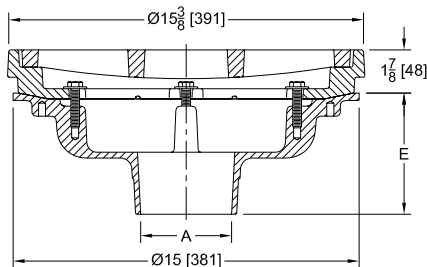
### ENGINEERING SPECIFICATION

Zurn Z503 15-3/8" diameter top drain features Dura-Coated cast iron body with bottom outlet, seepage pan, and heavy-duty, anti-tilt, slotted grate.

### NOTES

†Add 3/16" to 1-7/8" dimension for ZN

A Pipe Size inch [mm]	Grate Open Area sq in [cm <sup>2</sup> ]	Approximate Weight lb [kg]
2 [51], 3 [76], 4 [102]	53 [242]	65 [29]
6 [152]		62 [28]
8 [203]		63 [29]



PREFIXES	DESCRIPTION	PIPE SIZE	LIST PRICE
Z503*	D.C.C.I. Body and Top	2", 3", 4", 6", 8"	3,923.00

ZN503	D.C.C.I. Body Assembly with Polished Nickel Bronze Top	2", 3", 4", 6", 8"	5,815.00
-------	--	--------------------	----------

### OUTLETS (SPECIFY PIPE SIZE IN INCHES AND TYPE OF OUTLET)

OUTLET TYPE	PIPE SIZE/ OUTLET TYPE	E BODY HT. DIM.	ADD	
IC	Inside Caulk	3IC, 4IC, 6IC	5-1/4"	N/C
IG	Inside Gasket	3IG, 4IG, 6IG	5-1/4"	N/C
NH	No-Hub	2NH, 3NH, 4NH, 6NH, 8NH	5-1/4"	N/C
NL	Neo-Loc	2NL, 3NL, 4NL	4-5/8"	N/C

### SUFFIXES

SUFFIXES	DESCRIPTION	ADD
-AR	Acid Resisting Epoxy Coated Cast Iron	1,263.00
-DG	Duresist Grate	898.00
-G	Galvanized Cast Iron	1,434.00
-S	Secondary Strainer	137.00
-TC	Neo-Loc Test Cap Gasket (2", 3", 4" NL Bottom Outlet Only)	36.00
-TS	Top Secured with Slotted Screws	180.00
-V	Backwater Valve-Ball Float Type	N/C
-VP	Vandal-Proof Secured Top	203.00
-Y	Sediment Bucket	432.00

### BEST SELLER

BEST SELLER	LIST PRICE
Z503-4NL	3,923.00

# Z505 12" HEAVY-DUTY DRAIN



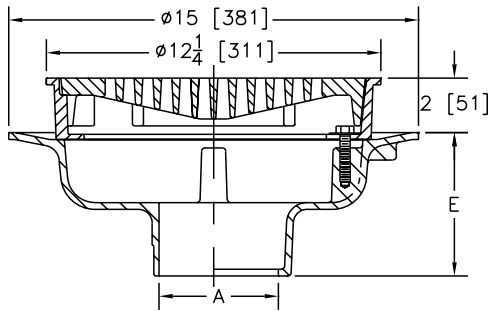
## ENGINEERING SPECIFICATION

Zurn Z505 12-1/4" diameter top drain features Dura-Coated cast iron body with bottom outlet, seepage pan and combination membrane flashing clamp and frame with integral trap primer and plug for heavy-duty, deep flange, slotted grate with sediment bucket.

## NOTES

†Add 3/16" to 2" dimension and 3/4" to 12-1/4" dimension for ZN

A Pipe Size inch [mm]	Grate Open Area sq in [cm <sup>2</sup> ]	Approximate Weight lb [kg]
2 [51], 3 [76], 4 [102], 6 [152]	30 [194]	39 [18]
8 [203]		41 [19]



PREFIXES	DESCRIPTION	PIPE SIZE	LIST PRICE
Z505*	D.C.C.I. Body and Top	2", 3", 4", 6"	1,739.00
		8"	2,154.00
ZN505	D.C.C.I. Body Assembly with Polished Nickel Bronze Top	2", 3", 4", 6"	2,748.00
		8"	3,165.00

OUTLETS (SPECIFY PIPE SIZE IN INCHES AND TYPE OF OUTLET)			
OUTLET TYPE		PIPE SIZE/OUTLET TYPE	E BODY HT. DIM. ADD
IC	Inside Caulk	3IC, 4IC, 6IC	5-1/4" N/C
IG	Inside Gasket	3IG, 4IG, 6IG	5-1/4" N/C
IP	Threaded	2IP, 3IP, 4IP, 6IP, 8IP	3-3/4" 114.00
NH	No-Hub	2NH, 3NH, 4NH, 6NH, 8NH	5-1/4" N/C
NL	Neo-Loc	2NL, 3NL, 4NL	4-5/8" N/C

SUFFIXES		ADD
-AR	Acid Resisting Epoxy Coated Cast Iron	1,164.00
-F	Extension Frame - Per Inch (Specify Height)	173.00
-G	Galvanized Cast Iron	886.00
-HT	Square Hinged Grate	338.00
-S	Secondary Strainer	88.00
Ⓢ -SA	Stabilizer Assembly (See Z1036)	204.00
-SC	Solid Cover	798.00
-SS	Stainless Mesh Liner for Bucket	572.00
-T	Square Top	314.00
Ⓢ -TC	Neo-Loc Test Cap Gasket (2", 3", 4" NL Bottom Outlet Only)	36.00
-TS	Top Secured with Slotted Screws	206.00
-TSP	Trap Seal Protection Device (Size Matches Drain Outlet Selected, See Z1072)	POA
-V	Backwater Valve-Ball Float Type	N/C
-VP	Vandal-Proof Secured Top	183.00
-90	90° Threaded Side Outlet Body Assembly (2", 3", 4", 6" Only)	500.00

BEST SELLERS	LIST PRICE
Z505-3NH	1,739.00
Z505-3NL	1,739.00
Z505-4NH	1,739.00
Z505-4NL	1,739.00
Z505-6NH	1,739.00
Z505-8NH	2,154.00

\*Regularly furnished unless otherwise specified.

Items designated as Best Sellers are most specified and are generally in stock for shipment.

Ⓢ This symbol denotes a product that is engineered to reduce installation and rework time.

For additional product information, please visit [www.zurn.com](http://www.zurn.com)  
Patent [zurn.com/patents](http://zurn.com/patents)



## Z507 7" MEDIUM-DUTY DRAIN



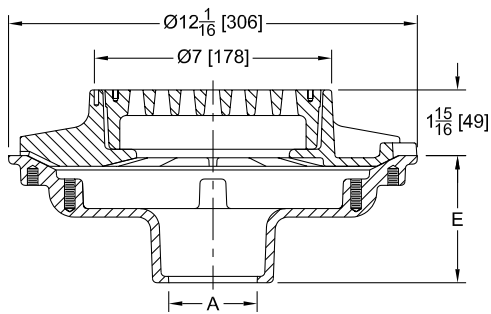
### ENGINEERING SPECIFICATION

Zurn Z507 7" diameter top drain features Dura-Coated cast iron body with bottom outlet, seepage pan, and combination membrane flashing clamp and frame for medium-duty, cast iron, deep flange, slotted grate.

### NOTES

†Add 3/16" to 1-1/2" or 1-15/16" dimension for ZN

A Pipe Size inch [mm]	Grate Open Area sq in [cm <sup>2</sup> ]	Approximate Weight lb [kg]
2 [51], 3 [76], 4 [102]	9 [58]	27 [12]
6 [152]		29 [13]



PREFIXES	DESCRIPTION	PIPE SIZE	LIST PRICE
Z507*	D.C.C.I. Body and Top	2", 3", 4", 6"	636.00
ZN507	D.C.C.I. Body Assembly with Polished Nickel Bronze Top	2", 3", 4", 6"	1,075.00

OUTLETS (SPECIFY PIPE SIZE IN INCHES AND TYPE OF OUTLET)				
OUTLET TYPE		PIPE SIZE/ OUTLET TYPE	E BODY HT. DIM.	ADD
IC	Inside Caulk	4IC	3-3/4"	N/C
IG	Inside Gasket	4IG	3-3/4"	N/C
IP	Threaded	3IP, 4IP	2-3/4"	114.00
NH	No-Hub	2NH, 3NH, 4NH	4-3/4"	N/C
		6NH	5-1/4"	N/C
NL	Neo-Loc	2NL, 3NL, 4NL	3-9/16"	N/C

SUFFIXES			ADD
-AR	Acid Resisting Epoxy Coated Cast Iron		1,164.00
-G	Galvanized Cast Iron		291.00
-P	Trap Primer Connection		207.00
Ⓢ -TC	Neo-Loc Test Cap Gasket (3", 4" NL Bottom Outlet Only)		36.00
-TS	Top Secured with Slotted Screws		180.00
-VP	Vandal-Proof Secured Top		206.00
-Y	Sediment Bucket		87.00

BEST SELLER		LIST PRICE
Z507-4NH		636.00

# Z508 9" EXTRA-HEAVY-DUTY DRAIN



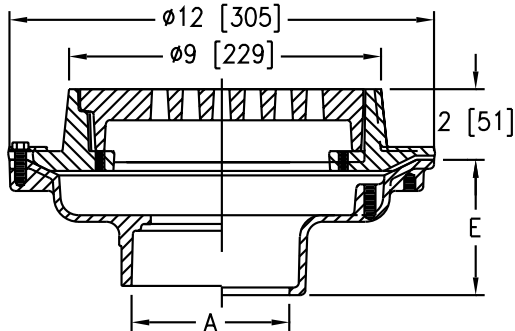
## ENGINEERING SPECIFICATION

Zurn Z508 9" diameter top drain features Dura-Coated cast iron body with bottom outlet, seepage pan, and combination membrane flashing clamp and frame with integrated trap primer and plug for extra heavy-duty, cast iron, deep flange, slotted Duresist grate with sediment bucket.

## NOTES

†Add 3/16" to 2" dimension and 3/4" to 9" dimension for ZN

A Pipe Size inch [mm]	Grate Open Area sq in [cm <sup>2</sup> ]	Approximate Weight lb [kg]
2 [51], 3 [76], 4 [102]	18 [116]	21 [10]
6 [152]		25 [11]



PREFIXES	DESCRIPTION	PIPE SIZE	LIST PRICE
<b>Z508*</b>	D.C.C.I. Body and Top	2", 3", 4"	<b>915.00</b>
		6"	<b>1,092.00</b>
<b>ZN508</b>	D.C.C.I. Body Assembly with Polished Nickel Bronze Top	2", 3", 4"	<b>1,663.00</b>
		6"	<b>1,853.00</b>

OUTLETS (SPECIFY PIPE SIZE IN INCHES AND TYPE OF OUTLET)				
OUTLET TYPE		PIPE SIZE/ OUTLET TYPE	E BODY HT. DIM.	ADD
<b>IC</b>	Inside Caulk	4IC	3-3/4"	<b>N/C</b>
<b>IG</b>	Inside Gasket	4IG	3-3/4"	<b>N/C</b>
<b>IP</b>	Threaded	4IP	2-3/4"	<b>114.00</b>
<b>NH</b>	No-Hub	2NH, 3NH, 4NH	4-3/4"	<b>N/C</b>
		6NH	5-1/4"	<b>N/C</b>
<b>NL</b>	Neo-Loc	2NL, 3NL, 4NL	3-9/16"	<b>N/C</b>

SUFFIXES		ADD
<b>-AR</b>	Acid Resisting Epoxy Coated Cast Iron	<b>688.00</b>
<b>-G</b>	Galvanized Cast Iron	<b>540.00</b>
<b>-HP</b>	Heel Proof Grate	<b>N/C</b>
<b>-S</b>	Secondary Strainer	<b>67.00</b>
<b>-SC</b>	Solid Cover with Lift Handle	<b>664.00</b>
<b>-SG</b>	Solid Gasketed Cover with Handle	<b>796.00</b>
<b>-TC</b>	Neo-Loc Test Cap Gasket (2", 3", 4" NL Bottom Outlet Only)	<b>36.00</b>
<b>-TS</b>	Top Secured with Slotted Screws	<b>180.00</b>
<b>-TSP</b>	Trap Seal Protection Device (Size Matches Drain Outlet Selected, See Z1072)	<b>POA</b>
<b>-VP</b>	Vandal-Proof Secured Top	<b>206.00</b>
<b>-90</b>	90° Threaded Side Outlet Body Assembly (2", 3", 4")	<b>467.00</b>

BEST SELLERS	LIST PRICE
Z508-3NH	<b>915.00</b>
Z508-3NH-HP	<b>915.00</b>
Z508-3NL	<b>915.00</b>
Z508-4NH	<b>915.00</b>
Z508-4NL	<b>915.00</b>
Z508-6NH	<b>1,092.00</b>

\*Regularly furnished unless otherwise specified.

Items designated as Best Sellers are most specified and are generally in stock for shipment.

⌚ This symbol denotes a product that is engineered to reduce installation and rework time.

For additional product information, please visit [www.zurn.com](http://www.zurn.com)

Patent [zurn.com/patents](http://zurn.com/patents)

## Z509 12-1/4" HEAVY-DUTY DRAIN



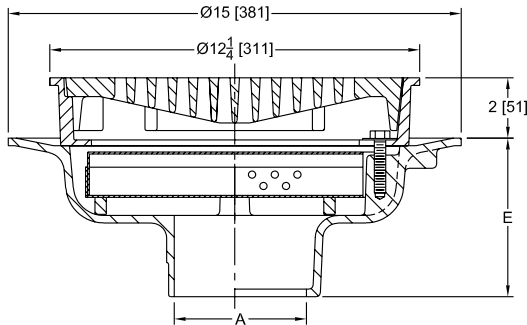
### ENGINEERING SPECIFICATION

Zurn Z509 12-1/4" diameter top drain features Dura-Coated cast iron body with bottom outlet, seepage pan, and combination membrane flashing clamp and frame for heavy-duty deep flange slotted Duresist grate with sediment bucket.

### NOTES

†Add 3/16" to 2" dimension and 3/4" to 12-1/4" dimension for ZN

A Pipe Size inch [mm]	Grate Open Area sq in [cm <sup>2</sup> ]	Approximate Weight lb [kg]
2 [51], 3 [76], 4 [102], 6 [152]	30 [194]	39 [18]
8 [203]		41 [19]



PREFIXES	DESCRIPTION	PIPE SIZE	LIST PRICE
Z509*	D.C.C.I. Body and Top	2", 3", 4", 6", 8"	1,559.00
ZN509	D.C.C.I. Body Assembly with Polished Nickel Bronze Top	2", 3", 4", 6", 8"	2,547.00

OUTLETS (SPECIFY PIPE SIZE IN INCHES AND TYPE OF OUTLET)			
OUTLET TYPE	PIPE SIZE/OUTLET TYPE	E BODY HT. DIM.	ADD
IC	Inside Caulk	3IC, 4IC, 6IC	5-1/4" N/C
IG	Inside Gasket	3IG, 4IG, 6IG	5-1/4" N/C
IP	Threaded	2IP, 3IP, 4IP, 6IP, 8IP	3-3/4" 114.00
NH	No-Hub	2NH, 3NH, 4NH, 6NH, 8NH	5-1/4" N/C
		6NH (IP w/Z1040)	5-1/4" N/C
NL	Neo-Loc	2NL, 3NL, 4NL	4-5/8" N/C

SUFFIXES		ADD
-AR	Acid Resisting Epoxy Coated Cast Iron	1,164.00
-G	Galvanized Cast Iron	775.00
-HP	Heel-Proof Grate	N/C
-P	Trap Primer Connection	207.00
-S	Secondary Strainer	83.00
-T	Square Top	Z 473.00 ZN 670.00
Ⓢ -TC	Neo-Loc Test Cap Gasket (2", 3", 4" NL Bottom Outlet Only)	36.00
-TS	Top Secured with Slotted Screws	180.00
-TSP	Trap Seal Protection Device (Size Matches Drain Outlet Selected, See Z1072)	POA
-V	Backwater Valve-Ball Float Type (See Z1099)	N/C
-VP	Vandal-Proof Secured Top	206.00

BEST SELLERS		LIST PRICE
Z509-3NL		1,559.00
Z509-3NL-HP		1,559.00
Z509-4NH		1,559.00
Z509-4NL		1,559.00

# Z511 9" HEAVY-DUTY DRAIN



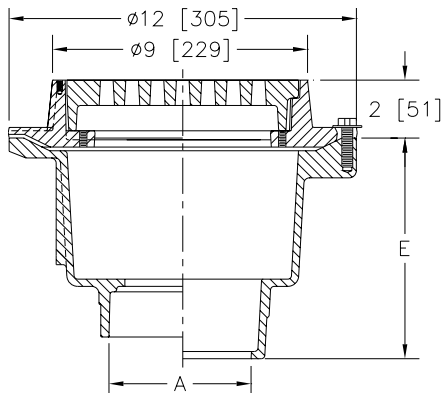
## ENGINEERING SPECIFICATION

Zurn Z511 9" diameter top drain features Dura-Coated cast iron, deep sump body with bottom outlet, seepage pan, and combination membrane flashing clamp and frame for heavy-duty, cast iron, deep flange grate.

### NOTES

†Add 3/16" to 2" dimension and 3/4" to 9" dimension for ZN

A Pipe Size inch [mm]	Grate Open Area sq in [cm <sup>2</sup> ]	Approximate Weight lb [kg]
2 [51], 3 [76], 4 [102]	18 [116]	40 [18]



PREFIXES	DESCRIPTION	PIPE SIZE	LIST PRICE
Z511*	D.C.C.I. Body and Top	2", 3", 4"	1,963.00
ZN511	D.C.C.I. Body Assembly with Polished Nickel Bronze Top	2", 3", 4"	2,696.00

OUTLETS (SPECIFY PIPE SIZE IN INCHES AND TYPE OF OUTLET)				
OUTLET TYPE		PIPE SIZE/ OUTLET TYPE	E BODY HT. DIM.	ADD
IC	Inside Caulk	3IC, 4IC	7-5/8"	N/C
IG	Inside Gasket	3IG, 4IG	7-5/8"	N/C
NL	Neo-Loc	2NL, 3NL, 4NL	6-7/8"	N/C
IP	Threaded	3IP, 4IP	7-5/8"	N/C

SUFFIXES		ADD
-AR	Acid Resisting Epoxy Coated Finish	1,297.00
-BT	Bell Trap	269.00
-DG	Duresist Grate	269.00
-F	Extension Frame - Per Inch (Specify Height)	137.00
-G	Galvanized Cast Iron	770.00
-HP	Heel-Proof Grate	N/C
-J	Auxiliary Inlet Connection (Specify 1-1/2" or 2" IP, Number and Location)	474.00
-P	Trap Primer Connection	207.00
-S	Secondary Strainer	83.00
-SC	Solid Cover w/ Lift Handle	664.00
-SG	Solid Gasketed Cover	796.00
Ⓢ -TC	Neo-Loc Test Cap Gasket (2", 3", 4" NL Bottom Outlet Only)	36.00
-TS	Top Secured with Slotted Screws	180.00
-TSP	Trap Seal Protection Device (Size Matches Drain Outlet Selected, See Z1072)	POA
-V	Backwater Valve-Ball Float Type (Not Available with -Y)	843.00
-VP	Vandal-Proof Secured Top	206.00
-W	Winter Closure Plug (3IC, 4IC, 3IP, 4IP & 3IG Connections Only)	843.00
-Y	Sediment Bucket (Not Available with -V)	269.00

BEST SELLERS	LIST PRICE
Z511-4NL	1,963.00
Z511-4NL-P-TC-Y	2,475.00
Z511-4NL-P-Y	2,439.00
Z511-4NL-Y	2,232.00
ZN511-4NL-AR-P-S-Y	4,552.00

\*Regularly furnished unless otherwise specified.

Items designated as Best Sellers are most specified and are generally in stock for shipment.

Ⓢ This symbol denotes a product that is engineered to reduce installation and rework time.

For additional product information, please visit [www.zurn.com](http://www.zurn.com)  
Patent [zurn.com/patents](http://zurn.com/patents)

INTRO ROOF DRAINS FLOOR DRAINS T, P, BW VALVES INTERCEPTORS CARRIERS HYDRANTS CLEANOUTS WHA SS DRAINS SANI-FLOOR TECH INFO

## Z512 12-1/4" HEAVY-DUTY DRAIN



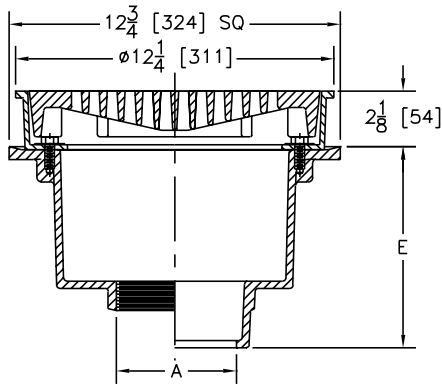
### ENGINEERING SPECIFICATION

Zurn Z512 12-1/4" diameter top drain features Dura-Coated cast iron deep sump body with bottom outlet, seepage pan, and combination flashing clamp and frame for heavy-duty tractor grate.

### NOTES

†Add 3/16" to 2-1/8" dimension and 3/4" to 12-1/4" dimension for ZN

A Pipe Size inch [mm]	Grate Open Area sq in [cm <sup>2</sup> ]	Approximate Weight lb [kg]
3 [76], 4 [102], 6 [152]	30 [194]	44 [20]



PREFIXES	DESCRIPTION	PIPE SIZE	LIST PRICE
Z512*	D.C.C.I. Body and Top	3", 4", 6"	2,012.00
ZN512	D.C.C.I. Body Assembly with Polished Nickel Bronze Top	3", 4", 6"	3,053.00

OUTLETS (SPECIFY PIPE SIZE IN INCHES AND TYPE OF OUTLET)			
OUTLET TYPE	PIPE SIZE/ OUTLET TYPE	E BODY HT. DIM.	ADD
IC	Inside Caulk	4IC, 6IC	7-3/4" N/C
IG	Inside Gasket	4IG, 6IG	7-3/4" N/C
IP	Threaded	4IP, 6IP	6-5/16" 114.00
NL	Neo-Loc	3NL, 4NL	7-1/4" N/C
NH	No-Hub	3NH, 4NH, 6NH	7-13/16" N/C

SUFFIXES			ADD
-AR	Acid Resistant Epoxy Coated Cast Iron		1,059.00
-DG	Duresist Grate		360.00
-G	Galvanized Cast Iron		853.00
-S	Secondary Strainer		88.00
-SS	Stainless Mesh Liner for Bucket		572.00
-T	Square Top	Z	471.00
		ZN	670.00
Ⓢ -TC	Neo-Loc Test Cap Gasket (3", 4" NL Bottom Outlet Only)		36.00
-TS	Top Secured with Slotted Screws		180.00
-VP	Vandal-Proof Secured Top		206.00
-Y	Sediment Bucket		449.00

BEST SELLERS		LIST PRICE
Z512-4NH-Y		2,461.00
Z512-4NL-Y		2,461.00

# Z513 9" SQUARE HINGED HEAVY-DUTY DRAIN



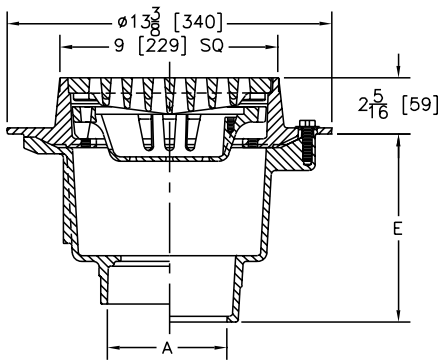
## ENGINEERING SPECIFICATION

Zurn Z513 9" square top drain features Dura-Coated cast iron deep sump body with bottom outlet, seepage pan and combination membrane flashing clamp and frame for hinged, heavy-duty, slotted grate with suspended sediment bucket.

## NOTES

†Add 3/16" to 2-5-/16" dimension and 3/4" to 9" dimension for ZN

A Pipe Size inch [mm]	Grate Open Area sq in [cm <sup>2</sup> ]	Approximate Weight lb [kg]
3 [76], 4 [102]	20 [129]	57 [26]



PREFIXES	DESCRIPTION	PIPE SIZE	LIST PRICE
Z513*	D.C.C.I. Body and Top	3", 4"	2,771.00
ZN513	D.C.C.I. Body Assembly with Polished Nickel Bronze Top	3", 4"	4,116.00

OUTLETS (SPECIFY PIPE SIZE IN INCHES AND TYPE OF OUTLET)			
OUTLET TYPE	PIPE SIZE/ OUTLET TYPE	E BODY HT. DIM.	ADD
NL	Neo-Loc	3NL, 4NL	6-5/8" N/C

SUFFIXES		ADD
-AR	Acid Resisting Epoxy Coated Cast Iron	1,004.00
-G	Galvanized Cast Iron	688.00
-HL	Hinged Locking Grate	432.00
-P	Trap Primer Connection	207.00
-SS	Stainless Steel Mesh Liner for Bucket	285.00
-TC	Neo-Loc Test Cap Gasket (3", 4" NL Bottom Outlet Only)	36.00
-VP	Vandal-Proof Secured Top	206.00

BEST SELLERS		LIST PRICE
ZN513-3NL		4,116.00
ZN513-3NL-P		4,323.00
Z513-4NL		2,771.00

\*Regularly furnished unless otherwise specified.

Items designated as Best Sellers are most specified and are generally in stock for shipment.

⌚ This symbol denotes a product that is engineered to reduce installation and rework time.

For additional product information, please visit [www.zurn.com](http://www.zurn.com)  
Patent [zurn.com/patents](http://zurn.com/patents)

# Z520 9-1/4" ADJUSTABLE HEAVY-DUTY DRAIN



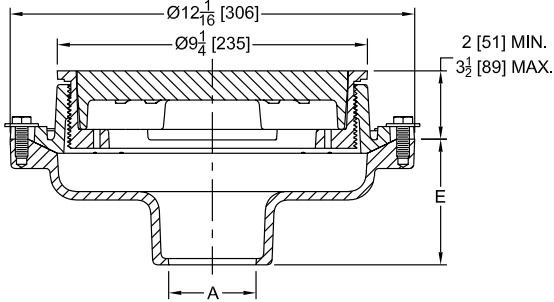
## ENGINEERING SPECIFICATION

Zurn Z520 9-1/4" diameter top drain features Dura-Coated cast iron body with bottom outlet, seepage pan, membrane flashing clamp, and adjustable extension frame with heavy-duty, cast iron, deep flange, slotted grate.

## NOTES

†Add 13/16" to 9-1/4" dimension and 3/16" to 2" to 3-1/2" dimension for ZN

A Pipe Size inch [mm]	Grate Open Area sq in [cm <sup>2</sup> ]	Approximate Weight lb [kg]
2 [51], 3 [76], 4 [102]	15 [97]	33 [15]
6 [152]		38 [17]



PREFIXES	DESCRIPTION	PIPE SIZE	LIST PRICE
<b>Z520*</b>	D.C.C.I. Body and Top	2", 3", 4"	<b>1,133.00</b>
		6"	<b>1,558.00</b>
<b>ZN520</b>	D.C.C.I. Body with Polished Nickel Bronze Top	2", 3", 4"	<b>1,818.00</b>
		6"	<b>2,240.00</b>

OUTLETS (SPECIFY PIPE SIZE IN INCHES AND TYPE OF OUTLET)				
OUTLET TYPE		PIPE SIZE/OUTLET TYPE	E BODY HT. DIM.	ADD
<b>IC</b>	Inside Caulk	4IC	3-3/4"	<b>N/C</b>
<b>IG</b>	Inside Gasket	4IG	3-3/4"	<b>N/C</b>
<b>IP</b>	Threaded	4IP	2-3/4"	<b>114.00</b>
<b>NH</b>	No-Hub	2NH, 3NH, 4NH	4-3/4"	<b>N/C</b>
		6NH	5-1/4"	<b>N/C</b>
<b>NL</b>	Neo-Loc	2NL, 3NL, 4NL	3-9/16"	<b>N/C</b>

SUFFIXES		ADD	
<b>-G</b>	Galvanized Cast Iron	<b>594.00</b>	
<b>-P</b>	Trap Primer Connection	<b>207.00</b>	
<b>-S</b>	Secondary Strainer	<b>67.00</b>	
<b>-SS</b>	Stainless Mesh Liner for Bucket	<b>336.00</b>	
<b>-T</b>	Square Top	Z	<b>447.00</b>
		ZN	<b>556.00</b>

Ⓢ <b>-TC</b>	Neo-Loc Test Cap Gasket (2", 3", 4" NL Bottom Outlet Only)	<b>36.00</b>
<b>-TS</b>	Top Secured with Slotted Screws	<b>180.00</b>
<b>-TSP</b>	Trap Seal Protection Device (Size Matches Drain Outlet Selected, See Z1072)	<b>POA</b>
<b>-V</b>	Backwater Valve (See Z1099)	<b>N/C</b>
<b>-VP</b>	Vandal-Proof Secured Top	<b>206.00</b>
<b>-Y</b>	Sediment Bucket	<b>195.00</b>
<b>-90</b>	90° Side Outlet Body Assembly (See Z1042, 4IP Only)	<b>N/C</b>

BEST SELLERS	LIST PRICE
Z520-3NH-Y	<b>1,328.00</b>
Z520-3NL	<b>1,133.00</b>
Z520-4NH	<b>1,133.00</b>
Z520-4NH-Y	<b>1,328.00</b>
Z520-4NL	<b>1,133.00</b>
Z520-4NL-G-VP	<b>1,933.00</b>
Z520-4NL-P	<b>1,340.00</b>
Z520-4NL-VP	<b>1,339.00</b>
Z520-4NL-Y	<b>1,328.00</b>

## Z521 12-1/4" DIAMETER ADJUSTABLE HEAVY-DUTY DRAIN



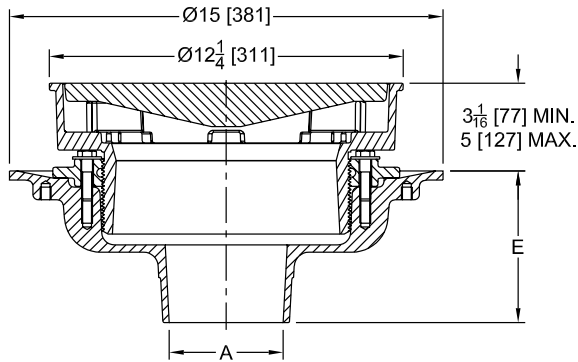
### ENGINEERING SPECIFICATION

Zurn Z521 12-1/4" diameter top drain features Dura-Coated cast iron body with bottom outlet, seepage pan, membrane flashing clamp, and adjustable extension frame with heavy-duty tractor grate.

### NOTES

†Add 11/16" to 12-1/4" dimension and 3/16" to 3-1/16" and 5" dimension for ZN

A Pipe Size inch [mm]	Grate Open Area sq in [cm <sup>2</sup> ]	Approximate Weight lb [kg]
2 [51], 3 [76], 4 [102]	33 [213]	60 [27]
6 [152]		57 [26]
8 [203]		58 [26]



PREFIXES	DESCRIPTION	PIPE SIZE	LIST PRICE
Z521*	D.C.C.I. Body and Top	2", 3", 4", 6", 8"	2,702.00
ZN521	D.C.C.I. Body with Polished Nickel Bronze Top	2", 3", 4", 6", 8"	3,663.00

### OUTLETS (SPECIFY PIPE SIZE IN INCHES AND TYPE OF OUTLET)

OUTLET TYPE	PIPE SIZE/OUTLET TYPE	E BODY HT. DIM.	ADD
IC	Inside Caulk	3IC, 4IC, 6IC	5-1/4" N/C
IG	Inside Gasket	3IG, 4IG, 6IG	5-1/4" N/C
NH	No-Hub	2NH, 3NH, 4NH, 6NH, 8NH	5-1/4" N/C
NL	Neo-Loc	2NL, 3NL, 4NL	4-5/8" N/C

### SUFFIXES

SUFFIXES	DESCRIPTION	ADD
-G	Galvanized Cast Iron	999.00
-S	Secondary Strainer	88.00
-T	Square Top	Z 473.00 ZN 669.00

⌚ -TC	Neo-Loc Test Cap Gasket (2", 3", 4" NL Bottom Outlet Only)	36.00
-TS	Top Secured with Slotted Screws	180.00
-V	Backwater Valve (See Z1099)	N/C
-VP	Vandal-Proof Secured Top	206.00
-Y	Sediment Bucket	334.00

### BEST SELLERS

BEST SELLERS	LIST PRICE
Z521-4IC	2,702.00
Z521-4NH	2,702.00

\*Regularly furnished unless otherwise specified.

Items designated as Best Sellers are most specified and are generally in stock for shipment.

⌚ This symbol denotes a product that is engineered to reduce installation and rework time.

For additional product information, please visit [www.zurn.com](http://www.zurn.com)  
Patent [zurn.com/patents](http://zurn.com/patents)



## Z526 12-1/4" ADJUSTABLE HEAVY-DUTY DRAIN



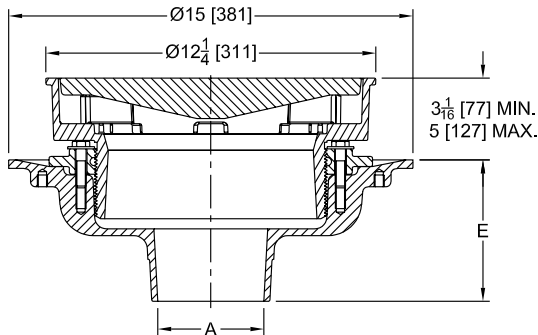
### ENGINEERING SPECIFICATION

Zurn Z526 12-1/4" diameter top drain features Dura-Coated cast iron body with bottom outlet, seepage pan, membrane flashing clamp, and adjustable extension frame with heavy-duty tractor grate.

### NOTES

\*Add 11/16" to 12-1/4" dimension and 3/16" to 3-1/16" and 5" dimension for ZN

A Pipe Size inch [mm]	Grate Open Area sq in [cm <sup>2</sup> ]	Approximate Weight lb [kg]
2 [51], 3 [76], 4 [102]	33 [213]	60 [27]
6 [152]		57 [26]
8 [203]		58 [26]



PREFIXES	DESCRIPTION	PIPE SIZE	LIST PRICE
Z526*	D.C.C.I. Body and Top	2", 3", 4", 6", 8"	2,011.00
ZN526	D.C.C.I. Body with Polished Nickel Bronze Top	2", 3", 4", 6", 8"	2,985.00

OUTLETS (SPECIFY PIPE SIZE IN INCHES AND TYPE OF OUTLET)				
OUTLET TYPE	PIPE SIZE/OUTLET TYPE	E BODY HT. DIM.	ADD	
IC	Inside Caulk	3IC, 4IC, 6IC	5-1/4"	N/C
IG	Inside Gasket	3IG, 4IG, 6IG	5-1/4"	N/C
NH	No-Hub	2NH, 3NH, 4NH, 6NH, 8NH	5-1/4"	N/C
NL	Neo-Loc	2NL, 3NL, 4NL	4-5/8"	N/C
SUFFIXES				
				ADD
-G	Galvanized Cast Iron			885.00
-HP	Heel-Proof Grate			N/C
-S	Secondary Strainer			88.00
-T	Square Top	Z	473.00	
		ZN	669.00	
Ⓢ -TC	Neo-Loc Test Cap Gasket (2", 3", 4" NL Bottom Outlet Only)			36.00
-TS	Top Secured with Slotted Screws			180.00
-V	Backwater Valve (See Z1099)			N/C
-VP	Vandal-Proof Secured Top			206.00
-90	90° Side Outlet Body Assembly (See Z1042)			N/C
-Y	Sediment Bucket			305.00

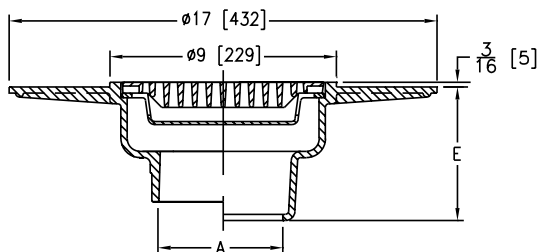
## Z530 9" MEDIUM-DUTY WIDE FLANGE DECK DRAIN



### ENGINEERING SPECIFICATION

Zurn Z530 9" diameter wide flange deck drain for latex decks features Dura-Coated cast iron body with latex troweling flange, flat heel-proof, medium-duty grate, and suspended sediment bucket.

A Pipe Size inch [mm]	Grate Open Area sq in [cm <sup>2</sup> ]	Approximate Weight lb [kg]
2 [51], 3 [76], 4 [102]	18 [116]	49 [22]



PREFIXES	DESCRIPTION	PIPE SIZE	LIST PRICE
Z530*	D.C.C.I. Body and Top	2", 3", 4"	1,250.00

OUTLETS (SPECIFY PIPE SIZE IN INCHES AND TYPE OF OUTLET)				
OUTLET TYPE	PIPE SIZE/OUTLET TYPE	E BODY HT. DIM.	ADD	
IC	Inside Caulk	2IC, 3IC, 4IC	5-1/2"	N/C
IP	Threaded	2IP, 3IP, 4IP	4"	114.00
NL	Neo-Loc	2NL, 3NL, 4NL	4-3/4"	N/C
SUFFIXES				
				ADD
-AR	Acid Resisting Epoxy Coated Cast Iron			1,046.00
-C	Underdeck Clamp			314.00
-DG	Duresist Grate			300.00
-G	Galvanized Cast Iron			931.00
Ⓢ -TC	Neo-Loc Test Cap Gasket (2", 3", 4" NL Bottom Outlet Only)			36.00
-TS	Top Secured with Slotted Screws			180.00
-VP	Vandal-Proof Secured Top			206.00
-XJ	Expansion Joint (Use with IP Type Outlet) (See Z190)			-
BEST SELLER				LIST PRICE
Z530-3NL				1,250.00

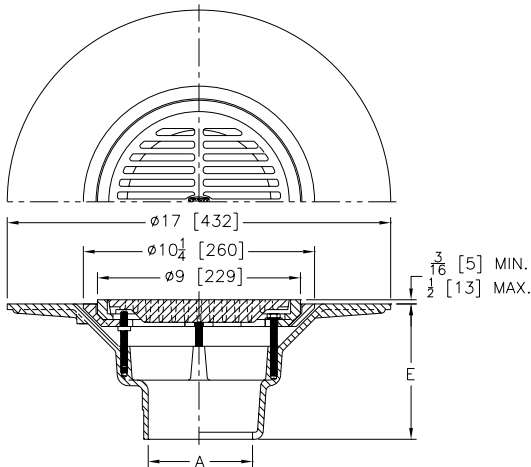
## Z531 9" ADJUSTABLE FRAME WIDE FLANGE MEDIUM-DUTY DECK DRAIN



### ENGINEERING SPECIFICATION

Zurn Z531 9" diameter adjustable frame wide flange deck drain features Dura-Coated cast iron body with 10-1/4" diameter latex troweling flange and combination adjustable latex troweling-edge-form and membrane flashing clamp with flat medium-duty grate.

A Pipe Size inch [mm]	Grate Open Area sq in [cm <sup>2</sup> ]	Approximate Weight lb [kg]
2 [51], 3 [76], 4 [102]	18 [116]	54 [24]



PREFIXES	DESCRIPTION	PIPE SIZE	LIST PRICE
Z531*	D.C.C.I. Body and Top	2", 3", 4"	2,020.00
ZN531	D.C.C.I. Body with Polished Nickel Bronze Top	2", 3", 4"	2,742.00

OUTLETS (SPECIFY PIPE SIZE IN INCHES AND TYPE OF OUTLET)				
OUTLET TYPE		PIPE SIZE/OUTLET TYPE	E BODY HT. DIM.	ADD
IC	Inside Caulk	2IC, 3IC	6"	N/C
IP	Threaded	2IP, 3IP, 4IP	4-1/2"	114.00
NH	No-Hub	2NH, 3NH, 4NH	6"	N/C
NL	Neo-Loc	2NL, 3NL, 4NL	5-3/8"	N/C

SUFFIXES		ADD
-C	Underdeck Clamp	228.00
-DG	Duresist Grate	236.00
-G	Galvanized Cast Iron	963.00
-S	Secondary Strainer	67.00
Ⓢ -TC	Neo-Loc Test Cap Gasket (2", 3", 4" NL Bottom Outlet Only)	36.00
-TS	Top Secured with Slotted Screws	180.00
-VP	Vandal-Proof Secured Top	206.00
-Y	Sediment Bucket	195.00

BEST SELLERS	LIST PRICE
Z531-3NH	2,020.00
ZN531-3NH-TS	2,922.00
Z531-4NH	2,020.00

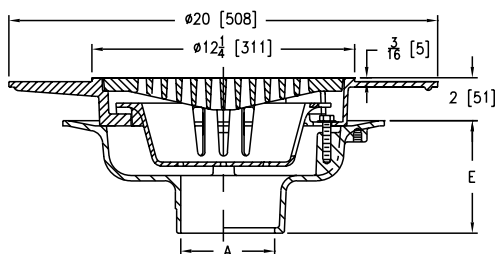
## Z532 12-1/4" DIAMETER WIDE FLANGE HEAVY-DUTY FLOOR DRAIN



### ENGINEERING SPECIFICATION

Zurn Z532 12-1/4" diameter wide flange floor drain features Dura-Coated cast iron body with bottom outlet, seepage pan, combination membrane flashing clamp, and frame with latex troweling flange, heavy-duty slotted grate, and suspended sediment bucket.

A Pipe Size inch [mm]	Grate Open Area sq in [cm <sup>2</sup> ]	Approximate Weight lb [kg]
2 [51], 3 [76], 4 [102], 6 [152]	30 [194]	54 [24]



PREFIXES	DESCRIPTION	PIPE SIZE	LIST PRICE
Z532*	D.C.C.I. Body and Top	2", 3", 4", 6"	2,907.00
ZN532	D.C.C.I. Body with Polished Nickel Bronze Top	2", 3", 4", 6"	3,943.00

OUTLETS (SPECIFY PIPE SIZE IN INCHES AND TYPE OF OUTLET)				
OUTLET TYPE		PIPE SIZE/OUTLET TYPE	E BODY HT. DIM.	ADD
IC	Inside Caulk	3IC, 4IC, 6IC	5-1/4"	N/C
IG	Inside Gasket	3IG, 4IG, 6IG	5-1/4"	N/C
NH	No-Hub	2NH, 3NH, 4NH, 6NH	5-1/4"	N/C
NL	Neo-Loc	2NL, 3NL, 4NL	4-1/2"	N/C

SUFFIXES		ADD
-AR	Acid Resistant Epoxy Coating	1,678.00
-G	Galvanized Cast Iron	1,246.00
-HP	Heel-Proof Grate	N/C
Ⓢ -TC	Neo-Loc Test Cap Gasket (2", 3", 4" NL Bottom Outlet Only)	36.00
-TS	Top Secured with Slotted Screws	180.00
-VP	Vandal-Proof Secured Top	206.00

BEST SELLERS	LIST PRICE
Z532-3NH	2,907.00
Z532-4NH	2,907.00

\*Regularly furnished unless otherwise specified.

Items designated as Best Sellers are most specified and are generally in stock for shipment.

Ⓢ This symbol denotes a product that is engineered to reduce installation and rework time.

For additional product information, please visit [www.zurn.com](http://www.zurn.com)

Patent [zurn.com/patents](http://zurn.com/patents)

## Z533 9" DIAMETER HEAVY-DUTY PARKING DECK DRAIN WITH SUPPORT FLANGE



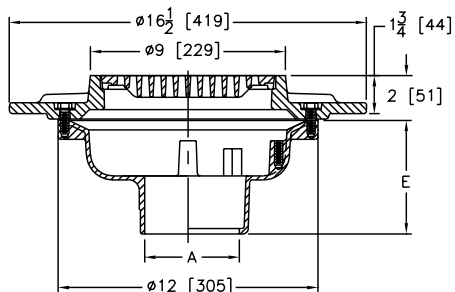
### ENGINEERING SPECIFICATION

Zurn Z533 9" diameter parking deck drain features Dura-Coated cast iron body with bottom outlet, heavy-duty, gasketed drain support flange with heavy-duty Duresist, slotted grate.

### NOTES

†Add 3/16" to 2" dimension for ZN

A Pipe Size inch [mm]	Grate Open Area sq in [cm <sup>2</sup> ]	Approximate Weight lb [kg]
3 [76], 4 [102]	16 [103]	48 [22]



PREFIXES	DESCRIPTION	PIPE SIZE	LIST PRICE
Z533*	D.C.C.I. Body and Top	3", 4"	1,755.00
ZN533	D.C.C.I. Body with Polished Nickel Bronze Top	3", 4"	2,536.00

OUTLETS (SPECIFY PIPE SIZE IN INCHES AND TYPE OF OUTLET)			
OUTLET TYPE	PIPE SIZE/OUTLET TYPE	E BODY HT. DIM.	ADD
NH	No-Hub	3NH, 4NH	5-1/4" N/C
NL	Neo-Loc	3NL, 4NL	4-9/16" N/C

SUFFIXES			ADD
-C	Underdeck Clamp		207.00
-G	Galvanized Cast Iron		1,015.00
-TS	Top Secured with Slotted Screws		180.00
-VP	Vandal-Proof Secured Top		206.00
-Y	Sediment Bucket		195.00

BEST SELLERS		LIST PRICE
Z533-3NH		1,755.00
Z533-3NL		1,755.00
Z533-4NH		1,755.00
Z533-4NH-C		1,962.00
Z533-4NH-C-VP		2,168.00
Z533-4NH-VP		1,961.00
Z533-4NL		1,755.00

## Z534 12-1/4" DIAMETER HEAVY-DUTY PARKING DECK DRAIN WITH SUPPORT FLANGE



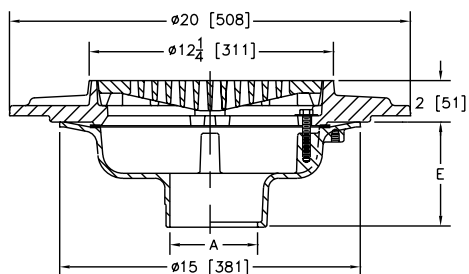
### ENGINEERING SPECIFICATION

Zurn Z534 12-1/4" diameter parking deck drain features Dura-Coated cast iron body with bottom outlet, heavy-duty, gasketed drain support flange with heavy-duty, slotted grate.

### NOTES

†Add 3/16" to 2" dimension and 3/4" to 12-1/4" dimension for ZB and ZN

A Pipe Size inch [mm]	Grate Open Area sq in [cm <sup>2</sup> ]	Approximate Weight lb [kg]
2 [51], 3 [76], 4 [102], 6 [152]	30 [194]	78 [35]
8 [203]		80 [36]



PREFIXES	DESCRIPTION	PIPE SIZE	LIST PRICE
Z534*	D.C.C.I. Body and Top	2", 3", 4", 6" 8"	3,447.00 3,856.00
ZN534	D.C.C.I. Body with Polished Nickel Bronze Top	2", 3", 4", 6" 8"	5,223.00 5,642.00

OUTLETS (SPECIFY PIPE SIZE IN INCHES AND TYPE OF OUTLET)			
OUTLET TYPE	PIPE SIZE/OUTLET TYPE	E BODY HT. DIM.	ADD
IC	Inside Caulk	3IC, 4IC, 6IC	5-1/4" N/C
IG	Inside Gasket	3IG, 4IG, 6IG	5-1/4" N/C
IP	Threaded	2IP, 3IP, 4IP, 6IP, 8IP	3-3/4" 114.00
NH	No-Hub	2NH, 3NH, 4NH, 6NH, 8NH	5-1/4" N/C
NL	Neo-Loc	2NL, 3NL, 4NL	4-5/8" N/C

SUFFIXES			ADD
-C	Underdeck Clamp		336.00
-G	Galvanized Cast Iron		1,495.00
-HP	Heel-Proof Grate		N/C
Ⓞ -SA	Stabilizer Assembly (See Z1036)		204.00
Ⓞ -TC	Neo-Loc Test Cap Gasket (2", 3", 4" NL Bottom Outlet Only)		36.00
-TS	Top Secured with Slotted Screws		180.00
-VP	Vandal-Proof Secured Top		206.00
-XJ	Expansion Joint (Use with IP Type Outlet) (See Z190)		-
-Y	Sediment Bucket		285.00

BEST SELLERS	LIST PRICE
Z534-4NH	3,447.00
Z534-4NH-C	3,783.00
Z534-4NH-C-HP-TS	3,963.00
Z534-4NH-C-HP-Y	4,068.00
Z534-4NH-C-Y	4,068.00
Z534-4NH-HP-SA-Y	3,936.00
Z534-4NH-HP-TS-Y	3,912.00
Z534-4NH-HP-Y	3,732.00

BEST SELLERS	LIST PRICE
Z534-4NH-VP	3,653.00
Z534-4NL	3,447.00
Z534-4NL-C	3,783.00
ZN534-4NL	5,223.00
Z534-6NH	3,447.00
Z534-6NH-HP-TS	3,627.00
Z534-6NH-VP-Y	3,938.00
Z534-8NH	3,856.00

For additional product information, please visit [www.zurn.com](http://www.zurn.com)  
Patent [zurn.com/patents](http://zurn.com/patents)

\*Regularly furnished unless otherwise specified.

Items designated as Best Sellers are most specified and are generally in stock for shipment.

Ⓞ This symbol denotes a product that is engineered to reduce installation and rework time.

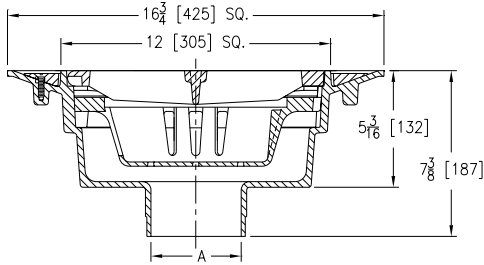
## Z535 HEAVY-DUTY PARKING STRUCTURE DRAIN



### ENGINEERING SPECIFICATION

Zurn Z535 square top, heavy-duty drain features oven-cured acid resistant epoxy-coated aluminum or cast iron body with bottom outlet, top membrane clamping collar, anti-ponding slots, sediment bucket and heavy-duty, anti-tilt, hinged, slotted grate with stainless steel hinge pins.

A Pipe Size inch [mm]	Grate Open Area sq in [cm <sup>2</sup> ]	Approximate Weight lb [kg]
3 [76], 4 [102], 6 [152], 8 [203]	56 [361]	29 [13] for aluminum, 75 [34] for cast iron



PREFIXES	DESCRIPTION	PIPE SIZE	LIST PRICE
Z535*	A.R.C. Aluminum Body and Top	3", 4", 6", 8"	5,553.00
ZC535	D.C.C.I. Body and Top	3", 4", 6", 8"	5,553.00

OUTLETS (SPECIFY PIPE SIZE IN INCHES AND TYPE OF OUTLET)			
OUTLET TYPE	PIPE SIZE/OUTLET TYPE	ADD	
NH	No-Hub	3NH, 4NH, 6NH, 8NH	N/C
SUFFIXES			ADD

-CI	Cast Iron Grate	635.00
-G	Galvanized Cast Iron (For ZC option only)	1,495.00
-L	Locking Device	193.00

BEST SELLERS	LIST PRICE
Z535-3NH	5,553.00
Z535-4NH	5,553.00
Z535-6NH	5,553.00

## Z536 15-3/8" DIAMETER HEAVY-DUTY PARKING DECK DRAIN WITH SUPPORT FLANGE



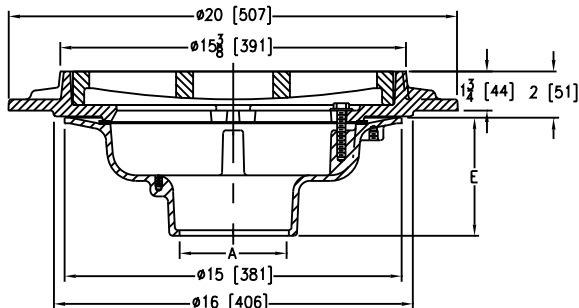
### ENGINEERING SPECIFICATION

Zurn Z536 15-3/8" diameter parking deck drain features Dura-Coated cast iron body with bottom outlet, heavy-duty, gasketed drain support flange with heavy-duty, slotted grate.

### NOTES

†Add 3/16" to 2" dimension for ZN

A Pipe Size inch [mm]	Grate Open Area sq in [cm <sup>2</sup> ]	Approximate Weight lb [kg]
3 [76], 4 [102], 6 [152]	56 [361]	95 [43]
8 [203]		97 [44]



PREFIXES	DESCRIPTION	PIPE SIZE	LIST PRICE
Z536*	D.C.C.I. Body and Top	3", 4", 6" 8"	4,296.00 4,815.00
ZN536	D.C.C.I. Body with Polished Nickel Bronze Top	3", 4", 6" 8"	5,527.00 6,044.00

OUTLETS (SPECIFY PIPE SIZE IN INCHES AND TYPE OF OUTLET)			
OUTLET TYPE	PIPE SIZE/OUTLET TYPE	E BODY HT. DIM.	ADD
IP	Threaded	4IP	3-3/4" 114.00
NH	No-Hub	3NH, 4NH, 6NH, 8NH	5-1/4" N/C
NL	Neo-Loc	3NL, 4NL	4-5/8" N/C

SUFFIXES			ADD
-C	Underdeck Clamp		336.00
-G	Galvanized Cast Iron		1,495.00
-VP	Vandal-Proof Secured Top		206.00
-Y	Sediment Bucket		432.00

BEST SELLERS	LIST PRICE
Z536-3NL-C	4,632.00
Z536-4NH	4,296.00
Z536-4NH-C-VP-Y	5,270.00
Z536-4NH-VP-Y	4,934.00
Z536-4NH-Y	4,728.00
Z536-4NL	4,296.00
Z536-4NL-G	5,791.00
Z536-4NL-Y	4,728.00
Z536-6NH	4,296.00
Z536-6NH-G-VP	5,997.00
Z536-6NH-VP	4,502.00
Z536-6NH-Y	4,728.00
Z536-6NL-G-VP	5,997.00
Z536-8NH	4,815.00
Z536-8NH-Y	5,247.00

\*Regularly furnished unless otherwise specified.

Items designated as Best Sellers are most specified and are generally in stock for shipment.

⌚ This symbol denotes a product that is engineered to reduce installation and rework time.

For additional product information, please visit [www.zurn.com](http://www.zurn.com)

Patent [zurn.com/patents](http://zurn.com/patents)

## Z537 15-7/8" SQUARE TOP HEAVY-DUTY PARKING DECK DRAIN WITH SUPPORT FLANGE



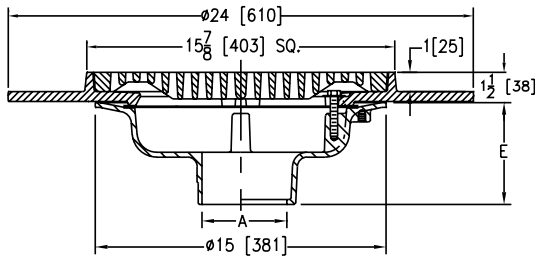
### ENGINEERING SPECIFICATION

Zurn Z537 15-7/8" square top parking deck drain features Dura-Coated cast iron body with bottom outlet, heavy-duty, gasketed drain support flange with heavy-duty, slotted ductile iron grate.

### NOTES

†Add 3/16" to 1-1/2" dimension for ZN

A Pipe Size inch [mm]	Grate Open Area sq in [cm <sup>2</sup> ]	Approximate Weight lb [kg]
2 [51], 3 [76], 4 [102], 6 [152]	79 [510]	122 [55]
8 [203]		124 [56]



BEST SELLERS	LIST PRICE
Z537-3NH	4,521.00
Z537-3NH-C	4,857.00
Z537-4NH	4,521.00
Z537-4NH-C	4,857.00
Z537-4NH-C-VP-Y	5,495.00

PREFIXES	DESCRIPTION	PIPE SIZE	LIST PRICE
Z537*	D.C.C.I. Body and Top	2", 3", 4", 6"	4,521.00
		8"	5,032.00
ZN537	D.C.C.I. Body with Polished Nickel Bronze Top	2", 3", 4", 6"	5,527.00
		8"	6,044.00

OUTLETS (SPECIFY PIPE SIZE IN INCHES AND TYPE OF OUTLET)			
OUTLET TYPE	PIPE SIZE/OUTLET TYPE	E BODY HT. DIM.	ADD
IP	Threaded	3IP, 4IP, 6IP, 8IP	3-3/4" 114.00
NH	No-Hub	3NH, 4NH, 6NH, 8NH	5-1/4" N/C
NL	Neo-Loc	2NL, 3NL, 4NL	4-5/8" N/C
SUFFIXES			ADD
-C	Underdeck Clamp		336.00
-G	Galvanized Cast Iron		1,495.00
-VP	Vandal-Proof Secured Top		206.00
-Y	Sediment Bucket		432.00

BEST SELLERS	LIST PRICE
Z537-4NH-VP	4,727.00
Z537-4NH-VP-Y	5,159.00
Z537-4NH-Y	4,953.00
Z537-4NL	4,521.00
Z537-6NH	4,521.00
Z537-6NH-C	4,857.00
Z537-6NH-C-G-VP-Y	6,990.00
Z537-6NH-C-VP-Y	5,495.00
Z537-6NH-C-Y	5,289.00
Z537-6NL	4,521.00
Z537-8NH	5,032.00

## Z539 12-1/4" HEAVY-DUTY DRAIN WITH DEEP SUMP



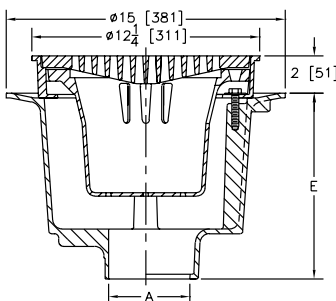
### ENGINEERING SPECIFICATION

Zurn Z539 12-1/4" diameter top drain features Dura-Coated cast iron deep sump body with bottom outlet, seepage pan, and combination membrane flashing clamp and frame for sediment bucket and heavy-duty, slotted grate.

### NOTES

†Add 3/16" to 2" dimension and 3/4" to 12-1/4" dimension for ZN

A Pipe Size inch [mm]	Grate Open Area sq in [cm <sup>2</sup> ]	Approximate Weight lb [kg]
3 [76], 4 [102], 6 [152]	30 [194]	68 [31]
8 [203]		



PREFIXES	DESCRIPTION	PIPE SIZE	LIST PRICE
Z539*	D.C.C.I. Body and Top	3", 4", 6"	2,575.00
		8"	3,006.00
ZN539	D.C.C.I. Body with Polished Nickel Bronze Top	3", 4", 6"	3,701.00
		8"	4,130.00

OUTLETS (SPECIFY PIPE SIZE IN INCHES AND TYPE OF OUTLET)			
OUTLET TYPE	PIPE SIZE/OUTLET TYPE	E BODY HT. DIM.	ADD
NH	No-Hub	3NH, 4NH, 6NH, 8NH	10" N/C
NL	Neo-Loc	3NL, 4NL	9-5/16" N/C
SUFFIXES			ADD
-G	Galvanized Cast Iron		1,658.00
-HP	Heel-Proof Grate		N/C
-SS	Stainless Steel Mesh Liner for Bucket		566.00
-T	Square Top	Z	473.00
		ZN	670.00
-TC	Neo-Loc Test Cap Gasket (3", 4" NL Bottom Outlet Only)		36.00
-TS	Top Secured with Slotted Screws		180.00
-VP	Vandal-Proof Secured Top		206.00
-YF	Free Standing Bucket		N/C

BEST SELLERS	LIST PRICE
Z539-4NH	2,575.00
ZN539-4NH-T	4,371.00

# Z540 12-1/4" MEDIUM-DUTY DRAIN WITH SUR-SET BUCKET



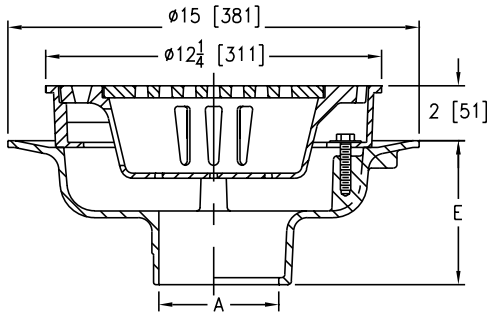
## ENGINEERING SPECIFICATION

Zurn Z540 12-1/4" diameter top drain features Dura-Coated cast iron body with bottom outlet, seepage pan, and combination membrane flashing clamp and frame with integrated trap primer and plug with Sur-Set bucket and medium-duty, slotted, Duresist grate.

## NOTES

†Add 3/16" to 2" dimension and 3/4" to 12-1/4" dimension for ZN

A Pipe Size inch [mm]	Grate Open Area sq in [cm <sup>2</sup> ]	Approximate Weight lb [kg]
2 [51], 3 [76], 4 [102]	18 [116]	44 [20]
6 [152]		45 [20]
8 [203]		46 [21]



PREFIXES	DESCRIPTION	PIPE SIZE	LIST PRICE
<b>Z540*</b>	D.C.C.I. Body and Top	2", 3", 4", 6"	<b>2,054.00</b>
		8"	<b>2,473.00</b>
<b>ZN540</b>	D.C.C.I. Body with Polished Nickel Bronze Top	2", 3", 4", 6"	<b>3,037.00</b>
		8"	<b>3,450.00</b>

OUTLETS (SPECIFY PIPE SIZE IN INCHES AND TYPE OF OUTLET)				
OUTLET TYPE		PIPE SIZE/OUTLET TYPE	E BODY HT. DIM.	ADD
<b>IC</b>	Inside Caulk	3IC, 4IC, 6IC	5-1/4"	<b>N/C</b>
<b>IG</b>	Inside Gasket	3IG, 4IG, 6IG	5-1/4"	<b>N/C</b>
<b>NH</b>	No-Hub	2NH, 3NH, 4NH, 6NH, 8NH	5-1/4"	<b>N/C</b>
<b>NL</b>	Neo-Loc	2NL, 3NL, 4NL	4-5/8"	<b>N/C</b>

SUFFIXES			ADD
<b>-G</b>	Galvanized Cast Iron		<b>1,310.00</b>
Ⓢ <b>-SA</b>	Stabilizer Assembly (See Z1036)		<b>204.00</b>
Ⓢ <b>-TC</b>	Neo-Loc Test Cap Gasket (2", 3", 4" NL Bottom Outlet Only)		<b>36.00</b>
<b>-TS</b>	Top Secured with Slotted Screws		<b>180.00</b>
<b>-VP</b>	Vandal-Proof Secured Top		<b>206.00</b>

BEST SELLERS		LIST PRICE
Z540-3NH		<b>2,054.00</b>
Z540-3NL		<b>2,054.00</b>
Z540-4NH		<b>2,054.00</b>
Z540-4NL		<b>2,054.00</b>

\*Regularly furnished unless otherwise specified.

Items designated as Best Sellers are most specified and are generally in stock for shipment.

Ⓢ This symbol denotes a product that is engineered to reduce installation and rework time.

For additional product information, please visit [www.zurn.com](http://www.zurn.com)

Patent [zurn.com/patents](http://zurn.com/patents)

INTRO  
ROOF DRAINS  
FLOOR DRAINS  
I, P, BW VALVES  
INTERCEPTORS  
CARRIERS  
HYDRANTS  
CLEANOUTS  
WHA  
SS DRAINS  
SANI-FLOOR  
TECH INFO

# Z541 12-1/4" DIAMETER HEAVY-DUTY DRAIN



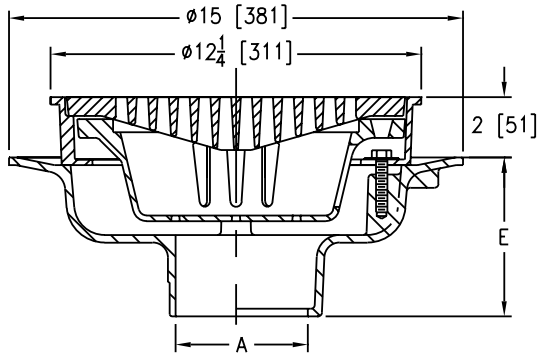
## ENGINEERING SPECIFICATION

Zurn Z541 12-1/4" diameter top drain features Dura-Coated cast iron body with bottom outlet, seepage pan, and combination membrane flashing clamp and frame with integrated trap primer and plug, with anti-tilt, heavy-duty, slotted, Duresist grate and suspended polypropylene sediment bucket.

## NOTES

†Add 3/16" to 2" dimension and 3/4" to 12-1/4" dimension for ZN

A Pipe Size inch [mm]	Grate Open Area sq in [cm <sup>2</sup> ]	Approximate Weight lb [kg]
2 [51], 3 [76], 4 [102]	30 [194]	51 [23]
6 [152]		52 [24]
8 [203]		53 [24]



PREFIXES	DESCRIPTION	PIPE SIZE	LIST PRICE
Z541*	D.C.C.I. Body and Top	2", 3", 4", 6"	2,054.00
		8"	2,473.00
ZN541	D.C.C.I. Body with Polished Nickel Bronze Top	2", 3", 4", 6"	3,037.00
		8"	3,450.00

OUTLETS (SPECIFY PIPE SIZE IN INCHES AND TYPE OF OUTLET)				
OUTLET TYPE		PIPE SIZE/OUTLET TYPE	E BODY HT. DIM.	ADD
IC	Inside Caulk	3IC, 4IC, 6IC	5-1/4"	N/C
IG	Inside Gasket	3IG, 4IG, 6IG	5-1/4"	N/C
IP	Threaded	2IP, 3IP, 4IP, 6IP, 8IP	3-3/4"	119.00
NH	No-Hub	2NH, 3NH, 4NH, 6NH, 8NH	5-1/4"	N/C
NL	Neo-Loc	2NL, 3NL, 4NL	4-5/8"	N/C
		6NL	5-7/16"	N/C

SUFFIXES			ADD
-AR	Acid Resisting Epoxy Coated Cast Iron		1,502.00
-DX	Dex-O-Tex Flange		758.00
-G	Galvanized Cast Iron		1,310.00
-H	Hinged Grate		334.00
-HP	Heel-Proof Grate		N/C
-S	Secondary Strainer		137.00
Ⓢ -SA	Stabilizer Assembly (See Z1036)		204.00
-SS	Stainless Steel Mesh Liner for Bucket		572.00
Ⓢ -TC	Neo-Loc Test Cap Gasket (2", 3", 4" NL Bottom Outlet Only)		36.00
-TG	Tractor Grate		355.00
-TS	Top Secured with Slotted Screws		180.00
-V	Backwater Valve (See Z1099)		N/C
-VP	Vandal-Proof Secured Top		206.00
-YC	Cast Iron Sediment Bucket		375.00
-90	90° Threaded Side Outlet Body Assembly (2" thru 6")		500.00

DEDUCT		
-LY	Less Sediment Bucket	(446.00)

BEST SELLERS		LIST PRICE
Z541-3NH		2,054.00
ZN541-3NH		3,037.00
Z541-3NL		2,054.00
Z541-4IP		2,173.00
Z541-4NH		2,054.00
Z541-4NH-TG		2,409.00
ZN541-4NH		3,037.00
Z541-4NL		2,054.00
Z541-4NL-HP		2,054.00
Z541-4NL-VP		2,260.00
ZN541-4NL		3,037.00
Z541-6NH		2,054.00
Z541-6NL		2,054.00

# Z545 16" DIAMETER HEAVY-DUTY DRAIN



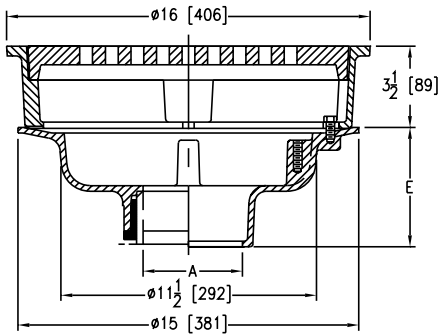
## ENGINEERING SPECIFICATION

Zurn Z545 16" diameter top drain features Dura-Coated cast iron body with bottom outlet, seepage pan, and combination membrane flashing clamp and frame for heavy-duty cast iron, slotted grate.

## NOTES

\*Add 3/16" to 3-1/2" dimension for ZN

A Pipe Size inch [mm]	Grate Open Area sq in [cm <sup>2</sup> ]	Approximate Weight lb [kg]
2 [51], 3 [76], 4 [102], 6 [152]	45 [290]	69 [31]
8 [203]		71 [32]



PREFIXES	DESCRIPTION	PIPE SIZE	LIST PRICE
Z545*	D.C.C.I. Body and Top	2", 3", 4", 6", 8"	3,454.00
ZN545	D.C.C.I. Body with Polished Nickel Bronze Top	2", 3", 4", 6", 8"	7,277.00

OUTLETS (SPECIFY PIPE SIZE IN INCHES AND TYPE OF OUTLET)				
OUTLET TYPE		PIPE SIZE/OUTLET TYPE	E BODY HT. DIM.	ADD
IC	Inside Caulk	3IC, 4IC	5-1/4"	N/C
IG	Inside Gasket	3IG, 4IG	5-1/4"	N/C
IP	Threaded	2IP, 3IP, 4IP, 6IP, 8IP	3-3/4"	114.00
NH	No-Hub	2NH, 3NH, 4NH, 6NH, 8NH	5-1/4"	N/C
NL	Neo-Loc	2NL, 3NL, 4NL	4-5/8"	N/C

SUFFIXES			ADD
-DG	Duresist Grate		898.00
-G	Galvanized Cast Iron		1,806.00
-P	Trap Primer Connection		207.00
-TC	Neo-Loc Test Cap Gasket (2", 3", 4" NL Bottom Outlet Only)		36.00
-VP	Vandal-Proof Secured Top		285.00

BEST SELLERS		LIST PRICE
Z545-3NH		3,454.00
Z545-4NL		3,454.00

\*Regularly furnished unless otherwise specified.

Items designated as Best Sellers are most specified and are generally in stock for shipment.

⌚ This symbol denotes a product that is engineered to reduce installation and rework time.

For additional product information, please visit [www.zurn.com](http://www.zurn.com)

Patent [zurn.com/patents](http://zurn.com/patents)



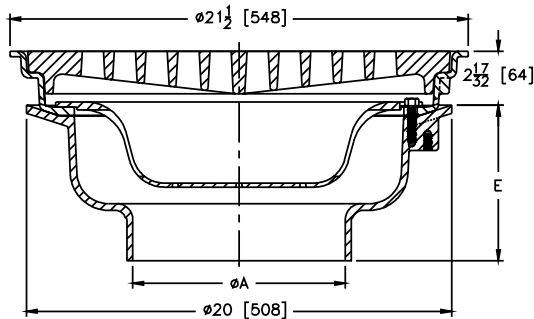
## Z546 21-1/2" DIAMETER EXTRA HEAVY-DUTY DRAIN



### ENGINEERING SPECIFICATION

Zurn Z546 21-1/2" diameter top drain features Dura-Coated cast iron body with bottom outlet, seepage pan, and combination membrane flashing clamp and frame with seepage holes, extra heavy-duty, cast iron, slotted grate with suspended sediment bucket.

A Pipe Size inch [mm]	Grate Open Area sq in [cm <sup>2</sup> ]	Approximate Weight lb [kg]
8 [203]	110 [710]	163 [74]
10 [254]		
12 [305]		



PREFIXES	DESCRIPTION	PIPE SIZE	LIST PRICE
Z546*	D.C.C.I. Body and Top	8"	3,627.00
		10"	3,764.00
		12"	3,943.00

OUTLETS (SPECIFY PIPE SIZE IN INCHES AND TYPE OF OUTLET)			
OUTLET TYPE	PIPE SIZE/OUTLET TYPE	E BODY HT. DIM.	ADD
NH	No-Hub	8NH, 10NH, 12NH	7-5/16" N/C
SUFFIXES			
-F Extension Frame - 1"-4" (Specify Height)			D.C. 1,355.00
			Galv. 2,045.00
-G Galvanized Cast Iron			1,806.00
-TS Top Secured with Slotted Screws			291.00
-VP Vandal-Proof Secured Top			324.00
BEST SELLER			LIST PRICE
Z546-12NH-F4			5,298.00

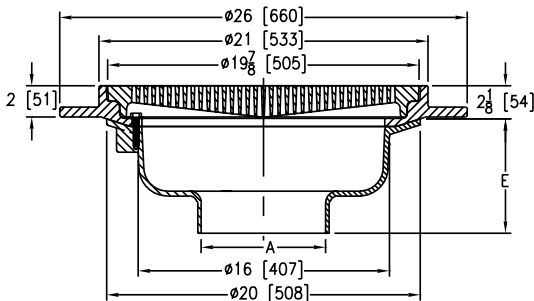
## Z547 21" DIAMETER EXTRA HEAVY-DUTY HEEL-PROOF PARKING DECK DRAIN WITH SUPPORT FLANGE



### ENGINEERING SPECIFICATION

Zurn Z547 21" diameter parking deck drain features Dura-Coated cast iron body with bottom outlet, combination membrane flashing clamp with support flange, and extra heavy-duty, heel-proof, slotted grate.

A Pipe Size inch [mm]	Grate Open Area sq in [cm <sup>2</sup> ]	Approximate Weight lb [kg]
8 [203]	112 [723]	163 [74]
10 [254]		
12 [305]		



PREFIXES	DESCRIPTION	PIPE SIZE	LIST PRICE
Z547*	D.C.C.I. Body and Flange (with Duresist Grate)	8"	4,349.00
		10"	4,513.00
		12"	4,729.00

OUTLETS (SPECIFY PIPE SIZE IN INCHES AND TYPE OF OUTLET)			
OUTLET TYPE	PIPE SIZE/OUTLET TYPE	E BODY HT. DIM.	ADD
NH	No-Hub	8NH, 10NH, 12NH	7-5/16" N/C
SUFFIXES			
-G Galvanized Cast Iron			1,733.00
-TS Top Secured with Slotted Screws			278.00
-VP Vandal-Proof Secured top			314.00
BEST SELLER			LIST PRICE
Z547-8NH			4,349.00

## Z550 9" DIAMETER MEDIUM-DUTY DRAIN



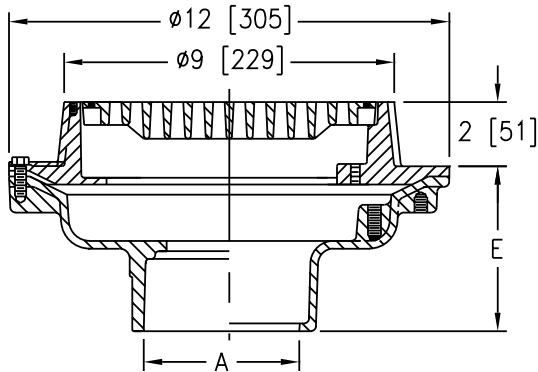
### ENGINEERING SPECIFICATION

Zurn Z550 9" diameter top drain features Dura-Coated cast iron body with bottom outlet, seepage pan, and combination membrane flashing clamp and frame for medium-duty cast iron, heel-proof, slotted, Duresist grate.

### NOTES

†Add 3/16" to 2" dimension and 3/4" to 9" dimension for ZN

A Pipe Size inch [mm]	Grate Open Area sq in [cm <sup>2</sup> ]	Approximate Weight lb [kg]
2 [51], 3 [76], 4 [102]	18 [116]	28 [13]
6 [152]		30 [14]



PREFIXES	DESCRIPTION	PIPE SIZE	LIST PRICE
<b>Z550*</b>	D.C.C.I. Body and Top	2", 3", 4"	<b>699.00</b>
		6"	<b>886.00</b>
<b>ZN550</b>	D.C.C.I. Body with Polished Nickel Bronze Top	2", 3", 4"	<b>1,430.00</b>
		6"	<b>1,615.00</b>

OUTLETS (SPECIFY PIPE SIZE IN INCHES AND TYPE OF OUTLET)				
OUTLET TYPE		PIPE SIZE/OUTLET TYPE	E BODY HT. DIM.	ADD
<b>IC</b>	Inside Caulk	3IC, 4IC	3-3/4"	<b>N/C</b>
<b>IG</b>	Inside Gasket	3IG, 4IG	3-3/4"	<b>N/C</b>
<b>IP</b>	Threaded	3IP, 4IP	2-3/4"	<b>114.00</b>
<b>NH</b>	No-Hub	2NH, 3NH, 4NH	4-3/4"	<b>N/C</b>
		6NH	5-1/4"	<b>N/C</b>
<b>NL</b>	Neo-Loc	2NL, 3NL, 4NL	3-1/2"	<b>N/C</b>

SUFFIXES		ADD	
<b>-AR</b>	Acid Resisting Epoxy Coated Cast Iron	<b>688.00</b>	
<b>-D</b>	Dome Grate	Z	<b>119.00</b>
		ZN	<b>506.00</b>
<b>-G</b>	Galvanized Cast Iron	<b>588.00</b>	
<b>-P</b>	Trap Primer Connection	<b>207.00</b>	
<b>-S</b>	Secondary Strainer	<b>67.00</b>	
<b>-SS</b>	Stainless Mesh Liner for Bucket	<b>401.00</b>	
Ⓢ <b>-TC</b>	Neo-Loc Test Cap Gasket (2", 3", 4" NL Bottom Outlet Only)	<b>36.00</b>	
<b>-TG</b>	Tractor Grate	<b>195.00</b>	
<b>-TS</b>	Top Secured with Slotted Screws	<b>180.00</b>	
<b>-TSP</b>	Trap Seal Protection Device (Size Matches Drain Outlet Selected, See Z1072)	<b>POA</b>	
<b>-VP</b>	Vandal-Proof Secured Top	<b>206.00</b>	
<b>-Y</b>	Sediment Bucket	<b>195.00</b>	
<b>-90</b>	90° Threaded Side Outlet Body Assembly (3", 4")	<b>467.00</b>	

BEST SELLERS	LIST PRICE
Z550-3NH	<b>699.00</b>
Z550-3NH-Y	<b>894.00</b>
Z550-3NL	<b>699.00</b>
Z550-3NL-P	<b>906.00</b>
Z550-3NL-P-Y	<b>1,101.00</b>
Z550-3NL-Y	<b>894.00</b>
Z550-4NH	<b>699.00</b>
Z550-4NH-P	<b>906.00</b>
Z550-4NH-P-Y	<b>1,101.00</b>
Z550-4NH-Y	<b>894.00</b>
Z550-4NL	<b>699.00</b>
Z550-4NL-P	<b>906.00</b>
Z550-4NL-Y	<b>894.00</b>

\*Regularly furnished unless otherwise specified.

Items designated as Best Sellers are most specified and are generally in stock for shipment.

Ⓢ This symbol denotes a product that is engineered to reduce installation and rework time.

For additional product information, please visit [www.zurn.com](http://www.zurn.com)

Patent [zurn.com/patents](http://zurn.com/patents)

## Z551 9" DIAMETER MEDIUM-DUTY DRAIN



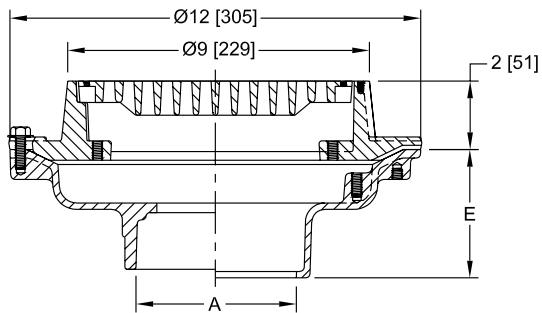
### ENGINEERING SPECIFICATION

Zurn Z551 9" diameter top drain features Dura-Coated cast iron body with bottom outlet, seepage pan and combination membrane flashing clamp and frame with integrated trap primer and plug for medium-duty, cast iron, heel-proof, slotted, Duresist grate.

### NOTES

†Add 3/16" to 2" dimension and 3/4" to 9" dimension for ZN

A Pipe Size inch [mm]	Grate Open Area sq in [cm <sup>2</sup> ]	Approximate Weight lb [kg]
2 [51], 3 [76], 4 [102]	18 [116]	28 [13]
6 [152]		30 [14]



PREFIXES	DESCRIPTION	PIPE SIZE	LIST PRICE
Z551*	D.C.C.I. Body and Top	2", 3", 4", 6"	474.00
ZN551	D.C.C.I. Body with Polished Nickel Bronze Top	2", 3", 4", 6"	1,317.00

### OUTLETS (SPECIFY PIPE SIZE IN INCHES AND TYPE OF OUTLET)

OUTLET TYPE	PIPE SIZE/OUTLET TYPE	E BODY HT. DIM.	ADD
IC	Inside Caulk	3IC, 4IC	3-3/4" N/C
IG	Inside Gasket	3IG, 4IG	3-3/4" N/C
IP	Threaded	3IP, 4IP	2-3/4" 114.00
NH	No-Hub	2NH, 3NH, 4NH	4-3/4" N/C
		6NH	5-1/4" N/C
NL	Neo-Loc	2NL, 3NL, 4NL	3-1/2" N/C

### SUFFIXES

SUFFIXES	ADD
-AR	Acid Resisting Epoxy Coated Cast Iron 655.00
-D	Dome Grate Z 119.00 ZN 506.00
-G	Galvanized Cast Iron 341.00
-S	Secondary Strainer 62.00
-SS	Stainless Mesh Liner for Bucket 401.00
-TC	Neo-Loc Test Cap Gasket (2", 3", 4" NL Bottom Outlet Only) 36.00
-TG	Tractor Grate 195.00
-TS	Top Secured with Slotted Screws 180.00
-VP	Vandal-Proof Secured Top 206.00
-Y	Sediment Bucket 195.00
-90	90° Threaded Side Outlet Body Assembly (2" thru 4" Only) 445.00

### BEST SELLERS

	LIST PRICE
Z551-4NH	474.00
Z551-4NL	474.00

## Z554 9" MEDIUM-DUTY DRAIN WITH SUR-SET BUCKET



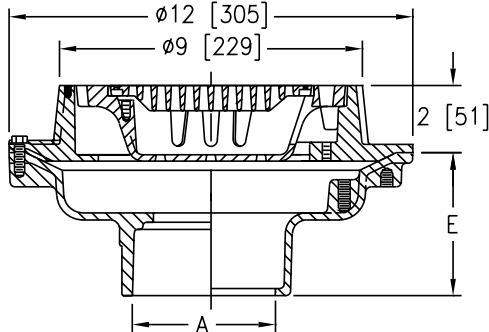
### ENGINEERING SPECIFICATION

Zurn Z554 9" diameter top drain features Dura-Coated cast iron body with bottom outlet, seepage pan, combination membrane flashing clamp and frame, and medium-duty cast iron grate with Sur-Set bucket.

### NOTES

†Add 3/16" to 2" dimension and 3/4" to 9" for ZN

A Pipe Size inch [mm]	Grate Open Area sq in [cm <sup>2</sup> ]	Approximate Weight lb [kg]
2 [51], 3 [76], 4 [102]	9 [58]	21 [10]



PREFIXES	DESCRIPTION	PIPE SIZE	LIST PRICE
Z554*	D.C.C.I. Body and Top	2", 3", 4"	866.00
ZN554	D.C.C.I. Body with Polished Nickel Bronze Top	2", 3", 4"	1,588.00

OUTLETS (SPECIFY PIPE SIZE IN INCHES AND TYPE OF OUTLET)			
OUTLET TYPE	PIPE SIZE/ OUTLET TYPE	E BODY HT. DIM.	ADD
IP	Threaded	4IP	2-3/4" 114.00
NH	No-Hub	2NH, 3NH, 4NH	4-3/4" N/C
NL	Neo-Loc	2NL, 3NL, 4NL	3-1/2" N/C

SUFFIXES		ADD
-AR	Acid Resisting Epoxy Coated Cast Iron	734.00
-G	Galvanized Cast Iron	644.00
-TC	Neo-Loc Test Cap Gasket (2", 3", 4" NL Bottom Outlet Only)	36.00
-TS	Top Secured with Slotted Screws	180.00
-VP	Vandal-Proof Secured Top	206.00

BEST SELLER	LIST PRICE
Z554-4NH	866.00

## Z556 8" ADJUSTABLE HEAVY-DUTY DRAIN



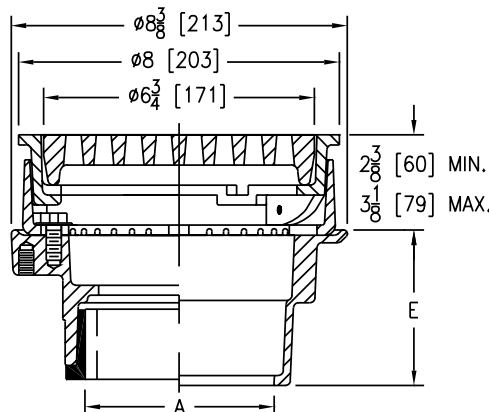
### ENGINEERING SPECIFICATION

Zurn Z556 8" diameter top drain features Dura-Coated cast iron body with bottom outlet, seepage pan, and combination membrane extension with heavy-duty, slotted, cast iron grate.

### NOTES

†Add 3/16" to 2-3/8" through 3-1/8" dimension for ZB and ZN

A Pipe Size inch [mm]	Grate Open Area sq in [cm <sup>2</sup> ]	Approximate Weight lb [kg]
2 [51], 3 [76], 4 [102]	11 [71]	19 [9]



PREFIXES	DESCRIPTION	PIPE SIZE	LIST PRICE
Z556*	D.C.C.I. Body and Top	2", 3", 4"	599.00
ZN556	D.C.C.I. Body with Polished Nickel Bronze Top	2", 3", 4"	1,317.00

OUTLETS (SPECIFY PIPE SIZE IN INCHES AND TYPE OF OUTLET)			
OUTLET TYPE	PIPE SIZE/ OUTLET TYPE	E BODY HT. DIM.	ADD
IP	Threaded	2IP, 3IP, 4IP	2-5/8" 114.00
NH	No-Hub	2NH, 3NH, 4NH	3-7/8" N/C
NL	Neo-Loc	2NL, 3NL, 4NL	3-3/4" N/C

SUFFIXES		ADD
-G	Galvanized Cast Iron	588.00
-P	Trap Primer Connection	207.00
-TS	Top Secured with Slotted Screws	180.00
-VP	Vandal-Proof Secured Top	206.00
-Y	Sediment Bucket	195.00

BEST SELLER	LIST PRICE
ZN556-4NL-Y	1,512.00

\*Regularly furnished unless otherwise specified.

Items designated as Best Sellers are most specified and are generally in stock for shipment.

⌚ This symbol denotes a product that is engineered to reduce installation and rework time.

For additional product information, please visit [www.zurn.com](http://www.zurn.com)  
Patent [zurn.com/patents](http://zurn.com/patents)

## Z566 12" SQUARE OPEN TOP DRAIN



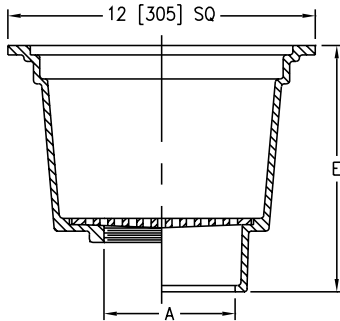
### ENGINEERING SPECIFICATION

Zurn Z566 12" square open top drain features Dura-Coated cast iron body with bottom outlet and loose set cast iron secondary strainer.

### NOTES

†Add 3/16" to 'E' dimension for ZN

A Pipe Size inch [mm]	Approximate Weight lb [kg]
2 [51], 3 [76], 4 [102]	42 [19]



PREFIXES	DESCRIPTION	PIPE SIZE	LIST PRICE
Z566*	D.C.C.I. Body	2", 3", 4"	1,154.00
ZN566	D.C.C.I. Body with Polished Nickel Bronze Top	2", 3", 4"	2,253.00
OUTLETS (SPECIFY PIPE SIZE IN INCHES AND TYPE OF OUTLET)			
OUTLET TYPE	PIPE SIZE/OUTLET TYPE	E BODY HT. DIM.	ADD
IP	Threaded	3IP, 4IP	7-5/8" 114.00
NL	Neo-Loc	2NL, 3NL, 4NL	9" N/C
SUFFIXES			ADD
-AR	Acid Resisting Epoxy Coated Cast Iron		1,019.00
-G	Galvanized Cast Iron		780.00
-GT	Top Grate		269.00
		Z	798.00
		ZN	798.00
Ⓢ	-TC	Neo-Loc Test Cap Gasket (2", 3", 4" NL Bottom Outlet Only)	36.00
	-Y	Sediment Bucket	334.00
BEST SELLERS			LIST PRICE
	Z566-4NL-GT-Y		1,757.00
	ZN566-4NL-GT-Y		3,385.00

## Z575 6" X 12" MEDIUM-DUTY GUTTER DRAIN



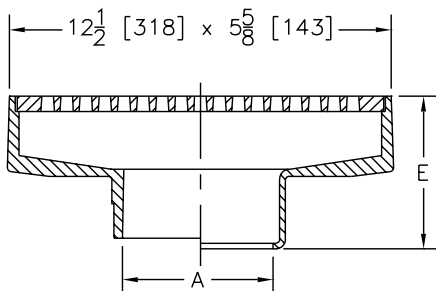
### ENGINEERING SPECIFICATION

Zurn Z575 6" x 12" top gutter drain features Dura-Coated cast iron body with bottom outlet and medium-duty, cast iron, anti-tilt, slotted grate.

### NOTES

†Add 3/16" to 'E' dimension for ZB and ZN

A Pipe Size inch [mm]	Grate Open Area sq in [cm <sup>2</sup> ]	Approximate Weight lb [kg]
2 [51], 3 [76], 4 [102]	24 [155]	18 [8]



PREFIXES	DESCRIPTION	PIPE SIZE	LIST PRICE
Z575*	D.C.C.I. Body and Top	2", 3", 4"	708.00
ZB575	D.C.C.I. Body with Polished Bronze Top	2", 3", 4"	1,476.00
ZN575	D.C.C.I. Body with Polished Nickel Bronze Top	2", 3", 4"	1,573.00
OUTLETS (SPECIFY PIPE SIZE IN INCHES AND TYPE OF OUTLET)			
OUTLET TYPE	PIPE SIZE/OUTLET TYPE	E BODY HT. DIM.	ADD
IP	Threaded	2IP, 3IP, 4IP	3-5/8" 114.00
NH	No-Hub (IP w/Z1040)	3NH, 4NH	- N/C
NL	Neo-Loc	3NL, 4NL	4-1/2" N/C
SUFFIXES			ADD
-DG	Duresist Grate		422.00
-G	Galvanized Cast Iron		678.00
-K	Seepage Pan		285.00
-KC	Seepage Pan with Clamp Collar		522.00
Ⓢ	-TC	Neo-Loc Test Cap Gasket (2", 3", 4" NL Bottom Outlet Only)	36.00
	-TS	Top Secured with Slotted Screws	180.00
	-V	Backwater Valve (See Z1099)	POA
	-VP	Vandal-Proof Secured Top	206.00

# Z609 9" SQUARE HEAVY-DUTY DRAIN



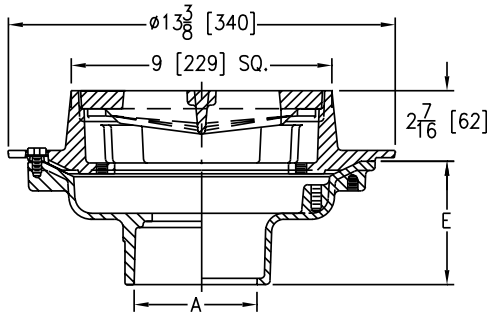
## ENGINEERING SPECIFICATION

Zurn Z609 9" square top drain features Dura-Coated cast iron body with bottom outlet, seepage pan, heavy-duty, cast iron, anti-tilt, slotted grate, and combination membrane flashing clamp and frame.

### NOTES

†Add 3/16" to 2-7/16" dimension and 3/4" to 9" dimension for ZN

A Pipe Size inch [mm]	Grate Open Area sq in [cm <sup>2</sup> ]	Approximate Weight lb [kg]
2 [51], 3 [76], 4 [102]	14 [90]	32 [15]



PREFIXES	DESCRIPTION	PIPE SIZE	LIST PRICE
Z609*	D.C.C.I. Body and Top	2", 3", 4"	1,194.00
ZN609	D.C.C.I. Body with Polished Nickel Bronze Top	2", 3", 4"	2,073.00
OUTLETS (SPECIFY PIPE SIZE IN INCHES AND TYPE OF OUTLET)			
OUTLET TYPE	PIPE SIZE/OUTLET TYPE	E BODY HT. DIM.	ADD
IC	Inside Caulk	2IC, 3IC, 4IC	3-3/4" N/C
IG	Inside Gasket	2IG, 3IG, 4IG	3-3/4" N/C
IP	Threaded	2IP, 3IP, 4IP	2-3/4" 114.00
NH	No-Hub (IP w/Z1040)	2NH, 3NH, 4NH	4-3/4" N/C
NL	Neo-Loc	2NL, 3NL, 4NL	3-1/2" N/C
SUFFIXES			ADD
-AR	Acid Resisting Epoxy Coated Cast Iron		688.00
-DG	Duresist Grate		291.00
-F	2" High Extension (Per Inch)		69.00
-G	Galvanized Cast Iron		576.00
-GG	Galvanized Grate		219.00
-H	Hinged Grate		247.00
-HL	Hinged Locking Grate		567.00
-P	Trap Primer Connection (1/2"*)		207.00
-S	Secondary Strainer		67.00
-SC	Solid Cover		664.00
-SS	Stainless Steel Mesh Liner for Bucket		393.00
-TC	Neo-Loc Test Cap Gasket (2", 3", 4" NL Bottom Outlet Only)		36.00
-TS	Top Secured with Slotted Screws		180.00
-V	Backwater Valve (See Z1099)		POA
-VP	Vandal-Proof Secured Top		206.00
-Y	Sediment Bucket		195.00
-90	90° Threaded Side Outlet Body Assembly (2" thru 4" Only)		467.00

\*Regularly furnished unless otherwise specified.

Items designated as Best Sellers are most specified and are generally in stock for shipment.

⌚ This symbol denotes a product that is engineered to reduce installation and rework time.

For additional product information, please visit [www.zurn.com](http://www.zurn.com)  
Patent [zurn.com/patents](http://zurn.com/patents)

INTRO ROOF DRAINS FLOOR DRAINS I, P, BW VALVES INTERCEPTORS CARRIERS HYDRANTS CLEANOUTS WHA SS DRAINS SANI-FLOOR TECH INFO

## Z610 12-1/2" HEAVY-DUTY DRAIN



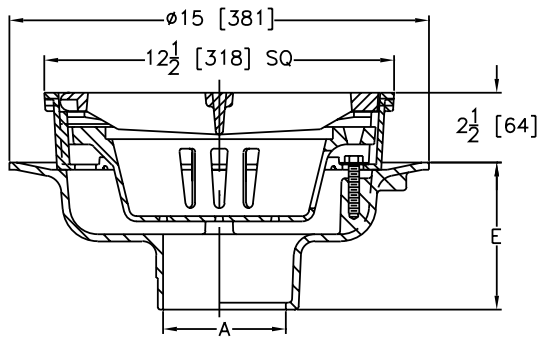
### ENGINEERING SPECIFICATION

Zurn Z610 12-1/2" square top drain features Dura-Coated cast iron body with bottom outlet, seepage pan, and combination membrane flashing clamp and frame for heavy-duty, loose, slotted, duriest grate with suspended polypropylene sediment bucket.

### NOTES

†Add 3/16" to 2-1/2" dimension and 3/4" to 12-1/2" dimension for ZN

A Pipe Size inch [mm]	Grate Open Area sq in [cm <sup>2</sup> ]	Approximate Weight lb [kg]
2 [51], 3 [76], 4 [102], 6 [152]	42 [271]	54 [24]
8 [203]		56 [25]



PREFIXES	DESCRIPTION	PIPE SIZE	LIST PRICE
<b>Z610*</b>	D.C.C.I. Body and Top	2", 3", 4", 6"	<b>2,036.00</b>
		8"	<b>2,447.00</b>
<b>ZN610</b>	D.C.C.I. Body with Polished Nickel Bronze Top	2", 3", 4", 6"	<b>3,531.00</b>
		8"	<b>3,929.00</b>
OUTLETS (SPECIFY PIPE SIZE IN INCHES AND TYPE OF OUTLET)			
OUTLET TYPE	PIPE SIZE/OUTLET TYPE	E BODY HT. DIM.	ADD
<b>IC</b>	Inside Caulk	3IC, 4IC, 6IC	5-1/4" <b>N/C</b>
<b>IG</b>	Inside Gasket	3IG, 4IG, 6IG	5-1/4" <b>N/C</b>
<b>IP</b>	Threaded	2IP, 3IP, 4IP, 6IP	3-3/4" <b>114.00</b>
<b>NH</b>	No-Hub	2NH, 3NH, 4NH, 6NH, 8NH	5-1/4" <b>N/C</b>
<b>NL</b>	Neo-Loc	2NL, 3NL, 4NL	4-5/8" <b>N/C</b>
SUFFIXES			ADD
<b>-AR</b>	Acid Resisting Epoxy Coated Cast Iron		<b>1,255.00</b>
<b>-DS</b>	Ductile Iron Solid Cover		<b>1,037.00</b>
<b>-DX</b>	Dex-O-Tex Flange (ZN only)		<b>1,614.00</b>
<b>-F</b>	2" High Extension		<b>452.00</b>
<b>-G</b>	Galvanized Cast Iron		<b>1,217.00</b>
<b>-H</b>	Hinged Grate		<b>334.00</b>
<b>-HC</b>	Hinged Solid Cover		<b>730.00</b>
<b>-HL</b>	Hinged Locking Grate		<b>758.00</b>
<b>-HLC</b>	Hinged Locking Cover		<b>792.00</b>
<b>-P</b>	Trap Primer Connection		<b>207.00</b>
<b>-S</b>	Secondary Strainer		<b>137.00</b>
Ⓢ <b>-SA</b>	Stabilizer Assembly (See Z1036)		<b>204.00</b>
<b>-SS</b>	Stainless Mesh Liner for Bucket		<b>572.00</b>
Ⓢ <b>-TC</b>	Neo-Loc Test Cap Gasket (2", 3", 4" NL Bottom Outlet Only)		<b>36.00</b>
<b>-TS</b>	Top Secured with Slotted Screws		<b>180.00</b>
<b>-TSP</b>	Trap Seal Protection Device (Size Matches Drain Outlet Selected, See Z1072)		<b>POA</b>
<b>-V</b>	Backwater Valve (See Z1099)		<b>POA</b>
<b>-VP</b>	Vandal-Proof Secured Top		<b>206.00</b>
<b>-YC</b>	Cast Iron Sediment Bucket		<b>375.00</b>
<b>-90</b>	90° Threaded Side Outlet Body Assembly		<b>500.00</b>
			DEDUCT
<b>-LY</b>	Less Sediment Bucket		<b>(473.00)</b>
BEST SELLERS			LIST PRICE
Z610-3NL			<b>2,036.00</b>
Z610-4NH			<b>2,036.00</b>
Z610-4NH-HL			<b>2,794.00</b>
Z610-4NH-S			<b>2,173.00</b>
Z610-4NL			<b>2,036.00</b>
Z610-4NL-HC			<b>2,766.00</b>
Z610-4NL-P			<b>2,243.00</b>
Z610-4NL-S			<b>2,173.00</b>
ZN610-4NL			<b>3,531.00</b>
Z610-6NH			<b>2,036.00</b>
Z610-6NL			<b>2,036.00</b>
Z610-8NH			<b>2,447.00</b>

# Z611 9" MEDIUM-DUTY DRAIN



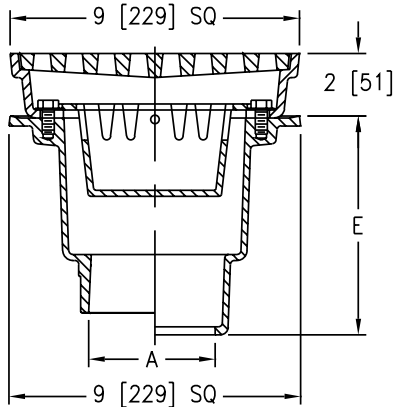
## ENGINEERING SPECIFICATION

Zurn Z611 9" square top drain features Dura-Coated cast iron body with bottom outlet, seepage pan, and combination membrane flashing clamp and frame for cast iron, medium-duty, slotted grate with suspended sediment bucket.

## NOTES

†Add 3/16" to 2" and 9" dimension for ZB and ZN

A Pipe Size inch [mm]	Grate Open Area sq in [cm <sup>2</sup> ]	Approximate Weight lb [kg]
2 [51], 3 [76], 4 [102]	26 [168]	29 [13]



PREFIXES	DESCRIPTION	PIPE SIZE	LIST PRICE
Z611*	D.C.C.I. Body and Top	2", 3", 4"	1,388.00
ZB611	D.C.C.I. Body with Polished Bronze Top	2", 3", 4"	2,044.00
ZN611	D.C.C.I. Body with Polished Nickel Bronze Top	2", 3", 4"	2,282.00

OUTLETS (SPECIFY PIPE SIZE IN INCHES AND TYPE OF OUTLET)			
OUTLET TYPE		PIPE SIZE/OUTLET TYPE	E BODY HT. DIM. ADD
IP	Threaded	2IP, 3IP, 4IP	5" 114.00
NH	No-Hub (IP w/Z1040)	2NH, 3NH, 4NH	7-1/2" N/C
NL	Neo-Loc	2NL, 3NL, 4NL	6-1/8" N/C

SUFFIXES		ADD
-AR	Acid Resisting Epoxy Coated Cast Iron	762.00
-DG	Duresist Grate	338.00
-G	Galvanized Cast Iron	588.00
-P	Trap Primer Connection	207.00
-S	Secondary Strainer	69.00
Ⓢ -TC	Neo-Loc Test Cap Gasket (2", 3", 4" NL Bottom Outlet Only)	36.00
-V	Backwater Valve (See Z1099)	POA
-VP	Vandal-Proof Secured Top	206.00
-90	90° Side Outlet Body Assembly (2", 3" Threaded Only)	219.00

DEDUCT		
SUFFIXES	LIST PRICE	
-LY	Less Sediment Bucket	(114.00)
BEST SELLERS		
Z611-4NH	1,388.00	
Z611-4NL	1,388.00	

\*Regularly furnished unless otherwise specified.

Items designated as Best Sellers are most specified and are generally in stock for shipment.

Ⓢ This symbol denotes a product that is engineered to reduce installation and rework time.

For additional product information, please visit [www.zurn.com](http://www.zurn.com)  
Patent [zurn.com/patents](http://zurn.com/patents)



## Z624 ISOLATION DECK DRAIN



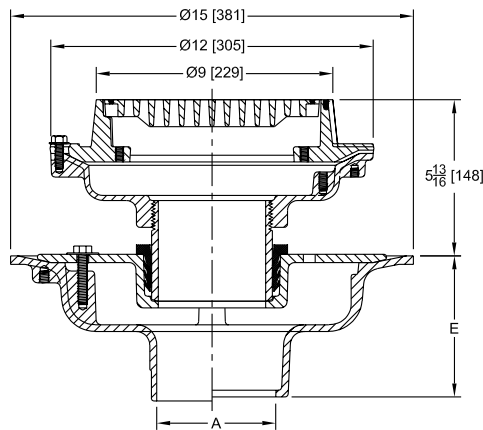
### ENGINEERING SPECIFICATION

Zurn Z624 floating slab drain features Dura-Coated cast iron upper and lower bodies, clamp collar with weep holes, neoprene flex gasket, isolation nipple, and slotted grate.

### NOTES

†Add 3/16" to 4-15/16" dimension for ZN

A Pipe Size inch [mm]	Grate Open Area sq in [cm <sup>2</sup> ]	Approximate Weight lb [kg]
2 [51], 3 [76], 4 [102]	18 [116]	42 [19]
6 [152]		



PREFIXES	DESCRIPTION	PIPE SIZE	LIST PRICE
Z624*	D.C.C.I. Body and Top	2", 3", 4"	2,438.00
		6"	2,875.00
ZN624	D.C.C.I. Body with Polished Nickel Bronze Top	2", 3", 4"	2,926.00
		6"	3,358.00

OUTLETS (SPECIFY PIPE SIZE IN INCHES AND TYPE OF OUTLET)			
OUTLET TYPE	PIPE SIZE/OUTLET TYPE	E BODY HT. DIM.	ADD
NH	No-Hub	2NH, 3NH, 4NH, 6NH	5-1/4" N/C
NL	Neo-Loc	2NL, 3NL, 4NL	4-5/8" N/C
SUFFIXES			ADD
-C	Underdeck Clamp (Lower Body)		336.00
-G	Galvanized Cast Iron		1,640.00
-R	Sump Receiver (Lower Body)		374.00
-TS	Top Secured with Slotted Screws		180.00
-VP	Vandal-Proof Secured Top		206.00
-Y	Sediment Bucket (Upper Body)		203.00
BEST SELLERS			LIST PRICE
Z624-3NH			2,438.00
ZN624-3NH			2,926.00
ZN624-4NH			2,926.00
Z624-6NH			2,875.00

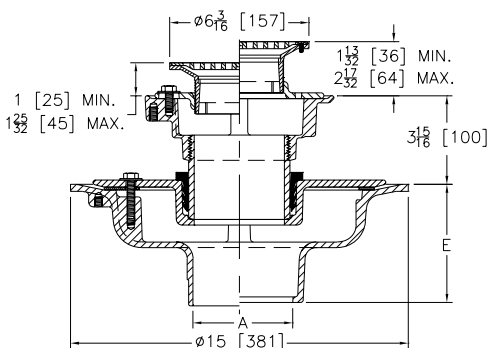
## Z625 ADJUSTABLE ISOLATION DECK DRAIN



### ENGINEERING SPECIFICATION

Zurn ZN625 adjustable isolation deck drain features Dura-Coated cast iron upper and lower bodies, upper and lower clamp collars, neoprene flex gasket, isolation nipple, and adjustable 6" diameter nickel bronze strainer.

A Pipe Size inch [mm]	Grate Open Area sq in [cm <sup>2</sup> ]	Approximate Weight lb [kg]
2 [51], 3 [76], 4 [102]	9 [58]	42 [19]
6 [152]		



PREFIXES	DESCRIPTION	PIPE SIZE	LIST PRICE
ZN625*	D.C.C.I. Body with Polished Nickel Bronze Top	2", 3", 4"	2,071.00
		6"	2,508.00
ZB625	D.C.C.I. Body with Polished Bronze Top	2", 3", 4"	1,992.00
		6"	2,429.00
OUTLETS (SPECIFY PIPE SIZE IN INCHES AND TYPE OF OUTLET)			
OUTLET TYPE	PIPE SIZE/OUTLET TYPE	E BODY HT. DIM.	ADD
NH	No-Hub	2NH, 3NH, 4NH, 6NH	5-1/4" N/C
NL	Neo-Loc	2NL, 3NL, 4NL	4-5/8" N/C
SUFFIXES			ADD
-C	Underdeck Clamp (Lower Body)		336.00
-G	Galvanized Cast Iron		1,563.00
Ⓞ-PC	Protective Cover		91.00
-R	Sump Receiver (Lower Body)		374.00
-U	3" High Extension Adapter (Upper Body)		195.00
-VP	Vandal-Proof Secured Top		83.00
-Y	Sediment Bucket (Upper Body)		152.00
BEST SELLERS			LIST PRICE
ZN625-3NH			2,071.00
ZN625-4NH			2,071.00

For additional product information, please visit [www.zurn.com](http://www.zurn.com)  
Patent [zurn.com/patents](http://zurn.com/patents)

\*Regularly furnished unless otherwise specified.

Items designated as Best Sellers are most specified and are generally in stock for shipment.

Ⓞ This symbol denotes a product that is engineered to reduce installation and rework time.

## Z627 HEAVY-DUTY ADJUSTABLE ISOLATION DECK DRAIN



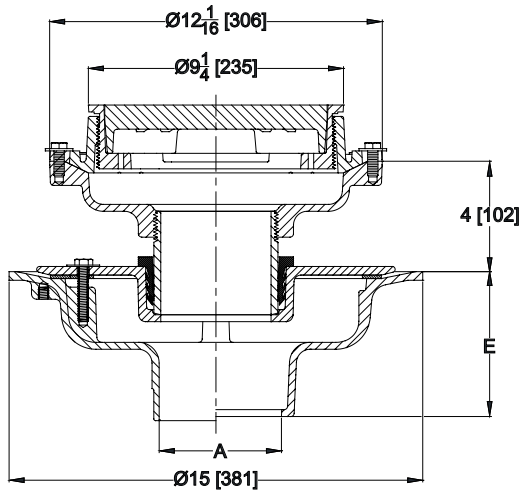
### ENGINEERING SPECIFICATION

Zurn Z627 adjustable isolation deck drain, Dura-Coated cast iron upper and lower bodies, clamp collar, neoprene flex gasket, isolation nipple, and heavy-duty grate.

### NOTES

\*Add 3/16" to 9-1/4" dimension and 3/16" to 2" to 3-1/2" dimension for ZN

A Pipe Size inch [mm]	Grate Open Area sq in [cm <sup>2</sup> ]	Approximate Weight lb [kg]
2 [51], 3 [76], 4 [102]	33 [213]	94 [43]
6 [152]		



PREFIXES	DESCRIPTION	PIPE SIZE	LIST PRICE
<b>Z627*</b>	D.C.C.I. Body and Top	2", 3", 4"	<b>1,906.00</b>
		6"	<b>2,343.00</b>
<b>ZN627</b>	D.C.C.I. Body with Polished Nickel Bronze Top	2", 3", 4"	<b>2,631.00</b>
		6"	<b>3,062.00</b>

OUTLETS (SPECIFY PIPE SIZE IN INCHES AND TYPE OF OUTLET)				
OUTLET TYPE	PIPE SIZE/OUTLET TYPE	E BODY HT. DIM.	ADD	
<b>NH</b>	No-Hub	2NH, 3NH, 4NH, 6NH	5-1/4"	<b>N/C</b>
<b>NL</b>	Neo-Loc	2NL, 3NL, 4NL	4-5/8"	<b>N/C</b>

SUFFIXES			ADD
<b>-C</b>	Underdeck Clamp (Lower Body)		<b>336.00</b>
<b>-DG</b>	Duresist Grate		<b>725.00</b>
<b>-G</b>	Galvanized Cast Iron		<b>1,885.00</b>
<b>-R</b>	Sump Receiver (Lower Body)		<b>374.00</b>
<b>-TS</b>	Top Secured with Slotted Screws		<b>180.00</b>
<b>-VP</b>	Vandal-Proof Secured Top		<b>206.00</b>
<b>-Y</b>	Sediment Bucket		<b>195.00</b>

BEST SELLERS		LIST PRICE
Z627-3NH		<b>1,906.00</b>
Z627-3NH-VP		<b>2,112.00</b>
ZN627-3NH		<b>2,631.00</b>

\*Regularly furnished unless otherwise specified.

Items designated as Best Sellers are most specified and are generally in stock for shipment.

⌚ This symbol denotes a product that is engineered to reduce installation and rework time.

For additional product information, please visit [www.zurn.com](http://www.zurn.com)

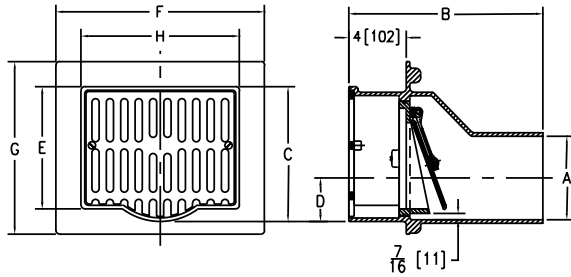
Patent [zurn.com/patents](http://zurn.com/patents)

## Z629 VERTICAL WALL DRAIN WITH BACKWATER VALVE



### ENGINEERING SPECIFICATION

Zurn Z629 vertical wall drain features Dura-Coated cast iron body, bronze valve assembly, and secured slotted grate.



PREFIXES	DESCRIPTION	PIPE SIZE	LIST PRICE
<b>Z629*</b>	D.C.C.I. Body with Cast Iron Grate	3", 4"	2,713.00
		6"	4,080.00
<b>ZN629</b>	D.C.C.I. Body with Polished Nickel Bronze Grate	3", 4"	3,990.00
		6"	5,353.00
OUTLETS (SPECIFY PIPE SIZE IN INCHES AND TYPE OF OUTLET)			
OUTLET TYPE	PIPE SIZE/OUTLET TYPE		ADD
<b>NH</b>	No-Hub	3NH, 4NH, 6NH	N/C
SUFFIXES			
			ADD
<b>-C</b>	Clamping Collar		367.00
<b>-G</b>	Galvanized Cast Iron		903.00
<b>-VP</b>	Vandal-Proof Secured Top		119.00
DEDUCT			
<b>-LV</b>	Less Backwater Valve	3", 4"	(599.00)
		6"	(1,439.00)

Dimensions in inches [mm]								Grate Open Area sq in [cm <sup>2</sup> ]	Approximate Weight lb [kg]
A Pipe Size	B	C	D	E	F	G	H		
3 [76]	13 [330]	7-5/8 [178]	1-1/2 [38]	6-7/8 [175]	12-3/4 [324]	11 [279]	9-1/4 [235]	20 [129]	47 [21]
4 [102]			2 [51]						
6 [152]	13-1/2 [343]	9-3/8 [238]	3-1/8 [79]	8-1/2 [216]	14-1/2 [368]	12 [305]	11 [279]	33 [213]	58 [26]

## Z645 12-1/2" X 12-1/2" HEAVY-DUTY DRAIN



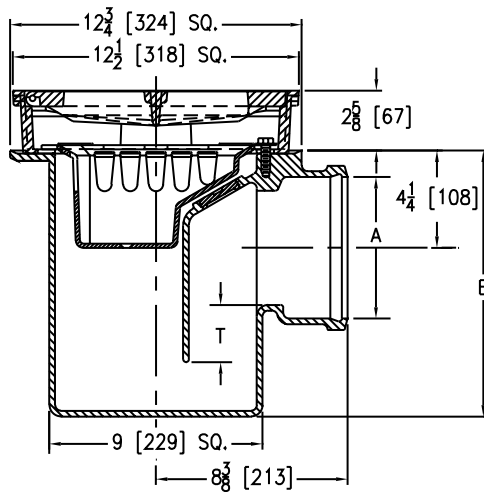
### ENGINEERING SPECIFICATION

Zurn Z645 12-1/2" x 12-1/2" top drain features Dura-Coated cast iron body with side outlet, internal trap with bronze cleanout plug, seepage pan, and combination membrane flashing clamp and frame for cast iron, hinged, heavy-duty, slotted grate with suspended aluminum sediment bucket.

### NOTES

+Add 3/16" to 2-5/8" dimension and 3/4" to 12-1/2" dimension for ZN

Dimensions in inches [mm]		Grate Open Area sq in [cm <sup>2</sup> ]	Approximate Weight lb [kg]
A Pipe Size	M		
3 [76]	3-1/2 [89]	44 [284]	112 [51]
4 [102]	3 [76]		



PREFIXES	DESCRIPTION	PIPE SIZE	LIST PRICE
Z645*	D.C.C.I. Body and Top	3", 4"	3,710.00
ZN645	D.C.C.I. Body with Polished Nickel Bronze Top	3", 4"	5,284.00
OUTLETS (SPECIFY PIPE SIZE IN INCHES AND TYPE OF OUTLET)			
OUTLET TYPE	PIPE SIZE/OUTLET TYPE	E BODY HT. DIM.	ADD
IC	Inside Caulk	3IC, 4IC	11-5/8" N/C
SUFFIXES			ADD
-AR	Acid Resisting Epoxy Coated Cast Iron		2,270.00
-G	Galvanized Cast Iron		1,994.00
-P	Trap Primer Connection (Specify 1/2" or 3/4")		207.00
-VP	Vandal-Proof Secured Top		206.00
BEST SELLER			LIST PRICE
Z645-4IC			3,710.00

\*Regularly furnished unless otherwise specified.

Items designated as Best Sellers are most specified and are generally in stock for shipment.

⌚ This symbol denotes a product that is engineered to reduce installation and rework time.

For additional product information, please visit [www.zurn.com](http://www.zurn.com)

Patent [zurn.com/patents](http://zurn.com/patents)

# Z662 16" HEAVY-DUTY DRAIN



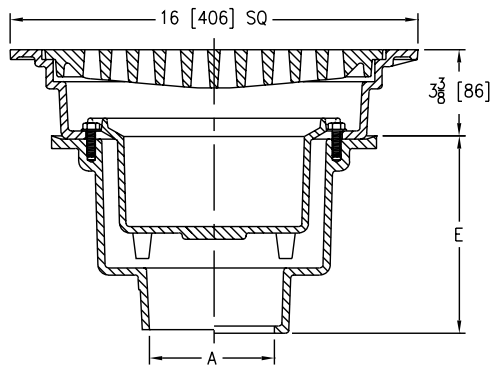
## ENGINEERING SPECIFICATION

Zurn Z662 16" square top drain features Dura-Coated cast iron body with bottom outlet, seepage pan, and combination membrane flashing clamp and frame for heavy-duty, slotted, loose grate with suspended sediment bucket.

## NOTES

\*Add 3/16" to 3-3/8" through 3-5/8" dimension and 11/16" to 16" dimension for ZB and ZN

A Pipe Size inch [mm]	Grate Open Area sq in [cm <sup>2</sup> ]	Approximate Weight lb [kg]
3 [76], 4 [102]	53 [342]	95 [43]
6 [152]		98 [44]



PREFIXES	DESCRIPTION	PIPE SIZE	LIST PRICE
Z662*	D.C.C.I. Body and Top	3", 4", 6"	3,647.00
ZB662	D.C.C.I. Body with Polished Bronze Top	3", 4", 6"	5,611.00
ZN662	D.C.C.I. Body with Polished Nickel Bronze Top	3", 4", 6"	6,123.00

OUTLETS (SPECIFY PIPE SIZE IN INCHES AND TYPE OF OUTLET)				
OUTLET TYPE	PIPE SIZE/OUTLET TYPE	E BODY HT. DIM.	ADD	
IC	Inside Caulk	4IC, 6IC	7-3/4"	N/C
IG	Inside Caulk w/ Sealrol Gasket	4IG, 6IG	7-3/4"	N/C
IP	Threaded	4IP, 6IP	6-5/16"	114.00
NH	No-Hub	3NH, 4NH, 6NH	7-13/16"	N/C
NL	Neo-Loc	3NL, 4NL	7-3/16"	N/C

SUFFIXES	ADD	
-DG	Duresist Grate	762.00
-G	Galvanized Cast Iron	1,886.00
-HP	Heel-Proof Grate	885.00
Ⓢ -PK	Precast Kit	611.00
-SS	Stainless Steel Mesh Liner for Bucket	572.00
Ⓢ -TC	Neo-Loc Test Cap Gasket (3", 4" Bottom Outlet Only)	36.00
-TS	Top Secured with Slotted Screws	180.00
-TSP	Trap Seal Protection Device (Size Matches Drain Outlet Selected, See Z1072)	POA
-VP	Vandal-Proof Secured Top	206.00
-YA	Aluminum Sediment Bucket	522.00

DEDUCT		
-LY	Less Sediment Bucket	(233.00)

BEST SELLERS	LIST PRICE
Z662-3NH-DG-G-HP-VP-YA	7,908.00
Z662-3NH-HP-VP	4,738.00
Z662-3NL-HP-VP	4,738.00
Z662-4NH	3,647.00
Z662-4NH-DG	4,409.00
Z662-4NH-G	5,533.00
Z662-4NH-PK	4,258.00
Z662-4NH-PK-G	6,144.00
Z662-4NH-PK-G-VP	6,350.00
Z662-4NL	3,647.00
Z662-6IP-DG-VP	4,729.00
Z662-6NH	3,647.00
Z662-6NH-G	5,533.00
Z662-6NH-HP-VP	4,738.00

# Z662-HF 16" HEAVY-DUTY DRAIN WITH HIGH FLOW DUCTILE IRON GRATE



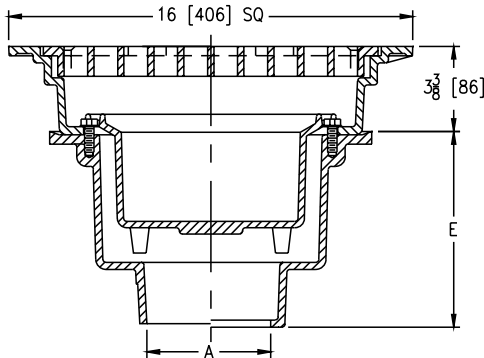
## ENGINEERING SPECIFICATION

Zurn Z662-HF 16" square top drain features Dura-Coated cast iron body with bottom outlet, seepage pan, and combination membrane flashing clamp and frame for heavy-duty, high flow ductile iron grate with suspended sediment bucket.

## NOTES

†Add 3/16" to 3-3/8" through 3-5/8" dimension and 11/16" to 16" dimension for ZB and ZN

A Pipe Size inch [mm]	Grate Open Area sq in [cm <sup>2</sup> ]	Approximate Weight lb [kg]
3 [76], 4 [102]	103 [665]	86 [39]
6 [152]		89 [40]



PREFIXES	DESCRIPTION	PIPE SIZE	LIST PRICE
<b>Z662-HF*</b>	D.C.C.I. Body and Top	3", 4", 6"	<b>4,491.00</b>
<b>ZN662-HF</b>	D.C.C.I. Body with Polished Nickel Bronze Top	3", 4", 6"	<b>6,783.00</b>

## OUTLETS (SPECIFY PIPE SIZE IN INCHES AND TYPE OF OUTLET)

OUTLET TYPE	PIPE SIZE/OUTLET TYPE	E BODY HT. DIM.	ADD
<b>IC</b>	Inside Caulk	4IC, 6IC	7-3/4" <b>N/C</b>
<b>IG</b>	Inside Caulk w/ Sealrol Gasket	4IG, 6IG	7-3/4" <b>N/C</b>
<b>IP</b>	Threaded	4IP, 6IP	6-5/16" <b>114.00</b>
<b>NH</b>	No-Hub	3NH, 4NH, 6NH	7-13/16" <b>N/C</b>
<b>NL</b>	Neo-Loc	3NL, 4NL	7-3/16" <b>N/C</b>

## SUFFIXES

SUFFIXES	DESCRIPTION	ADD
<b>-SS</b>	Stainless Steel Mesh Liner for Bucket	<b>572.00</b>
Ⓢ <b>-TC</b>	Neo-Loc Test Cap Gasket (3", 4" Bottom Outlet Only)	<b>33.00</b>
<b>-TS</b>	Top Secured with Slotted Screws	<b>180.00</b>
<b>-VP</b>	Vandal-Proof Secured Top	<b>206.00</b>
<b>-YA</b>	Aluminum Sediment Bucket	<b>522.00</b>
		<b>DEDUCT</b>
<b>-LY</b>	Less Sediment Bucket	<b>(236.00)</b>

\*Regularly furnished unless otherwise specified.

Items designated as Best Sellers are most specified and are generally in stock for shipment.

Ⓢ This symbol denotes a product that is engineered to reduce installation and rework time.

For additional product information, please visit [www.zurn.com](http://www.zurn.com)  
Patent [zurn.com/patents](http://zurn.com/patents)

# Z664 6" WIDE HEAVY-DUTY MODULAR TRENCH DRAIN



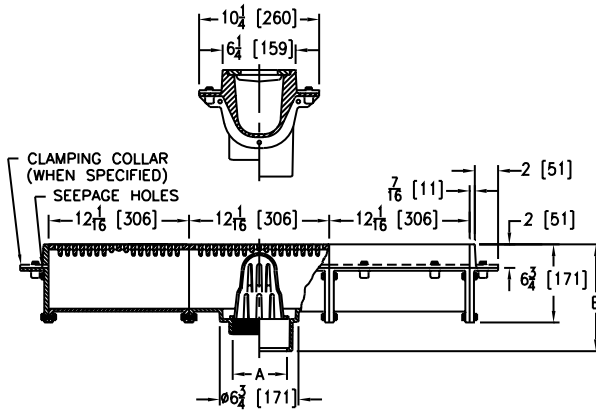
## ENGINEERING SPECIFICATION

Zurn Z664 6" wide top modular trench drain features Dura-Coated cast iron drain section with bottom outlet and secondary dome strainer. Both 12" long outlet module and extension modules are complete with integral seepage pan and loose heavy-duty, slotted, heel-proof grate.

## NOTES

†Add 1/8 [203] to 'E' and 2" dimension for ZB and ZN

A Pipe Size inch [mm]	Grate Open Area sq in [cm <sup>2</sup> ]	Approximate Weight lb [kg]
2 [51], 3 [76], 4 [102]	14 [90]	35 [16]



PREFIXES	DESCRIPTION	PIPE SIZE	LIST PRICE
Z664*	D.C.C.I. Body and Top	2", 3", 4"	1,414.00
ZB664	D.C.C.I. Body with Polished Bronze Top	2", 3", 4"	3,013.00
ZN664	D.C.C.I. Body With Veneers (304SS Standard)	2", 3", 4"	3,182.00

OUTLETS (SPECIFY PIPE SIZE IN INCHES AND TYPE OF OUTLET)			
OUTLET TYPE	PIPE SIZE/OUTLET TYPE	E BODY HT. DIM.	ADD
IC	Inside Caulk	2IC, 3IC, 4IC	9-1/8" N/C
IP	Threaded	2IP, 3IP, 4IP	9-1/8" 114.00
NH	No-Hub (IP w/Z1040)	2NH, 3NH, 4NH	- N/C
NL	Neo-Loc	2NL, 3NL, 4NL	8-3/8" N/C

SUFFIXES		ADD
-AR	Acid Resisting Epoxy Coated Cast Iron (Per Section)	754.00
-C	Clamp Collar (Per Section)	219.00
-DG	Duresist Grate (Per Section)	447.00
-ES	12" Extension Section (Specify Number of Sections Required)	Z 1,414.00 ZB 3,013.00 ZN 3,182.00
-G	Galvanized Cast Iron (Per Section)	445.00
-M	Side Outlet Adapter Via End Plate	401.00
Ⓢ -SQ	Square Hole Grate (Per Section) (Z Only)	1,050.00
Ⓢ -TC	Neo-Loc Test Cap Gasket (2", 3", 4" NL Bottom Outlet Only)	38.00
-V	Backwater Valve (See Z1099) (Per Outlet)	POA
-VP	Vandal-Proof Secured Top (Per Section)	334.00
-Y	Sediment Bucket (Per Outlet Section)	403.00

BEST SELLERS		LIST PRICE
Z664-4IP-ES(7)		11,426.00
Z664-4NH(8)-DG-ES(80)		124,879.00
Z664-4NH-ES(13)		19,796.00
Z664-4NL-ES(15)		22,624.00
Z664-4NL-ES(9)		14,140.00
Z664-ES		1,414.00

# Z665 12" WIDE HEAVY-DUTY MODULAR TRENCH DRAIN



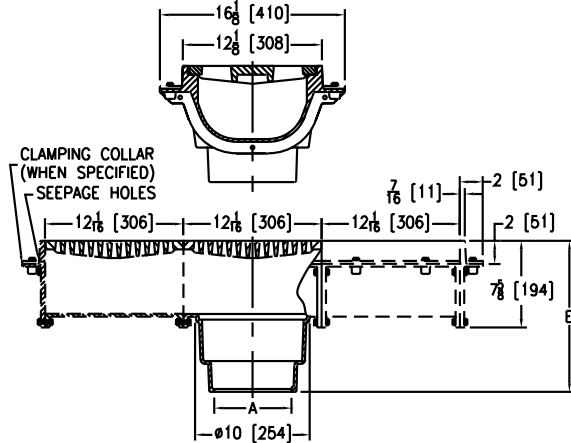
## ENGINEERING SPECIFICATION

Zurn Z665 12" wide top modular trench drain features Dura-Coated cast iron deep sump body with bottom outlet. Both 12" long outlet module and extension modules are complete with integral seepage pan and heavy-duty, loose, slotted grate.

## NOTES

†Add 1/8" to 'E' and 2" dimension for ZB and ZN

A Pipe Size inch [mm]	Grate Open Area sq in [cm <sup>2</sup> ]	Approximate Weight lb [kg]
2 [51], 3 [76], 4 [102]	35 [226]	100 [45]
5 [127], 6 [152]		110 [50]



PREFIXES	DESCRIPTION	PIPE SIZE	LIST PRICE
Z665*	D.C.C.I. Body and Top	2", 3", 4", 5", 6"	2,663.00
ZB665	D.C.C.I. Body with Polished Bronze Top	2", 3", 4", 5", 6"	3,972.00
ZN665	D.C.C.I. Body With Veneers (304SS Standard)	2", 3", 4", 5", 6"	4,168.00

OUTLETS (SPECIFY PIPE SIZE IN INCHES AND TYPE OF OUTLET)			
OUTLET TYPE	PIPE SIZE/OUTLET TYPE	E BODY HT. DIM.	ADD
IC	Inside Caulk	2IC, 3IC, 4IC, 5IC, 6IC	13-3/16" N/C
IG	Inside Caulk w/ Sealrol Gasket	2IG, 3IG, 4IG, 6IG	13-3/16" N/C
NL	Neo-Loc	2NL, 3NL, 4NL	12-1/2" N/C

SUFFIXES		ADD
-AR	Acid Resisting Epoxy Coated Cast Iron (Per Section)	1,046.00
-C	Clamp Collar (Per Section)	219.00
-DB	Bottom Dome Strainer (Per Outlet Section)	391.00
-DG	Duresist Grate (Per Section)	977.00
-ES	12" Extension Section (Specify Number of Sections Required)	Z 2,663.00 ZB 3,903.00 ZN 4,168.00
-G	Galvanized Cast Iron (Per Section)	878.00
-M	Side Outlet Adapter Via End Plate	524.00
-SB	Shallow Body (Bucket not available with this option.)	N/C
-SQ	Square Slotted Medium-Duty Grate (Per Section)	N/C
-TC	Neo-Loc Test Cap Gasket (2", 3", 4" NL Bottom Outlet Only)	36.00
-VP	Vandal-Proof Secured Top (Per Section)	334.00
-Y	Sediment Bucket (Per Outlet Section)	770.00

BEST SELLERS		LIST PRICE
Z665-3NL(3)-DB-DG-ES(12)		55,773.00
Z665-3NL-ES(23)		63,912.00
Z665-4NL		2,663.00
Z665-4NL-DB-DG-ES(8)		33,151.00
Z665-4NL-ES(18)		50,597.00
Z665-4NL-ES(19)		53,260.00
Z665-4NL-ES(23)		63,912.00
Z665-4NL-ES(31)		85,216.00
Z665-4NL-Y-ES(8)		24,737.00
Z665-6IG		2,663.00
Z665-6IG-ES(53)		143,802.00

\*Regularly furnished unless otherwise specified.

Items designated as Best Sellers are most specified and are generally in stock for shipment.

⌚ This symbol denotes a product that is engineered to reduce installation and rework time.

For additional product information, please visit [www.zurn.com](http://www.zurn.com)

Patent [zurn.com/patents](http://zurn.com/patents)

INTRO  
ROOF DRAINS  
FLOOR DRAINS  
I, P, BW VALVES  
INTERCEPTORS  
CARRIERS  
HYDRANTS  
CLEANOUTS  
WHA  
SS DRAINS  
SAN-FLOOR  
TECH INFO



## Z667 6" WIDE MEDIUM-DUTY MODULAR TRENCH DRAIN



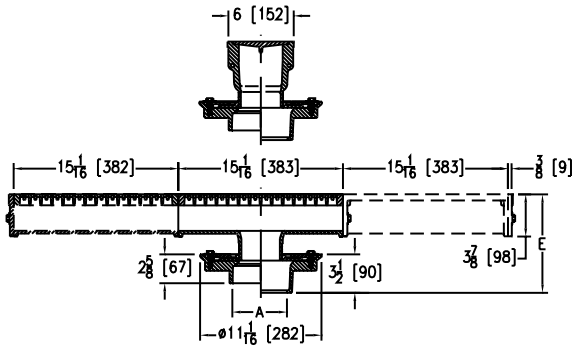
### ENGINEERING SPECIFICATION

Zurn Z667 6" wide top sectional trench drain features Dura-Coated cast iron bottom outlet section, vertically and horizontally adjustable in cast iron drain section, with seepage pan and membrane clamp. Both 15" long outlet module section and extension modules are complete with loose, medium-duty, slotted grate.

### NOTES

†Add 1/8" to 'E' dimension for ZN

A Pipe Size inch [mm]	Grate Open Area sq in [cm <sup>2</sup> ]	Approximate Weight lb [kg]
3 [76], 4 [102]	27 [174]	40 [18]



PREFIXES	DESCRIPTION	PIPE SIZE	LIST PRICE	
Z667*	D.C.C.I. Body and Top	3", 4"	1,380.00	
ZN667	D.C.C.I. Body with Polished Nickel Bronze Top	3", 4"	3,086.00	
OUTLETS (SPECIFY PIPE SIZE IN INCHES AND TYPE OF OUTLET)				
OUTLET TYPE	PIPE SIZE/ OUTLET TYPE	E BODY HT. DIM.	ADD	
NL	Neo-Loc	3NL, 4NL	7-15/16" min.; 8-11/16" max.	N/C
SUFFIXES			ADD	
-AR	Acid Resisting Epoxy Coated Cast Iron (Per Section)		746.00	
-ES	15" Extension Section (Specify Number of Sections Required)	Z	1,380.00	
		ZN	3,086.00	
-G	Galvanized Cast Iron (Per Section)		426.00	
-TC	Neo-Loc Test Cap Gasket (3", 4" NL Bottom Outlet Only)		36.00	
-TS	Top Secured with Slotted Screws (Per Section)		250.00	
-VP	Vandal-Proof Secured Top (Per Section)		334.00	
BEST SELLERS			LIST PRICE	
Z667-3NL-ES(1)			2,760.00	
Z667-3NL-ES(2)			4,140.00	
Z667-4NL-ES(7)			11,040.00	

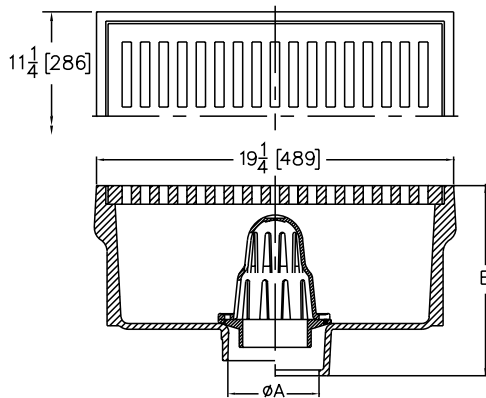
## Z668 11-1/4" X 19-1/4" HEAVY-DUTY DRAIN



### ENGINEERING SPECIFICATION

Zurn Z668 11-1/4" x 19-1/4" top drain features Dura-Coated cast iron body with bottom outlet, less seepage pan, secondary strainer, and loose, heavy-duty, slotted grate.

A Pipe Size inch [mm]	Grate Open Area sq in [cm <sup>2</sup> ]	Approximate Weight lb [kg]
4 [102], 6 [152]	60 [387]	115 [52]



PREFIXES	DESCRIPTION	PIPE SIZE	LIST PRICE	
Z668*	D.C.C.I. Body and Top	4", 6"	9,071.00	
OUTLETS (SPECIFY PIPE SIZE IN INCHES AND TYPE OF OUTLET)				
OUTLET TYPE	PIPE SIZE/ OUTLET TYPE	E BODY HT. DIM.	ADD	
IC	Inside Caulk	4IC	10-1/4"	N/C
IG	Inside Caulk w/ Sealrol Gasket	4IG	10-1/4"	N/C
IP	Threaded	4IP, 6IP	8-5/8"	114.00
NH	No-Hub (IP w/Z1040)	4NH, 6NH	11-1/8"	N/C
NL	Neo-Loc	4NL	9-1/2"	N/C
SUFFIXES			ADD	
-AR	Acid Resisting Epoxy Coated Cast Iron		5,177.00	
-DG	Duresist Grate		2,695.00	
-G	Galvanized Cast Iron		4,491.00	
-TC	Neo-Loc Test Cap Gasket (4" NL Bottom Outlet Only)		36.00	
-TS	Top Secured with Slotted Screws		291.00	
-V	Backwater Valve (See Z1099)		POA	
-VP	Vandal-Proof Secured Top		334.00	
BEST SELLERS			LIST PRICE	
Z668-4NH			9,071.00	
Z668-6NH			9,071.00	

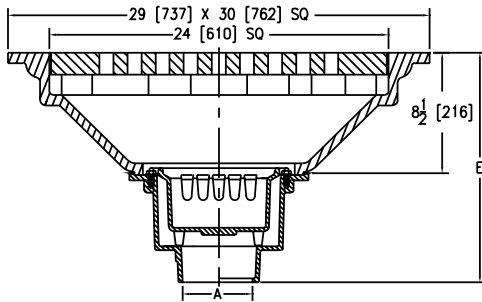
## Z673 29" X 30" EXTRA HEAVY-DUTY DRAIN



### ENGINEERING SPECIFICATION

Zurn Z673 29" x 30" top drain features Dura-Coated cast iron body with bottom outlet, seepage pan, and combination membrane flashing clamp and frame for cast iron, extra heavy-duty, loose, slotted grate with suspended sediment bucket.

A Pipe Size inch [mm]	Grate Open Area sq in [cm <sup>2</sup> ]	No. of Grates	Approximate Weight lb [kg]
4 [102]	166 [1071]	2	294 [133]
6 [152]			314 [142]



PREFIXES	DESCRIPTION	PIPE SIZE	LIST PRICE
<b>Z673*</b>	D.C.C.I. Body and Top	4", 6"	<b>58,366.00</b>

#### OUTLETS (SPECIFY PIPE SIZE IN INCHES AND TYPE OF OUTLET)

OUTLET TYPE	PIPE SIZE/OUTLET TYPE	E BODY HT. DIM.	ADD
<b>IP</b>	Threaded	4IP	<b>114.00</b>
<b>NH</b>	No-Hub	4NH, 6NH	<b>N/C</b>

#### SUFFIXES

SUFFIXES	DESCRIPTION	ADD
<b>-DG</b>	Duresist Grate	<b>19,955.00</b>
<b>-G</b>	Galvanized Cast Iron	<b>4,997.00</b>
<b>-SS</b>	Stainless Steel Mesh Liner for Bucket	<b>572.00</b>
<b>-TS</b>	Top Secured with Slotted Screws	<b>724.00</b>
<b>-VP</b>	Vandal-Proof Secured Top	<b>828.00</b>

#### BEST SELLER

BEST SELLER	LIST PRICE
Z673-4NH	<b>58,366.00</b>

\*Regularly furnished unless otherwise specified.

Items designated as Best Sellers are most specified and are generally in stock for shipment.

⌚ This symbol denotes a product that is engineered to reduce installation and rework time.

For additional product information, please visit [www.zurn.com](http://www.zurn.com)

Patent [zurn.com/patents](http://zurn.com/patents)

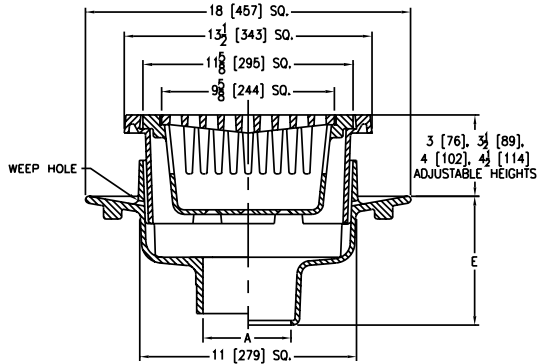
## Z675 13-1/2" EXTRA HEAVY-DUTY DRAIN



### ENGINEERING SPECIFICATION

Zurn Z675 13-1/2" square top drain features Dura-Coated cast iron body with bottom outlet, seepage pan, and vertically adjustable, four-position frame for Duresist extra heavy-duty, loose, slotted grate with suspended sediment bucket.

A Pipe Size inch [mm]	Grate Open Area sq in [cm <sup>2</sup> ]	Approximate Weight lb [kg]
3 [76], 4 [102], 6 [152]	72 [465]	110 [50]



PREFIXES	DESCRIPTION	PIPE SIZE	LIST PRICE
Z675*	D.C.C.I. Body and Duresist Top	3", 4", 6"	4,518.00
OUTLETS (SPECIFY PIPE SIZE IN INCHES AND TYPE OF OUTLET)			
OUTLET TYPE	PIPE SIZE/ OUTLET TYPE	E BODY HT. DIM.	ADD
IC	Inside Caulk	4IC	7-1/8" N/C
IG	Inside Gasket	4IG	7-1/8" N/C
IP	Threaded	3IP, 4IP, 6IP	7-1/8" 114.00
NH	No-Hub (IP w/Z1040)	3NH, 4NH, 6NH	9-5/8" See Z1040
NL	Neo-Loc	3NL, 4NL	7-5/8" N/C
SUFFIXES			ADD
-AR	Acid Resisting Epoxy Coated Cast Iron		2,440.00
-C	Clamp Collar		780.00
-G	Galvanized Cast Iron		2,310.00
-TS	Top Secured with Slotted Screws		180.00
-VP	Vandal-Proof Secured Top		206.00
BEST SELLERS			LIST PRICE
Z675-4IC-C			5,298.00
Z675-4IC-C-VP			5,504.00
Z675-4IG-AR-C-VP			7,944.00

## Z676 13-1/2" EXTRA HEAVY-DUTY DRAIN



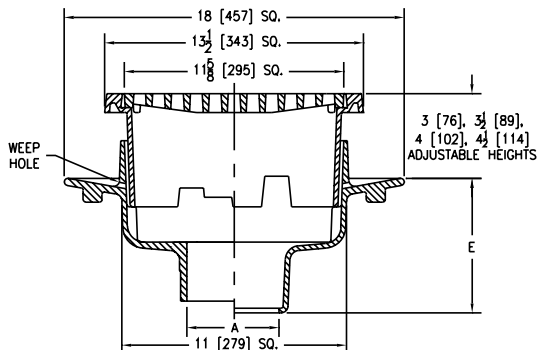
### ENGINEERING SPECIFICATION

Zurn Z676 13-1/2" square top drain features Dura-Coated cast iron body with bottom outlet, seepage pan, and vertically adjustable, four-position frame for Duresist extra heavy-duty, loose, slotted grate.

### NOTES

\*Add 3/4" to 13-1/2" dimension and 3/16" to 'E' dimension for ZN

A Pipe Size inch [mm]	Grate Open Area sq in [cm <sup>2</sup> ]	Approximate Weight lb [kg]
3 [76], 4 [102], 6 [152]	72 [465]	95 [43]



PREFIXES	DESCRIPTION	PIPE SIZE	LIST PRICE
Z676*	D.C.C.I. Body and Top	3", 4", 6"	4,255.00
ZN676	D.C.C.I. Body with Polished Nickel Bronze Top	3", 4", 6"	6,192.00
OUTLETS (SPECIFY PIPE SIZE IN INCHES AND TYPE OF OUTLET)			
OUTLET TYPE	PIPE SIZE/ OUTLET TYPE	E BODY HT. DIM.	ADD
IC	Inside Caulk	4IC	7-1/8" N/C
IG	Inside Gasket	4IG	7-1/8" N/C
IP	Threaded	3IP, 4IP, 6IP	7-1/8" 114.00
NH	No-Hub (IP w/Z1040)	3NH, 4NH, 6NH	9-5/8" See Z1040
NL	Neo-Loc	3NL, 4NL	7-5/8" N/C
SUFFIXES			ADD
-AR	Acid Resisting Epoxy Coated Cast Iron		2,440.00
-C	Clamp Collar		780.00
-G	Galvanized Cast Iron		2,310.00
-TS	Top Secured with Slotted Screws		180.00
-VP	Vandal-Proof Secured Top		206.00
-Y	Sediment Bucket		255.00
BEST SELLER			LIST PRICE
Z676-6IP-G-Y			6,934.00

# Z730 9" TOP MEDIUM-DUTY DRAIN

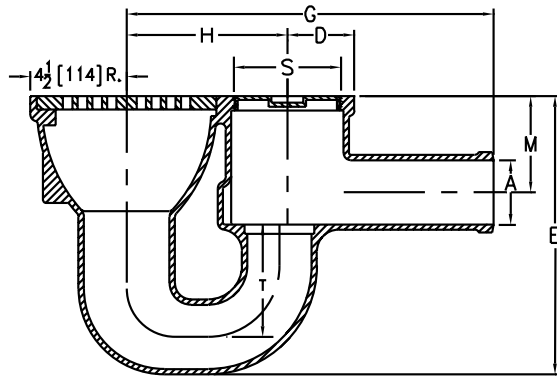


## ENGINEERING SPECIFICATION

Zurn Z730 9" diameter top drain features Dura-Coated cast iron body with integral double wall trap and side outlet, bronze floor level cleanout plug, and medium-duty, loose, slotted grate.

## NOTES

†Add 3/16" to M and E dimensions for ZN



PREFIXES	DESCRIPTION	PIPE SIZE	LIST PRICE
<b>Z730*</b>	D.C.C.I. Body and Top	3"	2,851.00
		4"	4,089.00
<b>ZN730</b>	D.C.C.I. Body with Polished Nickel Bronze Top	3"	3,947.00
		4"	5,673.00
OUTLETS (SPECIFY PIPE SIZE IN INCHES AND TYPE OF OUTLET)			
OUTLET TYPE	PIPE SIZE/OUTLET TYPE	E BODY HT. DIM.	LIST PRICE
<b>SP</b>	Spigot	3SP	N/C
		4SP	N/C
SUFFIXES			ADD
<b>-DG</b>	Duresist Grate		355.00
<b>-G</b>	Galvanized Cast Iron		1,024.00
<b>-J</b>	Auxiliary Inlet Connection		474.00
<b>-K</b>	Anchor Flange (3SP Only)		N/C
<b>-P</b>	Trap Primer Connection		207.00
<b>-V</b>	Backwater Valve	3"	903.00
		4"	984.00
<b>-VP</b>	Vandal-Proof Secured Top		206.00
<b>-Y</b>	Sediment Bucket		173.00
BEST SELLER			LIST PRICE
ZN730-3SP-K-VP-Y			4,326.00

Dimensions in inches [mm]							Grate Open Area sq in [cm <sup>2</sup> ]	Approximate Weight lb [kg]
A Pipe Size	Cleanout Plug Size S	Rad. D	G	H	M	T		
3 [76]	4-1/2 [114] NPT	3-1/8 [79]	17-1/8 [203]	7-1/2 [191]	4-1/4 [108]	4 [102]	23 [148]	54 [24]
4 [102]	5-1/2 [140] NPT	3-5/8 [92]	19-3/8 [238]		4-3/4 [121]	5 [127]		79 [36]

\*Regularly furnished unless otherwise specified.

Items designated as Best Sellers are most specified and are generally in stock for shipment.

⌚ This symbol denotes a product that is engineered to reduce installation and rework time.

For additional product information, please visit [www.zurn.com](http://www.zurn.com)

Patent [zurn.com/patents](http://zurn.com/patents)

INTRO ROOF DRAINS FLOOR DRAINS T, P, BW VALVES INTERCEPTORS CARRIERS HYDRANTS CLEANOUTS WHA SS DRAINS SANI-FLOOR TECH INFO

## Z742 LIGHT-DUTY TRAP DRAIN

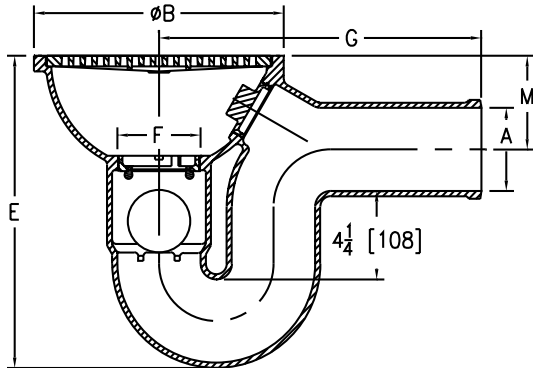


### ENGINEERING SPECIFICATION

Zurn Z742 8", 10" or 12" diameter top drain features Dura-Coated cast iron body with integral double wall trap and side outlet, ball float type backwater valve, internal bronze cleanout, and light-duty, loose, slotted grate.

### NOTES

†Add 3/16" to 'E' dimension for ZB and ZN



PREFIXES	DESCRIPTION	PIPE SIZE	LIST PRICE
<b>Z742*</b>	D.C.C.I. Body and Top	2"	1,221.00
		3"	1,680.00
		4"	2,350.00
<b>ZB742</b>	D.C.C.I. Body with Polished Bronze Top	2"	1,757.00
		3"	2,225.00
		4"	2,895.00
<b>ZN742</b>	D.C.C.I. Body with Polished Nickel Bronze Top	2"	1,814.00
		3"	2,280.00
		4"	2,942.00

OUTLETS (SPECIFY PIPE SIZE IN INCHES AND TYPE OF OUTLET)				
OUTLET TYPE		PIPE SIZE/OUTLET TYPE	E BODY HT. DIM.	LIST PRICE
SP	Spigot	2SP	10-3/4"	N/C
		3SP	12-3/4"	N/C
		4SP	15"	N/C
SUFFIXES				ADD
-G	Galvanized Cast Iron			669.00
-TS	Top Secured with Slotted Screws			180.00
-VP	Vandal-Proof Secured Top			206.00
				DEDUCT
-LV	Less Backwater Valve		2"	(137.00)
			3", 4"	(269.00)
BEST SELLER				LIST PRICE
Z742-4SP				2,350.00

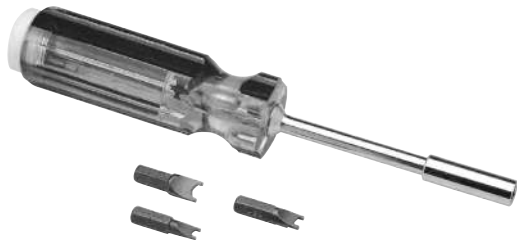
Dimensions in inches [mm]					Grate Open Area sq in [cm <sup>2</sup> ]	Approximate Weight lb [kg]
A Pipe Size	F	B	G	M		
2 [51]	2 [51]	8-1/4 [210]	10-1/8 [203]	3-1/2 [89]	13 [84]	17 [8]
3 [76]	3-1/2 [89]	10-1/2 [267]	12-1/2 [318]	4 [102]	19 [122]	36 [16]
4 [102]		12 [305]	15-1/2 [140]	4-1/2 [114]	40 [258]	54 [24]

## VP-DRIVER VANDAL-PROOF DRIVER

### ENGINEERING SPECIFICATION

Zurn vandal proof screwdriver

PREFIXES	DESCRIPTION	LIST PRICE
<b>VP-Driver</b>	Vandal-Proof Driver	57.00



# TRAPS, PRIMERS, AND BACKWATER VALVES

TRAPS, PRIMERS, AND BACKWATER VALVES – APPLICATION INDEX	142
TRAPS, PRIMERS, AND BACKWATER VALVES – OPTIONS AND VARIATIONS	142
<b>Z1072</b> ZSHIELD™ BARRIER TRAP SEAL DEVICE FOR FLOOR DRAINS	143
<b>Z1000</b> DEEP SEAL TRAP	144
<b>Z1019</b> FUNNEL DRAIN WITH "P" TRAP	144
<b>Z1020XL</b> ELECTRONIC TRAP PRIMER	145
<b>Z1021</b> WATER SAVER TRAP PRIMER WITH 1-1/2" COPPER SWEAT WALL CONNECTION	145
<b>Z1022-XL</b> LEAD-FREE SANI-GARD AUTOMATIC TRAP PRIMER	146
<b>Z1023</b> TRAP PRIMER CONNECTION ADAPTER	146
<b>Z1024</b> FIXED AIR GAP	147
<b>Z1025</b> FIXED AIR GAP	147
<b>Z1030</b> HUB ADAPTER	148
<b>Z1032</b> INSIDE CAULK REDUCER	148
<b>Z1033</b> FEMALE PIPE THREAD REDUCER	149
<b>Z1034</b> FEMALE PIPE ECCENTRIC REDUCER	149
🕒 <b>Z1035</b> FLOOR DRAIN INSTALLATION STABILIZER	150
🕒 <b>Z1035-Q</b> STRUCTURAL DECK DRAIN STABILIZER	150
🕒 <b>Z1036</b> FLOOR DRAIN INSTALLATION STABILIZER	151
<b>Z1040</b> NO-HUB ADAPTER	151
<b>Z1042</b> ELBOW ADAPTER	152
<b>Z1088</b> BACKWATER VALVE GATE TYPE	152
<b>Z1090</b> BACKWATER VALVE FLAPPER TYPE	153
<b>Z1091</b> BACKWATER VALVE FLAPPER TYPE	153
<b>Z1095</b> BACKWATER VALVE FLAPPER TYPE	154
<b>Z1099</b> BACKWATER VALVE BALL FLOAT TYPE	155

## TRAPS, PRIMERS, AND BACKWATER VALVES – APPLICATION INDEX

APPLICATION	RECOMMENDED DRAINAGE PRODUCT
Deep Seal Trap	Z1000, Z1019, Z1021
Trap Primer	Z1020, Z1021, Z1022
Trap Primer Connection Adapter	Z1023
Fixed Air Gap	Z1024, Z1025
Pipe Thread to Hub Adapter	Z1030
Inside Caulk Reducing Ring	Z1032
Iron Pipe Flush Bushing	Z1033
Eccentric Iron Pipe Threaded Bushing	Z1034
Floor Drain Stabilizer Plate	Z1035, Z1035-Q, Z1036
Pipe Thread to 90° No-Hub Adapter	Z1040
Pipe Thread to 90° No-Hub Elbow Adapter	Z1042
Gate Type Sanitary Sewer Backwater Valve	Z1088
Storm Sewer Backwater Valve	Z1088, Z1090, Z1091, Z1095
Bottom Outlet Floor Drain Backwater Valve	Z1099

## TRAPS, PRIMERS, AND BACKWATER VALVES – OPTIONS AND VARIATIONS

All Zurn backwater valve and trap optional variations are specified as a prefix and/or suffix letter or number added to the series designation. Below are the available options.

PREFIXES	DESCRIPTION	SUFFIXES	DESCRIPTION
<b>Z</b>	Standard Assembly or D.C.C.I. Body	<b>-DU3</b>	3-Outlet Distribution Unit
<b>ZAB</b>	Bronze Body with Polished Bronze Top	<b>-DU4</b>	4-Outlet Distribution Unit
<b>ZABN</b>	Bronze Body with Polished Nickel Bronze Top	<b>-FC</b>	Adjustable Floor Cleanout (See Z1400)
<b>ZARB</b>	All Plain Bronze Body	<b>-FL</b>	Flushing Connection
<b>ZB</b>	D.C.C.I. Body with Polished Bronze Top	<b>-F6</b>	6" Diameter Funnel
<b>ZN</b>	D.C.C.I. Body with Polished Nickel Bronze Top	<b>-G</b>	Galvanized Cast Iron
		<b>-LC</b>	Less Cleanout and Plug
<b>SUFFIXES</b>	<b>DESCRIPTION</b>	<b>-P</b>	Trap Primer Connection (1/2" or 3/4")
<b>-AR</b>	Acid Resisting Epoxy Coated Finish	<b>-V</b>	Backwater Valve
<b>-BP</b>	Bronze Threaded Plug Cover	<b>-WH</b>	Wheel Handle
<b>-BC</b>	Bolted Cover	<b>-WL</b>	One-Piece Waste Elbow
<b>-BV</b>	Bronze Flapper Valve	<b>-3</b>	3/4" Connection
<b>-C</b>	Clamping Collar	<b>-7</b>	7" Long Adapter
<b>-CP</b>	Chrome-Plated Finish	<b>-12</b>	12" Extension
<b>-DS</b>	Dome Strainer	<b>-24</b>	24" Extension
<b>-DU</b>	Additional Distribution Units		
<b>-DU2</b>	2-Outlet Distribution Unit		

# Z1072 ZSHIELD™ BARRIER TRAP SEAL DEVICE FOR FLOOR DRAINS

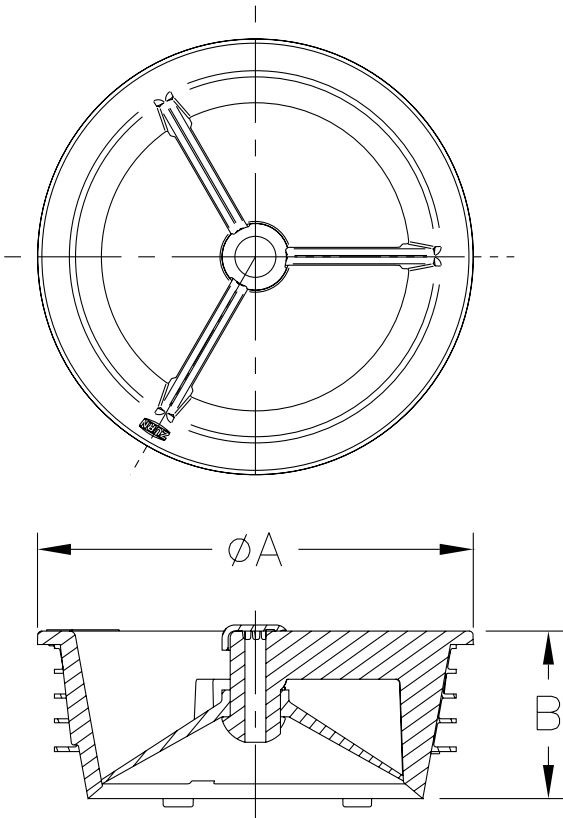


## ENGINEERING SPECIFICATION

Zurn Z1072 ZShield Barrier trap seal device for use with floor drains to minimize trap evaporation. Product is comprised of an ABS rigid structure, silicone gasket and seal for 2", 3", 3-1/2", and 4" sizes. Device is engineered to comply with the performance requirements of ASSE 1072 standard and is third party listed with IAPMO (UPC), ICC (ICC cES PMG) and ASSE.

## NOTE

-TSP Suffix Option listed on select drains



Product Designation	Dimensions in inches [mm]		ASSE 1072 Required Flow Rate G.P.M [L.P.M]
	A Pipe Size	B	
-2	2.20 [56]	1.22 [31]	12 [45.4]
-3	3.25 [83]	1.25 [32]	34 [128.7]
-3.5	3.53 [90]	1.30 [33]	52 [196.8]
-4	4.13 [105]	1.30 [33]	73 [276.4]

PREFIXES	DESCRIPTION	PRODUCT DESIG.	PIPE SIZE	LIST PRICE
Z1072	ABS Rigid Body with Silicone Gasket and Seal	-2	2"	176.00
		-3	3"	184.00
		-3.5	3-1/2"	193.00
		-4	4"	210.00

\*Regularly furnished unless otherwise specified.

Items designated as Best Sellers are most specified and are generally in stock for shipment.

⌚ This symbol denotes a product that is engineered to reduce installation and rework time.

For additional product information, please visit [www.zurn.com](http://www.zurn.com)  
 Patent [zurn.com/patents](http://zurn.com/patents)

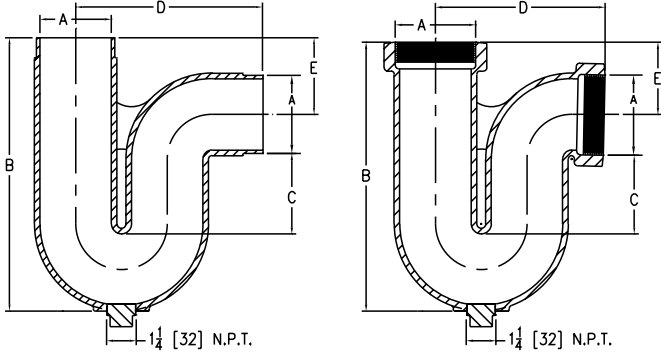


## Z1000 DEEP SEAL TRAP



### ENGINEERING SPECIFICATION

Zurn Z1000 deep seal trap features Dura-Coated cast iron body with bottom bronze cleanout plug.



BEST SELLERS	LIST PRICE
Z1000-3NH-P	1,248.00
Z1000-4NH	1,521.00

A Pipe Size/ Outlet Type	Dimensions in inches [mm]				Approximate Weight lb [kg]
	B	C	D	E	
<b>Threaded (IP)</b>					
2IP	9-1/2 [241]	4 [102]	5-7/8 [149]	1-3/4 [44]	8 [4]
3IP	13 [330]	5 [127]	7-1/2 [191]	3 [76]	17 [8]
4IP	15 [381]		9-1/2 [241]	4 [102]	32 [15]
<b>No-Hub (NH)</b>					
2NH	10-1/2 [267]	4 [102]	6-1/2 [165]	2-3/4 [70]	8 [4]
3NH	13-1/2 [343]	5 [127]	8 [203]	3-1/2 [89]	17 [8]
4NH	15-1/4 [387]		9-1/2 [241]	4-1/4 [108]	32 [15]

PREFIXES	DESCRIPTION	A PIPE SIZE	LIST PRICE
Z1000*	D.C.C.I. Body	2"	665.00
		3"	1,019.00
		4"	1,521.00

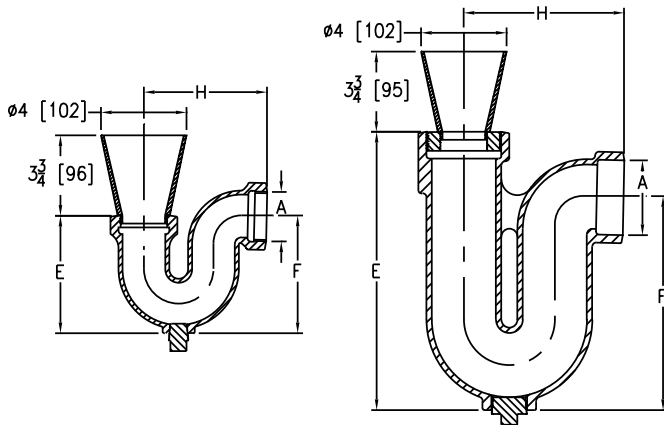
CONNECTION DESIGNATION (SPECIFY PIPE SIZE IN INCHES AND TYPE OF CONNECTION)			
CONNECTION TYPE		PIPE SIZE/OUTLET TYPE	ADD
IP	Threaded	2IP, 3IP, 4IP	N/C
NH	No-Hub	2NH, 3NH, 4NH	N/C
SUFFIXES		PIPE SIZE	ADD
-FL	Flushing Connection		229.00
-G	Galvanized Cast Iron	2"	193.00
		3"	449.00
		4"	706.00
-P	Trap Primer Connection (Specify 1/2" or 3/4")		229.00

## Z1019 FUNNEL DRAIN WITH "P" TRAP



### ENGINEERING SPECIFICATION

Zurn Z1019 Dura-Coated cast iron combination funnel and trap drain comes complete with bronze bottom cleanout plug.



A Pipe Size/ Outlet Type	Dimensions in inches [mm]			Approximate Weight lb [kg]
	E	F	H	
<b>Threaded (IP)</b>				
2IP	4-1/4 [108]	5-1/2 [140]	5-3/4 [146]	10 [5]
3IP	13 [330]	10 [254]	7-1/2 [191]	19 [9]

PREFIXES	DESCRIPTION	A PIPE SIZE	LIST PRICE
Z1019*	D.C.C.I. Body and Top	2"	1,103.00
		3"	1,287.00
ZAB1019	Bronze Body with Polished Bronze Top	2"	1,962.00
		3"	2,139.00
ZABN1019	Bronze Body with Polished Nickel Bronze Top	2"	2,073.00
		3"	2,252.00

CONNECTION DESIGNATION (SPECIFY PIPE SIZE IN INCHES AND TYPE OF CONNECTION)			
CONNECTION TYPE		PIPE SIZE/OUTLET TYPE	ADD
IP	Threaded	2IP, 3IP	N/C
SUFFIXES		PIPE SIZE	ADD
-AR	Acid Resisting Epoxy Coated Finish		433.00
-DS	Dome Strainer		100.00
-F6	6" High x 6" Diameter Funnel	Z	168.00
		ZAB, ZABN	251.00
-G	Galvanized Cast Iron Body		469.00
BEST SELLER		LIST PRICE	
Z1019-2IP			1,103.00

For additional product information, please visit [www.zurn.com](http://www.zurn.com)  
Patent [zurn.com/patents](http://zurn.com/patents)

\*Regularly furnished unless otherwise specified.

Items designated as Best Sellers are most specified and are generally in stock for shipment.

Ⓢ This symbol denotes a product that is engineered to reduce installation and rework time.

## Z1020XL ELECTRONIC TRAP PRIMER



### ENGINEERING SPECIFICATION

Zurn Z1020XL factory programmed, 5-port, lead-free electronic trap primer provides a six second water injection to traps every twenty-four hours.<sup>†</sup> Trap primer features a galvanized steel combination surface or recessed housing and cover, 1/2" solder copper inlet connection, brass ball-type stop valve, slow-closing 24 VAC solenoid valve with integral strainer, 120-24 VAC transformer, brass atmospheric vacuum breaker, PEX waterway, and anti-scaling multi-port manifold with five 1/2" male PEX outlet connections.

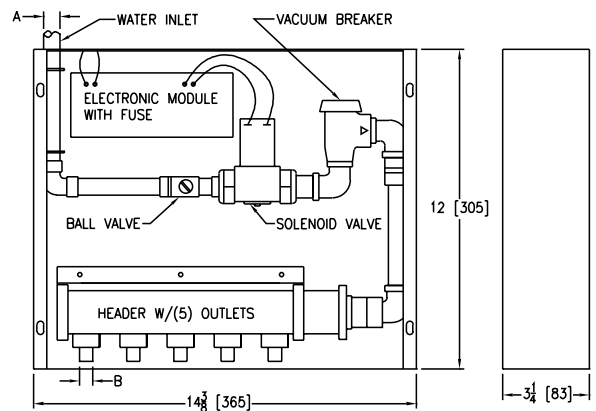
Min. Pressure: 3 psi  
 Working Pressure: 20 to 100 psig  
 Default Settings:  
 -Frequency: 24 hours  
 -Injection Time: 6 seconds  
 -Volume: 2 oz. min. per port

### NOTE

<sup>†</sup>Regularly furnished unless otherwise specified. Alternative flow settings are available upon request.

Dimensions in inches [mm]		Approximate Weight lb [kg]
A Inlet Pipe Size	B Outlet Pipe Size	
1/2 [13] Solder	1/2 [13] PEX Connection	12 [5]

PREFIXES	DESCRIPTION	LIST PRICE
<b>Z1020XL*</b>	PEX Waterway	<b>6,135.00</b>
SUFFIXES		ADD
<b>-CW</b>	Copper Waterway (with 1/2" Female IPS Connection)	<b>669.00</b>
<b>-DU4</b>	Additional Distribution Units with Copper Waterway (Specify quantity. Contact Zurn for sizing specifications)	<b>533.00</b>
<b>-VP</b>	Vandal-Proof Secured Cover with Vandal-Proof Driver	<b>83.00</b>
<b>-10</b>	Ten Outlets	<b>836.00</b>
BEST SELLERS		LIST PRICE
Z1020XL-10		<b>6,971.00</b>
Z1020XL-10-CW		<b>7,640.00</b>
Z1020XL-5		<b>6,135.00</b>
Z1020XL-5-CW		<b>6,804.00</b>

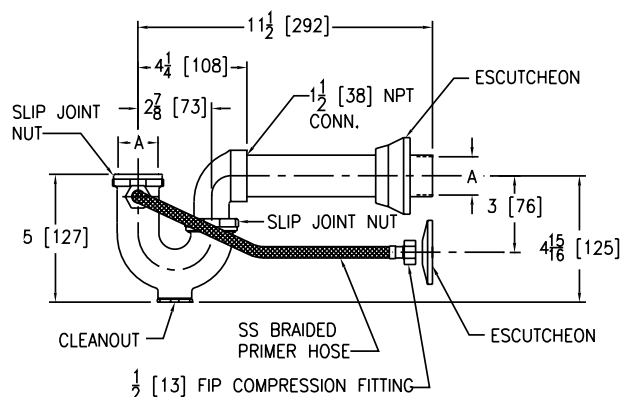


## Z1021 WATER SAVER TRAP PRIMER WITH 1-1/2" COPPER SWEAT WALL CONNECTION



### ENGINEERING SPECIFICATION

Zurn 1021 water saver trap primer features chrome-plated, polished cast brass body with cleanout, ground joint elbow with 1-1/2" NPT outlet, 1-1/2" slip nuts and washers, and reducing washer for 1-1/4" sink tail piece hookup, escutcheons, and stainless steel braided primer hose with 1/2" FIP compression fittings.



Dimensions in inches [mm]		Approximate Weight lb [kg]
A Pipe Size		
1-1/2 [38]		2 [1]

PREFIXES	DESCRIPTION	LIST PRICE
<b>Z1021*</b>	Polished Chrome Plated	<b>882.00</b>
SUFFIXES		ADD
<b>-WL</b>	One-piece Waste Elbow (For Slip Joint Wall Connection)	<b>157.00</b>
BEST SELLERS		LIST PRICE
Z1021-1-1/2		<b>882.00</b>
Z1021-1-1/2-WL		<b>1,039.00</b>

<sup>†</sup>Regularly furnished unless otherwise specified.

Items designated as Best Sellers are most specified and are generally in stock for shipment.

⌚ This symbol denotes a product that is engineered to reduce installation and rework time.

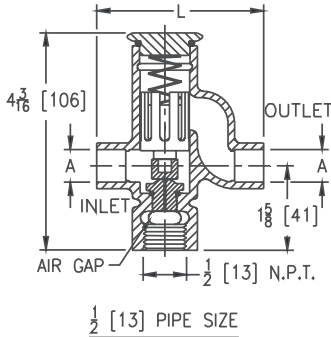
For additional product information, please visit [www.zurn.com](http://www.zurn.com)  
 Patent [zurn.com/patents](http://zurn.com/patents)

## Z1022-XL LEAD-FREE SANI-GARD AUTOMATIC TRAP PRIMER



### ENGINEERING SPECIFICATION

Zurn Z1022-XL lead-free sani-gard automatic trap primer features an all bronze body with integral vacuum breaker, non-liming internal operating piston, stainless steel spring, removable bronze seat with metering orifice, and sealed bronze cover.



Dimensions in inches [mm]		Approximate Weight lb [kg]
A Pipe Size/Connection	L	
1/2 [13] Solder Female 1/2 [13] IP Female	3-7/32 [82]	1 [0.5]
1/2 [13] Solder Female Union	5-21/32 [144]	1.5 [0.7]
1/2 [13] IP Female Union	5-11/32 [136]	

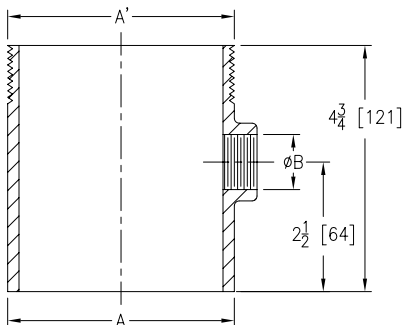
PREFIXES	DESCRIPTION	LIST PRICE	
<b>Z1022-XL*</b>	All Plain Bronze Body	See Connection Type for Pricing	
CONNECTION DESIGNATION (SPECIFY PIPE SIZE IN INCHES AND TYPE OF CONNECTION)			
CONNECTION TYPE	PIPE SIZE/OUTLET TYPE	ADD	
<b>SF</b>	1/2" Solder Female	1/2 SF	446.00
<b>IP</b>	1/2" IP Female	1/2 IP	446.00
<b>SFU</b>	1/2" Solder Female Union	1/2 SFU	677.00
<b>IPU</b>	1/2" IP Female Union	1/2 IPU	677.00
SUFFIXES		ADD	
<b>-CP</b>	Chrome-Plated Finish	700.00	
<b>-DU2</b>	2-Outlet Distribution Unit	460.00	
<b>-DU3</b>	3-Outlet Distribution Unit	523.00	
<b>-DU4</b>	4-Outlet Distribution Unit	590.00	
<b>-RK</b>	Repair Kit	218.00	
BEST SELLERS		LIST PRICE	
Z1022-XL-1/2-IP		446.00	
Z1022-XL-1/2-IPU		677.00	
Z1022-XL-1/2-SF		446.00	
Z1022-XL-1/2-SFU		677.00	

## Z1023 TRAP PRIMER CONNECTION ADAPTER



### ENGINEERING SPECIFICATION

Zurn Z1023 trap primer connection adapter features Dura-Coated cast iron body with 1/2" female threaded side inlet trap primer connection.



Dimensions in inches [mm]		Approximate Weight lb [kg]
A x A'	B	
No-Hub x No-Hub		
2NH x 2NH	1/2 [13]	2 [1]
3NH x 3NH		4 [2]
4NH x 4NH		6 [3]
Threaded x No-Hub		
2IP x 2NH	1/2 [13]	2 [1]
3IP x 3NH		4 [2]
4IP x 4NH		6 [3]

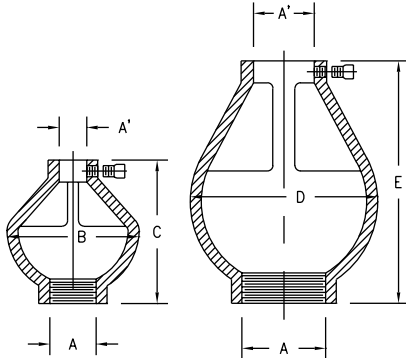
PREFIXES	DESCRIPTION	PIPE SIZE	LIST PRICE
<b>Z1023*</b>	D.C.C.I. Body	2", 3", 4"	See Connection Type for Pricing
CONNECTION DESIGNATION (SPECIFY PIPE SIZE IN INCHES AND TYPE OF CONNECTION)			
CONNECTION TYPE	PIPE SIZE/OUTLET TYPE	ADD	
<b>NH x NH</b>	No-Hub x No-Hub	2NH x 2NH, 3NH x 3NH, 4NH x 4NH	297.00
<b>IP x NH</b>	Threaded x No-Hub	2IP x 2NH, 3IP x 3NH, 4IP x 4NH	297.00
SUFFIXES		ADD	
<b>-G</b>	Galvanized Cast Iron Body	151.00	
BEST SELLERS		LIST PRICE	
Z1023-2NH		297.00	
Z1023-3NH		297.00	
Z1023-4NH		297.00	

## Z1024 FIXED AIR GAP



### ENGINEERING SPECIFICATION

Zurn Z1024 fixed air gap features Dura-Coated cast iron body with slip joint inlet and NPT outlet.



Product Designation	Dimensions in inches [mm]					Approximate Weight lb [kg]
	A' x A SJ x N.P.T.	B	C	D	E	
-1	1/4 [6] x 3/4 [19]	3 [76]	3-1/4 [83]	-	-	1 [0.5]
-2	1/2 [13] x 3/4 [19]	-	-	-	-	3 [1]
-3	1/2 [13] x 1 [25]	-	-	4-1/4 [108]	5-1/2 [140]	
-4	3/4 [19] x 1-1/2 [38]	-	-	-	-	
-5	1 [25] x 1-1/2 [38]	-	-	-	-	

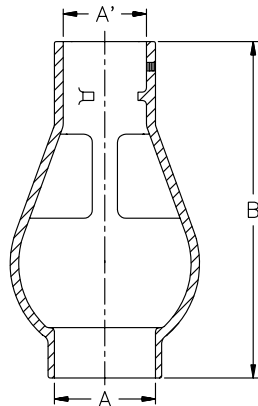
PREFIXES	DESCRIPTION	PRODUCT DESIG.	PIPE SIZE/OUTLET TYPE	LIST PRICE
<b>Z1024*</b>	D.C.C.I. Body	-1	1/4SJ x 3/4N.P.T.	<b>478.00</b>
		-2	1/2SJ x 3/4N.P.T.	<b>478.00</b>
		-3	1/2SJ x 1N.P.T.	<b>521.00</b>
		-4	3/4SJ x 1-1/2N.P.T.	<b>662.00</b>
		-5	1SJ x 1-1/2N.P.T.	<b>662.00</b>
<b>SUFFIXES</b>				<b>ADD</b>
<b>-G</b>	Galvanized Cast Iron			<b>313.00</b>
<b>BEST SELLER</b>				<b>LIST PRICE</b>
Z1024-5				<b>662.00</b>

## Z1025 FIXED AIR GAP



### ENGINEERING SPECIFICATION

Zurn Z1025 fixed air gap features Dura-Coated cast iron body with slip joint inlet and no-hub outlet.



Product Designation	Dimensions in inches [mm]		Approximate Weight lb [kg]
	A' x A SJ x NH	B	
-2	1-1/2 [38] x 2 [51]	10 [254]	4 [2]
-3	2 [51] x 3 [76]		8 [4]
-4	3 [76] x 4 [102]		20 [9]
-6	4 [102] x 6 [152]		32 [15]

PREFIXES	DESCRIPTION	PRODUCT DESIG.	PIPE SIZE/OUTLET TYPE	LIST PRICE
<b>Z1025*</b>	D.C.C.I. Body	-2	1-1/2SJ x 2NH	<b>459.00</b>
		-3	2SJ x 3NH	<b>554.00</b>
		-4	3SJ x 4NH	<b>806.00</b>
		-6	4SJ x 6NH	<b>1,895.00</b>
<b>ZARB1025</b>	All Plain Bronze Body	-2	1-1/2SJ x 2NH	<b>999.00</b>
		-3	2SJ x 3NH	<b>1,497.00</b>
		-4	3SJ x 4NH	<b>1,968.00</b>
		-6	4SJ x 6NH	<b>5,334.00</b>
<b>SUFFIXES</b>				<b>ADD</b>
<b>-G</b>	Galvanized Cast Iron			<b>313.00</b>
<b>BEST SELLERS</b>				<b>LIST PRICE</b>
Z1025-2				<b>459.00</b>
Z1025-4				<b>806.00</b>

\*Regularly furnished unless otherwise specified.

Items designated as Best Sellers are most specified and are generally in stock for shipment.

⌚ This symbol denotes a product that is engineered to reduce installation and rework time.

For additional product information, please visit [www.zurn.com](http://www.zurn.com)

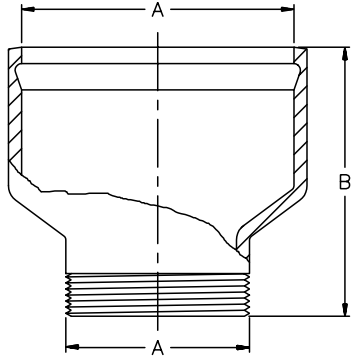
Patent [zurn.com/patents](http://zurn.com/patents)

## Z1030 HUB ADAPTER



### ENGINEERING SPECIFICATION

Zurn Z1030 hub adapter features Dura-Coated cast iron with male NPT threaded and hub connections.



Product Designation	Dimensions in inches [mm]		Approximate Weight lb [kg]
	Pipe Size		
	A	B	
-2	2 [51]	4-1/4 [108]	3 [1]
-3	3 [76]	4-3/8 [111]	5 [2]
-4	4 [102]	4-3/4 [121]	6 [3]
-6	6 [152]	5 [127]	9 [4]

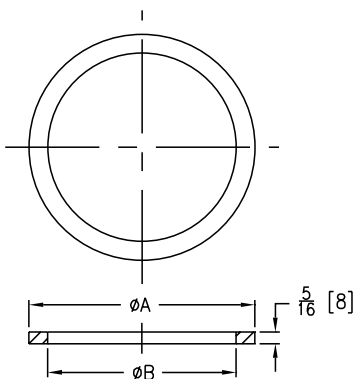
PREFIXES	DESCRIPTION	PRODUCT DESIG.	PIPE SIZE/OUTLET TYPE	LIST PRICE
<b>Z1030*</b>	D.C.C.I. Body with Threaded x Hub Connection Type	-2	2IP x 2HB	<b>151.00</b>
		-3	3IP x 3HB	<b>272.00</b>
		-4	4IP x 4HB	<b>368.00</b>
		-6	6IP x 6HB	<b>691.00</b>
SUFFIXES		PIPE SIZE	ADD	
<b>-G</b>	Galvanized Cast Iron	2", 3", 4"		<b>125.00</b>
		6"		<b>193.00</b>

## Z1032 INSIDE CAULK REDUCER



### ENGINEERING SPECIFICATION

Zurn Z1032 inside caulk features Dura-Coated Steel reducing ring.



Product Designation	Dimensions in inches [mm]		Approximate Weight lb [kg]
	Pipe Size		
	A	B	
-3 x 2	3 [76]	2 [51]	1 [0.5]
-4 x 2	4 [102]	3 [76]	
-4 x 3		4 [102]	
-6 x 4	6 [152]	5 [127]	1.5 [0.7]
-6 x 5			

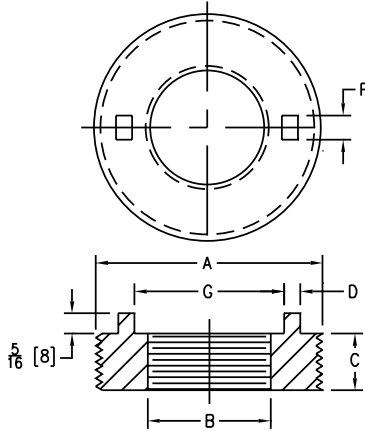
PREFIXES	DESCRIPTION	PRODUCT DESIG.	LIST PRICE
<b>Z1032*</b>	Dura-Coated Cast Iron Reducing Ring	-3 x 2	<b>75.00</b>
		-4 x 2	<b>91.00</b>
		-4 x 3	<b>122.00</b>
		-6 x 4	<b>181.00</b>
		-6 x 5	<b>215.00</b>

## Z1033 FEMALE PIPE THREAD REDUCER



### ENGINEERING SPECIFICATION

Zurn Z1033 female pipe thread reducer features cast iron construction and is available in ranging sizes.



PREFIXES	DESCRIPTION	PRODUCT DESIG.	LIST PRICE
Z1033*	Male Thread x Female Thread Cast Iron Reducer	-1 x .75	130.00
		-1.5 x 1.25	130.00
		-2 x 1.25	130.00
		-2 x 1.5	130.00
		-3 x 1.5	152.00
		-3 x 2	289.00
		-4 x 2	166.00
		-4 x 3	166.00
		-6 x 4	215.00
-6 x 5	215.00		

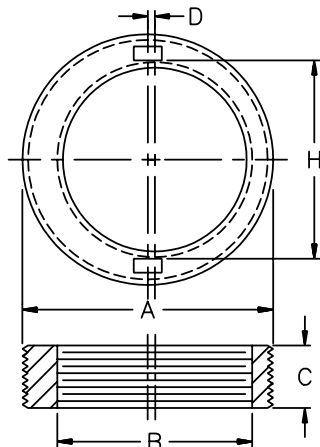
Product Designation	Dimensions in inches [mm]						Approximate Weight lb [kg]
	A	B	C	D	F	G	
-1 x .75	1 [25]	3/4 [19]	7/16 [11]	-	-	-	.5 [.25]
-1.5 x 1.25	1-1/2 [38]	1-1/4 [32]	1/2 [13]	-	-	-	
-2 x 1.25	2 [51]		1-1/2 [38]	9/16 [14]	1/8 [3]	3/8 [9]	1-29/32 [48]
-2 x 1.5		3 [76]		2 [51]	7/8 [22]		1/4 [6]
-3 x 1.5	4 [102]		3 [76]		1-1/8 [29]	1/2 [13]	
-3 x 2		6 [152]		4 [102]			5/16 [8]
-4 x 2	5 [127]		5 [127]		5/16 [8]	5/16 [8]	
-4 x 3		6 [152]		5 [127]			5/16 [8]
-6 x 4	6 [152]		5 [127]		5/16 [8]	5/16 [8]	
-6 x 5		6 [152]		5 [127]			5/16 [8]

## Z1034 FEMALE PIPE ECCENTRIC REDUCER



### ENGINEERING SPECIFICATION

Zurn Z1034 female pipe thread eccentric reducer features cast iron construction and is available in a range of sizes.



Product Designation	Dimensions in inches [mm]					Approximate Weight lb [kg]
	A	B	C	D	H	
-3 x 2	3 [76]	2 [51]	7/8 [22]	3/16 [5]	2-5/8 [67]	1 [0.5]
-4 x 2	4 [102]			11/16 [17]	3 [76]	3 [1]
-4 x 3		3 [76]	1-1/8 [29]	1/8 [3]	3-9/16 [90]	1.5 [0.7]

PREFIXES	DESCRIPTION	PRODUCT DESIG.	LIST PRICE
Z1034*	Female Pipe Thread Cast Iron Reducer	-3 x 2	242.00
		-4 x 2	215.00
		-4 x 3	403.00

\*Regularly furnished unless otherwise specified.

Items designated as Best Sellers are most specified and are generally in stock for shipment.

⌚ This symbol denotes a product that is engineered to reduce installation and rework time.

For additional product information, please visit [www.zurn.com](http://www.zurn.com)

Patent [zurn.com/patents](http://zurn.com/patents)

## 🕒 Z1035 FLOOR DRAIN INSTALLATION STABILIZER

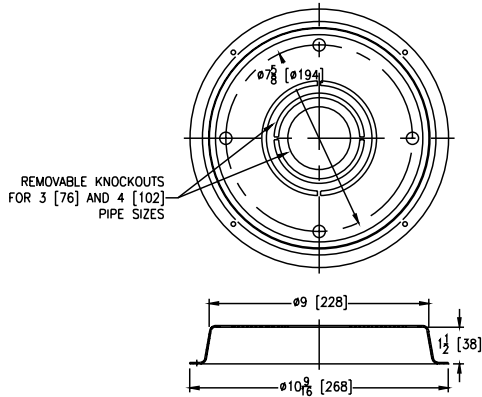


### ENGINEERING SPECIFICATION

Zurn Z1035 floor drain installation stabilizer features #20 gage, galvanized steel plate with variable pipe opening, four support stud holes, and four nail holes. Complete with hardware bag containing four 3/8"-16 x 12" long studs and eight 3/8"-16 flanged locknuts.

### NOTE

1. 7-5/8" diameter stud holes are used to accommodate 8-3/8" diameter drain body. (To be used with no-hub and Neo-Loc outlet connections only.)
2. For typical installation, see Form No. FD72.



### Dimensions in inches [mm]

Pipe Size	Pipe Opening Diameter
2 [51]	2-9/16 [65]
3 [76]	3-11/16 [94]
4 [102]	4-11/16 [119]

PREFIXES	DESCRIPTION	PIPE SIZE	LIST PRICE
Z1035*	Galvanized Steel Plate	2", 3", 4"	212.00



ZN415 Floor Drain with Z1035 Stabilizer

## 🕒 Z1035-Q STRUCTURAL DECK DRAIN STABILIZER

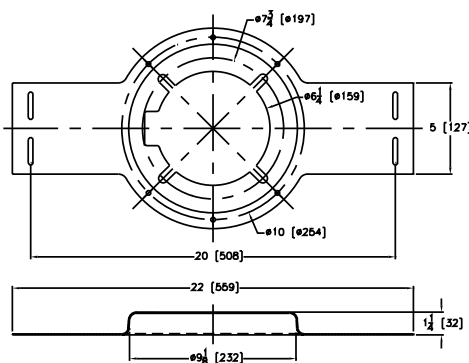


### ENGINEERING SPECIFICATION

Zurn Z1035-Q structural deck drain stabilizer for Q-deck features #16 gage galvanized steel plate with four support stud slots, and six (6) nail holes. Complete with hardware bag containing four 3/8"-16 x 12" long studs and eight 3/8"-16 flanged locknuts.

### NOTE

Designed for use with 8-3/8" diameter drain body.



PREFIXES	DESCRIPTION	LIST PRICE
Z1035-Q*	Galvanized Steel Plate	281.00



ZN158 Floor Drain with Z1035-Q Stabilizer

## 🕒 Z1036 FLOOR DRAIN INSTALLATION STABILIZER

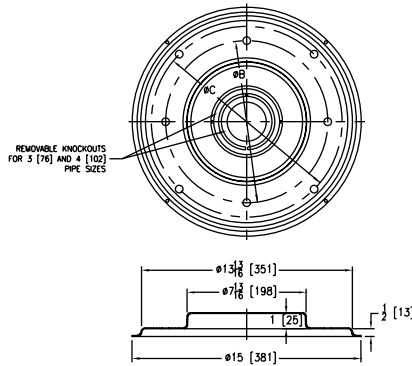


### ENGINEERING SPECIFICATION

Zurn Z1036 floor drain installation stabilizer features #16 gage, galvanized steel plate with variable pipe opening, eight support stud holes, and four nail holes. Complete with hardware bag containing four 3/8"-16 x 12" long studs and eight 3/8"-16 flanged locknuts.

### NOTE

- 'B' diameter stud holes are used to accommodate 12" diameter drain body. 'C' diameter stud holes are used to accommodate 15" diameter drain body. (To be used with no-hub and Neo-Loc outlet connections only.)
- For typical installation, see Form No. FD72.



Dimensions in inches [mm]			
Pipe Size	Pipe Opening Diameter	B	C
2 [51]	2-9/16 [65]	10-5/8 [270]	12-1/2 [318]
3 [76]	3-11/16 [94]		
4 [102]	4-11/16 [119]		

PREFIXES	DESCRIPTION	PIPE SIZE	LIST PRICE
Z1036*	Galvanized Steel Plate	2", 3", 4"	227.00



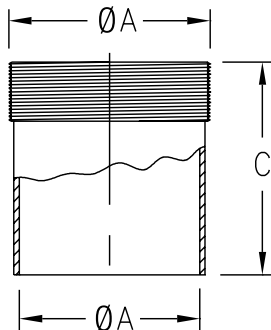
ZN150 Floor Drain with Z1036 Stabilizer

## Z1040 NO-HUB ADAPTER



### ENGINEERING SPECIFICATION

Zurn Z1040 no-hub adapter features Dura-Coated cast iron with male NPT threaded and no-hub connections.



Product Designation	Dimensions in inches [mm]		Approximate Weight lb [kg]
	A Pipe Size	C	
-2	2 [51]	3-1/2 [89]	1 [0.5]
-3	3 [76]		2 [1]
-4	4 [102]		3 [1]
-5	5 [127]		4 [2]
-6	6 [152]		5 [2]
-8	8 [203]		8 [4]
-10	10 [254]		11 [5]
-12	12 [305]		23 [10]

PREFIXES	DESCRIPTION	PRODUCT DESIG.	PIPE SIZE/OUTLET TYPE	LIST PRICE
Z1040*	D.C.C.I. Body with Male Thread x No-Hub Connection Type	-2	2IP x 2NH	151.00
		-3	3IP x 3NH	215.00
		-4	4IP x 4NH	334.00
		-5	5IP x 5NH	806.00
		-6	6IP x 6NH	1,012.00
		-8	8IP x 8NH	1,123.00
		-10	10IP x 10NH	1,338.00
		-12	12IP x 12NH	1,676.00

SUFFIXES	ADD
-G	Galvanized Cast Iron 136.00

BEST SELLERS	LIST PRICE
Z1040-3NH	215.00
Z1040-4NH	334.00
Z1040-6NH	1,012.00

\*Regularly furnished unless otherwise specified.

Items designated as Best Sellers are most specified and are generally in stock for shipment.

🕒 This symbol denotes a product that is engineered to reduce installation and rework time.

For additional product information, please visit [www.zurn.com](http://www.zurn.com)  
Patent [zurn.com/patents](http://zurn.com/patents)

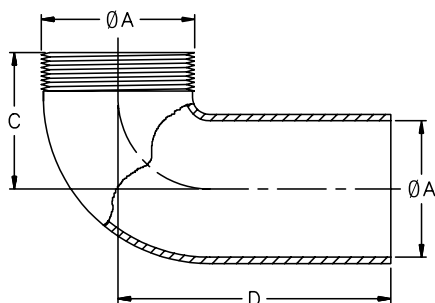


## Z1042 ELBOW ADAPTER



### ENGINEERING SPECIFICATION

Zurn Z1042 elbow adapter features Dura-Coated cast iron with male NPT threaded and no-hub connections.



Product Designation	Dimensions in inches [mm]			Approximate Weight lb [kg]
	A Pipe Size	C	D	
-3	3 [76]	3-3/4 [95]	7 [178]	8 [4]
-4	4 [102]	4 [102]	8 [203]	14 [6]
-6	6 [152]	5-1/2 [140]	9 [229]	25 [11]

PREFIXES	DESCRIPTION	PRODUCT DESIG.	PIPE SIZE/OUTLET TYPE	LIST PRICE
<b>Z1042*</b>	D.C.C.I. Body with Male Thread and No-Hub Connection Type	-3	3IP x 3NH	<b>806.00</b>
		-4	4IP x 4NH	<b>915.00</b>
		-6	6IP x 6NH	<b>2,053.00</b>
SUFFIXES			PIPE SIZE	ADD
<b>-G</b>	Galvanized Cast Iron		3"	<b>166.00</b>
			4"	<b>340.00</b>
			6"	<b>521.00</b>

## Z1088 BACKWATER VALVE GATE TYPE

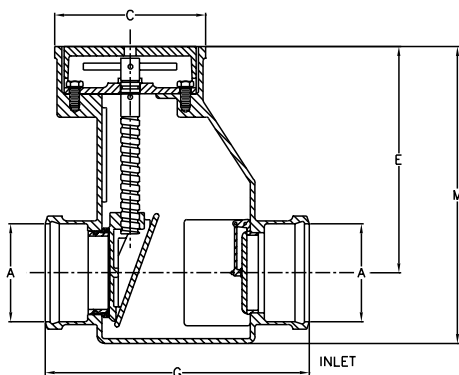


### ENGINEERING SPECIFICATION

Zurn Z1088 backwater valve features Dura-Coated cast iron body, automatic PVC (4" size only) flapper type backwater valve with O-ring adjacent to inlet, and spade type bronze gate valve with O-ring seat insert adjacent to outlet, easily controlled at floor level by covered handle engaging bronze non-rising stem.

### NOTE

Not designed nor intended to be used as a shut-off valve.



Product Designation	Dimensions in inches [mm]				Approximate Weight lb [kg]
	A Pipe Size	C	E	M	
-4	4 [102]	8 [203]	12 [305]	15-3/4 [400]	80 [36]
-6	6 [152]	10-1/2 [267]	14-1/2 [368]	19 [483]	120 [54]

PREFIXES	DESCRIPTION	PIPE SIZE	LIST PRICE
<b>Z1088*</b>	D.C.C.I. Body and Cover with PVC Flapper Valve, Bronze Check Valve, Gate, and Stem	4", 6"	<b>See Connection Type for Pricing</b>

CONNECTION DESIGNATION (SPECIFY PIPE SIZE IN INCHES AND TYPE OF CONNECTION)				
PRODUCT DESIG.	CONNECTION TYPE	PIPE SIZE/OUTLET TYPE	ADD	
<b>-4</b>	Hub x No-Hub	4HB x 4NH	<b>6,404.00</b>	
	No-Hub x No-Hub	4NH x 4NH	<b>6,404.00</b>	
<b>-6</b>	Hub x Hub	6HB x 6HB	<b>9,830.00</b>	
	Hub x No-Hub	6HB x 6NH	<b>9,830.00</b>	
	No-Hub x No-Hub	6NH x 6NH	<b>9,830.00</b>	
SUFFIXES			PIPE SIZE	ADD
<b>-BV</b>	Bronze Flapper Valve (4" Size)			<b>N/C</b>
<b>-G</b>	Galvanized Cast Iron Body			<b>1,934.00</b>
<b>-WH</b>	Wheel Handle			<b>836.00</b>
<b>-12</b>	12" Extension	4"	<b>2,982.00</b>	
		6"	<b>3,426.00</b>	
<b>-24</b>	24" Extension	4"	<b>4,181.00</b>	
		6"	<b>4,570.00</b>	
BEST SELLER			LIST PRICE	
<b>Z1088-4NH</b>			<b>6,404.00</b>	

## Z1090 BACKWATER VALVE FLAPPER TYPE

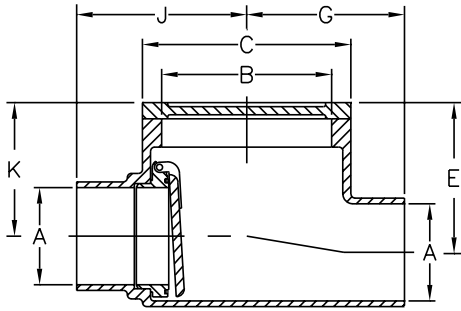


### ENGINEERING SPECIFICATION

Zurn Z1090 backwater valve features Dura-Coated cast iron body, no-hub inlet and outlet, gasketed bolted cover, and automatic PVC (3" and 4" sizes only) flapper type backwater valve with O-ring.

### NOTE

Inlet sizes up to 4"[102] utilize a flapper that hangs normally closed. Sizes greater than 4"[102] and BV option utilize a bronze flapper that hangs 1/4"[6] normally open."



Product Designation	Dimensions in inches [mm]							Approximate Weight lb [kg]
	A Pipe Size	B	C	E	G	J	K	
-2	2 [51]	5-1/4 [133]	6-1/2 [165]	4-5/8 [117]	4-7/8 [124]	5-1/4 [133]	3-5/8 [92]	16 [7]
-3	3 [76]			4-1/8 [105]				17 [8]
-4	4 [102]	6-3/8 [162]	7-1/2 [191]	4-3/4 [121]	6 [152]	6 [152]	4-1/4 [108]	22 [10]
-6	6 [152]	8-1/4 [210]	9-1/2 [241]	7-1/2 [191]	6-5/8	7-7/16	6 [152]	34 [15]

PREFIXES	DESCRIPTION	PRODUCT DESIG.	PIPE SIZE/OUTLET TYPE	LIST PRICE
<b>Z1090*</b>	D.C.C.I. Body with No-Hub Connection Type	-2	2NH	1,877.00
		-3	3NH	2,936.00
		-4	4NH	3,616.00
		-6	6NH	5,197.00

SUFFIXES	ADD	
<b>-BP</b>	Bronze Threaded Plug Cover	N/C
<b>-BV</b>	Bronze Flapper Valve (3" and 4" Size)	N/C
<b>-G</b>	Galvanized Cast Iron Body	498.00

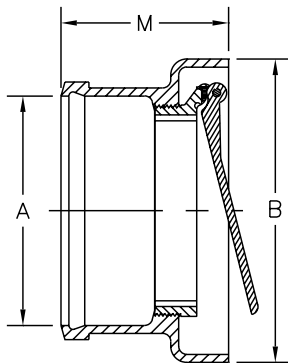
BEST SELLERS	LIST PRICE
Z1090-2NH	1,877.00
Z1090-3NH	2,936.00
Z1090-4NH	3,616.00
Z1090-4NH-BV	3,616.00
Z1090-6NH	5,197.00

## Z1091 BACKWATER VALVE FLAPPER TYPE



### ENGINEERING SPECIFICATION

Zurn Z1091 backwater valve features Dura-Coated cast iron body, hub inlet and open outlet for installation at end of drainage line, and automatic PVC (3" and 4" sizes only) flapper type backwater valve with O-ring.



Product Designation	Dimensions in inches [mm]			Approximate Weight lb [kg]
	A Pipe Size	B	M	
-3	3 [76]	7 [178]	5 [127]	12 [5]
-4	4 [102]	7-1/2 [191]		15 [7]
-6	6 [152]	9-1/2 [241]	5-1/4 [133]	28 [13]
-8	8 [203]	11-1/2 [292]	6 [152]	42 [19]
-10	10 [254]	14 [356]	7 [178]	58 [26]

PREFIXES	DESCRIPTION	PRODUCT DESIG.	PIPE SIZE/OUTLET TYPE	LIST PRICE
<b>Z1091*</b>	D.C.C.I. Body with Hub Connection Type	-3	3HB	788.00
		-4	4HB	1,146.00
		-6	6HB	3,251.00
		-8	8HB	3,955.00
		-10	10HB	11,893.00

SUFFIXES	PIPE SIZE	ADD	
<b>-BV</b>	Bronze Flapper Valve (3" and 4" Size)	N/C	
<b>-G</b>	Galvanized Cast Iron	3", 4"	448.00
		6"	632.00
		8", 10"	1,300.00

\*Regularly furnished unless otherwise specified.

Items designated as Best Sellers are most specified and are generally in stock for shipment.

🕒 This symbol denotes a product that is engineered to reduce installation and rework time.

For additional product information, please visit [www.zurn.com](http://www.zurn.com)

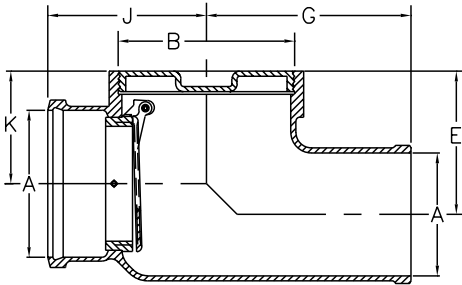
Patent [zurn.com/patents](http://zurn.com/patents)

## Z1095 BACKWATER VALVE FLAPPER TYPE



### ENGINEERING SPECIFICATION

Zurn Z1095 backwater valve features Dura-Coated cast iron body, hub inlet and offset spigot outlet, bronze threaded cover, and automatic PVC (3" and 4" sizes only) flapper type backwater valve with O-ring.



PREFIXES	DESCRIPTION	PRODUCT DESIG.	PIPE SIZE/OUTLET TYPE	LIST PRICE
<b>Z1095*</b>	D.C.C.I. Body with Hub	-2	2HB x 2SP	<b>1,877.00</b>
	x Spigot	-3	3HB x 3SP	<b>2,930.00</b>
	Connection	-4	4HB x 4SP	<b>3,616.00</b>
	Type	-8	8HB x 8SP	<b>7,298.00</b>
		-10	10HB x 10SP	<b>11,911.00</b>

SUFFIXES	PIPE SIZE	ADD
<b>-BC</b>	Bolted Cover	<b>N/C</b>
<b>-BV</b>	Bronze Flapper Valve (3" and 4" Size)	<b>N/C</b>
<b>-G</b>	Galvanized Cast Iron	2" thru 4" <b>763.00</b>
		6" <b>1,269.00</b>
		8", 10" <b>2,266.00</b>

BEST SELLERS	LIST PRICE
Z1095-10HS	<b>11,911.00</b>
Z1095-8HS	<b>7,298.00</b>

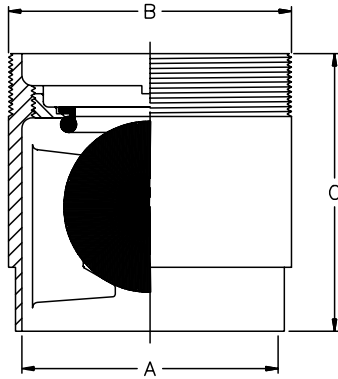
Product Designation	Dimensions in inches [mm]						Approximate Weight lb [kg]
	A Pipe Size	B	E	G	J	K	
-2	2 [51]	4 [102]	4-3/8 [111]	7 [178]	5 [127]	2-7/8 [73]	23 [10]
-3	3 [76]	5 [127]	5-1/8 [130]	8 [203]	6 [152]	3-5/8 [92]	30 [14]
-4	4 [102]	6 [152]	5-5/8 [143]	8-1/2 [216]	6-3/4 [171]	4-1/8 [105]	34 [15]
-8	8 [203]	10 [254]	7-1/2 [191]	11-7/8 [302]	9-3/8 [238]	6 [152]	79 [36]
-10	10 [254]	12 [305]		12-3/4 [324]	10-7/8 [276]	7 [178]	102 [46]

# Z1099 BACKWATER VALVE BALL FLOAT TYPE



## ENGINEERING SPECIFICATION

Zurn Z1099 backwater valve features Dura-Coated cast iron body, plastic ball float, bronze backwater bushing, and replaceable neoprene seat.



Product Designation	Dimensions in inches [mm]			Approximate Weight lb [kg]
	A Pipe Size	B	C	
-3	3 [76]	3 [76]	6-1/2 [165]	7 [3]
-4	4 [102]	4 [102]		9 [4]
-6	6 [152]	6 [152]		25 [11]

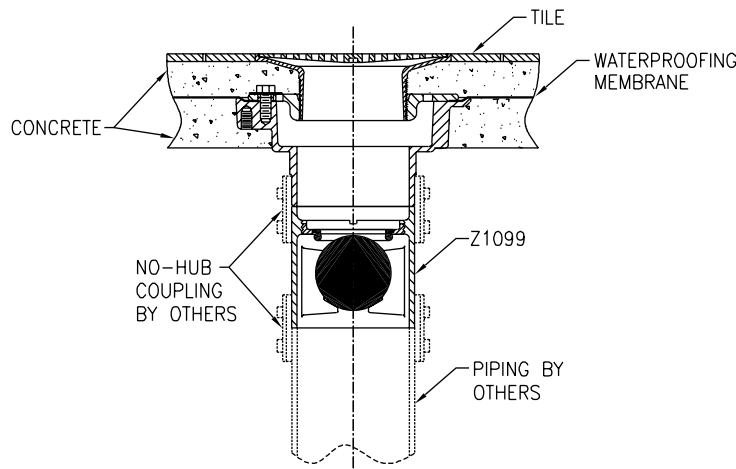
PREFIXES	DESCRIPTION	PIPE SIZE	LIST PRICE
Z1099*	D.C.C.I. Body	3" 4", 6"	See Connection Type for Pricing

### CONNECTION DESIGNATION (SPECIFY PIPE SIZE IN INCHES AND TYPE OF CONNECTION)

PRODUCT DESIG.	CONNECTION TYPE	PIPE SIZE/OUTLET TYPE	ADD
-3	Threaded x No-Hub	3IP x 3NH	840.00
	No-Hub x No-Hub	3NH x 3NH	840.00
-4	Threaded x No-Hub	4IP x 4NH	840.00
	No-Hub x No-Hub	4NH x 4NH	840.00
-6	Threaded x No-Hub	6IP x 6NH	1,733.00
	No-Hub x No-Hub	6NH x 6NH	1,733.00

SUFFIXES			ADD
-G	Galvanized Cast Iron	3", 4"	157.00
		6"	396.00

BEST SELLERS	LIST PRICE
Z1099-3NHX2NH	840.00
Z1099-3NHX3NH	840.00
Z1099-4NHX4NH	840.00



Z1099 shown installed on the outlet of a floor drain. In order for the Z1099 to operate properly, it must always be installed in a vertical position as illustrated.

\*Regularly furnished unless otherwise specified.

Items designated as Best Sellers are most specified and are generally in stock for shipment.

⌚ This symbol denotes a product that is engineered to reduce installation and rework time.

For additional product information, please visit [www.zurn.com](http://www.zurn.com)

Patent [zurn.com/patents](http://zurn.com/patents)

# NOTES

INTRO

ROOF DRAINS

FLOOR DRAINS

**T, P, BW VALVES**

INTERCEPTORS

CARRIERS

HYDRANTS

CLEANOUTS

WHA

SS DRAINS

SANI-FLOOR

TECH INFO

# INTERCEPTORS

INTERCEPTORS – GENERAL INFORMATION	158	<b>Z1180</b> SOLIDS INTERCEPTOR	174
INTERCEPTORS – APPLICATION INDEX	158	<b>Z1181</b> SOLIDS INTERCEPTOR	174
GREASE INTERCEPTORS – PURPOSE	158	<b>Z1182</b> SIDE ACCESS SOLIDS INTERCEPTOR	175
GREASE INTERCEPTORS – OPERATION	159	<b>Z1183</b> SOLIDS INTERCEPTOR	175
<b>Z250H</b> FOG-CEPTOR® INTERCEPTOR	160	<b>Z1183-DF</b> SOLIDS INTERCEPTOR WITH DISPOSABLE FILTER BAGS	176
<b>Z1165</b> 100 PPM GREASE INTERCEPTOR SYSTEM WITH SOLIDS INTERCEPTOR	161	<b>Z1183-FC</b> SOLIDS INTERCEPTOR WITH FLUSH COVER	177
<b>Z1170</b> GREASE INTERCEPTOR	162	<b>Z1184</b> BOTTOM ACCESS SOLIDS INTERCEPTOR	178
<b>Z1170-UN</b> GREASE INTERCEPTOR WITH USER NOTIFICATION SYSTEM	163	<b>Z1185</b> LINT INTERCEPTOR	179
<b>ZS1170</b> GREASE INTERCEPTOR STAINLESS STEEL	164	OIL INTERCEPTORS – GENERAL PRODUCT INFORMATION	180
<b>Z1171</b> LOW PROFILE GREASE INTERCEPTOR	165	OIL INTERCEPTORS – APPLICATION INDEX	180
<b>Z1171-TD</b> LOW PROFILE GREASE INTERCEPTOR WITH ACCUMULATING CONE AND FLOW CONTROL TEE	166	<b>Z1186</b> OIL INTERCEPTOR	181
<b>Z1172</b> LARGE CAPACITY GREASE INTERCEPTOR	167	<b>Z1186-ST</b> OIL INTERCEPTOR WITH INTEGRAL STORAGE TANK	182
<b>Z1172-UN</b> LARGE CAPACITY GREASE INTERCEPTOR WITH USER NOTIFICATION SYSTEM	168	<b>Z1187</b> SAND AND SEDIMENT INTERCEPTOR	183
<b>Z1173</b> EJECTO-MATIC GREASE INTERCEPTOR	169	<b>Z1187-SI</b> SAND INTERCEPTOR	184
<b>Z1173-TD</b> EJECTO-MATIC GREASE INTERCEPTOR WITH GREASE ACCUMULATING CONE AND IN-LINE SHUTOFF VALVE	170	<b>Z1188</b> LARGE CAPACITY OIL INTERCEPTOR	185
<b>Z1174</b> GREASE EATING BACTERIA DOSING UNIT AND SOLIDS INTERCEPTOR COMBINATION	171	<b>Z1188-ST</b> LARGE CAPACITY OIL INTERCEPTOR WITH INTEGRAL STORAGE TANK	186
SOLIDS INTERCEPTORS – GENERAL PRODUCT INFORMATION	172	<b>Z1189</b> OIL/SEDIMENT INTERCEPTOR WITH HEAVY-DUTY GRATE	187
SOLIDS INTERCEPTORS – APPLICATION INDEX	172	<b>Z1194</b> OIL LEVEL SENSOR RETROFIT KIT	188
SOLIDS INTERCEPTORS – SIZING	172	<b>Z1196</b> OIL INTERCEPTOR WITH OIL LEVEL SENSOR	189
<b>Z1175</b> HAIR INTERCEPTOR	173	<b>Z1198</b> LARGE CAPACITY OIL INTERCEPTOR WITH OIL LEVEL SENSOR	190
<b>Z1176</b> HAIR INTERCEPTOR	173	<b>Z1198-ST</b> LARGE CAPACITY OIL INTERCEPTOR WITH INTEGRAL STORAGE TANK AND OIL LEVEL FLOAT SENSOR	191
		<b>Z9A-PHIX</b> UNDER SINK ACID NEUTRALIZATION CARTRIDGE SYSTEM	192
		<b>Z9-PHIX-MEDIA</b> PHIX MEDIA 5 GALLON PAIL	192

## INTERCEPTORS – GENERAL INFORMATION

Zurn manufactures three types of interceptors to meet all your plumbing needs: grease interceptors, solids interceptors, and oil interceptors. Zurn interceptors are designed for use in plumbing wastewater systems to prevent harmful or undesirable substances from entering the wastewater control system. Note: Interceptors are not pressurized vessels and should not undergo pressure testing.

To obtain more detailed information on Zurn interceptors, phone 855-ONE-ZURN, or contact your local Zurn sales representative.

## INTERCEPTORS – APPLICATION INDEX

Product selection should be made with a specific application and the type of construction in mind. The varied types and sizes of Zurn interceptors, along with their options, offer a selection for all applications.

APPLICATION	RECOMMENDED INTERCEPTOR
Cooking and Processing Kettles*; Pot, Pan, and Scullery Sinks	Z250H, Z1165, Z1170, Z1170-UN, ZS1170, Z1171, Z1171-TD, Z1172, Z1172-UN, Z1173, Z1173-TD, Z1174
Soup Kettles*	Z1165, Z1170, Z1170-UN, ZS1170, Z1171, Z1171-TD, Z1173, Z1173-TD, Z1174
Dishwashing Machines*	Z250H, Z1165, Z1170, Z1170-UN, ZS1170, Z1172, Z1172-UN, Z1173, Z1173-TD, Z1174
Grease Draw-off Units	Z250H, Z1171-TD, Z1173, Z1173-TD
Miscellaneous Equipment Holding*, Grease-Laden Water	Z250H, Z1165, Z1170, Z1170-UN, ZS1170, Z1171, Z1171-TD, Z1172, Z1172-UN, Z1173, Z1173-TD, Z1174

\*A Zurn Solids Interceptor is recommended to be used in conjunction with all grease interceptors. See product information for details.

## GREASE INTERCEPTORS – PURPOSE

For over a hundred years, grease interceptors have been used in plumbing wastewater systems to permit free flow of drainage from sinks and similar equipment. They have played an important role in preventing grease accumulations from clogging waste pipes and sewer lines. They also help to improve operations at wastewater treatment facilities and prevent environmental problems caused by grease.

Zurn engineers were part of the original team that developed the current Plumbing and Drainage Institute Standard PDI-G101, which was first issued in 1949. PDI-G101 is now cited in numerous codes, as well as in Military Specification MIL-T-18361. Many Zurn grease interceptors comply with PDI-G101 and carry the PDI label.

### WHY ARE GREASE INTERCEPTORS NEEDED?

1. To prevent waste pipes in buildings from becoming clogged.
2. To prevent sewer lines from clogging and improve operation of water treatment plants by reducing the wastewater grease load from entering the plant.
3. To prevent environmental problems caused by grease mixed with other debris at landfills and in waterways.
4. To promote the recycling of recovered clean grease.

Grease entering the wastewater collection system presents major problems from the moment of entry and continuing to the final stage in wastewater treatment. It is an expensive burden in sewer pipes due to blockage and reduced capacity, causing the need for frequent cleaning. In severe cases, entire lengths of sewer pipe must be replaced due to solidification of the grease and other debris. Grease also causes substantial problems in wastewater treatment facilities because of its detrimental effect on the bacterial process of wastewater treatment. Not only is there a grease removal problem, but large quantities of grease can overload and compromise the digestive process, adversely affecting the operation of the wastewater treatment plant.

Another important reason for grease interception and recovery is for recycling. Grease, if recovered and purified (free of contaminants and water) can be turned into a valuable resource. Recovered grease can be used in the manufacturing of fertilizers, soaps, animal feed, cosmetics, and components of explosives such as nitroglycerine.

## GREASE INTERCEPTORS – OPERATION

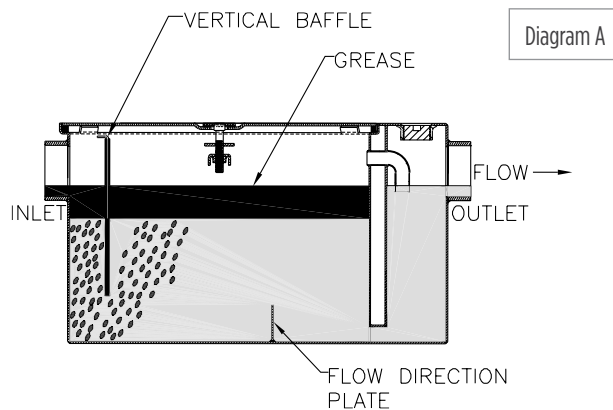
Four factors are critical to the proper operation of a grease interceptor: design, sizing, proper installation, and maintenance.

### DESIGN

What makes Zurn interceptors most efficient are superior design characteristics (Diagram A).

Standard Zurn units are provided with a high inlet which allows all flow to empty into the interceptor. This keeps inlet lines from becoming clogged with grease buildup, which occurs with low inlet units and with large concrete separators buried outside. Because the static water level is maintained at the bottom of the outlet, any piping into the interceptor below this elevation will remain filled with water.

The Zurn solid vertical baffle plate immediately diffuses flow and channels the incoming fluids directly to the bottom of the separation chamber. A flow directing plate on the outlet side of the vertical baffle enhances flow in an upward direction and traps solids that may inadvertently enter the interceptor. This provides the maximum amount of time possible for separation to occur. Grease being approximately 90% of the weight of water, separates and floats to the top of the water under these conditions. The calming effect on the flow and the extended time sequence in the chamber allows for more efficient separation (Diagram A).



Zurn interceptors have an unobstructed separation chamber permitting the entire baffle to be lifted upward and removed. This provides for fast, easy cleaning which minimizes the amount of time the lid is off and the contents are exposed to the environment.

Odor from accumulated grease in an interceptor may pass back through the piping system and through the drain opening. An additional trap should be considered between the fixture and interceptor. Consult local codes.

Zurn interceptors are manufactured standard with a removable cleanout plug on the outlet side of the separation chamber, past the integral trap seal. This allows for quick, easy access to the outlet drainage pipe, should an obstruction or blockage occur downstream of the interceptor.

Zurn 1100 Series Interceptors are 100% steel construction, coated with a white acid-resisting epoxy (A.R.C.). Zurn Series Interceptors with flow rates from 4 to 50 GPM are certified by the Plumbing and Drainage Institute (PDI). Zurn Grease Interceptors with flow rates from 20 to 50 GPM are listed by the International Association of Plumbing and Mechanical Officials (IAPMO).

### SIZING

The Plumbing and Drainage Institute (PDI) as well as some national and local codes have recognized different ways of sizing grease interceptors. It is advisable to check with local authorities for sizing requirements in your particular locality.

The following pages outline the most widely used sizing methods along with some common variables which, if present, could adversely affect the operation of your grease interceptor. If any of the following variables are present, added care should be taken to select the proper size interceptor with appropriate options to compensate for each irregularity.

### VARIABLES AFFECTING GREASE INTERCEPTOR PERFORMANCE

#### VELOCITY OF INCOMING WATER

A higher velocity of water will contribute to a more turbulent mixture. This will slow the grease separation process, thereby reducing efficiency.

Recommended Solution – Maximize incoming pipe size to lower flow velocity or install additional flow control fittings at all sources of flow.

#### RATIO OF GREASE TO THE WATER

The higher the ratio of grease particles to the water, the lower the efficiency of the interceptor.

Recommended Solution – Increase the size of the interceptor.

#### SPECIFIC GRAVITY (WEIGHT) OF THE FILTRATES

Grease has a lower specific gravity than water and will rise to the surface quickly. Grease-laden food particles, having a higher specific gravity than water, will linger and accumulate at the bottom, eventually passing out of the interceptor.

Recommended Solution – Install a solids interceptor at the source of solid particles, prior to the grease interceptor.

#### POSSIBLE PRESENCE OF DETERGENTS IN THE SYSTEM

Grease-cutting detergents will break the liquid grease into minute particles that can cause these liquids to pass through the interceptor.

Recommended Solution – Minimize the use of detergents, or increase the size of the interceptor.

#### PERCENTAGE OF MAXIMUM FLOW CAPACITY

If the maximum recommended flow is exceeded, the efficiency of the interceptor will decrease considerably.

Recommended Solution – Increase size of the interceptor to accommodate the increased flow, or install additional flow control fittings at all sources of flow.

#### LOCATION OF GREASE INTERCEPTOR

The interceptor should be located as close as possible to the source of grease. Waste pipes leading to the grease interceptor may become clogged if liquid cools prior to entering the grease interceptor.

\*Regularly furnished unless otherwise specified.

Items designated as Best Sellers are most specified and are generally in stock for shipment.

For additional product information, please visit [www.zurn.com](http://www.zurn.com) | Patent [zurn.com/patents](http://zurn.com/patents)



# Z250H FOG-CEPTOR® INTERCEPTOR



## ENGINEERING SPECIFICATION

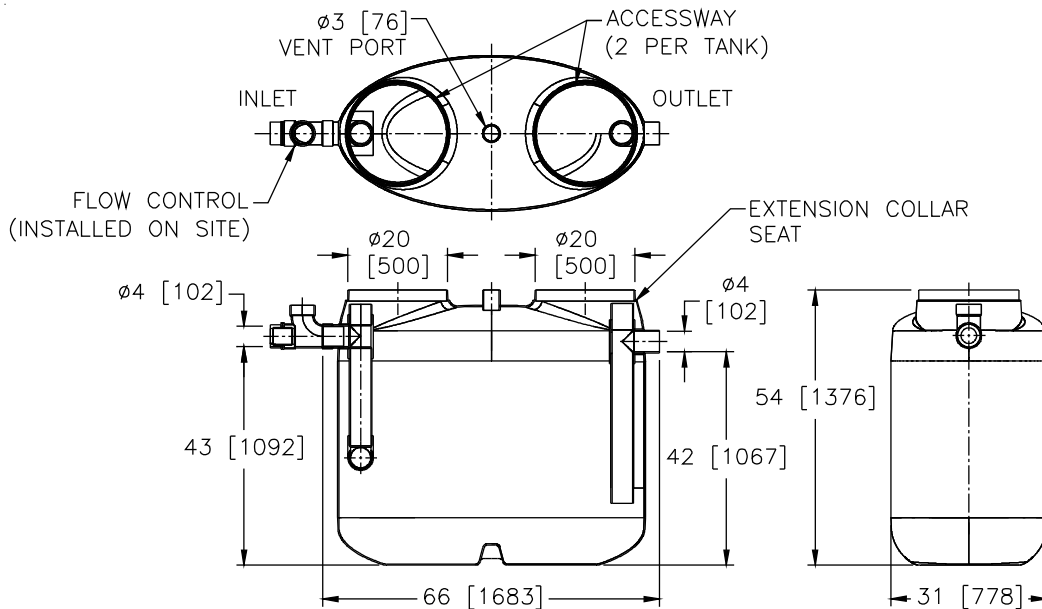
Zurn Z250H FOG-ceptor is engineered fiberglass, fats, oil, and grease interceptor, and dual manway interceptor with external flow control device. PDI and IAPMO rated at 100 gpm and 200 lb. Regularly furnished with 4" Schedule 40 PVC inlet and outlet. Includes two 20" diameter H-20 rated fiberglass bolted and gasketed frames and covers, four tubes of Sikaflex® bonding agent, one external flow control device, and two 3' high x 20" diameter extension collars.

## NOTES

Location of outlet from bottom of interceptor cannot be changed.

PREFIXES	DESCRIPTION	SIZE	LIST PRICE
Z250H	Fiberglass Reinforced Plastic (Engineered Fiberglass)	250	POA
SUFFIXES			ADD
-EXT-B	3' long 20" diameter extension collar with bell (2) for deeper burial (additional)		POA
-FC	Frame and Cover (additional)		POA
BEST SELLER			LIST PRICE
Z250H			POA

Size	Inlet/Outlet inch [mm]	Flow Rate gpm [LPM]	Capacity			Approximate Weight lb [kg]
			Water gallon [L]	Grease gallon [L]	Solids gallon [L]	
250	4 [102]	100 [379]	250 [946]	189 [715]	48 [182]	230 [104]



# Z1165 100 PPM GREASE INTERCEPTOR SYSTEM WITH SOLIDS INTERCEPTOR

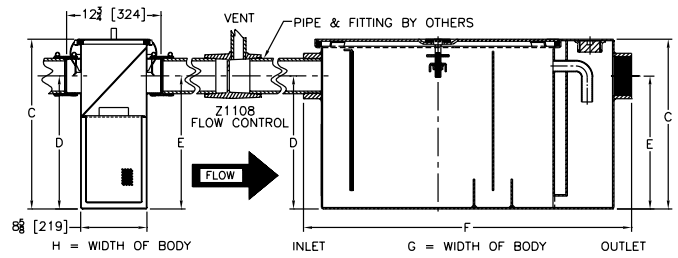


## ENGINEERING SPECIFICATION

Zurn Z1165 grease interceptor system features acid resistant coated interior and fabricated steel exterior, PDI rated at \_\_\_ gpm and \_\_\_ lb grease capacity, internal air relief bypass, bronze cleanout plug, removable pressure equalizing/flow-diffusing inlet baffle, fixed bottom outlet baffle, and visible double wall trap seal. Gasketed, non-skid, secured cover completes tie down assembly with Z1108 flow control fitting. Includes acid resistant coated fabricated steel solids interceptor with replaceable filter bags, retainer plate, latched lid, and removable sediment basket. Grease interceptor effluent efficiency meets 100 parts per million when tested to EPA 1664 test method. Results based on the influent requirements in accordance with the maximum rated capacity given by Plumbing and Drainage Institute Standard PDI-G101. The presence of solids particles may cause results to vary per application.

## NOTES

Location of inlet and outlet from bottom of interceptor cannot be changed. For the Z1165 size 700, the Miami-Dade DERM label is located under the cover of the grease interceptor and solid interceptor.



PREFIXES	DESCRIPTION	SIZE	LIST PRICE
<b>Z1165*</b>	Acid Resistant Coated Fabricated Steel	200	<b>10,617.00</b>
		300	<b>11,922.00</b>
		400	<b>14,694.00</b>
		500	<b>19,392.00</b>
		600	<b>39,177.00</b>
		700	<b>44,156.00</b>
		800	<b>45,625.00</b>
<b>ZS1165</b>	All Type 304 Fabricated Stainless Steel		<b>POA</b>
SUFFIXES		SIZE	ADD
<b>-HD</b>	Heavy Duty Cover rated at 10,000 lbs. maximum safe live load. A 3" minimum extension height is required when Heavy Duty Cover option (-HD) is specified.	200	<b>9,697.00</b>
		300	<b>10,244.00</b>
		400	<b>11,318.00</b>
		500	<b>11,853.00</b>
		600	<b>12,515.00</b>
		700	<b>17,219.00</b>
		800	<b>18,895.00</b>
<b>-K</b>	Anchor flange 1-3/4" down from top and 2" wide. A 3" minimum extension height is required when anchor flange (-K) option is specified (specify 'C' dimension required).	200	<b>2,210.00</b>
		300	<b>2,299.00</b>
		400	<b>2,417.00</b>
		500	<b>2,462.00</b>
		600	<b>2,876.00</b>
		700	<b>3,217.00</b>
		800	<b>3,856.00</b>

SUFFIXES		SIZE	ADD
<b>-KC</b>	Anchor flange 1-3/4" down from top and 2" wide with clamp collar. A 3" minimum extension height is required when anchor flange (-KC) option is specified.	200	<b>2,462.00</b>
		300	<b>2,745.00</b>
		400	<b>2,849.00</b>
		500	<b>3,241.00</b>
		600	<b>5,225.00</b>
		700	<b>5,844.00</b>
		800	<b>6,373.00</b>
<b>-L</b>	Angle type (Z1108-L) flow control device with plunger		<b>N/C</b>
<b>-LS</b>	Less Solids Interceptor		<b>POA</b>
<b>-PW</b>	Plug Wrench		<b>122.00</b>
<b>-R</b>	Acid resistant coated interior and exterior fabricated steel recessing receiver for recessed installation is equipped with adjustable support brackets and gasketed non-skid cover with removable lift handles. Only available with sizes 200-700.	200	<b>11,230.00</b>
		300	<b>11,523.00</b>
		400	<b>12,029.00</b>
		500	<b>12,705.00</b>
		700	<b>POA</b>
<b>-RE</b>	Acid resistant coated interior and exterior fabricated steel recessing receiver (enclosed type) for recessed installation. Furnished with adjustable support brackets and gasketed, non-skid, secured cover with removable lift handles. Only available with sizes 200-700.	200	<b>13,411.00</b>
		300	<b>13,873.00</b>
		400	<b>15,115.00</b>
		500	<b>15,920.00</b>
		700	<b>POA</b>
<b>-SI</b>	Solids Interceptor Only (Specify required size.)		<b>POA</b>
<b>-T</b>	Cover recessed for tile/terrazzo. A 3" minimum extension height is required. (Specify 'C' dimension and required recess depth: 1/8", 3/4", or 1-1/4".)	200	<b>9,912.00</b>
		300	<b>11,455.00</b>
		400	<b>14,060.00</b>
		500	<b>19,535.00</b>
		700	<b>POA</b>
<b>-XF</b>	Extra Supply of 30 Solids Filter Bags	800	<b>POA</b>
			<b>POA</b>

Size	Inlet/Outlet inch [mm]	Flow Rate gpm [LPM]	Capacity		Approximate Weight lb [kg]	Dimensions in inches [mm]				
			Water gallon [L]	Grease lb [kg]		C	D/E	F	G	H
200	3 [76]	7 [26]	16 [61]	14 [6]	136 [62]	15 [381]	11-3/4 [298]	29 [737]	17-1/4 [438]	17-1/4 [438]
300		10 [38]	21 [79]	20 [9]	169 [77]	17 [432]	12-7/16 [316]	31-1/4 [794]	19-7/8 [505]	19-7/8 [505]
400		15 [57]	30 [114]	30 [14]	204 [93]	18-3/4 [476]	14-3/16 [360]	33-1/8 [841]	22-1/2 [572]	
500		20 [76]	40 [151]	40 [18]	239 [108]	21-1/2 [546]	16 [406]	35 [889]	24-1/2 [622]	
600		25 [95]	65 [246]	50 [23]	379 [172]	25-1/4 [641]	20 [508]	36 [914]	28-5/8 [727]	22-1/2 [572]
700		35 [132]	110 [416]	70 [32]	476 [216]	28 [711]	23 [584]	42-3/4 [1086]	33-5/8 [854]	
800		50 [189]	150 [568]	100 [45]	823 [373]	30-1/8 [765]	24-1/2 [622]	47-1/2 [1207]	40 [1016]	

\*Regularly furnished unless otherwise specified.

Items designated as Best Sellers are most specified and are generally in stock for shipment.

For additional product information, please visit [www.zurn.com](http://www.zurn.com) | Patent [zurn.com/patents](http://zurn.com/patents)

INTRO  
ROOF DRAINS  
FLOOR DRAINS  
I, P, BW VALVES  
INTERCEPTORS  
CARRIERS  
HYDRANTS  
CLEANOUTS  
WHA  
SS DRAINS  
SAN-FLOOR  
TECH INFO

# Z1170 GREASE INTERCEPTOR

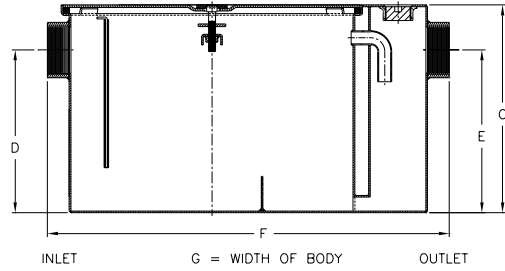


## ENGINEERING SPECIFICATION

Zurn Z1170 grease interceptor features acid resistant coated interior and fabricated steel exterior, PDI rated at \_\_\_ gpm and \_\_\_ lb grease capacity, internal air relief bypass, bronze cleanout plug, removable pressure equalizing/flow-diffusing inlet baffle, fixed bottom outlet baffle, and visible double wall trap seal. Gasketed, non-skid, secured cover comes complete with center tie down assembly with Z1108 flow control fitting. Regularly furnished with a high inlet and outlet connection.

## NOTES

Location of outlet from bottom of interceptor cannot be changed.



PREFIXES	DESCRIPTION	SIZE	LIST PRICE
<b>Z1170*</b>	Acid Resistant Coated Fabricated Steel	100	<b>3,601.00</b>
		200	<b>4,990.00</b>
		300	<b>5,870.00</b>
		400	<b>8,686.00</b>
		500	<b>10,628.00</b>
		600	<b>11,943.00</b>
		700	<b>14,759.00</b>
800	<b>19,544.00</b>		
SUFFIXES		SIZE	ADD
<b>-AL</b>	Aluminum Cover	100-400	<b>1,944.00</b>
		500-800	<b>2,720.00</b>
<b>-DI</b>	Dual High/Low Inlet		<b>579.00</b>
		<b>EA. ADDITIONAL 1" OVER 6" UP TO 6"</b>	
<b>-E</b>	Acid Resistant Coated interior and exterior fabricated steel extension section (specify 'C' dimension required) for recessed installation.	100 POA	<b>POA</b>
		200 POA	<b>POA</b>
		300 333.00	<b>6,552.00</b>
		400 373.00	<b>6,731.00</b>
		500 422.00	<b>6,731.00</b>
		600 479.00	<b>7,651.00</b>
		700 524.00	<b>8,042.00</b>
		800 606.00	<b>8,697.00</b>
		SIZE	ADD
<b>-HD</b>	Heavy duty traffic cover rated at 10,000 lbs. maximum safe live load. A 3" minimum extension height is required when Heavy Duty Cover (-HD) option is specified.	300	<b>10,241.00</b>
		400	<b>11,318.00</b>
		500	<b>11,853.00</b>
		600	<b>12,515.00</b>
		700	<b>17,219.00</b>
		800	<b>18,895.00</b>
<b>-K</b>	Anchor flange 1-3/4" down from top and 2" wide. A 3" minimum extension height is required when anchor flange (-K) option is specified (specify 'C' dimension required).	100	<b>POA</b>
		200	<b>POA</b>
		300	<b>2,047.00</b>
		400	<b>2,047.00</b>
		500	<b>2,210.00</b>
		600	<b>2,299.00</b>
		700	<b>2,417.00</b>
800	<b>2,462.00</b>		

SUFFIXES	DESCRIPTION	SIZE	ADD
<b>-KC</b>	Anchor flange 1-3/4" down from top and 2" wide with clamp collar. A 3" minimum extension height is required when anchor flange (-KC) option is specified.	100	<b>POA</b>
		200	<b>POA</b>
		300	<b>2,462.00</b>
		400	<b>2,462.00</b>
		500	<b>2,462.00</b>
		600	<b>2,745.00</b>
		700	<b>2,849.00</b>
800	<b>3,241.00</b>		
<b>-L</b>	Angle type (Z1108-L) flow control device with plunger		<b>N/C</b>
<b>-PW</b>	Plug Wrench		<b>122.00</b>
<b>-R</b>	Acid resistant coated interior and exterior fabricated steel recessing receiver for recessed installation is equipped with adjustable support brackets and gasketed non-skid cover with removable lift handles.	100	<b>8,259.00</b>
		200	<b>9,459.00</b>
		300	<b>9,857.00</b>
		400	<b>10,554.00</b>
		500	<b>11,230.00</b>
		600	<b>11,466.00</b>
		700	<b>11,523.00</b>
800	<b>12,705.00</b>		
<b>-RE</b>	Acid resistant coated interior and exterior fabricated steel recessing receiver enclosed type for recessed installation. Furnished with adjustable support brackets and gasketed, non-skid, secured cover with removable lift handles.	100	<b>9,443.00</b>
		200	<b>10,905.00</b>
		300	<b>11,424.00</b>
		400	<b>12,445.00</b>
		500	<b>13,411.00</b>
		600	<b>13,873.00</b>
		700	<b>15,115.00</b>
800	<b>15,920.00</b>		
<b>-T</b>	Cover recessed for tile/terrazzo. A 3" minimum extension height is required. (Specify 'C' dimension and required recess depth: 1/8", 3/4", or 1-1/4".)	100	<b>POA</b>
		200	<b>POA</b>
		300	<b>7,310.00</b>
		400	<b>8,864.00</b>
		500	<b>9,912.00</b>
		600	<b>11,455.00</b>
		700	<b>14,060.00</b>
800	<b>19,535.00</b>		
		SIZE	LIST PRICE
<b>BEST SELLERS</b>			
Z1170-300-2IP			<b>5,870.00</b>
Z1170-600-3IP			<b>11,943.00</b>
Z1170-700-3IP			<b>14,759.00</b>
Z1170-700-3NH			<b>14,759.00</b>
Z1170-800-3IP			<b>19,544.00</b>
Z1170-800-4IP			<b>19,544.00</b>

\*Regularly furnished unless otherwise specified.  
Items designated as Best Sellers are most specified and are generally in stock for shipment.

Size	Inlet/Outlet inch [mm]	Flow Rate gpm [LPM]	Capacity		Approximate Weight lb [kg]	Dimensions in inches [mm]			
			Water gallon [L]	Grease lb [kg]		C	D/E	F	G
100	2 [51]	4 [15]	3 [11]	8 [4]	42 [19]	10 [254]	7-1/4 [184]	20-3/8 [518]	9-7/8 [251]
200		7 [26]	5 [19]	14 [6]	53 [24]	11-1/4 [286]	8-1/8 [206]	21-3/4 [552]	11-7/8 [302]
300		10 [38]	6 [23]	20 [9]	66 [30]	11-3/4 [298]	8-1/4 [210]	25-1/8 [638]	14 [356]
400	3 [76]	15 [57]	10 [38]	30 [14]	83 [38]	13-3/8 [340]	9-3/8 [238]	27-1/8 [689]	16-3/4 [425]
500		20 [76]	16 [61]	40 [18]	99 [45]	15 [381]	11-3/4 [298]	30 [762]	17-1/4 [438]
600		25 [95]	21 [79]	50 [23]	124 [56]	17 [432]	12-1/2 [318]	32-1/4 [819]	19-7/8 [505]
700		35 [132]	30 [114]	70 [32]	151 [68]	18-3/4 [476]	14-1/4 [362]	34-1/8 [867]	22-1/2 [572]
800		50 [189]	40 [151]	100 [45]	180 [82]	21-1/2 [546]	16 [406]	36 [914]	24-1/2 [622]

# Z1170-UN GREASE INTERCEPTOR WITH USER NOTIFICATION SYSTEM



## ENGINEERING SPECIFICATION

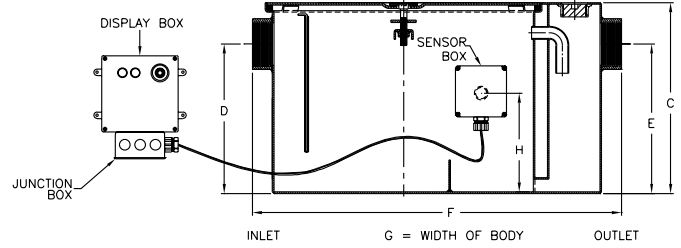
Zurn Z1170-UN grease interceptor features acid resistant coated interior and fabricated steel exterior, rated at \_\_\_ gpm and \_\_\_ lb grease capacity, internal air relief bypass, bronze cleanout plug, removable pressure equalizing/flow-diffusing inlet baffle, fixed bottom outlet fitting. Includes encased fiberglass sensor box containing an electronic grease level sensor and a fiberglass display box with green power light, red grease level light, audio alarm, and junction box. Regularly furnished with a high inlet and outlet connection.

## NOTES

1. Location of outlet from bottom of interceptor cannot be changed.
2. Factory installed sensor box is mounted on the left- or right-hand side of the unit when facing inlet (must be specified).
3. Power supply 120V GFCI.

## RECOMMENDED INSTALLATIONS

Sitting on the floor or recessed in a pit only. (A pit installation requires that a drain or sump pump be installed to keep the pit relatively dry.)



PREFIXES	DESCRIPTION	LIST PRICE	
Z1170-UN*	Acid Resistant Coated Fabricated Steel	POA	
ZS1170-UN	All Type 304 Fabricated Stainless Steel	POA	
SUFFIXES	SIZE	ADD	
-AL	Aluminum Cover	400 500-800	1,944.00 2,720.00
-L	Angle Type (Z1108-L) Flow Control Device with Plunger		N/C
-PW	Plug Wrench		122.00

Size	Inlet/Outlet inch [mm]	Flow Rate gpm [LPM]	Capacity		Approximate Weight lb [kg]	Dimensions in inches [mm]				
			Water gallon [L]	Grease lb [kg]		C	D/E	F	G	H
400	3 [76]	15 [57]	10 [38]	30 [14]	83 [38]	13-3/8 [340]	9-3/8 [238]	27-1/8 [689]	16-3/4 [425]	5-11/16 [144]
500		20 [76]	16 [61]	40 [18]	99 [45]	15 [381]	11-3/4 [298]	30 [762]	17-1/4 [438]	7-3/4 [197]
600		25 [95]	21 [79]	50 [23]	124 [56]	17 [432]	12-1/2 [318]	32-1/4 [819]	19-7/8 [505]	8-1/2 [216]
700		35 [132]	30 [114]	70 [32]	151 [68]	18-3/4 [476]	14-1/4 [362]	34-1/8 [867]	22-1/2 [572]	9-7/8 [251]
800		50 [189]	40 [151]	100 [45]	180 [82]	21-1/2 [546]	16 [406]	36 [914]	24-1/2 [622]	11 [279]

\*Regularly furnished unless otherwise specified.

Items designated as Best Sellers are most specified and are generally in stock for shipment.

For additional product information, please visit [www.zurn.com](http://www.zurn.com) | Patent [zurn.com/patents](http://zurn.com/patents)

INTRO  
ROOF DRAINS  
FLOOR DRAINS  
I, P, BW VALVES  
INTERCEPTORS  
CARRIERS  
HYDRANTS  
CLEANOUTS  
WHA  
SS DRAINS  
SANI-FLOOR  
TECH INFO

# ZS1170 GREASE INTERCEPTOR STAINLESS STEEL

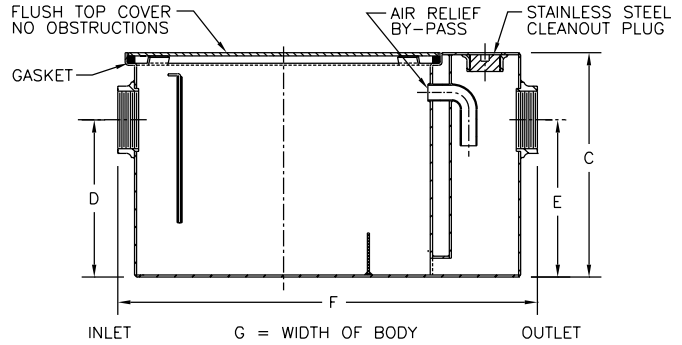


## ENGINEERING SPECIFICATION

Zurn ZS1170 all type 304 grease interceptor features fabricated stainless steel, PDI rated at \_\_\_ gpm and \_\_\_ lb grease capacity, internal air relief bypass, bronze, and visible double wall trap seal with removable combination pressure equalizing/flow-diffusing baffle and sediment tray. Gasketed, non-skid, secured cover comes complete with Z1108 flow control fitting. Regularly furnished inlet and outlet in high position.

## NOTES

Location of outlet from bottom of interceptor cannot be changed.



PREFIXES	DESCRIPTION	SIZE	LIST PRICE	
<b>ZS1170*</b>	All Type 304 Fabricated Stainless Steel	100	8,991.00	
		200	12,478.00	
		300	14,655.00	
		400	21,711.00	
		500	26,568.00	
		600	29,844.00	
		700	36,889.00	
		800	48,850.00	
SUFFIXES			ADD	
<b>-DI</b>	Dual High/Low Inlet		579.00	
<b>-E</b>	Fabricated stainless steel extension section (specify 'C' dimension required) for recessed installation.	SIZE	EA. ADDITIONAL 1" OVER 6"	UP TO 6"
		100	POA	POA
		200	POA	POA
		300	818.00	16,368.00
		400	921.00	16,816.00
		500	1,039.00	16,816.00
		600	1,178.00	17,926.00
		700	1,305.00	20,096.00
800	1,520.00	21,737.00		
<b>-HD</b>	Heavy duty traffic cover rated at 10,000 lbs. maximum safe live load. A 3" minimum extension height is required when Heavy Duty Cover (-HD) option is specified.	SIZE	ADD	
		100	17,678.00	
		200	19,798.00	
		300	21,282.00	
		400	22,898.00	
		500	24,240.00	
		600	25,591.00	
		700	28,281.00	
800	29,631.00			
<b>-K</b>	Anchor flange 1-3/4" down from top and 2" wide. A 3" minimum extension height is required when anchor flange (-K) option is specified (specify 'C' dimension required).	100	POA	
		200	POA	
		300	5,114.00	
		400	5,114.00	
		500	5,508.00	
		600	5,749.00	
		700	6,020.00	
		800	6,151.00	

SUFFIXES		SIZE	ADD	
<b>-KC</b>	Anchor flange 1-3/4" down from top and 2" wide with clamp collar. A 3" minimum extension height is required when anchor flange (-KC) option is specified.	100	POA	
		200	POA	
		300	6,151.00	
		400	6,151.00	
		500	6,151.00	
		600	6,846.00	
		700	7,390.00	
		800	8,097.00	
<b>-L</b>	Angle type (Z1108-L) flow control device with plunger (Acid Resistant Coated cast iron)		N/C	
<b>-R</b>	Fabricated stainless steel recessing receiver for recessed installation is equipped with adjustable support brackets and gasketed, non-skid, secured cover with removable lift handles.	100	20,637.00	
		200	23,636.00	
		300	24,629.00	
		400	26,369.00	
		500	28,069.00	
		600	28,793.00	
		700	30,064.00	
		800	31,755.00	
<b>-RE</b>	Fabricated stainless steel recessing receiver enclosed type for recessed installation. Furnished with adjustable support brackets and gasketed, non-skid, secured cover with removable lift handles.	100	23,597.00	
		200	27,260.00	
		300	28,555.00	
		400	31,095.00	
		500	33,511.00	
		600	34,662.00	
		700	37,776.00	
		800	39,798.00	
<b>-T</b>	Cover recessed for tile/terrazzo. A 3" minimum extension height is required. (Specify 'C' dimension and required recess depth: 1/8", 3/4", or 1-1/4".)	100	POA	
		200	POA	
		300	7,310.00	
		400	8,864.00	
		500	9,912.00	
		600	11,455.00	
		700	14,060.00	
		800	19,535.00	
BEST SELLERS			LIST PRICE	
ZS1170-500-3IP			26,568.00	
ZS1170-800-3IP			48,850.00	

Size	Inlet/Outlet inch [mm]	Flow Rate gpm [LPM]	Capacity		Approximate Weight lb [kg]	Dimensions in inches [mm]			
			Water gallon [L]	Grease lb [kg]		C	D/E	F	G
100	2 [51]	4 [15]	3 [11]	8 [4]	42 [19]	10 [254]	7-1/4 [184]	20-3/8 [518]	9-7/8 [251]
200		7 [26]	5 [19]	14 [6]	53 [24]	11-1/4 [286]	8-1/8 [206]	21-3/4 [552]	11-7/8 [302]
300		10 [38]	6 [23]	20 [9]	66 [30]	11-3/4 [298]	8-1/4 [210]	25-1/8 [638]	14 [356]
400	3 [76]	15 [57]	10 [38]	30 [14]	83 [38]	13-3/8 [340]	9-3/8 [238]	27-1/8 [689]	16-3/4 [425]
500		20 [76]	16 [61]	40 [18]	99 [45]	15 [381]	11-3/4 [298]	30 [762]	17-1/4 [438]
600		25 [95]	21 [79]	50 [23]	124 [56]	17 [432]	12-1/2 [318]	32-1/4 [819]	19-7/8 [505]
700		35 [132]	30 [114]	70 [32]	151 [68]	18-3/4 [476]	14-1/4 [362]	34-1/8 [867]	22-1/2 [572]
800		50 [189]	40 [151]	100 [45]	180 [82]	21-1/2 [546]	16 [406]	36 [914]	24-1/2 [622]

## Z1171 LOW PROFILE GREASE INTERCEPTOR

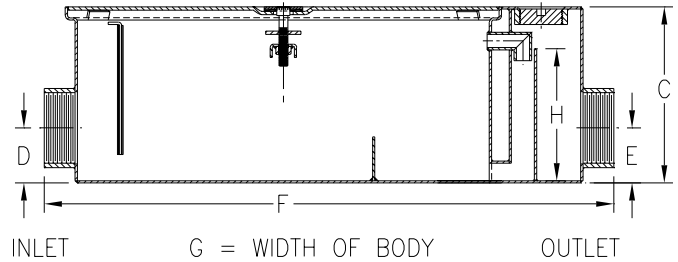


### ENGINEERING SPECIFICATION

Zurn Z1171 low profile grease interceptor features acid resistant coated interior and fabricated steel exterior, PDI rated at \_\_\_gpm and \_\_\_lb grease capacity, internal air relief bypass, bronze cleanout plug, removable pressure equalizing/flow-diffusing inlet baffle, fixed bottom outlet baffle, and visible double wall trap seal. Gasketed, non-skid, secured cover comes complete with center tie down assembly and Z1108 flow control fitting. Regularly furnished with 3" low inlet and outlet.\*

### CAUTION

Solids should not be permitted to enter a grease interceptor. Where solids are present, use a Zurn Z1183 or Z1183-DF solids interceptor (see pages 183 and 184). Installations using indirect piping to unit could result in standing water in floor sink or flooding if line blockage occurs. Interceptors must be maintained periodically in order to ensure proper operation of the system. Follow cleaning schedule based on usage.



PREFIXES	DESCRIPTION	SIZE	LIST PRICE
Z1171*	Acid Resistant Coated Fabricated Steel	500	14,330.00
		700	18,450.00
		800	31,261.00
ZS1171	All Type 304 Fabricated Stainless Steel		POA
SUFFIXES	DESCRIPTION		ADD
-L	Angle Type (Z1108-L) Flow Control Device with Plunger		N/C
-PW	Plug Wrench		122.00
BEST SELLERS			LIST PRICE
Z1171-500-3IP			14,330.00
ZS1171-500-3IP			POA
Z1171-700-3IP			18,450.00
ZS1171-700-3IP			POA
Z1171-800-3IP			31,261.00
Z1171-800-4IP			31,261.00

Size	Inlet/Outlet inch [mm]	Flow Rate gpm [LPM]	Capacity		Approximate Weight lb [kg]	Dimensions in inches [mm]				
			Water gallon [L]	Grease lb [kg]		C	D/E	F	G	H
500	3 [76]	20 [76]	15 [57]	40 [18]	102 [46]	10 [254]	3-1/8 [79]	32-3/8 [822]	20-3/4 [527]	6-3/4 [171]
700		35 [132]	30 [114]	70 [32]	172 [78]	10-3/4 [273]	3-5/16 [84]	43-1/2 [1105]		7 [178]
800		50 [189]	45 [170]	100 [45]	210 [95]	16 [406]	10 [254]	49-7/8 [1267]	29 [737]	10 [254]

\*Regularly furnished unless otherwise specified.

Items designated as Best Sellers are most specified and are generally in stock for shipment.

For additional product information, please visit [www.zurn.com](http://www.zurn.com) | Patent [zurn.com/patents](http://zurn.com/patents)

## Z1171-TD LOW PROFILE GREASE INTERCEPTOR WITH ACCUMULATING CONE AND FLOW CONTROL TEE

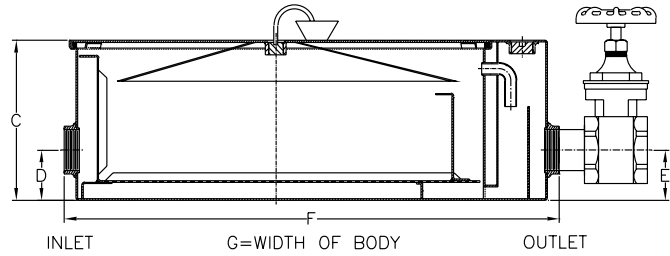


### ENGINEERING SPECIFICATION

Zurn Z1171-TD low profile grease interceptor features acid resistant coated interior and fabricated steel exterior, PDI rated at \_\_\_gpm and \_\_\_lb grease capacity, internal air relief bypass, bronze cleanout plug, and visible double wall trap seal with removable combination pressure equalizing/flow-diffusing baffle and sediment tray. Gasketed, non-skid, secured cover comes complete with draw-off port having bronze plug, grease accumulating cone, NPT to hose adapter, 2-foot flexible hose, hose clamp, and in-line closure valve, complete with Z1108 flow control fitting. Regularly furnished with 3" low inlet and outlet.

### CAUTION

Solids should not be permitted to enter a grease interceptor. Where solids are present, use a Zurn Z1183 or Z1183-DF solids interceptor (see pages 183 and 184). Installations using indirect piping to unit could result in standing water in floor sink or flooding if line blockage occurs. Interceptors must be maintained periodically in order to ensure proper operation of the system. Follow cleaning schedule based on usage.



PREFIXES	DESCRIPTION	SIZE	LIST PRICE
Z1171-TD*	Acid Resistant Coated Fabricated Steel	500	23,839.00
		700	33,607.00
		800	41,222.00

SUFFIXES	DESCRIPTION	ADD
-L	Angle Type (Z1108-L) Flow Control Device with Plunger	N/C
-PW	Plug Wrench	122.00

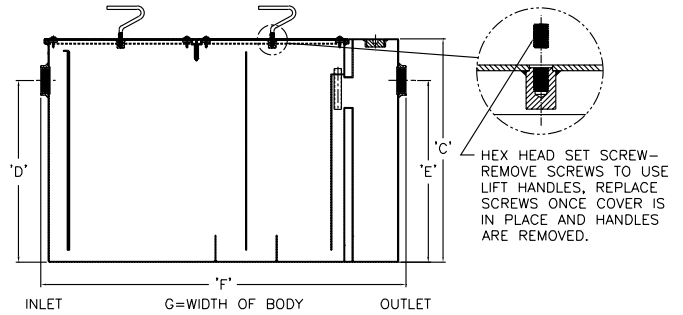
Size	Inlet/Outlet inch [mm]	Flow Rate gpm [LPM]	Capacity		Approximate Weight lb [kg]	Dimensions in inches [mm]				
			Water gallon [L]	Grease lb [kg]		C	D/E	F	G	H
500	3 [76]	20 [76]	15 [57]	40 [18]	102 [46]	10 [254]	3-1/8 [79]	31 [787]	21-1/8 [537]	6-3/4 [171]
700		35 [132]	30 [114]	70 [32]	172 [78]	10-3/4 [273]		42-1/8 [1070]	29-3/8 [746]	7 [178]
800		50 [189]	45 [170]	100 [45]	210 [95]	16 [406]	10 [254]	49-1/2 [1257]		10 [254]

# Z1172 LARGE CAPACITY GREASE INTERCEPTOR



## ENGINEERING SPECIFICATION

Zurn Z1172 large capacity grease interceptor features acid resistant coated interior and fabricated steel exterior, rated at \_\_\_ gpm and \_\_\_ lb grease capacity, internal air relief bypass, bronze cleanout plug (which can be used as a sampling port), and visible double wall trap seal with removable pressure equalizing/flow-diffusing baffle. Gasketed, non-skid, secured cover comes complete with removable lift handles, complete with flow control fitting. Regularly furnished with inlet and outlet in high position.



PREFIXES	DESCRIPTION	SIZE	LIST PRICE
Z1172*	Acid Resistant Coated Fabricated Steel	900	39,379.00
		1000	44,313.00
		1100	46,766.00
		1200	49,215.00
		1300	71,371.00
		1400	83,104.00
		1500	97,946.00
		1600	108,784.00
		1700	119,846.00
		1800	134,888.00
1900	141,852.00		

ZS1172 All Type 304 Fabricated Stainless Steel POA

SUFFIXES	DESCRIPTION	ADD
-AL	Aluminum Cover	POA

	DESCRIPTION	SIZE	EA. ADDITIONAL	
			1" OVER 10"	UP TO 10"
-E	Acid Resistant Coated interior and exterior fabricated steel extension section (specify 'C' dimension required) for recessed installation.	900	373.00	4,682.00
		1000	401.00	5,259.00
		1100	431.00	5,562.00
		1200	456.00	5,851.00
		1300	479.00	10,526.00
		1400	524.00	13,072.00
		1500	590.00	15,622.00
		1600	660.00	18,151.00
		1700	725.00	21,166.00
		1800	762.00	23,993.00
1900	785.00	27,276.00		

BEST SELLERS	LIST PRICE
Z1172-900-3IP	39,379.00
Z1172-1000-4IP	44,313.00
Z1172-1200-4IP	49,215.00
Z1172-1300-4IP	71,371.00
Z1172-1400-5IP	83,104.00
Z1172-1900-6IP	141,852.00

SUFFIXES	DESCRIPTION	SIZE	ADD
-HD	Heavy duty traffic cover rated at 10,000 lbs. maximum safe live load. A 3" minimum extension height is required when Heavy Duty Cover (-HD) option is specified.	900	12,515.00
		1000	17,219.00
		1100	18,895.00
		1200	22,110.00
		1300	25,218.00
		1400	34,805.00
		1500	44,680.00
		1600	52,686.00
		1700	60,674.00
		1800	69,332.00
1900	74,130.00		
-K	Anchor flange 1-3/4" down from top and 2" wide. A 3" minimum extension height is required when anchor flange (-K) option is specified (specify 'C' dimension required).	900	2,876.00
		1000	3,217.00
		1100	3,856.00
		1200	4,496.00
		1300	4,815.00
		1400	6,420.00
		1500	7,265.00
-KC	Anchor flange 1-3/4" down from top and 2" wide with clamp collar. A 3" minimum extension height is required when anchor flange (-KC) option is specified.	900	5,225.00
		1000	5,844.00
		1100	6,533.00
		1200	7,233.00
		1300	8,455.00
		1400	11,397.00
		1500	12,294.00
		1600	13,624.00
		1700	14,276.00
		1800	10,888.00
1900	16,202.00		
-L	Angle type (Z1108-L) flow control device with plunger		N/C
-PW	Plug Wrench		122.00
-RE	Recessing receiver enclosed type for recessed installation. Furnished with gasketed, non-skid cover with removable lift handles. (Sizes 900 & 1000 Only)		POA

Size	Inlet/Outlet inch [mm]	Flow Rate gpm [LPM]	Capacity		No. of Covers	Approximate Weight lb [kg]	Dimensions in inches [mm]			
			Water gallon [L]	Grease lb [kg]			C	D/E	F	G
900	3 [76]	75 [284]	65 [246]	150 [68]	1	316 [143]	22-3/4 [578]	18-1/2 [470]	36 [914]	28-5/8 [727]
1000		100 [379]	110 [416]	200 [91]		408 [185]	27 [686]	23 [584]	42-3/4 [1086]	33-5/8 [854]
1100		125 [473]	150 [568]	250 [113]		749 [340]	30-1/8 [765]	24-1/2 [622]	49-1/4 [1251]	40 [1016]
1200	4 [102]	150 [568]	195 [738]	300 [136]	2	856 [388]	30-3/4 [781]	25-1/4 [641]	56 [1422]	41-5/8 [1057]
1300		200 [757]	270 [1022]	400 [1881]		1016 [461]	35-1/2 [902]	29-7/8 [759]	61 [1549]	43-5/8 [1108]
1400		250 [946]	465 [1760]	500 [227]		1384 [628]	41 [1041]	36 [914]	71 [1803]	51-5/8 [1311]
1500	5 [127]	300 [1136]	665 [2517]	600 [272]	2	1770 [803]	46-1/4 [1175]	39-5/8 [1006]	80 [2032]	58-5/8 [1489]
1600		350 [1325]	865 [3274]	700 [318]		2096 [951]	50-1/2 [1283]	43-7/8 [1114]	87 [2210]	63-5/8 [1616]
1700		400 [1514]	1095 [4145]	800 [363]		2440 [1107]	54-1/4 [1378]	47-5/8 [1210]	94 [2388]	67 [1702]
1800	6 [152]	450 [1703]	1280 [4845]	900 [408]	3	2710 [1229]	55-1/4 [1403]	48-5/8 [1235]	100 [2540]	72 [1829]
1900		500 [1893]	1440 [5451]	1000 [454]		2857 [1296]	57-1/4 [1454]	51-5/8 [1311]	104 [2642]	74 [1880]

\*Regularly furnished unless otherwise specified.

Items designated as Best Sellers are most specified and are generally in stock for shipment.

For additional product information, please visit [www.zurn.com](http://www.zurn.com) | Patent [zurn.com/patents](http://zurn.com/patents)



# Z1172-UN LARGE CAPACITY GREASE INTERCEPTOR WITH USER NOTIFICATION SYSTEM



## ENGINEERING SPECIFICATION

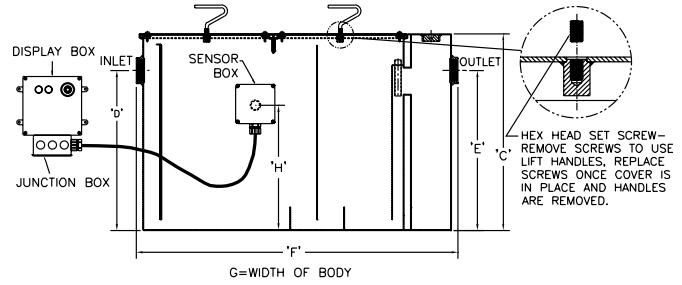
Zurn Z1172-UN Large capacity, Acid Resistant Coated interior and exterior fabricated steel grease interceptor, rated at \_\_\_gpm and \_\_\_lbs. grease capacity, with internal air relief bypass, bronze cleanout plug, and visible double wall trap seal with removable pressure equalizing/flow-diffusing baffle. Gasketed, non-skid, secured cover with removable lift handles complete with flow control fitting. Includes encased fiberglass sensor box containing an electronic grease level sensor (specify right or left side<sup>†</sup>), a fiberglass display box with one green power light, red grease level light, audio alarm, and junction box. Regularly furnished with inlet and outlet in high position.

## NOTES

1. Location of inlet/outlet from bottom of interceptor cannot be changed. Power supply 120V GFCI.
2. <sup>†</sup>Sensor box is mounted on the left- or right-hand side of the unit when facing inlet (must be specified).
3. Sizes 900 and 1000 require one cover.
4. Sizes 1100 and 1600 require two covers.
5. Sizes 1700 thru 1900 require three covers.

## RECOMMENDED INSTALLATIONS

Sitting on the floor or recessed in a pit only. (A pit installation requires that a drain or sump pump be installed to keep the pit relatively dry.)



PREFIXES	DESCRIPTION	SIZE	LIST PRICE
<b>Z1172-UN*</b>	Acid Resistant Coated Fabricated Steel	900	<b>56,206.00</b>
		1000	<b>61,141.00</b>
		1100	<b>63,591.00</b>
		1200	<b>66,049.00</b>
		1300	<b>88,203.00</b>
		1400	<b>99,935.00</b>
		1500	<b>114,776.00</b>
		1600	<b>125,612.00</b>
		1700	<b>136,676.00</b>
		1800	<b>151,724.00</b>
1900	<b>158,682.00</b>		
<b>ZS1172</b>	All Type 304 Fabricated Stainless Steel		<b>POA</b>
SUFFIXES	DESCRIPTION		ADD
<b>-AL</b>	Aluminum Cover		<b>POA</b>
<b>-L</b>	Angle type (Z1108-L) flow control device with plunger		<b>N/C</b>
<b>-PW</b>	Plug Wrench		<b>122.00</b>
<b>BEST SELLER</b>			<b>LIST PRICE</b>
<b>Z1172-UN-1100</b>			<b>63,591.00</b>

Size	Inlet/Outlet inch [mm]	Flow Rate gpm [LPM]	Capacity		Approximate Weight lb [kg]	Dimensions in inches [mm]				
			Water gallon [L]	Grease lb [kg]		C	D/E	F	G	H
900	3 [76]	75 [284]	65 [246]	150 [68]	316 [143]	22-3/4 [578]	18-1/2 [470]	36 [914]	28-5/8 [727]	11-1/4 [286]
1000		100 [379]	110 [416]	200 [91]	408 [185]	27 [686]	23 [584]	42-3/4 [1086]	33-5/8 [854]	16-1/8 [410]
1100		125 [473]	150 [568]	250 [113]	749 [340]	30-1/8 [765]	24-1/2 [622]	49-1/4 [1251]	40 [1016]	16-5/16 [414]
1200	4 [102]	150 [568]	195 [738]	300 [136]	856 [388]	30-3/4 [781]	25-1/4 [641]	56 [1422]	41-5/8 [1057]	18-1/16 [459]
1300		200 [757]	270 [1022]	400 [181]	1016 [461]	35-1/2 [902]	29-7/8 [759]	61 [1549]	43-5/8 [1108]	21-7/8 [556]
1400	5 [127]	250 [946]	465 [1760]	500 [227]	1384 [628]	41 [1041]	36 [914]	71 [1803]	51-5/8 [1311]	28-9/16 [713]
1500		300 [1136]	665 [2517]	600 [272]	1770 [803]	46-1/4 [1175]	39-5/8 [1006]	80 [2032]	58-5/8 [1489]	32-1/2 [826]
1600	6 [152]	350 [1325]	865 [3274]	700 [318]	2096 [951]	50-1/2 [1283]	43-7/8 [1114]	87 [2210]	63-5/8 [1616]	35-7/8 [911]
1700		400 [1514]	1095 [4145]	800 [363]	2440 [1107]	54-1/4 [1378]	47-5/8 [1210]	94 [2388]	67 [1702]	39-3/4 [1010]
1800		450 [1703]	1280 [4845]	900 [408]	2710 [1229]	55-1/4 [1403]	48-5/8 [1235]	100 [2540]	72 [1829]	40-7/8 [1038]
1900		500 [1893]	1440 [5451]	1000 [454]	2857 [1296]	57-1/4 [1454]	51-5/8 [1311]	104 [2642]	74 [1880]	43-5/8 [1108]

# Z1173 EJECTO-MATIC GREASE INTERCEPTOR



## ENGINEERING SPECIFICATION

Zurn Z1173 ejecto-matic grease interceptor features acid resistant coated interior and fabricated steel exterior, PDI rated at \_\_\_gpm and \_\_\_lb grease capacity, internal air relief bypass, bronze cleanout plug, and visible double wall trap seal with removable combination pressure equalizing/flow-diffusing baffle and sediment tray and grease retention tray adjacent to grease draw-off valve. Gasketed, non-skid, secured cover comes complete with Z1108 flow control fitting. Regularly furnished with high inlet and outlet connection.

## NOTES

1. Location of outlet from bottom of interceptor cannot be changed. Draw-off connection regularly furnished on outlet side.
2. On sizes #200 and #300, the grease draw-off valve is located on the left-hand side of the trap when facing the inlet, instead of on the outlet side as shown.

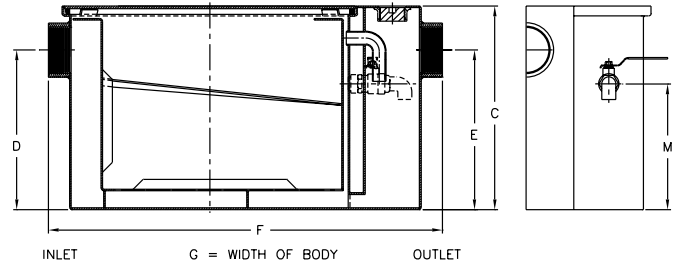
## CAUTION

Solids should not be permitted to enter a grease interceptor.

Where solids are present, use a Zurn Z1183 or Z1183-DF solids interceptor (see pages 183 and 184).

Installations using indirect piping to unit could result in standing water in floor sink or flooding if line blockage occurs.

Interceptors must be maintained periodically in order to ensure proper operation of the system. Follow cleaning schedule based on usage.



PREFIXES	DESCRIPTION	SIZE	LIST PRICE
<b>Z1173*</b>	Acid Resistant Coated Fabricated Steel	200	7,153.00
		300	9,475.00
		400	10,720.00
		500	13,170.00
		600	16,281.00
		700	18,242.00
		800	21,700.00
900	26,700.00		
<b>ZS1173</b>	All Type 304 Fabricated Stainless Steel		POA
SUFFIXES	DESCRIPTION	SIZE	ADD
-L	Angle type (Z1108-L) flow control device with plunger		N/C
-PW	Plug Wrench		122.00
<b>-R</b>	Acid Resistant Coated interior and exterior fabricated steel recessing receiver for recessed installation. Furnished with adjustable support brackets and gasketed, non-skid, secured cover with removable lift handles.	200	8,561.00
		300	9,937.00
		400	11,044.00
		500	11,219.00
		600	11,424.00
		700	12,210.00
		800	12,321.00
900	14,979.00		
<b>-RE</b>	Acid Resistant Coated interior and exterior fabricated steel recessing receiver enclosed type for recessed installation. Furnished with adjustable support brackets and gasketed, non-skid, secured cover with removable lift handles.	200	10,479.00
		300	11,905.00
		400	13,241.00
		500	13,689.00
		600	14,232.00
		700	15,302.00
		800	15,797.00
900	19,430.00		
BEST SELLERS			LIST PRICE
Z1173-600-2IP			16,281.00
Z1173-800-4IP-RE			37,497.00

Size	Inlet/Outlet inch [mm]	Flow Rate gpm [LPM]	Capacity		Approximate Weight lb [kg]	Dimensions in inches [mm]				
			Water gallon [L]	Grease lb [kg]		C	D/E	F	G	M C/L Valve
200	2 [51]	7 [26]	5 [19]	14 [6]	56 [25]	11-1/4 [286]	8-1/8 [206]	21-3/4 [552]	11-7/8 [302]	6-1/8 [156]
300		10 [38]	6 [23]	20 [9]	70 [32]	11-3/4 [298]	8-1/4 [210]	25-1/8 [638]	14 [356]	5-3/4 [146]
400	3 [76]	15 [57]	10 [38]	30 [14]	87 [39]	13-3/8 [340]	9-3/8 [238]	27-1/8 [689]	16-3/4 [425]	6-7/8 [175]
500		20 [76]	16 [61]	40 [18]	104 [47]	15 [381]	11-3/4 [298]	30 [762]	17-1/4 [438]	9-1/4 [235]
600		25 [95]	21 [79]	50 [23]	129 [59]	17 [432]	12-1/2 [318]	32-1/4 [819]	19-7/8 [505]	9-1/2 [241]
700		35 [132]	30 [114]	70 [32]	156 [71]	18-3/4 [476]	14-1/4 [362]	34-1/8 [867]	22-1/2 [572]	11-1/4 [286]
800		50 [189]	40 [151]	100 [45]	186 [84]	21-1/2 [546]	16 [406]	36 [914]	24-1/2 [622]	13 [330]
900		75 [284]	65 [246]	150 [68]	316 [143]	22-3/4 [578]	18-1/2 [470]		28-5/8 [727]	15-1/2 [394]

\*Regularly furnished unless otherwise specified.

Items designated as Best Sellers are most specified and are generally in stock for shipment.

For additional product information, please visit [www.zurn.com](http://www.zurn.com) | Patent [zurn.com/patents](http://zurn.com/patents)

INTRO ROOF DRAINS FLOOR DRAINS T, P, BW VALVES INTERCEPTORS CARRIERS HYDRANTS CLEANOUTS WHA SS DRAINS SANI-FLOOR TECH INFO

# Z1173-TD EJECTO-MATIC GREASE INTERCEPTOR WITH GREASE ACCUMULATING CONE AND IN-LINE SHUTOFF VALVE



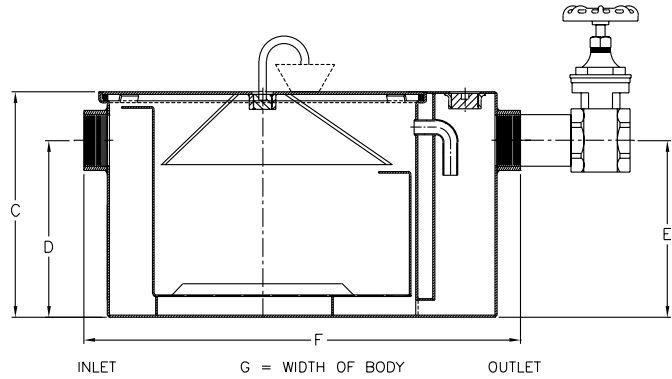
Sizes  
200-800

## ENGINEERING SPECIFICATION

Zurn Z1173-TD ejecto-matic grease interceptor features acid resistant coated interior and fabricated steel exterior, PDI rated at \_\_\_gpm and \_\_\_lb grease capacity, internal air relief bypass, bronze cleanout plug, and visible double wall trap seal with removable combination pressure equalizing/flow-diffusing baffle and sediment tray. Gasketed, non-skid, secured cover comes complete with draw-off port having a bronze plug, grease accumulating cone, NPT to hose adapter, 2-foot flexible hose, hose clamp, in-line closure valve, and Z1108 flow control fitting. Regularly furnished with high inlet and outlet connection.

## NOTES

Location of outlet from bottom of interceptor cannot be changed.

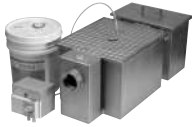


PREFIXES	DESCRIPTION	SIZE	LIST PRICE
Z1173-TD*	Acid Resistant Coated Fabricated Steel	200	12,761.00
		300	15,088.00
		400	16,077.00
		500	20,666.00
		600	23,968.00
		700	24,595.00
		800	28,080.00
		900	33,396.00

SUFFIXES	DESCRIPTION	SIZE	ADD
-L	Angle type (Z1108-L) flow control device with plunger		N/C
-PW	Plug Wrench		122.00
-R	Acid Resistant Coated interior and exterior fabricated steel recessing receiver for recessed installation. Furnished with adjustable support brackets and gasketed, non-skid, secured cover with removable lift handles.	200	10,272.00
		300	11,922.00
		400	13,248.00
		500	13,460.00
		600	13,710.00
		700	14,655.00
		800	14,791.00
	900	17,961.00	
-RE	Acid Resistant Coated interior and exterior fabricated steel recessing receiver enclosed type for recessed installation. Furnished with adjustable support brackets and gasketed, non-skid, secured cover with movable lift handles.	200	12,571.00
		300	14,282.00
		400	15,884.00
		500	16,436.00
		600	17,077.00
		700	18,323.00
		800	18,949.00
	900	23,304.00	
<b>BEST SELLER</b>			<b>LIST PRICE</b>
Z1173-600-4IP-TD			23,968.00

Size	Inlet/Outlet inch [mm]	Flow Rate gpm [LPM]	Capacity		Approximate Weight lb [kg]	Dimensions in inches [mm]			
			Water gallon [L]	Grease lb [kg]		C	D/E	F	G
200	2 [51]	7 [26]	5 [19]	14 [6]	56 [25]	11-1/4 [286]	8-1/8 [206]	21-3/4 [552]	11-7/8 [302]
300		10 [38]	6 [23]	20 [9]	70 [32]	11-3/4 [298]	8-1/4 [210]	25-1/8 [638]	14 [356]
400	3 [76]	15 [57]	10 [38]	30 [14]	87 [39]	13-3/8 [340]	9-3/8 [238]	27-1/8 [689]	16-3/4 [425]
500		20 [76]	16 [61]	40 [18]	104 [47]	15 [381]	11-3/4 [298]	30 [762]	17-1/4 [438]
600		25 [95]	21 [79]	50 [23]	129 [59]	17 [432]	12-1/2 [318]	32-1/4 [819]	19-7/8 [505]
700		35 [132]	30 [114]	70 [32]	156 [71]	18-3/4 [476]	14-1/4 [362]	34-1/8 [867]	22-1/2 [572]
800		50 [189]	40 [151]	100 [45]	186 [84]	21-1/2 [546]	16 [406]	36 [914]	24-1/2 [622]
900		75 [284]	65 [246]	150 [68]	316 [143]	22-3/4 [578]	18-1/2 [470]		28-5/8 [727]

# Z1174 GREASE EATING BACTERIA DOSING UNIT AND SOLIDS INTERCEPTOR COMBINATION



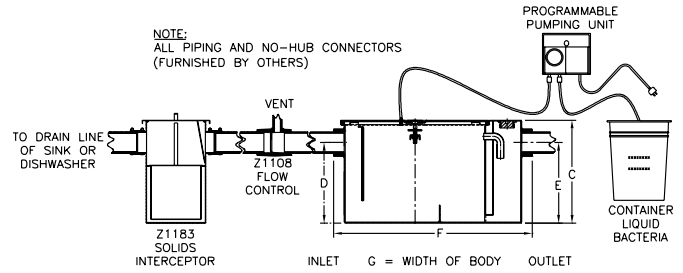
ZS1174 Shown. Z is Standard.

## ENGINEERING SPECIFICATION

Zurn Z1174 grease interceptor with automatic bacteria dosing unit features acid resistant coated interior and exterior fabricated steel exterior, rated at \_\_\_\_\_ gpm and \_\_\_\_\_ lb grease capacity, internal air relief bypass, bronze cleanout plug, and visible double wall trap seal with removable pressure equalizing/flow-diffusing inlet baffle and fixed bottom outlet baffle. Gasketed, non-skid, secured cover comes complete with center tie down assembly and Z1108 flow control fitting. Furnished with Z1183 ARC solids interceptor, 110 VAC pump, pump mounting hardware, 15 feet of poly tubing and 5 gallons of grease-eating bacteria. Regularly furnished with inlet and outlet in high position.

## NOTES

Location of outlet from bottom for interceptor cannot be changed.



PREFIXES	DESCRIPTION	SIZE	LIST PRICE
Z1174*	Acid Resistant Coated Fabricated Steel	100	11,993.00
		200	12,675.00
		300	14,229.00
		400	15,300.00
		500	18,602.00
		600	20,947.00
		700	22,747.00
		800	26,485.00
ZS1174	All Type 304 Fabricated Stainless Steel	100	29,067.00
		200	31,684.00
		300	35,557.00
		400	38,248.00
		500	46,490.00
		600	46,667.00
		700	56,860.00
		800	66,199.00

SUFFIXES	DESCRIPTION	ADD
-CS	Custom screens (for Z1183) Specify material and perforation size required.	POA
-LS	Less Solids Interceptor	POA
-P	Pump only, 110 VAC	4,173.00
-PW	Plug Wrench	122.00
-RK	Retrofit kit, pump and bacteria (5-gal.) only	5,619.00
-YR	Replacement stainless steel basket assembly	POA
-1	One-gallon grease eating bacteria only	308.00
-5	Five-gallon grease eating bacteria only	1,088.00

Size	Inlet/Outlet inch [mm]	Flow Rate gpm [LPM]	Capacity		Approximate Weight lb [kg]	Dimensions in inches [mm]			
			Water gallon [L]	Grease lb [kg]		C	D/E	F	G
100	2 [51]	4 [15]	3 [11]	8 [4]	60 [27]	10 [254]	7-1/4 [184]	20-3/8 [518]	9-7/8 [251]
200		7 [26]	5 [19]	14 [6]	76 [34]	11-1/4 [286]	8-1/8 [206]	21-3/4 [552]	11-7/8 [302]
300	3 [76]	10 [38]	6 [23]	20 [9]	93 [42]	11-3/4 [298]	8-1/4 [210]	25-1/8 [638]	14 [356]
400		15 [57]	10 [38]	30 [14]	116 [53]	13-3/8 [340]	9-3/8 [238]	27-1/8 [689]	16-3/4 [425]
500		20 [76]	16 [61]	40 [18]	136 [62]	15 [381]	11-3/4 [298]	30 [762]	17-1/4 [438]
600		25 [95]	21 [79]	50 [23]	169 [77]	17 [432]	12-1/2 [318]	32-1/4 [819]	19-7/8 [505]
700		35 [132]	30 [114]	70 [32]	209 [95]	18-3/4 [476]	14-1/4 [362]	34-1/8 [867]	22-1/2 [572]
800		50 [189]	40 [151]	100 [45]	239 [108]	21-1/2 [546]	16 [406]	36 [914]	24-1/2 [622]

\*Regularly furnished unless otherwise specified.

Items designated as Best Sellers are most specified and are generally in stock for shipment.

For additional product information, please visit [www.zurn.com](http://www.zurn.com) | Patent [zurn.com/patents](http://zurn.com/patents)

## SOLIDS INTERCEPTORS – GENERAL PRODUCT INFORMATION

Zurn solids interceptors are specifically designed to capture and retain solid particles for a variety of different drain line applications. Units are available in Dura-Coated cast iron, bronze, Acid Resistant Coated steel and stainless steel, along with a multitude of screens designed for each application. If you require a solids interceptor not listed, phone 855-ONE-ZURN, or contact your local Zurn sales representative. Special screens and sizes are available to meet almost any need.

## SOLIDS INTERCEPTORS – APPLICATION INDEX

Product selection should be made with a specific application and the type of construction in mind. The varied types and sizes of Zurn interceptors, along with their options, offer a selection for all applications.

APPLICATION	RECOMMENDED INTERCEPTOR
Food Preparation	Z1181, Z1182, Z1183, Z1183-DF, Z1183-FC
Hair Salons	Z1175, Z1176, Z1180, Z1184
Plaster	Z1180, Z1181
Barium	Z1180
Fish Scales	Z1181, Z1183, Z1183-FC, Z1185
Garbage Disposal	Z1181, Z1182, Z1183, Z1183-DF, Z1183-FC
Laundry, Clothes Washers	Z1185
With Z1170 and Z1173 Interceptors	Z1181, Z1182, Z1183, Z1183-DF, Z1183-FC

## SOLIDS INTERCEPTORS – SIZING

All Zurn solids interceptors are designed for gravity flow where minimal head is expected. Zurn solids interceptors are designed to accommodate the flow rate of their inlet and outlet pipe size, provided they are maintained and kept clean.

Zurn solids interceptors should be sized by both expected flow rate and holding capacity. Z1185 lint interceptors must, however, be sized for the number of washing machines which they serve. Sizing for the Z1181 solids interceptor should be sized by the number and size of the sinks being served as is the case with the Z1170 grease interceptor.

Fixture Compartment Size (Inches)	Number of Compartments	Drainage Load (Gallons)	Recommended Size Solids interceptors	
			One-minute Drainage Period	Two-minute Drainage Period
18 x 12 x 6	1	4.2	7	4
16 x 14 x 8	1	5.8	7	4
20 x 18 x 8	1	9.4	10	7
18 x 16 x 8	2	15.0	15	10
20 x 18 x 8	2	18.7	20	10
30 x 20 x 8	1	15.5	20	10
24 x 20 x 12	1	18.7	20	10
22 x 20 x 8	2	23.0	25	15
22 x 20 x 12	2	34.0	35	20
24 x 24 x 12	2	44.9	50	25

## Z1175 HAIR INTERCEPTOR

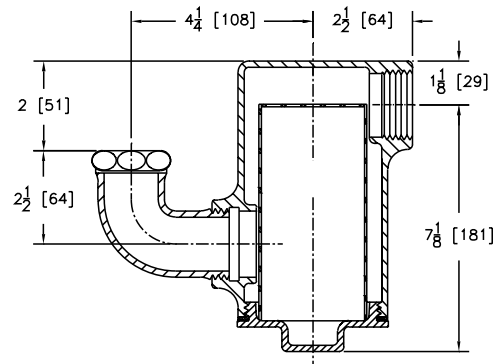


### ENGINEERING SPECIFICATION

Zurn Z1175 Dura-Coated cast iron hair and solids interceptor, in lieu of fixture "P" trap, with 1-1/2" slip joint elbow inlet and 1-1/2" threaded side outlet, perforated stainless steel basket, removable from bottom, with flanged and gasketed, slotted cleanout cover with raised head. Perforation size is 1/8".

Inlet/Outlet inch [mm]	Approximate Weight lb [kg]
1-1/2 [38]	8 [4]

PREFIXES	DESCRIPTION	LIST PRICE
Z1175*	Standard Assembly (See Engineering Specification)	1,434.00
ZAB1175	All Satin Finish	2,627.00
SUFFIXES	DESCRIPTION	ADD
-CP	Chrome Plated Finish Interior and Exterior (ZAB Only)	832.00
-YR	Replacement Stainless Steel Basket	411.00
BEST SELLER		LIST PRICE
Z1175-1-1/2IP		1,434.00



## Z1176 HAIR INTERCEPTOR

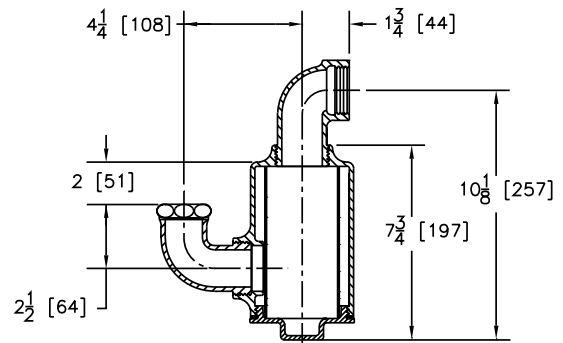


### ENGINEERING SPECIFICATION

Zurn Z1176 hair and solids interceptor works in lieu of fixture "P" trap. Features Dura-Coated cast iron construction, 1-1/2" slip joint elbow inlet and 1-1/2" threaded swivel elbow top outlet, perforated stainless steel basket, removable from bottom, and flanged and gasketed cleanout cover with raised head. Perforation size is 1/8".

Inlet/Outlet inch [mm]	Approximate Weight lb [kg]
1-1/2 [38]	8 [4]

PREFIXES	DESCRIPTION	LIST PRICE
Z1176*	Standard Assembly (See Engineering Specification)	2,000.00
ZAB1176	All Satin Finish	3,173.00
SUFFIXES	DESCRIPTION	ADD
-CP	Chrome Plated Finish Interior and Exterior (ZAB Only)	931.00
-YR	Replacement Stainless Steel Basket	411.00
BEST SELLER		LIST PRICE
Z1176-1-1/2IP		2,000.00



\*Regularly furnished unless otherwise specified.

Items designated as Best Sellers are most specified and are generally in stock for shipment.

For additional product information, please visit [www.zurn.com](http://www.zurn.com) | Patent [zurn.com/patents](http://zurn.com/patents)

## Z1180 SOLIDS INTERCEPTOR



### ENGINEERING SPECIFICATION

Zurn Z1180 solids interceptor works in lieu of fixture "P" trap. Features acid resistant composite, on-floor installation, removable PVC sediment bucket with a removable 3/32" diameter perforated flow defusing/intercepting PVC screen, top access, gasketed, secured cover, stainless steel draw latches and hardware with an ABS handle for easy removal of sediment bucket and screen.

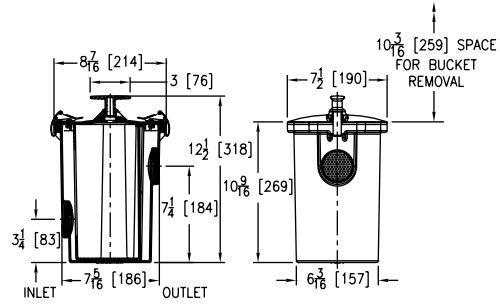
### NOTES

\*Regularly furnished with 2" threaded low inlet and high outlet.

### CAUTION

Interceptors must be maintained periodically in order to ensure proper operation of the system. Follow cleaning schedule based on usage.

Inlet/Outlet inch [mm]	Flow Rate gpm [LPM]	Approximate Weight lb [kg]
1-1/2 [38], 2 [51]*	15 [57]	6 [3]



PREFIXES	DESCRIPTION	LIST PRICE
Z1180*	Standard Assembly (See Engineering Specification)	2,036.00
ZA1180	Acid Resistant Coated Fabricated Steel (Design different than what is shown.)	3,356.00

SUFFIXES	DESCRIPTION	ADD
-CS	Custom Screens (Specify material and perforation size required.)	POA
-RS	Replacement 3/32" Diameter Perforated Screen for Bucket	431.00
-SS	Stainless Steel 3/32" Diameter Perforated Screen for Bucket	640.00
-Y	Replacement Bucket Assembly with 3/32" Diameter Perforated Screen	827.00

BEST SELLERS	LIST PRICE
Z1180-1-1/2IP	2,036.00
Z1180-1-1/2-SS	2,676.00
Z1180-2IP	2,036.00
Z1180-2IP-SS	2,676.00
ZA1180-2IP	3,356.00
ZA1180-2IP-SS	3,996.00

## Z1181 SOLIDS INTERCEPTOR



### ENGINEERING SPECIFICATION

Zurn Z1181 solids interceptor features large capacity, acid resistant coated interior and fabricated steel exterior. Works in lieu of fixture "P" trap for on-floor or flush with floor installation. Furnished with a removable, acid resistant coated fabricated steel bucket with removable primary (3/8" diameter holes) and secondary (3/32" diameter holes) flow diffusing/intercepting brass screens, and complete with a top access, gasketed, secured cover.

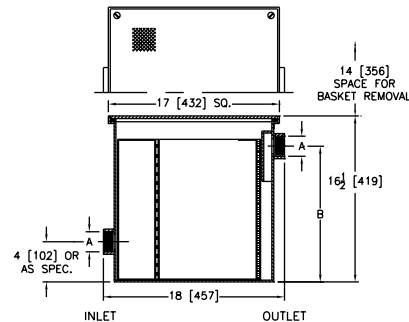
### NOTES

\*Regularly furnished with 2" threaded low inlet and high outlet.

### CAUTION

Interceptors must be maintained periodically in order to ensure proper operation of the system. Follow cleaning schedule based on usage.

A Inlet/Outlet inch [mm]	B	Flow Rate gpm [LPM]	Approximate Weight lb [kg]
1-1/2 [38], 2 [51]*	13-1/2 [343]	30 [114]	40 [18]
3 [76]	13 [330]		



PREFIXES	DESCRIPTION	A INLET/OUTLET	LIST PRICE
Z1181*	Standard Assembly (See Engineering Specification)	1-1/2", 2"	7,520.00
		3"	7,700.00

SUFFIXES	DESCRIPTION	A INLET/OUTLET	ADD
-CS	Custom Screens (Specify material and perforation size required.)		POA
-R	Acid Resistant Coated Interior and Exterior Fabricated Steel Recessing Receiver for Recessed Installation is Equipped with Adjustable Support Brackets and Gasketed, Non-Skid, secured cover with removable Lift Handle		9,857.00
-SS	Stainless Steel Perforated Screens for Bucket (Specify perforation size.)	1-1/2", 2"	1,152.00
		3"	1,320.00
-Y	Replacement Bucket Assembly with Perforated Screens	1-1/2", 2"	3,301.00
		3"	3,470.00

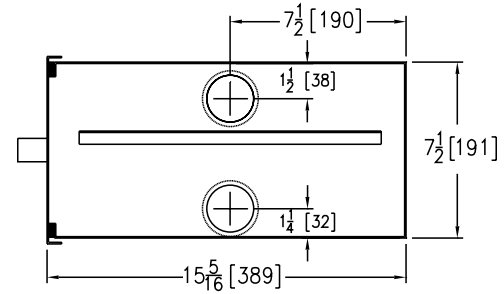
BEST SELLERS	LIST PRICE
Z1181-1-1/2IP	7,520.00
Z1181-2IP	7,520.00
Z1181-2IP-SS	8,672.00
Z1181-3IP	7,700.00
Z1181-3IP-R	17,557.00

## Z1182 SIDE ACCESS SOLIDS INTERCEPTOR



### ENGINEERING SPECIFICATION

Zurn Z1182 side access solids interceptor features stainless steel construction. Ideal for suspended or under sink installations where there are height restrictions for a top removal solids interceptor. Furnished with removable sediment basket attached to a removable, gasketed, latched lid. All units have a high inlet and a low outlet on each side for right- or left-hand mounting.



$$\text{WIDTH} = 11\frac{1}{2} [292]$$

PREFIXES	DESCRIPTION	LIST PRICE
ZS1182*	All Type 304 Fabricated Stainless Steel	12,484.00
SUFFIXES	DESCRIPTION	ADD
-YR	Replacement Stainless Steel Basket Assembly	4,072.00
BEST SELLER		LIST PRICE
Z1182-2IP		12,484.00

Inlet/Outlet inch [mm]	Flow Rate gpm [LPM]
2 [51]	35 [132]

## Z1183 SOLIDS INTERCEPTOR

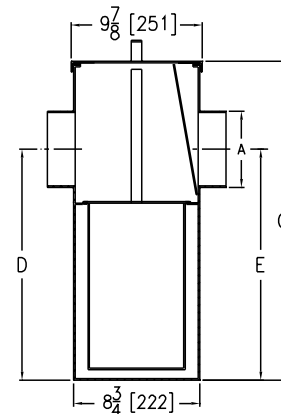


### ENGINEERING SPECIFICATION

Zurn Z1183 solids interceptor features large capacity, acid resistant coated fabricated steel or stainless steel construction. Ideal for on floor or semi-recessed installation cores with screen attached to gasketed, removable, latched lid and removable sediment basket. Size to be used with corresponding Z1170, Z1172, or Z1173 grease interceptors.

### CAUTION

Interceptors must be maintained periodically in order to ensure proper operation of the system. Follow cleaning schedule based on usage.



INLET G=WIDTH OF BODY OUTLET

PREFIXES	DESCRIPTION	SIZE	LIST PRICE
Z1183*	Acid Resistant Coated Fabricated Steel	100	2,948.00
		200	3,020.00
		300	3,173.00
		400	3,491.00
		500	3,777.00
		600	4,194.00
		700	4,529.00
		800	4,951.00
		900	5,469.00
		ZS1183	All Type 304 Fabricated Stainless Steel
200	4,863.00		
300	5,237.00		
400	5,901.00		
500	6,417.00		
600	7,466.00		
700	8,369.00		
800	9,428.00		
900	10,561.00		
SUFFIXES	DESCRIPTION		
-CS	Custom Screens (Specify material and perforation size required.)	POA	
-YR	Replacement Stainless Steel Basket Assembly	POA	
BEST SELLERS		LIST PRICE	
Z1183-200-2NH		3,020.00	
Z1183-500-3NH		3,777.00	

Size	Inlet/Outlet inch [mm]	Flow Rate gpm [LPM]	Solid Capacity cu ft [cm <sup>3</sup> ]	Dimensions in inches [mm]			Approximate Weight lb [kg]
				C	D/E	G	
100	2 [51]	4 [15]	0.20 [0.066]	10 [254]	7-1/4 [184]	9-7/8 [251]	18 [8]
200		7 [26]	0.29 [0.08]	11-1/8 [283]	8-1/8 [206]	11-7/8 [302]	23 [10]
300	3 [76]	10 [38]	0.33 [0.09]	11-3/4 [298]	8-1/4 [210]	14 [356]	27 [12]
400		15 [57]	0.38 [0.11]	13-3/8 [340]	9-3/8 [238]	16-3/4 [425]	33 [15]
500		20 [76]	0.66 [0.19]	15 [381]	11-3/4 [298]	17-1/4 [438]	37 [17]
600	4 [102]	25 [95]	0.79 [0.22]	17 [432]	12-7/16 [316]	19-7/8 [506]	45 [20]
700		35 [132]	1.17 [0.33]	18-3/4 [476]	14-3/16 [360]		53 [24]
800		50 [189]	1.35 [0.38]	21-1/2 [546]	16 [406]	22-1/2 [572]	59 [27]
900		75 [284]	1.61 [0.46]	22-3/4 [578]	18-1/2 [470]		63 [29]

\*Regularly furnished unless otherwise specified.

Items designated as Best Sellers are most specified and are generally in stock for shipment.

For additional product information, please visit [www.zurn.com](http://www.zurn.com) | Patent [zurn.com/patents](http://zurn.com/patents)



## Z1183-DF SOLIDS INTERCEPTOR WITH DISPOSABLE FILTER BAGS

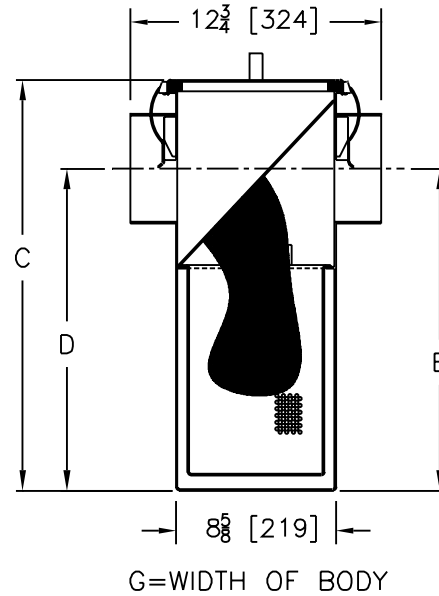


### ENGINEERING SPECIFICATION

Zurn Z1183-DF solids interceptor features acid resistant coated fabricated steel or stainless steel. Ideal for on floor or semi-recessed installation with replaceable filter bags, retainer plate, latched lid, and removable sediment basket. Size to be used with corresponding Z1170 grease interceptor.

### CAUTION

Interceptors must be maintained periodically in order to ensure proper operation of the system. Follow cleaning schedule based on usage.



PREFIXES	DESCRIPTION	SIZE	LIST PRICE
Z1183-DF*	Acid Resistant Coated Fabricated Steel	100	6,221.00
		200	6,380.00
		300	6,699.00
		400	7,369.00
		500	7,974.00
		600	8,841.00
		700	9,569.00
		800	10,460.00
		900	11,543.00
		ZS1183-DF	All Type 304 Fabricated Stainless Steel
200	10,267.00		
300	11,061.00		
400	12,474.00		
500	13,553.00		
600	15,781.00		
700	17,680.00		
800	19,917.00		
900	22,300.00		
SUFFIXES	DESCRIPTION		
-XB	Extra Solids Interceptor Basket		POA
-XF	Extra Supply of 30 Solids Filter Bags		1,904.00

Size	Inlet/Outlet inch [mm]	Flow Rate gpm [LPM]	Solid Capacity cu ft [cm <sup>3</sup> ]	Dimensions in inches [mm]		
				C	D/E	G
100	2 [51]	4 [15]	0.20 [.006]	10 [254]	7-1/4 [184]	9-7/8 [251]
200		7 [26]	0.29 [.008]	11-1/8 [283]	8-1/8 [206]	11-7/8 [302]
300	3 [76]	10 [38]	0.33 [.009]	11-3/4 [298]	8-1/4 [210]	14 [356]
400		15 [57]	0.38 [.011]	13-3/8 [340]	9-3/8 [238]	16-3/4 [425]
500		20 [76]	0.66 [.019]	15 [381]	11-3/4 [298]	17-1/4 [438]
600	4 [102]	25 [95]	0.79 [.022]	17 [432]	12-7/16 [316]	19-7/8 [505]
700		35 [132]	1.17 [.033]	18-3/4 [476]	14-3/16 [360]	22-1/2 [572]
800		50 [189]	1.35 [.038]	21-1/2 [546]	16 [406]	
900		75 [284]	1.61 [.046]	22-3/4 [578]	18-1/2 [470]	

## Z1183-FC SOLIDS INTERCEPTOR WITH FLUSH COVER

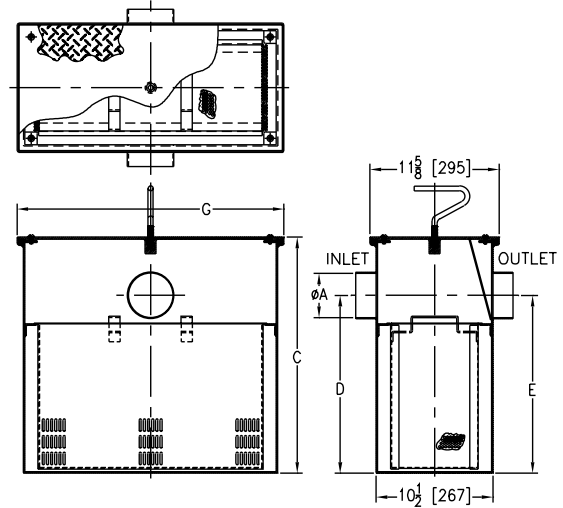
### ENGINEERING SPECIFICATION

Zurn Z1183-FC solids interceptor features large capacity, acid resistant coated interior and exterior fabricated steel or stainless steel solids. Ideal for recessed installation with screen attached to gasketed, non-skid secured cover with removable lift handle and removable sediment basket. Size to be used with corresponding Z1170, Z1172, or Z1173 grease interceptors.

### CAUTION

Interceptors must be maintained periodically in order to ensure proper operation of the system. Follow cleaning schedule based on usage.

PREFIXES	DESCRIPTION	SIZE	LIST PRICE
<b>Z1183-FC*</b>	Acid Resistant Coated Fabricated Steel	100	<b>8,404.00</b>
		200	<b>9,079.00</b>
		300	<b>9,562.00</b>
		400	<b>10,256.00</b>
		500	<b>11,615.00</b>
		600	<b>13,094.00</b>
		700	<b>14,370.00</b>
		800	<b>15,423.00</b>
		900	<b>16,244.00</b>
		1000	<b>21,417.00</b>
		1100	<b>26,756.00</b>
		1200	<b>31,882.00</b>
<b>ZS1183-FC</b>	Type 304 Fabricated Stainless Steel	100	<b>12,486.00</b>
		200	<b>13,499.00</b>
		300	<b>13,656.00</b>
		400	<b>14,652.00</b>
		500	<b>16,616.00</b>
		600	<b>19,551.00</b>
		700	<b>20,559.00</b>
		800	<b>22,068.00</b>
		900	<b>23,254.00</b>
		1000	<b>32,046.00</b>
		1100	<b>40,116.00</b>
		1200	<b>45,879.00</b>
SUFFIXES	DESCRIPTION	ADD	
-CS	Custom Screens (Specify material and perforation size required.)	POA	
-E	Acid Resistant Coated Interior and Exterior Fabricated Steel Extension Section	POA	
-YR	Replacement Stainless Steel Bucket Assembly	POA	



Size	Inlet/Outlet inch [mm]	Flow Rate gpm [LPM]	Solid Capacity cu ft [cm <sup>3</sup> ]	Dimensions in inches [mm]		
				C	D/E	G
100	2 [51]	4 [15]	0.20 [.006]	10 [254]	7-1/4 [184]	11-3/4 [298]
200		7 [26]	0.29 [.008]	11-1/8 [283]	8-1/8 [206]	13-3/4 [349]
300		10 [38]	0.33 [.009]	11-3/4 [298]	8-1/4 [210]	15-7/8 [403]
400	3 [76]	15 [57]	0.38 [.011]	13-3/8 [340]	9-3/8 [238]	18-5/8 [473]
500		20 [76]	0.66 [.019]	15 [381]	11-3/4 [298]	19-1/8 [486]
600		25 [95]	0.79 [.022]	17 [432]	12-7/16 [316]	21-3/4 [552]
700		35 [132]	1.17 [.033]	18-3/4 [476]	14-3/16 [360]	24-3/8 [619]
800		50 [189]	1.35 [.038]	21-1/8 [537]	16 [406]	
900		75 [284]	1.61 [.046]	22-3/4 [578]	18-1/2 [470]	
1000		100 [379]	1.80 [.051]	27 [686]	23 [584]	
1100		125 [473]	1.95 [.055]	30-1/8 [765]	24-1/2 [622]	
1200	4 [102]	150 [568]	2.11 [.060]	30-3/4 [781]	25-1/2 [648]	

\*Regularly furnished unless otherwise specified.

Items designated as Best Sellers are most specified and are generally in stock for shipment.

For additional product information, please visit [www.zurn.com](http://www.zurn.com) | Patent [zurn.com/patents](http://zurn.com/patents)

## Z1184 BOTTOM ACCESS SOLIDS INTERCEPTOR



### ENGINEERING SPECIFICATION

Zurn Z1184 bottom access solids interceptor features acid resistant composite. Works in lieu of fixture "P" trap for suspended installation. Includes removable PVC sediment bucket with a removable 3/32" diameter perforated flow defusing/intercepting PVC screen, designed to intercept all types of solids and precious metals. Bottom access gasketed, secured cover comes complete with stainless steel draw latches and hardware with an ABS combination handle and drain port plug for easy removal of sediment bucket and screen.

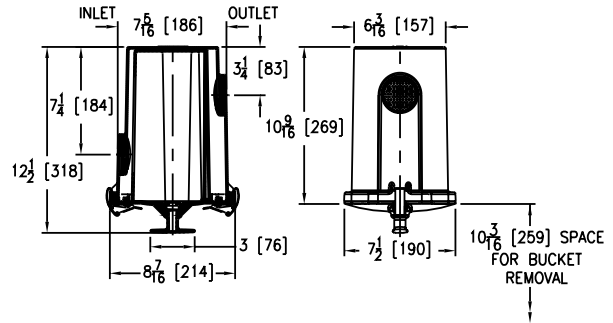
### NOTES

†Regularly furnished with 2" threaded low inlet and high outlet.

### CAUTION

Interceptors must be maintained periodically in order to ensure proper operation of the system. Follow cleaning schedule based on usage.

Inlet/Outlet inch [mm]	Flow Rate gpm [LPM]	Approximate Weight lb [kg]
1-1/2 [38], 2 [51] <sup>†</sup>	15 [57]	6 [3]



PREFIXES	DESCRIPTION	LIST PRICE
Z1184*	Standard Assembly (See Engineering Specification)	2,154.00
ZA1184	Acid Resistant Coated Fabricated Steel (Design different than what is shown.)	3,551.00

SUFFIXES	DESCRIPTION	ADD
-CS	Chrome Plated Finish Interior and Exterior (ZAB Only)	POA
-RS	Replacement 3/32" Diameter Perforated Screen for Bucket	431.00
-SS	Stainless Steel 3/32" Diameter Perforated Screen for Bucket	640.00
-Y	Replacement Bucket Assembly with 3/32" Diameter Perforated Screen	827.00

BEST SELLERS	LIST PRICE
Z1184-1-1/2IP	2,154.00
Z1184-2IP	2,154.00

# Z1185 LINT INTERCEPTOR



## ENGINEERING SPECIFICATION

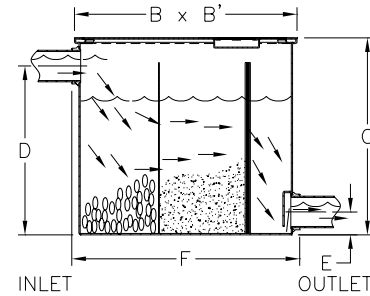
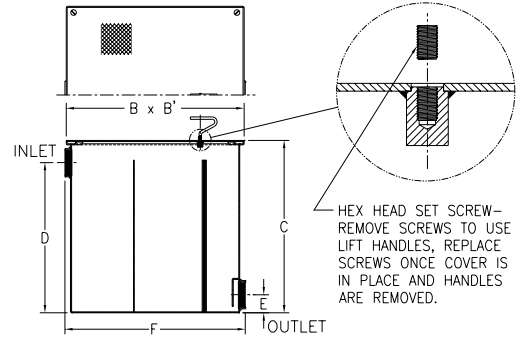
Zurn Z1185 lint interceptor features acid resistant coated interior and fabricated steel exterior, non-skid secured cover with removable lift handle, lint intercepting secondary screen assembly with 3/32" square openings, and permanent primary straining baffle with 3/8" diameter perforated holes. Regularly furnished with high inlet and low outlet.

## NOTES

Size #3 and #7 covers are not furnished with a lift handle.

## CAUTION

Interceptors must be maintained periodically in order to ensure proper operation of the system. Follow cleaning schedule based on usage.



PREFIXES	DESCRIPTION	SIZE	LIST PRICE
<b>Z1185*</b>	Acid Resistant Coated Fabricated Steel	3	<b>15,804.00</b>
		7	<b>18,393.00</b>
		10	<b>21,641.00</b>
		20	<b>26,193.00</b>
		30	<b>30,454.00</b>
		40	<b>34,717.00</b>
<b>ZS1185</b>	All Type 304 Fabricated Stainless Steel	3	POA
		7	POA
		10	POA
		20	POA
		30	POA
		50	POA

SUFFIXES	DESCRIPTION	SIZE	EA. ADDITIONAL 1" OVER 6"	ADD UP TO 6"	
<b>-E</b>	Acid Resistant Coated Interior and Exterior Fabricated Steel Extension Section (Specify 'C' dimension required for recessed installation.)	3	<b>193.00</b>	<b>2,707.00</b>	
		7	<b>193.00</b>	<b>2,707.00</b>	
		10	<b>275.00</b>	<b>3,777.00</b>	
		20	<b>328.00</b>	<b>3,777.00</b>	
		30	<b>382.00</b>	<b>3,777.00</b>	
		40	<b>434.00</b>	<b>3,777.00</b>	
<b>-RS</b>	Replacement Screen Assembly	50	<b>590.00</b>	<b>4,576.00</b>	
		SIZE		ADD	
		3		<b>1,115.00</b>	
		7		<b>1,554.00</b>	
		10		<b>2,228.00</b>	
		20		<b>2,830.00</b>	
30		<b>3,259.00</b>			
40		<b>3,489.00</b>			
50		<b>3,813.00</b>			

BEST SELLERS	LIST PRICE
Z1185-3-2IP	<b>15,804.00</b>
Z1185-3-3IP	<b>15,804.00</b>
Z1185-7-3IP	<b>18,393.00</b>
Z1185-10-4IP	<b>21,641.00</b>
ZS1185-30-6IP	POA

Size No. of Machines	Inlet/Outlet inch [mm]	Flow Rate gpm [LPM]	Approximate Weight lb [kg]	Dimensions in inches [mm]				
				B	C	D	E	F
3	2 [51]	30 [114]	93 [42]	17 [432]	16-1/2 [419]	13-1/2 [343]	3-1/4 [83]	17-1/4 [438]
7	3 [76]	70 [265]	155 [70]	25 [635]	20 [508]	15-3/4 [400]		25-1/2 [648]
10	4 [102]	100 [379]	271 [123]	33 [838]	28 [711]	25 [635]	4 [102]	34 [864]
20		200 [757]	404 [183]	40 [1016]	35 [889]	32 [813]		41 [1041]
30	6 [152]	300 [1136]	654 [267]	45 [1143]	40 [1016]	36 [914]	5 [127]	46 [1168]
40		400 [1514]	723 [328]	48 [1219]	43 [1092]	39 [991]		49 [1245]
50		500 [1893]	911 [413]	52 [1321]	47 [1194]	43 [1092]		53 [1346]

\*Regularly furnished unless otherwise specified.

Items designated as Best Sellers are most specified and are generally in stock for shipment.

For additional product information, please visit [www.zurn.com](http://www.zurn.com) | Patent [zurn.com/patents](http://zurn.com/patents)

## OIL INTERCEPTORS – GENERAL PRODUCT INFORMATION

Zurn oil interceptors are designed to be similar to the grease interceptors. Both work on the principle that oils are lighter than water and thus gravity causes the oil to rise and the solids to fall. Zurn oil interceptors come equipped with a removable sediment bucket on the inlet to trap stones, grit and other substances. Their perforated, flow-diffusing baffle eliminates turbulence and allows for high efficiency of separation.

All Zurn Z1186 and Z1188 oil interceptors are supplied with a specific gravity oil draw-off tube assembly. This assembly is to be set 1/8 above the static water level, per standard installation instructions. Once oil builds down to this level, the oil draws off by gravity through the tube assembly.

All Zurn oil interceptors are of 100% steel construction coated with a blue acid resisting epoxy. All Zurn oil interceptors are listed by the IAPMO. If you require an oil interceptor not listed phone 855-ONE-ZURN, or contact your local Zurn sales representative.

## OIL INTERCEPTORS – APPLICATION INDEX

Product selection should be made with a specific application and the type of construction in mind. The varied types and sizes of Zurn interceptors, along with their options, offer a selection for all applications.

### APPLICATION

### RECOMMENDED INTERCEPTOR

Maintenance, Parking Garage, Oil Spill Areas	Z1186, Z1186-ST, Z1187, Z1187-SI, Z1188, Z1188-ST, Z1189, Z1196, Z1198, Z1198-ST
Municipal Water Systems, Wells	Z1187
Electronic Oil Level Sensors	Z1194, Z1196, Z1198, Z1198-ST

# Z1186 OIL INTERCEPTOR



## ENGINEERING SPECIFICATION

Zurn Z1186 oil interceptor features acid resistant coated interior and fabricated steel exterior, bronze cleanout plug and visible double wall trap seal, removable combination pressure equalizing/flow-diffusing baffle and sediment bucket, horizontal baffle, adjustable oil draw-off, and vent connections (either side). Gasketed, non-skid, secured cover comes complete with flow control fitting. Regularly furnished with inlet and outlet in high position.

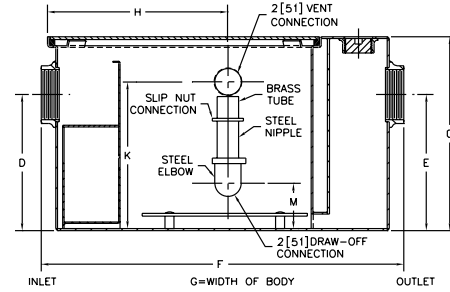
## NOTES

Location of outlet from bottom of interceptor cannot be changed.

\*Inlet and outlet sizes shown indicate standard operating sizes and flow control settings. Size #300 and #400 will have 3" connections reduced to 2" as standard. Size #700 and #800 will have 4" connections reduced to 3" as standard.

## CAUTION

Interceptors must be maintained periodically in order to ensure proper operation of the system. Follow cleaning schedule based on usage.



PREFIXES	DESCRIPTION	SIZE	LIST PRICE
Z1186*	Acid Resistant Coated Fabricated Steel	300	8,016.00
		400	10,995.00
		500	13,289.00
		600	14,434.00
		700	17,545.00
		800	23,597.00

SUFFIXES	DESCRIPTION	ADD		
		EA. ADDITIONAL 1" OVER 6"	UP TO 6"	
-E	Acid Resistant Coated Interior and Exterior Fabricated Steel Extension Section. (Specify 'C' dimension required for recessed installation.)	300	333.00	7,501.00
		400	373.00	7,599.00
		500	422.00	7,814.00
		600	479.00	8,042.00
		700	524.00	8,345.00
		800	606.00	9,959.00
-HD	Heavy duty traffic cover rated at 10,000 lbs. maximum safe live load. A 3" minimum extension height is required when Heavy Duty Cover (-HD) option is specified. (Specify 'C' dimension height required.)	300		8,520.00
		400		9,159.00
		500		9,697.00
		600		10,241.00
		700		11,318.00
		800		11,853.00
-K	Anchor flange 1-3/4" down from top and 2" wide. A 3" minimum extension height is required when anchor flange (-K) option is specified. (Specify 'C' dimension height required.) Price for -E plus -K.	300		2,047.00
		400		2,047.00
		500		2,210.00
		600		2,299.00
		700		2,417.00
		800		2,462.00
-KC	Anchor flange 1-3/4" down from top and 2" wide with clamp collar. A 3" minimum extension height is required when anchor flange (-KC) option is specified.	300		2,462.00
		400		2,462.00
		500		2,462.00
		600		2,745.00
		700		2,849.00
		800		3,241.00
-PW	Plug Wrench			122.00
<b>BEST SELLERS</b>				<b>LIST PRICE</b>
Z1186-300-2NH				8,016.00
Z1186-500-3IP				13,289.00
Z1186-600-3IP				14,434.00
Z1186-800-3IP				23,597.00

Size	Inlet/Outlet <sup>†</sup> inch [mm]	Flow Rate gpm [LPM]	Water Capacity gallon [L]	Approximate Weight lb [kg]	Dimensions in inches [mm]						
					C	D/E	F	G	H	K	M
300	2 [51]	10 [38]	7 [26]	56 [25]	13-5/8 [346]	8-1/8 [206]	25-1/8 [638]	14 [356]	11-5/8 [295]	11 [279]	2-3/4 [70]
400		15 [57]	9 [34]	77 [35]	14 [356]	8-1/4 [210]	25-1/4 [641]	14-1/8 [359]			
500	3 [76]	20 [76]	10 [38]	106 [48]	15-1/2 [394]	9-3/8 [238]	27-1/8 [689]	16-3/4 [425]	13-1/4 [337]	12-1/2 [318]	2-1/2 [64]
600		25 [95]	16 [61]	116 [53]	18-1/4 [464]	11-3/4 [298]	30 [762]	17-1/4 [438]	16 [406]	15-1/4 [387]	4 [102]
700		35 [132]	21 [79]	140 [64]	19-3/4 [502]	12-1/2 [318]	32-1/4 [819]	19-7/8 [505]	16-3/8 [416]	16-3/4 [425]	4-11/16 [119]
800		50 [189]	30 [114]	171 [78]	24-1/4 [616]	14-1/4 [362]	34-1/8 [867]	22-1/2 [572]	17-1/4 [438]	21-1/4 [540]	6-7/16 [164]

\*Regularly furnished unless otherwise specified.

Items designated as Best Sellers are most specified and are generally in stock for shipment.

For additional product information, please visit [www.zurn.com](http://www.zurn.com) | Patent [zurn.com/patents](http://zurn.com/patents)

# Z1186-ST OIL INTERCEPTOR WITH INTEGRAL STORAGE TANK



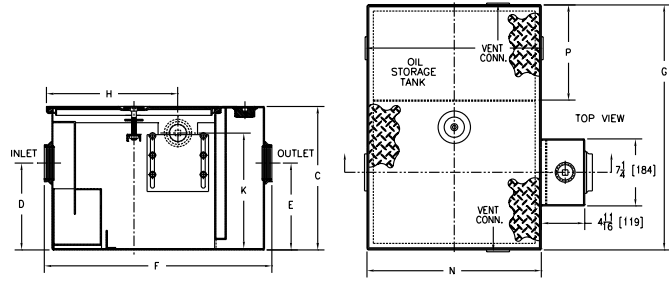
## ENGINEERING SPECIFICATION

Zurn Z1186-ST oil interceptor features acid resistant coated interior and fabricated steel exterior, bronze cleanout plug and visible double wall trap seal, removable combination pressure equalizing/flow-diffusing baffle and sediment bucket, oil draw-off, and vent connections. Secured, gasketed, non-skid cover comes complete with flow control fitting and left-hand integral storage tank. Regularly furnished with inlet and outlet in high position.

## NOTES

Location of outlet from bottom of interceptor cannot be changed. Regularly furnished with left-hand side storage tank.

\*Inlet and outlet sizes shown indicate standard operating sizes and flow control settings. Size #300 and #400 will have 3" connections reduced to 2" as standard. Size #700 and #800 will have 4" connections reduced to 3" as standard.



PREFIXES	DESCRIPTION	SIZE	LIST PRICE
Z1186-ST*	Acid Resistant Coated Fabricated Steel	300	12,015.00
		400	16,483.00
		500	19,929.00
		600	21,640.00
		700	26,292.00
		800	35,385.00

SUFFIXES	DESCRIPTION	SIZE	ADD	
			EA. ADDITIONAL 1" OVER 6"	UP TO 6"
-E	Acid Resistant Coated interior and exterior fabricated steel section. (Specify 'C' dimension required for recessed installation.)	300	474.00	11,258.00
		400	573.00	11,397.00
		500	653.00	11,737.00
		600	709.00	12,052.00
		700	771.00	12,502.00
		800	909.00	14,934.00
		SIZE	ADD	
-HD	Heavy duty traffic cover rated at 10,000 lbs. maximum safe live load. A 3" [76] minimum extension height is required when anchor flange (-K) option is specified. (Specify 'C' Dim. height required.)	300		13,579.00
		400		14,424.00
		500		15,274.00
		600		16,113.00
		700		16,970.00
		800		17,837.00
-K	Anchor flange 1-3/4" down from top and 2" wide. A 3" minimum extension height is required when anchor flange (-K) option is specified. (Specify 'C' dimension height required.)	300		3,060.00
		400		3,060.00
		500		3,314.00
		600		3,459.00
		700		3,597.00
		800		3,678.00
-KC	Anchor flange 1-3/4" down from top and 2" wide with clamp collar. Same dimensional requirements as -K. Price for -E plus -KC.	300		3,678.00
		400		3,678.00
		500		3,678.00
		600		4,099.00
		700		4,246.00
		800		4,854.00
-PW	Plug Wrench			122.00
-STR	Storage tank on right-hand side when facing the inlet.			N/C
BEST SELLERS		LIST PRICE		
Z1186-ST-500-3IP		19,929.00		
Z1186-ST-500-4IP		19,929.00		
Z1186-ST-800-4IP		35,385.00		

Size	Inlet/Outlet† inch [mm]	Flow Rate gpm [LPM]	Water Capacity gallon [L]	Approximate Weight lb [kg]	Dimensions in inches [mm]						
					C	D/E	F	G	H	K	N
300	2 [51]	10 [38]	7 [26]	95 [43]	13-7/8 [352]	8-1/8 [206]	23-1/16 [586]	23-9/16 [598]	12-1/16 [306]	11 [279]	16-7/8 [429]
400		15 [57]	9 [34]	95 [43]	14 [356]	8-1/4 [210]					
500	3 [76]	20 [76]	10 [38]	115 [52]	15-1/2 [394]	9-3/8 [238]	25-1/16 [637]	26-1/2 [673]	14-3/16 [360]	12-1/2 [318]	18-7/8 [479]
600		25 [95]	16 [61]	280 [127]	18-1/4 [464]	11-3/4 [298]	35-7/32 [895]	50-7/8 [1292]	19-1/4 [489]	15-1/4 [387]	29 [737]
700		35 [132]	21 [79]	320 [145]	19-3/4 [502]	12-7/16 [316]	43-7/16 [1103]	45 [1143]	23-1/4 [591]	16-3/4 [425]	37 [940]
800		50 [189]	30 [114]	529 [240]	24-1/4 [616]	14-3/16 [360]	49-7/16 [1256]	70-1/8 [1781]	26-1/4 [667]	21-1/4 [540]	43 [1092]

## Z1187 SAND AND SEDIMENT INTERCEPTOR



### ENGINEERING SPECIFICATION

Zurn Z1187 sand and sediment interceptor features acid resistant coated interior and fabricated steel exterior, \_\_\_\_\_ cu ft capacity below invert of outlet, 4" threaded inlet and outlet, and four 2" threaded individual vent connections complete with heavy-duty, scoriated, non-skid, removable covers.

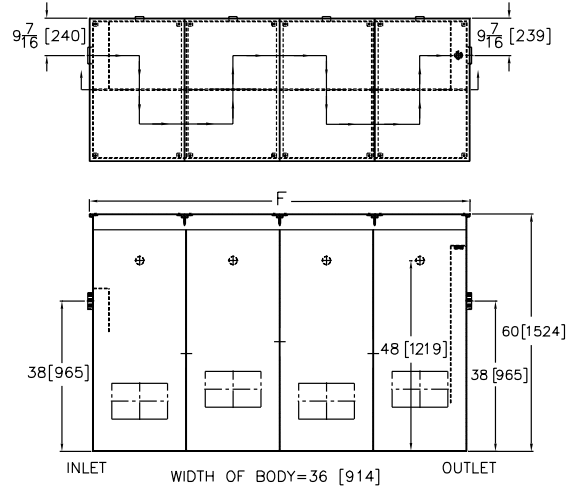
PREFIXES	DESCRIPTION	SIZE	LIST PRICE
Z1187*	Acid Resistant Coated Fabricated Steel	300	60,204.00
		400	88,799.00
		500	POA
		600	POA
		700	POA
		800	POA
		1000	POA

SUFFIXES	DESCRIPTION	ADD	
-E	Integral extension assembly for recessed installation. (Specify overall height required.)	EA. ADDITIONAL 1" OVER 6" UP TO 6"	
		300	289.00 1,842.00
		400	382.00 2,263.00
		500	524.00 3,259.00
		600	617.00 3,965.00
		700	662.00 4,523.00
		800	762.00 5,459.00
		1000	902.00 6,030.00

	DESCRIPTION	ADD	
-HD	Heavy-duty cover rated at 10,000 lbs. maximum safe live load.	300	2,367.00
		400	2,968.00
		500	4,340.00
		600	4,948.00
		700	5,378.00
		800	5,930.00
		1000	7,438.00

-K	Anchor flange 1-3/4" down from top and 2" wide. No extension required to accommodate -K option.	300	2,639.00
		400	3,019.00
		500	6,030.00
		600	6,780.00
		700	7,533.00
		800	9,041.00
		1000	11,296.00

BEST SELLERS	LIST PRICE
Z1187-300-4IP	60,204.00
Z1187-400-4IP-K	91,818.00



Size	cu ft [cm <sup>3</sup> ]	Approximate Weight lb [kg]	F-Dim.
300	43 [1.2]	1600 [726]	60 [1524]
400	54 [1.5]	1750 [794]	72 [1829]
500	72 [2.0]	2100 [953]	96 [2438]
600	81 [2.3]	2500 [1134]	108 [2743]
700	90 [2.5]	2700 [1225]	120 [3048]
800	108 [3.0]	3000 [1361]	144 [3658]
1000	135 [3.8]	3640 [1651]	180 [4572]

\*Regularly furnished unless otherwise specified.

Items designated as Best Sellers are most specified and are generally in stock for shipment.

For additional product information, please visit [www.zurn.com](http://www.zurn.com) | Patent [zurn.com/patents](http://zurn.com/patents)



# Z1187-SI SAND INTERCEPTOR

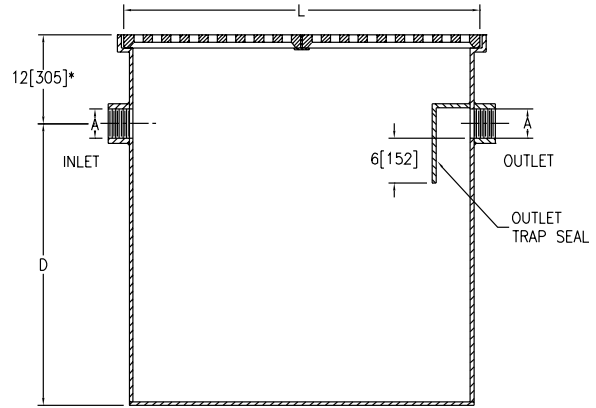


## ENGINEERING SPECIFICATION

Zurn Z1187-SI sand interceptor features acid resistant coated interior and fabricated steel exterior with threaded inlet and outlet complete with removable, heavy-duty grates.

## NOTES

1. Location of outlet from bottom of interceptor cannot be changed.
2. Standard grating is for heavy-duty applications. The -SC option is for a heavy-duty cover.



\*12[305] REGULARLY FURNISHED—  
SPECIFY DIMENSION IF HIGHER  
OR LOWER IS REQUIRED

PREFIXES	DESCRIPTION	SIZE	LIST PRICE
Z1187-SI*	Acid Resistant Coated Fabricated Steel	20	19,770.00
		50	33,511.00
		150	101,290.00
		250	105,409.00
		500	POA

SUFFIXES	DESCRIPTION	SIZE	EA. ADDITIONAL 1" OVER 6"	UP TO 6"	ADD
-E	Integral extension assembly. (Specify extension height.)	20	215.00	1,202.00	
		50	267.00	1,867.00	
		150	494.00	3,281.00	
		250	633.00	5,009.00	
		500	852.00	8,505.00	

		SIZE	ADD
-DG	Duresist grate		POA
-K	Anchor flange 1-3/4" down from top and 2" wide.		POA
-KC	Anchor flange 1-3/4" down from top and 2" wide with clamp collar.		POA
-NH	No-hub inlet and outlet (see Z1040)		N/C
-SC	Heavy-duty reinforced Solid cover(s) rated at 10,000 lbs. maximum safe live load.	20	3,777.00
		50	7,542.00
		150	15,088.00
		250	22,658.00
		500	37,776.00
-VP	Vandal-proof screws		240.00

BEST SELLERS	LIST PRICE
Z1187-SI-20-4IP	19,770.00
Z1187-SI-20-4IP-SC	23,547.00
Z1187-SI-50-4IP	33,511.00

Size	Flow gpm [LPM] (Max.)	A Pipe Size inch [mm]	L inch [mm]	D inch [mm]	Capacity Gal. [L] (Static)	No. of 12" x 24" Grates	Width inch [mm]	Approximate Weight lb [kg]
20	20 [76]	4 [102]	24 [610]	26 [660]	60 [227]	2	24 [610]	133 [60]
50	50 [189]		48 [1219]		120 [454]	4		204 [93]
150	150 [568]	6 [152]	72 [1829]	39 [991]	360 [1363]	8	48 [1219]	368 [167]
250	250 [946]				540 [2044]	12		1294 [587]
500	500 [1893]				1200 [4542]	20		2204 [1000]

# Z1188 LARGE CAPACITY OIL INTERCEPTOR

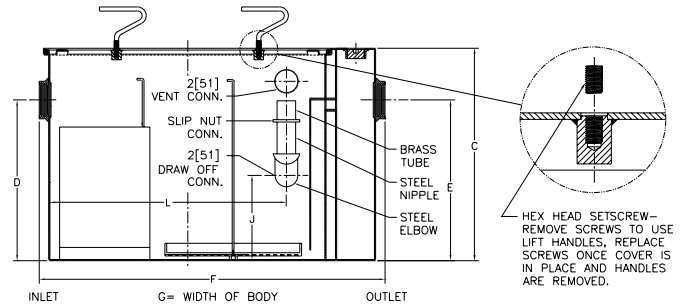


## ENGINEERING SPECIFICATION

Zurn Z1188 oil interceptor features large capacity, acid resistant coated interior and fabricated steel exterior, bronze cleanout plug and visible double wall trap seal, removable combination pressure equalizing/flow-diffusing baffle and sediment bucket, horizontal baffle, adjustable oil draw-off, and vent connections (either side). Complete with secured, gasketed, non-skid cover with removable lift handles and flow control fitting. Regularly furnished with inlet and outlet in high position.

## CAUTION

Interceptors must be maintained periodically in order to ensure proper operation of the system. Follow cleaning schedule based on usage.



PREFIXES	DESCRIPTION	SIZE	LIST PRICE
Z1188*	Acid Resistant Coated Fabricated Steel	75	40,868.00
		100	44,313.00
		125	51,695.00
		150	54,876.00
		200	77,520.00
		250	89,769.00
		300	101,646.00
		350	113,451.00
		400	POA
450	POA		
500	POA		

SUFFIXES	DESCRIPTION	ADD	EA. ADDITIONAL		
			SIZE	1" OVER 10"	UP TO 10"
-E	Acid Resistant Coated interior and exterior fabricated steel extension section. (Specify 'C' dimension required for recessed installation.)		75	373.00	5,610.00
			100	401.00	5,851.00
			125	431.00	6,084.00
			150	456.00	6,320.00
			200	479.00	9,041.00
			250	524.00	11,751.00
			300	590.00	14,283.00
			350	660.00	16,921.00
			400	725.00	19,735.00
			450	762.00	23,033.00
500	785.00	26,345.00			

BEST SELLERS	LIST PRICE
Z1188-100-4IP	44,313.00
Z1188-125-3IP	51,695.00
Z1188-150-4IP	54,876.00
Z1188-200-4IP	77,520.00
Z1188-500-6IP	POA

Flow Rate gpm [LPM]	Inlet/Outlet inch [mm]	Water Capacity gallon [L]	Approximate Weight lb [kg]	No. of Covers	Dimensions in inches [mm]					
					C	D/E	F	G	J	L
75 [284]	3 [76]	65 [246]	332 [151]	1	22-3/4 [578]	18-1/2 [470]	36 [914]	28-5/8 [727]	6-7/8 [175]	25-3/4 [654]
100 [379]		110 [416]	432 [196]		27 [686]	23 [584]	42-3/4 [1086]	33-5/8 [854]	11-3/8 [289]	30-1/8 [765]
125 [473]		150 [568]	780 [354]		30-1/8 [765]	24-1/2 [622]	49-1/4 [1251]	40 [1016]	12-7/8 [327]	36-5/8 [930]
150 [568]	4 [102]	190 [719]	888 [403]	2	30-3/4 [781]	25-1/4 [641]	56 [1422]	41-3/8 [1051]	13-1/8 [333]	43-7/8 [1114]
200 [757]		265 [1003]	1055 [479]		35-1/2 [902]	29-7/8 [759]	61 [1549]	43-5/8 [1108]	17-3/4 [451]	46-5/8 [1184]
250 [946]		460 [1741]	1438 [652]		41 [1041]	36 [914]	71 [1803]	51-5/8 [1311]	23-3/8 [594]	56-5/8 [1438]
300 [1136]	5 [127]	660 [2498]	1840 [835]	3	46-1/4 [1175]	39-5/8 [1006]	80 [2032]	58-3/8 [1483]	27 [686]	65-5/8 [1667]
350 [1325]		860 [3255]	2180 [989]		50-1/2 [1283]	43-7/8 [1114]	87 [2210]	63-5/8 [1616]	30-3/4 [781]	74-1/8 [1883]
400 [1514]		1090 [4126]	2536 [1150]		54-1/4 [1378]	47-5/8 [1210]	94 [2388]	67 [1702]	34-1/2 [876]	79-1/8 [2010]
450 [1703]	6 [152]	1275 [4826]	2816 [1277]	3	55-1/4 [1403]	48-5/8 [1235]	100 [2540]	72 [1829]	35-1/2 [902]	85-3/8 [2169]
500 [1893]		1435 [5432]	2970 [1347]		57-1/4 [1454]	51-5/8 [1311]	104 [2642]	74 [1880]	38-1/2 [978]	88-3/8 [2245]

SUFFIXES	DESCRIPTION	SIZE	ADD
-HD	Heavy-duty traffic cover rated at 10,000 lbs. maximum safe live load. An increased 'C' dimension is required when Heavy Duty Cover (-HD) option is specified. (See -HD Specification Sheet.)	75	12,515.00
		100	17,219.00
		125	18,895.00
		150	22,110.00
		200	25,218.00
		250	34,805.00
		300	44,680.00
		350	52,686.00
		400	60,674.00
		450	69,332.00
500	74,130.00		
-K	Anchor flange 1-3/4" down from top and 2" wide. A 3" minimum extension height is required when -K option is specified.	75	2,681.00
		100	2,999.00
		125	3,595.00
		150	4,186.00
		200	4,485.00
		250	5,992.00
		300	6,775.00
		350	7,547.00
		400	8,017.00
		450	8,492.00
500	8,965.00		
-KC	Anchor flange 1-3/4" down from top and 2" wide with clamp collar. A 3" minimum extension height is required when -KC option is specified.	75	4,856.00
		100	5,434.00
		125	6,084.00
		150	6,731.00
		200	7,866.00
		250	10,202.00
		300	11,444.00
		350	12,679.00
		400	13,475.00
		450	14,280.00
500	15,088.00		
-PW	Plug Wrench		122.00

\*Regularly furnished unless otherwise specified.

Items designated as Best Sellers are most specified and are generally in stock for shipment.

\*Regularly furnished unless otherwise specified.

Items designated as Best Sellers are most specified and are generally in stock for shipment.

For additional product information, please visit [www.zurn.com](http://www.zurn.com) | Patent [zurn.com/patents](http://zurn.com/patents)

INTRO ROOF DRAINS FLOOR DRAINS I.P. BW VALVES INTERCEPTORS CARRIERS HYDRANTS CLEANOUTS WHA SS DRAINS SANI-FLOOR TECH INFO

# Z1188-ST LARGE CAPACITY OIL INTERCEPTOR WITH INTEGRAL STORAGE TANK



## ENGINEERING SPECIFICATION

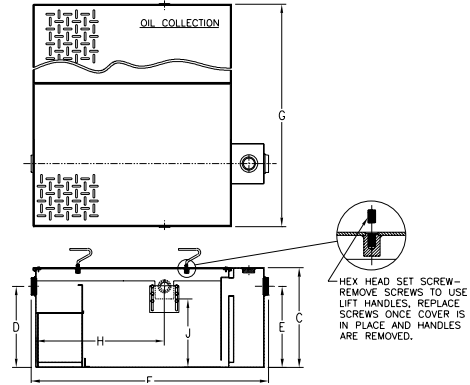
Zurn Z1188-ST oil interceptor features acid resistant coated interior and fabricated steel exterior, bronze cleanout plug and visible double wall trap seal, removable combination pressure equalizing/flow-diffusing baffle and sediment bucket, horizontal baffle, adjustable oil draw-off, and vent connections. Secured, gasketed, non-skid cover comes complete with flow control fitting and left-hand integral storage tank. Regularly furnished with inlet and outlet in high position.

## NOTES

Location of outlet from bottom of interceptor cannot be changed.

## CAUTION

Interceptors must be maintained periodically in order to ensure proper operation of the system. Follow cleaning schedule based on usage.



PREFIXES	DESCRIPTION	SIZE	LIST PRICE
Z1188-ST*	Acid Resistant Coated Fabricated Steel	75	61,299.00
		100	66,500.00
		125	77,482.00
		150	82,290.00
		200	116,242.00
		250	134,656.00
		300	152,472.00
		350	POA
		400	POA

SUFFIXES	DESCRIPTION	ADD		
		EA. ADDITIONAL 1" OVER 6"	UP TO 6"	
-E	Integral Acid Resistant Coated interior and exterior fabricated steel extension section. (Specify 'C' dimension required for recessed installation.)	75	573.00	8,412.00
		100	601.00	8,771.00
		125	653.00	9,139.00
		150	684.00	9,487.00
		200	709.00	13,579.00
		250	793.00	17,618.00
		300	909.00	21,440.00
		350	1,002.00	25,373.00
		400	1,085.00	29,607.00
450	1,140.00	34,530.00		
500	1,193.00	39,533.00		

BEST SELLERS		LIST PRICE
Z1188-ST-100-3IP		66,500.00
Z1188-ST-200-4IP		116,242.00
Z1188-ST-250-5IP		134,656.00
Z1188-ST-350-6NH		POA

Flow Rate gpm [LPM]	Inlet/Outlet inch [mm]	Water Capacity gallon [L]	Oil Capacity gallon [L]	Approximate Weight lb [kg]	No. of Covers		Dimensions in inches [mm]					
					Trap	Tank	C	D/E	F	G	H	J
75 [284]	3 [76]	88 [333]	125 [473]	615 [279]	1	1	22-3/4 [578]	18-1/2 [470]	51-3/8 [1305]	65-3/8 [1661]	29-1/4 [743]	15-1/2 [394]
100 [379]		159 [602]		800 [363]			27 [686]	23 [584]	60-3/8 [1534]	82-3/8 [2092]	35-1/4 [895]	19-3/4 [502]
125 [473]		208 [787]	250 [946]	1450 [658]			30-1/8 [765]	24-1/2 [622]	64-1/4 [1632]	84-5/8 [2149]	36 [914]	21 [533]
150 [568]	4 [102]	235 [890]		1640 [744]	2	2	30-3/4 [781]	25-1/4 [641]	68-1/4 [1734]	82-3/4 [2102]	38-11/16 [983]	21-5/8 [549]
200 [757]		333 [1261]	400 [1514]	1950 [885]			35-1/2 [902]	29-7/8 [759]	71-3/8 [1813]	92-3/4 [2356]	43-1/2 [1105]	26-3/8 [670]
250 [946]		445 [1685]		2650 [1202]			41 [1041]	36 [914]	75-1/2 [1918]	95-5/8 [2429]	40-3/4 [1035]	32-1/2 [826]
300 [1136]	5 [127]	664 [2514]		3400 [1542]	2	2	46-1/4 [1175]	39-5/8 [1006]	82-3/8 [2092]	92-3/8 [2346]	48-1/16 [1221]	37-3/4 [959]
350 [1325]		1006 [3808]	700 [2650]	4000 [1814]			50-1/2 [1283]	43-7/8 [1114]	103-1/8 [2619]	104-3/4 [2661]	61-15/16 [1573]	40-3/8 [1026]
400 [1514]		1266 [3808]		4700 [2132]			54-1/4 [1378]	47-5/8 [1210]	110-1/8 [2797]	102-5/8 [2607]	66-9/16 [1691]	44-1/8 [1121]
450 [1703]	6 [152]	1575 [5962]		5200 [2359]	2	2	55-1/4 [1403]	48-5/8 [1235]	123-1/8 [3127]	102-7/8 [2613]	75-1/4 [1911]	44-5/8 [1133]
500 [1893]		1695 [6416]		5500 [2495]			57-1/4 [1454]	51-5/8 [1311]	124-1/8 [3153]	103-5/8 [2632]	73-15/16 [1878]	48-1/8 [1222]

SUFFIXES	DESCRIPTION	SIZE	ADD
-HD	Heavy-duty traffic cover rated at 10,000 lbs. maximum safe live load. An increased 'C' dimension is required when -HD option is specified. (See -HD Specification Sheet.)	75	18,749.00
		100	25,848.00
		125	28,334.00
		150	33,172.00
		200	37,841.00
		250	52,179.00
		300	67,018.00
		350	79,043.00
		400	90,998.00
-K	Anchor flange 1-3/4" down from top and 2" wide. A 3" minimum extension height is required when anchor flange (-K) option is specified. (Specify 'C' dimension height required and price for -E plus -K.)	75	4,047.00
		100	4,531.00
		125	5,383.00
		150	6,281.00
		200	6,704.00
		250	8,996.00
		300	10,157.00
		350	11,318.00
		400	12,015.00
-KC	Anchor flange 1-3/4" down from top and 2" wide with clamp collar. Same dimensional requirements as -K. Price for -E plus -KC.	75	7,310.00
		100	8,153.00
		125	9,139.00
		150	10,101.00
		200	11,796.00
		250	15,274.00
		300	17,196.00
		350	19,007.00
		400	20,059.00
450	21,437.00		
500	22,626.00		
-PW	Plug Wrench		122.00
-STR	Storage tank on right-hand side when facing the inlet.		N/C

For additional product information, please visit [www.zurn.com](http://www.zurn.com) | Patent [zurn.com/patents](http://zurn.com/patents)

\*Regularly furnished unless otherwise specified.

# Z1189 OIL/SEDIMENT INTERCEPTOR WITH HEAVY-DUTY GRATE

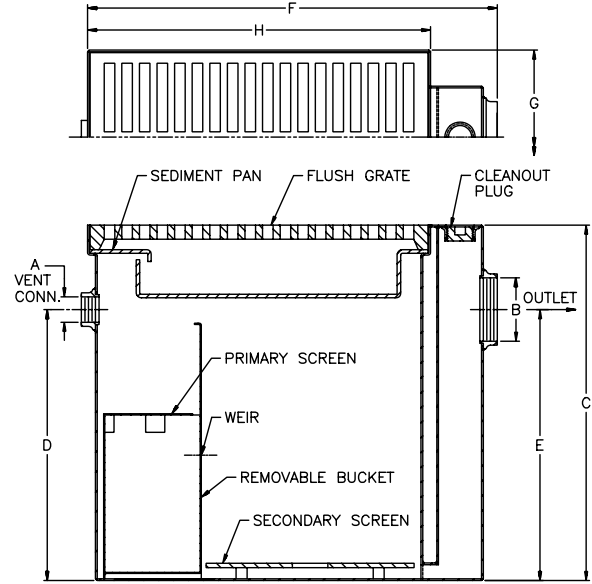


## ENGINEERING SPECIFICATION

Zurn Z1189 oil/sediment interceptor features acid resistant coated interior and fabricated steel exterior, bronze cleanout plug and visible double wall trap seal, removable sediment bucket, horizontal baffle, internal vent connection, and Dura-Coated heavy-duty cast iron grate.

## CAUTION

Interceptors must be maintained periodically in order to ensure proper operation of the system. Follow cleaning schedule based on usage.



PREFIXES	DESCRIPTION	SIZE	LIST PRICE
Z1189*	Acid Resistant Coated Fabricated Steel	12	5,273.00
		60	14,209.00
		100	20,190.00
		200	29,917.00
		300	39,490.00

SUFFIXES	DESCRIPTION	ADD
-DG	Duresist Grate	2,747.00

		SIZE	EA. ADDITIONAL	
			1" OVER 6"	UP TO 6"
-E	Acid Resistant Coated interior and exterior fabricated steel extension section. (Specify 'C' dimension required.)	12	138.00	889.00
		60	203.00	1,329.00
		100	289.00	1,757.00
		200	422.00	2,639.00
		300	557.00	3,486.00

-K	Anchor flange 1-3/4" down from top and 2" wide	SIZE	ADD	
		12	1,102.00	
-KC	Anchor flange 1-3/4" down from top and 2" wide	60	1,520.00	
		100	1,913.00	
		200	2,512.00	
		300	3,314.00	

-PW	Plug Wrench	SIZE	ADD	
		12	122.00	
-SC	Heavy-Duty Solid Traffic Cover (maximum safe live load 10,000 lbs.)	12	991.00	
		60	1,976.00	
		100	3,217.00	
		200	4,287.00	
		300	5,658.00	

BEST SELLERS	LIST PRICE
Z1189-12-2IP	5,273.00
Z1189-60-4IP	14,209.00
Z1189-100-4IP	20,190.00
Z1189-100-4IP-DG	22,937.00

Size	Sludge Capacity lb [kg]	Grate Open Area inch [mm]	No. of Grates	No. of Pans	Approximate Weight lb [kg]	Dimensions in inches [mm]								
						A Vent Size	B Pipe Size	C	D	E	F	G	H	
12	12 [5]	49 [1245]	1	1	70 [32]	-	2 [51]	15 [381]	-	10-1/2 [267]	17-1/8 [435]	11-3/8 [289]	12-3/8 [314]	
60	60 [27]	131 [3327]			175 [79]	25-1/4 [641]	19-1/4 [489]	17-5/8 [448]	29-1/8 [740]	12-3/8 [314]	24-3/8 [619]			
100	100 [45]	262 [6655]	2		2	280 [127]	2	4 [102]	33 [838]	27 [686]	22 [559]	41-1/8 [1045]	24-3/8 [619]	36-3/8 [924]
200	200 [91]	393 [9982]	3			370 [168]								48-3/8 [1229]
300	300 [136]	524 [13309]	4		460 [209]									

\*Regularly furnished unless otherwise specified.

Items designated as Best Sellers are most specified and are generally in stock for shipment.

For additional product information, please visit [www.zurn.com](http://www.zurn.com) | Patent [zurn.com/patents](http://zurn.com/patents)

## Z1194 OIL LEVEL SENSOR RETROFIT KIT



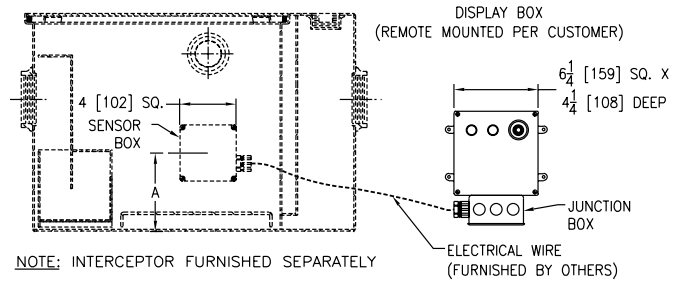
### ENGINEERING SPECIFICATION

Zurn Z1194 oil level sensor retrofit kit features a fiberglass sensor box containing an electronic oil level sensor and a fiberglass display box with one green power light, red oil level light, audible alarm, and junction box. Intended use for retrofit applications on Z1186 and Z1188 oil interceptors. Power supply 100 to 240 VAC at 47 to 63 Hz, GFCI.

### CAUTION

Caution: Interceptor must be cleaned of solids and other debris and the sensors wiped off on a regular basis in order to ensure proper operation of the system. Z1194 TO BE USED WITH INTERCEPTORS FOR ON-THE-FLOOR INSTALLATION ONLY.

PREFIXES	DESCRIPTION	LIST PRICE
Z1194	Oil Level Sensor Retrofit Kit	18,134.00



Z1186	
Flow Rate gpm [LPM]	A Dimensions inch [mm]
10 [38]	5-7/16 [138]
15 [57]	
20 [76]	6-5/8 [168]
25 [95]	7-3/4 [197]
35 [132]	
50 [189]	9-1/16 [230]
Z1188	
Flow Rate gpm [LPM]	A Dimensions inch [mm]
75 [284]	10 [254]
100 [379]	15-3/8 [391]
125 [473]	15-11/16 [398]
150 [568]	17-5/16 [440]
200 [757]	21-1/16 [535]
250 [946]	27-13/16 [706]
300 [1136]	32 [813]
350 [1325]	35-5/16 [897]
400 [1514]	39-5/16 [999]
450 [1703]	40-3/8 [1026]
500 [1893]	43-3/16 [1097]

# Z1196 OIL INTERCEPTOR WITH OIL LEVEL SENSOR



## ENGINEERING SPECIFICATION

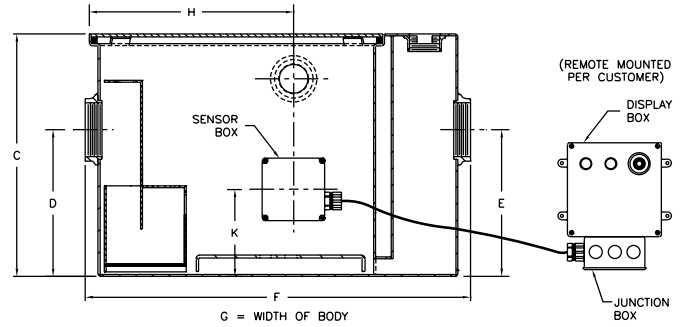
Zurn Z1196 oil interceptor features acid resistant coated interior and fabricated steel exterior with a fiberglass sensor box containing an electronic oil level sensor (specify right or left side<sup>†</sup>) and a fiberglass display box with one green power light, red oil level light, audible alarm and junction box. Includes bronze cleanout plug and visible double wall trap seal, removable combination pressure equalizing/flow-diffusing baffle and sediment bucket, horizontal baffle, and vent connections either side. Secured, gasketed, non-skid cover comes complete with flow control fitting. Regularly furnished with inlet and outlet in high position.

## NOTES

- <sup>†</sup>Installed sensor box is mounted on the left- or right-hand side of the unit when facing inlet (must be specified).
- <sup>‡</sup>Inlet and outlet sizes shown indicate standard operating sizes and flow control settings. Size #300 and #400 will have 3" connections reduced to 2" as standard. Size #700 and #800 will have 4" connections reduced to 3" as standard. If changed, flow control must be adjusted accordingly.
- Power supply 120V GFCI.
- Recommended Installations: Sitting on the floor or recessed in a pit only. (A pit installation requires that a drain or sump pump be installed to keep the pit relatively dry.)
- For pit installation, see Form No. IT66.

## CAUTION

Interceptors must be maintained periodically in order to ensure proper operation of the system. Follow cleaning schedule based on usage.



PREFIXES	DESCRIPTION	SIZE	LIST PRICE
Z1196	Acid Resistant Coated Fabricated Steel	300	28,411.00
		400	31,567.00
		500	33,994.00
		600	35,202.00
		700	38,499.00
		800	44,897.00
SUFFIXES	DESCRIPTION	ADD	
-PW	Plug Wrench		122.00

Size	Inlet/Outlet inch [mm]	Flow Rate gpm [LPM]	Water Capacity gallon [L]	Oil Capacity gallon [L]	Approximate Weight lb [kg]	Dimensions in inches [mm]					
						C	D/E	F	G	H	K
300	2 [51]	10 [38]	7 [26]	1 [4]	56 [25]	13-7/8 [352]	8-1/8 [206]	25-1/8 [638]	14 [356]	11-5/8 [295]	5-7/16 [138]
400		15 [57]	9 [34]		77 [35]	14 [356]	8-1/4 [210]	25-1/4 [641]	14-1/8 [359]		
500	3 [76]	20 [76]	10 [38]	1-1/2 [6]	106 [48]	15-1/2 [394]	9-3/8 [238]	27-1/8 [689]	16-3/4 [425]	13-1/4 [337]	6-5/8 [168]
600		25 [95]	16 [61]	3-1/2 [13]	116 [53]	18-1/4 [464]	11-3/4 [298]	30 [762]	17-1/4 [438]	16 [406]	7-3/4 [197]
700		35 [132]	21 [79]	5 [19]	140 [64]	19-3/4 [502]	12-1/2 [318]	32-1/4 [819]	19-7/8 [505]	16-3/8 [416]	
800		50 [189]	30 [114]	7 [26]	171 [78]	24-1/4 [616]	14-3/16 [360]	34-1/8 [867]	22-1/2 [572]	17-1/4 [438]	

\*Regularly furnished unless otherwise specified.

Items designated as Best Sellers are most specified and are generally in stock for shipment.

For additional product information, please visit [www.zurn.com](http://www.zurn.com) | Patent [zurn.com/patents](http://zurn.com/patents)

# Z1198 LARGE CAPACITY OIL INTERCEPTOR WITH OIL LEVEL SENSOR



## ENGINEERING SPECIFICATION

Zurn Z1198 oil interceptor with a fiberglass sensor box containing an electronic oil level sensor (specify right or left side<sup>†</sup>) features large capacity, acid resistant coated interior and fabricated steel exterior, and a fiberglass display box with one green power light, red oil level light, audible alarm and junction box. Includes bronze cleanout plug and visible double wall trap seal, removable combination pressure equalizing/flow-diffusing baffle and sediment bucket, horizontal baffle, and vent connections either side. Secured, gasketed, non-skid cover comes complete with flow control fitting. Regularly furnished with inlet and outlet in high position.

## NOTES

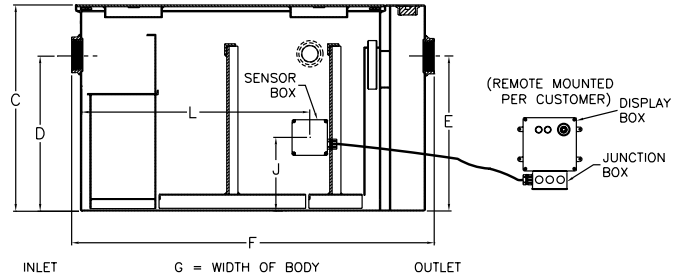
- <sup>†</sup>Installed sensor box is mounted on the left- or right-hand side of the unit when facing inlet (must be specified).
- Power supply 120V GFCI.

## RECOMMENDED INSTALLATIONS

Sitting on the floor or recessed in a pit only. (A pit installation requires that a drain or sump pump be installed to keep the pit relatively dry.) For pit installation, see Form No. IT62.

## CAUTION

Interceptors must be maintained periodically in order to ensure proper operation of the system. Follow cleaning schedule based on usage.



PREFIXES	DESCRIPTION	SIZE	LIST PRICE
<b>Z1198</b>	Acid Resistant Coated Fabricated Steel	75	<b>66,008.00</b>
		100	<b>69,648.00</b>
		125	<b>77,462.00</b>
		150	<b>80,825.00</b>
		200	<b>104,774.00</b>
		250	<b>117,731.00</b>
		300	<b>117,731.00</b>
		350	<b>142,772.00</b>
		400	POA
		450	POA
500	POA		
SUFFIXES	DESCRIPTION	ADD	
<b>-PW</b>	Plug Wrench	<b>122.00</b>	
BEST SELLERS			LIST PRICE
Z1198-75-3IP			<b>66,008.00</b>
Z1198-100-3IP			<b>69,648.00</b>

Flow Rate gpm [LPM]	Inlet/Outlet inch [mm]	Water Capacity gallon [L]	Oil Capacity gallon [L]	Approximate Weight lb [kg]	No. of Covers	Dimensions in inches [mm]					
						C	D/E	F	G	J	L
75 [284]	3 [76]	65 [246]	20 [76]	332 [151]	1	22-3/4 [578]	18-1/2 [470]	36 [914]	28-5/8 [727]	10 [254]	25-3/4 [654]
100 [379]		110 [416]	27 [102]	432 [196]		27 [686]	23 [584]	42-3/4 [1086]	33-5/8 [854]	15-3/8 [391]	30-1/8 [765]
125 [473]		150 [568]	33 [125]	780 [354]		30-1/8 [765]	24-1/2 [622]	49-1/4 [1251]	40 [1016]	15-11/16 [398]	36-5/8 [930]
150 [568]	4 [102]	190 [719]	40 [151]	888 [403]	2	30-3/4 [781]	25-1/4 [641]	56 [1422]	41-3/8 [1051]	17-5/16 [440]	43-7/8 [1114]
200 [757]		265 [1003]	53 [201]	1055 [479]		35-1/2 [902]	29-7/8 [759]	61 [1549]	43-5/8 [1108]	21-1/16 [535]	46-5/8 [1184]
250 [946]		460 [1741]	67 [254]	1438 [652]		41 [1041]	36 [914]	71 [1803]	51-3/8 [1305]	27-13/16 [706]	56-5/8 [1438]
300 [1136]	5 [127]	660 [2498]	80 [303]	1840 [835]	2	46-1/4 [1175]	39-5/8 [1006]	80 [2032]	58-3/8 [1483]	32 [813]	65-5/8 [1667]
350 [1325]		860 [3255]	93 [352]	2180 [989]		50-1/2 [1283]	43-7/8 [1114]	87 [2210]	63-5/8 [1616]	35-5/16 [897]	74-1/8 [1883]
400 [1514]		1090 [4126]	107 [405]	2536 [1150]		54-1/4 [1378]	47-5/8 [1210]	94 [2388]	67 [1702]	39-5/16 [999]	79-1/8 [2010]
450 [1703]	6 [152]	1275 [4826]	120 [454]	2816 [1277]	3	55-1/4 [1403]	48-5/8 [1235]	100 [2540]	72 [1829]	40-3/8 [1026]	85-3/8 [2169]
500 [1893]		1435 [5432]	133 [503]	2970 [1347]		57-1/4 [1454]	51-5/8 [1311]	104 [2642]	74 [1880]	43-3/16 [1097]	88-3/8 [2245]

# Z1198-ST LARGE CAPACITY OIL INTERCEPTOR WITH INTEGRAL STORAGE TANK AND OIL LEVEL FLOAT SENSOR



## ENGINEERING SPECIFICATION

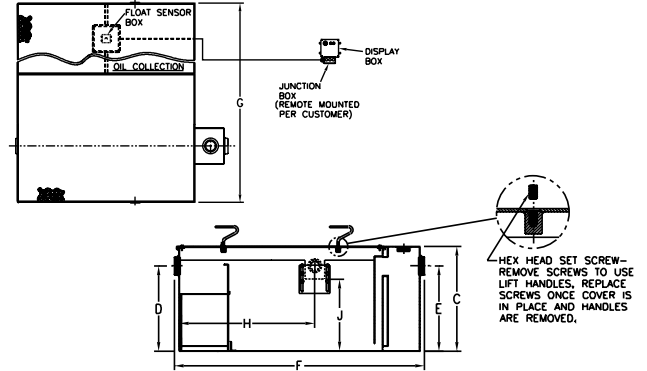
Zurn Z1198-ST oil interceptor features acid resistant coated interior and fabricated steel exterior, fiberglass sensor box containing an electronic oil level sensor, fiberglass display box with audio and visual alarms and junction box. Includes bronze cleanout plug and visible double wall trap seal, removable combination pressure equalizing/flow-diffusing baffle and sediment bucket, adjustable oil draw-off, and vent connections. Secured, gasketed, non-skid cover comes complete with flow control fitting and left hand integral storage tank. Regularly furnished with inlet and outlet in high position.

## NOTES

Location of inlet and outlet from bottom of interceptor cannot be changed.

## CAUTION

Interceptors must be maintained periodically in order to ensure proper operation of the system. Follow cleaning schedule based on usage.



PREFIXES	DESCRIPTION	SIZE	LIST PRICE
Z1198-ST*	Acid Resistant Coated Fabricated Steel	75	82,646.00
		100	88,146.00
		125	99,763.00
		150	104,845.00
		200	140,757.00
		250	160,236.00
		300	179,081.00
		350	POA
		400	POA
		500	POA

SUFFIXES	DESCRIPTION	ADD	EA. ADDITIONAL	
			SIZE	1" OVER 10" UP TO 10"
-E	Integral Acid Resistant Coated interior and exterior fabricated steel extension section. (Specify 'C' Dim. required for recessed installation.)	75	573.00	8,412.00
		100	601.00	8,771.00
		125	653.00	9,139.00
		150	684.00	9,487.00
		200	709.00	13,579.00
		250	793.00	17,618.00
		300	909.00	21,440.00
		350	1,002.00	25,373.00
		400	1,085.00	29,607.00
		450	1,140.00	34,530.00
500	1,193.00	39,533.00		

SUFFIXES	DESCRIPTION	SIZE	ADD
-HD	Heavy-Duty Traffic Cover rated at 10,000 lbs. maximum safe live load. An increased 'C' dim. is required when -HD option is specified.	75	18,749.00
		100	25,848.00
		125	28,334.00
		150	33,172.00
		200	37,841.00
		250	52,179.00
		300	67,018.00
		350	79,043.00
		400	90,998.00
		450	104,008.00
-K	Anchor flange 1 3/4" down from top and 2" wide. A 3" minimum extension height is required when anchor flange (-K) option is specified. (Specify 'C' Dim. height required.)	75	4,047.00
		100	4,531.00
		125	5,383.00
		150	6,281.00
		200	6,704.00
		250	8,996.00
		300	10,157.00
		350	11,318.00
		400	12,015.00
		450	12,719.00
-KC	Anchor flange 1 3/4" down from top and 2" wide with clamp collar. A 3" minimum extension height is required when anchor flange (-KC) option is specified. (Specify 'C' Dim. height required.)	75	7,310.00
		100	8,153.00
		125	9,139.00
		150	10,101.00
		200	11,796.00
		250	15,274.00
		300	17,196.00
		350	19,007.00
		400	20,059.00
		450	21,437.00
500	22,626.00		
-STR	Storage tank on right-hand side when facing the inlet.		N/C
<b>BEST SELLER</b>			<b>LIST PRICE</b>
Z1198-ST-75-3IP			82,646.00

Flow Rate gpm [LPM]	Inlet/Outlet inch [mm]	Water Capacity gallon [L]	Oil Capacity gallon [L]	Approximate Weight lb [kg]	No. of Covers		Dimensions in inches [mm]					
					Trap	Tank	C	D/E	F	G	H	J
75 [284]	3 [76]	88 [333]	125 [473]	615 [279]	1	1	22-3/4 [578]	18-1/2 [470]	51-3/8 [1305]	65-3/8 [1661]	29-1/4 [743]	15-1/2 [394]
100 [379]		159 [602]		800 [363]			27 [686]	23 [584]	60-3/8 [1534]	82-3/8 [2092]	35-1/4 [895]	19-3/4 [502]
125 [473]		208 [787]	250 [946]	1450 [658]			30-1/8 [765]	24-1/2 [622]	64-1/4 [1632]	84-5/8 [2149]	36 [914]	21 [533]
150 [568]	4 [102]	235 [890]		1640 [744]	2	2	30-3/4 [781]	25-1/4 [641]	68-1/4 [1734]	82-3/4 [2102]	38-11/16 [983]	21-5/8 [549]
200 [757]		333 [1261]	400 [1514]	1950 [885]			35-1/2 [902]	29-7/8 [759]	71-3/8 [1813]	92-3/4 [2356]	43-1/2 [1105]	26-3/8 [670]
250 [946]		445 [1685]		2650 [1202]			41 [1041]	36 [914]	75-1/2 [1918]	95-5/8 [2429]	40-3/4 [1035]	32-1/2 [826]
300 [1136]	5 [127]	664 [2514]		3400 [1542]	2	2	46-1/4 [1175]	39-5/8 [1006]	82-3/8 [2092]	92-3/8 [2346]	48-1/16 [1221]	37-3/4 [959]
350 [1325]		1006 [3808]	700 [2650]	4000 [1814]			50-1/2 [1283]	43-7/8 [1114]	103-1/8 [2619]	104-3/4 [2661]	61-15/16 [1573]	40-3/8 [1026]
400 [1514]		1266 [3808]		4700 [2132]			54-1/4 [1378]	47-5/8 [1210]	110-1/8 [2797]	102-5/8 [2607]	66-9/16 [1691]	44-1/8 [1121]
450 [1703]	6 [152]	1575 [5962]		5200 [2359]	2	2	55-1/4 [1403]	48-5/8 [1235]	123-1/8 [3127]	102-7/8 [2613]	75-1/4 [1911]	44-5/8 [1133]
500 [1893]		1695 [6416]		5500 [2495]			57-1/4 [1454]	51-5/8 [1311]	124-1/8 [3153]	103-5/8 [2632]	73-15/16 [1878]	48-1/8 [1222]

\*Regularly furnished unless otherwise specified.

For additional product information, please visit [www.zurn.com](http://www.zurn.com) | Patent [zurn.com/patents](http://zurn.com/patents)

Items designated as Best Sellers are most specified and are generally in stock for shipment.



## Z9A-PHIX UNDER SINK ACID NEUTRALIZATION CARTRIDGE SYSTEM



### ENGINEERING SPECIFICATION

Point of use application, replacing standard P-trap. Includes industrial strength glass-filled polypropylene body with a 1-1/2" [38mm] compression fitting inlet and 1-1/2" [38mm] no-hub outlet, removable upper neutralization chamber, and lower sediment collection chamber.

MODEL NO.	INLET	OUTLET	LIST PRICE
Z9A-PHIX	1-1/2"	1-1/2"	3,397.00



The PHIX Cartridge System includes the cartridge, brass nut and compression ring, siphon, hose, support bracket, drainage pail, two bags of PHIX Media and a 10 year warranty.

## Z9-PHIX-MEDIA PHIX MEDIA 5 GALLON PAIL



### ENGINEERING SPECIFICATION

PHIX Media is a non-hazardous, non-WHIMIS material used to neutralize acid in the PHIX cartridge and can be used to replace limestone in existing neutralization tanks. PHIX Media is a safe alternative to limestone and does not require special handling or storage.

MODEL NO.	LIST PRICE
Z9-PHIX-MEDIA	315.00

# CARRIER SYSTEMS

CARRIER – APPLICATION INDEX	194				
CARRIER – PRODUCT COMPLIANCE	194				
CARRIER – TECHNICAL DATA	194				
CARRIER – HOW TO SPECIFY	194				
CARRIER – TECHNICAL DATA	195				
<b>Z1200</b> CARRIER TOOLS AND ACCESSORIES	196				
⌚ <b>Z1201-FMBO</b> EZCARRY® ADJUSTABLE HORIZONTAL HIGH PERFORMANCE SIPHON JET WATER CLOSET CARRIER SYSTEM WITH FLOOR MOUNT BACK OUTLET FIXTURE SUPPORT	198	⌚ <b>ZF1201-N</b> EZCARRY® HORIZONTAL SIPHON JET ONE-PIECE CARRIER – NO-HUB SERIES	211	<b>Z1208-H</b> VERTICAL SIPHON JET WATER CLOSET SUPPORT SYSTEM – HUB AND SPIGOT	236
⌚ <b>Z1202-FMBO</b> EZCARRY® ADJUSTABLE VERTICAL HIGH PERFORMANCE SIPHON JET WATER CLOSET CARRIER SYSTEM WITH FLOOR MOUNT BACK OUTLET FIXTURE SUPPORT	199	⌚ <b>ZN1201-N</b> EZCARRY® ADJUSTABLE HORIZONTAL SIPHON JET – NO-HUB NARROW WALL SYSTEM (9-3/8" DEPTH FRONT TO BACK)	212	<b>Z1209-N</b> VERTICAL OFFSET SIPHON JET WATER CLOSET SUPPORT SYSTEM – NO-HUB	237
⌚ <b>Z1201-N</b> EZCARRY® ADJUSTABLE HORIZONTAL HIGH PERFORMANCE SIPHON JET NO-HUB WATER CLOSET CARRIER SYSTEM	200	⌚ <b>Z1202-N</b> EZCARRY® ADJUSTABLE VERTICAL HIGH PERFORMANCE SIPHON JET – NO-HUB SERIES	213	<b>ZN1209-N</b> VERTICAL OFFSET SIPHON JET – NO-HUB NARROW WALL SYSTEM	238
⌚ <b>Z1201-H</b> EZCARRY® ADJUSTABLE HORIZONTAL HIGH PERFORMANCE SIPHON JET HUB AND SPIGOT WATER CLOSET CARRIER SYSTEM	202	⌚ <b>Z1202-H</b> EZCARRY® ADJUSTABLE VERTICAL HIGH PERFORMANCE SIPHON JET – HUB AND SPIGOT SERIES	215	<b>Z1212</b> WALL CLOSET SUPPORT SYSTEM	239
<b>Z1201-N_4-XB</b> BARIATRIC CARRIER - 1000 LBS [454 KG] – EZCARRY® ADJUSTABLE HORIZONTAL HIGH PERFORMANCE SIPHON JET NO-HUB WATER CLOSET CARRIER SYSTEM	204	<b>Z1202-N-XB</b> EZCARRY® BARIATRIC CARRIER – 1000 LB ADJUSTABLE VERTICAL SIPHON JET – NO-HUB SERIES	217	<b>Z1213-N</b> 4" VERTICAL SIPHON JET WATER CLOSET SUPPORT SYSTEM – 2" OR 4" TOP VENT CLOSET FITTING ONLY (NO SUPPORT)	240
<b>Z1201-N_4-XH</b> EXTRA-HEAVY-DUTY - 750 LBS [340 KG] – EZCARRY® ADJUSTABLE HORIZONTAL HIGH PERFORMANCE SIPHON JET NO-HUB WATER CLOSET CARRIER SYSTEM	205	<b>Z1202-N-XH</b> EZCARRY® EXTRA HEAVY-DUTY 750 LB ADJUSTABLE VERTICAL SIPHON JET – NO-HUB SERIES	218	<b>Z1216</b> 90° DOUBLE NO-HUB SYSTEM FOR FLOOR MOUNTED BACK OUTLET WATER CLOSETS	240
⌚ <b>ZE1201-N_4</b> ELONGATED BARREL FITTING 38" [965 MM] – EZCARRY® ADJUSTABLE HORIZONTAL HIGH PERFORMANCE SIPHON JET NO-HUB WATER CLOSET CARRIER SYSTEM	206	⌚ <b>ZF1202-U</b> EZCARRY® ONE-PIECE FOOT/FACEPLATE VERTICAL SIPHON JET NO-HUB WATER CLOSET CARRIER SYSTEM	219	<b>Z1217</b> COUPLING TYPE SYSTEM – WALL URINAL/SERVICE SINK	241
⌚ <b>ZE1201-H</b> ELONGATED BARREL FITTING 41" [1042 MM] – EZCARRY® ADJUSTABLE HORIZONTAL HIGH PERFORMANCE SIPHON JET HUB AND SPIGOT WATER CLOSET CARRIER SYSTEM	208	⌚ <b>ZF1202-N</b> EZCARRY® VERTICAL SIPHON JET ONE-PIECE CARRIER – NO-HUB SERIES	220	<b>Z1218</b> COUPLING TYPE SYSTEM – WALL URINAL/SERVICE SINK	242
⌚ <b>ZF1201-U</b> ONE-PIECE FOOT/FACEPLATE – EZCARRY® HORIZONTAL HIGH PERFORMANCE SIPHON JET NO-HUB WATER CLOSET CARRIER SYSTEM	210	⌚ <b>ZN1202-N</b> EZCARRY® ADJUSTABLE VERTICAL SIPHON JET – NO-HUB NARROW WALL SYSTEM	221	<b>Z1221</b> PLATE TYPE SYSTEM – WALL URINALS	243
		<b>Z1203-N</b> ADJUSTABLE HORIZONTAL SIPHON JET – NO-HUB SERIES	222	<b>Z1222</b> PLATE TYPE SYSTEM – WITH BEARING PLATE	243
		<b>Z1203-H</b> ADJUSTABLE HORIZONTAL SIPHON JET – HUB AND SPIGOT SERIES	224	<b>Z1223</b> PLATE TYPE SYSTEM – TROUGH URINALS	244
		⌚ <b>ZE1203-N</b> ADJUSTABLE HORIZONTAL SIPHON JET WITH ELONGATED FITTING – NO-HUB SERIES	226	<b>Z1224</b> PLATE TYPE SYSTEM – LAVATORY WITH BACK	244
		⌚ <b>ZE1203-H</b> ADJUSTABLE HORIZONTAL SIPHON JET WITH ELONGATED FITTING – HUB AND SPIGOT SERIES	228	<b>Z1225</b> PLATE TYPE SYSTEM – WATER COOLERS	245
		<b>Z1204-H</b> ADJUSTABLE VERTICAL SIPHON JET – HUB AND SPIGOT SERIES	230	<b>Z1229</b> PLATE AND EXPOSED ARM – HEAVY SINKS	245
		<b>Z1204-N</b> ADJUSTABLE VERTICAL SIPHON JET – NO-HUB SERIES	232	<b>Z1231</b> CONCEALED ARM SYSTEM – WALL LAVATORIES	246
		<b>Z1207-N</b> ADJUSTABLE HORIZONTAL HIGH ROUGH-IN SIPHON JET – NO-HUB	234	⌚ <b>Z1231EZ</b> UNIVERSAL LAVATORY CARRIER – WALL LAVATORIES	246
		<b>Z1208-N</b> VERTICAL SIPHON JET WATER CLOSET SUPPORT SYSTEM – NO-HUB	235	<b>Z1236</b> EXPOSED ARM SYSTEM – WALL LAVATORIES/SINKS	247
				<b>Z1251</b> CONCEALED ARM SYSTEM – WALL SUPPORTED	248
				<b>Z1253</b> ADJUSTABLE CONCEALED ARM SYSTEM – WALL SUPPORTED	248
				<b>Z1255</b> EXPOSED ARM SYSTEM – WALL SUPPORTED	249
				<b>Z1256</b> EXPOSED ARM SYSTEM – WALL SUPPORTED	250
				<b>Z1257</b> EXPOSED ARM SYSTEM – WALL SUPPORTED	250
				<b>Z1258</b> EXPOSED ARM SYSTEM – WALL SUPPORTED	251
				<b>Z1259</b> PLATE SYSTEM – WALL SUPPORTED	252

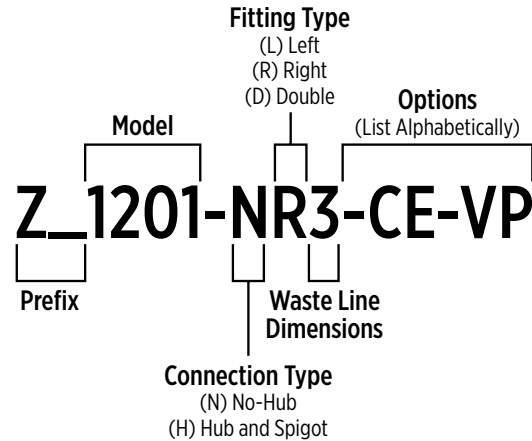
## CARRIER - APPLICATION INDEX

APPLICATION	TYPE	RECOMMENDED CARRIER
Commercial (Cement Slab) Construction Off-the-Floor Closet	300 lb Rigid System	Z1201, ZE1201, ZF1201, ZN1201, Z1202, ZF1202, ZN1202 Z1203, ZE1203, Z1204, Z1207, Z1208, Z1209, ZN1209
	500 lb Rigid System	Z1201, Z1202, ZE1201, ZF1201, ZN1201, ZF1202, ZN1202
	750 lb Extra-Heavy-Duty	Z1201-XH, Z1202-XH
	1000 lb Bariatric	Z1201-XB, Z1202-XB
Wood Stud and Residential Off-the-Floor Closet		Z1212
Penal Fixtures and Floor Mounted Back Outlet Fixtures		Z1216
Off-the-Floor Lavatories	Plate Type	Z1224, Z1224-EZ, Z1259 (No Uprights)
	Concealed Arm	Z1231, Z1231EZ, Z1251, Z1253 (No Uprights)
	Exposed Arm	Z1236, Z1256, Z1257, Z1258 (No Uprights)
Wash Sinks, Mop Sinks, Heavy Cast Sinks, Service Sinks		Z1217, Z1218, Z1229
Off-the-Floor Urinals		Z1221, Z1221-EZ, Z1222, Z1222-EZ, Z1223
Drinking Fountains, Water Coolers		Z1225
System Accessories		Z1200

## CARRIER - PRODUCT COMPLIANCE

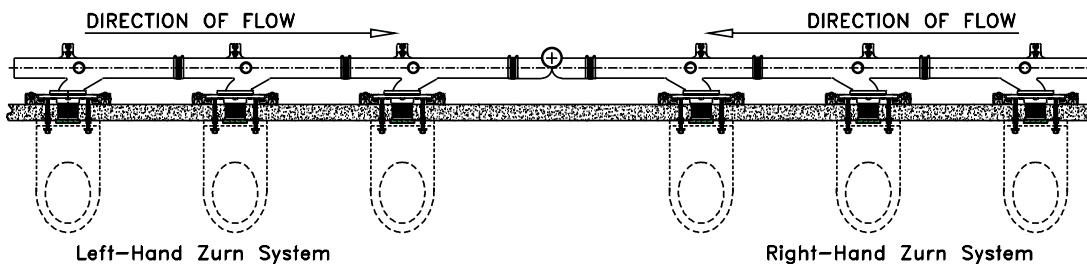
Zurn systems comply with ANSI A112.6.1M and are listed with IAPMO. For verification of a selected carrier, contact your local Zurn Sales Representative.

## CARRIER - HOW TO SPECIFY



## CARRIER - TECHNICAL DATA

### DETERMINATION OF RIGHT- AND LEFT-HAND SYSTEMS



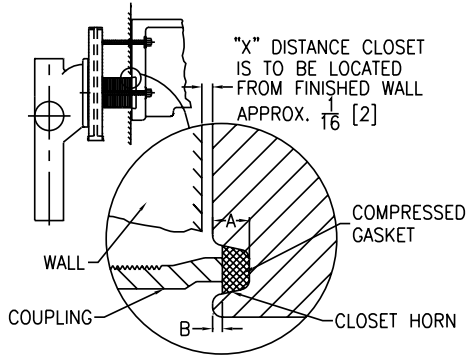
Stand facing the fixture.

If flow is from the right, Zurn System is right-hand. If flow is from the left, Zurn System is left-hand.

# CARRIER – TECHNICAL DATA

## DETERMINATION OF COUPLING AND FIXTURE DISTANCES FROM FRONT OF WALL

To ensure a tight seal at outlet of closet having a rectangular groove, the front end of the coupling should be located to compress the gasket adequately when the fixture is in the desired location. This dimension will vary depending on depth of recess (Dim. A) in closet. The following formula may be used to determine amount coupling should extend (Dim. B) in front of finished wall.



*Inset illustrates depth of gasket recess in fixture and coupling with normal pressure on gasket.*

A = depth of recess in closet

X = distance closet is to be located from finished wall

B = distance coupling should extend in front of finished wall.

$$\text{Thus, } A + X - 1/2" = B$$

With fixtures having vee-shaped grooves, coupling may have to extend an additional 1/8" or more. With any closet, the coupling must compress the gasket enough so that the adhesive-coated surfaces are in good contact with the china and the face of the coupling.

**IMPORTANT:** Bearing nuts and washers must be located properly to establish and maintain dimension "X."

## DISTANCE FIXTURE BOLTS LOCATED IN FRONT OF WALL

To locate fixture bolts:

T = thickness of wall flange of closet

X = distance closet is to be located from finished wall

B = distance fixture studs should extend in front of finished wall.

$$\text{Thus, } T + X + 5/8" = B$$

**"Minimum 'P' Dimension"** is the minimum dimension from front of faceplate to finished wall:

Z1201/Z1202/Z1203/Z1204	Z1208 thru Z1209
1-3/4"	1"

**"Standard 'P' Dimension"** which is regularly supplied unless otherwise specified, provides for the following dimensions from the front of the faceplate to finished wall:

Z1201/Z1202/Z1203/Z1204		Z1208 thru Z1209	
MIN.	MAX.	MIN.	MAX.
5"	6"	4"	5-1/8"

Longer 'P' dimensions (or shorter) with couplings up to, and including 12", are furnished at no extra charge. An additional charge will be made for greater 'P' dimensions (see Suffix -CL).

## ALLOWANCE FOR CONCEALED FLUSH VALVES

When wall closets are installed with concealed flush valves having rear inlet supply, location of faceplate is important – for Siphon Jet bowls, it is not necessary to locate faceplate behind supply line, since supply line will clear top of faceplate and vent line. For Blow Out installations, however, faceplate must be located behind supply line to prevent interference of faceplate with supply line.

Dimensions below based on B = 3/8".

Z1201/Z1202/Z1203/Z1204			
'P' Dimension*		Coupling Length	Stud Length
Min.	Max.		
1-3/4	2-3/4	2-3/4	6
2-1/2	3-1/2	3-1/2	8
3	4	4	8
4	5	5	8
5	6	6	9
6	7	7	10
7	8	8	11-1/4
7-1/2	8-1/2	8-1/2	11-1/4
8-1/4	9-1/4	9-1/4	12-3/4
9	10	10	12-3/4
10	11	11	15-3/4
11	12	12	15-3/4

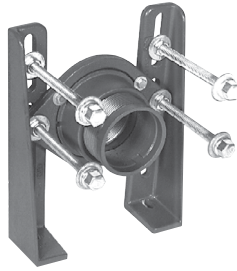
Z1208 thru Z1209			
'P' Dimension*		Coupling Length	Stud Length
Min.	Max.		
1	1-7/8	2-3/4	6
1-1/2	2-5/8	3-1/2	8
2	3-1/8	4	8
3	4-1/8	5	8
4	5-1/8	6	9
5	6-1/8	7	9
6	7-1/8	8	11-1/4
6-1/2	7-5/8	8-1/2	11-1/4
7-1/4	8-3/8	9-1/4	12-3/4
8	9-1/8	10	12-3/4
9	10-1/8	11	15-3/4
10	11-1/8	12	15-3/4

# Z1200 CARRIER TOOLS AND ACCESSORIES

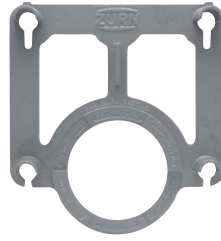
INTRO  
ROOF DRAINS  
FLOOR DRAINS  
T, P, BW VALVES  
INTERCEPTORS  
CARRIERS  
HYDRANTS  
CLEANOUTS  
WHA  
SS DRAINS  
SANI-FLOOR  
TECH INFO



Z1200-CPLGWRNCH



Z1200-AUX-SPRT



⌚ Z1200-RI-GAUGE



Z1200-NEOSEAL-GSKT-4



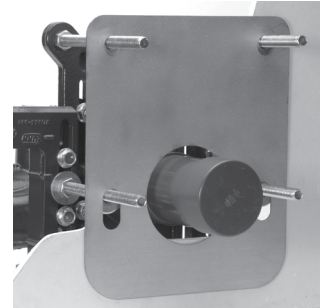
Z1200-RTRFT-NUT



Z1200-VP-HARDWARE

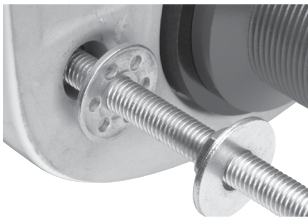


Z1200-VP-WRENCH

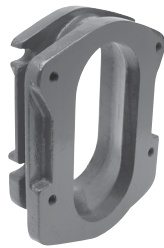


⌚ EZCUTGUIDE†

*\*Image showing old style carrier*



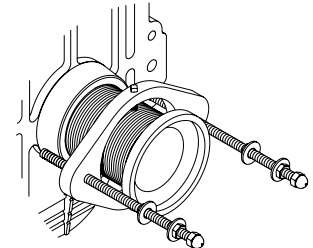
Z1200-ADJ-NUT



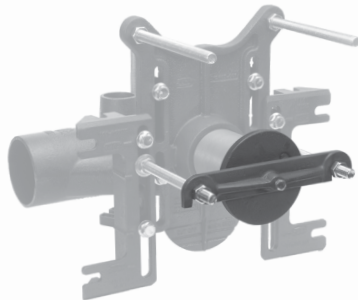
⌚ Z1200-OFL-EZ Patented



⌚ Z1200-OFR-EZ Patented

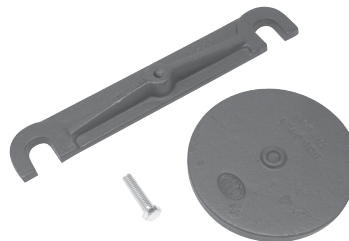


⌚ Z1200-FLRMNT-ADPT



Z1200-CC-TESTCAP shown on Z1201-N†

*\*Image showing old style carrier*



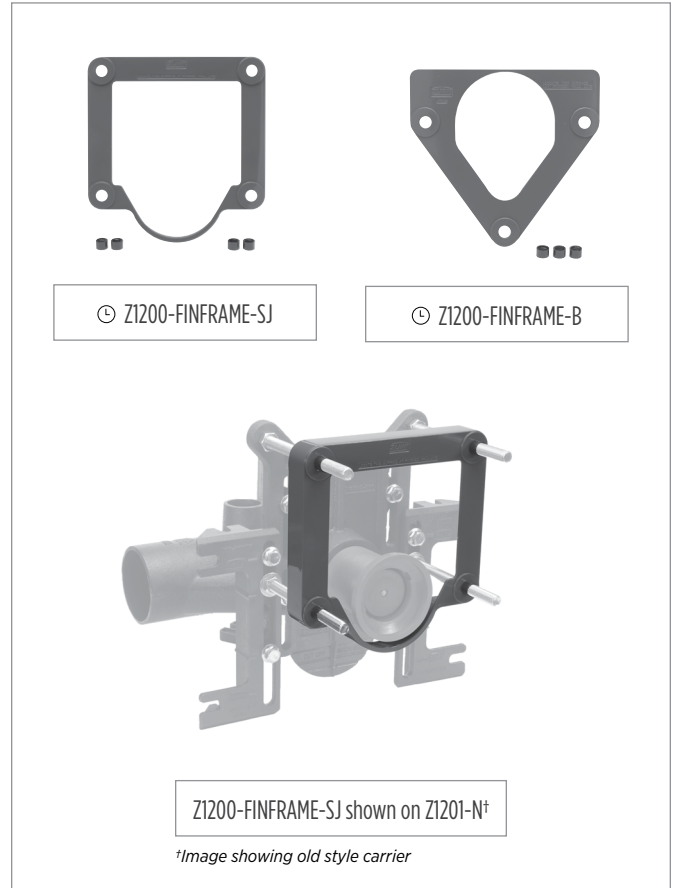
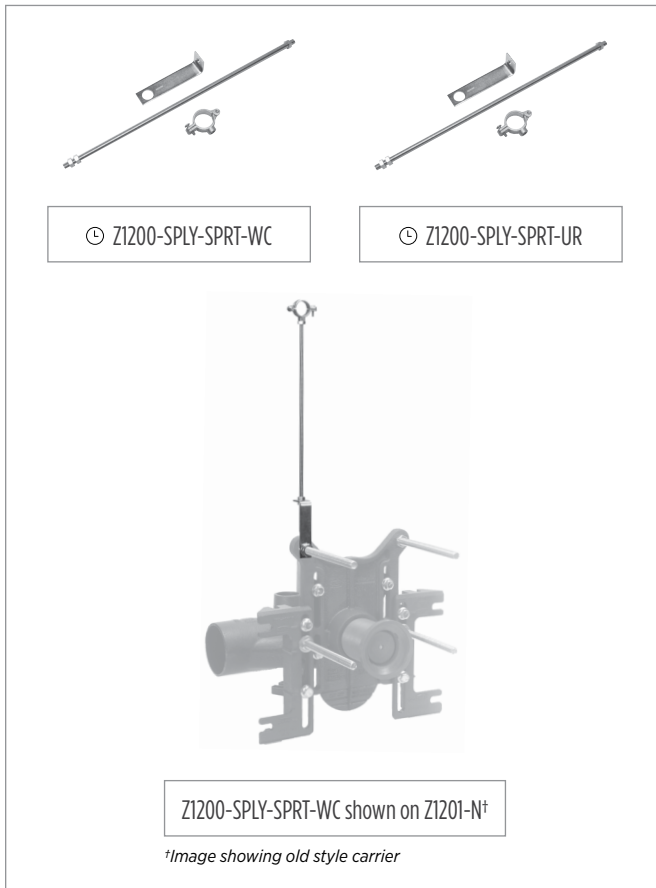
Z1200-CC-TESTCAP

\*Regularly furnished unless otherwise specified.  
For additional product information, please visit [www.zurn.com](http://www.zurn.com) | Patent [zurn.com/patents](http://zurn.com/patents)  
196

Items designated as Best Sellers are most specified and are generally in stock for shipment.  
⌚ This symbol denotes a product that is engineered to reduce installation and rework time.  
For Additional System Tools See "Z1200 Carrier Tools and Accessories" on page 196

## Z1200 CARRIER TOOLS AND ACCESSORIES

PRODUCT NUMBER	DESCRIPTION	LIST PRICE
⌚ EZCUTGUIDE	EZ-Set Cutting Guide for use with -CE coupling system	355.00
Z1200-ADJ-NUT	Flush Wall Adjustment Nut/Washer	16.00
Z1200-AUX-SPRT	Auxiliary Support Assembly (Required For P-Dim. Greater than 18")	1,179.00
Z1200-AUX-FT-SPRT	Auxiliary Foot Support Assembly (Required For P-Dim. 7" - 18")	446.00
Z1200-CC-TESTCAP	Mechanical Test Cap Assembly for -CC Coupling	152.00
Z1200-CPLGWRNCH-3	Adjusting Wrench for 3" Adjustable Coupling - <b>BEST SELLER</b>	152.00
Z1200-CPLGWRNCH-4	Adjusting Wrench for 4" Adjustable Coupling - <b>BEST SELLER</b>	152.00
⌚ Z1200-FINFRAME-SJ	Finishing Frame for Siphon Jet System - <b>BEST SELLER</b>	119.00
⌚ Z1200-FINFRAME-B	Finishing Frame for Blowout Type System (Not for use with Z1201/ Z1202)	119.00
⌚ Z1200-FLRMNT-ADPT	Adapter Flange Assembly for Floor Mounted Back Outlet Fixture - <b>BEST SELLER</b>	219.00
Z1200-FT-EXT-2	2" Foot Extension Assembly	125.00
Z1200-FT-EXT-3	3" Foot Extension Assembly	125.00
Z1200-FT-EXT-4	4" Foot Extension Assembly	125.00
⌚ Z1200-NEOSEAL-GSKT-4	4" Bonded "Neo-Seal" Closet Gasket Kit (Previously Z1210-57) - <b>BEST SELLER</b>	119.00
⌚ Z1200-OFL-EZ	Offset Fitting - Left - <b>BEST SELLER</b>	1,048.00
⌚ Z1200-OFR-EZ	Offset Fitting - Right	1,048.00
Z1200-RI-GAUGE	Water Closet Rough-In Gauge	119.00
Z1200-RTRTFT-NUT	Retro-Fit Cap Nut	66.00
⌚ Z1200-SPLY-SPRT-UR	Flush Valve Supply Support for Urinals	125.00
⌚ Z1200-SPLY-SPRT-WC	Flush Valve Supply Support for Water Closets - <b>BEST SELLER</b>	125.00
Z1200-VP-WRNCH	Wrench for Vandal-Proof Screws	41.00
Z1200-VP-HRDWR-1/4	1/4" Vandal-Proof Cap Nuts (1 Set)	192.00
Z1200-VP-HRDWR-3/8	3/8" Vandal-Proof Cap Nuts (1 Set)	192.00
Z1200-VP-HRDWR-5/8	5/8" Vandal-Proof Cap Nuts (1 Set)	192.00



Items designated as Best Sellers are most specified and are generally in stock for shipment.  
 ⌚ This symbol denotes a product that is engineered to reduce installation and rework time.  
 For Additional System Tools See "Z1200 Carrier Tools and Accessories" on page 196

\*Regularly furnished unless otherwise specified.  
 For additional product information, please visit [www.zurn.com](http://www.zurn.com) | Patent [zurn.com/patents](http://zurn.com/patents)

**Z1201-FMBO EZCARRY® ADJUSTABLE HORIZONTAL HIGH PERFORMANCE SIPHON JET WATER CLOSET CARRIER SYSTEM WITH FLOOR MOUNT BACK OUTLET FIXTURE SUPPORT**



**ENGINEERING SPECIFICATION**

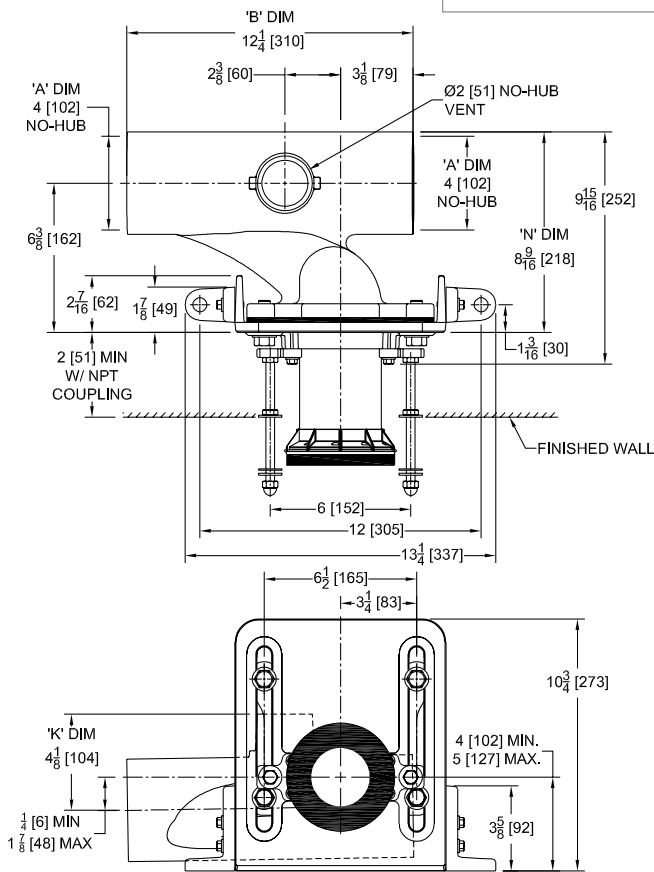
EZCarry® horizontal siphon jet water closet carrier system with high performance waterway and ( ) hub and spigot or no-hub connections. Floor mount back outlet connection optimized for installation. System includes Dura-Coated cast iron main fitting with hydro-mechanically optimized sweep and extended 2" [51 mm] vent, adjustable gasketed faceplate, floor mounted, back outlet fixture support, trim, bonded "Neo-Seal" gasket, and EZ-Set™ Coupling designed to increase flow velocity and line carry.

**NOTE**

Feet anchored to floor using minimum 1/2" [13] diameter anchors.

Product Number	Dimensions in inches [mm]				Approximate Weight lb [kg]
	A	B	K	N	
Z1201-NL3-FMBO	3 [75]	-	4-5/8 [117]	-	-
Z1201-NR3-FMBO					
Z1201-NL4-FMBO	4 [102]	-	-	-	-
Z1201-NR4-FMBO		12-1/4 [310]	4-1/8 [104]	8-9/16 [218]	-
Z1201-ND3-FMBO	3 [75]	-	-	-	101 [46]
Z1201-ND4-FMBO		-	-	-	108 [49]
Z1201-HL4-FMBO		-	-	-	-
Z1201-HR4-FMBO	4 [102]	16-1/4 [413]	4-1/8 [105]	8-9/16 [218]	-
Z1201-HD4-FMBO		16-1/4 [413]	4-1/8 [105]	12-3/4 [324]	-

Z1201-N\_4-FMBO (Single)



PREFIXES	DESCRIPTION	SINGLE	DOUBLE
ZQ1201*	D.C.C.I. System with NPT Faceplate Non-Adjustable Coupling	See Fitting Type for Pricing	
<b>FITTING TYPE - NO HUB</b>			
-NL3-FMBO	3" [76] No-Hub Left Hand Inlet with Flow to Right	1,980.00	-
-NR3-FMBO	3" [76] No-Hub Right Hand Inlet with Flow to Left	1,980.00	-
-NL4-FMBO	4" [102] No-Hub Left Hand Inlet with Flow to Right	2,167.00	-
-NR4-FMBO	4" [102] No-Hub Right Hand Inlet with Flow to Left	2,167.00	-
-ND3-FMBO	3" [76] No-Hub Back-to-Back Inlet (Double)	-	3,649.00
-ND4-FMBO	4" [102] No-Hub Back-to-Back Inlet (Double)	-	4,051.00
<b>FITTING TYPE - HUB &amp; SPIGOT</b>			
-HL4-FMBO	4" [102] Hub and Spigot Left Hand Inlet with Flow to Right	2,230.00	-
-HR4-FMBO	4" [102] Hub and Spigot Right Hand Inlet with Flow to Left	2,230.00	-
-HD4-FMBO	4" [102] Hub and Spigot Back-to-Back Inlet (Double)	-	4,158.00
<b>SUFFIXES</b>			
-G	Galvanized Cast Iron	1,119.00	2,233.00
-VP	Vandal-Proof Trim	192.00	371.00

\*Regularly furnished unless otherwise specified.

For additional product information, please visit [www.zurn.com](http://www.zurn.com) | Patent [zurn.com/patents](http://zurn.com/patents)

Items designated as Best Sellers are most specified and are generally in stock for shipment.

⌚ This symbol denotes a product that is engineered to reduce installation and rework time.

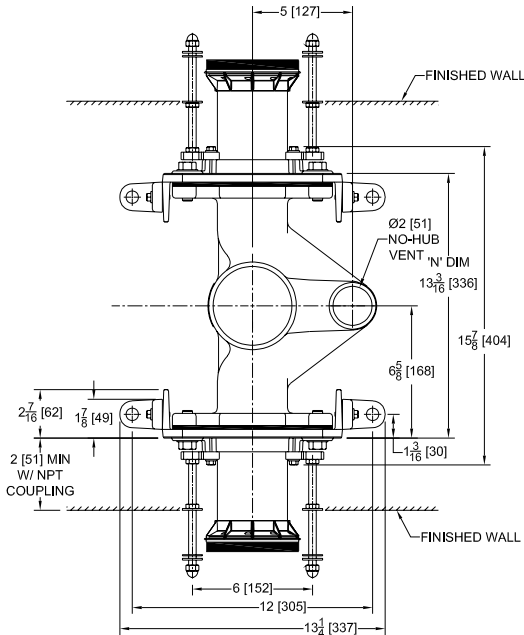
For Additional System Tools See "Z1200 Carrier Tools and Accessories" on page 196

**Z1202-FMBO** EZCARRY® ADJUSTABLE VERTICAL HIGH PERFORMANCE SIPHON JET WATER CLOSET CARRIER SYSTEM WITH FLOOR MOUNT BACK OUTLET FIXTURE SUPPORT

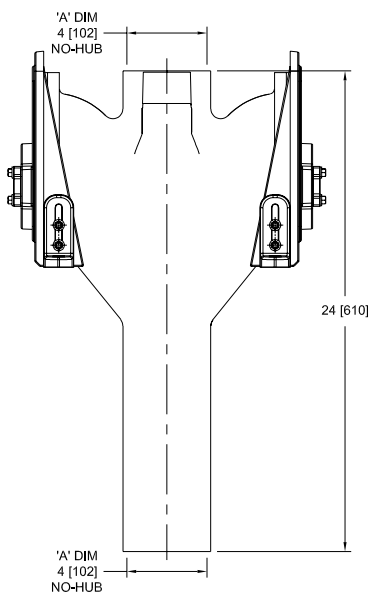
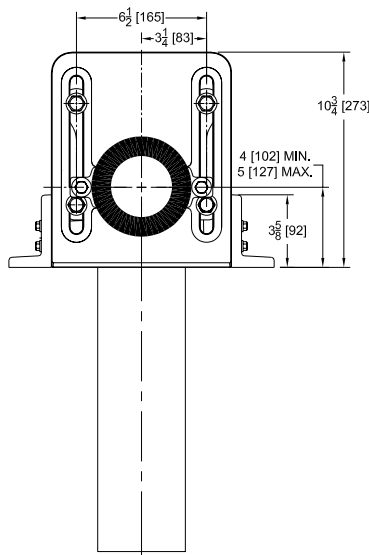


**ENGINEERING SPECIFICATION**

EZCarry® vertical siphon jet water closet carrier system with high performance waterway and 4" [102mm] hub and spigot or no-hub connections. Floor mount back outlet connection optimized for installation. System includes Dura-Coated cast iron main fitting with hydro-mechanically optimized sweep and extended 2" [51 mm] vent, adjustable gasketed faceplate, floor mounted, back outlet fixture support, trim, bonded "Neo-Seal" gasket, and EZ-Set™ Coupling designed to increase flow velocity and line carry



Z1202-ND4-FMBO (Double)



Product Number	Dimensions in inches [mm]				Approximate Weight lb [kg]
	A	B	K	N	
Z1202-N4-FMBO		-	-	8-1/2	-
Z1202-ND4-FMBO	4 [102]	-	-	13-3/16 [336]	-
Z1202-H4-FMBO		-	-	9-3/16	64 [29]

PREFIXES	DESCRIPTION	SINGLE	DOUBLE
ZQ1202*	D.C.C.I. System with NPT Faceplate Non-Adjustable Coupling	See Fitting Type for Pricing	

**FITTING TYPE - NO HUB**

-N4-FMBO	4" No-Hub Stack, Single Inlet, 2" Right Hand Vent	2,453.00	-
-ND4-FMBO	4" [102] No-Hub Back-to-Back Inlet (Double)	-	4,338.00

**FITTING TYPE - HUB & SPIGOT**

-H4-FMBO	4" [102] Hub & Spigot Stack, Single Inlet, 2[51] Right Hand Vent	2,638.00	-
----------	--	----------	---

**SUFFIXES**

		SINGLE	DOUBLE
-G	Galvanized Cast Iron	1,119.00	2,233.00
-VP	Vandal-Proof Trim	192.00	371.00

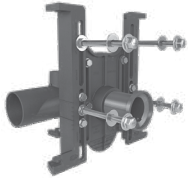
Items designated as Best Sellers are most specified and are generally in stock for shipment.  
 ⌚ This symbol denotes a product that is engineered to reduce installation and rework time.  
 For Additional System Tools See "Z1200 Carrier Tools and Accessories" on page 196

\*Regularly furnished unless otherwise specified.  
 For additional product information, please visit [www.zurn.com](http://www.zurn.com) | [Patent.zurn.com/patents](http://Patent.zurn.com/patents)

INTRO  
 ROOF DRAINS  
 FLOOR DRAINS  
 T, P, BW VALVES  
 INTERCEPTORS  
 CARRIERS  
 HYDRANTS  
 CLEANOUTS  
 WHA  
 SS DRAINS  
 SANI-FLOOR  
 TECH INFO



# ⌚ Z1201-N EZCARRY® ADJUSTABLE HORIZONTAL HIGH PERFORMANCE SIPHON JET NO-HUB WATER CLOSET CARRIER SYSTEM



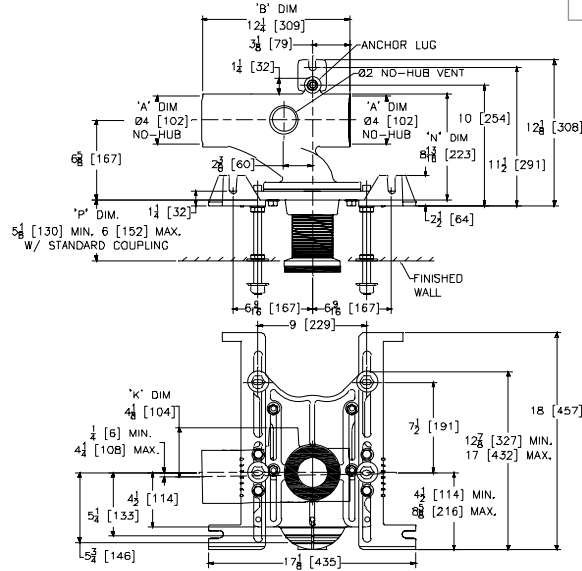
## ENGINEERING SPECIFICATION

Zurn Z1201-N( ) EZCarry® horizontal siphon jet water closet carrier system features high performance waterway and ( ) no-hub connections. System includes Dura-Coated cast iron right-hand, left-hand, or double main fitting with hydro-mechanically optimized sweep and extended 2" vent, adjustable gasketed faceplate, floor mounted pre-fab slotted foot supports with top anchoring pre-fab support base, heavy-duty 1/2" rear anchor tie down, fixture bolts, trim, stud protectors, bonded Neo-Seal gasket, and corrosion resistant adjustable 3" diameter x 6" coupling with integral test cap designed to increase flow velocity and line carry. EZCarry system complies with the requirements of ASME A112.6.1M, up to a 500 lb static load rate.

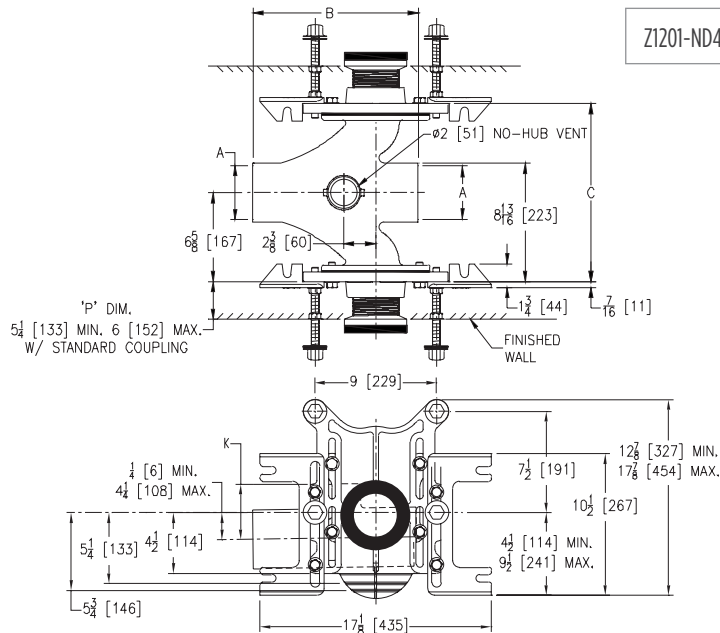
## NOTES

1. Cut 4" adjustable coupling minimum "P" dimension obtainable = 2". EZ-Set" coupling, minimum "P" dimension obtainable = 4-1/4" or 2-1/16" for 12" NPT.
2. Feet bolted to floor using minimum 1/2 diameter anchors and back slots on carrier feet.
3. Rear anchor foot required for secure installation.

Z1201-NR4 (Single)



Z1201-ND4 (Double)



\*Regularly furnished unless otherwise specified.

For additional product information, please visit [www.zurn.com](http://www.zurn.com) | Patent [zurn.com/patents](http://zurn.com/patents)

Items designated as Best Sellers are most specified and are generally in stock for shipment.

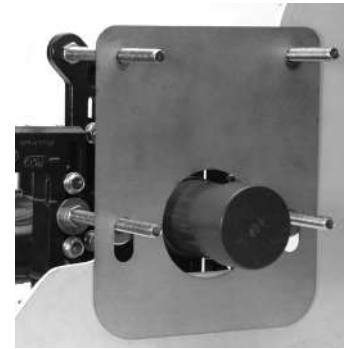
⌚ This symbol denotes a product that is engineered to reduce installation and rework time.

For Additional System Tools See "Z1200 Carrier Tools and Accessories" on page 196

# ⌚ Z1201-N EZCARRY® ADJUSTABLE HORIZONTAL HIGH PERFORMANCE SIPHON JET – NO-HUB SERIES

Product Number	Dimensions in inches [mm]				Approximate Weight lb [kg]
	A	B	K	N	
Z1201-NL3	3 [76]	11-1/2 [292]	4-7/16 [113]	7-3/8 [187]	55 [25]
Z1201-NR3				9-3/4 [248]	101 [46]
Z1201-ND3					
Z1201-NL4	4 [102]	12-1/4 [311]	4-1/8 [105]	8-13/16 [224]	58 [26]
Z1201-NR4					
Z1201-ND4					

PREFIXES	DESCRIPTION	SINGLE	DOUBLE
Z1201*	D.C.C.I. System with 4" Adjustable Coupling	<b>See Fitting Type for Pricing</b>	
ZQ1201	D.C.C.I. System with NPT Faceplate Non-Adjustable Coupling		
FITTING TYPE			
-NL3	3" No-Hub Left-Hand Inlet with Flow to Right	1,980.00	-
-NR3	3" No-Hub Right-Hand Inlet with Flow to Left	1,980.00	-
-ND3	3" No-Hub Back-to-Back Inlet (Double)	-	3,649.00
-NL4	4" No-Hub Left-Hand Inlet with Flow to Right	2,167.00	-
-NR4	4" No-Hub Right-Hand Inlet with Flow to Left	2,167.00	-
-ND4	4" No-Hub Back-to-Back Inlet (Double)	-	4,051.00
SUFFIXES		ADD	
-A	Auxiliary Support Assembly (Required For 'P' Dim. Greater than 18")	1,179.00	2,351.00
-CC	Corrosion Resistant Cast Iron Coupling (2-1/4" to 12")	N/C	N/C
-CE	EZ-SET™ Coupling (6", 12" & 18")	6"	79.00 157.00
		12"	79.00 157.00
		18"	710.00 1,418.00
-CL	Custom Length Standard Coupling with Integral Test Cap (Specify Length 6" or 12")	N/C	N/C
⌚ -CS	2-1/4" Polymer Coupling with Integral Test Cap	N/C	N/C
-G	Galvanized Cast Iron	1,119.00	2,233.00
-JC	2" Auxiliary Inlet with 1/8" Bend (1NL4, 1NR4 Only)	500.00	-
-M	Auxiliary Foot Support (Required For 'P' Dim. 7" - 18")	446.00	885.00
⌚ -RYK17	One Piece Unistrut Pre-Fab Foot Support	N/C	N/C
-VP	Vandal-Proof Trim	192.00	371.00
⌚ -45	Finishing Frame for Siphon Jet System	119.00	230.00
⌚ -50	Flush Valve Supply Support for Water Closet	125.00	245.00
		DEDUCT	
-F	Floor Mounted, Back Outlet Fixture Support	(219.00)	(433.00)
BEST SELLERS		LIST PRICE	
Z1201-ND4		4,051.00	
Z1201-ND4-CL=12		4,051.00	
Z1201-NL3		1,980.00	
Z1201-NL4		2,167.00	
Z1201-NL4-CL=12		2,167.00	
Z1201-NR4		2,167.00	
Z1201-NR4-CL=12		2,167.00	
ZQ1201-ND4-45-50		4,526.00	
ZQ1201-NR4-45-50		2,410.00	



⌚ Z1200-EZCUTGUIDE†

\*Image showing old style carrier



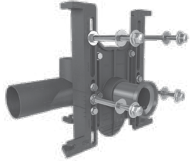
Z1200-CPLGWRNCH-3

Items designated as Best Sellers are most specified and are generally in stock for shipment.  
 ⌚ This symbol denotes a product that is engineered to reduce installation and rework time.  
 For Additional System Tools See "Z1200 Carrier Tools and Accessories" on page 196

\*Regularly furnished unless otherwise specified.  
 For additional product information, please visit [www.zurn.com](http://www.zurn.com) | Patent [zurn.com/patents](http://zurn.com/patents)

INTRO  
 ROOF DRAINS  
 FLOOR DRAINS  
 T, P, BW VALVES  
 INTERCEPTORS  
 CARRIERS  
 HYDRANTS  
 CLEANOUTS  
 WHA  
 SS DRAINS  
 SANI-FLOOR  
 TECH INFO

# 🕒 Z1201-H EZCARRY® ADJUSTABLE HORIZONTAL HIGH PERFORMANCE SIPHON JET HUB AND SPIGOT WATER CLOSET CARRIER SYSTEM

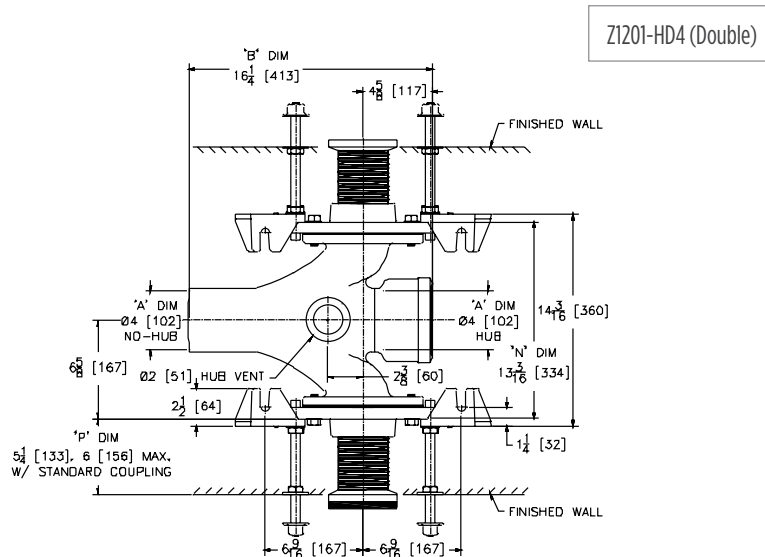
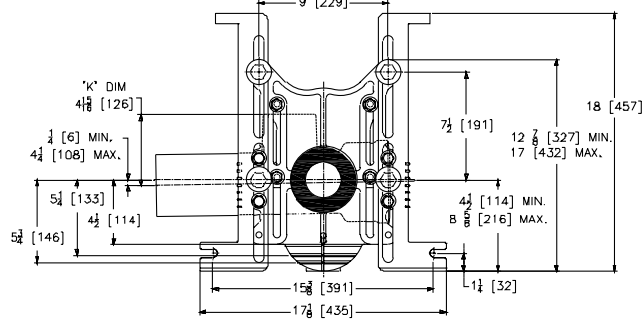
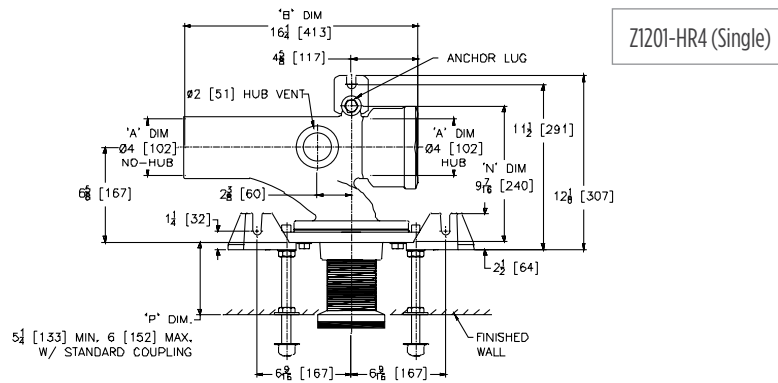


## ENGINEERING SPECIFICATION

Zurn Z1201-H( ) EZCarry® horizontal siphon jet water closet carrier system features high performance waterway and 4" hub and spigot connections. System includes Dura-Coated cast iron right-hand, left-hand, or double main fitting with hydro-mechanically optimized sweep and extended 2" vent, adjustable gasketed faceplate, floor mounted pre-fab slotted foot supports with top anchoring pre-fab support base, heavy-duty 1/2" rear anchor tie down, fixture bolts, trim, stud protectors, bonded Neo-Seal gasket, and corrosion resistant adjustable 3" diameter x 6" coupling with integral test cap designed to increase flow velocity and line carry. EZCarry® system complies with the requirements of ASME A112.6.1M, up to a 500 lb static load rating.

## NOTES

1. Cut 4" adjustable coupling minimum "P" dimension obtainable = 2". EZ-Set™ coupling, minimum "P" dimension obtainable = 4-1/4" or 2-1/16" for 12" NPT.
2. Feet bolted to floor using minimum 1/2 diameter anchors and back slots on carrier feet.
3. Rear anchor foot required for secure installation.



\*Regularly furnished unless otherwise specified.

For additional product information, please visit [www.zurn.com](http://www.zurn.com) | Patent [zurn.com/patents](http://zurn.com/patents)

Items designated as Best Sellers are most specified and are generally in stock for shipment.

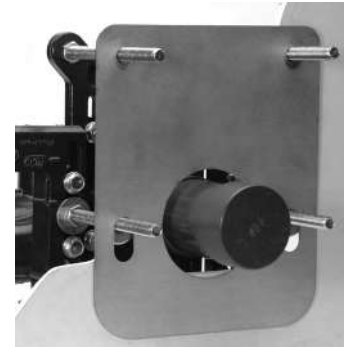
🕒 This symbol denotes a product that is engineered to reduce installation and rework time.

For Additional System Tools See "Z1200 Carrier Tools and Accessories" on page 196

🕒 **Z1201-H EZCARRY® ADJUSTABLE HORIZONTAL HIGH PERFORMANCE SIPHON JET – HUB AND SPIGOT SERIES**

Product Number	Dimensions in inches [mm]				Approximate Weight lb [kg]
	A	B	K	N	
Z1201-HL4	4 [102]	13-3/4 [349]	4-5/16 [110]	9-1/2 [241]	64 [29]
Z1201-HR4			6-1/8 [156]	13-3/16 [351]	109 [49]
Z1201-HD4					

PREFIXES	DESCRIPTION	SINGLE	DOUBLE
<b>Z1201*</b>	D.C.C.I. System with 4" Adjustable Coupling	<b>See Fitting Type for Pricing</b>	
<b>ZQ1201</b>	D.C.C.I. System with NPT Faceplate, Non-Adjustable Coupling		
FITTING TYPE			
<b>-HL4</b>	4" Hub & Spigot, Left-Hand Inlet with Flow to Right	<b>2,230.00</b>	-
<b>-HR4</b>	4" Hub & Spigot, Right-Hand Inlet with Flow to Left	<b>2,230.00</b>	-
<b>-HD4</b>	4" Hub & Spigot Back-to-Back Inlet (Double)	-	<b>4,158.00</b>
SUFFIXES		ADD	
<b>-A</b>	Auxiliary Support Assembly (Required For 'P' Dim. Greater than 18")	<b>1,179.00</b>	<b>2,351.00</b>
🕒 <b>-CC</b>	Corrosion Resistant Cast Iron Coupling (2-1/4" to 12")	<b>N/C</b>	<b>N/C</b>
🕒 <b>-CE</b>	EZ-SET™ Coupling (6", 12" & 18")	6"	<b>79.00 157.00</b>
		12"	<b>79.00 157.00</b>
		18"	<b>710.00 1,418.00</b>
🕒 <b>-CL</b>	Custom Length Standard Coupling with Integral Test Cap (Specify Length 6" or 12")	<b>N/C</b>	<b>N/C</b>
<b>-CS</b>	2-1/4" Polymer Coupling with Integral Test Cap	<b>N/C</b>	<b>N/C</b>
<b>-G</b>	Galvanized Cast Iron	<b>1,119.00</b>	<b>2,233.00</b>
<b>-M</b>	Auxiliary Foot Support (Required For 'P' Dim. 7" thru 18")	<b>446.00</b>	<b>885.00</b>
🕒 <b>-RYK17</b>	One Piece Unistrut Pre-Fab Foot Support	<b>N/C</b>	<b>N/C</b>
<b>-VP</b>	Vandal-Proof Trim	<b>192.00</b>	<b>371.00</b>
🕒 <b>-45</b>	Finishing Frame for Siphon Jet System	<b>119.00</b>	<b>230.00</b>
🕒 <b>-50</b>	Flush Valve Supply Support for Water Closet	<b>125.00</b>	<b>245.00</b>
		DEDUCT	
<b>-F</b>	Floor Mounted, Back Outlet Fixture Support	<b>(219.00)</b>	<b>(433.00)</b>



🕒 Z1200-EZCUTGUIDE†

\*Image showing old style carrier



Z1200-CPLGWRNCH-3

Items designated as Best Sellers are most specified and are generally in stock for shipment.  
 🕒 This symbol denotes a product that is engineered to reduce installation and rework time.  
 For Additional System Tools See "Z1200 Carrier Tools and Accessories" on page 196

\*Regularly furnished unless otherwise specified.  
 For additional product information, please visit [www.zurn.com](http://www.zurn.com) | Patent [zurn.com/patents](http://zurn.com/patents)

INTRO  
 ROOF DRAINS  
 FLOOR DRAINS  
 T, P, BW VALVES  
 INTERCEPTORS  
 CARRIERS  
 HYDRANTS  
 CLEANOUTS  
 WHA  
 SS DRAINS  
 SANI-FLOOR  
 TECH INFO

# Z1201-N\_4-XB BARIATRIC CARRIER - 1000 LBS [454 KG] – EZCARRY® ADJUSTABLE HORIZONTAL HIGH PERFORMANCE SIPHON JET NO-HUB WATER CLOSET CARRIER SYSTEM



## ENGINEERING SPECIFICATION

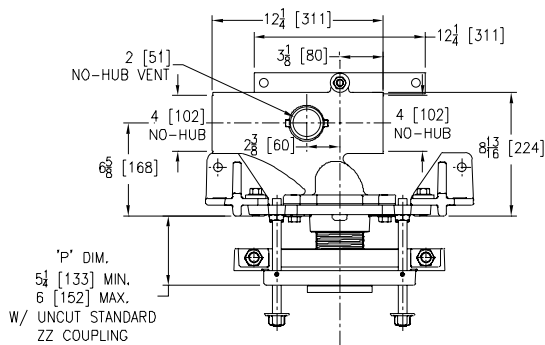
Zurn Z1201-N(-)XB EZCarry® bariatric horizontal siphon jet water closet carrier system features high performance Dura-Coated cast iron main fitting with hydromechanically optimized sweep, 4" no-hub connections, and extended 2" vent. Corrosion resistant adjustable cast iron coupling is designed to increase flow velocity and line carry. Labor saving Neo-Seal bonded gasket optimizes flow performance, while reducing installation steps. Complete system includes an adjustable, gasketed faceplate, floor mounted foot supports, rigid support frame assembly, extra heavy-duty 1/2" rear anchor tie down, fixture bolts, trim, and stud protectors. EZCarry® XB system complies with all applicable requirements of ASME A112.6.1M up to a 1000 lb maximum static load.

## NOTES

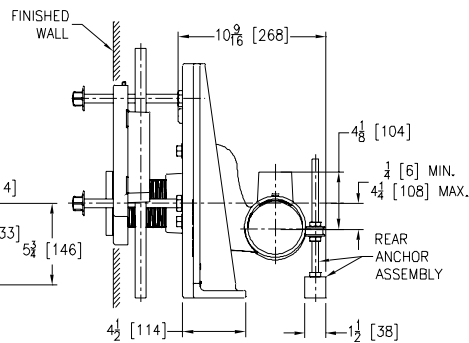
1. Cut 4" adjustable coupling minimum 'P' dimension obtainable = 3".
2. Feet bolted to floor using minimum 1/2" diameter anchors.
3. Rear anchor assembly required for secure installation.
4. Floor anchors must each be able to withstand a pull-out force of 748 lb.
5. Pull-out forces are calculated values with standard coupling assembly. No safety factor has been applied. See Form #C38 for more information.

Product Number	Approximate Weight lb [kg]
Z1201-NL4-XB	100 [45]
Z1201-NR4-XB	100 [45]
Z1201-ND4-XB	173 [78]

PREFIXES	DESCRIPTION	SINGLE	DOUBLE
Z1201*	D.C.C.I. System with 4" Adjustable Coupling	<b>See Fitting Type for Pricing</b>	
FITTING TYPE			
-NL4-XB	4" No-Hub, Left-Hand Inlet with Flow to Right	<b>6,335.00</b>	-
-NR4-XB	4" No-Hub, Right-Hand Inlet with Flow to Left	<b>6,335.00</b>	-
-ND4-XB	4" No-Hub, Back-to-Back Inlet (Double)	-	<b>12,218.00</b>
SUFFIXES		ADD	
-CC	Corrosion Resistant Cast Iron Coupling (2-1/4" thru 12")	N/C	N/C
-G	Galvanized Cast Iron	<b>1,119.00</b>	<b>2,233.00</b>
-JC	2" Auxiliary Inlet with 1/8" Bend	<b>500.00</b>	-
-VP	Vandal-Proof Trim	<b>192.00</b>	<b>371.00</b>
Ⓢ -50	Flush Valve Supply Support for Water Closet	<b>125.00</b>	<b>245.00</b>



Z1201-NR4-XB (Single)



\*Regularly furnished unless otherwise specified.

For additional product information, please visit [www.zurn.com](http://www.zurn.com) | Patent [zurn.com/patents](http://zurn.com/patents)

Items designated as Best Sellers are most specified and are generally in stock for shipment.

Ⓢ This symbol denotes a product that is engineered to reduce installation and rework time.

For Additional System Tools See "Z1200 Carrier Tools and Accessories" on page 196

# Z1201-N\_4-XH EXTRA-HEAVY-DUTY - 750 LBS [340 KG] – EZCARRY® ADJUSTABLE HORIZONTAL HIGH PERFORMANCE SIPHON JET NO-HUB WATER CLOSET CARRIER SYSTEM



## ENGINEERING SPECIFICATION

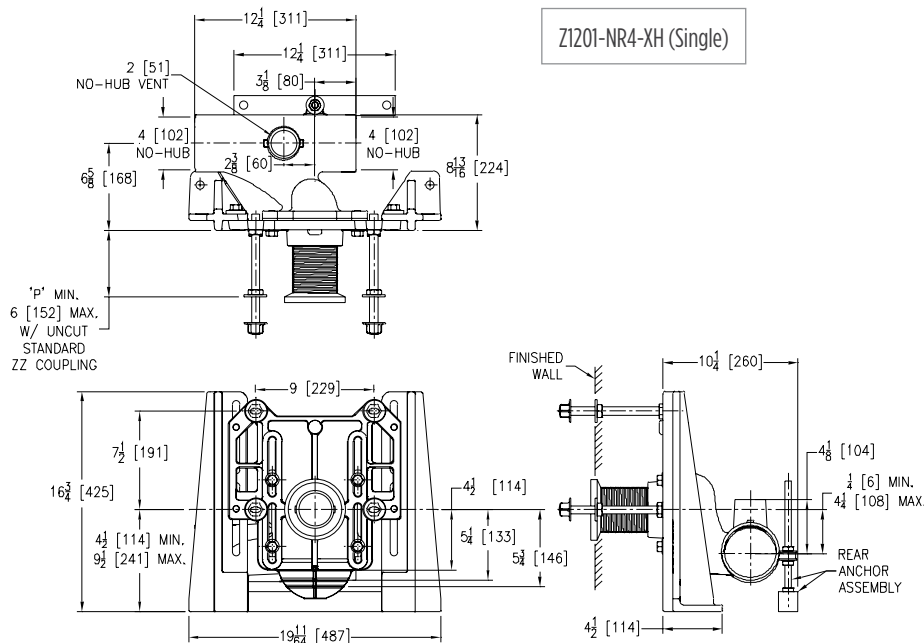
Zurn Z1201-N( )-XH EZCarry® extra heavy-duty horizontal siphon jet water closet carrier system features high performance Dura-Coated cast iron main fitting with hydro-mechanically optimized sweep, 4" no-hub connections, and extended 2" vent. Corrosion resistant adjustable 3" diameter x 6" coupling with integral test cap is designed to increase flow velocity and line carry. Labor saving Neo-Seal bonded gasket optimizes flow performance, while reducing installation steps. Complete system includes an adjustable, gasketed faceplate, floor mounted foot supports, extra heavy-duty 1/2" rear anchor tie down, fixture bolts, trim, and stud protectors. EZCarry® XH system complies with all applicable requirements of ASME A112.6.1M up to a 750 lb maximum static load.

## NOTES

1. Cut 4" adjustable coupling minimum 'P' dimension obtainable = 2". Cut ZQ coupling minimum 'P' dimension obtainable = 5".
2. Feet bolted to floor using minimum 1/2" diameter anchors.
3. Rear anchor assembly required for secure installation.
4. Floor anchors must each be able to withstand a pull-out force of 820 lb.
5. Pull-out forces are calculated values with standard coupling assembly. No safety factor has been applied. See Form #C38 for more information.

Product Number	Approximate Weight lb [kg]
Z1201-NL3-XH	81 [37]
Z1201-NR3-XH	138 [63]
Z1201-NL4-XH	84 [38]
Z1201-NR4-XH	142 [64]

PREFIXES	SINGLE	DOUBLE
<b>Z1201*</b> D.C.C.I. System with 4" Adjustable Coupling	<b>See Fitting Type for Pricing</b>	
<b>ZQ1201</b> D.C.C.I. System with NPT Faceplate, Non-Adjustable Coupling		
FITTING TYPE		
<b>-NL3-XH</b> 3" No-Hub Left-Hand Inlet with Flow to Right	<b>4,477.00</b>	-
<b>-NR3-XH</b> 3" No-Hub Right-Hand Inlet with Flow to Left	<b>4,477.00</b>	-
<b>-ND3-XH</b> 3" No-Hub Back-to-Back Inlet (Double)		<b>- 7,909.00</b>
<b>-NL4-XH</b> 4" No-Hub Left-Hand Inlet with Flow to Right	<b>4,648.00</b>	-
<b>-NR4-XH</b> 4" No-Hub Right-Hand Inlet with Flow to Left	<b>4,648.00</b>	-
<b>-ND4-XH</b> 4" No-Hub Back-to-Back Inlet (Double)		<b>- 8,315.00</b>
SUFFIXES	ADD	
<b>-CC</b> Corrosion Resistant Cast Iron Coupling (2-1/4" thru 12")	N/C	N/C
<b>-CE</b> EZ-SET™ Coupling (6", 12" & 18")	6"	<b>79.00</b>
	12"	<b>79.00</b>
	18"	<b>710.00</b>
<b>-CL</b> Custom Length Standard Coupling with Integral Test Cap (Specify length 6" or 12")	N/C	N/C
<b>-CS</b> 2-1/4" Polymer Coupling with Integral Test Cap	N/C	N/C
<b>-G</b> Galvanized Cast Iron	<b>1,119.00</b>	<b>2,233.00</b>
<b>-JC</b> 2" Auxiliary Inlet with 1/8" Bend	<b>500.00</b>	-
<b>-VP</b> Vandal-Proof Trim	<b>192.00</b>	<b>371.00</b>
⌚ <b>-45</b> Finishing Frame for Siphon Jet System	<b>119.00</b>	<b>230.00</b>
⌚ <b>-50</b> Flush Valve Supply Support for Water Closet	<b>125.00</b>	<b>245.00</b>



Items designated as Best Sellers are most specified and are generally in stock for shipment.  
 ⌚ This symbol denotes a product that is engineered to reduce installation and rework time.  
 For Additional System Tools See "Z1200 Carrier Tools and Accessories" on page 196

\*Regularly furnished unless otherwise specified.  
 For additional product information, please visit [www.zurn.com](http://www.zurn.com) | Patent [zurn.com/patents](http://zurn.com/patents)

**ZE1201-N\_4** ELONGATED BARREL FITTING 38" [965 MM] – EZCARRY® ADJUSTABLE HORIZONTAL HIGH PERFORMANCE SIPHON JET NO-HUB WATER CLOSET CARRIER SYSTEM

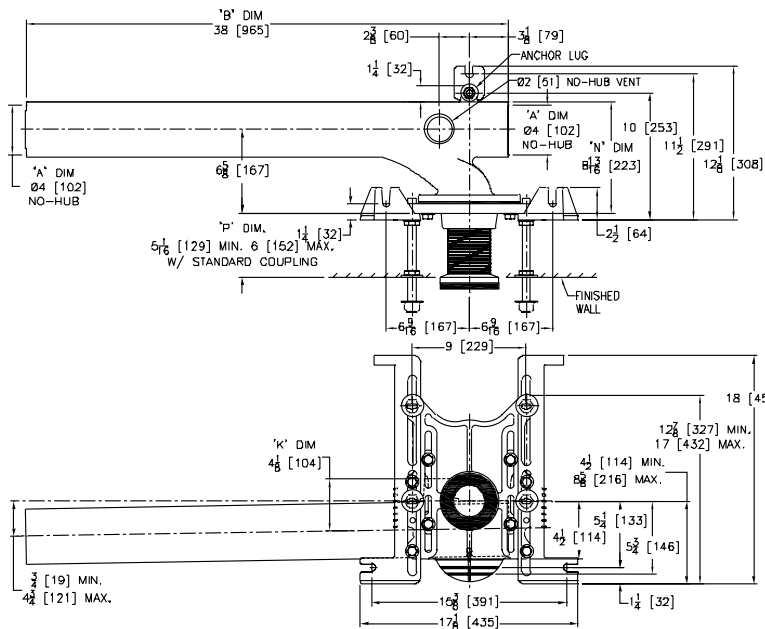


**ENGINEERING SPECIFICATION**

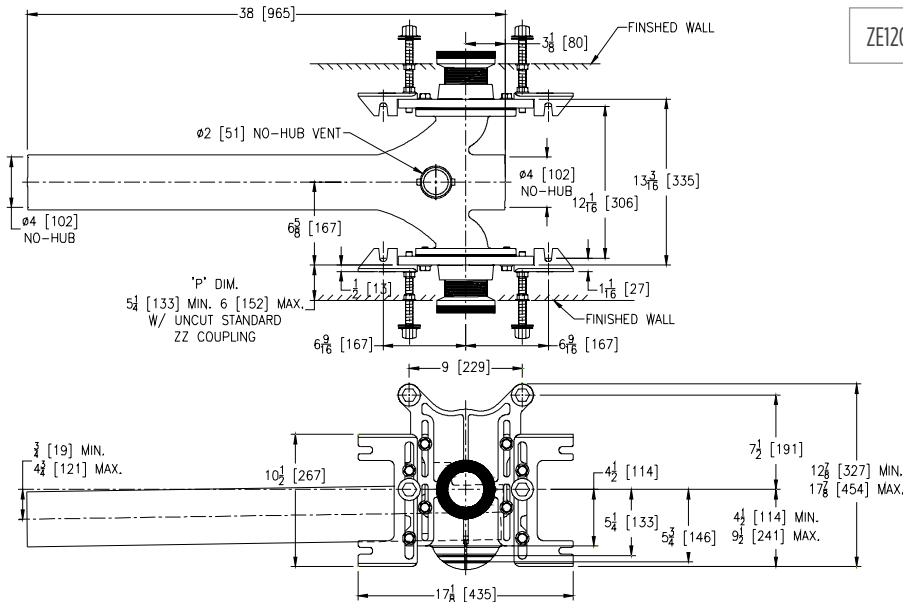
Zurn ZE1201-N( ) EZCarry® horizontal siphon jet water closet carrier system features high performance Dura-Coated cast iron main fitting with hydromechanically optimized sweep, 4" no-hub connections, 38" barrel for stall-to-stall direct connection, and extended 2" vent. Corrosion resistant adjustable 3" diameter x 6" coupling with integral test cap is designed to increase flow velocity and line carry. Labor saving Neo-Seal bonded gasket optimizes flow performance, while reducing installation steps. Complete system includes an adjustable, gasketed faceplate, floor mounted foot supports with top anchoring pre-fab support base, heavy-duty 1/2" rear anchor tie down, fixture bolts, trim, and stud protectors. EZCarry® narrow wall system complies with all applicable requirements of ASME A112.6.1M up to a 500 lb maximum static load.

**NOTES**

1. Cut 4" adjustable coupling minimum 'P' dimension obtainable = 2". EZ-Set™ coupling, minimum 'P' dimension obtainable = 4-1/4" or 2-1/16" for 12" NPT.
2. Feet bolted to floor using minimum 1/2" diameter anchors.
3. Rear anchor foot required for secure installation.



ZE1201-NR4 (Single)



ZE1201-ND4 (Double)

\*Regularly furnished unless otherwise specified.

For additional product information, please visit [www.zurn.com](http://www.zurn.com) | Patent [zurn.com/patents](http://zurn.com/patents)

Items designated as Best Sellers are most specified and are generally in stock for shipment.

⌚ This symbol denotes a product that is engineered to reduce installation and rework time.

For Additional System Tools See "Z1200 Carrier Tools and Accessories" on page 196

⌚ **ZE1201-N\_4** ELONGATED BARREL FITTING 38" [965 MM] – EZCARRY® ADJUSTABLE HORIZONTAL HIGH PERFORMANCE SIPHON JET NO-HUB WATER CLOSET CARRIER SYSTEM

Product Number	Approximate Weight lb [kg]
ZE1201-NL4	97 [44]
ZE1201-NR4	
ZE1201-ND4	



Z1200-CPLGWRNCH-3

PREFIXES	DESCRIPTION	SINGLE	DOUBLE
<b>ZE1201*</b>	D.C.C.I. Elongated Fitting System with 4" Adjustable Coupling	<b>See Fitting Type for Pricing</b>	
<b>ZQE1201</b>	D.C.C.I. System with NPT Faceplate, Non-Adjustable Coupling		
FITTING TYPE			
<b>-NL4</b>	4" No-Hub Left-Hand Inlet with Flow to Right	<b>2,685.00</b>	-
<b>-NR4</b>	4" No-Hub Right-Hand Inlet with Flow to Left	<b>2,685.00</b>	-
<b>-ND4</b>	4" No-Hub Back-to-Back Inlet (Double)	-	<b>4,429.00</b>
SUFFIXES		ADD	
<b>-A</b>	Auxiliary Support Assembly (Required For 'P' Dim. Greater than 18")	<b>1,179.00</b>	<b>2,351.00</b>
<b>-CC</b>	Corrosion Resistant Cast Iron Coupling (2-1/4" thru 12")	<b>N/C</b>	<b>N/C</b>
<b>-CE</b>	EZ-SET™ Coupling (6", 12" & 18")	6"	<b>79.00 157.00</b>
		12"	<b>79.00 157.00</b>
		18"	<b>710.00 1,418.00</b>
<b>-CL</b>	Custom Length Standard Coupling with Integral Test Cap (Specify Length 6" or 12")	<b>N/C</b>	<b>N/C</b>
⌚ <b>-CS</b>	2-1/4" Polymer Coupling with Integral Test Cap	<b>N/C</b>	<b>N/C</b>
<b>-G</b>	Galvanized Cast Iron	<b>1,119.00</b>	<b>2,233.00</b>
<b>-M</b>	Auxiliary Foot Support (Required For 'P' Dim. 7" thru 18")	<b>446.00</b>	<b>885.00</b>
⌚ <b>-RYK17</b>	One Piece Unistrut Pre-Fab Foot Support	<b>N/C</b>	<b>N/C</b>
<b>-VP</b>	Vandal-Proof Trim	<b>192.00</b>	<b>371.00</b>
⌚ <b>-45</b>	Finishing Frame for Siphon Jet System	<b>119.00</b>	<b>230.00</b>
⌚ <b>-50</b>	Flush Valve Supply Support for Water Closet	<b>125.00</b>	<b>245.00</b>
		DEDUCT	
<b>-F</b>	Floor Mounted, Back Outlet Fixture Support	<b>(219.00)</b>	<b>(433.00)</b>
BEST SELLERS		LIST PRICE	
ZE1203-ND4		<b>4,429.00</b>	
ZE1203-ND4-CL=12		<b>4,429.00</b>	
ZE1203-NL4		<b>2,685.00</b>	

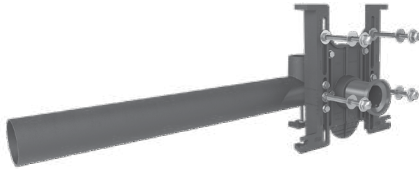
Items designated as Best Sellers are most specified and are generally in stock for shipment.  
 ⌚ This symbol denotes a product that is engineered to reduce installation and rework time.  
 For Additional System Tools See "Z1200 Carrier Tools and Accessories" on page 196

\*Regularly furnished unless otherwise specified.  
 For additional product information, please visit [www.zurn.com](http://www.zurn.com) | Patent [zurn.com/patents](http://zurn.com/patents)

INTRO  
 ROOF DRAINS  
 FLOOR DRAINS  
 T, P, BW VALVES  
 INTERCEPTORS  
**CARRIERS**  
 HYDRANTS  
 CLEANOUTS  
 WHA  
 SS DRAINS  
 SANI-FLOOR  
 TECH INFO



**ZE1201-H ELONGATED BARREL FITTING 41" [1042 MM] – EZCARRY® ADJUSTABLE HORIZONTAL HIGH PERFORMANCE SIPHON JET HUB AND SPIGOT WATER CLOSET CARRIER SYSTEM**

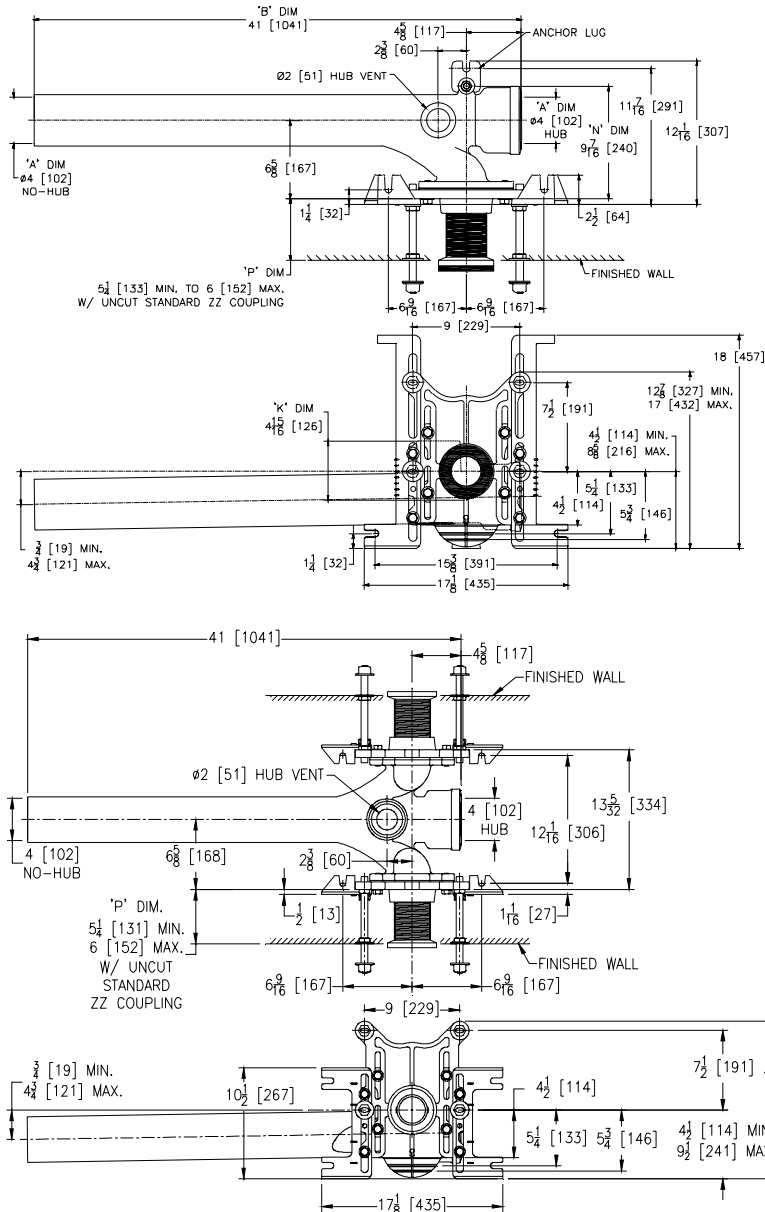


**ENGINEERING SPECIFICATION**

Zurn ZE1201-H( ) EZCarry® horizontal siphon jet water closet carrier system, with high performance Dura-Coated cast iron main fitting with hydromechanically optimized sweeps, 4" hub and spigot connections, 38" barrel for stall to stall direct connection, and extended 2" vent. Corrosion resistant adjustable 3" diameter x 6" coupling with integral test cap, designed to increase flow velocity and line carry, and labor saving Neo-Seal bonded gasket optimize flow performance, while reducing installation steps. Complete system includes an adjustable, gasketed faceplate, floor mounted foot supports with top anchoring pre-fab support base, heavy-duty 1/2" rear anchor tie down, fixture bolts, trim, and stud protectors. EZCarry® narrow wall system complies with all applicable requirements of ASME A112.6.1M up to a 500 lb. maximum static load.

**NOTES**

1. 4" adjustable coupling minimum "P" dimension obtainable = 2". EZ-Set™ coupling, minimum 'P' dimension obtainable = 4-1/4" or 2-1/16" for 12" NPT.
2. Feet bolted to floor using minimum 1/2" diameter anchors.
3. Rear anchor foot required for secure installation.



ZE1201-HR4 (Single)

ZE1201-HD4 (Double)

\*Regularly furnished unless otherwise specified.

For additional product information, please visit [www.zurn.com](http://www.zurn.com) | Patent [zurn.com/patents](http://zurn.com/patents)

Items designated as Best Sellers are most specified and are generally in stock for shipment.

⌚ This symbol denotes a product that is engineered to reduce installation and rework time.

For Additional System Tools See "Z1200 Carrier Tools and Accessories" on page 196

⌚ **ZE1201-H ELONGATED BARREL FITTING 41" [1042 MM] – EZCARRY® ADJUSTABLE HORIZONTAL HIGH PERFORMANCE SIPHON JET HUB AND SPIGOT WATER CLOSET CARRIER SYSTEM**

Product Number	Approximate Weight lb [kg]
ZE1201-HL4	99 [45]
ZE1201-HR4	
ZE1201-HD4	125 [57]



Z1200-CPLGWRNCH-3

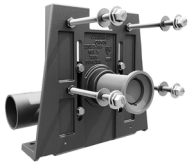
PREFIXES	DESCRIPTION	SINGLE	DOUBLE
<b>ZE1201*</b>	D.C.C.I. System with 4" Adjustable Coupling	<b>See Fitting Type for Pricing</b>	
<b>ZQE1201</b>	D.C.C.I. System with NPT Faceplate, Non-Adjustable Coupling		
FITTING TYPE			
<b>-HL4</b>	4" Caulk, Right-Hand Inlet with Flow to Left	<b>2,999.00</b>	-
<b>-HR4</b>	4" Caulk, Left-Hand Inlet with Flow to Right	<b>2,999.00</b>	-
<b>-HD4</b>	4" Caulk, Back-to-Back Inlet (Double)	-	<b>5,217.00</b>
SUFFIXES		ADD	
<b>-A</b>	Auxiliary Support Assembly (Required For 'P' Dim. Greater than 18")	<b>1,179.00</b>	<b>2,351.00</b>
<b>-CC</b>	Corrosion Resistant Cast Iron Coupling (2-1/4" thru 12")	<b>N/C</b>	<b>N/C</b>
<b>-CE</b>	EZ-SET™ Coupling (6", 12" & 18")	6"	<b>79.00 157.00</b>
		12"	<b>79.00 157.00</b>
		18"	<b>710.00 1,418.00</b>
<b>-CL</b>	Custom Length Standard Coupling with Integral Test Cap (Specify Length 6" or 12")	<b>N/C</b>	<b>N/C</b>
⌚ <b>-CS</b>	2-1/4" Polymer Coupling with Integral Test Cap	<b>N/C</b>	<b>N/C</b>
<b>-G</b>	Galvanized Cast Iron	<b>1,119.00</b>	<b>2,233.00</b>
<b>-M</b>	Auxiliary Foot Support (Required For 'P' Dim. 7" thru 18")	<b>446.00</b>	<b>885.00</b>
⌚ <b>-RYK17</b>	One Piece Unistrut Pre-Fab Foot Support	<b>N/C</b>	<b>N/C</b>
<b>-VP</b>	Vandal-Proof Trim	<b>192.00</b>	<b>371.00</b>
⌚ <b>-45</b>	Finishing Frame for Siphon Jet System	<b>119.00</b>	<b>230.00</b>
⌚ <b>-50</b>	Flush Valve Supply Support for Water Closet	<b>125.00</b>	<b>245.00</b>
		DEDUCT	
<b>-F</b>	Floor Mounted, Back Outlet Fixture Support	<b>(219.00)</b>	<b>(433.00)</b>
BEST SELLERS		LIST PRICE	
ZE1201-HL4		<b>2,999.00</b>	
ZE1201-HR4		<b>2,999.00</b>	
ZE1203-HD4		<b>5,217.00</b>	
ZE1203-HL4		<b>2,999.00</b>	
ZE1203-HR4		<b>2,999.00</b>	

Items designated as Best Sellers are most specified and are generally in stock for shipment.  
 ⌚ This symbol denotes a product that is engineered to reduce installation and rework time.  
 For Additional System Tools See "Z1200 Carrier Tools and Accessories" on page 196

\*Regularly furnished unless otherwise specified.  
 For additional product information, please visit [www.zurn.com](http://www.zurn.com) | Patent [zurn.com/patents](http://zurn.com/patents)

INTRO  
 ROOF DRAINS  
 FLOOR DRAINS  
 I, P, BW VALVES  
 INTERCEPTORS  
 CARRIERS  
 HYDRANTS  
 CLEANOUTS  
 WHA  
 SS DRAINS  
 SANI-FLOOR  
 TECH INFO

**ZF1201-U ONE-PIECE FOOT/FACEPLATE – EZCARRY® HORIZONTAL HIGH PERFORMANCE SIPHON JET NO-HUB WATER CLOSET CARRIER SYSTEM**



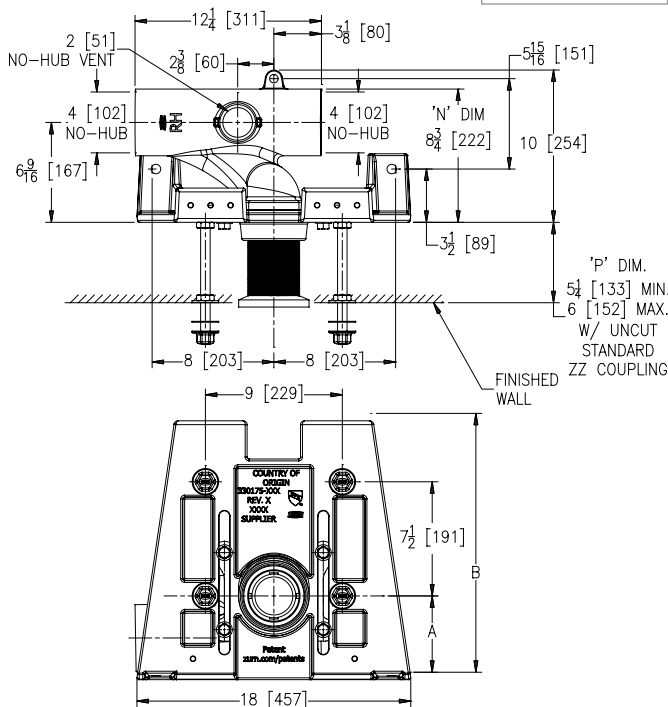
**ENGINEERING SPECIFICATION**

ZF1201-U EZCarry® one-piece combination floor mounted foot/faceplate horizontal siphon jet system supplied for ( ) rough-in height features high performance Dura-Coated cast iron main fitting with hydro-mechanically optimized sweep, 3" [76mm] or 4" [102mm] no-hub connections, and extended 2" [51mm] vent. Faceplate enables prefabrication with strut channel or angle iron. Corrosion resistant adjustable 3" [76mm] diameter x 6" [152mm] coupling with integral test cap is designed to increase flow velocity and line carry. Labor saving Neo-Seal bonded gasket optimizes flow performance while reducing installation steps. Complete system includes one-piece combination foot/faceplate, heavy-duty 1/2" [13mm] rear anchor tie own (optional dependent on installation method, see installation instructions), fixture bolts, trim and stud protectors. EZCarry® one-piece combination floor mounted foot/faceplate system complies with all applicable requirements of ASME A112.6.1M up to a 500 lb maximum static load.

**NOTES**

1. Cut 6 [152] adjustable coupling minimum "P" dimension obtainable = 2 [51]. EZSet™ coupling, minimum 'P' dimension obtainable = 4-1/4 [108] or 1-1/16 [27] for 12 [305] NPT.
2. For floor mounting, faceplate bolted to floor using 1/2 [13] diameter anchors.
3. For unistrut attachment, 3/8 [10] bolts recommended.
4. Rear anchor requirement is dependent on installation type. See installation instructions.

ZF1201-U\_4 (Single)



Product Number	Dimensions in inches [mm]		Approximate Weight lb [kg]
	A	B	
ZF1201-UL3-F55	5-1/2 [140]	17 [432]	68 [31]
ZF1201-UR3-F55			
ZF1201-UL3-F75			
ZF1201-UR3-F75			
ZF1201-UL4-F55	5-1/2 [140]	70 [32]	
ZF1201-UR4-F55			
ZF1201-UL4-F75	7-1/2 [191]		
ZF1201-UR4-F75			

PREFIXES	DESCRIPTION	SINGLE	DOUBLE
ZF1201-U*	D.C.C.I. System with 3" Adjustable Coupling	See Fitting Type for Pricing	
ZQF1201-U	D.C.C.I. System with NPT Faceplate Non-Adjustable Coupling	See Fitting Type for Pricing	

FITTING TYPE - NO HUB			
-UD3-F55	3" Back-to-Back Inlet (Double) with 5-1/2" Non-Adjustable Rough-In Height	- 4,051.00	
-UD3-F75	3" Back-to-Back Inlet (Double) with 7-1/2" Non-Adjustable Rough-In Height	- 4,051.00	
-UD4-F55	4" Back-to-Back Inlet (Double) with 5-1/2" Non-Adjustable Rough-In Height	- 4,051.00	
-UD4-F75	4" Back-to-Back Inlet (Double) with 7-1/2" Non-Adjustable Rough-In Height	- 4,051.00	
-UL3-F55	3" Left-Hand Inlet with Flow to Right with 5-1/2" Non-Adjustable Rough-In Height	2,167.00	-
-UR3-F55	3" Right Hand Inlet with Flow to Left with 5-1/2" Non-Adjustable Rough-In Height	2,167.00	-
-UL3-F75	3" Left-Hand Inlet with Flow to Right with 7-1/2" Non-Adjustable Rough-In Height	2,167.00	-
-UR3-F75	3" Right Hand Inlet with Flow to Left with 7-1/2" Non-Adjustable Rough-In Height	2,167.00	-
-UL4-F55	4" Left-Hand Inlet with Flow to Right with 5-1/2" Non-Adjustable Rough-In Height	2,167.00	-
-UR4-F55	4" Right Hand Inlet with Flow to Left with 5-1/2" Non-Adjustable Rough-In Height	2,167.00	-
-UL4-F75	4" Left-Hand Inlet with Flow to Right with 7-1/2" Non-Adjustable Rough-In Height	2,167.00	-
-UR4-F75	4" Right Hand Inlet with Flow to Left with 7-1/2" Non-Adjustable Rough-In Height	2,167.00	-

FITTING TYPE - HUB & SPIGOT			
-UHL4-F55	4" Left Hand Inlet with Flow to Right with 5-1/2" Non-Adjustable Rough-In Height	2,230.00	
-UHL4-F75	4" Left Hand Inlet with Flow to Right with 7-1/2" Non-Adjustable Rough-In Height	2,230.00	
-UHR4-F55	4" Right Hand Inlet with Flow to Right with 5-1/2" Non-Adjustable Rough-In Height	2,230.00	
-UHR4-F75	4" Right Hand Inlet with Flow to Right with 7-1/2" Non-Adjustable Rough-In Height	2,230.00	
-UHD4-F55	4" Back-to-Back Inlet (Double) with 5-1/2" Non-Adjustable Rough-In Height	- 4,158.00	
-UHD4-F75	4" Back-to-Back Inlet (Double) with 7-1/2" Non-Adjustable Rough-In Height	- 4,158.00	

SUFFIXES		ADD
-A	Auxiliary Support Assembly (Required For 'P' Dim. Greater than 18")	1,179.00 2,351.00
-CC	Corrosion Resistant Cast Iron Coupling (2-1/4" thru 12")	N/C N/C
-CE	EZ-Set™ Coupling (NPSM 6 [152], 12 [305] 6" or custom) (NPT 12 [305] or custom)	79.00 157.00 79.00 157.00
-CL	Custom Length Standard Coupling with Integral Test Cap (Specify Length 4, 8, 10, 12)	N/C N/C
-CS	2-1/4" Polymer Coupling with Integral Test Cap (ZZ Coupling Only)	N/C N/C
-G	Galvanized Cast Iron	1,119.00 2,233.00
-JC	2" Auxiliary Inlet with 1/8" Bend	500.00 -
-M	Auxiliary Foot Support (Required For 'P' Dim. 10" thru 18")	446.00 885.00
-VP	Vandal-Proof Trim	192.00 371.00
-45	Finishing Frame for Siphon Jet System	119.00 230.00

\*Regularly furnished unless otherwise specified.

For additional product information, please visit [www.zurn.com](http://www.zurn.com) | Patent [zurn.com/patents](http://zurn.com/patents)

Items designated as Best Sellers are most specified and are generally in stock for shipment.

Ⓢ This symbol denotes a product that is engineered to reduce installation and rework time.

For Additional System Tools See "Z1200 Carrier Tools and Accessories" on page 196

# ⌚ ZF1201-N EZCARRY® HORIZONTAL SIPHON JET ONE-PIECE CARRIER – NO-HUB SERIES



## ENGINEERING SPECIFICATION

Zurn ZF1201-N( ) EZCarry® one-piece combination floor mounted foot/faceplate horizontal siphon jet water closet carrier system, supplied for ( ) rough-in height, features high performance Dura-Coated cast iron main fitting with hydro-mechanically optimized sweep, 4" no-hub connections, and extended 2" vent. Corrosion resistant adjustable 3" diameter x 6" coupling with integral test cap is designed to increase flow velocity and line carry. Labor saving Neo-Seal bonded gasket optimize flow performance, while reducing installation steps. Complete system includes one-piece combination foot/faceplate, heavy-duty 1/2" rear anchor tie down, fixture bolts, trim and stud protectors. EZCarry® one-piece combination floor mounted foot/faceplate system complies with all applicable requirements of ASME A112.6.1M up to a 500 lb maximum static load.

## NOTES

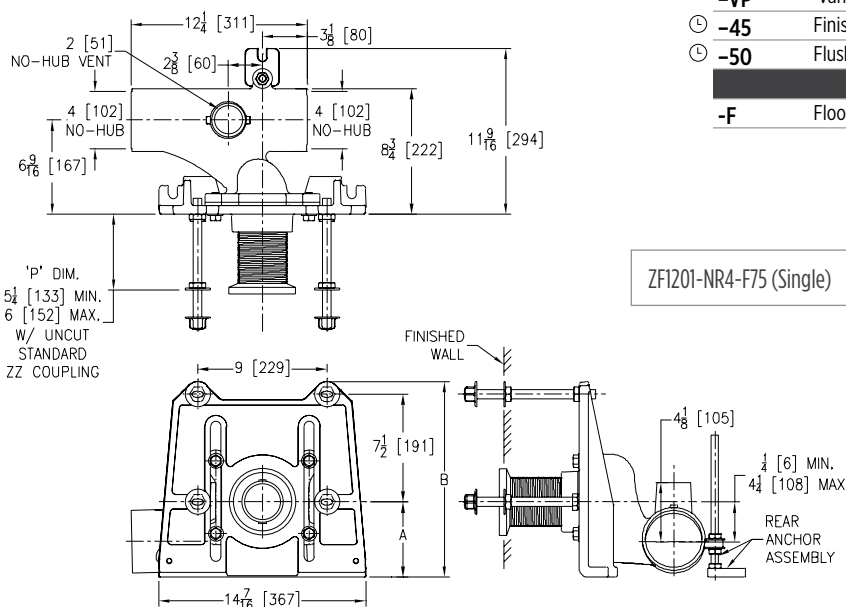
1. Cut 4" adjustable coupling minimum "P" dimension obtainable = 2". EZ-Set™ coupling, minimum 'P' dimension obtainable = 4-1/4" or 2-1/16" for 12" NPT.
2. Faceplate bolted to floor using minimum 1/2" diameter anchors.
3. Rear anchor assembly required for secure installation.

Product Number	Dimensions in inches [mm]		Approximate Weight lb [kg]
	A	B	
ZF1201-NL4-F55	5-1/2 [140]	13-7/8 [352]	72 [33]
ZF1201-NR4-F55			93 [42]
ZF1201-ND4-F55			76 [34]
ZF1201-NL4-F75	7-1/2 [191]	15-7/8 [403]	76 [34]
ZF1201-NR4-F75			100 [45]
ZF1201-ND4-F75			

PREFIXES	DESCRIPTION	SINGLE	DOUBLE
ZF1201*	D.C.C.I. System with 4" Adjustable Coupling	See Fitting Type for Pricing	
ZQF1201	D.C.C.I. System with NPT Faceplate Non-Adjustable Coupling		

FITTING TYPE			
-NL4-F55	4" No-Hub Left-Hand Inlet with Flow to Right with 5-1/2" Non-Adjustable Rough-In Height	2,167.00	-
-NR4-F55	4" No-Hub Right Hand Inlet with Flow to Left with 5-1/2" Non-Adjustable Rough-In Height	2,167.00	-
-ND4-F55	4" No-Hub Back-to-back Double Inlet with 5-1/2" Non-Adjustable Rough-In Height	-	4,051.00
-NL4-F75	4" No-Hub Left Hand Inlet with Flow to Right with 7-1/2" Non-Adjustable Rough-In Height	2,167.00	-
-NR4-F75	4" No-Hub Right Hand Inlet with Flow to Left with 7-1/2" Non-Adjustable Rough-In Height	2,167.00	-
-ND4-F75	4" No-Hub Back-to-back Double Inlet with 7-1/2" Non-Adjustable Rough-In Height	-	4,051.00

SUFFIXES		ADD	
-A	Auxiliary Support Assembly (Required For 'P' Dim. Greater than 18")	1,179.00	2,351.00
-CC	Corrosion Resistant Cast Iron Coupling (2-1/4" thru 12")	N/C	N/C
-CE	EZ-SET™ Coupling (6", 12" & 18")	6" 79.00 12" 79.00 18" 710.00	157.00 157.00 1,418.00
-CL	Custom Length Standard Coupling with Integral Test Cap (Specify Length 6" or 12")	N/C	N/C
⌚ -CS	2-1/4" Polymer Coupling with Integral Test Cap	N/C	N/C
-G	Galvanized Cast Iron	1,119.00	2,233.00
-JC	2" Auxiliary Inlet with 1/8" Bend	500.00	-
-M	Auxiliary Foot Support (Required For 'P' Dim. 10" thru 18")	446.00	885.00
-VP	Vandal-Proof Trim	192.00	371.00
⌚ -45	Finishing Frame for Siphon Jet System	119.00	230.00
⌚ -50	Flush Valve Supply Support for Water Closet	125.00	245.00
DEDUCT			
-F	Floor Mounted, Back Outlet Fixture Support	(219.00)	(433.00)



ZF1201-NR4-F75 (Single)

Items designated as Best Sellers are most specified and are generally in stock for shipment.  
 ⌚ This symbol denotes a product that is engineered to reduce installation and rework time.  
 For Additional System Tools See "Z1200 Carrier Tools and Accessories" on page 196

\*Regularly furnished unless otherwise specified.  
 For additional product information, please visit [www.zurn.com](http://www.zurn.com) | [Patent.zurn.com/patents](http://Patent.zurn.com/patents)

Ⓢ **ZN1201-N** EZCARRY® ADJUSTABLE HORIZONTAL SIPHON JET – NO-HUB NARROW WALL SYSTEM (9-3/8" DEPTH FRONT TO BACK)



**ENGINEERING SPECIFICATION**

Zurn ZN1201-N( )4 EZCarry® narrow wall horizontal siphon jet water closet carrier system features high performance Dura-Coated cast iron main fitting with hydro-mechanically optimized sweep, 4" no-hub connections, and extended 2" vent. Corrosion resistant adjustable 3" diameter x 6" coupling with integral test cap is designed to increase flow velocity and line carry. Labor saving Neo-Seal bonded gasket optimize flow performance while reducing installation steps. Complete system includes an adjustable, gasketed faceplate, floor mounted foot supports, fixture bolts, trim, and stud protectors. EZCarry® narrow wall system complies with all applicable requirements of ASME A112.6.1M up to a 500 lb maximum static load.

**NOTES**

1. Cut 4" adjustable coupling minimum 'P' dimension obtainable = 1-1/4".
2. Carrier floor anchors must each be able to withstand a pull-out force of 1741 lb.
3. Pull-out forces are calculated values with standard coupling assembly. No safety factor has been applied. See Form #C38 for more information.

Product Number	Approximate Weight lb [kg]
ZN1201-NL4	75 [34]
ZN1201-NR4	75 [34]
ZN1201-ND4	140 [64]

PREFIXES	DESCRIPTION	SINGLE	DOUBLE
<b>ZN1201*</b>	D.C.C.I. System with 4" Adjustable Coupling	<b>See Fitting Type for Pricing</b>	

**FITTING TYPE**

<b>-NL4</b>	4" No-Hub Left-Hand Inlet with Flow to Right for Narrow Wall	<b>2,593.00</b>	-
<b>-NR4</b>	4" No-Hub Right-Hand Inlet with Flow to Left for Narrow Wall	<b>2,593.00</b>	-
<b>-ND4</b>	4" No-Hub Back-to-Back Inlet (Double for Narrow Wall)	-	<b>4,671.00</b>

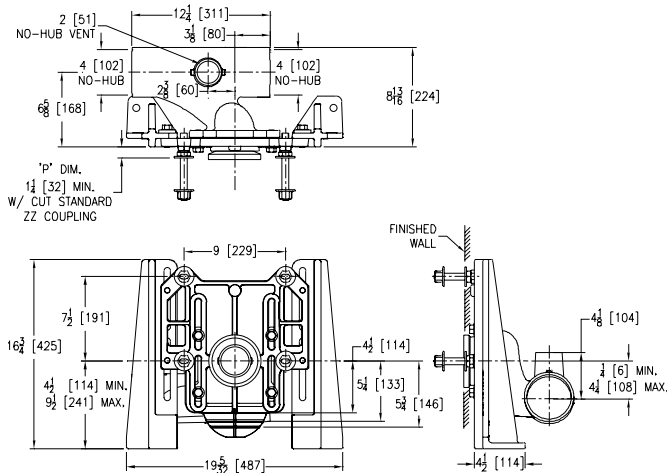
**SUFFIXES**

SUFFIXES	DESCRIPTION	SINGLE	ADD
<b>-CC</b>	Corrosion Resistant Cast Iron Coupling (2-1/4" thru 12")	N/C	N/C
Ⓢ <b>-CS</b>	2-1/4" Polymer Coupling with Integral Test Cap	N/C	N/C
<b>-G</b>	Galvanized Cast Iron	<b>1,119.00</b>	<b>2,233.00</b>
<b>-JC</b>	2" Auxiliary Inlet with 1/8" Bend * Not Available with ND4 Fitting Type	<b>500.00</b>	-
<b>-VP</b>	Vandal-Proof Trim	<b>192.00</b>	<b>371.00</b>
Ⓢ <b>-50</b>	Flush Valve Supply Support for Water Closet	<b>125.00</b>	<b>245.00</b>

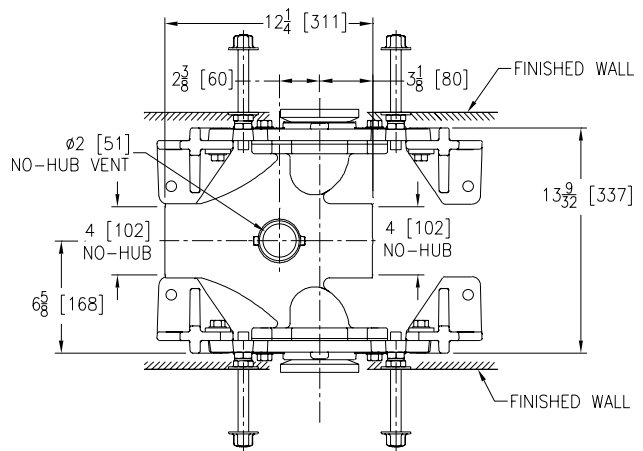
**BEST SELLERS**

	LIST PRICE
ZN1201-ND4	<b>4,671.00</b>
ZN1201-NL4	<b>2,593.00</b>
ZN1201-NR4	<b>2,593.00</b>

ZN1201-NR4 (Single)



ZN1201-ND4 (Double)



\*Regularly furnished unless otherwise specified.

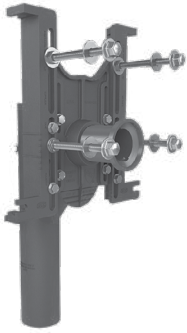
For additional product information, please visit [www.zurn.com](http://www.zurn.com) | Patent [zurn.com/patents](http://zurn.com/patents)

Items designated as Best Sellers are most specified and are generally in stock for shipment.

Ⓢ This symbol denotes a product that is engineered to reduce installation and rework time.

For Additional System Tools See "Z1200 Carrier Tools and Accessories" on page 196

# 🕒 Z1202-N EZCARRY® ADJUSTABLE VERTICAL HIGH PERFORMANCE SIPHON JET – NO-HUB SERIES

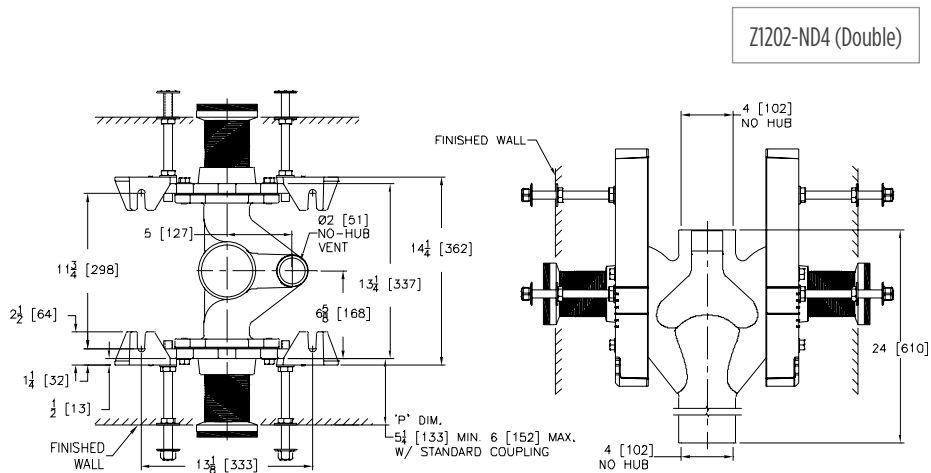
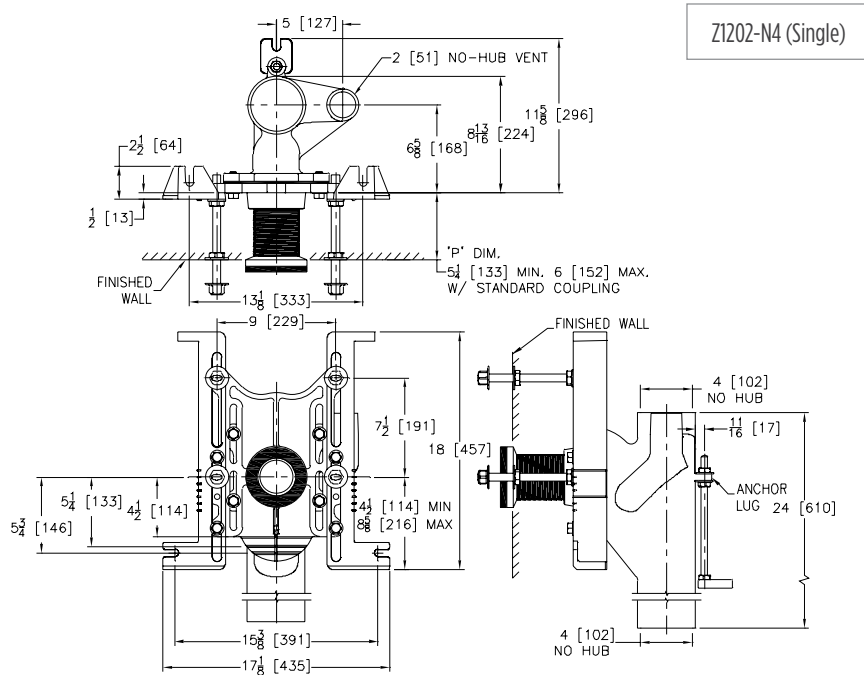


## ENGINEERING SPECIFICATION

Zurn Z1202-( )N EZCARRY® vertical siphon jet water closet carrier system features high performance waterway and 4" no-hub connections. System includes Dura-Coated cast iron right-hand, left-hand, or double main fitting with hydro-mechanically optimized sweep and extended 2" vent, adjustable gasketed faceplate, floor mounted pre-fab slotted foot supports with top anchoring pre-fab support base, heavy-duty 1/2" rear anchor tie down, fixture bolts, trim, stud protectors, bonded Neo-Seal gasket, and corrosion resistant adjustable 3" diameter x 6" coupling with integral test cap designed to increase flow velocity and line carry. EZCARRY system complies with the requirements of ASME A112.6.1M, up to a 500 lb static load rating.

## NOTES

1. Cut 4" adjustable coupling minimum "P" dimension obtainable = 2". EZ-Set™ coupling, minimum "P" dimension obtainable = 4-1/4" or 2-1/16" for 12" NPT.
2. Feet bolted to floor using minimum 1/2" diameter anchors and back slots on carrier feet.
3. Rear anchor foot required for secure installation.
4. 2" no-hub vent connection regularly furnished on right-hand side. Left-hand available when specified (Suffix -VL).
5. Auxiliary inlet available right (-JR) or left (-JL) or both sides (-JJ) when specified.



Items designated as Best Sellers are most specified and are generally in stock for shipment.

🕒 This symbol denotes a product that is engineered to reduce installation and rework time.

For Additional System Tools See "Z1200 Carrier Tools and Accessories" on page 196

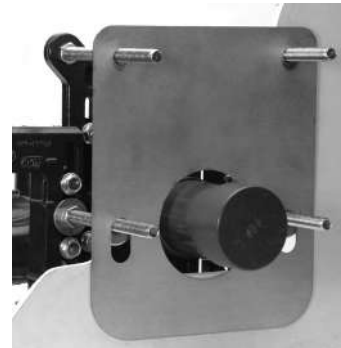
\*Regularly furnished unless otherwise specified.

For additional product information, please visit [www.zurn.com](http://www.zurn.com) | [Patent.zurn.com/patents](http://Patent.zurn.com/patents)

# 🕒 Z1202-N EZCARRY® ADJUSTABLE VERTICAL HIGH PERFORMANCE SIPHON JET – NO-HUB SERIES

Product Number	Dimensions in inches [mm]								Approx. Wt. lb [kg]	
	A	B	D	E	H	J	K	N		
Z1202-N4	4 [102]	-	5 [127]	6-9/16 [167]	-	24 [610]	-	8-3/4	73 [33]	
Z1202-ND4		-			-		-	13-1/8	119 [54]	
Z1202-1NL4		-			-		-	8-3/4	74 [34]	
Z1202-1NR4		4 [102]	4 [102]		-	7-9/16 [192]	15-1/2 [394]	-	13-1/8	120 [54]
Z1202-1ND4		-			-	-		8-3/4	78 [35]	
Z1202-2N4		-			-	-		13-1/18	120 [54]	
Z1202-2ND4		-			-	-		-	-	-

PREFIXES	DESCRIPTION	SINGLE	DOUBLE
<b>Z1202*</b>	D.C.C.I. System with 4" Adjustable Coupling	<b>See Fitting Type for Pricing</b>	
<b>ZQ1202</b>	D.C.C.I. System with NPT Faceplate Non-Adjustable Coupling	<b>See Fitting Type for Pricing</b>	
FITTING TYPE			
<b>-N4</b>	4" No-Hub Stack, Single Inlet, 2" Right-Hand Vent	<b>2,453.00</b>	-
<b>-ND4</b>	4" No-Hub Stack, Double Inlets, 2" Vent	-	<b>4,338.00</b>
<b>-1NL4</b>	4" No-Hub Stack, Single Inlet, 4" Left-Hand Side Inlet, 2" Left-Hand Vent	<b>2,877.00</b>	-
<b>-1NR4</b>	4" No-Hub Stack, Single Inlet, 4" Right-Hand Side Inlet, 2" Right-Hand Vent	<b>2,877.00</b>	-
<b>-1ND4</b>	4" No-Hub Stack, Double Inlets, 4" Side Inlet, 2" Vent	-	<b>4,743.00</b>
<b>-2N4</b>	4" No-Hub Stack, Single Inlet, Two 4" Side Inlets, 2" Right-Hand Vent	<b>3,293.00</b>	-
<b>-2ND4</b>	4" No-Hub Stack, Double Inlets, Two 4" Side Inlets, 2" Vent	-	<b>5,164.00</b>
SUFFIXES		ADD	
<b>-A</b>	Auxiliary Support Assembly (Required For 'P' Dim. Greater than 18")	<b>1,179.00</b>	<b>2,351.00</b>
<b>-CC</b>	Corrosion Resistant Cast Iron Coupling (2-1/4" thru 12")	<b>N/C</b>	<b>N/C</b>
<b>-CE</b>	EZ-SET™ Coupling (6", 12" & 18")	6"	<b>79.00</b>
		12"	<b>79.00</b>
		18"	<b>710.00</b>
<b>-CL</b>	Custom Length Standard Coupling with Integral Test Cap (Specify Length 6" or 12")	<b>N/C</b>	<b>N/C</b>
🕒 <b>-CS</b>	2-1/4" Polymer Coupling with Integral Test Cap	<b>N/C</b>	<b>N/C</b>
<b>-G</b>	Galvanized Cast Iron	<b>1,119.00</b>	<b>2,233.00</b>
<b>-JJ</b>	Two 2" Auxiliary Inlets (N4, ND4 Only)	<b>991.00</b>	<b>991.00</b>
<b>-JL</b>	2" Left-Hand Auxiliary Inlet (N4, ND4 Only)	<b>500.00</b>	<b>500.00</b>
<b>-JR</b>	2" Right-Hand Auxiliary Inlet (N4, ND4 Only)	<b>500.00</b>	<b>500.00</b>
<b>-M</b>	Auxiliary Foot Support (Required For 'P' Dim. 7" thru 18")	<b>446.00</b>	<b>885.00</b>
🕒 <b>-RYK17</b>	One Piece Unistrut Pre-Fab Foot Support	<b>N/C</b>	<b>N/C</b>
<b>-VL</b>	Left-Hand Vent Connection (N4, 1NR4, 2N4 Only)	<b>N/C</b>	<b>N/C</b>
<b>-VP</b>	Vandal-Proof Trim	<b>192.00</b>	<b>371.00</b>
🕒 <b>-45</b>	Finishing Frame for Siphon Jet System	<b>119.00</b>	<b>230.00</b>
🕒 <b>-50</b>	Flush Valve Supply Support for Water Closet	<b>125.00</b>	<b>245.00</b>
		DEDUCT	
<b>-F</b>	Floor Mounted, Back Outlet Fixture Support	<b>(219.00)</b>	<b>(433.00)</b>
BEST SELLERS		LIST PRICE	
Z1202-1NL4		<b>2,877.00</b>	
Z1202-1NR4		<b>2,877.00</b>	
Z1202-1NR4-CL=12		<b>2,877.00</b>	
Z1202-2N4		<b>3,293.00</b>	
Z1202-2N4-CL=12		<b>3,293.00</b>	
Z1202-2ND4		<b>5,164.00</b>	
Z1202-N4		<b>2,453.00</b>	
Z1202-N4-CL=12		<b>2,453.00</b>	
Z1202-ND4		<b>4,338.00</b>	



🕒 Z1200-EZCUTGUIDE†

\*Image showing old style carrier



Z1200-CPLGWRNCH-3

\*Regularly furnished unless otherwise specified.

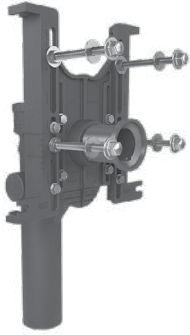
For additional product information, please visit [www.zurn.com](http://www.zurn.com) | Patent [zurn.com/patents](http://zurn.com/patents)

Items designated as Best Sellers are most specified and are generally in stock for shipment.

🕒 This symbol denotes a product that is engineered to reduce installation and rework time.

For Additional System Tools See "Z1200 Carrier Tools and Accessories" on page 196

# 🕒 Z1202-H EZCARRY® ADJUSTABLE VERTICAL HIGH PERFORMANCE SIPHON JET – HUB AND SPIGOT SERIES

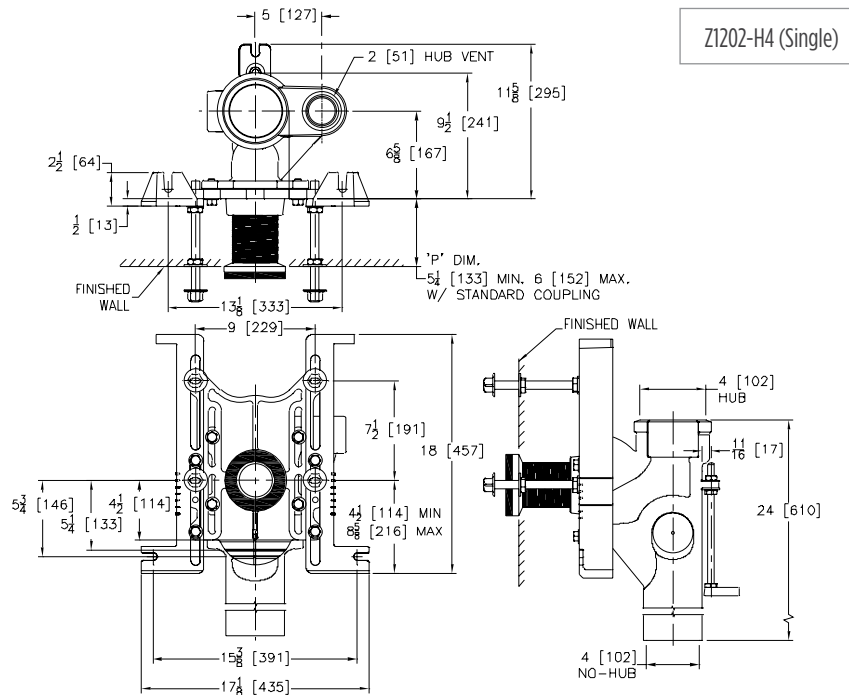


## ENGINEERING SPECIFICATION

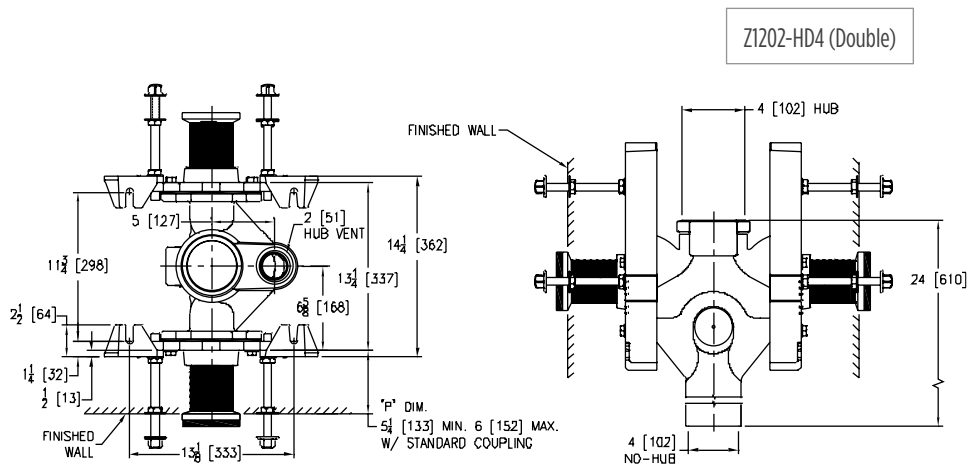
Zurn Z1202-( )H EZCARRY® vertical siphon jet water closet carrier system features a high performance waterway and 4" hub and spigot connections. System includes Dura-Coated cast iron right-hand, left-hand, or double main fitting with hydro-mechanically optimized sweep and extended 2" vent, adjustable gasketed faceplate, floor mounted pre-fab slotted foot supports with top anchoring pre-fab support base, heavy-duty 1/2" rear anchor tie down, fixture bolts, trim, stud protectors, bonded Neo-Seal gasket, and corrosion resistant adjustable 3" diameter x 6" coupling with integral test cap designed to increase flow velocity and line carry. EZCARRY system complies with the requirements of ASME A112.6.1M, up to a 500 lb static load rating.

## NOTES

1. Cut 4" adjustable coupling minimum "P" dimension obtainable = 2". EZ-Set™ coupling, minimum "P" dimension obtainable = 4-1/4" or 2-1/16" for 12" NPT.
2. Feet bolted to floor using minimum 1/2" diameter anchors and back slots on carrier feet.
3. Rear anchor foot required for secure installation.
4. 2" hub and spigot vent connection regularly furnished on right-hand side. Left-hand available when specified (Suffix -VL).
5. Auxiliary inlet available right (-JR) or left (-JL) or both sides (-JJ) when specified.



Z1202-H4 (Single)



Z1202-HD4 (Double)

Items designated as Best Sellers are most specified and are generally in stock for shipment.

🕒 This symbol denotes a product that is engineered to reduce installation and rework time.

For Additional System Tools See "Z1200 Carrier Tools and Accessories" on page 196

\*Regularly furnished unless otherwise specified.

For additional product information, please visit [www.zurn.com](http://www.zurn.com) | [Patent.zurn.com/patents](http://Patent.zurn.com/patents)

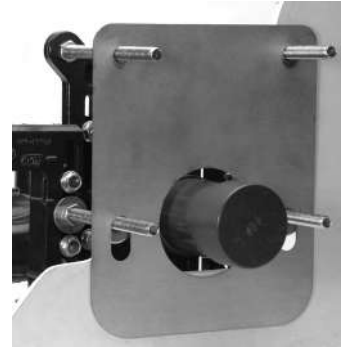
INTRO  
ROOF DRAINS  
FLOOR DRAINS  
T, P, BW VALVES  
INTERCEPTORS  
CARRIERS  
HYDRANTS  
CLEANOUTS  
WHA  
SS DRAINS  
SANI-FLOOR  
TECH INFO



# Ⓢ Z1202-H EZCARRY® ADJUSTABLE VERTICAL HIGH PERFORMANCE SIPHON JET – HUB AND SPIGOT SERIES

Product Number	Dimensions in inches [mm]								Approx. Wt. lb [kg]	
	A	B	D	E	H	J	K	N		
Z1202-H4	4 [102]	-		6-9/16 [167]	-	24 [610]	-	9-7/16 [240]	79 [36]	
Z1202-HD4		-		6/11/16 [170]	-		-	13-3/8 [340]	125 [57]	
Z1202-1HL4				6-9/16[167]					9-7/16 [240]	88 [40]
Z1202-1HR4		4 [102]			6-11/16 [170]		7-9/16 [192]		13-3/8 [340]	132 [60]
Z1202-1HD4					6-9/16 [167]				9-7/16 [240]	104 [47]
Z1202-2H4					6-11/16 [170]				13-3/8 [340]	147 [67]
Z1202-2HD4										

PREFIXES	DESCRIPTION	SINGLE	DOUBLE
<b>Z1202*</b>	D.C.C.I. System with 4" Adjustable Coupling	<b>See Fitting Type for Pricing</b>	
<b>ZQ1202</b>	D.C.C.I. System with NPT Faceplate Non-Adjustable Coupling		
FITTING TYPE			
<b>-H4</b>	4" Hub and Spigot Stack, Single Inlet, 2" Right-Hand Vent	<b>2,638.00</b>	-
<b>-HD4</b>	4" Hub and Spigot Stack, Double Inlets, 2" Vent	-	<b>4,559.00</b>
<b>-1HD4</b>	4" Hub and Spigot Stack, Double Inlets, 4" Side Inlet, 2" Vent	-	<b>4,983.00</b>
<b>-1HL4</b>	4" Hub and Spigot Stack, Single Inlet, 4" Left-Hand Side Inlet, 2" Left-Hand Vent	<b>3,062.00</b>	-
<b>-1HR4</b>	4" Hub and Spigot Stack, Single Inlets, 4" Right-Hand Side Inlet, 2" Right-Hand Vent	<b>3,062.00</b>	-
<b>-2H4</b>	4" Hub and Spigot Stack, Single Inlet, Two 4" Side Inlets, 2" Right-Hand Vent	<b>3,492.00</b>	-
<b>-2HD4</b>	4" Hub and Spigot Stack, Double Inlets, Two 4" Side Inlets, 2" Vent	-	<b>5,414.00</b>
SUFFIXES		ADD	
<b>-A</b>	Auxiliary Support Assembly (Required For 'P' Dim. Greater than 18")	<b>1,179.00</b>	<b>2,351.00</b>
<b>-CC</b>	Corrosion Resistant Cast Iron Coupling (2-1/4" thru 12")	<b>N/C</b>	<b>N/C</b>
<b>-CE</b>	EZ-SET™ Coupling (6", 12" & 18")	6"	<b>79.00</b>
		12"	<b>79.00</b>
		18"	<b>710.00</b>
<b>-CL</b>	Custom Length Standard Coupling with Integral Test Cap (Specify Length 6" or 12")	<b>N/C</b>	<b>N/C</b>
Ⓢ <b>-CS</b>	2-1/4" Polymer Coupling with Integral Test Cap	<b>N/C</b>	<b>N/C</b>
<b>-G</b>	Galvanized Cast Iron	<b>1,119.00</b>	<b>2,233.00</b>
<b>-JJ</b>	Two 2" Auxiliary Inlets (H4, HD4 Only)	<b>991.00</b>	<b>991.00</b>
<b>-JL</b>	2" Left-Hand Auxiliary Inlet (H4, HD4, 1HR4 Only)	<b>500.00</b>	<b>500.00</b>
<b>-JR</b>	2" Right-Hand Auxiliary Inlet (H4, HD4, 1HR4 Only)	<b>500.00</b>	<b>500.00</b>
<b>-M</b>	Auxiliary Foot Support (Required For 'P' Dim. 7" thru 18")	<b>446.00</b>	<b>885.00</b>
Ⓢ <b>-RYK17</b>	One Piece Unistrut Pre-Fab Foot Support	<b>N/C</b>	<b>N/C</b>
<b>-VL</b>	Left-Hand Vent Connection (H4, 1HR4, 2H4 Only)	<b>N/C</b>	<b>N/C</b>
<b>-VP</b>	Vandal-Proof Trim	<b>192.00</b>	<b>371.00</b>
Ⓢ <b>-45</b>	Finishing Frame for Siphon Jet System	<b>119.00</b>	<b>230.00</b>
Ⓢ <b>-50</b>	Flush Valve Supply Support for Water Closet	<b>125.00</b>	<b>245.00</b>
		DEDUCT	
<b>-F</b>	Floor Mounted, Back Outlet Fixture Support	<b>(219.00)</b>	<b>(433.00)</b>



Ⓢ Z1200-EZCUTGUIDE†

\*Image showing old style carrier



Z1200-CPLGWRNCH-3

\*Regularly furnished unless otherwise specified.

For additional product information, please visit [www.zurn.com](http://www.zurn.com) | Patent [zurn.com/patents](http://zurn.com/patents)  
216

Items designated as Best Sellers are most specified and are generally in stock for shipment.

Ⓢ This symbol denotes a product that is engineered to reduce installation and rework time.  
For Additional System Tools See "Z1200 Carrier Tools and Accessories" on page 196

# Z1202-N-XB EZCARRY® BARIATRIC CARRIER – 1000 LB ADJUSTABLE VERTICAL SIPHON JET – NO-HUB SERIES



## ENGINEERING SPECIFICATION

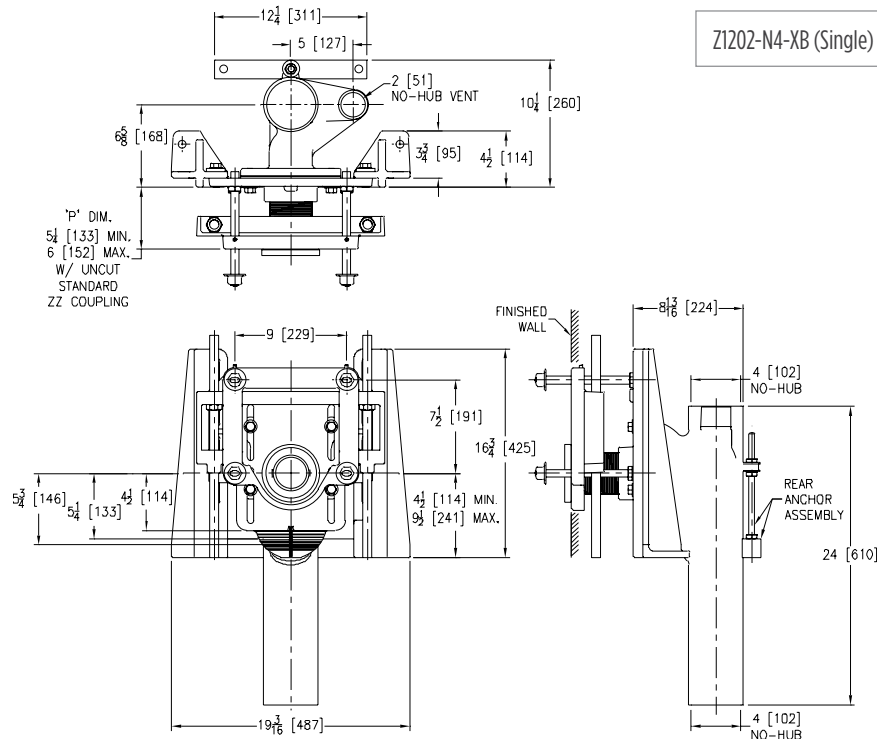
Zurn Z1202-N(-)XB EZCARRY® bariatric vertical siphon jet water closet carrier system features high performance Dura-Coated cast iron main fitting with hydromechanically optimized sweep, 4" no-hub connections, and extended 2" vent. Corrosion resistant adjustable cast iron coupling is designed to increase flow velocity and line carry. Labor saving Neo-Seal bonded gasket optimizes flow performance, while reducing installation steps. Complete system includes an adjustable, gasketed faceplate, floor mounted foot supports, rigid support frame assembly, extra heavy-duty 1/2" rear anchor tie down, fixture bolts, trim, and stud protectors. EZCARRY® XB system complies with all applicable requirements of ASME A112.6.1M up to a 1000 lb maximum static load.

## NOTES

1. Cut 4" adjustable coupling minimum 'P' dimension obtainable = 3".
2. Feet bolted to floor using minimum 1/2" diameter anchors.
3. Rear anchor foot required for secure installation.
4. Floor anchors must each be able to withstand a pull-out force of 748 lb.
5. Pull-out forces are calculated values with standard coupling assembly. No safety factor has been applied. See Form #C38 for more information.
6. 2" no-hub vent connection regularly furnished on right-hand side. Left hand available when specified (Suffix -VL).
7. Auxiliary inlet available right (-JR) or left (-JL) or both sides (-JJ) when specified.

Product Number	Approximate Weight lb [kg]
Z1202-N4-XB	115 [52]
Z1202-ND4-XB	188 [85]

PREFIXES	DESCRIPTION	SINGLE	DOUBLE
<b>Z1202*</b>	D.C.C.I. System with 4" Adjustable Coupling	<b>See Fitting Type for Pricing</b>	
FITTING TYPE			
<b>-N4-XB</b>	4" No-Hub Stack, Single Inlet, 2" Right-Hand Vent	<b>6,967.00</b>	-
<b>-ND4-XB</b>	4" No-Hub Stack, Back-to-Back Inlet (Double), 2" Right-Hand Vent	<b>- 13,444.00</b>	
SUFFIXES		ADD	
<b>-CC</b>	Corrosion Resistant Cast Iron Coupling (2-1/4" thru 12")	<b>N/C</b>	<b>N/C</b>
<b>-G</b>	Galvanized Cast Iron	<b>1,119.00</b>	<b>2,233.00</b>
<b>-JJ</b>	Two 2" Auxiliary Inlets	<b>991.00</b>	<b>991.00</b>
<b>-JL</b>	2" Left-Hand Auxiliary Inlet	<b>500.00</b>	<b>500.00</b>
<b>-JR</b>	2" Right-Hand Auxiliary Inlet	<b>500.00</b>	<b>500.00</b>
<b>-VL</b>	Left-Hand Vent Connection	<b>N/C</b>	<b>N/C</b>
<b>-VP</b>	Vandal-Proof Trim	<b>192.00</b>	<b>371.00</b>
⌚ <b>-50</b>	Flush Valve Supply Support for Water Closet	<b>125.00</b>	<b>245.00</b>



Z1202-N4-XB (Single)

Items designated as Best Sellers are most specified and are generally in stock for shipment.  
 ⌚ This symbol denotes a product that is engineered to reduce installation and rework time.  
 For Additional System Tools See "Z1200 Carrier Tools and Accessories" on page 196

\*Regularly furnished unless otherwise specified.  
 For additional product information, please visit [www.zurn.com](http://www.zurn.com) | [Patent.zurn.com/patents](http://Patent.zurn.com/patents)

# Z1202-N-XH EZCARRY® EXTRA HEAVY-DUTY 750 LB ADJUSTABLE VERTICAL SIPHON JET – NO-HUB SERIES



## ENGINEERING SPECIFICATION

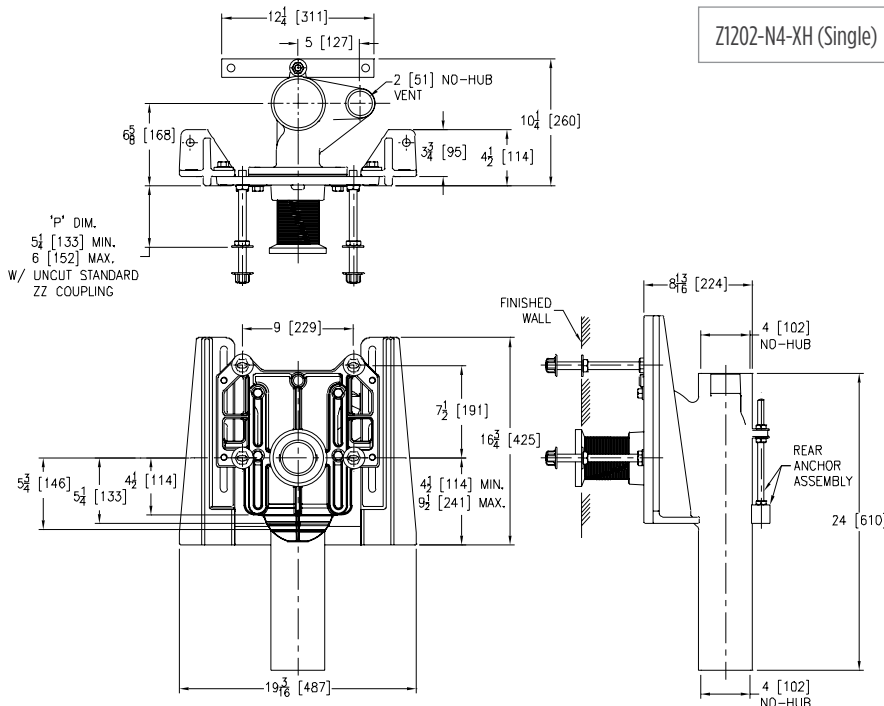
Zurn Z1202-N(-)XH EZCarry® extra heavy-duty vertical siphon jet water closet carrier system features high performance Dura-Coated cast iron main fitting with hydro-mechanically optimized sweep, 4" no-hub connections, and extended 2" vent. Corrosion resistant adjustable 3" diameter x 6" coupling with integral test cap is designed to increase flow velocity and line carry. Labor saving Neo-Seal bonded gasket optimizes flow performance, while reducing installation steps. Complete system includes an adjustable, gasketed faceplate, floor mounted foot supports, extra heavy-duty 1/2" rear anchor tie down, fixture bolts, trim, and stud protectors. EZCarry® XH system complies with all applicable requirements of ASME A112.6.1M up to a 750 lb maximum static load.

## NOTES

- Cut 4" adjustable coupling minimum 'P' dimension obtainable = 2". EZ-Set™ coupling, minimum 'P' dimension obtainable = 4-1/4" or 2-1/16" for 12" NPT.
- Feet bolted to floor using minimum 1/2" diameter anchors.
- Rear anchor assembly required for secure installation.
- Floor anchors must each be able to withstand a pull-out force of 820 lb.
- Pull-out forces are calculated values with standard coupling assembly. No safety factor has been applied. See Form #C38 for more information.
- 2" no-hub vent connection regularly furnished on right-hand side. Left hand available when specified (Suffix -VL).
- Auxiliary inlet available right (-JR) or left (-JL) or both sides (-JJ) when specified.

Product Number	Approximate Weight lb [kg]
Z1202-N4-XH	99 [45]
Z1202-ND4-XH	156 [71]

PREFIXES	DESCRIPTION	SINGLE	DOUBLE
Z1202*	D.C.I. System with 4" Adjustable Coupling	<b>See Fitting Type for Pricing</b>	
ZQ1202	D.C.I. System with NPT Faceplate Non-Adjustable Coupling		
FITTING TYPE			
-N4-XH	4" No-Hub Stack, Single Inlet, 2" Right-Hand Vent	<b>5,063.00</b>	-
-ND4-XH	4" No-Hub Stack, Back-to-Back Inlet (Double), 2" Right-Hand Vent	-	<b>9,772.00</b>
SUFFIXES		ADD	
-CC	Corrosion Resistant Cast Iron Coupling (2-1/4" thru 12")	N/C	N/C
-CE	EZ-SET™ Coupling (6", 12" & 18")	6" <b>79.00</b>	<b>157.00</b>
		12" <b>79.00</b>	<b>157.00</b>
		18" <b>710.00</b>	<b>1,418.00</b>
-CL	Custom Length Standard Coupling with Integral Test Cap (Specify Length 6" or 12")	N/C	N/C
Ⓢ -CS	2-1/4" Polymer Coupling with Integral Test Cap	N/C	N/C
-G	Galvanized Cast Iron	<b>1,119.00</b>	<b>2,233.00</b>
-JJ	Two 2" Auxiliary Inlets	<b>991.00</b>	<b>991.00</b>
-JL	2" Left-Hand Auxiliary Inlet	<b>500.00</b>	<b>500.00</b>
-JR	2" Right-Hand Auxiliary Inlet	<b>500.00</b>	<b>500.00</b>
-VL	Left-Hand Vent Connection (H4, 1HR4, 2H4 Only)	N/C	N/C
-VP	Vandal-Proof Trim	<b>192.00</b>	<b>371.00</b>
Ⓢ -50	Flush Valve Supply Support for Water Closet	<b>125.00</b>	<b>245.00</b>



\*Regularly furnished unless otherwise specified.

For additional product information, please visit [www.zurn.com](http://www.zurn.com) | Patent [zurn.com/patents](http://zurn.com/patents)

Items designated as Best Sellers are most specified and are generally in stock for shipment.

Ⓢ This symbol denotes a product that is engineered to reduce installation and rework time.

For Additional System Tools See "Z1200 Carrier Tools and Accessories" on page 196

**ZF1202-U EZCARRY® ONE-PIECE FOOT/FACEPLATE VERTICAL SIPHON JET NO-HUB WATER CLOSET CARRIER SYSTEM**



**ENGINEERING SPECIFICATION**

ZF1201-U EZCarry® one-piece combination floor mounted foot/faceplate Vertical siphon jet system supplied for ( ) rough-in height features high performance Dura-Coated cast iron main fitting with hydro-mechanically optimized sweep, 4" [102mm] no-hub connections, and extended 2" [51mm] vent. Faceplate enables prefabrication with strut channel or angle iron. Corrosion resistant adjustable 3" [76mm] diameter x 6" [152mm] coupling with integral test cap is designed to increase flow velocity and line carry. Labor saving Neo-Seal bonded gasket optimizes flow performance while reducing installation steps. Complete system includes one-piece combination foot/faceplate, heavy-duty 1/2" [13mm] rear anchor tie own (optional dependent on installation method, see intallation instructions), fixture bolts, trim and stud protectors. EZCarry® one-piece combination floor mounted foot/faceplate system complies with all applicable requirements of ASME A112.6.1M up to a 500 lb [227 kg] maximum static load.

**NOTES**

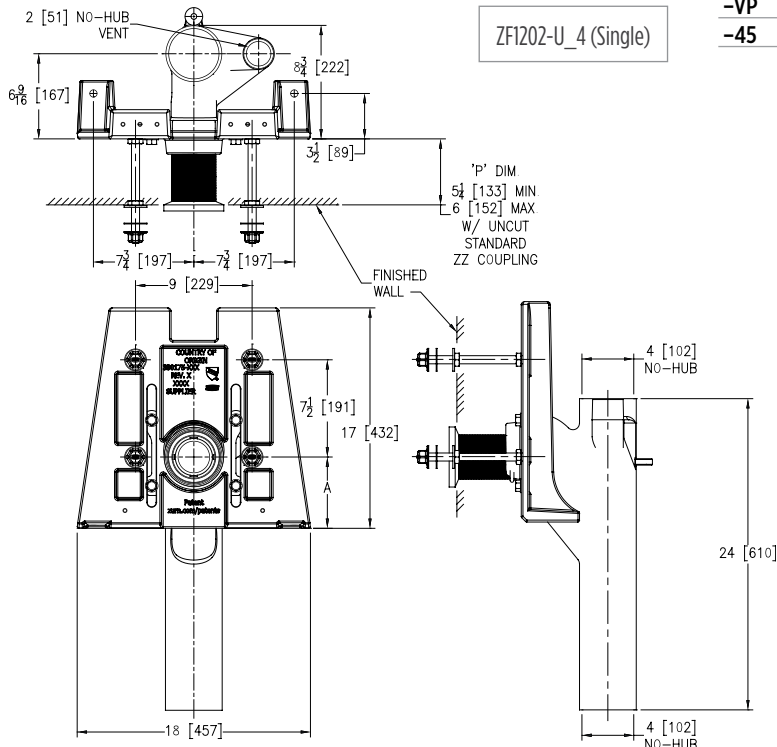
1. Cut ZZ Coupling, Min. 'P' Dim. Obtainable = 2 [51]. Cut EZ-Set™ Coupling, Min. 'P' Dim. Obtainable = 2-1/16 [52] for 12 [305] NPT.
2. Feet bolted to floor using min. 1/2 [13] dia. anchors.
3. Rear anchor requirement is dependent on installation type. See installation instructions.
4. 2 [51] No-Hub vent connection regularly furnished on right hand side. Left hand available when specified (Suffix -VL)
5. Auxiliary inlet available right (-JR) or left (-JL) or both sides (-JJ) when specified.

Product Number	Dimensions in inches [mm]	Approximate Weight lb [kg]
	A	
ZF1202-U4-F55	5-1/2 [140]	85 [39]
ZF1202-U4-F75	7-1/2 [191]	

PREFIXES	DESCRIPTION	SINGLE	DOUBLE
<b>ZF1202-U4-F*</b>	D.C.C.I. System with Zurn ZZ Adjustable Coupling*	<b>See Fitting Type for Pricing</b>	
<b>ZQF1202-U4-F</b>	D.C.C.I. System with NPT Faceplate Non-Adjustable Coupling		

FITTING TYPE - NO HUB			
<b>ZF1202-U4-F55</b>	4" No-Hub Vertical Inlet with Flow downward with 5-1/2" Non-Adjustable Rough-In Height	<b>2,453.00</b>	<b>4,338.00</b>
<b>ZF1202-U4-F75</b>	4" No-Hub Vertical Inlet with Flow downward with 7-1/2" Non-Adjustable Rough-In Height	<b>2,453.00</b>	<b>4,338.00</b>

SUFFIXES		ADD	
<b>-A</b>	Auxiliary Support Assembly (Required For 'P' Dim. Greater than 18")	<b>1,179.00</b>	<b>2,351.00</b>
<b>-CC</b>	Corrosion Resistant Cast Iron Coupling (2-1/4" thru 12")	<b>N/C</b>	<b>N/C</b>
<b>-CE</b>	EZ-Set™ Coupling (NPSM 6 [152], 12 [305] or custom) (NPT 12 [305] or custom)	6" <b>79.00</b> 12" <b>79.00</b>	157.00 157.00
<b>-CL</b>	Custom Length Standard Coupling with Integral Test Cap (Specify Length 4, 8, 10, 12)	<b>N/C</b>	<b>N/C</b>
<b>-CS</b>	2-1/4" Polymer Coupling with Integral Test Cap (ZZ Coupling Only)	<b>N/C</b>	<b>N/C</b>
<b>-G</b>	Galvanized Cast Iron	<b>1,119.00</b>	<b>2,233.00</b>
<b>-JJ</b>	Two 2" Auxiliary Inlets	<b>991.00</b>	<b>991.00</b>
<b>-JL</b>	2" Left-Hand Auxiliary Inlet	<b>500.00</b>	<b>500.00</b>
<b>-JR</b>	2" Right-Hand Auxiliary Inlet	<b>500.00</b>	<b>500.00</b>
<b>-M</b>	Auxiliary Foot Support (Required For 'P' Dim. 7" thru 18")	<b>446.00</b>	<b>885.00</b>
<b>-VL</b>	Left Hand Vent Connection	<b>N/C</b>	<b>N/C</b>
<b>-VP</b>	Vandal-Proof Trim	<b>192.00</b>	<b>371.00</b>
<b>-45</b>	Finishing Frame for Siphon Jet System	<b>119.00</b>	<b>230.00</b>



Items designated as Best Sellers are most specified and are generally in stock for shipment.  
 ⌚ This symbol denotes a product that is engineered to reduce installation and rework time.  
 For Additional System Tools See "Z1200 Carrier Tools and Accessories" on page 196

\*Regularly furnished unless otherwise specified.  
 For additional product information, please visit [www.zurn.com](http://www.zurn.com) | Patent [zurn.com/patents](http://zurn.com/patents)

**ZF1202-N EZCARRY® VERTICAL SIPHON JET ONE-PIECE CARRIER – NO-HUB SERIES**

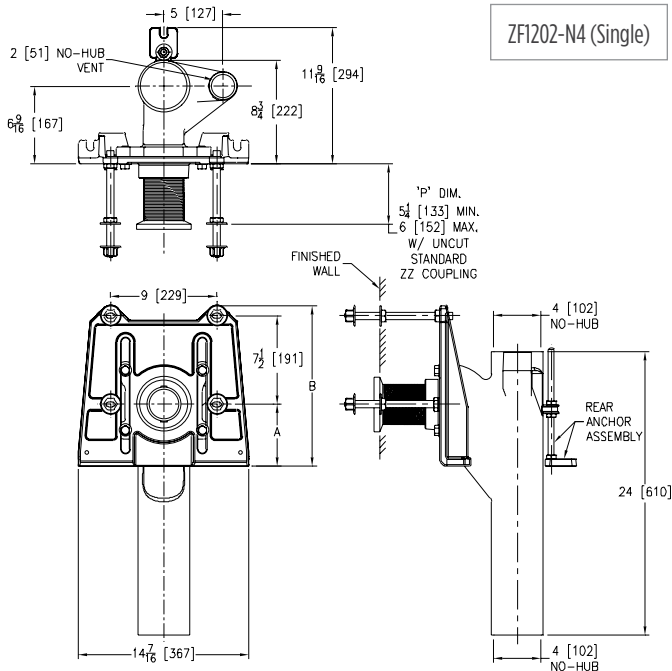


**ENGINEERING SPECIFICATION**

Zurn ZF1202-N( ) EZCarry® one-piece combination floor mounted foot/faceplate horizontal siphon jet water closet carrier system, supplied for ( ) rough-in height, features high performance Dura-Coated cast iron main fitting with hydro-mechanically optimized sweep, 4" no-hub connections, and extended 2" vent. Corrosion resistant adjustable 3" diameter x 6" coupling with integral test cap is designed to increase flow velocity and line carry. Labor saving Neo-Seal bonded gasket optimizes flow performance, while reducing installation steps. Complete system includes one-piece combination foot/faceplate, heavy-duty 1/2" rear anchor tie down, fixture bolts, trim, and stud protectors. EZCarry® one-piece combination floor mounted foot/faceplate system complies with all applicable requirements of ASME A112.6.1M up to a 500 lb maximum static load.

**NOTES**

1. Cut 4" adjustable coupling minimum 'P' dimension obtainable = 2". EZ-Set™ coupling, minimum 'P' dimension obtainable = 4-1/4" or 2-1/16" for 12" NPT.
2. Feet bolted to floor using minimum 1/2" diameter anchors.
3. Rear anchor assembly required for secure installation (not on ND4).
4. 2" no-hub vent connection regularly furnished on right-hand side. Left-hand available when specified (Suffix -VL).
5. Auxiliary inlet available right (-JR) or left (-JL) or both sides (-JJ).



Product Number	Dimensions in inches [mm]		Approximate Weight lb [kg]
	A	B	
ZF1202-N4-F55	5-1/2 [140]	13-7/8 [352]	87 [39]
ZF1202-ND4-F55			107 [49]
ZF1202-N4-F75	7-1/2 [191]	15-7/8 [403]	91 [41]
ZF1202-ND4-F75			115 [52]

PREFIXES	DESCRIPTION	SINGLE	DOUBLE
ZF1202*	D.C.C.I. System with 4" Adjustable Coupling	See Fitting Type for Pricing	
ZQF1202	D.C.C.I. System with NPT Faceplate Non-Adjustable Coupling		
FITTING TYPE			
-N4-F55	4" No-Hub Right-Hand Inlet with Flow to Left with 5-1/2" Non-Adjustable Rough-In Height	2,453.00	-
-ND4-F55	4" No-Hub Back-to-Back Inlet (Double), with 5-1/2" Non-Adjustable Rough-In Height	-	4,338.00
-N4-F75	4" No-Hub Left-Hand Inlet with Flow to Right with 7-1/2" Non-Adjustable Rough-In Height	2,453.00	-
-ND4-F75	4" No-Hub Back-to-Back Inlet (Double), with 7-1/2" Non-Adjustable Rough-In Height	-	4,338.00
SUFFIXES		ADD	
-A	Auxiliary Support Assembly (Required For 'P' Dim. Greater than 18")	1,179.00	2,351.00
-CC	Corrosion Resistant Cast Iron Coupling (2-1/4" thru 12")	N/C	N/C
-CE	EZ-SET™ Coupling (6", 12" & 18")	6"	79.00 157.00
		12"	79.00 157.00
		18"	710.00 1,418.00
-CL	Custom Length Standard Coupling with Integral Test Cap (Specify Length 6" or 12")	N/C	N/C
Ⓢ -CS	2-1/4" Polymer Coupling with Integral Test Cap	N/C	N/C
-G	Galvanized Cast Iron	1,119.00	2,233.00
-JJ	Two 2" Auxiliary Inlets	991.00	991.00
-JL	2" Left-Hand Auxiliary Inlet	500.00	500.00
-JR	2" Right-Hand Auxiliary Inlet	500.00	500.00
-M	Auxiliary Foot Support (Required For 'P' Dim. 10" thru 18")	446.00	885.00
-VL	Left-Hand Vent Connection	N/C	N/C
-VP	Vandal-Proof Trim	192.00	371.00
Ⓢ -45	Finishing Frame for Siphon Jet System (For Blowout System specify -45-B)	119.00	230.00
Ⓢ -50	Flush Valve Supply Support for Water Closet	125.00	245.00

\*Regularly furnished unless otherwise specified.

For additional product information, please visit [www.zurn.com](http://www.zurn.com) | Patent [zurn.com/patents](http://zurn.com/patents)

Items designated as Best Sellers are most specified and are generally in stock for shipment.

Ⓢ This symbol denotes a product that is engineered to reduce installation and rework time.

For Additional System Tools See "Z1200 Carrier Tools and Accessories" on page 196

# ⌚ ZN1202-N EZCARRY® ADJUSTABLE VERTICAL SIPHON JET – NO-HUB NARROW WALL SYSTEM



## ENGINEERING SPECIFICATION

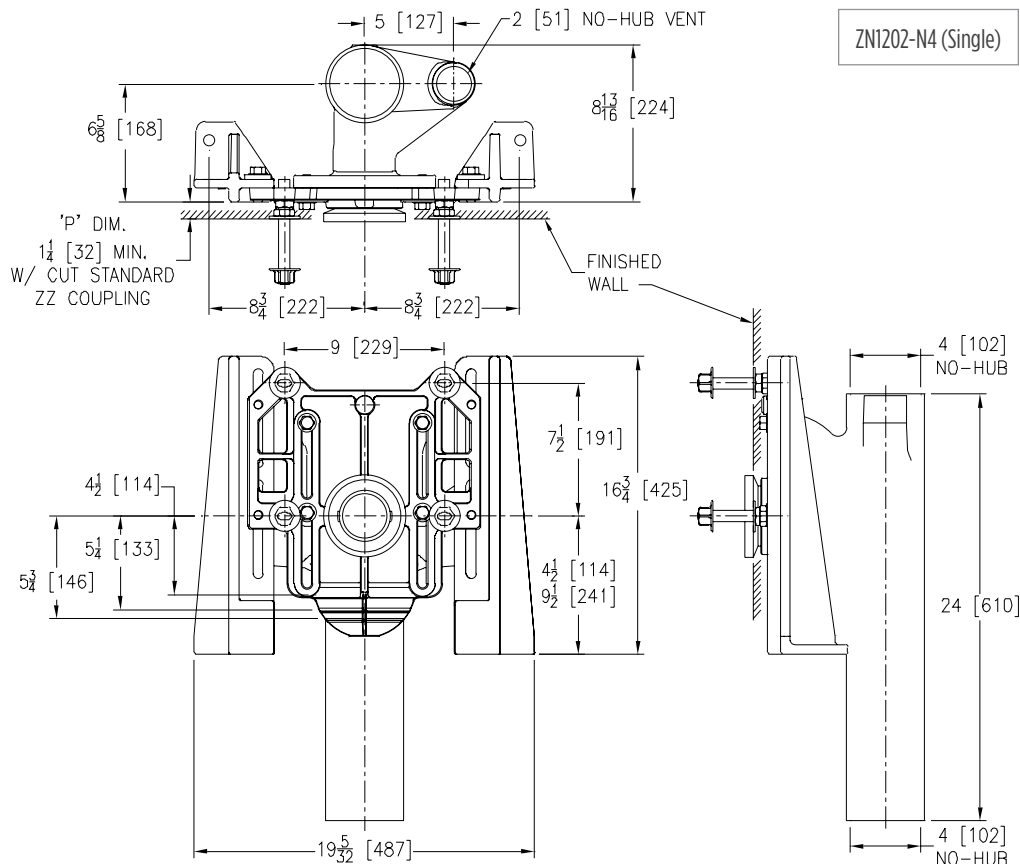
Zurn ZN1202-N( )4 EZCarry® narrow wall vertical siphon jet water closet carrier system features high performance Dura-Coated cast iron main fitting with hydromechanically optimized sweep, 4" no-hub connections, and extended 2" vent. Corrosion resistant adjustable 3" diameter x 6" coupling with integral test cap is designed to increase flow velocity and line carry. Labor saving Neo-Seal bonded gasket optimizes flow performance while reducing installation steps. Complete system includes an adjustable, gasketed faceplate, floor mounted foot supports, fixture bolts, trim, and stud protectors. EZCarry® narrow wall system complies with all applicable requirements of ASME A112.6.1M up to a 500 lb maximum static load.

## NOTES

1. Cut 4" adjustable coupling minimum 'P' dimension obtainable = 1-1/4".
2. Carrier floor anchors must each be able to withstand a pull-out force of 1741 lb.
3. Pull-out forces are calculated values with standard coupling assembly. No safety factor has been applied. See Form #C38 for more information.
4. 2" no-hub vent connection regularly furnished on right-hand side. Left hand available when specified (Suffix -VL).
5. Auxiliary inlet available right (-JR) or left (-JL) or both sides (-JJ) when specified.

Product Number	Approximate Weight lb [kg]
ZN1202-N4	90 [41]
ZN1202-ND4	158 [72]

PREFIXES	DESCRIPTION	SINGLE	DOUBLE
<b>ZN1202*</b>	D.C.C.I. System with 4" Adjustable Coupling	<b>See Fitting Type for Pricing</b>	
FITTING TYPE			
<b>-N4</b>	4" No-Hub Stack, Single Inlet, 2" Right-Hand Vent	<b>2,894.00</b>	-
<b>-ND4</b>	4" No-Hub Stack, Back-to-Back Inlet (Double), 2" Right-Hand Vent	-	<b>5,339.00</b>
SUFFIXES		ADD	
<b>-CC</b>	Corrosion Resistant Cast Iron Coupling (2-1/4" thru 12")	<b>N/C</b>	<b>N/C</b>
⌚ <b>-CS</b>	2-1/4" Polymer Coupling with Integral Test Cap	<b>N/C</b>	<b>N/C</b>
<b>-G</b>	Galvanized Cast Iron	<b>1,119.00</b>	<b>2,233.00</b>
<b>-JJ</b>	Two 2" Auxiliary Inlets	<b>1,979.00</b>	<b>1,979.00</b>
<b>-JL</b>	2" Left-Hand Auxiliary Inlet	<b>997.00</b>	<b>997.00</b>
<b>-JR</b>	2" Right-Hand Auxiliary Inlet	<b>997.00</b>	<b>997.00</b>
<b>-VL</b>	Left-Hand Vent Connection	<b>N/C</b>	<b>N/C</b>
<b>-VP</b>	Vandal-Proof Trim	<b>192.00</b>	<b>371.00</b>
⌚ <b>-50</b>	Flush Valve Supply Support for Water Closet	<b>125.00</b>	<b>245.00</b>



Items designated as Best Sellers are most specified and are generally in stock for shipment.

⌚ This symbol denotes a product that is engineered to reduce installation and rework time.

For Additional System Tools See "Z1200 Carrier Tools and Accessories" on page 196

\*Regularly furnished unless otherwise specified.

For additional product information, please visit [www.zurn.com](http://www.zurn.com) | [Patent.zurn.com/patents](http://Patent.zurn.com/patents)

# Z1203-N ADJUSTABLE HORIZONTAL SIPHON JET – NO-HUB SERIES

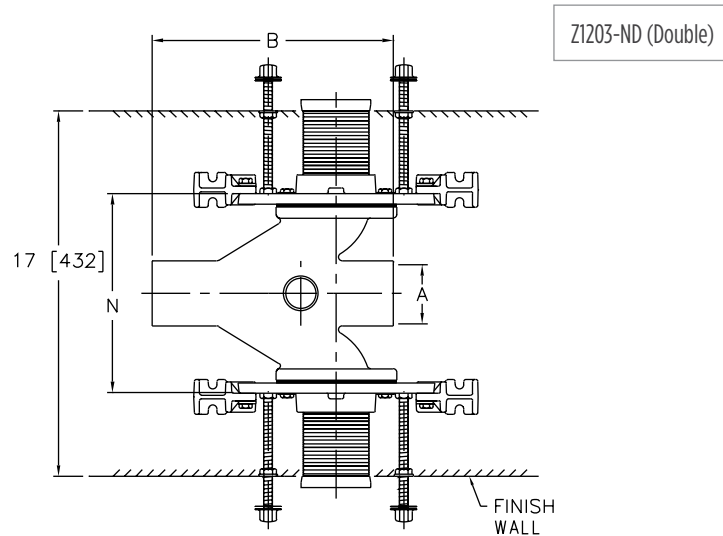
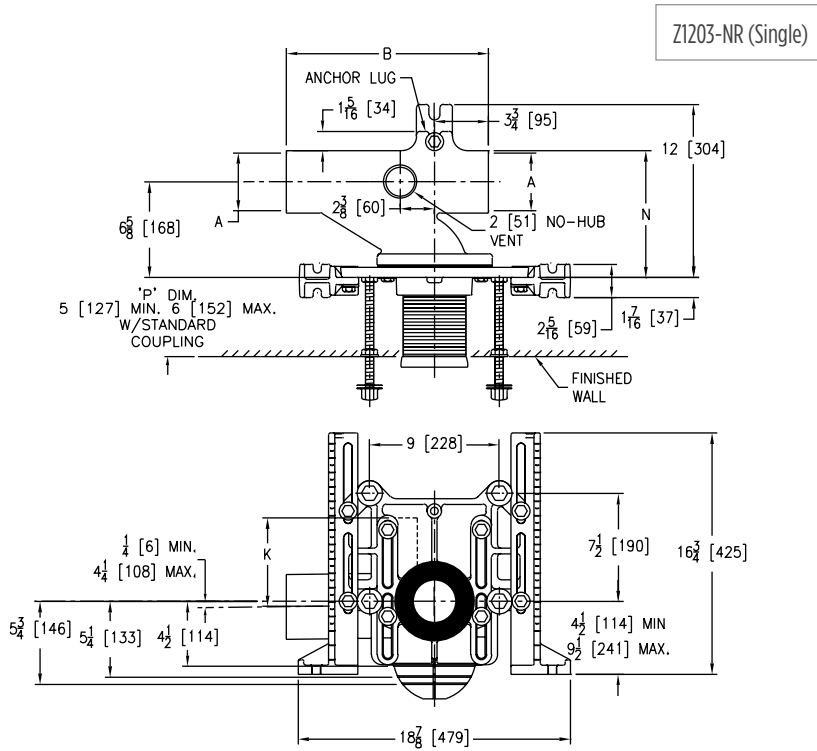


## ENGINEERING SPECIFICATION

Zurn Z1203-N( ) adjustable, horizontal siphon jet water closet provides a rigid system with ( ) size no-hub connections. Comes complete with Dura-Coated cast iron right-hand, left-hand, or double main fitting, 2" vent adjustable gasketed faceplate, universal floor mounted foot supports, corrosion resistant adjustable polymer icoupling with integral test cap, fixture bolts, trim, and stud protectors. Includes rear anchor tie down and bonded Neo-Seal gasket.

## NOTES

1. Minimum "P" dimension attainable = 2".
2. Feet anchored to floor using minimum 1/2" diameter bolts through rear slots on carrier feet.
3. Rear anchor foot required for secure installation.
4. When used with Z1204 vertical fitting, and the centerline of the fitting to the finished wall exceeds 11-3/4", a 7" or longer, coupling is needed.



\*Regularly furnished unless otherwise specified.

For additional product information, please visit [www.zurn.com](http://www.zurn.com) | Patent [zurn.com/patents](http://zurn.com/patents)

Items designated as Best Sellers are most specified and are generally in stock for shipment.

Ⓞ This symbol denotes a product that is engineered to reduce installation and rework time.

For Additional System Tools See "Z1200 Carrier Tools and Accessories" on page 196

# Z1203-N ADJUSTABLE HORIZONTAL SIPHON JET – NO-HUB SERIES

Product Number	Dimensions in inches [mm]				Approximate Weight lb [kg]
	A	B	K	N	
Z1203-NL3	3 [76]	14 [356]	6-1/8 [156]	7-7/16 [189]	64 [29]
Z1203-NR3				11-1/4 [286]	114 [52]
Z1203-ND3				8-7/8 [225]	67 [30]
Z1203-NL4	4 [102]	14 [356]	6-1/8 [156]	13-3/8 [340]	120 [54]
Z1203-NR4					
Z1203-ND4					

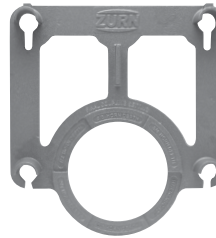
PREFIXES	DESCRIPTION	SINGLE	DOUBLE
Z1203*	D.C.C.I. System with 4" Adjustable Coupling	See Fitting Type for Pricing	
ZQ1203	D.C.C.I. System with NPT Faceplate Non-Adjustable Coupling		

FITTING TYPE			
-NR3	3" No-Hub Right-Hand Inlet with Flow to Left	1,980.00	-
-NL3	3" No-Hub Left-Hand Inlet with Flow to Right	1,980.00	-
-ND3	3" No-Hub Back-to-Back Inlet (Double)	-	3,649.00
-NR4	4" No-Hub Right-Hand Inlet with Flow to Left	2,167.00	-
-NL4	4" No-Hub Left-Hand Inlet with Flow to Right	2,167.00	-
-ND4	4" No-Hub Back-to-Back Inlet (Double)	-	4,051.00

SUFFIXES		ADD	
-A	Auxiliary Support Assembly (Required For P-Dim. Greater than 18")	1,179.00	2,351.00
-B	Blowout Type Fixture Support	N/C	N/C
-CC	Corrosion Resistant Cast Iron Coupling (6" to 12")	N/C	N/C
-CL	Coupling Length Greater than 12" Per Inch (Specify Length Required)	144.00	281.00
-JC	2" Auxiliary Inlet with Sanitary Sweep on Faceplate Centerline	500.00	-
-M	Auxiliary Foot Support (Required For P-Dim. 10" - 18")	446.00	885.00
Ⓢ -PF	Pre-Fab Foot	N/C	N/C
Ⓢ -PS	Pre-Fab Slotted Foot	N/C	N/C
Ⓢ -RYK	Unistrut Pre-Fab Foot	N/C	N/C
-VP	Vandal-Proof Trim	192.00	371.00
-X3	3" Foot Extension Assembly	125.00	245.00
-X4	4" Foot Extension Assembly	160.00	313.00
Ⓢ -45	Finishing Frame for Siphon Jet System (For Blowout System specify -45-B)	119.00	230.00
Ⓢ -50	Flush Valve Supply Support for Water Closet (Previously Z1210-50)	125.00	245.00

DEDUCT			
-F	Floor Mounted, Back Outlet Fixture Support	(219.00)	(433.00)

BEST SELLERS	LIST PRICE
Z1203-ND4	4,051.00
Z1203-ND4-45	4,281.00
Z1203-ND4-45-50	4,526.00
Z1203-ND4-CL=12	4,051.00
Z1203-ND4-PF	4,051.00
Z1203-NL4-45	2,286.00
Z1203-NL4-CL=12	2,167.00
Z1203-NL4-PF	2,167.00
Z1203-NR3	1,980.00
Z1203-NR4	2,167.00
Z1203-NR4-CL=12	2,167.00



Ⓢ Z1200-RI-GAUGE



Z1200-CPLGWRNCH-4

Items designated as Best Sellers are most specified and are generally in stock for shipment.  
 Ⓢ This symbol denotes a product that is engineered to reduce installation and rework time.  
 For Additional System Tools See "Z1200 Carrier Tools and Accessories" on page 196

\*Regularly furnished unless otherwise specified.  
 For additional product information, please visit [www.zurn.com](http://www.zurn.com) | Patent [zurn.com/patents](http://zurn.com/patents)

INTRO  
 ROOF DRAINS  
 FLOOR DRAINS  
 I, P, BW VALVES  
 INTERCEPTORS  
 CARRIERS  
 HYDRANTS  
 CLEANOUTS  
 WHA  
 SS DRAINS  
 SAN-FLOOR  
 TECH INFO



# Z1203-H ADJUSTABLE HORIZONTAL SIPHON JET – HUB AND SPIGOT SERIES

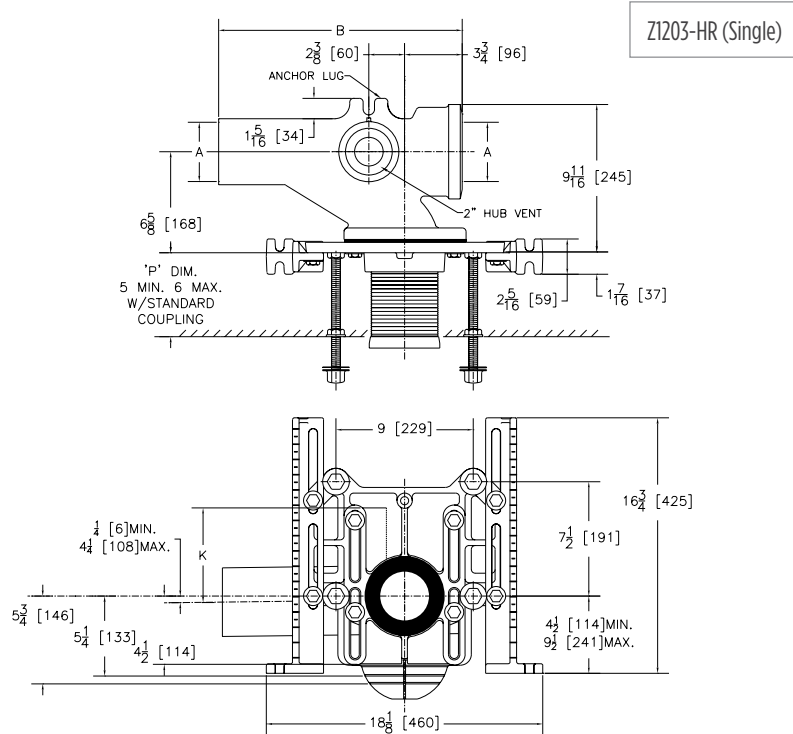


## ENGINEERING SPECIFICATION

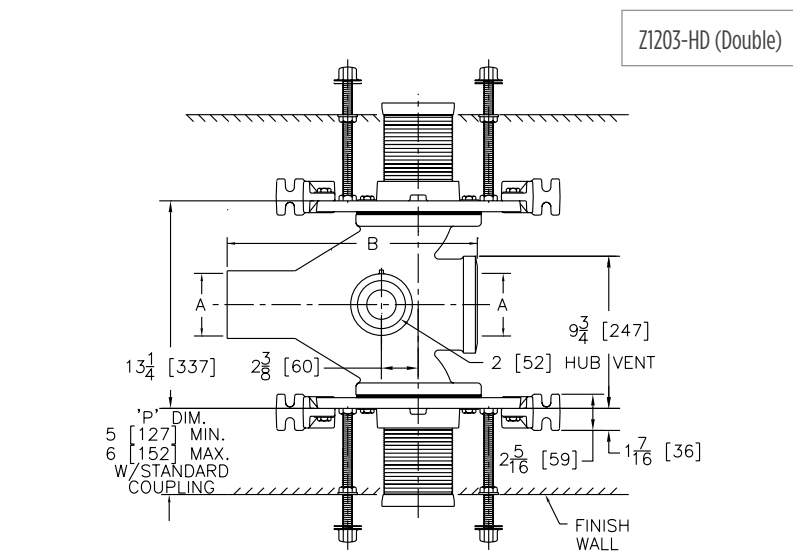
Zurn Z1203-H( ) adjustable, horizontal siphon jet water closet provides a rigid system with ( ) size hub and spigot connections. Comes complete with Dura-Coated cast iron right-hand, left-hand, or double main fitting, 2" vent adjustable gasketed faceplate, universal floor mounted foot supports, corrosion resistant adjustable polymer coupling with integral test cap, fixture bolts, trim, and stud protectors. Includes rear anchor tie down and bonded Neo-Seal gasket.

## NOTES

1. Minimum "P" dimension attainable = 2".
2. Feet anchored to floor using minimum 1/2" diameter bolts through rear slots on carrier feet.
3. Rear anchor foot required for secure installation (not on HD series).



Z1203-HR (Single)



Z1203-HD (Double)

\*Regularly furnished unless otherwise specified.

For additional product information, please visit [www.zurn.com](http://www.zurn.com) | Patent [zurn.com/patents](http://zurn.com/patents)

Items designated as Best Sellers are most specified and are generally in stock for shipment.

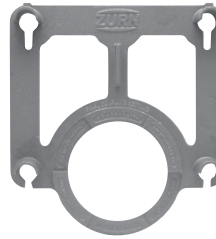
Ⓢ This symbol denotes a product that is engineered to reduce installation and rework time.

For Additional System Tools See "Z1200 Carrier Tools and Accessories" on page 196

# Z1203-H ADJUSTABLE HORIZONTAL SIPHON JET – HUB AND SPIGOT SERIES

Product Number	Dimensions in inches [mm]				Approximate Weight lb [kg]
	A	B	K	N	
Z1203-HL4	4 [102]	16 [406]	6-1/8 [156]	9-3/4 [248]	75 [34]
Z1203-HR4				13-1/4 [337]	125 [57]
Z1203-HD4					

PREFIXES	DESCRIPTION	SINGLE	DOUBLE
<b>Z1203*</b>	D.C.C.I. System with 4" Adjustable Coupling	<b>See Fitting Type for Pricing</b>	
<b>ZQ1203</b>	D.C.C.I. System with NPT Faceplate Non-Adjustable Coupling		
FITTING TYPE			
<b>-HL4</b>	4" Hub & Spigot, Left-Hand Inlet with Flow to Right	<b>2,230.00</b>	-
<b>-HR4</b>	4" Hub & Spigot, Right-Hand Inlet with Flow to Left	<b>2,230.00</b>	-
<b>-HD4</b>	4" Hub & Spigot, Back-to-Back Inlet (Double)	-	<b>4,158.00</b>
SUFFIXES		ADD	
<b>-A</b>	Auxiliary Support Assembly (Required For P-Dim. Greater than 18")	<b>1,179.00</b>	<b>2,351.00</b>
<b>-B</b>	Blowout Type Fixture Support	<b>N/C</b>	<b>N/C</b>
<b>-CC</b>	Corrosion Resistant Cast Iron Coupling (6" to 12")	<b>N/C</b>	<b>N/C</b>
<b>-CL</b>	Coupling Length Greater than 12" Per Inch (Specify Length Required)	<b>144.00</b>	<b>281.00</b>
<b>-G</b>	Galvanized Cast Iron	<b>1,119.00</b>	<b>2,233.00</b>
<b>-M</b>	Auxiliary Foot Support (Required For P-Dim. 10" thru 18")	<b>446.00</b>	<b>885.00</b>
⌚ <b>-PF</b>	Pre-Fab Foot	<b>N/C</b>	<b>N/C</b>
⌚ <b>-PS</b>	Pre-Fab Slotted Foot	<b>N/C</b>	<b>N/C</b>
⌚ <b>-RYK</b>	Unistrut Pre-Fab Foot	<b>N/C</b>	<b>N/C</b>
<b>-VP</b>	Vandal-Proof Trim	<b>192.00</b>	<b>371.00</b>
<b>-X3</b>	3" Foot Extension Assembly	<b>125.00</b>	<b>245.00</b>
<b>-X4</b>	4" Foot Extension Assembly	<b>160.00</b>	<b>313.00</b>
⌚ <b>-45</b>	Finishing Frame for Siphon Jet System (For Blowout System specify -45-B)	<b>119.00</b>	<b>230.00</b>
⌚ <b>-50</b>	Flush Valve Supply Support for Water Closet (Previously Z1210-50)	<b>125.00</b>	<b>245.00</b>
		DEDUCT	
<b>-F</b>	Floor Mounted, Back Outlet Fixture Support	<b>(219.00)</b>	<b>(433.00)</b>



⌚ Z1200-RI-GAUGE



Z1200-CPLGWRNCH-4

Items designated as Best Sellers are most specified and are generally in stock for shipment.  
 ⌚ This symbol denotes a product that is engineered to reduce installation and rework time.  
 For Additional System Tools See "Z1200 Carrier Tools and Accessories" on page 196

\*Regularly furnished unless otherwise specified.  
 For additional product information, please visit [www.zurn.com](http://www.zurn.com) | Patent [zurn.com/patents](http://zurn.com/patents)

# ZE1203-N ADJUSTABLE HORIZONTAL SIPHON JET WITH ELONGATED FITTING – NO-HUB SERIES

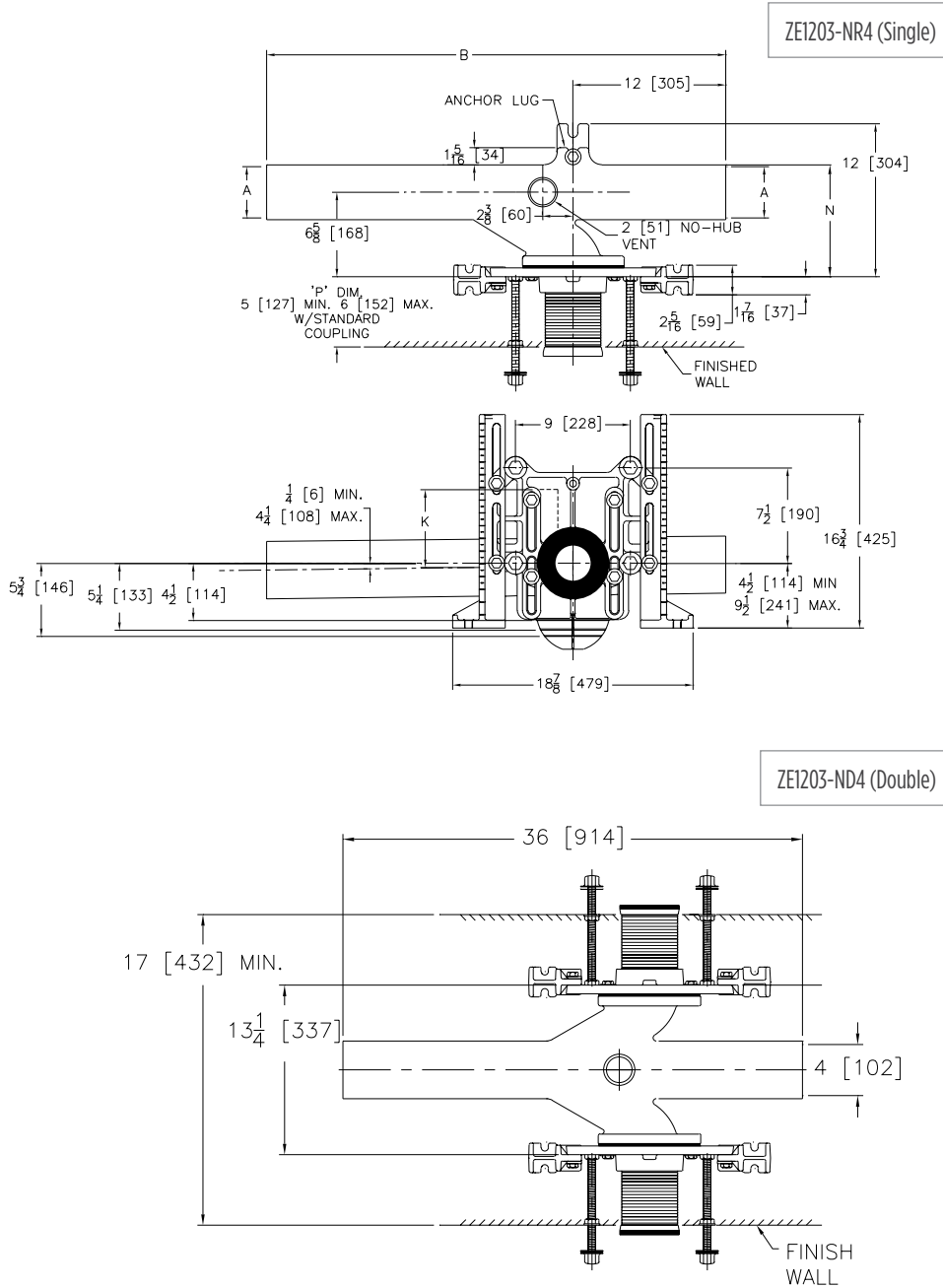


## ENGINEERING SPECIFICATION

Zurn ZE1203-N ( ) adjustable, horizontal siphon jet water closet provides a rigid system with ( ) no-hub connections. Comes complete with Dura-Coated cast iron right-hand, left-hand, or double main elongated fitting, 2" vent, adjustable gasketed faceplate, universal floor mounted foot supports, corrosion resistant adjustable polymer coupling with integral test cap, fixture bolts, trim, and stud protectors. Includes rear anchor tie down and bonded Neo-Seal gasket.

## NOTES

1. 13-1/2" minimum space required between front of foot and rear of anchor to install ZE1203 Series.
2. Minimum 'P' dimension obtainable = 2".
3. Feet bolted to floor using min. 1/2" diameter bolts through back slots on carrier feet.
4. Rear anchor foot mandatory for secure installation.



\*Regularly furnished unless otherwise specified.

For additional product information, please visit [www.zurn.com](http://www.zurn.com) | Patent [zurn.com/patents](http://zurn.com/patents)

Items designated as Best Sellers are most specified and are generally in stock for shipment.

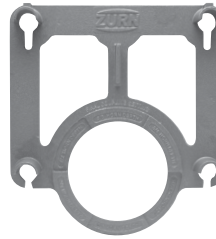
Ⓢ This symbol denotes a product that is engineered to reduce installation and rework time.

For Additional System Tools See "Z1200 Carrier Tools and Accessories" on page 196

## ⌚ ZE1203-N ADJUSTABLE HORIZONTAL SIPHON JET WITH ELONGATED FITTING – NO-HUB SERIES

Product Number	Dimensions in inches [mm]				Approximate Weight lb [kg]
	A	B	K	N	
ZE1203-NL4	4 [102]	36 [914]	6-1/8 [156]	8-7/8 [225]	84 [38]
ZE1203-NR4				13-3/8 [340]	136 [62]
ZE1203-ND4					

PREFIXES	DESCRIPTION	SINGLE	DOUBLE
<b>ZE1203*</b>	D.C.C.I. Elongated Fitting System with 4" Adjustable Coupling	<b>See Fitting Type for Pricing</b>	
<b>ZEQ1203</b>	D.C.C.I. Elongated Fitting System with NPT Faceplate, Non-Adjustable Coupling		
FITTING TYPE			
<b>-NR4</b>	4" No-Hub Right-Hand Inlet with Flow to Left	<b>2,685.00</b>	-
<b>-NL4</b>	4" No-Hub Left-Hand Inlet with Flow to Right	<b>2,685.00</b>	-
<b>-ND4</b>	4" No-Hub Back-to-Back Inlet (Double)	-	<b>4,429.00</b>
SUFFIXES		ADD	
<b>-A</b>	Auxiliary Support Assembly (Required For P-Dim. Greater than 18")	<b>1,179.00</b>	<b>2,351.00</b>
<b>-B</b>	Blowout Type Fixture Support	<b>N/C</b>	<b>N/C</b>
<b>-CC</b>	Corrosion Resistant Cast Iron Coupling (6" to 12")	<b>N/C</b>	<b>N/C</b>
<b>-CL</b>	Coupling Length Greater than 12" - Per Inch (Specify Length Required)	<b>144.00</b>	<b>281.00</b>
<b>-JC</b>	2" Auxiliary Inlet with Sanitary Sweep	<b>500.00</b>	-
<b>-M</b>	Auxiliary Foot Support (Required For P-Dim. 10" thru 18")	<b>446.00</b>	<b>885.00</b>
⌚ <b>-PF</b>	Pre-Fab Foot	<b>N/C</b>	<b>N/C</b>
⌚ <b>-PS</b>	Pre-Fab Slotted Foot	<b>N/C</b>	<b>N/C</b>
⌚ <b>-RYK</b>	Unistrut Pre-Fab Foot	<b>N/C</b>	<b>N/C</b>
<b>-VP</b>	Vandal-Proof Trim	<b>192.00</b>	<b>371.00</b>
<b>-X3</b>	3" Foot Extension Assembly	<b>125.00</b>	<b>245.00</b>
<b>-X4</b>	4" Foot Extension Assembly	<b>160.00</b>	<b>313.00</b>
⌚ <b>-45</b>	Finishing Frame for Siphon Jet System (For Blowout System specify -45-B)	<b>119.00</b>	<b>230.00</b>
⌚ <b>-50</b>	Flush Valve Supply Support for Water Closet (Previously Z1210-50)	<b>125.00</b>	<b>245.00</b>
		DEDUCT	
<b>-F</b>	Floor Mounted, Back Outlet Fixture Support	<b>(219.00)</b>	<b>(433.00)</b>
BEST SELLERS		LIST PRICE	
ZEQ1203-ND4-45		<b>4,655.00</b>	
ZEQ1203-NR4-45-50		<b>2,923.00</b>	



⌚ Z1200-RI-GAUGE



Z1200-CPLGWRNCH-4

Items designated as Best Sellers are most specified and are generally in stock for shipment.  
 ⌚ This symbol denotes a product that is engineered to reduce installation and rework time.  
 For Additional System Tools See "Z1200 Carrier Tools and Accessories" on page 196

\*Regularly furnished unless otherwise specified.  
 For additional product information, please visit [www.zurn.com](http://www.zurn.com) | Patent [zurn.com/patents](http://zurn.com/patents)

# ZE1203-H ADJUSTABLE HORIZONTAL SIPHON JET WITH ELONGATED FITTING – HUB AND SPIGOT SERIES

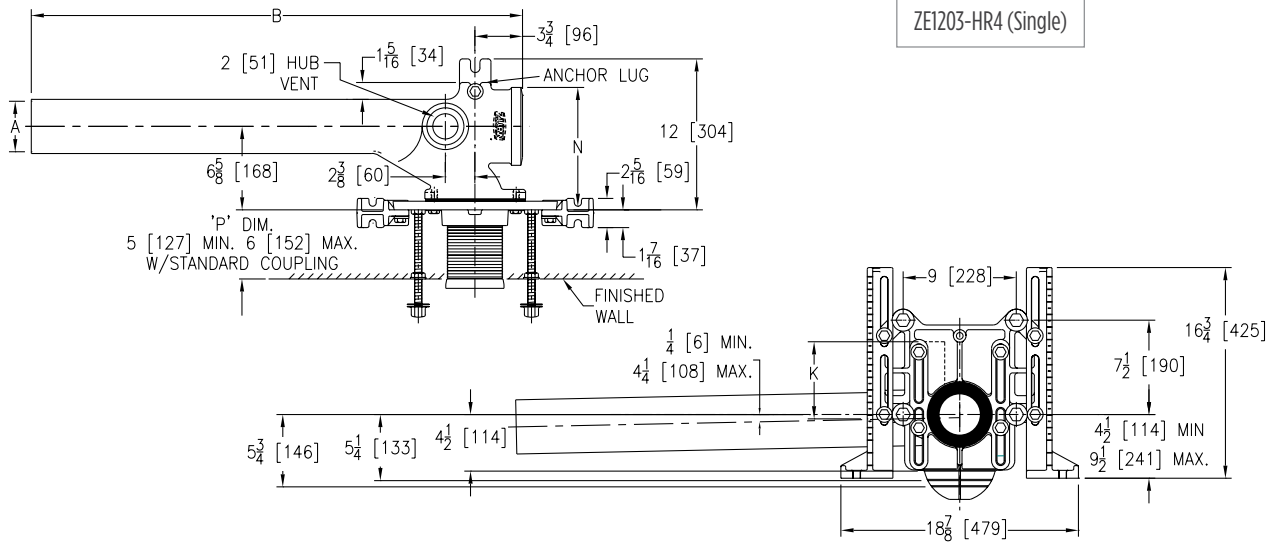


## ENGINEERING SPECIFICATION

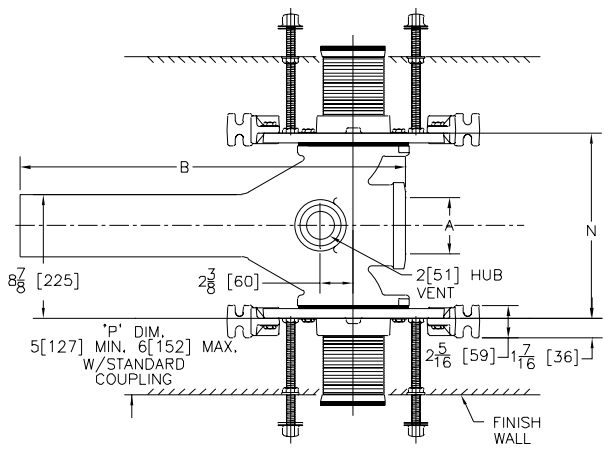
Zurn ZE1203-H ( ) adjustable, horizontal siphon jet water closet provides a rigid system with ( ) size hub and spigot connections. Comes complete with Dura-Coated cast iron right-hand, left-hand, or double main elongated fitting, 2" vent, adjustable gasketed faceplate, universal floor mounted foot supports, corrosion resistant adjustable polymer coupling with integral test cap, fixture bolts, trim, and stud protectors. Includes rear anchor tie down and bonded Neo-Seal gasket.

## NOTES

1. 13-1/2" minimum space required between front of foot and rear of anchor to install ZE1203 Series.
2. Minimum "P" dimension attainable = 2"
3. Feet anchored to floor using minimum 1/2" diameter anchors through rear slots on carrier feet.
4. Rear anchor foot required for secure installation. (Not on HD series)



ZE1203-HR4 (Single)



ZE1203-HD4 (Double)

\*Regularly furnished unless otherwise specified.

For additional product information, please visit [www.zurn.com](http://www.zurn.com) | Patent [zurn.com/patents](http://zurn.com/patents)

Items designated as Best Sellers are most specified and are generally in stock for shipment.

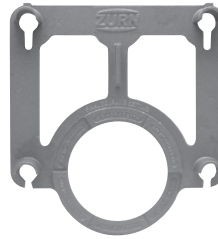
Ⓢ This symbol denotes a product that is engineered to reduce installation and rework time.

For Additional System Tools See "Z1200 Carrier Tools and Accessories" on page 196

## ⌚ ZE1203-H ADJUSTABLE HORIZONTAL SIPHON JET WITH ELONGATED FITTING – HUB AND SPIGOT SERIES

Product Number	Dimensions in inches [mm]				Approximate Weight lb [kg]
	A	B	K	N	
ZE1203-HL4	4 [102]	36 [914]	6-1/8 [156]	9-13/16 [249]	125 [57]
ZE1203-HR4				13-1/4 [337]	144 [65]
ZE1203-HD4					

PREFIXES	DESCRIPTION	SINGLE	DOUBLE
<b>ZE1203*</b>	D.C.C.I. Elongated Fitting System with 4" Adjustable Coupling	<b>See Fitting Type for Pricing</b>	
<b>ZEQ1203</b>	D.C.C.I. Elongated Fitting System with NPT Faceplate, Non-Adjustable Coupling		
FITTING TYPE			
<b>-HL4</b>	4" Caulk, Left-Hand Inlet with Flow Right	<b>2,999.00</b>	-
<b>-HR4</b>	4" Caulk, Right-Hand Inlet with Flow Left	<b>2,999.00</b>	-
<b>-HD4</b>	4" Caulk, Back-to-Back Inlet (Double)	-	<b>5,217.00</b>
SUFFIXES		ADD	
<b>-A</b>	Auxiliary Support Assembly (Required For P-Dim. Greater than 18")	<b>1,179.00</b>	<b>2,351.00</b>
<b>-B</b>	Blowout Type Fixture Support	<b>N/C</b>	<b>N/C</b>
<b>-CC</b>	Corrosion Resistant Cast Iron Coupling (6" to 12")	<b>N/C</b>	<b>N/C</b>
<b>-CL</b>	Custom length greater than 12" - Per Inch (Specify Length)	<b>144.00</b>	<b>281.00</b>
<b>-JC</b>	2" Auxiliary Inlet with Sanitary Sweep	<b>500.00</b>	-
<b>-M</b>	Auxiliary Foot Support (Required For P-Dim. 10" thru 18")	<b>446.00</b>	<b>885.00</b>
⌚ <b>-PF</b>	Pre-Fab Foot	<b>N/C</b>	<b>N/C</b>
⌚ <b>-PS</b>	Pre-Fab Slotted Foot	<b>N/C</b>	<b>N/C</b>
⌚ <b>-RYK</b>	Unistrut Pre-Fab Foot	<b>N/C</b>	<b>N/C</b>
<b>-VP</b>	Vandal-Proof Trim	<b>192.00</b>	<b>371.00</b>
<b>-X3</b>	3" Foot Extension Assembly	<b>125.00</b>	<b>245.00</b>
<b>-X4</b>	4" Foot Extension Assembly	<b>160.00</b>	<b>313.00</b>
⌚ <b>-45</b>	Finishing Frame for Siphon Jet System (For Blowout System specify -45-B)	<b>119.00</b>	<b>230.00</b>
⌚ <b>-50</b>	Flush Valve Supply Support for Water Closet (Previously Z1210-50)	<b>125.00</b>	<b>245.00</b>
		DEDUCT	
<b>-F</b>	Floor Mounted, Back Outlet Fixture Support	<b>(219.00)</b>	<b>(433.00)</b>



⌚ Z1200-RI-GAUGE



Z1200-CPLGWRNCH-4

Items designated as Best Sellers are most specified and are generally in stock for shipment.  
 ⌚ This symbol denotes a product that is engineered to reduce installation and rework time.  
 For Additional System Tools See "Z1200 Carrier Tools and Accessories" on page 196

\*Regularly furnished unless otherwise specified.  
 For additional product information, please visit [www.zurn.com](http://www.zurn.com) | Patent [zurn.com/patents](http://zurn.com/patents)

# Z1204-H ADJUSTABLE VERTICAL SIPHON JET – HUB AND SPIGOT SERIES



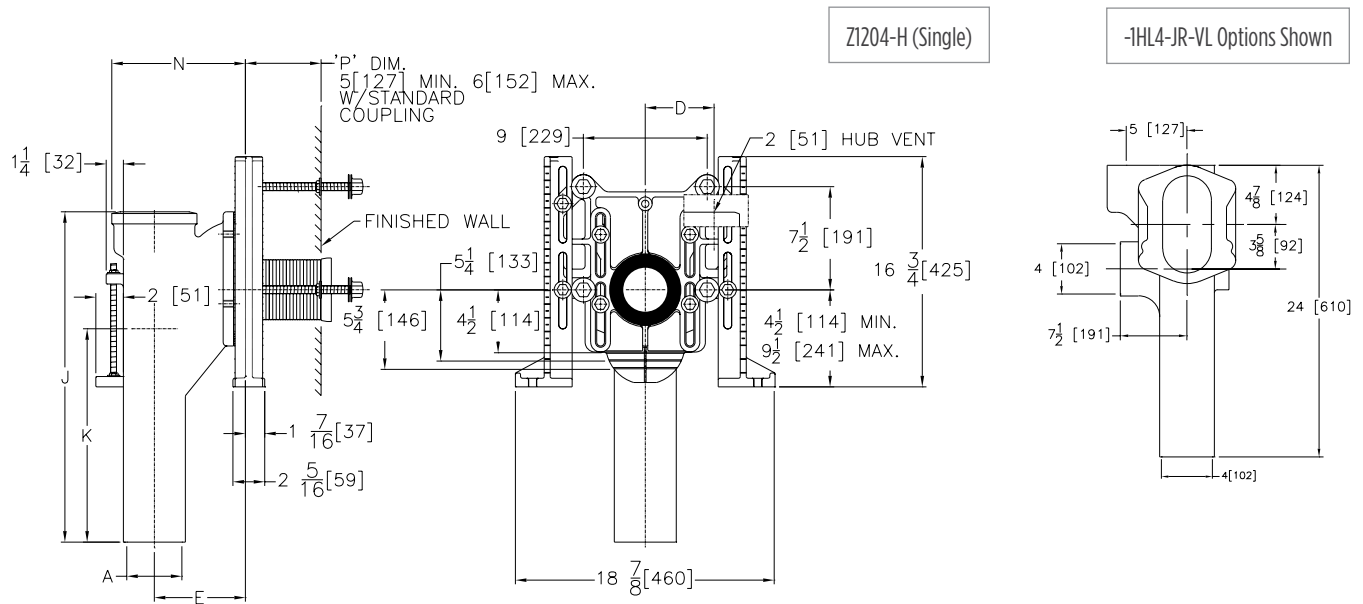
## ENGINEERING SPECIFICATION

Zurn Z1204-( ) adjustable, vertical siphon jet water closet provides a rigid system with ( ) size hub and spigot connections and ( ) side inlets. Comes complete with Dura-Coated cast iron right hand or left hand main fitting, 2" vent, adjustable gasketed faceplate, universal floor mounted foot supports, corrosion resistant adjustable polymer coupling with integral test cap, fixture bolts, trim, and stud protectors. Includes rear anchor tie down and bonded Neo-Seal gasket.

## NOTES

1. 13-1/4" minimum space required between front of foot and rear of anchor to install Z1204-H4.
2. Minimum "P" dimension attainable = 2" [51 mm].
3. Feet anchored to floor using minimum 1/2" [13] diameter anchors through rear slots on carrier feet.
4. Rear anchor foot required for secure installation.

Product Number	Dimensions in inches [mm]								Approximate Weight lb [kg]
	A	B	D	E	H	J	K	N	
Z1204-H4	4 [102]	-	5 [127]	6-5/8 [168]	-	24 [610]	15-1/2 [394]	9-3/4 [248]	90 [41]
Z1204-HD4	4 [102]		5 [127]	6-5/8 [168]				13-1/4 [337]	134 [61]
Z1204-IHL4	4 [102]	4 [102]	5 [127]	6-5/8 [168]	7-1/2 [191]			9-3/4 [248]	107 [49]
Z1204-IHR4								13-1/4 [337]	169 [77]
Z1204-IHD4	4 [102]	4 [102]	5-1/4 [133]	6-5/8 [168]	7-1/2 [191]			9-3/4 [248]	122 [55]
Z1204-2H4	4 [102]	4 [102]	5 [127]	6-5/8 [168]	7-1/2 [191]			13-1/4 [337]	172 [78]
Z1204-2HD4	4 [102]	4 [102]	5 [127]	6-5/8 [168]	7-1/2 [191]				



\*Regularly furnished unless otherwise specified.

For additional product information, please visit [www.zurn.com](http://www.zurn.com) | Patent [zurn.com/patents](http://zurn.com/patents)

Items designated as Best Sellers are most specified and are generally in stock for shipment.

Ⓢ This symbol denotes a product that is engineered to reduce installation and rework time.

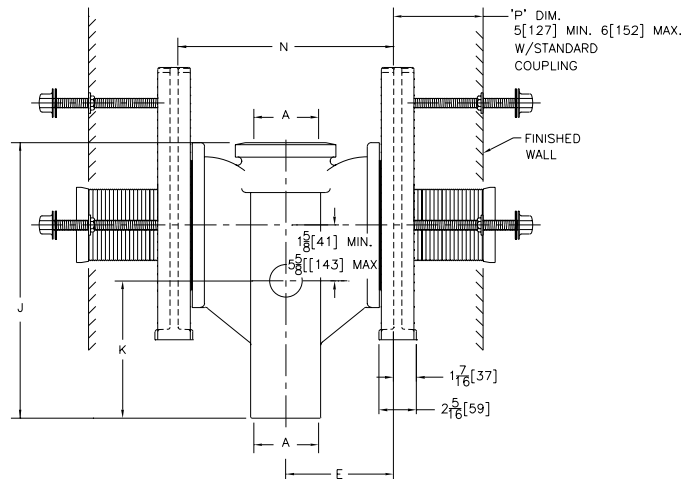
For Additional System Tools See "Z1200 Carrier Tools and Accessories" on page 196

# Z1204-H ADJUSTABLE VERTICAL SIPHON JET – HUB AND SPIGOT SERIES

PREFIXES	DESCRIPTION	SINGLE	DOUBLE
<b>Z1204*</b>	D.C.C.I. System with 4" Adjustable Coupling		<b>See Fitting Type</b>
<b>ZQ1204</b>	D.C.C.I. System with NPT Faceplate Non-Adjustable Coupling		<b>for Pricing</b>
FITTING TYPE			
<b>-H4</b>	4" Hub/Spigot Stack, Single Inlet, 2" Right-Hand Vent	<b>2,638.00</b>	-
<b>-1HL4</b>	4" Hub/Spigot Stack, Single Inlet, (1) 4" Left-Hand Side Inlet, 2" Left-Hand Vent	<b>3,062.00</b>	-
<b>-1HR4</b>	4" Hub/Spigot Stack, Single Inlet, (1) 4" Right-Hand Side Inlet, 2" Right-Hand Vent	<b>3,062.00</b>	-
<b>-1HD4</b>	4" Hub/Spigot Stack, Double Inlet, (1) 4" Side Inlet, 2" Vent		<b>- 4,983.00</b>
<b>-2H4</b>	4" Hub/Spigot Stack, Single Inlet, (2) 4" Side Inlets, 2" Right-Hand Vent	<b>3,492.00</b>	-

SUFFIXES	DESCRIPTION	SINGLE	DOUBLE
<b>-A</b>	Auxiliary Support Assembly (Required For P-Dim. Greater than 18")	<b>1,179.00</b>	<b>2,351.00</b>
<b>-B</b>	Blowout Type Fixture Support	<b>N/C</b>	<b>N/C</b>
<b>-CC</b>	Corrosion Resistant Cast Iron Coupling (6" to 12")	<b>N/C</b>	<b>N/C</b>
<b>-CL</b>	Custom length greater than 12"- Per Inch (Specify Length)	<b>144.00</b>	<b>281.00</b>
<b>-JL</b>	2" Left-Hand Auxiliary Inlet	<b>500.00</b>	<b>500.00</b>
<b>-JR</b>	2" Right-Hand Auxiliary Inlet	<b>500.00</b>	<b>500.00</b>
<b>-M</b>	Auxiliary Foot Support (Required For P-Dim. 10" thru 18")	<b>446.00</b>	<b>885.00</b>
ⓐ <b>-PF</b>	Pre-Fab Foot	<b>N/C</b>	<b>N/C</b>
ⓑ <b>-PS</b>	Pre-Fab Slotted Foot	<b>N/C</b>	<b>N/C</b>
ⓒ <b>-RYK</b>	Unistrut Pre-Fab Foot	<b>N/C</b>	<b>N/C</b>
<b>-VP</b>	Vandal-Proof Trim	<b>192.00</b>	<b>371.00</b>
<b>-X3</b>	3" Foot Extension Assembly	<b>125.00</b>	<b>245.00</b>
<b>-X4</b>	4" Foot Extension Assembly	<b>160.00</b>	<b>313.00</b>
ⓓ <b>-45</b>	Finishing Frame for Siphon Jet System (For Blowout System specify -45-B)	<b>119.00</b>	<b>230.00</b>
ⓔ <b>-50</b>	Flush Valve Supply Support for Water Closet (Previously Z1210-50)	<b>125.00</b>	<b>245.00</b>
DEDUCT			
<b>-F</b>	Floor Mounted, Back Outlet Fixture Support	<b>(219.00)</b>	<b>(433.00)</b>

Z1204-HD (Double)



Items designated as Best Sellers are most specified and are generally in stock for shipment.  
 ⓐ This symbol denotes a product that is engineered to reduce installation and rework time.  
 For Additional System Tools See "Z1200 Carrier Tools and Accessories" on page 196

\*Regularly furnished unless otherwise specified.  
 For additional product information, please visit [www.zurn.com](http://www.zurn.com) | [Patent.zurn.com/patents](http://Patent.zurn.com/patents)



# Z1204-N ADJUSTABLE VERTICAL SIPHON JET – NO-HUB SERIES



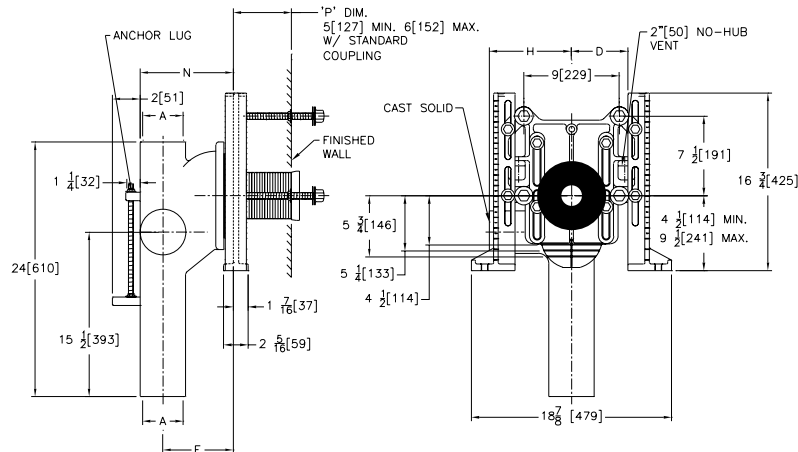
## ENGINEERING SPECIFICATION

Zurn Z1204-( ) adjustable, vertical siphon jet water closet provides rigid system with ( ) size no-hub connections and ( ) side inlets. Comes complete with Dura-Coated cast iron, right-hand, left-hand, or double main fitting, 2" vent, adjustable, gasketed faceplate, universal floor mounted foot supports, corrosion resistant, adjustable polymer coupling with integral test cap, fixture bolts, trim and stud protectors. Includes rear anchor tie down and bonded Neo-Seal gasket.

## NOTES

1. Minimum "P" dimension obtainable = 2".
2. 2" no-hub vent connection regularly furnished on right-hand side. Left hand available when specified (Suffix-VL).
3. Auxiliary inlet available right (-JR) or left (-JL) or both sides (-JJ) when specified.
4. Feet bolted to floor using min. 1/2" diameter bolts and back slots on carrier feet.
5. Back anchor foot required for secure installation. (For single carrier only)

Product Number	Dimensions in inches [mm]						Approximate Weight lb [kg]	Notes
	A	B	D	E	H	N		
Z1204-N4	4 [102]		5 [127]	6-5/8 [168]	5-1/2 [140]	8-7/8 [225]	80 [36]	2" no-hub vent connection regularly furnished on right-hand side. Left hand available when specified (-VL). 2" auxiliary inlet available right (-JR) or left (-JL), or both side(-JJ) when specified
Z1204-ND4	4 [102]		5 [127]	6-5/8 [168]	5-1/2 [140]	13-1/4 [337]	134 [61]	
Z1204-INL4	4 [102]	4 [102]	5 [127]	6-5/8 [168]	5-1/2 [140]	8-7/8 [225]	85 [39]	2" no-hub vent located on same side as 3", 4" side inlet 2" no-hub auxiliary inlet located opposite 3", 4" side inlet when specified. (-JL or -JR)
Z1204-INR4								
Z1204-INL43		3 [76]						
Z1204-INR43								
Z1204-IND4	4 [102]	4 [102]	5 [127]	6-5/8 [168]	5-1/2 [140]	13-1/4 [337]	137 [62]	One 4" side inlet as indicated 2" no-hub auxiliary inlet located opposite 4" side inlet when specified
Z1204-IND43		3 [76]						
Z1204-2N4	4 [102]	4 [102]	5 [127]	6-5/8 [168]	5-1/2 [140]	8-7/8 [225]	88 [40]	2" no-hub vent connection regularly furnished on right side. Left-hand available when specified (-VL)
Z1204-2N43		3 [76]						
Z1204-2ND4	4 [102]	4 [102]	5 [127]	6-5/8 [168]	5-1/2"	13-1/4 [337]	139 [63]	Two 3", 4" side inlets as indicated
Z1204-2ND43		3 [76]						



Z1204-N (Single)

\*Regularly furnished unless otherwise specified.

For additional product information, please visit [www.zurn.com](http://www.zurn.com) | Patent [zurn.com/patents](http://zurn.com/patents)

Items designated as Best Sellers are most specified and are generally in stock for shipment.

Ⓢ This symbol denotes a product that is engineered to reduce installation and rework time.

For Additional System Tools See "Z1200 Carrier Tools and Accessories" on page 196

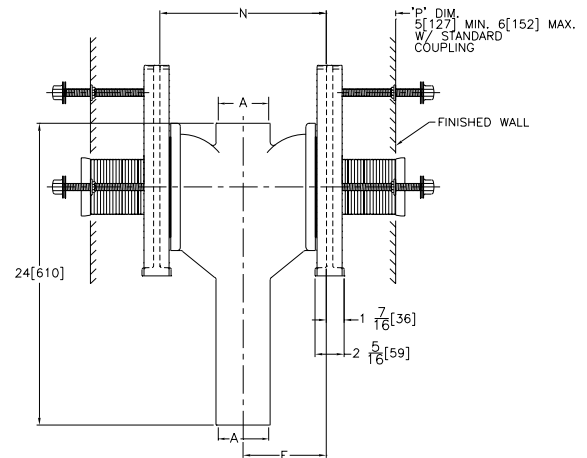
# Z1204-N ADJUSTABLE VERTICAL SIPHON JET – NO-HUB SERIES

PREFIXES	DESCRIPTION	SINGLE	DOUBLE
<b>Z1204*</b>	D.C.C.I. System with 4" Adjustable Coupling	<b>See Fitting Type for Pricing</b>	
<b>ZQ1204</b>	D.C.C.I. System with NPT Faceplate Non-Adjustable Coupling	<b>for Pricing</b>	
FITTING TYPE			
<b>-N4</b>	4" No-Hub Stack, Single Inlet, 2" Right-Hand Vent	2,453.00	-
<b>-ND4</b>	4" No-Hub Stack, Double Inlet, 2" Vent	-	4,338.00
<b>-INL4</b>	4" No-Hub Stack, Single Inlet, (1) 4" Left-Hand Side Inlet, 2" Left-Hand Vent	2,877.00	-
<b>-INR4</b>	4" No-Hub Stack, Single Inlet, (1) 4" Right-Hand Side Inlet, 2" Right-Hand Vent	2,877.00	-
<b>-INL43</b>	4" No-Hub Stack, Single Inlet, (1) 3" Left-Hand Side Inlet, 2" Left-Hand Vent	2,877.00	-
<b>-INR43</b>	4" No-Hub Stack, Single Inlet, (1) 3" Right-Hand Side Inlet, 2" Right-Hand Vent	2,877.00	-
<b>-IND4</b>	4" No-Hub Stack, Double Inlet, (1) 4" Side Inlet, 2" Vent	-	4,743.00
<b>-IND43</b>	4" No-Hub Stack, Double Inlet, (1) 3" Side Inlet, 2" Vent	-	4,743.00
<b>-2N4</b>	4" No-Hub Stack, Single Inlet, (2) 4" Side Inlets, 2" Right-Hand Vent	3,293.00	-
<b>-2N43</b>	4" No-Hub Stack, Single Inlet, (2) 3" Side Inlets, 2" Right-Hand Vent	3,293.00	-
<b>-2ND4</b>	4" No-Hub Stack, Double Inlets, (2) 4" Side Inlets, 2" Vent	-	5,164.00
<b>-2ND43</b>	4" No-Hub Stack, Double Inlets, (2) 3" Side Inlets, 2" Vent	-	5,164.00

SUFFIXES	DESCRIPTION	SINGLE	DOUBLE
<b>-A</b>	Auxiliary Support Assembly (Required For P-Dim. Greater than 18")	1,179.00	2,351.00
<b>-B</b>	Blowout Type Fixture Support	N/C	N/C
<b>-CC</b>	Corrosion Resistant Cast Iron Coupling (6" to 12")	N/C	N/C
<b>-CL</b>	Custom length greater than 12"- Per Inch (Specify Length)	144.00	281.00
<b>-JL</b>	2" Left-Hand Auxiliary Inlet	500.00	500.00
<b>-JR</b>	2" Right-Hand Auxiliary Inlet	500.00	500.00
<b>-M</b>	Auxiliary Foot Support (Required For P-Dim. 10" thru 18")	446.00	885.00
<b>-VP</b>	Vandal-Proof Trim	192.00	371.00
<b>-X3</b>	3" Foot Extension Assembly	125.00	245.00
<b>-X4</b>	4" Foot Extension Assembly	160.00	313.00
ⓐ <b>-45</b>	Finishing Frame for Siphon Jet System (For Blowout System specify -45-B)	119.00	230.00
ⓑ <b>-50</b>	Flush Valve Supply Support for Water Closet (Previously Z1210-50)	125.00	245.00

DEDUCT	
<b>-F</b>	Floor Mounted, Back Outlet Fixture Support (219.00) (433.00)
BEST SELLERS	
Z1204-1-ND4	4,743.00
Z1204-1-NL4	2,877.00
Z1204-N4	2,453.00
Z1204-ND4	4,338.00

Z1204-ND (Double)



Items designated as Best Sellers are most specified and are generally in stock for shipment.  
 ⓐ This symbol denotes a product that is engineered to reduce installation and rework time.  
 For Additional System Tools See "Z1200 Carrier Tools and Accessories" on page 196

\*Regularly furnished unless otherwise specified.  
 For additional product information, please visit [www.zurn.com](http://www.zurn.com) | [Patent.zurn.com/patents](http://Patent.zurn.com/patents)

# Z1207-N ADJUSTABLE HORIZONTAL HIGH ROUGH-IN SIPHON JET – NO-HUB



## ENGINEERING SPECIFICATION

Zurn Z1207-N( ) adjustable, horizontal, high rough-in siphon jet water closet provides a rigid system with 4" size no-hub connections. Comes complete with Dura-Coated cast iron right-hand, left-hand, or double main fitting, with 2" vent, adjustable gasketed faceplate, universal floor mounted foot supports, corrosion resistant adjustable ABS coupling with integral test cap, fixture bolts, trim, and stud protectors. Rear anchor tie down and bonded "Neo-Seal" gasket.

## NOTES

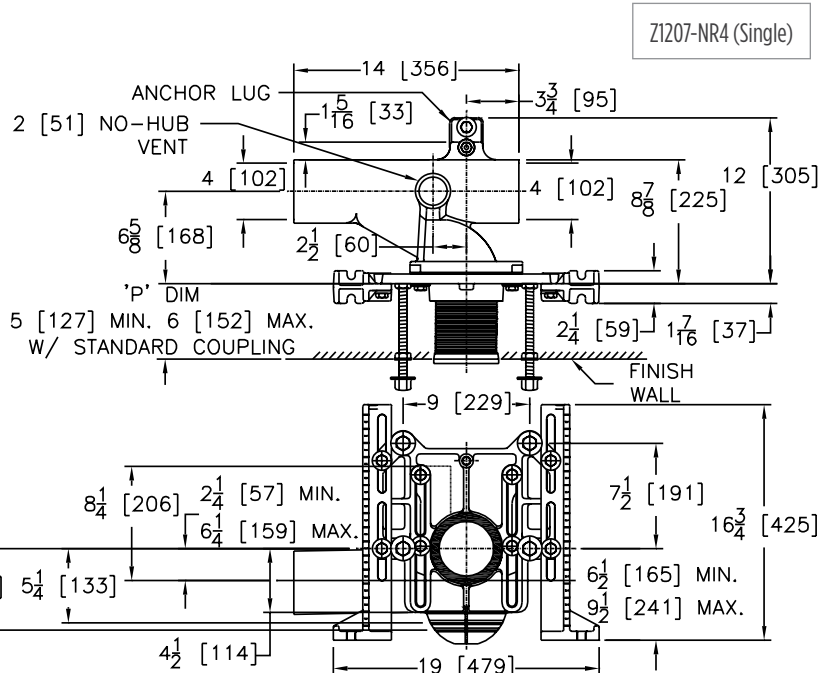
1. 13-1/2" minimum space required between front of foot and rear of anchor to install Z1207-N4 Series.
2. Minimum "P" dimension obtainable = 2".
3. Feet anchored to floor using minimum 1/2" diameter anchors through rear slots on carrier feet.
4. Rear anchor foot required for secure installation.



Z1200-CPLGWRNCH-4

Product Number	Approximate Weight lb [kg]
Z1207-NL4	87 [39]
Z1207-NR4	87 [39]
Z1207-ND4	115 [52]

PREFIXES	DESCRIPTION	SINGLE	DOUBLE
Z1207*	D.C.C.I. System with 4" Adjustable Coupling	See Fitting Type for Pricing	
ZQ1207	D.C.C.I. System with NPT Faceplate Non-Adjustable Coupling	See Fitting Type for Pricing	
FITTING TYPE			
-NR4	4" No-Hub Right-Hand Inlet with Flow to Left	2,167.00	-
-NL4	4" No-Hub Left-Hand Inlet with Flow to Right	2,167.00	-
-ND4	4" No-Hub Back-to-Back Inlet (Double)	-	4,051.00
SUFFIXES		ADD	
-A	Auxiliary Support Assembly (Required For P-Dim. Greater than 18")	1,179.00	2,351.00
-B	Blowout Type Fixture Support	N/C	N/C
-CC	Corrosion Resistant Cast Iron Coupling (6" to 12")	N/C	N/C
-CL	Custom length greater than 12" - Per Inch (Specify Length)	144.00	281.00
-M	Auxiliary Foot Support (Required For P-Dim. 10" thru 18")	446.00	885.00
-VP	Vandal-Proof Trim	192.00	371.00
-X3	3" Foot Extension Assembly	125.00	245.00
-X4	4" Foot Extension Assembly	160.00	313.00
ⓐ	-45 Finishing Frame for Siphon Jet System (For Blowout System specify -45-B)	119.00	230.00
ⓑ	-50 Flush Valve Supply Support for Water Closet (Previously Z1210-50)	125.00	245.00
		DEDUCT	
-F	Floor Mounted, Back Outlet Fixture Support	(219.00)	(433.00)



\*Regularly furnished unless otherwise specified.

For additional product information, please visit [www.zurn.com](http://www.zurn.com) | Patent [zurn.com/patents](http://zurn.com/patents)

Items designated as Best Sellers are most specified and are generally in stock for shipment.

ⓐ This symbol denotes a product that is engineered to reduce installation and rework time.

For Additional System Tools See "Z1200 Carrier Tools and Accessories" on page 196

# Z1208-N VERTICAL SIPHON JET WATER CLOSET SUPPORT SYSTEM – NO-HUB

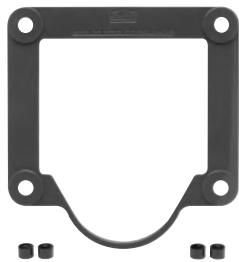


## ENGINEERING SPECIFICATION

Zurn Z1208-N( ) vertical siphon jet water closet provides a rigid system with ( ) size no-hub connections. Comes complete with Dura-Coated cast iron main fitting, separable faceplate rigidly mounted on fitting, universal floor mounted foot supports, corrosion resistant adjustable polymer coupling with integral test cap, fixture bolts, trim, and stud protectors. Includes rear anchor tie down, and bonded Neo-Seal gasket.

## NOTES

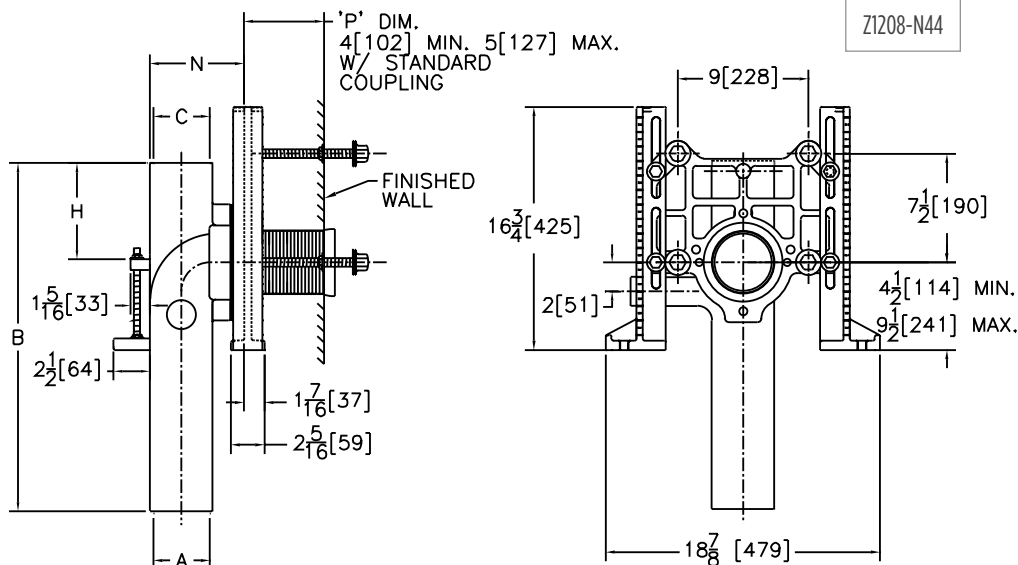
1. Minimum "P" dimension obtainable = 2".
2. Feet anchored to floor using minimum 1/2" diameter anchors through rear slots on carrier feet.
3. Rear anchor foot required for secure installation.



Z1200-FINFRAME-SJ

Product Number	Dimensions in inches [mm]					Approximate Weight lb [kg]
	A	B	C	H	N	
Z1208-N32	3 [76]	18 [457]	2 [51]	4-3/8 [111]	6-1/4 [159]	60 [27]
Z1208-N42	4 [102]	24 [610]		4-7/8 [124]	6-5/8 [168]	70 [32]
Z1208-N44			4 [102]	6-1/2 [165]		72 [33]

PREFIXES	DESCRIPTION	
<b>Z1208*</b>	D.C.C.I. System with 4" Adjustable Coupling	<b>See Fitting Type for Pricing</b>
FITTING TYPE		
<b>-N32</b>	3" No-Hub, 2" No-Hub Vent	<b>1,952.00</b>
<b>-N42</b>	4" No-Hub, 2" No-Hub Vent	<b>1,952.00</b>
<b>-N44</b>	4" No-Hub, 4" No-Hub Vent	<b>1,952.00</b>
SUFFIXES		ADD
<b>-A</b>	Auxiliary Support Assembly (Required For P-Dim. Greater than 18")	<b>1,179.00</b>
<b>-B</b>	Blowout Type Fixture Support	<b>N/C</b>
<b>-CC</b>	Corrosion Resistant Cast Iron Coupling (6" to 12")	<b>N/C</b>
<b>-CL</b>	Custom length greater than 12" - Per Inch (Specify Length)	<b>144.00</b>
<b>-JJ</b>	Two 2" Auxiliary Inlets	<b>991.00</b>
<b>-JL</b>	2" Left-Hand Auxiliary Inlet	<b>500.00</b>
<b>-JR</b>	2" Right-Hand Auxiliary Inlet	<b>500.00</b>
<b>-M</b>	Auxiliary Foot Support (Required For P-Dim. 10" thru 18")	<b>446.00</b>
<b>-VP</b>	Vandal-Proof Trim	<b>192.00</b>
<b>-X3</b>	3" Foot Extension Assembly	<b>125.00</b>
<b>-X4</b>	4" Foot Extension Assembly	<b>160.00</b>
ⓐ <b>-45</b>	Finishing Frame for Siphon Jet System (For Blowout System specify -45-B)	<b>119.00</b>
ⓑ <b>-50</b>	Flush Valve Supply Support for Water Closet	<b>125.00</b>
		DEDUCT
<b>-F</b>	Floor Mounted, Back Outlet Fixture Support	<b>(219.00)</b>
BEST SELLERS		LIST PRICE
Z1208-N32		<b>1,952.00</b>
Z1208-N42		<b>1,952.00</b>
Z1208-N44		<b>1,952.00</b>



Items designated as Best Sellers are most specified and are generally in stock for shipment.  
 ⓐ This symbol denotes a product that is engineered to reduce installation and rework time.  
 For Additional System Tools See "Z1200 Carrier Tools and Accessories" on page 196

\*Regularly furnished unless otherwise specified.  
 For additional product information, please visit [www.zurn.com](http://www.zurn.com) | [Patent.zurn.com/patents](http://Patent.zurn.com/patents)

# Z1208-H VERTICAL SIPHON JET WATER CLOSET SUPPORT SYSTEM – HUB AND SPIGOT



## ENGINEERING SPECIFICATION

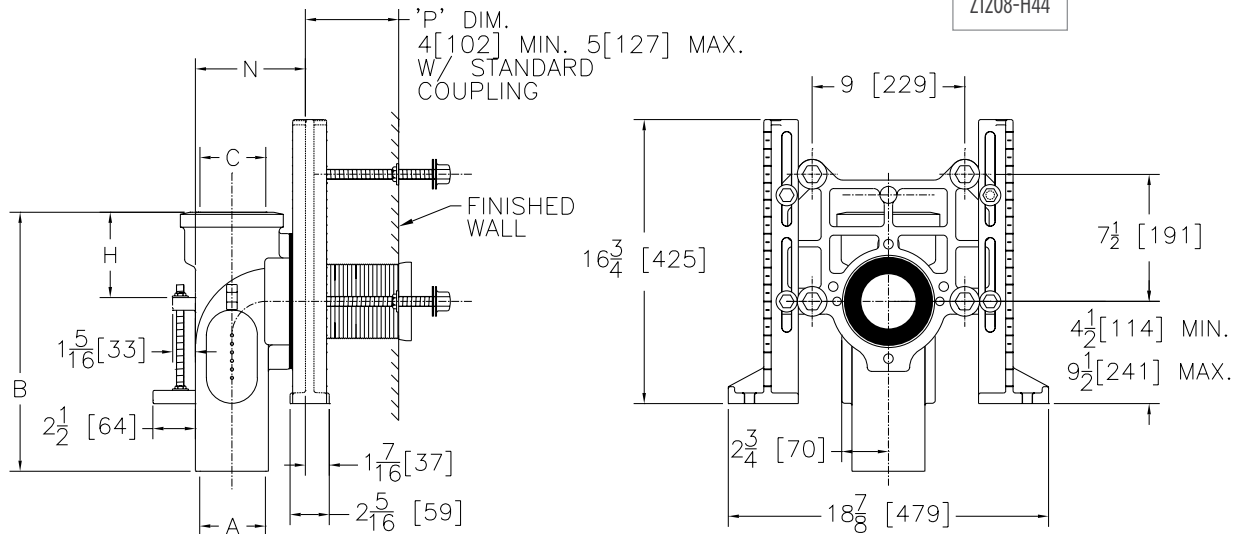
Zurn Z1208-H( ) vertical siphon jet water closet provides a rigid system with ( ) size hub and spigot connections. Comes complete with Dura-Coated cast iron main fitting, separable faceplate rigidly mounted on fitting, universal floor mounted foot supports, corrosion resistant adjustable polymer coupling with integral test cap, fixture bolts, trim, and stud protectors. Includes rear anchor tie down, and bonded Neo-Seal gasket.

## NOTES

1. Minimum "P" dimension obtainable = 2".
2. Feet anchored to floor using minimum 1/2" diameter anchors through rear slots on carrier feet.
3. Rear anchor foot required for secure installation.

Product Number	Dimensions in inches [mm]					Approximate Weight lb [kg]
	A	B	C	H	N	
Z1208-H42	4 [102]	14-3/4 [375]	2 [51]	4-3/8 [111]	6-1/4 [159]	60 [27]
Z1208-H44		15-1/4 [387]	4 [102]	4-7/8 [124]	7-5/16 [186]	63 [29]

PREFIXES	DESCRIPTION	See Fitting Type for Pricing
<b>Z1208*</b>	D.C.C.I. System with 4" Adjustable Coupling	
FITTING TYPE		
<b>-H42</b>	4" Spigot, 2" Hub Vent	<b>2,004.00</b>
<b>-H44</b>	4" Spigot, 4" Hub Vent	<b>2,004.00</b>
SUFFIXES		
		ADD
<b>-B</b>	Blowout Type Fixture Support	N/C
<b>-CC</b>	Corrosion Resistant Cast Iron Coupling (6" to 12")	N/C
<b>-CL</b>	Custom length greater than 12" - Per Inch (Specify Length)	<b>144.00</b>
<b>-JJ</b>	Two 2" Auxiliary Inlets	<b>991.00</b>
<b>-JL</b>	2" Left-Hand Auxiliary Inlet	<b>500.00</b>
<b>-JR</b>	2" Right-Hand Auxiliary Inlet	<b>500.00</b>
<b>-M</b>	Auxiliary Foot Support (Required For P-Dim. 10" - 18")	<b>446.00</b>
<b>-VP</b>	Vandal-Proof Trim	<b>192.00</b>
<b>-X3</b>	3" Foot Extension Assembly	<b>125.00</b>
<b>-X4</b>	4" Foot Extension Assembly (Previously Z1210-29)	<b>160.00</b>
Ⓞ <b>-45</b>	Finishing Frame for Siphon Jet System (For Blowout System specify -45-B)	<b>119.00</b>
Ⓞ <b>-50</b>	Flush Valve Supply Support for Water Closet	<b>125.00</b>
DEDUCT		
<b>-F</b>	Floor Mounted, Back Outlet Fixture Support	<b>(219.00)</b>



\*Regularly furnished unless otherwise specified.

For additional product information, please visit [www.zurn.com](http://www.zurn.com) | Patent [zurn.com/patents](http://zurn.com/patents)

Items designated as Best Sellers are most specified and are generally in stock for shipment.

Ⓞ This symbol denotes a product that is engineered to reduce installation and rework time.

For Additional System Tools See "Z1200 Carrier Tools and Accessories" on page 196

# Z1209-N VERTICAL OFFSET SIPHON JET WATER CLOSET SUPPORT SYSTEM – NO-HUB



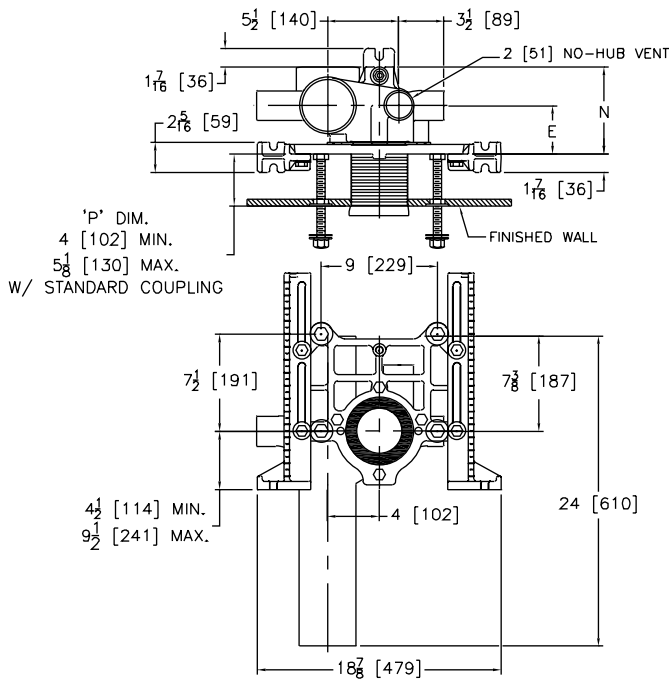
## ENGINEERING SPECIFICATION

Zurn Z1209-N( )4 vertical offset siphon jet water closet provides a rigid system with ( ) size no-hub connections and 2" vent. Comes complete with Dura-Coated cast iron main fitting, universal floor mounted supports, adjustable faceplate, corrosion resistant adjustable polymer coupling with integral test cap, fixture bolts, trim, and stud protectors. Includes rear anchor tie down and bonded Neo-Seal gasket.

## NOTES

1. Minimum "P" dimension obtainable = 2".
2. Feet anchored to floor using minimum 1/2" diameter anchors through rear slots on carrier feet.
3. Rear anchor foot required for secure installation.

Z1209-NR



Product Number	Dimensions in inches [mm]		Approximate Weight lb [kg]
	A	B	
Z1209-NL4	3-3/4 [95]	6-3/4 [171]	67 [30]
Z1209-NR4			
Z1209-ND4	4-1/8 [104]	8-1/4 [210]	109 [49]

PREFIXES	DESCRIPTION	
Z1209*	D.C.C.I. System with 4" Adjustable Coupling	See Fitting Type for Pricing

FITTING TYPE			
-NL4	4" No-Hub Stack, Left-Hand Offset Inlet, 2" Left-Hand Vent	1,935.00	-
-NR4	4" No-Hub Stack, Right-Hand Offset Inlet, 2" Right-Hand Vent	1,935.00	-
-ND4	4" No-Hub Stack, Double Inlet, 2" Vent	-	3,321.00

SUFFIXES		ADD	
-B	Blowout Type Fixture Support	N/C	N/C
-CC	Corrosion Resistant Cast Iron Coupling (6" to 12")	N/C	N/C
-CL	Coupling Length Greater than 12"- Per Inch (Specify Length)	144.00	281.00
-JJ	Two 2" Auxiliary Inlets	991.00	991.00
-JS	Stack Side 2" Auxiliary Inlet	500.00	500.00
-JV	Vent Side 2" Auxiliary Inlet	500.00	500.00
-M	Auxiliary Foot Support (Required for P-Dim. 10" thru 18")	446.00	885.00
ⓐ -PF	Pre-Fab Foot	N/C	N/C
ⓐ -PS	Pre-Fab Slotted Foot	N/C	N/C
ⓐ -RYK	Unistrut Pre-Fab Foot	N/C	N/C
-VP	Vandal-Proof Trim	192.00	371.00
-X3	3" Foot Extension Assembly	125.00	245.00
-X4	4" Foot Extension Assembly	160.00	313.00
ⓐ -45	Finishing Frame for Siphon Jet System (For Blowout System specify -45-B)	119.00	230.00
ⓐ -50	Flush Valve Supply Support for Water Closet (Previously Z1210-50)	125.00	245.00

DEDUCT	
-F	Floor Mounted, Back Outlet Fixture Support (219.00) (433.00)

BEST SELLERS		LIST PRICE
Z1209-ND4-JV		3,821.00
Z1209-NL4		1,935.00
Z1209-NR4		1,935.00

Items designated as Best Sellers are most specified and are generally in stock for shipment.  
 ⓐ This symbol denotes a product that is engineered to reduce installation and rework time.  
 For Additional System Tools See "Z1200 Carrier Tools and Accessories" on page 196

\*Regularly furnished unless otherwise specified.  
 For additional product information, please visit [www.zurn.com](http://www.zurn.com) | Patent [zurn.com/patents](http://zurn.com/patents)

# ZN1209-N VERTICAL OFFSET SIPHON JET – NO-HUB NARROW WALL SYSTEM



## ENGINEERING SPECIFICATION

Zurn ZN1209-N( ) 4 narrow wall vertical offset siphon jet water closet provides a rigid system with 4" size no-hub connection and 2" vent. Comes complete with Dura-Coated cast iron main fitting, separable faceplate rigidly mounted on fitting, universal floor mounted supports, corrosion resistant adjustable ABS coupling with integral test cap, fixture bolts, trim, and stud protectors. Includes rear anchor tie down and bonded Neo-Seal gasket.

## NOTES

1. Feet anchored to floor using minimum 1/2" diameter anchors through rear slots on carrier feet.
2. Rear anchor foot required for secure installation.

Product Number	Approximate Weight lb [kg]
ZN1209-NL4	67 [30]
ZN1209-NR4	
ZN1209-ND4	109 [49]

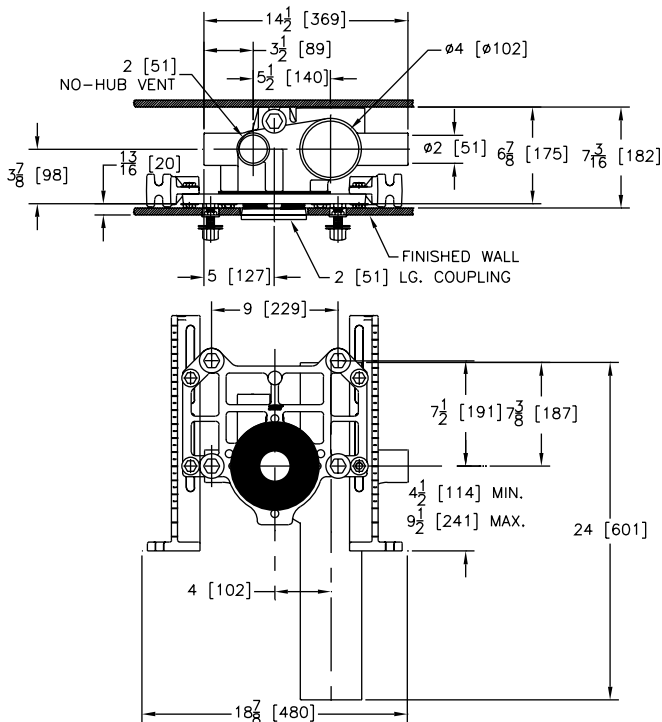
PREFIXES	DESCRIPTION	SINGLE	DOUBLE
<b>ZN1209*</b>	D.C.C.I. System with 4" Adjustable Coupling	<b>See Fitting Type for Pricing</b>	

FITTING TYPE			
<b>-NL4</b>	4" No-Hub Stack, Left-Hand Offset Inlet, 2" Left-Hand Vent	<b>1,935.00</b>	-
<b>-NR4</b>	4" No-Hub Stack, Right-Hand Offset Inlet, 2" Right-Hand Vent	<b>1,935.00</b>	-
<b>-ND4</b>	4" No-Hub Stack, Double Inlet, 2" Vent	-	<b>3,321.00</b>

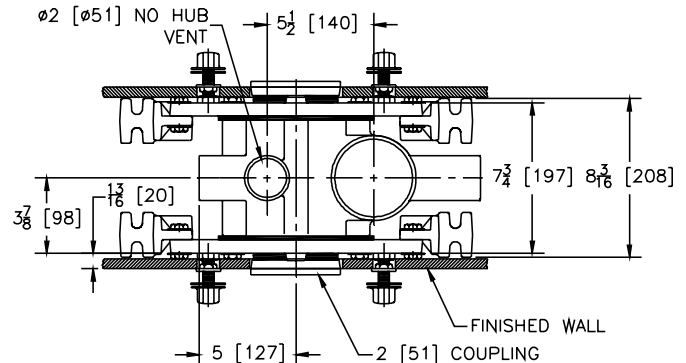
SUFFIXES		ADD	ADD
<b>-B</b>	Blowout Type Fixture Support	N/C	N/C
<b>-CC</b>	Corrosion Resistant Cast Iron Coupling (6" to 12")	N/C	N/C
<b>-JJ</b>	Two 2" Auxiliary Inlets	<b>991.00</b>	<b>991.00</b>
<b>-JS</b>	2" Stack Side Auxiliary Inlet	<b>500.00</b>	<b>500.00</b>
<b>-JV</b>	2" Vent Side Auxiliary Inlet	<b>500.00</b>	<b>500.00</b>
<b>-VP</b>	Vandal-Proof Trim	<b>192.00</b>	<b>371.00</b>
<b>-X3</b>	3" Foot Extension Assembly	<b>125.00</b>	<b>245.00</b>
<b>-X4</b>	4" Foot Extension Assembly	<b>160.00</b>	<b>313.00</b>
Ⓞ <b>-45</b>	Finishing Frame for Siphon Jet System (For Blowout System specify -45-B)	<b>119.00</b>	<b>230.00</b>
Ⓞ <b>-50</b>	Flush Valve Supply Support for Water Closet (Previously Z1210-50)	<b>125.00</b>	<b>245.00</b>

BEST SELLERS	LIST PRICE
ZN1209-ND4	<b>3,321.00</b>
ZN1209-NL4	<b>1,935.00</b>
ZN1209-NL4-JS	<b>2,435.00</b>
ZN1209-NR4	<b>1,935.00</b>

ZN1209-NL4 (Single)



ZN1209-ND4 (Double)



\*Regularly furnished unless otherwise specified.

For additional product information, please visit [www.zurn.com](http://www.zurn.com) | Patent [zurn.com/patents](http://zurn.com/patents)

Items designated as Best Sellers are most specified and are generally in stock for shipment.

Ⓞ This symbol denotes a product that is engineered to reduce installation and rework time.

For Additional System Tools See "Z1200 Carrier Tools and Accessories" on page 196

# Z1212 WALL CLOSET SUPPORT SYSTEM



## ENGINEERING SPECIFICATION

Zurn Z1212 Dura-Coated cast iron wall closet support system comes complete with adjustable faceplate rigidly mounted on reversible foot supports, ABS coupling with integral test cap, fixture bolts, trim, stud protectors, and bonded Neo-Seal gasket.

## NOTES

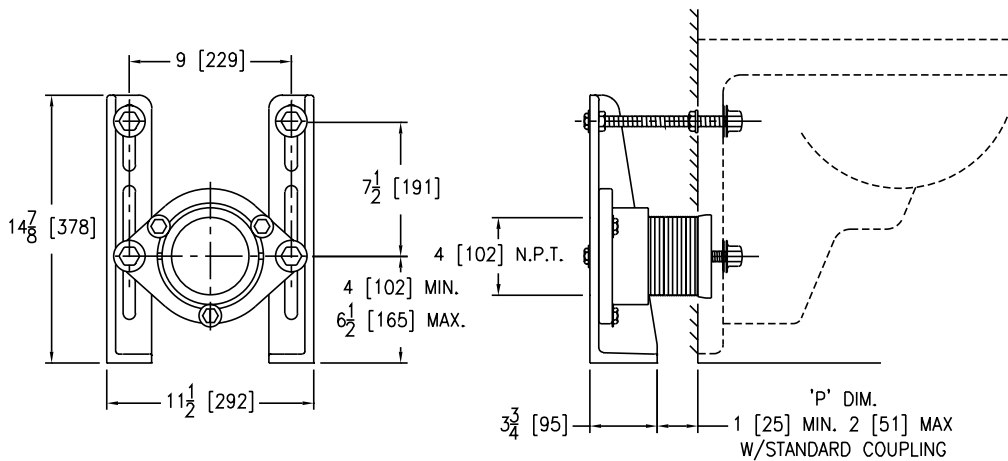
1. For plastic pipe installation, use male thread by socket adaptor – DO NOT THREAD PLASTIC PIPE. (Per ASTM Specification #D2665 X1.6.1.)
2. Piping must be rigidly secured to prevent deflection (by others).

Product Number	Approximate Weight lb [kg]
Z1212	30 [14]

PREFIXES	DESCRIPTION	PIPE SIZE	LIST PRICE
<b>Z1212</b>	D.C.I. System with 6" Adjustable Coupling	<b>4"</b>	<b>1,179.00</b>

SUFFIXES	DESCRIPTION	LIST PRICE
-B	Adapter for Blowout Type Fixture Support	N/C
-CL	Custom length greater than 12" - Per Inch (Specify Length)	144.00
-F	Floor Mounted, Back Outlet Fixture Support	219.00
-VP	Vandal-Proof Finish Trim	192.00
-X4	4" Foot Extension Assembly	160.00
Ⓢ -45	Finishing Frame for Siphon Jet System (For Blowout System specify -45-B)	119.00

BEST SELLERS	LIST PRICE
Z1212-B	1,179.00
Z1212-F	1,393.00



Items designated as Best Sellers are most specified and are generally in stock for shipment.

Ⓢ This symbol denotes a product that is engineered to reduce installation and rework time.

For Additional System Tools See "Z1200 Carrier Tools and Accessories" on page 196

\*Regularly furnished unless otherwise specified.

For additional product information, please visit [www.zurn.com](http://www.zurn.com) | Patent [zurn.com/patents](http://zurn.com/patents)



## Z1213-N 4" VERTICAL SIPHON JET WATER CLOSET SUPPORT SYSTEM – 2" OR 4" TOP VENT CLOSET FITTING ONLY (NO SUPPORT)



### ENGINEERING SPECIFICATION

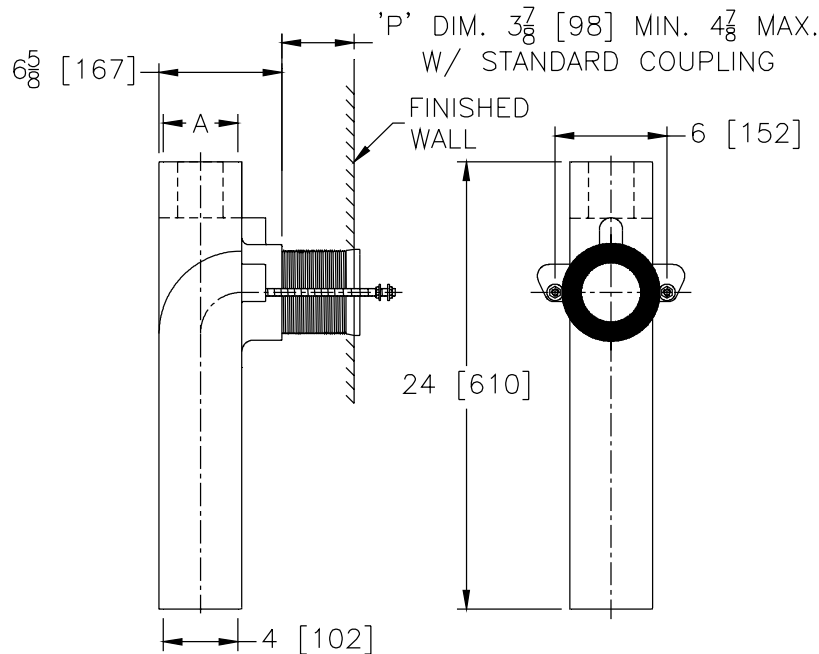
Zurn Z1213-N4( ) vertical siphon jet water closet provides a rigid system with 4" No-Hub connection and 2" or 4" (specify) top vent connection. Comes complete with Dura-Coated cast iron main fitting, corrosion-resistant, adjustable ABS coupling with integral test cap, bolt kit, and bonded Neo-Seal gasket for floor mounted back outlet water closet. Standard fixture support is not required.

### NOTES

Minimum "P" dimension obtainable = 1-1/4" [32].

Product Number	A Vent Size	Approximate Weight lb [kg]
Z1213-N42	2 [51]	19 [9]
Z1213-N44	4 [102]	

PREFIXES	DESCRIPTION	"A" VENT SIZE	LIST PRICE
Z1213*	D.C.C.I. System with 4" Adjustable Coupling	2"	See Fitting Type for Pricing
FITTING TYPE			
-N42	4" No-Hub, 2" No-Hub Vent		1,990.00
-N44	4" No-Hub, 4" No-Hub Vent		1,990.00
SUFFIXES			
-CC	Corrosion Resistant Cast Iron Coupling - 6" thru 12" long (Cannot be used with -CL)		N/C
-CL	Coupling Length Greater than 12" - Per inch (Cannot be used with -CC)		144.00
BEST SELLER			LIST PRICE
Z1213-N42			1,990.00



## Z1216 90° DOUBLE NO-HUB SYSTEM FOR FLOOR MOUNTED BACK OUTLET WATER CLOSETS



### ENGINEERING SPECIFICATION

Zurn Z1216 Dura-Coated cast iron 90° water closet features double no-hub fitting with anti-crossover baffles and 2" no-hub center vent for floor mounted, back outlet water closets.

Product Number	Approximate Weight lb [kg]
Z1216	31 [14]

PREFIXES	DESCRIPTION	VENT SIZE	LIST PRICE
Z1216*	D.C.C.I. No-Hub System	2"	2,241.00
SUFFIXES			
-J	45° Auxiliary Inlet		500.00

\*Regularly furnished unless otherwise specified.

For additional product information, please visit [www.zurn.com](http://www.zurn.com) | Patent [zurn.com/patents](http://zurn.com/patents)

Items designated as Best Sellers are most specified and are generally in stock for shipment.

Ⓢ This symbol denotes a product that is engineered to reduce installation and rework time.

For Additional System Tools See "Z1200 Carrier Tools and Accessories" on page 196

# Z1217 COUPLING TYPE SYSTEM – WALL URINAL/SERVICE SINK



## ENGINEERING SPECIFICATION

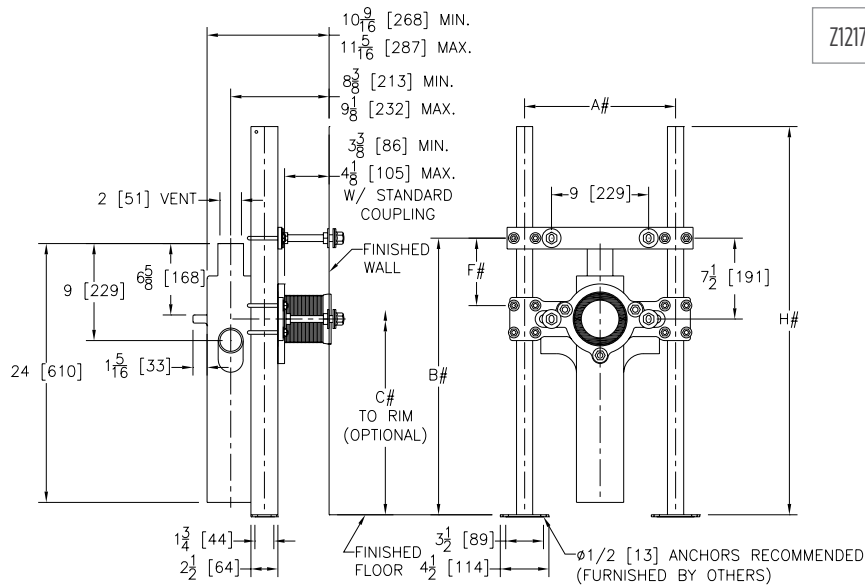
Zurn Z1217 service sink support system with fitting. Complete with Dura-Coated rectangular steel uprights with welded feet, adjustable face plate and upper support plate, Z1208 fitting with 2" vent, corrosion-resistant adjustable ABS coupling with internal test cap, fixture bolts, trim and bonded "Neo-Seal" gasket.

## NOTES

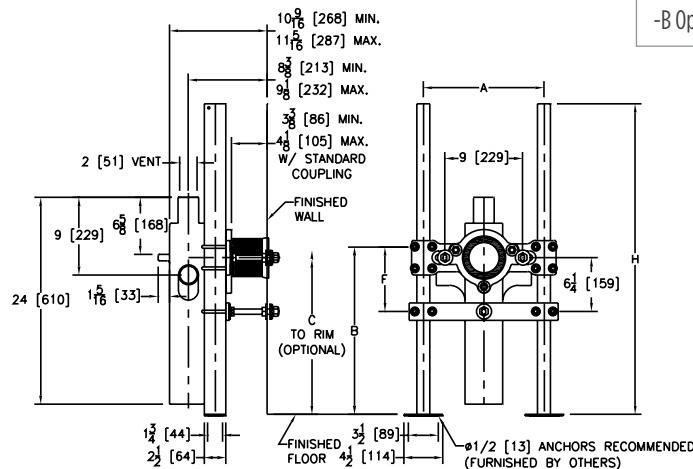
Dimensional data for letter dimensions depends on fixture type and manufacturer. See Zurn Carrier/Fixture Rough-In information at [www.zurn.com](http://www.zurn.com) for specific rough-in dimensions.

Product Number	Outlet inch [mm]	Approximate Weight lb [kg]
Z1217	4 [102]	63 [29]

PREFIXES	DESCRIPTION	VENT SIZE	LIST PRICE
<b>Z1217*</b>	D.C.C.I. No-Hub System with "ZZ" Coupling	2"	<b>1,959.00</b>
SUFFIXES			ADD
<b>-B</b>	Blow-Out Type Fixture Support		<b>N/C</b>
<b>-CC</b>	Corrosion Resistant 6" Long Cast Iron Coupling		<b>N/C</b>
<b>-CL</b>	Custom length greater than 6" - Per Inch (Specify Length)		<b>87.00</b>
<b>-F4</b>	Z1208 Fitting with 4" Vent		<b>N/C</b>
<b>-F32</b>	3" Z1208 Fitting with 4" Vent		<b>N/C</b>
<b>-VP</b>	Vandal-Proof Trim		<b>183.00</b>
<b>-WS</b>	Wall Support Valve Plate (Specify Valve Name and Number)		<b>209.00</b>
BEST SELLERS			LIST PRICE
Z1217-B			<b>1,959.00</b>
Z1217-B-F32			<b>1,959.00</b>
Z1217-F2			<b>1,959.00</b>



# REFER TO ROUGH-IN GUIDE OF SPECIFIC FIXTURE FOR DIMENSION



-B Option Shown

Items designated as Best Sellers are most specified and are generally in stock for shipment.

⌚ This symbol denotes a product that is engineered to reduce installation and rework time.

For Additional System Tools See "Z1200 Carrier Tools and Accessories" on page 196

\*Regularly furnished unless otherwise specified.

For additional product information, please visit [www.zurn.com](http://www.zurn.com) | Patent [zurn.com/patents](http://zurn.com/patents)

INTRO  
ROOF DRAINS  
FLOOR DRAINS  
I, P, BW VALVES  
INTERCEPTORS  
CARRIERS  
HYDRANTS  
CLEANOUTS  
WHA  
SS DRAINS  
SANI-FLOOR  
TECH INFO

# Z1218 COUPLING TYPE SYSTEM – WALL URINAL/SERVICE SINK



## ENGINEERING SPECIFICATION

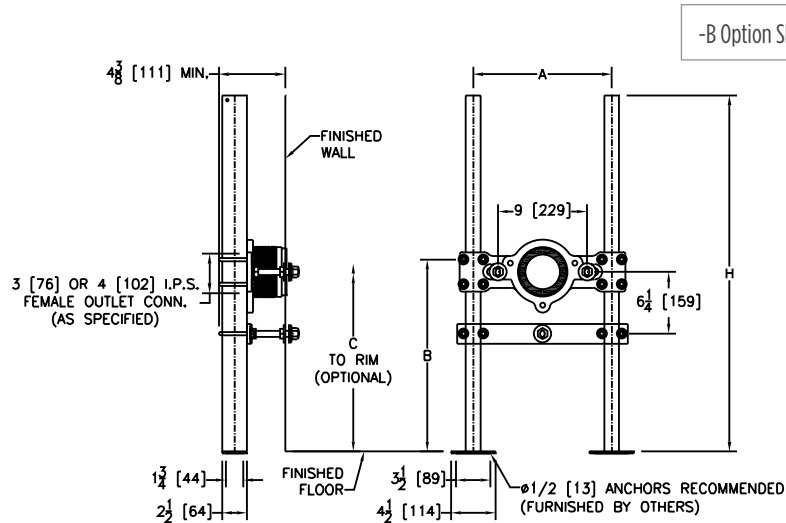
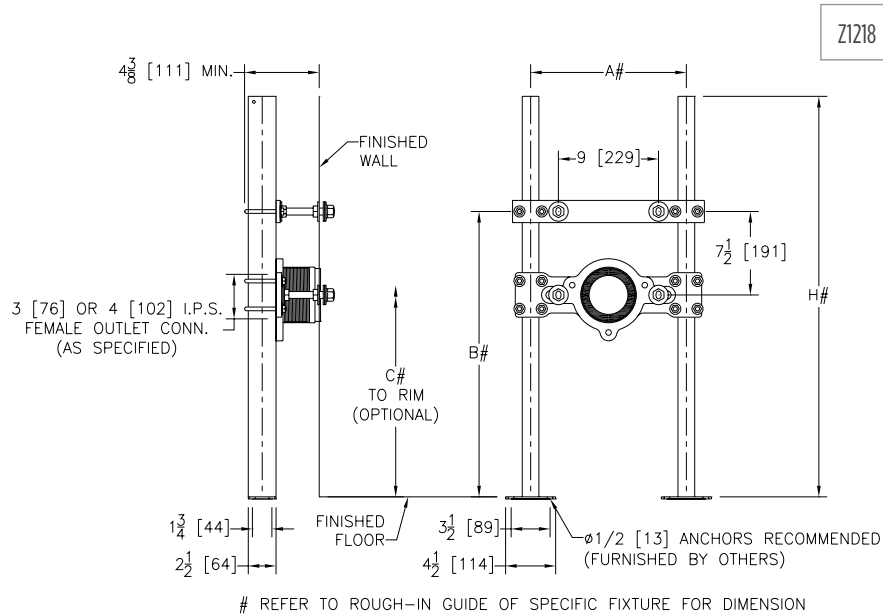
Zurn Z1218 service sink support system comes complete with Dura-Coated rectangular steel uprights with welded feet, adjustable faceplate and upper support plate, adjustable corrosion-resistant coupling, fixture bolts, trim, and bonded Neo-Seal gasket.

## NOTES

Dimensional data for letter dimensions depends on fixture type and manufacturer. See Zurn Carrier/Fixture Rough-In information at [www.zurn.com](http://www.zurn.com) for specific rough-in dimensions.

Product Number	Outlet inch [mm]	Approximate Weight lb [kg]
Z1218	3 [76], 4 [102]	63 [29]

PREFIXES	DESCRIPTION	LIST PRICE
Z1218*	Dura-Coated System with Adjustable Coupling	1,635.00
SUFFIXES	ADD	
-B	Blow-Out Type Fixture Support	N/C
-VP	Vandal-Proof Trim	183.00
-WS	Wall Support Valve Plate (Specify Valve Name and Number)	209.00
BEST SELLERS	LIST PRICE	
Z1218-3	1,635.00	
Z1218-3IP-B	1,635.00	
Z1218-4	1,635.00	
Z1218-4IP-B	1,635.00	



\*Regularly furnished unless otherwise specified.

For additional product information, please visit [www.zurn.com](http://www.zurn.com) | Patent [zurn.com/patents](http://zurn.com/patents)

Items designated as Best Sellers are most specified and are generally in stock for shipment.

Ⓢ This symbol denotes a product that is engineered to reduce installation and rework time.

For Additional System Tools See "Z1200 Carrier Tools and Accessories" on page 196

## Z1221 PLATE TYPE SYSTEM – WALL URINALS



### ENGINEERING SPECIFICATION

Zurn Z1221 wall urinal support system with top support plate comes complete with Dura-Coated rectangular steel uprights with welded feet, adjustable support plate, and mounting fasteners.

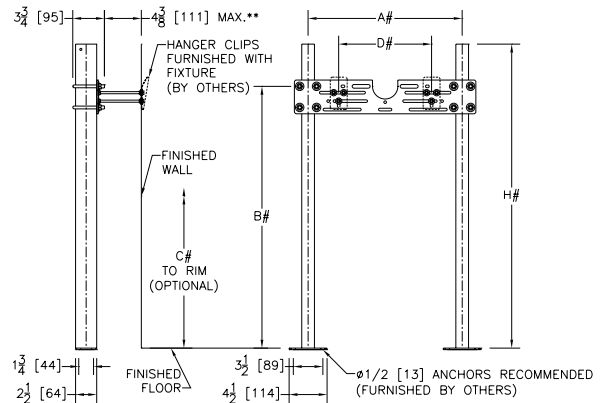
### NOTES

Dimensional data for letter dimensions depends on fixture type and manufacturer. See Zurn Carrier/Fixture Rough-In information at [www.zurn.com](http://www.zurn.com) for specific rough-in dimensions.

BEST SELLERS	LIST PRICE
Z1221-UNIV	1,026.00
Z1221-UNIV-42	1,026.00
Z1221-UNIV-48	1,026.00

Product Number	Approximate Weight lb [kg]
Z1221	28 [13]

PREFIXES	DESCRIPTION	SINGLE	DOUBLE
Z1221*	Dura-Coated System with Universal Plate	1,026.00	1,357.00
SUFFIXES		ADD	
ⓐ -EZ	Easy-to-Install Assembly	355.00	702.00
-58	Flush Valve Supply Support	125.00	245.00



\*\* WITH STANDARD STUD LENGTH OF 6 [152]  
# REFER TO ROUGH-IN GUIDE OF SPECIFIC FIXTURE FOR DIMENSIONS

## Z1222 PLATE TYPE SYSTEM – WITH BEARING PLATE



### ENGINEERING SPECIFICATION

Zurn Z1222 wall urinal support system comes complete with Dura-Coated carbon structural steel rectangular tubing uprights, conforming to ASTM A500 Grade C, with welded base feet having slotted floor anchor holes. Lower bearing plate is vertically adjustable with slot to accommodate bearing jack placement. Upper Universal hanger plate is pre-notched for back spud inlet and designed for various hardware positions and fixtures. Includes mounting fasteners and hardware.

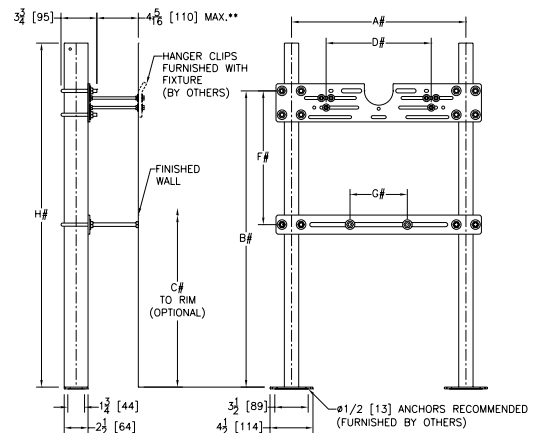
### NOTES

Dimensional data for letter dimensions depends on fixture type and manufacturer. See Zurn Carrier/Fixture Rough-In information at [www.zurn.com](http://www.zurn.com) for specific rough-in dimensions.

BEST SELLERS	LIST PRICE
Z1222-UNIV	1,147.00
Z1222-UNIV-42	1,147.00
Z1222-(See Carrier Code Book)	POA

Product Number	Approximate Weight lb [kg]
Z1222	30 [14]

PREFIXES	DESCRIPTION	SINGLE	DOUBLE
Z1222*	Dura-Coated System with Universal Plate	1,147.00	1,598.00
SUFFIXES		ADD	
ⓐ -EZ	Easy-to-Install Assembly	355.00	702.00
ⓑ -UA	Urinal Adapter	256.00	508.00
-58	Flush Valve Supply Support	125.00	245.00



\*\*WITH STANDARD STUD LENGTH OF 6 [152]  
# REFER TO ROUGH-IN GUIDE OF SPECIFIC FIXTURE FOR DIMENSION

## Z1223 PLATE TYPE SYSTEM – TROUGH URINALS

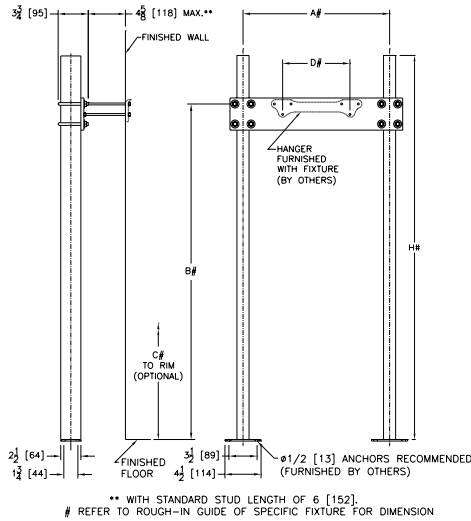


### ENGINEERING SPECIFICATION

Zurn Z1223 lavatory support system with top support plate comes complete with Dura-Coated rectangular steel uprights with welded feet, adjustable support plate, and mounting fasteners.

### NOTES

Dimensional data for letter dimensions depends on fixture type and manufacturer. See Zurn Carrier/Fixture Rough-In information at [www.zurn.com](http://www.zurn.com) for specific rough-in dimensions.



Z1223 (Single)

\*\* WITH STANDARD STUD LENGTH OF 6 [152].  
# REFER TO ROUGH-IN GUIDE OF SPECIFIC FIXTURE FOR DIMENSION

Product Number	Approximate Weight lb [kg]
Z1223	33 [15]

PREFIXES	DESCRIPTION	LIST PRICE
Z1223*	Dura-Coated System with Support Plate	2,622.00
SUFFIXES	ADD	
-1	Longer Urinal (For Ea. 1' over 5') Per Foot	533.00
-2	Bearing Plate Assembly	247.00

## Z1224 PLATE TYPE SYSTEM – LAVATORY WITH BACK

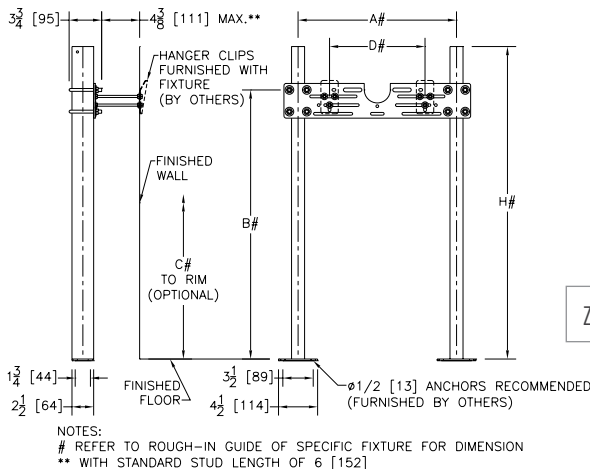


### ENGINEERING SPECIFICATION

Zurn Z1224 lavatory support system with top support plate comes complete with Dura-Coated rectangular steel uprights with welded feet, adjustable support plate, and mounting fasteners.

### NOTES

Dimensional data for letter dimensions depends on fixture type and manufacturer. See Zurn Carrier/Fixture Rough-In information at [www.zurn.com](http://www.zurn.com) for specific rough-in dimensions.



Z1224 (Single)

NOTES:  
# REFER TO ROUGH-IN GUIDE OF SPECIFIC FIXTURE FOR DIMENSION  
\*\* WITH STANDARD STUD LENGTH OF 6 [152]

Product Number	Approximate Weight lb [kg]
Z1224	28 [13]
Z1224-D	52 [24]

PREFIXES	DESCRIPTION	SINGLE	DOUBLE
Z1224*	Dura-Coated System with Universal Plate	1,026.00	-
Z1224-D	Back-to-Back System	-	1,357.00
SUFFIXES	ADD		
Ⓞ -CB	Carrier Bank (Per Each)	POA	POA
-D	Back-to-Back System	See Prefix Z1224-D	
Ⓞ -EZ	Easy-to-Install Assembly	355.00	702.00
-SL	Stud Length Over 6" - Per Inch (Specify Length)	76.00	147.00
-WS	Wall Support Valve Plate (Specify Valve Name and Number)	209.00	415.00
-2	Bearing Plate Assembly	129.00	251.00
BEST SELLERS		LIST PRICE	
Z1224-75-DOUBLE		1,357.00	
Z1224-75-SINGLE		1,026.00	
Z1224-75-TRIPLE		POA	

\*Regularly furnished unless otherwise specified.

For additional product information, please visit [www.zurn.com](http://www.zurn.com) | Patent [zurn.com/patents](http://www.zurn.com/patents)

Items designated as Best Sellers are most specified and are generally in stock for shipment.

Ⓞ This symbol denotes a product that is engineered to reduce installation and rework time.

For Additional System Tools See "Z1200 Carrier Tools and Accessories" on page 196

## Z1225 PLATE TYPE SYSTEM – WATER COOLERS



### ENGINEERING SPECIFICATION

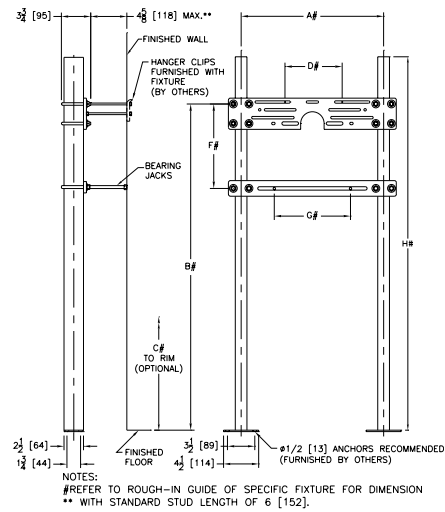
Zurn Z1225 water cooler support system with top and bottom plates comes complete with Dura-Coated rectangular steel uprights with welded feet, adjustable support plates, and mounting fasteners.

### NOTES

Dimensional data for letter dimensions depends on fixture type and manufacturer. See Zurn Carrier/Fixture Rough-In information at [www.zurn.com](http://www.zurn.com) for specific rough-in dimensions.

Product Number	Approximate Weight lb [kg]
Z1225	30 [14]
Z1225-D	59 [27]

PREFIXES	DESCRIPTION	SINGLE	DOUBLE
Z1225*	Dura-Coated System with Universal Plate	1,147.00	-
Z1225-D	Back-to-Back System	-	1,598.00
SUFFIXES		ADD	
-BL	Bi-Level Cooler Support	533.00	1,061.00
-CB	Carrier Bank (Per Each)	POA	POA
BEST SELLERS		LIST PRICE	
Z1225-BL-UNIV		1,680.00	
Z1225-UNIV		1,147.00	



Z1225 (Single)

## Z1229 PLATE AND EXPOSED ARM – HEAVY SINKS



### ENGINEERING SPECIFICATION

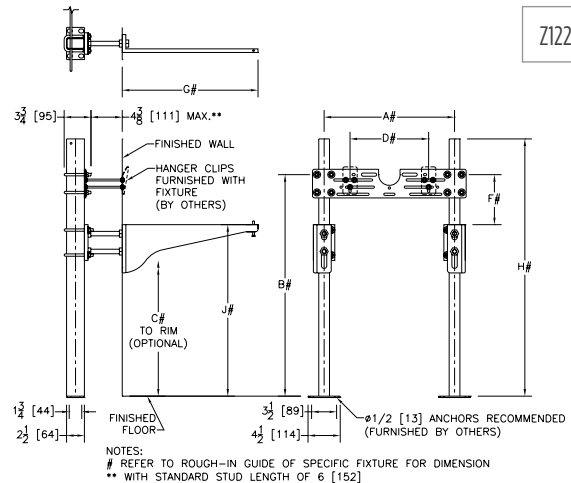
Zurn Z1229 heavy sink support system comes complete with Dura-Coated rectangular steel uprights with welded feet, adjustable top support plate, acid resistant epoxy coated exposed arms mounted on cast iron adjustable header, and mounting fasteners.

### NOTES

Dimensional data for letter dimensions depends on fixture type and manufacturer. See Zurn Carrier/Fixture Rough-In information at [www.zurn.com](http://www.zurn.com) for specific rough-in dimensions.

Product Number	Approximate Weight lb [kg]
Z1229	48 [22]

PREFIXES	DESCRIPTION	LIST PRICE
Z1229*	Dura-Coated System with A.R.C. Exposed Arms	3,672.00
SUFFIXES		ADD
-WS	Wall Support Valve Plate (Specify Valve Name and Number)	209.00
-1	Longer Sink - Ea. 1' over 3' (Specify Length per Foot)	1,227.00



Z1229 (Single)

Items designated as Best Sellers are most specified and are generally in stock for shipment.  
⌚ This symbol denotes a product that is engineered to reduce installation and rework time.  
For Additional System Tools See "Z1200 Carrier Tools and Accessories" on page 196

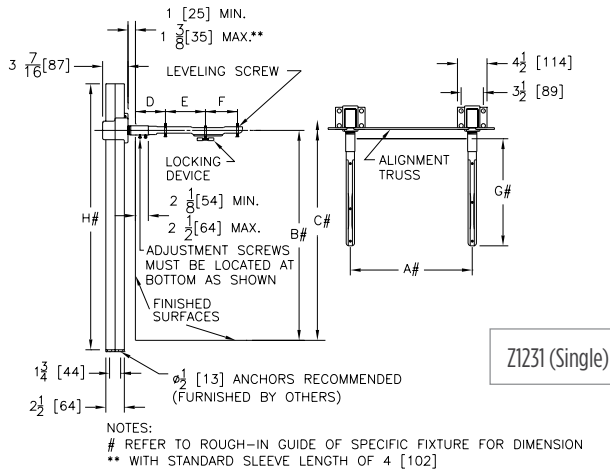
\*Regularly furnished unless otherwise specified.  
For additional product information, please visit [www.zurn.com](http://www.zurn.com) | Patent [zurn.com/patents](http://zurn.com/patents)

## Z1231 CONCEALED ARM SYSTEM – WALL LAVATORIES



### ENGINEERING SPECIFICATION

Zurn Z1231 lavatory support system with concealed arms comes complete with Dura-Coated rectangular steel uprights with welded feet, cast iron adjustable headers, concealed arms, steel sleeves, alignment truss, and mounting fasteners.



Product Number	Approximate Weight lb [kg]
Z1231	45 [20]
Z1231-D	63 [29]

PREFIXES	DESCRIPTION	SINGLE	DOUBLE
<b>Z1231*</b>	Dura-Coated System with Concealed Arms	<b>1,357.00</b>	-
<b>Z1231-D</b>	Back-to-Back System	-	<b>1,926.00</b>
SUFFIXES		ADD	
-AL	Adapter Lug	N/C	N/C
Ⓢ -CB	Carrier Bank (Per Each)	POA	POA
-D	Back-to-Back System	See Prefix Z1231-D	
-E2	Concealed Arm Escutcheons 2" Long	231.00	459.00
-SL	Sleeve Length Greater Than 4" (Per Inch) (Specify Length)	76.00	147.00
-WS	Wall Support Valve Plate (Specify Valve Name and Number)	209.00	415.00
-79	ADA Rough-In	91.00	176.00
BEST SELLERS		LIST PRICE	
Z1231-UNIV-80		1,357.00	
Z1231-UNIV-81		1,357.00	
Z1231-(See Carrier Code Book)		POA	
Z1231-D-(See Carrier Code Book)		POA	

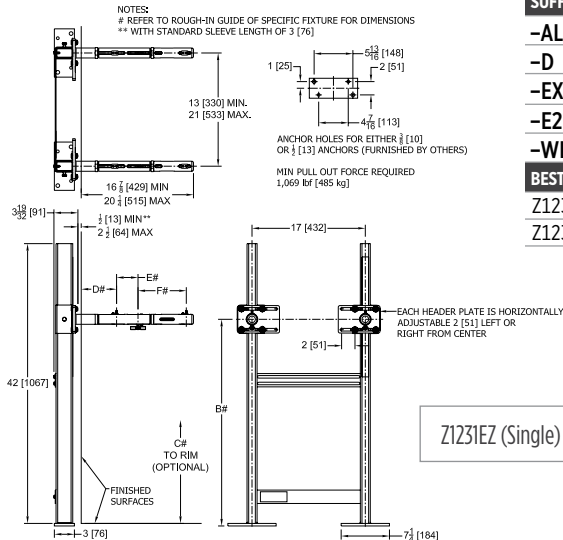
## Ⓢ Z1231EZ UNIVERSAL LAVATORY CARRIER – WALL LAVATORIES



### ENGINEERING SPECIFICATION

Zurn Z1231EZ Universal lavatory support system is designed to reduce installation time and provide jobsite flexibility with a complete offering of universal arms, independent horizontal and vertical bracket system, and only requiring two anchors per upright.

Patent Pending



Product Number	Approximate Weight lb [kg]
Z1231EZ	43 [19]

PREFIXES	DESCRIPTION	SINGLE	DOUBLE
<b>Z1231EZ*</b>	Dura-Coated System with Universal Arms	<b>1,652.00</b>	-
<b>Z1231EZ-D</b>	Back-to-Back System	-	<b>2,412.00</b>
SUFFIXES		ADD	
-AL	Adapter Lug	N/C	N/C
-D	Back-to-Back System	See Prefix Z1231EZ-D	
-EXT	Extension Sleeve 3"-5" [76mm-127mm]	256.00	508.00
-E2	Concealed Arm Escutcheons 2" Long	231.00	459.00
-WL	Waste Line Sleeve	924.00	924.00
BEST SELLERS		LIST PRICE	
Z1231EZ-D		2,412.00	
Z1231EZ		1,648.00	

\*Regularly furnished unless otherwise specified.

For additional product information, please visit [www.zurn.com](http://www.zurn.com) | Patent [zurn.com/patents](http://zurn.com/patents)

Items designated as Best Sellers are most specified and are generally in stock for shipment.

Ⓢ This symbol denotes a product that is engineered to reduce installation and rework time.

For Additional System Tools See "Z1200 Carrier Tools and Accessories" on page 196

# Z1236 EXPOSED ARM SYSTEM – WALL LAVATORIES/SINKS



## ENGINEERING SPECIFICATION

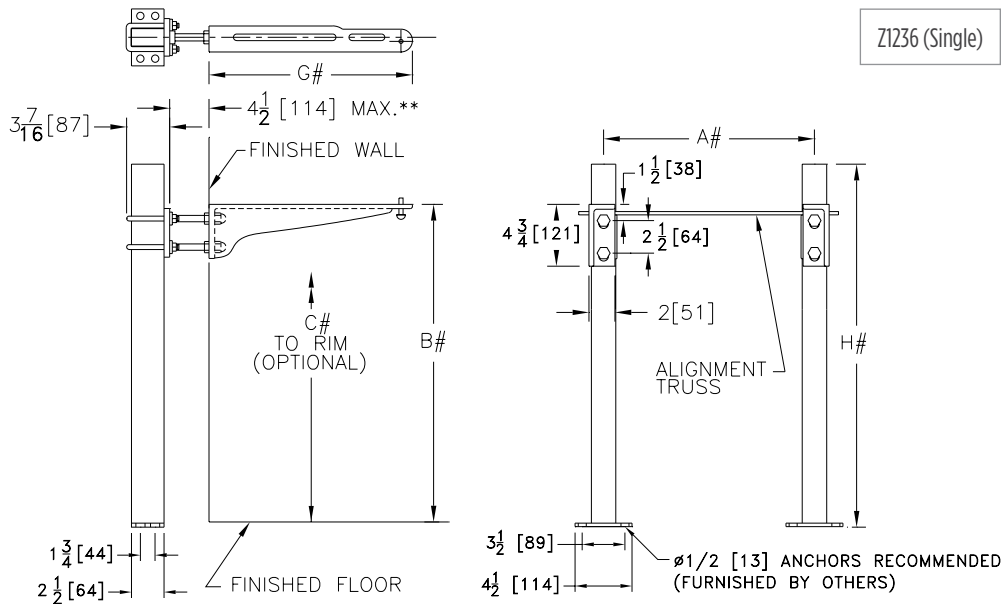
Zurn Z1236 lavatory support system with exposed arms comes complete with Dura-Coated rectangular steel uprights with welded feet, cast iron adjustable headers, acid resistant epoxy coated cast iron arms, alignment truss, and mounting fasteners.

## NOTES

Dimensional data for letter dimensions depends upon fixture type and manufacturer. See Zurn Carrier Code Book at [www.zurn.com](http://www.zurn.com) for specific rough-in dimensions.

Product Number	Approximate Weight lb [kg]
Z1236	60 [27]
Z1236-D	71 [32]

PREFIXES	DESCRIPTION	SINGLE	DOUBLE
<b>Z1236*</b>	Dura-Coated System with A.R.C. Exposed Arms	<b>1,926.00</b>	-
<b>Z1236-D</b>	Back-to-Back System	-	<b>3,015.00</b>
SUFFIXES		ADD	
<b>-AL</b>	Adapter Lug	<b>N/C</b>	<b>N/C</b>
<b>-D</b>	Back-to-Back System	<b>See Prefix Z1236-D</b>	
<b>-WS</b>	Wall Support Valve Plate (Specify Valve Name and Number)	<b>209.00</b>	<b>415.00</b>



NOTES:  
 #REFER TO ROUGH-IN GUIDE OF SPECIFIC FIXTURE FOR DIMENSION  
 \*\* WITH STANDARD STUD LENGTH OF 6 [152].



## Z1251 CONCEALED ARM SYSTEM – WALL SUPPORTED

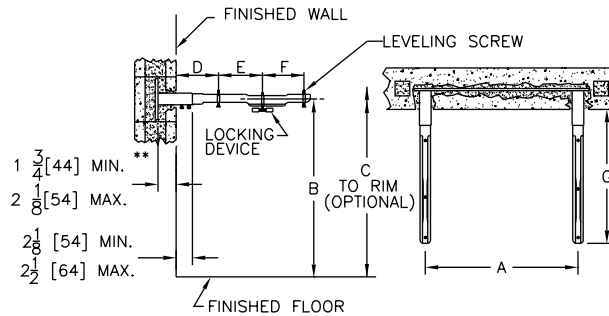


### ENGINEERING SPECIFICATION

Zurn Z1251 lavatory support system with concealed arms comes complete with Dura-Coated support plate with integral steel arm sleeves, concealed arms, and mounting fasteners.

Product Number	Approximate Weight lb [kg]
Z1251	18 [8]

PREFIXES	DESCRIPTION	LIST PRICE
<b>Z1251*</b>	Dura-Coated System with Concealed Arms	<b>632.00</b>
SUFFIXES		ADD
<b>-E2</b>	Concealed Arm Escutcheons 2" Long	<b>231.00</b>
<b>-79</b>	ADA Rough-In	<b>183.00</b>
BEST SELLERS		LIST PRICE
Z1251-F/Z5344		<b>632.00</b>
Z1251-(See Carrier Code Book)		<b>POA</b>



## Z1253 ADJUSTABLE CONCEALED ARM SYSTEM – WALL SUPPORTED

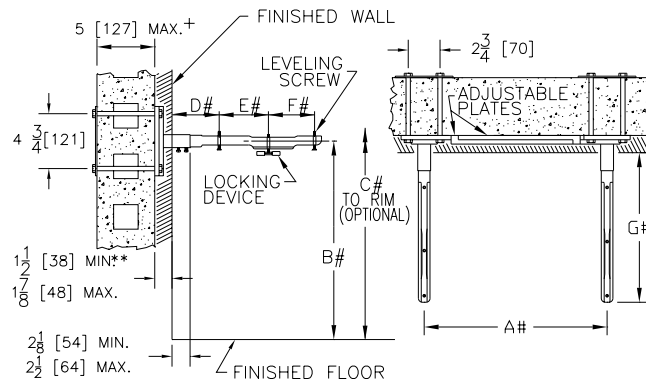


### ENGINEERING SPECIFICATION

Zurn Z1253 lavatory support system with concealed arms comes complete with adjustable Dura-Coated support plates with arm sleeves, concealed arms, and mounting fasteners.

Product Number	Approximate Weight lb [kg]
Z1253	18 [8]

PREFIXES	DESCRIPTION	LIST PRICE
<b>Z1253*</b>	Dura-Coated System with Concealed Arms	<b>806.00</b>
SUFFIXES		ADD
<b>-79</b>	ADA Rough-In	<b>183.00</b>



NOTE:  
 \*\* WITH STANDARD SLEEVE LENGTH OF 4 [102]  
 + WITH STANDARD STUD LENGTH OF 6 [152]  
 # REFER TO ROUGH-IN GUIDE OF SPECIFIC FIXTURE FOR DIMENSION

\*Regularly furnished unless otherwise specified.

For additional product information, please visit [www.zurn.com](http://www.zurn.com) | Patent [zurn.com/patents](http://zurn.com/patents)

Items designated as Best Sellers are most specified and are generally in stock for shipment.

Ⓢ This symbol denotes a product that is engineered to reduce installation and rework time.

For Additional System Tools See "Z1200 Carrier Tools and Accessories" on page 196

# Z1255 EXPOSED ARM SYSTEM – WALL SUPPORTED



## ENGINEERING SPECIFICATION

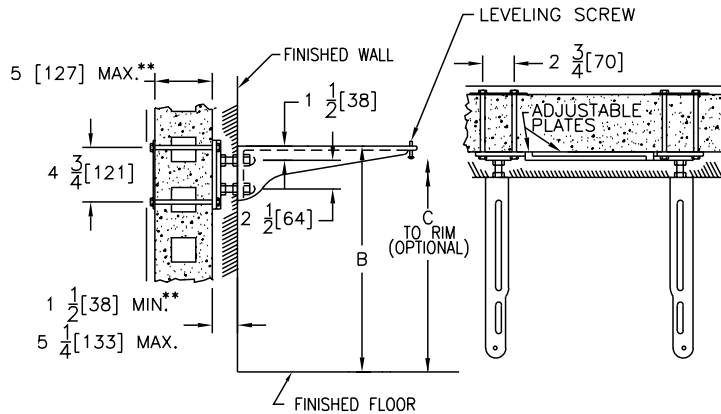
Zurn Z1255 lavatory support system with exposed arms comes complete with adjustable Dura-Coated support plates, acid resistant epoxy coated cast iron exposed arms, and mounting fasteners.

## NOTES

Dimensional data for letter dimensions depends upon fixture type and manufacturer. See Zurn Carrier Code Book at [www.zurn.com](http://www.zurn.com) for specific rough-in dimensions.

Product Number	Approximate Weight lb [kg]
Z1255	25 [11]

PREFIXES	DESCRIPTION	LIST PRICE
<b>Z1255*</b>	Dura-Coated System with A.R.C. Exposed Arms	<b>1,338.00</b>
SUFFIXES		ADD
⌚ <b>-BS</b>	Bar Support Valve Plate (Specify Valve Name and Number)	<b>209.00</b>
<b>-SL</b>	Stud Length Over 6" - Per Inch (Specify Length)	<b>76.00</b>
<b>-VP</b>	Vandal-Proof Trim	<b>183.00</b>



Items designated as Best Sellers are most specified and are generally in stock for shipment.

⌚ This symbol denotes a product that is engineered to reduce installation and rework time.

For Additional System Tools See "Z1200 Carrier Tools and Accessories" on page 196

\*Regularly furnished unless otherwise specified.

For additional product information, please visit [www.zurn.com](http://www.zurn.com) | Patent [zurn.com/patents](http://zurn.com/patents)

## Z1256 EXPOSED ARM SYSTEM – WALL SUPPORTED

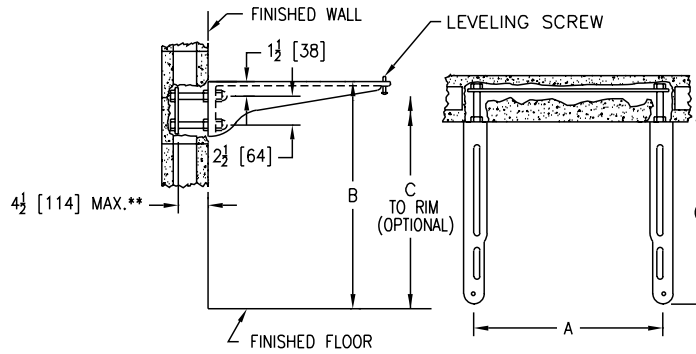


### ENGINEERING SPECIFICATION

Zurn Z1256 lavatory support with exposed arms comes complete with Dura-Coated support plates, acid resistant epoxy coated cast iron exposed arms, and mounting fasteners.

### NOTES

Dimensional data for letter dimensions depends upon fixture type and manufacturer. See Zurn Carrier Code Book at [www.zurn.com](http://www.zurn.com) for specific rough-in dimensions.



\*\* WITH STANDARD STUD LENGTH OF 6 [152]

Product Number	Approximate Weight lb [kg]
Z1256	25 [11]

PREFIXES	DESCRIPTION	LIST PRICE
<b>Z1256*</b>	Dura-Coated System with A.R.C. Exposed Arms	<b>1,075.00</b>
SUFFIXES		ADD
Ⓢ -BS	Bar Support Valve Plate (Specify Valve Name and Number)	<b>209.00</b>
-SL	Stud Length Over 6" - Per Inch (Specify Length)	<b>76.00</b>
-VP	Vandal-Proof Trim	<b>183.00</b>

## Z1257 EXPOSED ARM SYSTEM – WALL SUPPORTED

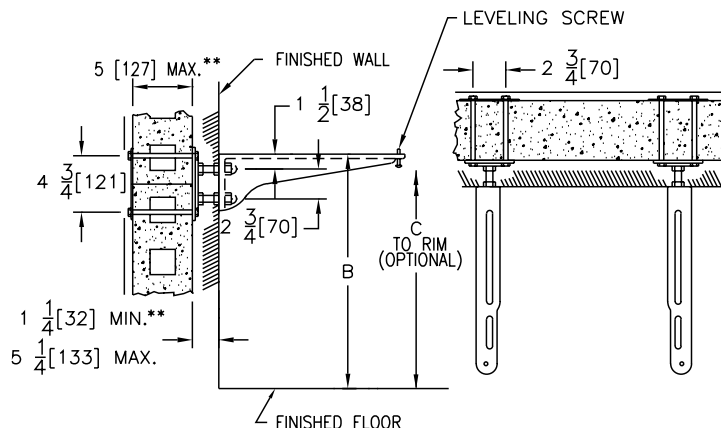


### ENGINEERING SPECIFICATION

Zurn Z1257 wall supported, exposed arm system features Dura-Coated wall plate securing assembly with acid resistant epoxy coated cast iron exposed arms and mounting fasteners.

### NOTES

Dimensional data for letter dimensions depends upon fixture type and manufacturer. See Zurn Carrier Code Book at [www.zurn.com](http://www.zurn.com) for specific rough-in dimensions.



Product Number	Approximate Weight lb [kg]
Z1257	25 [11]

PREFIXES	DESCRIPTION	LIST PRICE
<b>Z1257*</b>	Dura-Coated System with A.R.C. Exposed Arms	<b>1,338.00</b>
SUFFIXES		ADD
Ⓢ -BS	Bar Support Valve Plate (Specify Valve Name and Number)	<b>209.00</b>
-SL	Stud Length Over 6" - Per Inch (Specify Length)	<b>76.00</b>
-VP	Vandal-Proof Trim	<b>183.00</b>

\*Regularly furnished unless otherwise specified.

For additional product information, please visit [www.zurn.com](http://www.zurn.com) | Patent [zurn.com/patents](http://zurn.com/patents)

Items designated as Best Sellers are most specified and are generally in stock for shipment.

Ⓢ This symbol denotes a product that is engineered to reduce installation and rework time.

For Additional System Tools See "Z1200 Carrier Tools and Accessories" on page 196

## Z1258 EXPOSED ARM SYSTEM – WALL SUPPORTED



### ENGINEERING SPECIFICATION

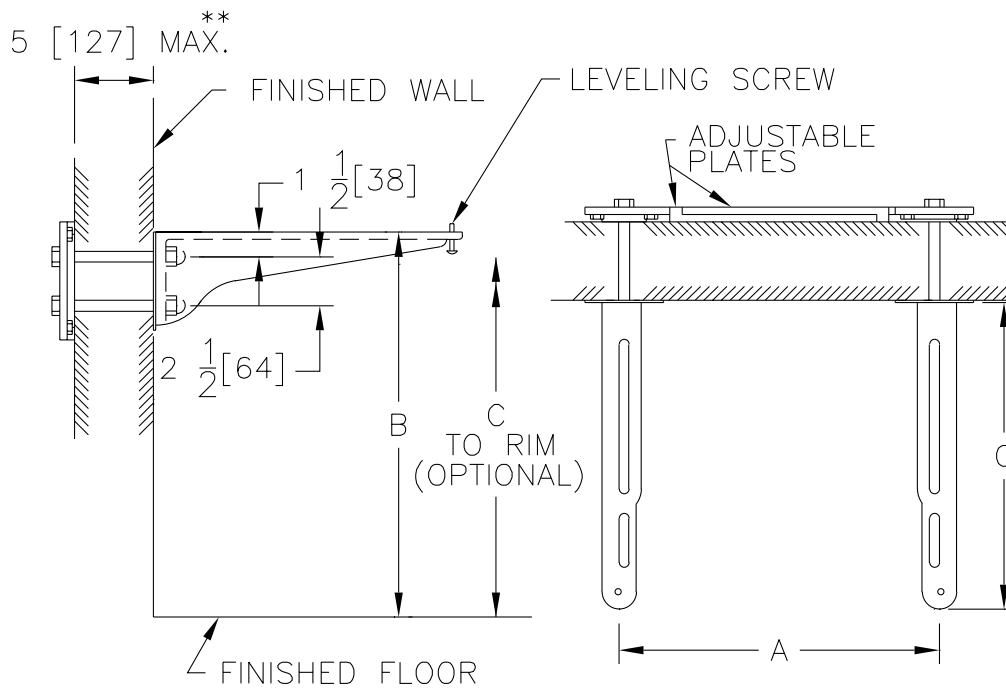
Zurn Z1258 lavatory support system with exposed arms comes complete with adjustable Dura-Coated support plates, acid resistant epoxy coated cast iron exposed arms, and mounting fasteners.

### NOTES

Dimensional data for letter dimensions depends upon fixture type and manufacturer. See Zurn Carrier Code Book at [www.zurn.com](http://www.zurn.com) for specific rough-in dimensions.

Product Number	Approximate Weight lb [kg]
Z1258	25 [11]

PREFIXES	DESCRIPTION	LIST PRICE
<b>Z1258*</b>	Dura-Coated System with A.R.C. Exposed Arms	<b>811.00</b>
SUFFIXES		ADD
⌚ <b>-BS</b>	Bar Support Valve Plate (Specify Valve Name and Number)	<b>209.00</b>
<b>-SL</b>	Stud Length Over 6" - Per Inch (Specify Length)	<b>76.00</b>
<b>-VP</b>	Vandal-Proof Trim	<b>183.00</b>



Items designated as Best Sellers are most specified and are generally in stock for shipment.

⌚ This symbol denotes a product that is engineered to reduce installation and rework time.  
For Additional System Tools See "Z1200 Carrier Tools and Accessories" on page 196

\*Regularly furnished unless otherwise specified.

For additional product information, please visit [www.zurn.com](http://www.zurn.com) | Patent [zurn.com/patents](http://zurn.com/patents)

# Z1259 PLATE SYSTEM – WALL SUPPORTED

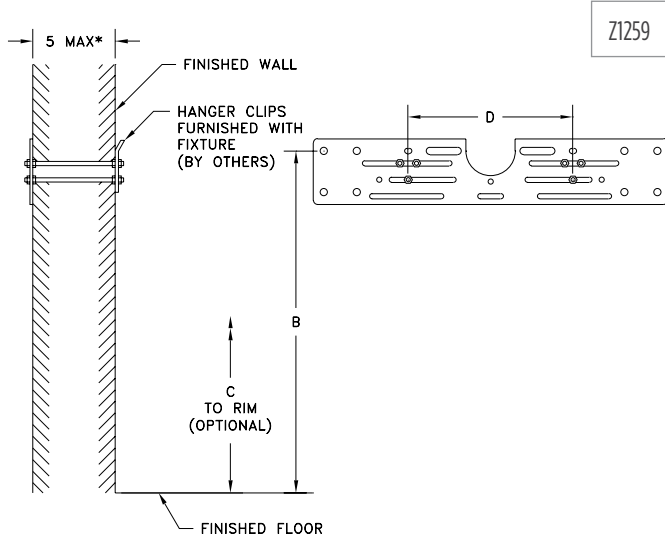


## ENGINEERING SPECIFICATION

Zurn Z1259 lavatory support system comes complete with Dura-Coated support plate(s) and mounting fasteners.

## NOTES

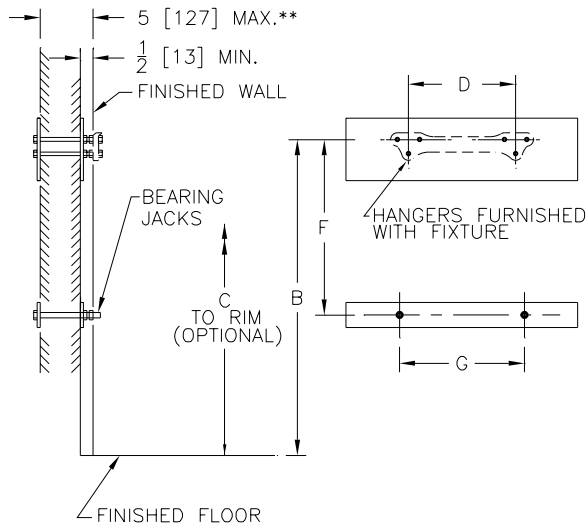
Dimensional data for letter dimensions depends upon fixture type and manufacturer. See Zurn Carrier Code Book at [www.zurn.com](http://www.zurn.com) for specific rough-in dimensions.



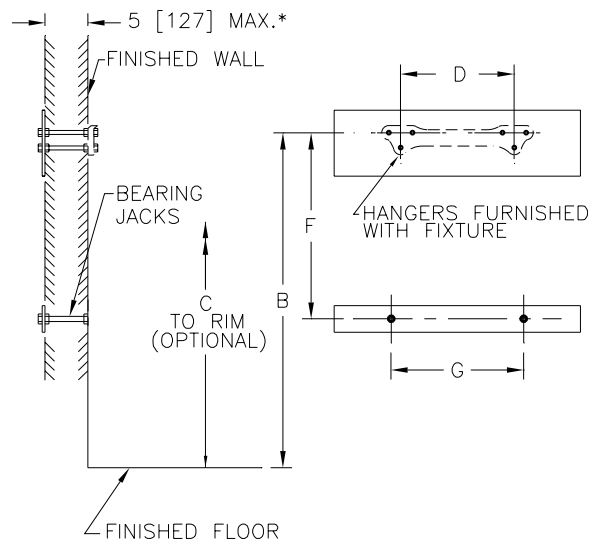
Z1259

Product Number	Approximate Weight lb [kg]
Z1259	6 [3]
Z1259-BP	24 [11]
Z1259-D	12 [5]
Z1259-DB	24 [11]
Z1259-SP	12 [5]
Z1259-2	

PREFIXES	DESCRIPTION	SINGLE	DOUBLE
Z1259*	Dura-Coated Plate System	See Plate Type for Pricing	
PLATE TYPE			
	Top Back Plate with Studs Only	287.00	-
-BP	Top Front and Back Plates with Studs and Bottom Front and Back Plates with Bearing Jacks	506.00	-
-D	Back-to-Back Top Front Plates with Studs Only	-	350.00
-DB	Back-to-Back Top Front Plates with Studs and Bottom Front Plates with Bearing Jacks	-	577.00
-SP	Top Front and Back Plate with Studs Only	350.00	-
-2	Top Back Plate with Studs and Bottom Back Plate with Bearing Jacks	458.00	-
SUFFIXES		ADD	
-SL	Stud Length Over 6" - Per Inch (Specify Length)	76.00	147.00



Z1259-BP



Z1259-2

\*Regularly furnished unless otherwise specified.

For additional product information, please visit [www.zurn.com](http://www.zurn.com) | Patent [zurn.com/patents](http://zurn.com/patents)

Items designated as Best Sellers are most specified and are generally in stock for shipment.

Ⓢ This symbol denotes a product that is engineered to reduce installation and rework time.

For Additional System Tools See "Z1200 Carrier Tools and Accessories" on page 196

# HYDRANTS

HYDRANTS - APPLICATION INDEX	254
<b>Z1300</b> ECOLOTROL WALL HYDRANT – ENCASED, NON-FREEZE, ANTI-SIPHON, AUTOMATIC DRAINING	255
<b>Z1305</b> WALL HYDRANT – ENCASED, NON-FREEZE	255
<b>Z1310</b> ECOLOTROL WALL HYDRANT – EXPOSED, NON-FREEZE, ANTI-SIPHON, AUTOMATIC DRAINING	256
<b>Z1315</b> WALL HYDRANT – EXPOSED, NON-FREEZE	256
<b>Z1320XL</b> ECOLOTROL CERAMIC DISC WALL HYDRANT – ENCASED, NON-FREEZE, ANTI-SIPHON, AUTOMATIC DRAINING	257
🕒 <b>Z1320XL-EZ</b> ECOLOTROL CERAMIC DISC WALL HYDRANT – ENCASED, NON-FREEZE, ANTI-SIPHON, AUTOMATIC DRAINING	257
<b>Z1321XL</b> ECOLOTROL CERAMIC DISC WALL HYDRANT – EXPOSED, NON-FREEZE, ANTI-SIPHON, AUTOMATIC DRAINING	258
🕒 <b>Z1322XL-EZ</b> ECOLOTROL CERAMIC DISC WALL HYDRANT – EXPOSED, NON-FREEZE, ANTI-SIPHON, AUTOMATIC DRAINING	258
<b>Z1325</b> WALL HYDRANT – ENCASED, VARI-TEMP, NON-FREEZE	259
🕒 <b>Z1327-EZ</b> NARROW WALL HOT/COLD HYDRANT WITH MOUNTING BRACKETS – ENCASED, MODERATE CLIMATE	259
<b>Z1330XL</b> ECOLOTROL CERAMIC DISC WALL HYDRANT – ENCASED, ANTI-SIPHON, AUTOMATIC DRAINING, MODERATE CLIMATE	260
🕒 <b>Z1332XL-EZ</b> ECOLOTROL CERAMIC DISC WALL HYDRANT – ENCASED, ANTI-SIPHON, AUTOMATIC DRAINING, MODERATE CLIMATE	260
<b>Z1333XL</b> ECOLOTROL CERAMIC DISC WALL HYDRANT – EXPOSED, ANTI-SIPHON, AUTOMATIC DRAINING, MODERATE CLIMATE	261
<b>Z1335</b> WALL HYDRANT – ENCASED, MODERATE CLIMATE	261
<b>Z1350</b> NARROW WALL HYDRANT – ENCASED, MODERATE CLIMATE	262
🕒 <b>Z1350-EZ</b> NARROW WALL HYDRANT WITH MOUNTING BRACKETS – ENCASED, MODERATE CLIMATE	262
<b>Z1360XL</b> GROUND HYDRANT – ENCASED, FLUSH TYPE, NON-FREEZE	263
<b>Z1365</b> GROUND HYDRANT – ENCASED, FLUSH TYPE, NON-FREEZE	264
<b>Z1370</b> GROUND HYDRANT – ENCASED, HOSE STORAGE, NON-FREEZE	265
<b>Z1375</b> GROUND HYDRANT – ENCASED, MODERATE CLIMATE, INTERIOR USE	266
<b>Z1385</b> POST HYDRANT – EXPOSED HEAD, NON-FREEZE	266
<b>Z1388XL</b> ROOF HYDRANT – EXPOSED HEAD, NON-FREEZE	267
<b>Z1390</b> POST HYDRANT – EXPOSED HEAD, NON-FREEZE	267
<b>Z1395XL</b> YARD HYDRANT – EXPOSED HEAD, NON-FREEZE	268
<b>Z1397XL</b> FLO-TROL YARD HYDRANT – EXPOSED HEAD, NON-FREEZE	268

## HYDRANTS - APPLICATION INDEX

WALL HYDRANTS	NON-FREEZE/SELF-DRAINING	MODERATE CLIMATE
---------------	--------------------------	------------------

Retail Outlets	Z1300, Z1305, Z1310, Z1320	Z1330, Z1335
Office Buildings	Z1300, Z1305, Z1320	Z1330, Z1335
Institutions, Hospitals, Schools	Z1300, Z1305, Z1320	Z1330, Z1335
Apartments	Z1315, Z1321	Z1333, Z1350, Z1350-EZ
Cored Wall Construction	Z1322-EZ	Z1332-EZ
Cleaning Areas, Slop Sink, Garbage Can Wash	Z1325	
Commercial/Multi-Family, Thin Wall Construction		Z1350, Z1350-EZ
Masonry Wall Construction	Z1320-EZ	
Vari-Temp (Hot/Cold)	Z1325	Z1327-EZ

GROUND HYDRANTS	NON-FREEZE/SELF-DRAINING	MODERATE CLIMATE
-----------------	--------------------------	------------------

Parks, Recreational Areas	Z1360, Z1365, Z1370, Z1390, Z1395, Z1397	
Garden Areas	Z1360, Z1370, Z1385, Z1395, Z1397	Z1375
Industrial	Z1365, Z1370, Z1390	
Supermarkets, Malls	Z1360-HD	Z1375-HD
Farms, Agricultural	Z1385, Z1390, Z1395, Z1397	
Stables	Z1385, Z1390, Z1395, Z1397	

**Note:** Any of the non-freeze/self-draining hydrants may be used in moderate climates.



XL LEAD FREE

†Zurn "XL" Lead-Free compliant products are a line of durable plumbing products designed and manufactured to comply with state laws and local codes that mandate maximum allowable lead content levels. Zurn "XL" products are manufactured in accordance to the Federal SWDA section 1417.

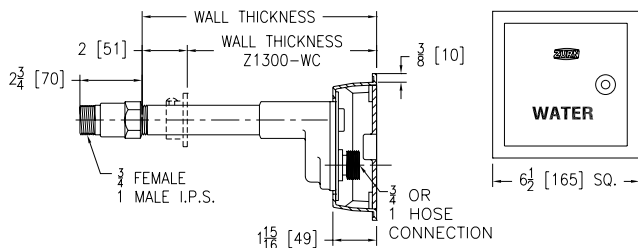
## Z1300 ECOLOTROL WALL HYDRANT – ENCASED, NON-FREEZE, ANTI-SIPHON, AUTOMATIC DRAINING



### ENGINEERING SPECIFICATION

Zurn Z1300 encased Ecotrol anti-siphon automatic draining wall hydrant is designed for flush installation. Comes complete with non-freeze type integral backflow preventer, bronze casing, all bronze interior parts, non-turning operating rod with free-floating compression closure valve, replaceable bronze seat and seat washer, and combination 3/4" female or 1" male straight IP inlet. Nickel bronze box and hinged cover include operating key lock and "WATER" cast on cover.

Wall Thickness inches [mm]	Approximate Weight lb [kg]
6 [152], 8 [203]	9 [4]
10 [254], 12 [305], 14 [356]	12 [5]
16 [406], 18 [457]	15 [7]
20 [508], 22 [559], 24 [610]	18 [8]



PRODUCT	DESCRIPTION	WALL THICKNESS	LIST PRICE
<b>Z1300*</b>	3/4" Hose Connection Nickel Bronze Box and Cover with Polished Face and Bronze Casing	6", 8"	3,786.00
		10", 12", 14"	3,897.00
		16", 18"	4,085.00
		20", 22", 24"	4,227.00
	1" Hose Connection Nickel Bronze Box and Cover with Polished Face and Bronze Casing	6", 8"	4,070.00
		10", 12", 14"	4,184.00
		16", 18"	4,371.00
		20", 22", 24"	4,514.00

SUFFIXES	ADD
-CL	Cylinder Lock 262.00
-RA4	24" Replacement Rod Assembly Kit 790.00
-RK	Hydrant Parts Repair Kit 458.00
-SS	Stainless Steel Box and Cover N/C
-WC	Wall Clamp N/C
-34FS	3/4" Solder Female Inlet Adapter N/C
-34UN	3/4" IP 90° Inlet Elbow with Union Nut 67.00

SUFFIXES	DEDUCT
-PB	Polished Bronze Face (239.00)

BEST SELLERS	LIST PRICE
Z1300-3/4X6	3,786.00
Z1300-3/4X6-SS	3,786.00
Z1300-3/4X6-WC	3,786.00
Z1300-3/4X8	3,786.00
Z1300-3/4X10	3,897.00
Z1300-3/4X12	3,897.00
Z1300-3/4X14	3,897.00
Z1300-3/4X16	4,085.00
Z1300-3/4X18	4,085.00

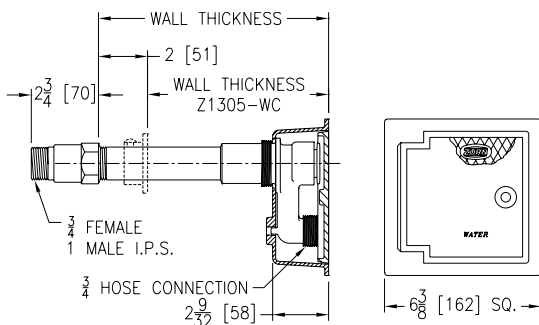
## Z1305 WALL HYDRANT – ENCASED, NON-FREEZE



### ENGINEERING SPECIFICATION

Zurn Z1305 encased, non-freeze, flush wall hydrant features bronze casing, all bronze interior parts, non-turning operating rod with free-floating compression closure valve, replaceable bronze seat and seat washer, and combination 3/4" female or 1" male straight IP inlet. Nickel bronze box and hinged cover include operating key lock and "WATER" cast on cover.

Wall Thickness inches [mm]	Approximate Weight lb [kg]
6 [152], 8 [203]	11 [5]
10 [254], 12 [305], 14 [356]	13 [6]
16 [406]	15 [7]
24 [610]	17 [8]



PRODUCT	DESCRIPTION	WALL THICKNESS	LIST PRICE
<b>Z1305*</b>	3/4" Hose Connection Nickel Bronze Box and Cover with Polished Face and Bronze Casing	6", 8"	2,725.00
		10", 12", 14"	2,856.00
		16"	3,060.00
		24"	3,201.00

SUFFIXES	ADD
-RA4	24" Replacement Rod Assembly Kit 790.00
-RK	Hydrant Parts Repair Kit 458.00
-WC	Wall Clamp N/C
-34UN	3/4" IP 90° Inlet Elbow with Union Nut 67.00

SUFFIXES	DEDUCT
-PB	Polished Bronze Face (294.00)

BEST SELLERS	LIST PRICE
Z1305-3/4X6	2,725.00
Z1305-3/4X8	2,725.00
Z1305-3/4X12	2,856.00
Z1305-3/4X16	3,060.00

Items designated as Best Sellers are most specified and are generally in stock for shipment. This symbol denotes a product that is engineered to reduce installation and rework time. For additional product information, please visit [www.zurn.com](http://www.zurn.com) | Patent [zurn.com/patents](http://zurn.com/patents)

\*Lead-free product. For more information, see page 254.   
 \*Regularly furnished unless otherwise specified.

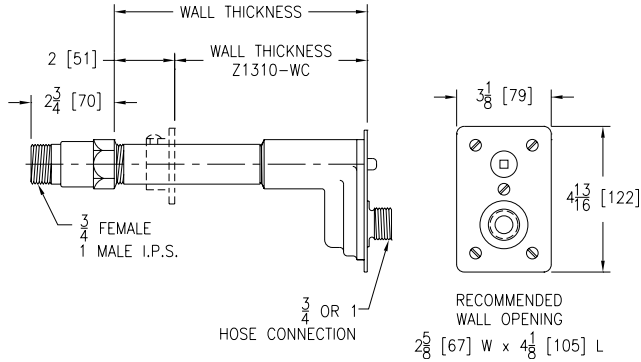


## Z1310 ECOLOTROL WALL HYDRANT – EXPOSED, NON-FREEZE, ANTI-SIPHON, AUTOMATIC DRAINING



### ENGINEERING SPECIFICATION

Zurn Z1310 exposed Ecolotrol anti-siphon automatic draining wall hydrant features non-freeze integral backflow preventer, bronze casing, all bronze interior parts, non-turning operating rod with free-floating compression closure valve, replaceable bronze seat and seat washer, and combination 3/4" female or 1" male straight IP inlet. Includes stainless steel face with operating key.



Wall Thickness inches [mm]	Approximate Weight lb [kg]
4 [102], 6 [152], 8 [203]	5 [2]
10 [254], 12 [305], 14 [356]	8 [4]
16 [406], 18 [457]	11 [5]
20 [508], 22 [559], 24 [610]	14 [6]

PRODUCT	DESCRIPTION	WALL THICKNESS	LIST PRICE
<b>Z1310*</b>	3/4" Hose Connection Bronze Hydrant with Polished Stainless Steel Face and Bronze Casing	4", 6", 8"	<b>1,998.00</b>
		10", 12", 14"	<b>2,135.00</b>
		16", 18"	<b>2,327.00</b>
		20", 22", 24"	<b>2,484.00</b>
	1" Hose Connection Bronze Hydrant with Polished Stainless Steel Face and Bronze Casing	4", 6", 8"	<b>2,304.00</b>
		10", 12", 14"	<b>2,439.00</b>
		16", 18"	<b>2,637.00</b>
		20", 22", 24"	<b>2,789.00</b>

SUFFIXES	ADD
<b>-RA4</b>	24" Replacement Rod Assembly Kit <b>790.00</b>
<b>-RK</b>	Hydrant Parts Repair Kit <b>458.00</b>
<b>-WC</b>	Wall Clamp <b>N/C</b>
<b>-34FS</b>	3/4" Solder Female Inlet Adapter <b>N/C</b>
<b>-34UN</b>	3/4" IP 90° Inlet Elbow with Union Nut <b>67.00</b>
SUFFIXES	DEDUCT
<b>-PB</b>	Polished Bronze Face <b>(87.00)</b>

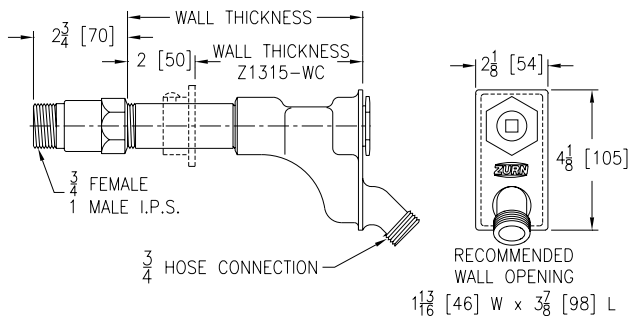
BEST SELLERS	LIST PRICE
Z1310-3/4X4	<b>1,998.00</b>
Z1310-3/4X6	<b>1,998.00</b>
Z1310-3/4X8	<b>1,998.00</b>
Z1310-3/4X10	<b>2,135.00</b>
Z1310-3/4X12	<b>2,135.00</b>

## Z1315 WALL HYDRANT – EXPOSED, NON-FREEZE



### ENGINEERING SPECIFICATION

Zurn Z1315 exposed, non-freeze wall hydrant features bronze casing, all bronze interior parts, non-turning operating rod with free-floating compression closure valve, replaceable bronze seat and seat washer, and combination 3/4" female or 1" male straight IP inlet. Comes complete with operating key.



Wall Thickness inches [mm]	Approximate Weight lb [kg]
4 [102], 6 [152], 8 [203]	6 [3]
10 [254], 12 [305]	8 [4]
16 [406], 18 [457]	10 [5]

PRODUCT	DESCRIPTION	WALL THICKNESS	LIST PRICE
<b>Z1315*</b>	3/4" Hose Connection Nickel Bronze Box and Cover with Polished Face and Bronze Casing	4", 6", 8"	<b>1,583.00</b>
		10", 12"	<b>1,712.00</b>
		16", 18"	<b>1,907.00</b>

SUFFIXES	ADD
<b>-RA4</b>	24" Replacement Rod Assembly Kit <b>790.00</b>
<b>-RK</b>	Hydrant Parts Repair Kit <b>458.00</b>
<b>-VB</b>	3/4" Adapter Vacuum Breaker <b>194.00</b>
<b>-WC</b>	Wall Clamp <b>N/C</b>
SUFFIXES	DEDUCT
<b>-PB</b>	Polished Bronze Face <b>(87.00)</b>

BEST SELLERS	LIST PRICE
Z1315-3/4X4	<b>1,583.00</b>
Z1315-3/4X12	<b>1,712.00</b>

\*Lead-free product. For more information, see page 254.  
\*Regularly furnished unless otherwise specified.

Items designated as Best Sellers are most specified and are generally in stock for shipment.  
Ⓢ This symbol denotes a product that is engineered to reduce installation and rework time.  
For additional product information, please visit [www.zurn.com](http://www.zurn.com) | Patent [zurn.com/patents](http://zurn.com/patents)

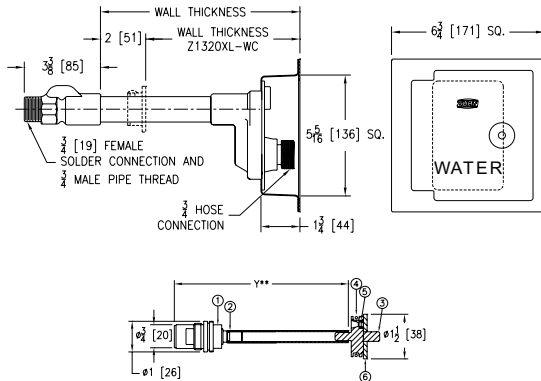
## Z1320XL ECOLOTROL CERAMIC DISC WALL HYDRANT – ENCASED, NON-FREEZE, ANTI-SIPHON, AUTOMATIC DRAINING



XL LEAD FREE

### ENGINEERING SPECIFICATION

Zurn Z1320XL encased, Ecolotrol, lead-free<sup>1</sup>, non-freeze automatic draining wall hydrant is designed for flush installation. Features integral backflow preventer, anti-siphon technology, copper casing, all bronze interior components with 1/2 turn long-life ceramic disc cartridge, combination 3/4" female solder and 3/4" male pipe thread inlet connection, and 3/4" male hose connection. Comes complete with Type 304 stainless steel housing and hinged cover that includes operating key lock and "WATER" cast on cover.



Wall Thickness inches [mm]	Approximate Weight lb [kg]
6 [152], 8 [203]	5 [2]
10 [254], 12 [305], 14 [356]	6 [3]
16 [406], 18 [457]	7 [3]
20 [508], 22 [559], 24 [610]	8 [4]
26 [660], 30 [762]	10 [5]

PRODUCT	DESCRIPTION	WALL THICKNESS	LIST PRICE
<b>Z1320XL*</b>	3/4" Hose Connection Stainless Steel Box and Face with Copper Casing	6", 8"	<b>2,142.00</b>
		10", 12", 14"	<b>2,217.00</b>
		16", 18"	<b>2,338.00</b>
		20", 22", 24"	<b>2,453.00</b>
		26", 30"	<b>2,729.00</b>

SUFFIXES	ADD
-CL	Cylinder Lock <b>247.00</b>
-NB	Polished Nickel Bronze Face <b>N/C</b>
-PB	Polished Bronze Face <b>89.00</b>
-RK	Hydrant Parts Repair Kit (HYD-RK-Z1321XL/33XL) <b>462.00</b>
-RT12	Ceramic Cartridge Removal Tool (Up to 12") <b>71.00</b>
-RT24	Ceramic Cartridge Removal Tool (Up to 24") <b>71.00</b>
-RT36	Ceramic Cartridge Removal Tool (Up to 36") <b>71.00</b>
-WC	Wall Clamp <b>N/C</b>
-34EL	3/4" 90° Solder Inlet Elbow <b>N/C</b>
-34FIP	3/4" IP Straight Female Inlet Adapter <b>62.00</b>

BEST SELLERS	LIST PRICE
Z1320-3/4X6	<b>2,142.00</b>
Z1320-3/4X8	<b>2,142.00</b>
Z1320-3/4X10	<b>2,217.00</b>
Z1320-3/4X12	<b>2,217.00</b>

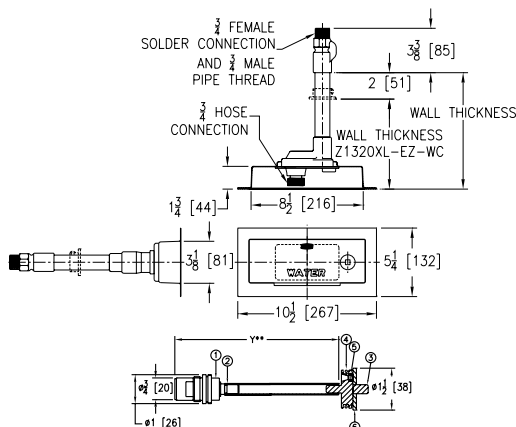
## Z1320XL-EZ ECOLOTROL CERAMIC DISC WALL HYDRANT – ENCASED, NON-FREEZE, ANTI-SIPHON, AUTOMATIC DRAINING



XL LEAD FREE

### ENGINEERING SPECIFICATION

Zurn Z1320XL-EZ encased, Ecolotrol, lead-free<sup>1</sup>, non-freeze automatic draining wall hydrant is designed for flush installation. Features integral backflow preventer, anti-siphon technology, copper casing, all bronze interior components with 1/2 turn long-life ceramic disc cartridge, combination 3/4" female solder and 3/4" male pipe thread inlet connection, and 3/4" male hose connection. Comes complete with Type 304 stainless steel housing and hinged cover that includes operating key lock and "WATER" cast on cover. Hydrant housing fits within one standard modular masonry course. Recommended wall opening: 3-3/16" X 8-1/2".



Wall Thickness inches [mm]	Approximate Weight lb [kg]
6 [152], 8 [203]	5 [2]
10 [254], 12 [305], 14 [356]	6 [3]
16 [406], 18 [457]	7 [3]
20 [508], 22 [559], 24 [610]	8 [4]
26 [660], 30 [762]	10 [5]

PRODUCT	DESCRIPTION	WALL THICKNESS	LIST PRICE
<b>Z1320XL-EZ*</b>	3/4" Hose Connection Stainless Steel Box and Face with Copper Casing	6", 8"	<b>2,241.00</b>
		10", 12", 14"	<b>2,322.00</b>
		16", 18"	<b>2,448.00</b>
		20", 22", 24"	<b>2,569.00</b>
		26", 30"	<b>2,861.00</b>

SUFFIXES	ADD
-CL	Cylinder Lock <b>247.00</b>
-RK	Hydrant Parts Repair Kit (HYD-RK-Z1321XL/33XL) <b>462.00</b>
-RT12	Ceramic Cartridge Removal Tool (Up to 12") <b>71.00</b>
-RT24	Ceramic Cartridge Removal Tool (Up to 24") <b>71.00</b>
-RT36	Ceramic Cartridge Removal Tool (Up to 36") <b>71.00</b>
-WC	Wall Clamp <b>N/C</b>
-34EL	3/4" IP 90° Solder Inlet Elbow <b>N/C</b>
-34FIP	3/4" IP Straight Female Inlet Adapter <b>62.00</b>

BEST SELLERS	LIST PRICE
Z1320XL-EZ-3/4x6	<b>2,241.00</b>
Z1320XL-EZ-3/4x10	<b>2,322.00</b>
Z1320XL-EZ-3/4x12	<b>2,322.00</b>

Items designated as Best Sellers are most specified and are generally in stock for shipment.  
 1 This symbol denotes a product that is engineered to reduce installation and rework time.  
 For additional product information, please visit [www.zurn.com](http://www.zurn.com) | Patent [zurn.com/patents](http://zurn.com/patents)

<sup>1</sup>Lead-free product. For more information, see page 254.  
 \*Regularly furnished unless otherwise specified.

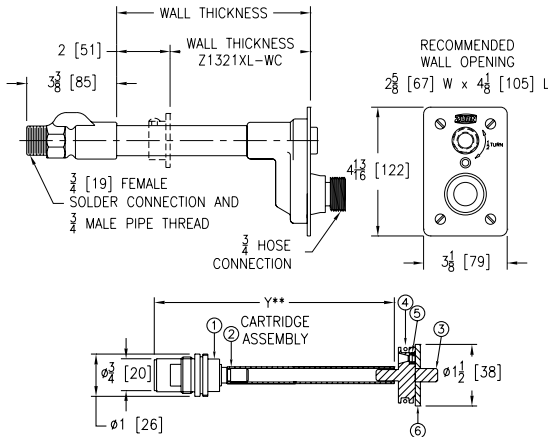
INTRO  
ROOF DRAINS  
FLOOR DRAINS  
I, P, BW VALVES  
INTERCEPTORS  
CARRIERS  
HYDRANTS  
CLEANOUTS  
WHA  
SS DRAINS  
SAN-FLOOR  
TECH INFO

## Z1321XL ECOLOTROL CERAMIC DISC WALL HYDRANT – EXPOSED, NON-FREEZE, ANTI-SIPHON, AUTOMATIC DRAINING



### ENGINEERING SPECIFICATION

Zurn Z1321XL exposed, Ecolotrol, lead-free<sup>†</sup>, non-freeze automatic draining wall hydrant is designed for flush installation. Features integral backflow preventer, anti-siphon technology, copper casing, all bronze interior components with 1/2 turn long-life ceramic disc cartridge, combination 3/4" female solder and 3/4" male pipe thread inlet connection, and 3/4" male hose connection. Furnished with Type 304 stainless steel faceplate and includes operating key.



Wall Thickness inches [mm]	Approximate Weight lb [kg]
6 [152], 8 [203]	3 [1]
10 [254], 12 [305], 14 [356]	4 [2]
16 [406], 18 [457]	5 [2]
20 [508], 22 [559], 24 [610]	6 [3]
26 [660], 30 [762]	8 [4]

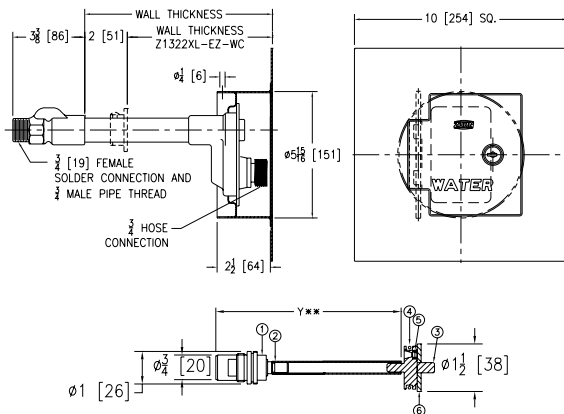
PRODUCT	DESCRIPTION	WALL THICKNESS	LIST PRICE
Z1321XL*	3/4" Hose Connection Stainless Steel Box and Face with Copper Casing	6", 8"	1,204.00
		10", 12", 14"	1,278.00
		16", 18"	1,400.00
		20", 22", 24"	1,515.00
		26", 30"	1,794.00
SUFFIXES			ADD
-PB	Polished Bronze Face		89.00
-RK	Hydrant Parts Repair Kit (HYD-RK-Z1321XL/33XL)		462.00
-RT12	Ceramic Cartridge Removal Tool (Up to 12" Wall)		71.00
-RT24	Ceramic Cartridge Removal Tool (Up to 24" Wall)		71.00
-RT36	Ceramic Cartridge Removal Tool (Up to 36" Wall)		71.00
-WC	Wall Clamp		N/C
-34EL	3/4" IP 90° Solder Inlet Elbow		N/C
-34FIP	3/4" IP Straight Female Inlet Adapter		62.00
BEST SELLERS			LIST PRICE
Z1321XL-3/4x6			1,204.00
Z1321XL-3/4x8			1,204.00
Z1321XL-3/4x10			1,278.00
Z1321XL-3/4x12			1,278.00

## Z1322XL-EZ ECOLOTROL CERAMIC DISC WALL HYDRANT – EXPOSED, NON-FREEZE, ANTI-SIPHON, AUTOMATIC DRAINING



### ENGINEERING SPECIFICATION

Zurn Z1322XL-EZ encased, Ecolotrol, lead-free<sup>†</sup>, non-freeze automatic draining wall hydrant is designed for flush installation in 6" diameter cored hole concrete exterior wall. Features integral backflow preventer, anti-siphon technology, copper casing, all bronze interior components with 1/2 turn long-life ceramic disc cartridge, combination 3/4" female solder and 3/4" male pipe thread inlet connection, and 3/4" male hose connection. Includes Type 304 stainless steel housing with large flange and hinged cover that includes operating key lock and "WATER" cast on cover.



Wall Thickness inches [mm]	Approximate Weight lb [kg]
6 [152], 8 [203]	5 [2]
10 [254], 12 [305], 14 [356]	6 [3]
16 [406], 18 [457]	7 [3]
20 [508], 22 [559], 24 [610]	8 [4]
26 [660], 30 [762]	10 [5]

PRODUCT	DESCRIPTION	WALL THICKNESS	LIST PRICE
Z1322XL-EZ*	3/4" Hose Connection Stainless Steel Box and Face with Copper Casing	6", 8"	2,826.00
		10", 12", 14"	2,905.00
		16", 18"	3,032.00
		20", 22", 24"	3,157.00
		26", 30"	3,448.00
SUFFIXES			ADD
-CL	Cylinder Lock		247.00
-RK	Hydrant Parts Repair Kit (HYD-RK-Z1321XL/33XL)		462.00
-RT12	Ceramic Cartridge Removal Tool (Up to 12" Wall)		71.00
-RT24	Ceramic Cartridge Removal Tool (Up to 24" Wall)		71.00
-RT36	Ceramic Cartridge Removal Tool (Up to 36" Wall)		71.00
-8	8" Diameter Cored Hole		N/C
-34EL	3/4" IP 90° Solder Inlet Elbow		N/C
-34FIP	3/4" IP Straight Female Inlet Adapter		62.00
BEST SELLERS			LIST PRICE
Z1322XL-EZ-3/4x6			2,826.00
Z1322XL-EZ-3/4x8			2,826.00
Z1322XL-EZ-3/4x10			2,905.00

<sup>†</sup>Lead-free product. For more information, see page 254.  
\*Regularly furnished unless otherwise specified.

Items designated as Best Sellers are most specified and are generally in stock for shipment.  
Ⓢ This symbol denotes a product that is engineered to reduce installation and rework time.  
For additional product information, please visit [www.zurn.com](http://www.zurn.com) | [Patent.zurn.com/patents](http://Patent.zurn.com/patents)

## Z1325 WALL HYDRANT – ENCASED, VARI-TEMP, NON-FREEZE

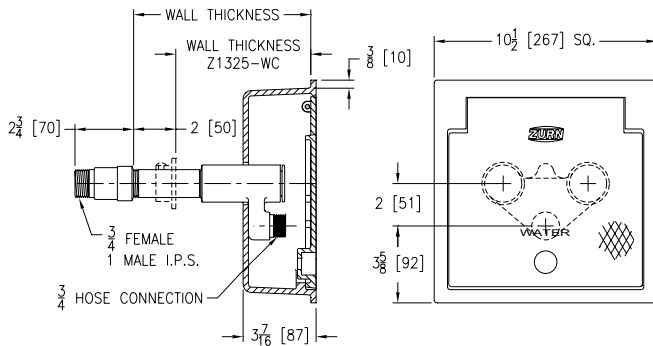


### ENGINEERING SPECIFICATION

Zurn Z1325 Vari-Temp combination hot and cold water, non-freeze, encased wall hydrant is designed for flush installation. Comes complete with bronze casing, all bronze interior components, non-turning operating rods with free-floating compression closure valves, replaceable bronze seat and seat washer, and combination 3/4" female or 1" male straight IP inlet. Includes nickel bronze box and hinged cover with operating key lock and "WATER" cast on cover.

### NOTES

When -VB vacuum breaker suffix is specified, the vacuum breaker must be manually tripped at the end of usage to facilitate drainage of the hydrant and maintain the non-freeze feature.



Wall Thickness inches [mm]	Approximate Weight lb [kg]
6 [152], 8 [203]	27 [12]
10 [254], 12 [305], 14 [356]	31 [14]
16 [406], 18 [457]	35 [16]
24 [610]	39 [18]

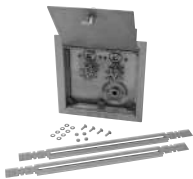
PRODUCT	DESCRIPTION	WALL THICKNESS	LIST PRICE
Z1325*	3/4" Hose Connection Nickel Bronze Box and Cover with Polished Face and Bronze Casing	6", 8" 10", 12", 14" 16", 18" 24"	5,501.00 5,654.00 6,142.00 6,449.00

SUFFIXES	ADD
-CL	Cylinder Lock 262.00
-NW	Narrow Wall (Priced same as 6-8" Wall) N/C
-RA4	24" Replacement Rod Assembly Kit 1,568.00
-RK	Hydrant Parts Repair Kit 780.00
-VB	3/4" Adapter Vacuum Breaker 194.00
-WC	Wall Clamp N/C
-34UN	3/4" IP 90° Inlet Elbow with Union Nut 132.00

SUFFIXES	DEDUCT
-PB	Polished Bronze Face (385.00)

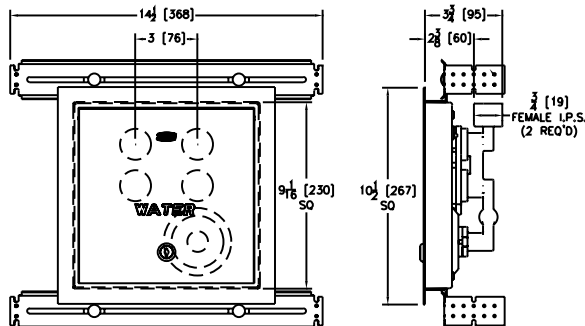
BEST SELLERS	LIST PRICE
Z1325-3/4X6	5,501.00
Z1325-3/4X6-VB	5,695.00
Z1325-3/4X8	5,501.00

## Z1327-EZ NARROW WALL HOT/COLD HYDRANT WITH MOUNTING BRACKETS – ENCASED, MODERATE CLIMATE



### ENGINEERING SPECIFICATION

Zurn Z1327-EZ encased, moderate climate hot/cold wall hydrant is designed for narrow wall installation. Features bronze body, all brass interior parts, replaceable seat washers, screwdriver operated stop valves in supply, handle operated control valves, 3/4" IP female inlets, and 3/4" male hose connection standard. Includes stainless steel box and removable hinged cover with cylinder lock and "WATER" cast on cover. Comes complete with mounting brackets, hardware for installation and horizontal adjustment inside a 16" on center stud wall.



Wall Thickness inches [mm]	Approximate Weight lb [kg]
3-1/2 [89]	11 [5]

PRODUCT	DESCRIPTION	WALL THICKNESS	LIST PRICE
Z1327-EZ*	3/4" Hose Connection Stainless Steel Face with Bronze Body	3-1/2"	4,675.00

SUFFIXES	ADD
-RK	Hydrant Parts Repair Kit 780.00
-VB	3/4" Adapter Vacuum Breaker 194.00
-24	Mounting Brackets (for 24" on Center Stud Wall) N/C

BEST SELLERS	LIST PRICE
Z1327-3/4-EZ	4,675.00
Z1327-3/4-EZ-VB	4,869.00

Items designated as Best Sellers are most specified and are generally in stock for shipment.  
 ⌚ This symbol denotes a product that is engineered to reduce installation and rework time.  
 For additional product information, please visit [www.zurn.com](http://www.zurn.com) | Patent [zurn.com/patents](http://zurn.com/patents)

\*Lead-free product. For more information, see page 254.  
 \*Regularly furnished unless otherwise specified.

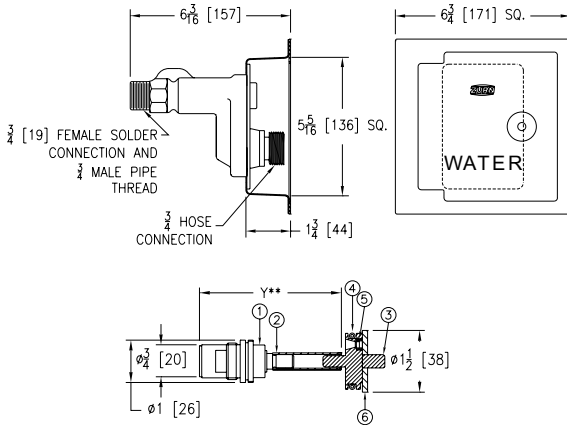
INTRO  
ROOF DRAINS  
FLOOR DRAINS  
I, P, BW VALVES  
INTERCEPTORS  
CARRIERS  
HYDRANTS  
CLEANOUTS  
WHA  
SS DRAINS  
SANI-FLOOR  
TECH INFO

## Z1330XL ECOLOTROL CERAMIC DISC WALL HYDRANT – ENCASED, ANTI-SIPHON, AUTOMATIC DRAINING, MODERATE CLIMATE



### ENGINEERING SPECIFICATION

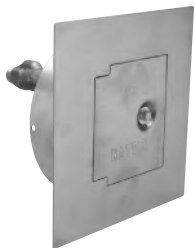
Zurn Z1330XL encased, Ecolotrol, lead-free<sup>1</sup>, anti-siphon, moderate climate, interior wall hydrant is designed for flush installation. Features integral backflow preventer, anti-siphon technology, all bronze interior components with 1/2 turn long-life ceramic disc cartridge, combination 3/4" female solder and 3/4" male pipe thread inlet connection, and 3/4" male hose connection. Includes Type 304 stainless steel, flanged housing with locking, hinged cover stamped "WATER", and operating key.



Wall Thickness inches [mm]	Approximate Weight lb [kg]
8 [203]	4 [2]

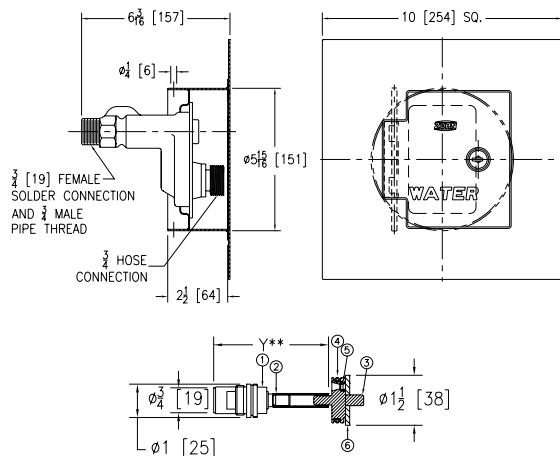
PRODUCT	DESCRIPTION	WALL THICKNESS	LIST PRICE
<b>Z1330XL*</b>	3/4" Hose Connection Stainless Steel Box and Cover with Polished Face	8"	<b>1,943.00</b>
<b>SUFFIXES</b>			<b>ADD</b>
-CL	Cylinder Lock		247.00
-NB	Polished Nickel Bronze Face		N/C
-PB	Polished Bronze Face		89.00
-RK	Hydrant Parts Repair Kit (HYD-RK-Z1321XL/33XL)		462.00
-RT12	Ceramic Cartridge Removal Tool (Up to 12" Wall)		71.00
-34EL	3/4" 90° Solder Inlet Elbow		N/C
<b>BEST SELLERS</b>			<b>LIST PRICE</b>
Z1330XL-3/4			1,943.00
Z1330XL-3/4-NB			1,943.00
Z1330XL-3/4-PB			2,032.00

## Z1332XL-EZ ECOLOTROL CERAMIC DISC WALL HYDRANT – ENCASED, ANTI-SIPHON, AUTOMATIC DRAINING, MODERATE CLIMATE



### ENGINEERING SPECIFICATION

Zurn Z1332XL-EZ encased, Ecolotrol, lead-free<sup>1</sup>, non-freeze automatic draining wall hydrant is designed for flush installation in 6" diameter cored hole concrete exterior wall. Features integral backflow preventer, anti-siphon technology, copper casing, all bronze interior components with 1/2 turn long-life ceramic disc cartridge, combination 3/4" female solder and 3/4" male pipe thread inlet connection, and 3/4" male hose connection. Includes Type 304 stainless steel housing with large flange and hinged cover that includes operating key lock and "WATER" cast on cover.



Wall Thickness inches [mm]	Approximate Weight lb [kg]
8 [203]	4 [2]

PRODUCT	DESCRIPTION	WALL THICKNESS	LIST PRICE
<b>Z1332XL-EZ*</b>	3/4" Hose Connection Stainless Steel Box and Cover with Polished Face	8"	<b>2,606.00</b>
<b>SUFFIXES</b>			<b>ADD</b>
-CL	Cylinder Lock		247.00
-RK	Hydrant Parts Repair Kit (HYD-RK-Z1321XL/33XL)		462.00
-RT12	Ceramic Cartridge Removal Tool (Up to 12" Wall)		71.00
-8	8" Diameter Cored Hole		N/C
<b>BEST SELLER</b>			<b>LIST PRICE</b>
Z1332XL-EZ-3/4			2,606.00

<sup>1</sup>Lead-free product. For more information, see page 254.

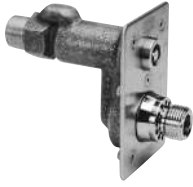
\*Regularly furnished unless otherwise specified.

Items designated as Best Sellers are most specified and are generally in stock for shipment.

Ⓢ This symbol denotes a product that is engineered to reduce installation and rework time.

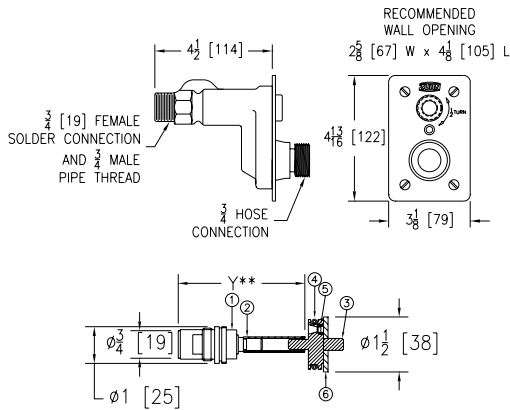
For additional product information, please visit [www.zurn.com](http://www.zurn.com) | Patent [zurn.com/patents](http://zurn.com/patents)

## Z1333XL ECOLOTROL CERAMIC DISC WALL HYDRANT – EXPOSED, ANTI-SIPHON, AUTOMATIC DRAINING, MODERATE CLIMATE



### ENGINEERING SPECIFICATION

Zurn Z1333XL exposed, Ecolotrol, lead-free\*, anti-siphon, moderate climate, interior wall hydrant is designed for flush installation. Features integral backflow preventer, anti-siphon technology, all bronze interior components with 1/2 turn long-life ceramic disc cartridge, combination 3/4" female solder and 3/4" male pipe thread inlet connection, and 3/4" male hose connection. Includes Type 304 stainless steel faceplate and operating key.



Wall Thickness inches [mm]	Approximate Weight lb [kg]
6 [152]	3 [1]

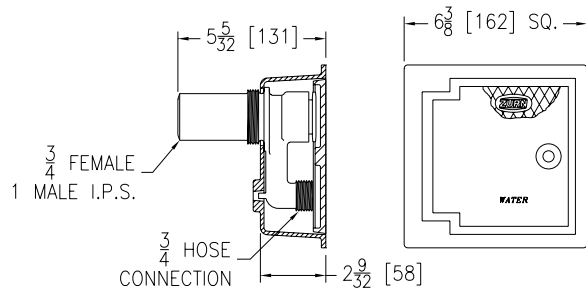
PRODUCT	DESCRIPTION	WALL THICKNESS	LIST PRICE
<b>Z1333XL*</b>	3/4" Hose Connection Stainless Steel Face	6"	<b>984.00</b>
<b>SUFFIXES</b>			<b>ADD</b>
-PB	Polished Bronze Face		<b>89.00</b>
-RK	Hydrant Parts Repair Kit (HYD-RK-Z1321XL/33XL)		<b>462.00</b>
-RT12	Ceramic Cartridge Removal Tool (Up to 12" Wall)		<b>71.00</b>
<b>BEST SELLER</b>			<b>LIST PRICE</b>
Z1333XL-3/4			<b>984.00</b>

## Z1335 WALL HYDRANT – ENCASED, MODERATE CLIMATE



### ENGINEERING SPECIFICATION

Zurn Z1335 encased flush wall hydrant is designed for moderate climate and interior wall installation. Comes complete with all bronze interior parts, non-turning operating coupling, free-floating compression closure valve, replaceable bronze seat and seat washer, and 3/4" female IP inlet. Includes nickel bronze box and hinged cover with operating key lock and "WATER" cast on cover.



Wall Thickness inches [mm]	Approximate Weight lb [kg]
6 [152]	8 [4]

PRODUCT	DESCRIPTION	WALL THICKNESS	LIST PRICE
<b>Z1335*</b>	3/4" Hose Connection Nickel Bronze Box and Cover with Polished Face	6"	<b>2,335.00</b>
<b>SUFFIXES</b>			<b>ADD</b>
-CL	Cylinder Lock		<b>262.00</b>
-RK	Hydrant Parts Repair Kit		<b>458.00</b>
-34FS	3/4" Solder Female Inlet Adapter		<b>N/C</b>
-34UN	3/4" IP 90° Inlet Elbow with Union Nut		<b>67.00</b>
<b>SUFFIXES</b>			<b>DEDUCT</b>
-CI	D.C.C.I. Box and Cover		<b>(507.00)</b>
-PB	Polished Bronze Face		<b>(294.00)</b>
<b>BEST SELLER</b>			<b>LIST PRICE</b>
Z1335-3/4			<b>2,335.00</b>

Items designated as Best Sellers are most specified and are generally in stock for shipment.  
 Ⓢ This symbol denotes a product that is engineered to reduce installation and rework time.  
 For additional product information, please visit [www.zurn.com](http://www.zurn.com) | Patent [zurn.com/patents](http://zurn.com/patents)

\*Lead-free product. For more information, see page 254.  
 \*Regularly furnished unless otherwise specified.

## Z1350 NARROW WALL HYDRANT – ENCASED, MODERATE CLIMATE



### ENGINEERING SPECIFICATION

Zurn Z1350 encased moderate climate wall hydrant is designed for narrow wall installation. Comes complete with bronze body, all bronze interior parts, replaceable seat washer, screwdriver operated stop valve in supply, key operated control valve, and 3/4" IP female inlet connection and 3/4" male hose connection standard. Includes adjustable stainless steel box furnished with hinged cover, cylinder lock, and "WATER" stamped on cover.

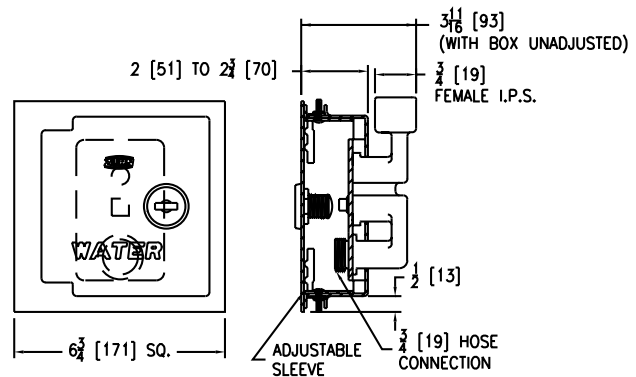
### NOTES

The adjustable sleeve on the stainless steel box is provided with a gasket as standard, but additional caulking of all inside joints is required (by others) after the hydrant box has been properly set. Caulking should be performed on all open seams, including the seams where the gasket is present.

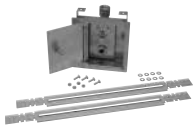
BEST SELLERS	LIST PRICE
Z1350-3/4	1,728.00
Z1350-3/4-34EL	1,728.00
Z1350-3/4-34FS-VB	1,922.00
Z1350-3/4-VB	1,922.00

Wall Thickness inches [mm]	Approximate Weight lb [kg]
4 [102]	4 [2]

PRODUCT	DESCRIPTION	WALL THICKNESS	LIST PRICE
Z1350*	3/4" Hose Connection Stainless Steel Box and Cover with Bronze Body	4"	1,728.00
SUFFIXES			ADD
-RK	Hydrant Parts Repair Kit		727.00
-VB	3/4" Adapter Vacuum Breaker		194.00
-34EL	3/4" IP 90° Inlet Elbow Adapter		N/C
-34FS	3/4" Solder Female Inlet Adapter		N/C



## Z1350-EZ NARROW WALL HYDRANT WITH MOUNTING BRACKETS – ENCASED, MODERATE CLIMATE



### ENGINEERING SPECIFICATION

Zurn Z1350-EZ encased moderate climate wall hydrant is designed for narrow wall installation. Features bronze body, all bronze interior parts, replaceable seat washer, screwdriver operated stop valve in supply, key operated control valve, and 3/4" IP female inlet and 3/4" male hose connection standard. Includes stainless steel box and hinged cover with cylinder lock and "WATER" stamped on cover. Comes complete with mounting brackets and hardware for installation and horizontal adjustment inside a 16" on center stud wall.

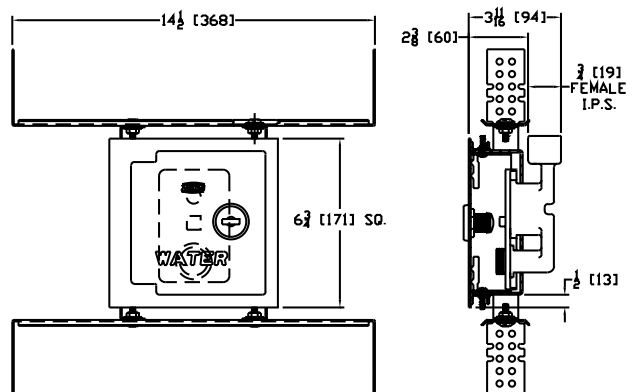
### NOTES

The adjustable sleeve on the stainless steel box is provided with a gasket as standard, but additional caulking of all inside joints is required (by others) after the hydrant box has been properly set. Caulking should be performed on all open seams, including the seams where the gasket is present.

BEST SELLERS	LIST PRICE
Z1350-3/4-EZ	1,955.00
Z1350-3/4-EZ-VB	2,149.00

Wall Thickness inches [mm]	Approximate Weight lb [kg]
4 [102]	6 [3]

PRODUCT	DESCRIPTION	WALL THICKNESS	LIST PRICE
Z1350-EZ*	3/4" Hose Connection Stainless Steel Box and Cover with Bronze Body	4"	1,955.00
SUFFIXES			ADD
-RK	Hydrant Parts Repair Kit		727.00
-VB	3/4" Adapter Vacuum Breaker		194.00
-24	Mounting Brackets (For 24" on Center Stud Wall)		N/C
-34EL	3/4" IP 90° Inlet Elbow Adapter		N/C
-34FS	3/4" Solder Female Inlet Adapter		N/C



\*Lead-free product. For more information, see page 254.  
\*Regularly furnished unless otherwise specified.

Items designated as Best Sellers are most specified and are generally in stock for shipment.  
Ⓢ This symbol denotes a product that is engineered to reduce installation and rework time.  
For additional product information, please visit [www.zurn.com](http://www.zurn.com) | Patent [zurn.com/patents](http://zurn.com/patents)

# Z1360XL GROUND HYDRANT – ENCASED, FLUSH TYPE, NON-FREEZE



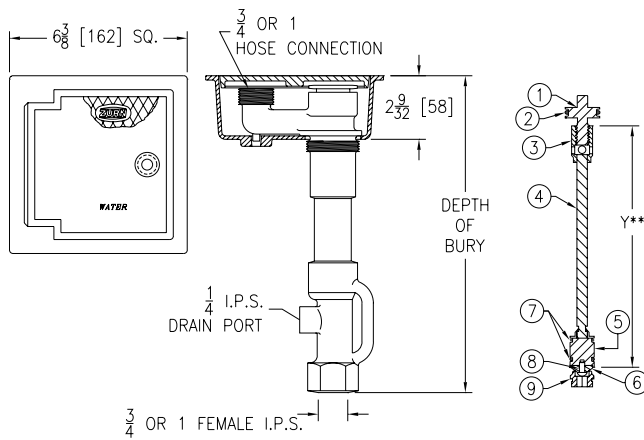
XL LEAD FREE

## ENGINEERING SPECIFICATION

Zurn Z1360-XL encased, lead-free<sup>†</sup>, non-freeze ground hydrant is designed for flush with grade or finished (non-traffic) floor installation. Features galvanized steel casing, bronze and stainless steel interior components, bronze seat and replaceable seat washer, non-turning operating rod, and free-floating compression closure valve with 3/4" or 1" inlet connection with 1/4" tapped drainage port on housing, and 3/4" or 1" male hose connection. Includes plain bronze box and locking, hinged, scoriated cover stamped "WATER" and operating key.

## NOTES

‡Non-Freeze feature will not automatically function when (-VB suffix) vacuum breaker is specified. The vacuum breaker must be manually tripped to facilitate drainage of hydrant.



Depth of Bury feet [m]	Approximate Weight lb [kg]
2 [0.61]	17 [8]
3 [0.91]	21 [10]
4 [1.22]	25 [11]
5 [1.52]	33 [15]
6 [1.83]	39 [18]
7 [2.13]	43 [20]
8 [2.44]	47 [21]
9 [2.74]	52 [24]
10 [3.05]	56 [25]

PRODUCT	DESCRIPTION	DEPTH OF BURY FEET	LIST PRICE
<b>Z1360XL*</b>	3/4" Hose Connection Bronze Box and Scoriated Cover with Galvanized Steel Casing	2'	<b>2,875.00</b>
		3'	<b>3,083.00</b>
		4'	<b>3,303.00</b>
		5'	<b>3,538.00</b>
		6'	<b>3,752.00</b>
		7'	<b>3,968.00</b>
		8'	<b>4,186.00</b>
		9'	<b>4,419.00</b>
		10'	<b>4,626.00</b>
			1" Hose Connection Bronze Box and Scoriated Cover with Galvanized Steel Casing
3'	<b>3,533.00</b>		
4'	<b>3,749.00</b>		
5'	<b>3,989.00</b>		
6'	<b>4,199.00</b>		
7'	<b>4,418.00</b>		
8'	<b>4,636.00</b>		
9'	<b>4,871.00</b>		
10'	<b>5,075.00</b>		

SUFFIXES		ADD
<b>-DP12</b>	1/2" IP Drain Port in Box	<b>247.00</b>
<b>-DP14</b>	1/4" IP Drain Port in Box	<b>247.00</b>
<b>-DP38</b>	3/8" IP Drain Port in Box	<b>247.00</b>
<b>-HD-8</b>	Heavy-Duty Ductile Iron Cover with Cast Iron Box	<b>519.00</b>
<b>-HD-10</b>	Heavy-Duty Stainless Steel Cover with Nickel Box	<b>1,098.00</b>
<b>-K</b>	Flashing Flange Only	<b>1,081.00</b>
<b>-KC</b>	Flashing Flange with Clamp Collar	<b>1,175.00</b>
<b>-NB</b>	Polished Nickel Bronze Face	<b>363.00</b>
<b>-PB</b>	Polished Bronze Face	<b>84.00</b>
<b>-RK</b>	Hydrant Parts Repair Kit (HYD-RK-Z1360XL)	<b>462.00</b>
<b>-VB</b>	3/4" Adapter Vacuum Breaker‡ (Requires deeper box to accommodate vacuum breaker)	<b>196.00</b>

SUFFIXES		DEDUCT
<b>-CI</b>	D.C.C.I. Box and Cover	<b>(479.00)</b>

BEST SELLERS	LIST PRICE
Z1360-3/4X2	<b>2,875.00</b>
Z1360-3/4X2-NB	<b>3,238.00</b>
Z1360-3/4X3	<b>3,083.00</b>
Z1360-3/4X4	<b>3,303.00</b>

Items designated as Best Sellers are most specified and are generally in stock for shipment.  
 Ⓢ This symbol denotes a product that is engineered to reduce installation and rework time.  
 For additional product information, please visit [www.zurn.com](http://www.zurn.com) | Patent [zurn.com/patents](http://zurn.com/patents)

<sup>†</sup>Lead-free product. For more information, see page 254.  
<sup>‡</sup>Regularly furnished unless otherwise specified.

INTRO  
 ROOF DRAINS  
 FLOOR DRAINS  
 I.P. BW VALVES  
 INTERCEPTORS  
 CARRIERS  
 HYDRANTS  
 CLEANOUTS  
 WHA  
 SS DRAINS  
 SANI-FLOOR  
 TECH INFO



## Z1365 GROUND HYDRANT – ENCASED, FLUSH TYPE, NON-FREEZE

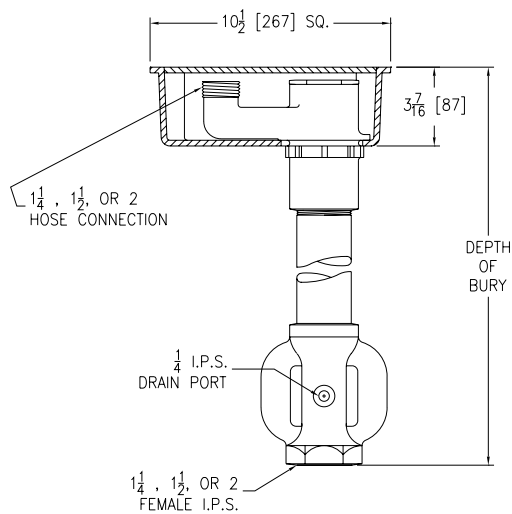


### ENGINEERING SPECIFICATION

Zurn Z1365 encased, non-freeze ground hydrant is designed for flush with grade or finished floor installation. Features galvanized steel casing, all bronze interior parts, bronze seat and replaceable seat washer, and non-turning operating rod with free-floating compression closure valve with 1-1/4", 1-1/2", or 2" connection. Includes Dura-Coated cast iron box and hinged scoriated cover with operating "T" handle key lock and "WATER" cast on cover. Hydrant is equipped with a tapped 1/4" NPT drain port in valve housing.

### NOTES

Important: Hydrant must be opened one turn minimum to seal drain port during use.



Depth of Bury feet [m]	Approximate Weight lb [kg]
2 [0.61]	42 [19]
3 [0.91]	46 [21]
4 [1.22]	50 [23]
5 [1.52]	54 [24]
6 [1.83]	58 [26]

PRODUCT	DESCRIPTION	DEPTH OF BURY FEET	LIST PRICE
<b>Z1365*</b>	1-1/4" Inlet/Hose Connection	2'	12,686.00
	D.C.C.I. Box and Scoriated Cover with Galvanized Steel Casing	3'	13,092.00
	1-1/2" Inlet/Hose Connection	2'	13,918.00
	D.C.C.I. Box and Scoriated Cover with Galvanized Steel Casing	3'	14,336.00
		4'	14,741.00
		5'	15,185.00
		6'	15,623.00
	2" Inlet/Hose Connection D.C.C.I. Box and Scoriated Cover with Galvanized Steel Casing	2'	16,246.00
		3'	16,660.00
		4'	17,064.00
		5'	17,513.00
		6'	17,951.00
SUFFIXES			ADD
<b>-DP14</b>	1/4" IP Drain Port in Box		262.00
<b>-NB</b>	Polished Nickel Bronze Face		794.00
<b>-PB</b>	Polished Bronze Face		458.00
<b>-RK</b>	Hydrant Parts Repair Kit		1,666.00
BEST SELLERS			LIST PRICE
Z1365-1-1/2X14			POA
Z1365-1-1/2X14-PB			POA

\*Lead-free product. For more information, see page 254.  
 \*Regularly furnished unless otherwise specified.

Items designated as Best Sellers are most specified and are generally in stock for shipment.  
 Ⓢ This symbol denotes a product that is engineered to reduce installation and rework time.  
 For additional product information, please visit [www.zurn.com](http://www.zurn.com) | [Patent.zurn.com/patents](http://Patent.zurn.com/patents)

# Z1370 GROUND HYDRANT – ENCASED, HOSE STORAGE, NON-FREEZE

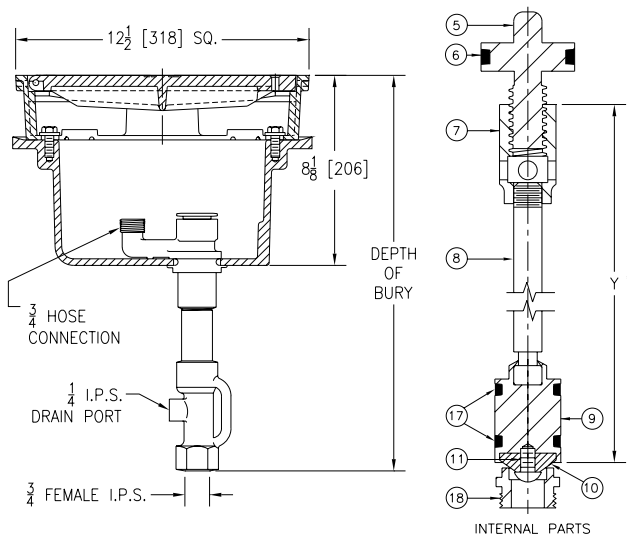


## ENGINEERING SPECIFICATION

Zurn Z1370 encased, non-freeze ground hydrant is designed for flush with grade or finished floor installation. Features galvanized steel casing, all bronze interior components bronze seat and replaceable seat washer, and non-turning operating rod with free-floating compression closure valve. Dura-Coated cast iron box provides hose storage and comes complete with hinged, scoriated cover with operating key lock. Hydrant is equipped with a tapped 1/4" NPT drain port in valve housing. (Hose should always be disconnected for storage.)

## NOTES

Important: Hydrant must be opened one turn minimum to seal drain port during use.



Depth of Bury feet [m]	Approximate Weight lb [kg]
2 [0.61]	81 [37]
3 [0.91]	85 [39]
4 [1.22]	89 [40]
6 [1.83]	97 [44]

PRODUCT	DESCRIPTION	DEPTH OF BURY FEET	LIST PRICE
<b>Z1370*</b>	3/4" Hose Connection D.C.C.I. Box and Scoriated Cover with Galvanized Steel Casing	2'	<b>5,486.00</b>
		3'	<b>5,731.00</b>
		4'	<b>5,905.00</b>
		6'	<b>6,125.00</b>

SUFFIXES	ADD	LIST PRICE
<b>-BC</b>	Bronze Casing	<b>521.00</b>
<b>-DP12</b>	1/2" IP Drain Port in Box	<b>262.00</b>
<b>-NB</b>	Polished Nickel Bronze Face (Add 3/16" to 8-1 1/2" Dim. and 3/4" to 12-1 1/2" Dim.)	<b>4,104.00</b>
<b>-RK</b>	Hydrant Parts Repair Kit	<b>458.00</b>
<b>BEST SELLER</b>		<b>LIST PRICE</b>
Z1370-3/4X2		<b>5,486.00</b>

Items designated as Best Sellers are most specified and are generally in stock for shipment.  
 ⌚ This symbol denotes a product that is engineered to reduce installation and rework time.  
 For additional product information, please visit [www.zurn.com](http://www.zurn.com) | Patent [zurn.com/patents](http://zurn.com/patents)

\*Lead-free product. For more information, see page 254.  
 \*Regularly furnished unless otherwise specified.

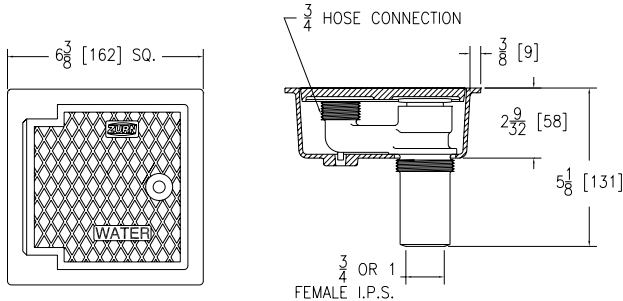
INTRO  
ROOF DRAINS  
FLOOR DRAINS  
I, P, BW VALVES  
INTERCEPTORS  
CARRIERS  
HYDRANTS  
CLEANOUTS  
WHA  
SS DRAINS  
SANI-FLOOR  
TECH INFO

## Z1375 GROUND HYDRANT – ENCASED, MODERATE CLIMATE, INTERIOR USE



### ENGINEERING SPECIFICATION

Zurn Z1375 encased, moderate climate ground hydrant is designed for flush with grade or finished floor installation. Comes complete with all bronze interior parts, replaceable bronze seat and seat washer, and non-turning operating coupling with free-floating compression closure valve. Includes Dura-Coated cast iron box and hinged, scoriated cover with "WATER" cast on cover.



### Approximate Weight lb [kg]

8 [4]

PRODUCT	DESCRIPTION	APP. WT. LBS.	LIST PRICE
Z1375*	3/4" Hose Connection D.C.C.I. Box and Scoriated Cover with Bronze Hydrant	8	2,067.00
SUFFIXES		ADD	
-DP14	1/4" Drain Port in Box		262.00
-HD-8	Heavy-Duty Ductile Iron Cover with Cast Iron Box		546.00
-HD-10	Heavy Duty Stainless Steel Cover with Nickel Box		1,164.00
-NB	Polished Nickel Bronze Face		507.00
-PB	Polished Bronze Face		218.00
-RK	Hydrant Parts Repair Kit		458.00
-VB	3/4" Adapter Vacuum Breaker (Requires deeper box to accommodate vacuum breaker)		194.00
BEST SELLER		LIST PRICE	
Z1375-3/4			2,067.00

## Z1385 POST HYDRANT – EXPOSED HEAD, NON-FREEZE

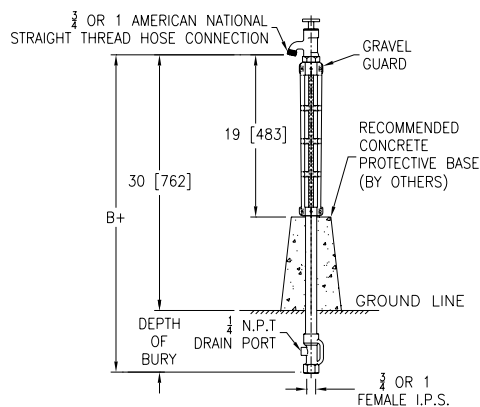


### ENGINEERING SPECIFICATION

Zurn Z1385 exposed, non-freeze post hydrant features galvanized steel casing and cast aluminum casing guard, all bronze interior parts, bronze seat and replaceable seat washer, and non-turning operating rod with free-floating compression closure valve with 3/4" or 1" connection. Includes operating key. Hydrant is equipped with a tapped 1/4" NPT drain port in valve housing.

### NOTES

- 'B' dimension based on outlet connection 30" above ground.
- Important: Hydrant must be opened one turn minimum to seal drain port during use.
- Non-Freeze feature will not automatically function when (-VB suffix) vacuum breaker is specified. The vacuum breaker must be manually tripped to facilitate drainage of hydrant.



Depth of Bury feet [m]	B+ feet [m]	Approximate Weight lb [kg]
2 [0.61]	4-1/2 [1.37]	25 [11]
3 [0.91]	5-1/2 [1.68]	29 [13]
4 [1.22]	6-1/2 [1.98]	33 [15]
5 [1.52]	7-1/2 [2.29]	37 [17]
6 [1.83]	8-1/2 [2.59]	41 [19]
7 [2.13]	9-1/2 [2.90]	45 [20]
8 [2.44]	10-1/2 [3.20]	49 [22]

PRODUCT	DESCRIPTION	DEPTH OF BURY FEET	LIST PRICE
Z1385*	3/4" Inlet/Hose Connection Bronze Exposed Head with Galvanized Steel Casing and Aluminum Casing Guard	2'	2,913.00
		3'	3,149.00
		4'	3,389.00
		5'	3,635.00
		6'	3,884.00
		7'	4,155.00
		8'	4,416.00
		1" Inlet/Hose Connection Bronze Exposed Head with Galvanized Steel Casing and Aluminum Casing Guard	2'
3'	3,964.00		
4'	4,203.00		
5'	4,444.00		
6'	4,695.00		
7'	4,960.00		
8'	5,221.00		
SUFFIXES			ADD
-RK	Hydrant Parts Repair Kit		458.00
-VB	3/4" Adapter Vacuum Breaker†		194.00
-WH	Wheel Handle		403.00
BEST SELLERS		LIST PRICE	
Z1385-3/4X2			2,913.00
Z1385-3/4X2-VB			3,107.00
Z1385-3/4X3			3,149.00

\*Lead-free product. For more information, see page 254.

†Regularly furnished unless otherwise specified.

Items designated as Best Sellers are most specified and are generally in stock for shipment.

Ⓢ This symbol denotes a product that is engineered to reduce installation and rework time.

For additional product information, please visit [www.zurn.com](http://www.zurn.com) | [Patent.zurn.com/patents](http://Patent.zurn.com/patents)

## Z1388XL ROOF HYDRANT – EXPOSED HEAD, NON-FREEZE



### ENGINEERING SPECIFICATION

Zurn Z1388XL exposed, lead-free†, non-freeze roof hydrant features a Dura-Coated cast iron head and lift handle with lock option, galvanized steel casing, bronze and stainless steel interior components, 3/4" inlet connection with 1/8" tapped drain port on housing, and 3/4" male hose connection. Comes complete with Dura-Coated cast iron roof support sleeve, wide anchoring flange, and clamp collar.

### NOTES

†Non-Freeze feature will not automatically function when vacuum breaker (-VB suffix) is specified. The vacuum breaker must be manually tripped to facilitate drainage of hydrant.



XL LEAD FREE

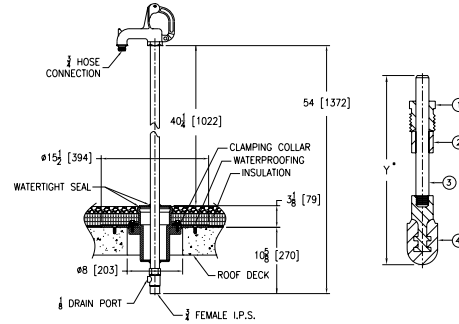
#### Approximate Weight lb [kg]

27 [12]

#### BEST SELLERS

	LIST PRICE
Z1388XL	4,397.00
Z1388XL-VB	4,593.00

PRODUCT	DESCRIPTION	APP. WT. LBS.	LIST PRICE
<b>Z1388XL*</b>	3/4" Inlet/Hose Connection	27	<b>4,397.00</b>
SUFFIXES		ADD	
<b>-AC</b>	Aluminum Casing Guard		<b>307.00</b>
<b>-RK</b>	Hydrant Parts Repair Kit (HYD-RK-Z1395XL)		<b>342.00</b>
<b>-VB</b>	3/4" Adapter Vacuum Breaker†		<b>196.00</b>



## Z1390 POST HYDRANT – EXPOSED HEAD, NON-FREEZE



### ENGINEERING SPECIFICATION

Zurn Z1390 exposed, non-freeze post hydrant features galvanized steel casing and cast aluminum casing guard, all bronze interior parts, bronze seat and replaceable seat washer, and non-turning operating rod with free-floating compression closure valve with 1-1/4", 1-1/2", or 2" connection. Includes T-handle operating key. Hydrant is equipped with a tapped 1/4" NPT drain port in valve housing.

### NOTES

- 'B' dimension based on outlet connection 30" above ground.
- Important: Hydrant must be opened one turn minimum to seal drain port during use.

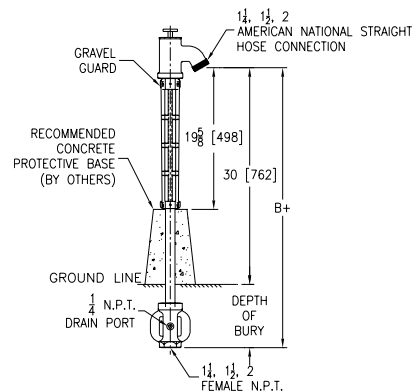
Depth of Bury feet [m]	B+ feet [m]	Approximate Weight lb [kg]
3 [0.91]	5-1/2 [1.68]	62 [28]
4 [1.22]	6-1/2 [1.98]	67 [30]
5 [1.52]	7-1/2 [2.29]	72 [33]
6 [1.83]	8-1/2 [2.59]	77 [35]
8 [2.44]	10-1/2 [3.20]	87 [39]

#### BEST SELLERS

	LIST PRICE
Z1390-1-1/2X3	10,538.00
Z1390-1-1/2X4	11,260.00

PRODUCT	DESCRIPTION	DEPTH OF BURY FEET	LIST PRICE
<b>Z1390*</b>	1-1/4" Hose Connection Bronze Exposed Head with Galvanized Steel Casing and Aluminum Casing Guard	3'	<b>7,912.00</b>
		4'	<b>8,626.00</b>
		5'	<b>9,049.00</b>
		6'	<b>9,465.00</b>
	1-1/2" Hose Connection Bronze Exposed Head with Galvanized Steel Casing and Aluminum Casing Guard	8'	<b>10,420.00</b>
		3'	<b>10,538.00</b>
		4'	<b>11,260.00</b>
		5'	<b>11,679.00</b>
	2" Hose Connection Bronze Exposed Head with Galvanized Steel Casing and Aluminum Casing Guard	6'	<b>12,087.00</b>
		8'	<b>13,045.00</b>
		3'	<b>13,039.00</b>
		4'	<b>13,753.00</b>
		5'	<b>14,178.00</b>
		6'	<b>14,590.00</b>
		8'	<b>15,545.00</b>

SUFFIXES	ADD	
<b>-RK</b>	Hydrant Parts Repair Kit	<b>1,666.00</b>
<b>-WH</b>	Wheel Handle	<b>790.00</b>



Items designated as Best Sellers are most specified and are generally in stock for shipment. ⌚ This symbol denotes a product that is engineered to reduce installation and rework time. For additional product information, please visit [www.zurn.com](http://www.zurn.com) | Patent [zurn.com/patents](http://zurn.com/patents)

†Lead-free product. For more information, see page 254. \*Regularly furnished unless otherwise specified.

## Z1395XL YARD HYDRANT – EXPOSED HEAD, NON-FREEZE



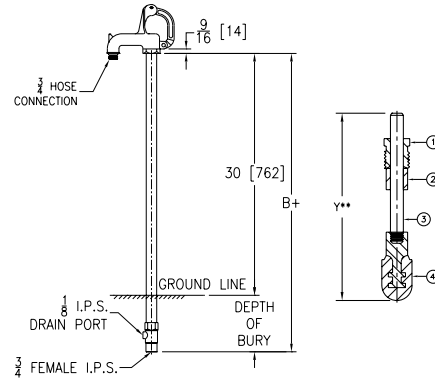
### ENGINEERING SPECIFICATION

Zurn Z1395XL exposed, lead-free<sup>1</sup>, non-freeze yard hydrant features a Dura-Coated cast iron head and lift handle with lock option, galvanized steel casing, bronze and stainless steel interior components, 3/4" inlet connection with 1/8" tapped drainage port on housing, and 3/4" male hose connection.

### NOTES

1. B' dimension based on outlet connection 30" above ground.
2. †Non-Freeze feature will not automatically function when vacuum breaker (-VB suffix) is specified. The vacuum breaker must be manually tripped to facilitate drainage of hydrant.

Depth of Bury feet [m]	B+ feet [m]	Approximate Weight lb [kg]
2 [0.61]	4-1/2 [1.37]	15 [7]
3 [0.91]	5-1/2 [1.68]	19 [9]
4 [1.22]	6-1/2 [1.98]	23 [10]
5 [1.52]	7-1/2 [2.29]	27 [12]
6 [1.83]	8-1/2 [2.59]	31 [14]
8 [2.44]	10-1/2 [3.20]	39 [18]



PRODUCT	DESCRIPTION	DEPTH OF BURY FEET	LIST PRICE
Z1395XL*	3/4" Hose Connection D.C.C.I. Head with Galvanized Steel Casing	2'	1,740.00
		3'	1,861.00
		4'	1,908.00
		5'	1,963.00
		6'	2,020.00
		8'	2,183.00
SUFFIXES			ADD
-AC	Aluminum Casing Guard		307.00
-RK	Hydrant Parts Repair Kit		369.00
-VB	3/4" Adapter Vacuum Breaker†		196.00
BEST SELLERS			LIST PRICE
Z1395XL-3/4x2			1,740.00
Z1395XL-3/4x3			1,861.00

## Z1397XL FLO-TROL YARD HYDRANT – EXPOSED HEAD, NON-FREEZE



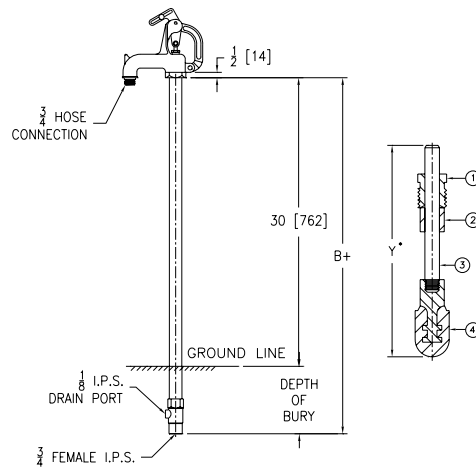
### ENGINEERING SPECIFICATION

Zurn Z1397XL exposed, lead-free<sup>1</sup>, non-freeze yard hydrant features a Dura-Coated cast iron head and lift handle with lock option, slotted links for adjustable locking flow control, galvanized steel casing, bronze and stainless steel interior components, 3/4" inlet connection with 1/8" tapped drainage port on housing, and 3/4" male hose connection.

### NOTES

1. †Non-Freeze feature will not automatically function when vacuum breaker (-VB suffix) is specified. The vacuum breaker must be manually tripped to facilitate drainage of hydrant.

Depth of Bury feet [m]	B+ feet [m]	Approximate Weight lb [kg]
2 [0.61]	4-1/2 [1.37]	15 [7]
3 [0.91]	5-1/2 [1.68]	19 [9]
4 [1.22]	6-1/2 [1.98]	23 [10]
5 [1.52]	7-1/2 [2.29]	27 [12]
6 [1.83]	8-1/2 [2.59]	31 [14]
8 [2.44]	10-1/2 [3.20]	39 [18]



PRODUCT	DESCRIPTION	DEPTH OF BURY FEET	LIST PRICE
Z1397XL*	3/4" Hose Connection D.C.C.I. Head with Galvanized Steel Casing	2'	1,740.00
		3'	1,861.00
		4'	1,908.00
		5'	1,963.00
		6'	2,020.00
		8'	2,183.00
SUFFIXES			ADD
-AC	Aluminum Casing Guard		307.00
-RK	Hydrant Parts Repair Kit		369.00
-VB	3/4" Adapter Vacuum Breaker†		196.00

<sup>1</sup>Lead-free product. For more information, see page 254.  
\*Regularly furnished unless otherwise specified.

Items designated as Best Sellers are most specified and are generally in stock for shipment.  
Ⓢ This symbol denotes a product that is engineered to reduce installation and rework time.  
For additional product information, please visit [www.zurn.com](http://www.zurn.com) | [Patent.zurn.com/patents](http://Patent.zurn.com/patents)

# CLEANOUTS

CLEANOUTS – APPLICATION INDEX	270
🕒 <b>Z1400-BZ1</b> FLOOR CLEANOUT WITH "TYPE B" COVER AND EZ1™ TECHNOLOGY	271
🕒 <b>Z1400-SZ1</b> BODY ASSEMBLY W/ "TYPE S" COVER AND EZ1™ TECHNOLOGY	272
🕒 <b>Z1400-BZ1-DP</b> BODY ASSEMBLY W/ "TYPE B" COVER, DECK PLATE AND EZ1™ TECHNOLOGY	273
🕒 <b>Z1400-SZ1-DP</b> BODY ASSEMBLY W/ "TYPE S" COVER, DECK PLATE AND EZ1™ TECHNOLOGY	274
🕒 <b>Z1400B-DP</b> BODY ASSEMBLY W/ "TYPE B" COVER AND DECK PLATE	275
🕒 <b>Z1400S-DP</b> BODY ASSEMBLY W/ "TYPE S" COVER AND DECK PLATE	275
<b>Z1400</b> EXTRA HEAVY-DUTY "LEVEL-TROL" ADJUSTABLE FLOOR CLEANOUT	276
<b>Z1400-K</b> HEAVY-DUTY "LEVEL-TROL" ADJUSTABLE FLOOR CLEANOUT WITH ANCHOR FLANGE	277
<b>Z1402</b> HEAVY-DUTY NON-ADJUSTABLE FLOOR CLEANOUT	278
<b>Z1404</b> HEAVY-DUTY FLOOR ACCESS HOUSING	279
<b>Z1406</b> HEAVY-DUTY ADJUSTABLE SPIGOT CLEANOUT	279
<b>Z1440</b> CLEANOUT FERRULE WITH PLUG	280
<b>Z1445</b> CLEANOUT TEE	280
<b>Z1446</b> CLEANOUT WITH ROUND WALL ACCESS COVER	281
<b>Z1449</b> CLEANOUT FERRULE WITH PLUG	281
<b>Z1454</b> ADJUSTABLE FLOOR CLEANOUT WITH FLASHING FLANGE	282
<b>Z1456</b> DECK CLEANOUT	282
<b>Z1457</b> FLOOR ACCESS COVER	283
<b>Z1460</b> SQUARE WALL ACCESS PANEL	283
<b>Z1461</b> SQUARE HINGED ACCESS PANEL	284
<b>Z1462</b> SECURED WALL ACCESS PANEL	284
<b>Z1463</b> ROUND SCORIATED ACCESS COVER	285
<b>Z1464</b> WATER SUPPLY CONTROL BOX ASSEMBLY	285
<b>Z1468</b> ACCESS COVER AND PLUG	286
<b>Z1469</b> ROUND ACCESS COVER	286
<b>Z1470</b> BRONZE CLEANOUT PLUG	287
<b>Z1471</b> AIR INLET	287
<b>Z1474</b> HEAVY-DUTY CLEANOUT HOUSING	288

## CLEANOUTS – APPLICATION INDEX

Product selection should be made with a specific application and the type of construction in mind. The varied types and sizes of Zurn cleanouts, along with their options, offer a selection for all applications.

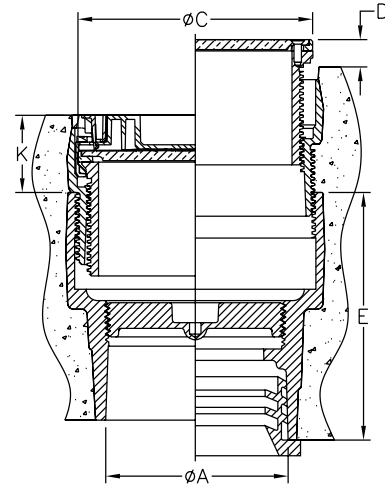
APPLICATION	TYPE	RECOMMENDED CLEANOUT
Finished Floor Areas	"Level-Trol" Adjustable	Z1400, Z1400-K, ZN1400, ZN1454
	Non-Adjustable	ZN1402
	Linoleum, Tile or Composition Floors (Adjustable)	Z1400B-DP, Z1400S-DP, ZN1400-K, ZN1400-TX (Square), ZN1400-X (Round)
	Linoleum, Tile or Composition Floors (Adjustable) with EZ1™ Technology (Post Pour Adjustment)	Z1400-BZ1, Z1400-SZ1, Z1400-BZ1-DP, Z1400-SZ1-DP
	Linoleum, Tile or Composition Floors (Non-Adjustable)	ZN1402-TX (Square), ZN1402-X (Round)
	Terrazzo Floors	Z1400-K, ZN1400-Z
Heavy Traffic and Industrial Areas	"Level-Trol" Adjustable	Z1400, ZN1400-HD (Round or Square), Z1400-K
	Non-Adjustable	ZN1402-HD, Z1474
Medium Traffic and Areaways	Adjustable (Finished Area)	Z1454, Z1404
Exposed Drainage Lines	Horizontal and Vertical Cleanouts	Z1440, Z1445
Access Covers and Boxes	Deck Areas	Z1456, Z1457, Z1463
	Square Covers	Z1460, Z1461, Z1462
	Round Covers	Z1463, Z1469
	Access Boxes	Z1464
Air Inlets	Finished Areas	Z1471
General Purpose	Cleanout	Z1440, Z1445, Z1449
	Cleanout Plug	Z1470

# 🕒 Z1400-BZ1 FLOOR CLEANOUT WITH "TYPE B" COVER AND EZ1™ TECHNOLOGY



## ENGINEERING SPECIFICATION

Zurn Z1400-BZ1 cleanout features Dura-Coated cast iron body with bottom outlet, gas and water tight threaded ABS tapered plug, and top assembly. EZ1 drainage series is engineered to simplify product installation. Rough-in adapter provides up to 1-1/4" [32] of vertical post pour adjustment, pre-packaged shims for tilt correction, and integrated, self-contained Type B light duty scoriated cover with rough-in cover for protection during concrete pour. Cleanout is designed in accordance with ASME A112.36.2M.



Cover Designation	Dimensions in inches						Approximate Weight lb [kg]
	A Pipe Size	C	D		K		
			Min.	Max.	Min.	Max.	
-5B	2 [51]	5-5/32 [131]	0	1 [25]	1-23/32 [44]	2-15/16 [75]	10 [5]
	3-4 [76-102]	5-5/32 [131]	0	1 [25]	1-23/32 [44]	2-15/16 [75]	12 [5]
-6B	2 [51]	6-8/32 [156]	0	31/32 [25]	1-11/16 [43]	2-27/32 [72]	11 [5]
	3-4 [76-102]	6-8/32 [156]	0	31/32 [25]	1-11/16 [43]	2-27/32 [72]	13 [6]
-8B	6 [152]	7-7/8 [200]	0	1 [25]	1-7/8 [48]	3-1/32 [77]	19 [9]

PREFIXES	DESCRIPTION	PIPE SIZE	LIST PRICE
<b>ZN1400-BZ1*</b>	D.C.C.I. with Polished Nickel Bronze Top	2"	857.00
		3"	903.00
		4"	1,209.00
		6"	1,961.00
<b>ZB1400-BZ1</b>	D.C.C.I. with Polished Bronze Top	2"	770.00
		3"	828.00
		4"	1,123.00
		6"	1,885.00
<b>ZS1400-BZ1</b>	D.C.C.I. with Polished Type 304 (CF8) Stainless Steel Top	2"	POA
		3"	POA
		4"	POA
		6"	POA

OUTLET (SPECIFY PIPE SIZE IN INCHES AND TYPE OF OUTLET)				
TYPE	DESCRIPTION	PIPE SIZE/OUTLET TYPE	E BODY HT. DIM.	ADD
<b>NH</b>	No-Hub	2NH, 3NH	4-3/4"	N/C
		4NH	5"	N/C
		6NH	5-1/2"	N/C
<b>NL</b>	Neo-Loc	2NL, 4NL	4-3/4"	N/C
		3NL	5-7/16"	N/C
		6NL	5-1/2"	N/C

SUFFIXES	DESCRIPTION	ADD
<b>-AR</b>	Acid Resisting Epoxy Coated Finish	482.00
<b>-BP</b>	Bronze Plug	2", 3", 4" 269.00
<b>-G</b>	Galvanized Cast Iron	307.00
🕒 <b>-TC</b>	Neo-Loc Test Cap Gasket (2", 3", 4" NL Bottom Outlet Only)	36.00
<b>-UP</b>	1-3/4" Pre-Pour Adjustment Extension Adapter	195.00
<b>-VP</b>	Vandal-Proof Screws	101.00

\*Regularly furnished unless otherwise specified.

Items designated as Best Sellers are most specified and are generally in stock for shipment.

🕒 This symbol denotes a product that is engineered to reduce installation and rework time.

For additional product information, please visit [www.zurn.com](http://www.zurn.com)

Patent [zurn.com/patents](http://zurn.com/patents)

INTRO  
ROOF DRAINS  
FLOOR DRAINS  
I, P, BW VALVES  
INTERCEPTORS  
CARRIERS  
HYDRANTS  
CLEANOUTS  
WHA  
SS DRAINS  
SANI-FLOOR  
TECH INFO



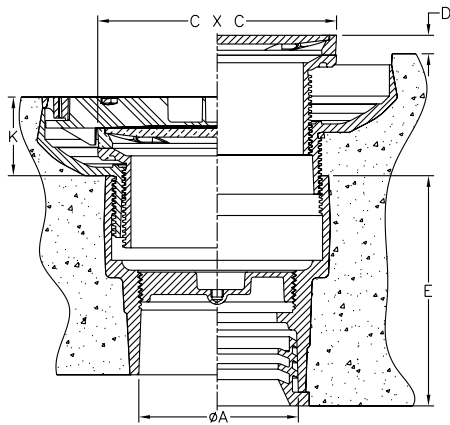
# ⌚ Z1400-SZ1 BODY ASSEMBLY W/ "TYPE S" COVER AND EZ1™ TECHNOLOGY



## ENGINEERING SPECIFICATION

Zurn Z1400-SZ1 cleanout features Dura-Coated cast iron body, bottom outlet, gas and water tight threaded ABS tapered plug, and top assembly. EZ1 drainage series is engineered to simplify product installation. Concrete shield provides up to 1-1/4" [32] of vertical post pour adjustment, pre-packaged shims for tilt correction, and integrated, self-contained Type S light duty scoriated cover with rough-in cover for protection during concrete pour. Cleanout is designed in accordance with ASME A112.36.2M.

Cover Designation	Dimensions in inches						Approximate Weight lb [kg]
	A Pipe Size	Cx C	D		K		
			Min.	Max.	Min.	Max.	
-5S	2 [51]	5 X 5 [127 X 127]	0	1 [25]	1-15/16 [49]	3-1/8 [79]	12 [5]
	3-4 [76-102]	5 X 5 [127 X 127]	0	1 [25]	1-15/16 [49]	3-1/8 [79]	14 [6]
-6S	2 [51]	6 X 6 [152 X 152]	0	3/32 [25]	2 [51]	3-3/16 [81]	13 [6]
	3-4 [76-102]	6 X 6 [152 X 152]	0	3/32 [25]	2 [51]	3-3/16 [81]	15 [7]



PREFIXES	DESCRIPTION	PIPE SIZE	LIST PRICE
ZN1400-SZ1*	D.C.C.I. with Polished Nickel Bronze Top	2"	857.00
		3"	903.00
		4"	1,209.00
ZB1400-SZ1	D.C.C.I. with Polished Bronze Top	2"	857.00
		3"	903.00
		4"	1,209.00
ZS1400-SZ1	D.C.C.I. with Polished Type 304 (CF8) Stainless Steel Top	2"	POA
		3"	POA
		4"	POA

OUTLET (SPECIFY PIPE SIZE IN INCHES AND TYPE OF OUTLET)				
TYPE	DESCRIPTION	PIPE SIZE/ OUTLET TYPE	E BODY HT. DIM.	ADD
NH	No-Hub	2NH, 3NH	4-3/4"	N/C
		4NH	5"	N/C
NL	Neo-Loc	2NL, 4NL	4-3/4"	N/C
		3NL	5-7/16"	N/C
SUFFIXES				ADD
-AR	Acid Resisting Epoxy Coated Finish			482.00
-BP	Bronze Plug	2", 3", 4"		269.00
-G	Galvanized Cast Iron			307.00
⌚ -TC	Neo-Loc Test Cap Gasket (2", 3", 4" NL Bottom Outlet Only)			36.00
-VP	Vandal-Proof Screws			101.00

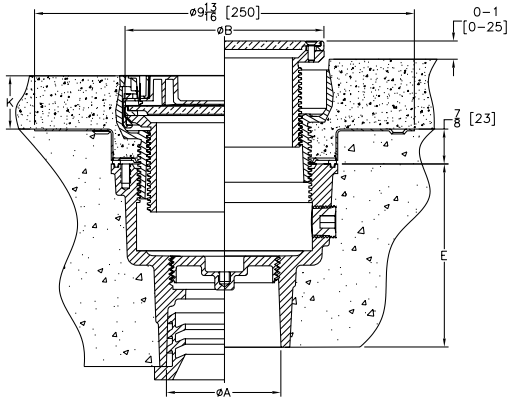
**🕒 Z1400-BZ1-DP BODY ASSEMBLY W/ "TYPE B" COVER, DECK PLATE AND EZ1™ TECHNOLOGY**



**ENGINEERING SPECIFICATION**

Zurn Z1400-BZ1-DP cleanout features Dura-Coated cast iron body, gas and water tight cleanout plug, stainless steel deck plate, and top assembly. EZ1 drainage series is engineered to simplify product installation. Concrete shield provides up to 1" [25] of vertical post pour adjustment, pre-packaged shims for tilt correction, and integrated, self contained Type B light duty scoriated cover with rough-in cover for protection during concrete pour. Cleanout is designed in accordance with ASME A112.36.2M.

Cover Designation	Dimensions in inches				Approximate Weight lb [kg]
	A Pipe Size	B	K		
			Min.	Max.	
-5B	2-3 [51-76]	5 [127]	29/32 [23]	1-13/16 [46]	16 [7]



PREFIXES	DESCRIPTION	PIPE SIZE	LIST PRICE
<b>ZN1400-BZ1-DP*</b>	D.C.C.I. with Polished Nickel Bronze Top	2", 3"	<b>1,469.00</b>

<b>ZB1400-BZ1-DP</b>	D.C.C.I. with Polished Bronze Top	2", 3"	<b>1,390.00</b>
<b>ZS1400-BZ1-DP</b>	D.C.C.I. with Polished Type 304 (CF8) Stainless Steel Top	2", 3"	<b>2,413.00</b>

OUTLET (SPECIFY PIPE SIZE IN INCHES AND TYPE OF OUTLET)				
TYPE	DESCRIPTION	PIPE SIZE/ OUTLET TYPE	E BODY HT. DIM.	ADD
NH	No-Hub	2NH, 3NH	4-3/4"	N/C
NL	Neo-Loc	2NL	5-1/4"	N/C
		3NL	4-3/8"	N/C

SUFFIXES			ADD
-AR	Acid Resisting Epoxy Coated Finish		<b>482.00</b>
-BP	Bronze Plug	2", 3"	<b>269.00</b>
-CC	Stainless Steel Clamp Collar		<b>231.00</b>
-G	Galvanized Cast Iron		<b>307.00</b>
🕒 -TC	Neo-Loc Test Cap Gasket (2", 3" NL Bottom Outlet Only)		<b>36.00</b>
-VP	Vandal-Proof Screws		<b>101.00</b>

\*Regularly furnished unless otherwise specified.

Items designated as Best Sellers are most specified and are generally in stock for shipment.

🕒 This symbol denotes a product that is engineered to reduce installation and rework time.

For additional product information, please visit [www.zurn.com](http://www.zurn.com)  
Patent [zurn.com/patents](http://zurn.com/patents)

INTRO  
ROOF DRAINS  
FLOOR DRAINS  
T, P, BW VALVES  
INTERCEPTORS  
CARRIERS  
HYDRANTS  
CLEANOUTS  
WHA  
SS DRAINS  
SANI-FLOOR  
TECH INFO

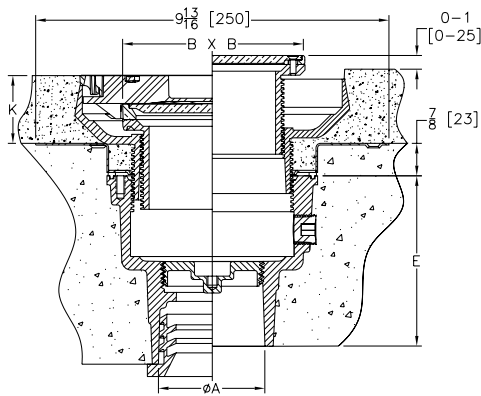
## ⌚ Z1400-SZ1-DP BODY ASSEMBLY W/ "TYPE S" COVER, DECK PLATE AND EZ1™ TECHNOLOGY



### ENGINEERING SPECIFICATION

Zurn Z1400-SZ1-DP cleanout features Dura-Coated cast iron body, gas and water tight cleanout plug, stainless steel deck plate, and top assembly. EZ1 drainage series is engineered to simplify product installation. Concrete shield provides up to 1" [25] of vertical post pour adjustment, pre-packaged shims for tilt correction, and integrated, self contained Type S light duty scoriated cover with rough-in cover for protection during concrete pour. Cleanout is designed in accordance with ASME A112.36.2M.

Cover Designation	Dimensions in inches				Approximate Weight lb [kg]
	A Pipe Size	BxB	K		
			Min.	Max.	
-5S	2-3 [51-76]	5 X 5 [127 X 127]	1-15/16 [49]	2-3/32 [53]	17 [8]



PREFIXES	DESCRIPTION	PIPE SIZE	LIST PRICE
<b>ZN1400-SZ1-DP*</b>	D.C.C.I. with Polished Nickel Bronze Top	2", 3"	<b>1,469.00</b>

<b>ZB1400-SZ1-DP</b>	D.C.C.I. with Polished Bronze Top	2", 3"	<b>1,390.00</b>
----------------------	-----------------------------------	--------	-----------------

<b>ZS1400-SZ1-DP</b>	D.C.C.I. with Polished Type 304 (CF8) Stainless Steel Top	2", 3"	<b>2,413.00</b>
----------------------	---	--------	-----------------

### OUTLET (SPECIFY PIPE SIZE IN INCHES AND TYPE OF OUTLET)

TYPE	DESCRIPTION	PIPE SIZE/ OUTLET TYPE	E BODY HT. DIM.	ADD
NH	No-Hub	2NH, 3NH	4-3/4"	N/C
NL	Neo-Loc	2NL	5-1/4"	N/C
		3NL	4-3/8"	N/C

### SUFFIXES

SUFFIXES	DESCRIPTION	ADD
-AR	Acid Resisting Epoxy Coated Finish	<b>482.00</b>
-BP	Bronze Plug	<b>269.00</b>
-CC	Stainless Steel Clamp Collar	<b>231.00</b>
-G	Galvanized Cast Iron	<b>307.00</b>
⌚ -TC	Neo-Loc Test Cap Gasket (2", 3" NL Bottom Outlet Only)	<b>36.00</b>
-UP	1-3/4" Pre-Pour Adjustment Extension Adapter	<b>195.00</b>
-VP	Vandal-Proof Screws	<b>101.00</b>

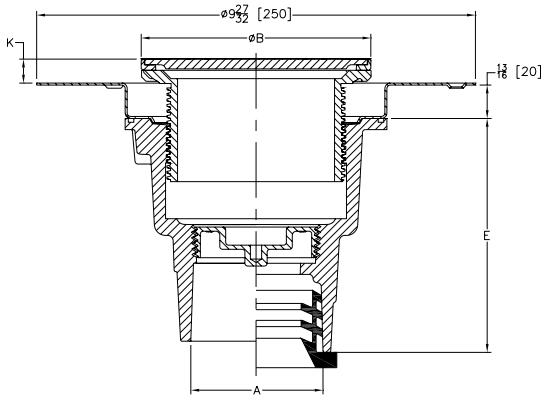
## 🕒 Z1400B-DP BODY ASSEMBLY W/ "TYPE B" COVER AND DECK PLATE



### ENGINEERING SPECIFICATION

Zurn Z1400B-DP cleanout features Dura-Coated cast iron body, gas and water tight cleanout plug, stainless steel deck plate, and Type B polished nickel bronze light duty top assembly. Cleanout is designed in accordance with ASME A112.36.2M.

Cover Designation	Dimensions in inches				Approx. Wt. Lbs. [kg]
	A Pipe Size	B	K		
			Min.	Max.	
-5B	2-3 [51-76]	5 [127]	0	1-7/16 [37]	11 [5]



PREFIXES	DESCRIPTION	PIPE SIZE	LIST PRICE
ZN1400-B-DP*	D.C.C.I. with Polished Nickel Bronze Top	2", 3"	1,469.00
ZB1400-B-DP	D.C.C.I. with Polished Bronze Top	2", 3"	1,390.00
ZS1400-B-DP	D.C.C.I. with Polished Type 304 (CF8) Stainless Steel Top	2", 3"	2,413.00

OUTLET (SPECIFY PIPE SIZE IN INCHES AND TYPE OF OUTLET)				
TYPE	DESCRIPTION	PIPE SIZE/ OUTLET TYPE	E BODY HT. DIM.	ADD
NH	No-Hub	2NH	4-7/8"	N/C
		3NH	4-3/4"	N/C
NL	Neo-Loc	2NL	5-1/4"	N/C
		3NL	4-3/8"	N/C

SUFFIXES	DESCRIPTION	ADD
-AR	Acid Resisting Epoxy Coated Finish	482.00
-BP	Bronze Plug	2", 3" 269.00
-CC	Stainless Steel Clamp Collar	231.00
-FI	Floor Insert	83.00
-G	Galvanized Cast Iron	307.00
🕒 -TC	Neo-Loc Test Cap Gasket (2", 3" NL Bottom Outlet Only)	36.00
-VP	Vandal-Proof Screws	101.00

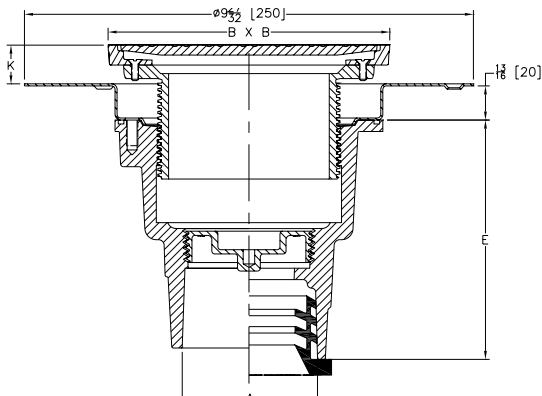
## 🕒 Z1400S-DP BODY ASSEMBLY W/ "TYPE S" COVER AND DECK PLATE



### ENGINEERING SPECIFICATION

Zurn Z1400S-DP cleanout features Dura-Coated cast iron body, gas and water tight cleanout plug, stainless steel deck plate, and Type S polished nickel bronze light duty top assembly. Cleanout is designed in accordance with ASME A112.36.2M.

Cover Designation	Dimensions in inches				Approximate Weight lb [kg]
	A Pipe Size	BxB	K		
			Min.	Max.	
-5S	2-3 [51-76]	5 X 5 [127 X 127]	7/16 [111]	1-7/16 [37]	12 [5]



PREFIXES	DESCRIPTION	PIPE SIZE	LIST PRICE
ZN1400-S-DP*	D.C.C.I. with Polished Nickel Bronze Top	2", 3"	1,469.00
ZB1400-S-DP	D.C.C.I. with Polished Bronze Top	2", 3"	1,390.00
ZS1400-S-DP	D.C.C.I. with Polished Type 304 (CF8) Stainless Steel Top	2", 3"	2,413.00

OUTLET (SPECIFY PIPE SIZE IN INCHES AND TYPE OF OUTLET)				
TYPE	DESCRIPTION	PIPE SIZE/ OUTLET TYPE	E BODY HT. DIM.	ADD
NH	No-Hub	2NH	4-7/8"	N/C
		3NH	4-3/4"	N/C
NL	Neo-Loc	2NL	5-1/4"	N/C
		3NL	4-3/8"	N/C

SUFFIXES	DESCRIPTION	ADD
-AR	Acid Resisting Epoxy Coated Finish	482.00
-BP	Bronze Plug	2", 3" 269.00
-CC	Stainless Steel Clamp Collar	231.00
-G	Galvanized Cast Iron	307.00
🕒 -TC	Neo-Loc Test Cap Gasket (2", 3" NL Bottom Outlet Only)	36.00
-VP	Vandal-Proof Screws	101.00

\*Regularly furnished unless otherwise specified.

Items designated as Best Sellers are most specified and are generally in stock for shipment.

🕒 This symbol denotes a product that is engineered to reduce installation and rework time.

For additional product information, please visit [www.zurn.com](http://www.zurn.com)

Patent [zurn.com/patents](http://zurn.com/patents)

INTRO  
ROOF DRAINS  
FLOOR DRAINS  
I, P, BW VALVES  
INTERCEPTORS  
CARRIERS  
HYDRANTS  
CLEANOUTS  
WHA  
SS DRAINS  
SAN-FLOOR  
TECH INFO

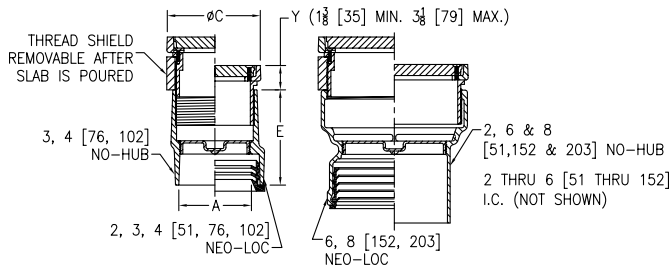
# Z1400 EXTRA HEAVY-DUTY "LEVEL-TROL" ADJUSTABLE FLOOR CLEANOUT



## ENGINEERING SPECIFICATION

Zurn Z1400 level-trol adjustable floor cleanout features Dura-Coated cast iron body, gas and watertight ABS tapered thread plug, and round scoriated cast iron extra heavy-duty secured top (specify finish Z, ZB, ZN, ZS) adjustable to finished floor.

A Pipe Size/ Outlet Type	Dimensions in inches [mm]		Approximate Weight lb [kg]
	C	E Body Height Dimensions	
<b>Inside Caulk (IC)</b>			
3IC	6-1/8 [156]	6-7/8 [175]	14 [6]
4IC	7-1/4 [184]		18 [8]
6IC	9-1/4 [235]		32 [15]
<b>No-Hub (NH)</b>			
2NH	4-1/8 [105]	4-5/8 [117]	7 [3]
3NH	4-1/8 [105]	4-3/4 [121]	8 [4]
4NH	5-1/8 [130]	4-3/4 [121]	10 [5]
6NH	8-1/4 [210]	4-3/4 [121]	22 [10]
8NH	9-1/4 [235]	7-1/2 [191]	30 [14]
<b>Neo-Loc (NL)</b>			
2NL	4-1/8 [105]	4-3/4 [121]	8 [4]
3NL	5-1/8 [130]	4-3/4 [121]	11 [5]
4NL	5-1/8 [130]	4-3/4 [121]	12 [5]
6NL	8-1/4 [210]	5-7/8 [149]	22 [10]
8NL	9-1/4 [235]	6-1/2 [165]	24 [11]



BEST SELLERS	LIST PRICE
ZN1400-2NH	857.00
ZN1400-3NH	903.00
ZN1400-3NL	903.00
Z1400-4NH	953.00
Z1400-4NH-K	953.00
ZN1400-4NH	1,209.00
ZN1400-4NH-BP	1,477.00
ZB1400-4NH	1,123.00
ZS1400-4NH-HD	POA
Z1400-4NL	953.00
Z1400-4NL-BP	1,221.00
ZN1400-4NL	1,209.00
ZB1400-4NL	1,123.00
ZB1400-4NL-HD	1,341.00
ZS1400-4NL-HD	POA
Z1400-6NL	1,654.00

PREFIXES	DESCRIPTION	A PIPE SIZE	LIST PRICE
<b>Z1400*</b>	Dura-Coated Cast Iron	2"	700.00
		3"	798.00
		4"	953.00
		6"	1,654.00
		8"	1,961.00
<b>ZB1400</b>	D.C.C.I. with Polished Bronze Light-Duty Top (Deduct 1/2" from 'Y' Dim.)	2"	770.00
		3"	828.00
		4"	1,123.00
		6"	1,885.00
		8"	2,179.00
<b>ZN1400</b>	D.C.C.I. with Polished Nickel Bronze Light-Duty Top (Deduct 1/2" from 'Y' Dim.)	2"	857.00
		3"	903.00
		4"	1,209.00
		6"	1,961.00
		8"	2,241.00
<b>ZS1400</b>	D.C.C.I. with Polished Stainless Steel Heavy-Duty Top (Add 3/16" to 'Y' Dim.)	2"	POA
		3"	POA
		4"	POA
		5"	POA
		6"	POA
8"	POA		

OUTLET (SPECIFY PIPE SIZE IN INCHES AND TYPE OF OUTLET)			
TYPE	DESCRIPTION	PIPE SIZE/OUTLET TYPE	E BODY HT. DIM. ADD
IC	Inside Caulk	3IC, 4IC, 6IC	See Chart N/C
NH	No-Hub	2NH, 3NH, 4NH, 6NH, 8NH	See Chart N/C
NL	Neo-Loc	2NL, 3NL, 4NL, 6NL, 8NL	See Chart N/C

SUFFIXES		ADD	
-AR	Acid Resisting Epoxy Coated Finish	482.00	
-BP	Bronze Plug	2", 3", 4"	269.00
		6", 8"	843.00
-CF	Carpet Flange Cover (ZB and ZN only)	393.00	
-CM	Carpet Marker	114.00	
-DC	Duresist Cover (Z and HD Only)	416.00	
-DX	Round ZB or ZN Top with Dex-O-Tex Flange (2" thru 4" sizes only)	647.00	
-G	Galvanized Cast Iron	307.00	
-HD	Extra Heavy-Duty Veneer Top - Add 1/8" to 'Y' Dim. (ZB and ZN only)	219.00	
-K	Anchor Flange	N/C	
-KC	Anchor Flange with Clamping Collar	150.00	
⊖ -PC	Protective Cover	91.00	
-SG	Solid Gasketed Cover	416.00	
-SM	Special Marking Stamped on Top	269.00	
-T	Square Top	N/C	
⊖ -TC	Neo-Loc Test Cap Gasket (2", 3", 4" NL Bottom Outlet Only)	36.00	
-TX	Square Top Recessed for 1/8" Tile (ZB and ZN only)	N/C	
-VP	Vandal-Proof Screws	101.00	
-X	Round Top Recessed for 1/8" Tile (ZB and ZN only)	N/C	
-Z	Round Top Recessed for 1-1/4" Terrazzo (ZB and ZN only)	482.00	

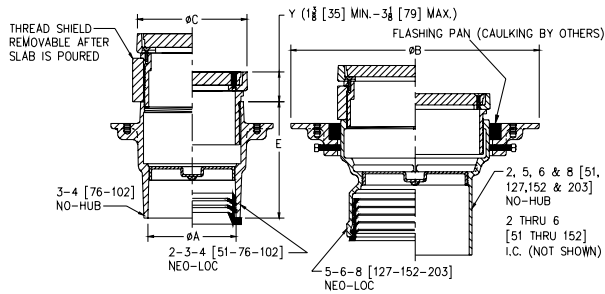
# Z1400-K HEAVY-DUTY "LEVEL-TROL" ADJUSTABLE FLOOR CLEANOUT WITH ANCHOR FLANGE



## ENGINEERING SPECIFICATION

Zurn Z1400-K level-trol adjustable floor cleanout features Dura-Coated cast iron body, anchor flange, gas and watertight ABS tapered thread plug, and round scoriated cast iron heavy-duty secured top (specify finish Z, ZB, ZN, ZS) adjustable to finished floor.

A Pipe Size/ Outlet Type	Dimensions in inches [mm]			Approximate Weight lb [kg]
	B	C	E Body Height Dimensions	
<b>Inside Caulk (IC)</b>				
3IC	9-1/2 [241]	6-1/8 [156]	6-7/8 [175]	19 [9]
4IC	11-1/2 [292]	7-1/4 [184]		20 [9]
6IC	12-1/4 [311]	9-1/4 [235]		39 [18]
<b>No-Hub (NH)</b>				
2NH	7-1/2 [191]	4-1/8 [105]	4-5/8 [117]	11 [5]
3NH	7-1/2 [191]	5-1/8 [130]	5-3/8 [137]	10 [5]
4NH	7-1/2 [191]	5-1/8 [130]	5-3/8 [137]	13 [6]
6NH	11-1/2 [292]	8-1/4 [210]	4-3/4 [121]	29 [13]
8NH	12-1/4 [311]	9-1/4 [235]	7-1/2 [191]	38 [17]
<b>Neo-Loc (NL)</b>				
2NL	7-1/2 [191]	5-1/8 [130]	5-3/8 [137]	12 [5]
3NL	7-1/2 [191]	5-1/8 [130]	5-3/8 [137]	13 [6]
4NL	7-1/2 [191]	5-1/8 [130]	5-3/8 [137]	14 [6]
6NL	11-1/2 [292]	8-1/4 [210]	5-7/8 [149]	29 [13]
8NL	12-1/4 [311]	9-1/4 [235]	6-1/2 [165]	32 [15]



⌚ Shown with -SA Stabilizer Option

PREFIXES	DESCRIPTION	A PIPE SIZE	LIST PRICE	
<b>Z1400-K*</b>	Dura-Coated Cast Iron	2"	700.00	
		3"	798.00	
		4"	953.00	
		6"	1,654.00	
		8"	1,961.00	
<b>ZB1400-K</b>	D.C.C.I. with Polished Bronze Light-Duty Top (Deduct 1/2" from 'Y' Dim.)	2"	770.00	
		3"	828.00	
		4"	1,123.00	
		6"	1,885.00	
		8"	2,179.00	
<b>ZN1400-K</b>	D.C.C.I. with Polished Nickel Bronze Light-Duty Top (Deduct 1/2" from 'Y' Dim.)	2"	857.00	
		3"	903.00	
		4"	1,209.00	
		6"	1,961.00	
		8"	2,241.00	
<b>ZS1400-K</b>	D.C.C.I. with Polished Stainless Steel Heavy-Duty Top (Add 3/16" to 'Y' Dim.)	2"	POA	
		3"	POA	
		4"	POA	
		6"	POA	
		8"	POA	
<b>OUTLET (SPECIFY PIPE SIZE IN INCHES AND TYPE OF OUTLET)</b>				
TYPE	DESCRIPTION	PIPE SIZE/OUTLET TYPE	E BODY HT. DIM.	ADD
IC	Inside Caulk	3IC, 4IC, 6IC	See Chart	N/C
NH	No-Hub	2NH, 3NH, 4NH, 6NH, 8NH	See Chart	N/C
NL	Neo-Loc	2NL, 3NL, 4NL, 6NL, 8NL	See Chart	N/C
<b>SUFFIXES</b>				ADD
-AR	Acid Resisting Epoxy Coated Finish			482.00
-BP	Bronze Plug	2", 3", 4"		269.00
		6", 8"		843.00
-C	Clamp Collar			150.00
-CF	Carpet Flange Cover (ZB and ZN only)			393.00
-CM	Carpet Marker			114.00
-DC	Duresist Cover			416.00
-DX	Round ZB or ZN Top with Dex-O-Tex Flange (2" thru 4" sizes only)			647.00
-G	Galvanized Cast Iron			307.00
-HD	Heavy-Duty Veneer Top - Add 1/8" to 'Y' Dim. (ZB and ZN only)			219.00
⌚ -SA	Stabilizer Assembly (See Z1035)			N/C
-SG	Solid Gasketed Cover			416.00
-SM	Special Marking Stamped on Top			269.00
-T	Square Top			N/C
⌚ -TC	Neo-Loc Test Cap Gasket (2"-4" NL Bottom Outlet Only)			36.00
-TX	Square Top Recessed for 1/8" Tile (ZB and ZN only)			N/C
-VP	Vandal-Proof Screws			101.00
-X	Round Top Recessed for 1/8" Tile (ZB and ZN only)			N/C
-Z	Round Top Recessed for 1-1/4" Terrazzo (ZB and ZN only)			482.00
<b>BEST SELLERS</b>			LIST PRICE	
ZN1400-K-4NH			1,209.00	
ZN1400-K-4NL-BP			1,477.00	
ZN1400-K-6NH			1,961.00	

\*Regularly furnished unless otherwise specified.

Items designated as Best Sellers are most specified and are generally in stock for shipment.

⌚ This symbol denotes a product that is engineered to reduce installation and rework time.

For additional product information, please visit [www.zurn.com](http://www.zurn.com)

Patent [zurn.com/patents](http://zurn.com/patents)

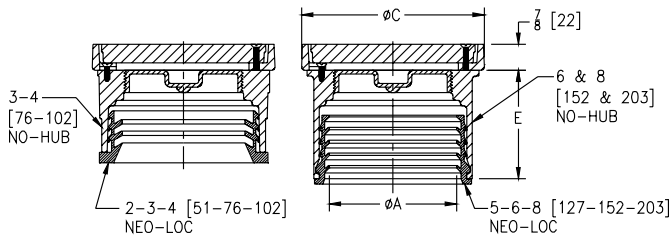
# Z1402 HEAVY-DUTY NON-ADJUSTABLE FLOOR CLEANOUT



## ENGINEERING SPECIFICATION

Zurn Z1402 tuf-top non-adjustable floor cleanout features Dura-Coated cast iron body, gas and watertight ABS tapered thread plug, and round scoriated cast iron heavy-duty secured cover and frame.

A Pipe Size/ Outlet Type	Dimensions in inches [mm]		Approximate Weight lb [kg]
	C	E Body Height Dimensions	
<b>Neo-Loc (NL)</b>			
3NL	5-1/8 [130]	2-3/4 [70]	8 [4]
4NL	6-1/8 [156]		10 [5]
5NL	7-1/4 [184]	3-5/8 [92]	15 [7]
6NL	8-1/4 [210]		17 [8]
8NL	9-1/4 [235]		22 [10]
<b>No-Hub (NH)</b>			
4NH	5-1/8 [130]	3-5/8 [92]	8 [4]
6NH	7-1/4 [184]		15 [7]
8NH	9-1/4 [235]		22 [10]



PREFIXES	DESCRIPTION	A PIPE SIZE	LIST PRICE
<b>Z1402*</b>	Dura-Coated Cast Iron	3"	624.00
		4"	624.00
		5"	857.00
		6"	857.00
		8"	1,683.00
<b>ZB1402</b>	D.C.C.I. with Polished Bronze Light-Duty Top (Deduct 1/2" from 7/8" Dim.)	3"	798.00
		4"	798.00
		5"	1,047.00
		6"	1,047.00
<b>ZN1402</b>	D.C.C.I. with Polished Nickel Bronze Light-Duty Top (Deduct 1/2" from 7/8" Dim.)	3"	885.00
		4"	885.00
		5"	1,119.00
		6"	1,119.00
<b>ZS1402</b>	D.C.C.I. with Polished Stainless Steel Heavy-Duty Top (Add 3/16" to 7/8" Dim.)	3"	POA
		4"	POA
		5"	POA
		6"	POA
		8"	1,969.00
		8"	POA

OUTLET (SPECIFY PIPE SIZE IN INCHES AND TYPE OF OUTLET)				
TYPE	DESCRIPTION	PIPE SIZE/OUTLET TYPE	E BODY HT. DIM.	ADD
NH	No-Hub	4NH, 6NH, 8NH	See Chart	N/C
NL	Neo-Loc	3NL, 4NL, 5NL, 6NL, 8NL	See Chart	N/C
SUFFIXES				ADD
-BP	Bronze Plug	3", 4", 5"	6", 8"	269.00
				843.00
-CM	Carpet Marker			114.00
-DX	Round ZB or ZN Top with Dex-O-Tex Flange (3", 4", 5" sizes only)			647.00
-G	Galvanized Cast Iron			219.00
-HD	Heavy-Duty Veneer Top - Add 1/8" to 7/8" Dim. (ZB and ZN only)			219.00
-T	Square Top			N/C
Ⓢ -TC	Neo-Loc Test Cap Gasket (3", 4" NL Bottom Outlet Only)			36.00
-VP	Vandal-Proof Screws			101.00

BEST SELLERS		LIST PRICE
Z1402-4NL		624.00
ZN1402-4NL-HD		1,102.00
Z1402-6NL		857.00
ZN1402-6NH-BP		1,960.00
ZN1402-6NL		1,119.00
Z1402-8NH		1,683.00

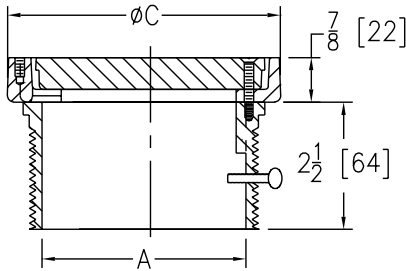
## Z1404 HEAVY-DUTY FLOOR ACCESS HOUSING



### ENGINEERING SPECIFICATION

Zurn Z1404 floor access housing features Dura-Coated cast iron with round frame and scoriated cast iron heavy-duty secured cover complete with adjusting setscrews.

A Pipe Size/Outlet Type	C inches [mm]	Approximate Weight lb [kg]
<b>Slip Joint (SJ)</b>		
3SJ	6-1/8 [156]	3 [1]
4SJ	7-1/4 [184]	4 [2]
6SJ	9-1/4 [235]	8 [4]



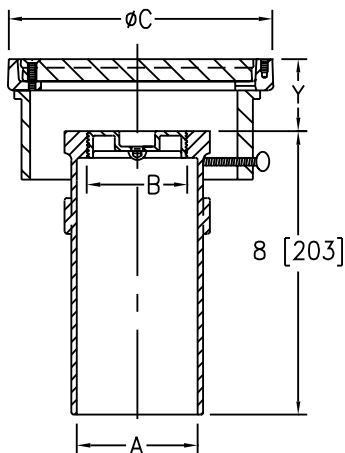
## Z1406 HEAVY-DUTY ADJUSTABLE SPIGOT CLEANOUT



### ENGINEERING SPECIFICATION

Zurn Z1406 adjustable floor cleanout uses spigot connection for caulking into hub. Features Dura-Coated cast iron body, gas and watertight ABS plug, and cast iron housing with round scoriated cast iron heavy-duty cover adjustable to finished floor.

A Pipe Size/ Outlet Type	B N.P.T.	Dimensions in inches [mm]			Approximate Weight lb [kg]
		C	Y		
<b>Spigot (SP)</b>					
			Min.	Max.	
3SP	2	6-1/8 [156]	7/8 [22]	2 [51]	11 [5]
4SP	3-1/2	7-1/4 [184]			15 [7]
6SP	3-1/2	9-1/4 [235]			23 [10]



PREFIXES	DESCRIPTION	A PIPE SIZE	LIST PRICE
<b>Z1404*</b>	Dura-Coated Cast Iron	3", 4"	609.00
		6"	806.00
<b>ZN1404</b>	D.C.C.I. with Polished Nickel Bronze Light-Duty Top (Deduct 1/2" from 7/8" Dim.)	3", 4"	845.00
		6"	1,075.00
<b>ZS1404</b>	D.C.C.I. with Polished Stainless Steel Heavy-Duty Top (Add 3/16" to 7/8" Dim.)	3", 4"	POA
		6"	POA

OUTLET (SPECIFY PIPE SIZE IN INCHES AND TYPE OF OUTLET)			
TYPE	DESCRIPTION	PIPE SIZE/OUTLET TYPE	ADD
<b>SJ</b>	Slip Joint	3SJ, 4SJ, 6SJ	N/C
SUFFIXES			
			ADD
<b>-HD</b>	Heavy-Duty Veneer Top (Add 1/8" to 2-1/2" Dim. for ZN only)		219.00
<b>-VP</b>	Vandal-Proof Screws		137.00

BEST SELLERS	LIST PRICE
Z1404-4	609.00
ZN1404-4	845.00
Z1404-6	806.00
ZN1404-6	1,075.00

PREFIXES	DESCRIPTION	A PIPE SIZE	LIST PRICE
<b>Z1406*</b>	Dura-Coated Cast Iron	3"	709.00
		4"	866.00
		6"	1,648.00
<b>ZN1406</b>	D.C.C.I. with Polished Nickel Bronze Light-Duty Top (Deduct 1/2" from 'Y' Dim.)	3"	1,108.00
		4"	1,278.00
		6"	2,541.00
<b>ZS1406</b>	D.C.C.I. with Polished Stainless Steel Heavy-Duty Top (Add 3/16" to 'Y' Dim.)	3"	POA
		4"	POA
		6"	POA

OUTLET (SPECIFY PIPE SIZE IN INCHES AND TYPE OF OUTLET)			
TYPE	DESCRIPTION	PIPE SIZE/OUTLET TYPE	ADD
<b>SP</b>	Spigot	3SP, 4SP, 6SP	N/C
SUFFIXES			
			ADD

<b>-AR</b>	Acid Resisting Epoxy Coated Finish		482.00
<b>-BP</b>	Bronze Plug	3", 4"	269.00
		6"	843.00
<b>-CF</b>	Carpet Flange (ZN only)		393.00
<b>-CM</b>	Carpet Marker		114.00
<b>-DC</b>	Duresist Cover		416.00
<b>-DX</b>	Round Top with Dex-O-Tex Flange (2" thru 4" sizes only)		647.00
<b>-G</b>	Galvanized Cast Iron		307.00
<b>-HD</b>	Heavy-Duty Veneer Top (Add 1/8" to 'Y' Dim. for ZN only)		219.00
<b>-SG</b>	Solid Gasketed Cover		416.00
<b>-SM</b>	Special Marking Stamped on Top		269.00
<b>-T</b>	Square Top		N/C
<b>-TX</b>	Square Top Recessed for 1/8" Tile (ZN only)		N/C
<b>-VP</b>	Vandal-Proof Screws		101.00
<b>-X</b>	Round Top Recessed for 1/8" Tile (ZN only)		N/C

BEST SELLER	LIST PRICE
ZN1406-4	1,278.00

\*Regularly furnished unless otherwise specified.

Items designated as Best Sellers are most specified and are generally in stock for shipment.

⌚ This symbol denotes a product that is engineered to reduce installation and rework time.

For additional product information, please visit [www.zurn.com](http://www.zurn.com)

Patent [zurn.com/patents](http://zurn.com/patents)



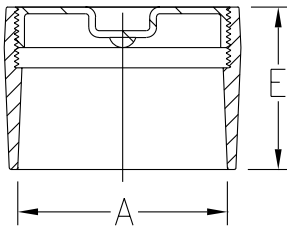
## Z1440 CLEANOUT FERRULE WITH PLUG



### ENGINEERING SPECIFICATION

Zurn Z1440 cleanout features Dura-Coated cast iron body with gas and watertight ABS tapered thread plug.

A Pipe Size/Outlet Type	E Body Height Dimensions inches [mm]	Approximate Weight lb [kg]
<b>No-Hub (NH)</b>		
2NH	2-1/2 [64]	2 [1]
3NH	2-3/4 [70]	4 [2]
4NH	3 [76]	5 [2]
6NH	3 [76]	8 [4]
8NH	3-1/2 [89]	13 [6]



PREFIXES	DESCRIPTION	A PIPE SIZE	LIST PRICE
<b>Z1440*</b>	D.C.C.I. and ABS Plug	2"	145.00
		3"	219.00
		4"	301.00
		6"	609.00
		8"	1,131.00

OUTLET (SPECIFY PIPE SIZE IN INCHES AND TYPE OF OUTLET)				
TYPE	DESCRIPTION	PIPE SIZE/OUTLET TYPE	E BODY HT. DIM.	ADD
<b>NH</b>	No-Hub	2NH, 3NH, 4NH, 6NH, 8NH	See Chart	<b>N/C</b>
SUFFIXES				ADD

<b>-BP</b>	Bronze Plug	2", 3", 4"	<b>269.00</b>
		6", 8"	<b>843.00</b>

<b>-G</b>	Galvanized Cast Iron		<b>219.00</b>
-----------	----------------------	--	---------------

BEST SELLERS			LIST PRICE
Z1440-4NH			<b>301.00</b>
Z1440-4NH-BP			<b>569.00</b>
Z1440-6NH-BP			<b>1,451.00</b>

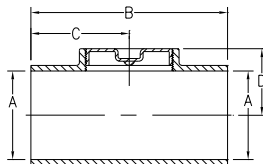
## Z1445 CLEANOUT TEE



### ENGINEERING SPECIFICATION

Zurn Z1445 cleanout tee features Dura-Coated cast iron body with gas and watertight ABS tapered thread plug.

A Pipe Size/Outlet Type	Dimensions in inches [mm]			Approximate Weight lb [kg]
	B	C	D	
<b>No Hub (NH)</b>				
2NH	6-3/8 [162]	3-3/16 [81]	1-3/4 [44]	8 [4]
3NH	7-3/4 [197]	3-7/8 [98]	2-1/2 [64]	15 [7]
4NH	8-7/8 [225]	4-7/16 [113]	3 [76]	16 [7]
6NH	12-1/2 [317]	6-1/4 [159]	4-5/16 [109]	35 [16]
8NH	17 [432]	8-1/2 [216]	6-3/8 [162]	49 [22]



PREFIXES	DESCRIPTION	A PIPE SIZE	LIST PRICE
<b>Z1445*</b>	Dura-Coated Cast Iron	2"	333.00
		3"	414.00
		4"	642.00
		6"	1,814.00
		8"	2,253.00

OUTLET (SPECIFY PIPE SIZE IN INCHES AND TYPE OF OUTLET)				
TYPE	DESCRIPTION	PIPE SIZE/OUTLET TYPE	E BODY HT. DIM.	ADD
<b>NH</b>	No-Hub	2NH, 3NH, 4NH, 6NH, 8NH	See Chart	<b>N/C</b>
SUFFIXES				ADD

<b>-BP</b>	Bronze Plug	2", 3", 4"	<b>269.00</b>
		6", 8"	<b>843.00</b>

<b>-G</b>	Galvanized Cast Iron		<b>307.00</b>
-----------	----------------------	--	---------------

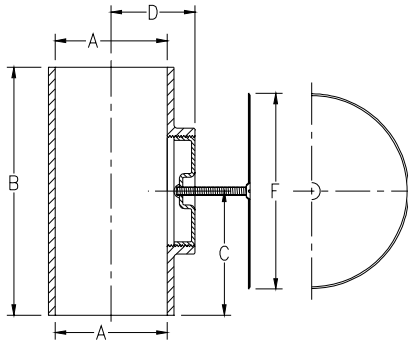
## Z1446 CLEANOUT WITH ROUND WALL ACCESS COVER



### ENGINEERING SPECIFICATION

ZURN Z1446 Cleanout Tee, Dura-Coated cast iron body, gas and watertight ABS tapered thread plug, and round, smooth stainless steel wall access cover with securing screw.

A Pipe Size/ Outlet Type	Dimensions in Inches [mm]					App. Wt. Lbs. [Kg]
	B	C	D	F	G	
<b>No Hub (NH)</b>						
2NH	6-3/8 [162]	3-3/16 [81]	1-3/4 [44]	7 [178]	6 [152]	11 [5]
3NH	7-3/4 [197]	3-7/8 [98]	2-1/2 [64]			18 [8]
4NH	8-7/8 [225]	4-7/16 [113]	3 [76]	9 [229]	8 [203]	20 [9]
6NH	12-1/2 [317]	6-1/4 [159]	4-5/16 [109]			31 [14]



PREFIXES	DESCRIPTION	A PIPE SIZE	LIST PRICE
<b>Z1446*</b>	D.C.C.I. with Polished Stainless Steel Cover	2"	530.00
		3"	605.00
		4"	891.00
		5"	1,440.00
		6"	2,253.00

<b>ZB1446</b>	D.C.C.I. with Polished Bronze Cover	2"	470.00
		3"	545.00
		4"	825.00
		5"	1,384.00
		6"	2,195.00

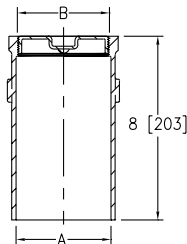
OUTLET (SPECIFY PIPE SIZE IN INCHES AND TYPE OF OUTLET)				
TYPE	DESCRIPTION	PIPE SIZE/OUTLET TYPE	E BODY HT. DIM.	ADD
<b>NH</b>	No-Hub	2NH, 3NH, 4NH, 6NH	See Chart	<b>N/C</b>
SUFFIXES			A PIPE SIZE	ADD
<b>-BP</b>	Bronze Plug		2", 3", 4", 5"	269.00
			6"	843.00
<b>-G</b>	Galvanized Cast Iron			308.00
<b>-SL</b>	Screws Longer Than 3-1/2" (Per Inch)			31.00
<b>-VP</b>	Vandal-Proof Screw			101.00

## Z1449 CLEANOUT FERRULE WITH PLUG



### ENGINEERING SPECIFICATION

Zurn Z1449 cleanout ferrule features Dura-Coated cast iron body with gas and watertight ABS countersunk plug.



A Pipe Size/Outlet Type	B N.P.T.	Approximate Weight lb [kg]
<b>Spigot (SP)</b>		
4SP	3-1/2	8 [4]
6SP	3-1/2	13 [6]

PREFIXES	DESCRIPTION	A PIPE SIZE	LIST PRICE
<b>Z1449*</b>	Dura-Coated Cast Iron with ABS Plug	4"	357.00
		6"	917.00

OUTLET (SPECIFY PIPE SIZE IN INCHES AND TYPE OF OUTLET)				
TYPE	DESCRIPTION	PIPE SIZE/OUTLET TYPE	E BODY HT. DIM.	ADD
<b>SP</b>	Spigot	4SP, 6SP	See Chart	<b>N/C</b>
SUFFIXES			ADD	
<b>-A</b>	Raised Head Plug			<b>N/C</b>
<b>-BP</b>	Bronze Plug		4"	269.00
			6"	843.00
<b>-G</b>	Galvanized Cast Iron			219.00
BEST SELLER			LIST PRICE	
Z1449-4SP			357.00	

\*Regularly furnished unless otherwise specified.

Items designated as Best Sellers are most specified and are generally in stock for shipment.

🕒 This symbol denotes a product that is engineered to reduce installation and rework time.

For additional product information, please visit [www.zurn.com](http://www.zurn.com)

Patent [zurn.com/patents](http://zurn.com/patents)

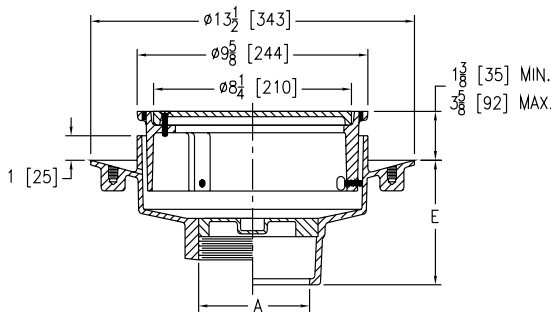
## Z1454 ADJUSTABLE FLOOR CLEANOUT WITH FLASHING FLANGE



### ENGINEERING SPECIFICATION

Zurn Z1454 adjustable floor cleanout features Dura-Coated cast iron body, gas and watertight ABS tapered thread plug, and round scoriated Dura-Coated cast iron adjustable with secured cover top complete with membrane flashing flange.

A Pipe Size/Outlet Type	Approximate Weight lb [kg]
<b>Inside Caulk (IC)</b>	
4IC	34 [15]
<b>Threaded (IP)</b>	
2IP, 3IP	33 [15]
4IP	34 [15]



PREFIXES	DESCRIPTION	A PIPE SIZE	LIST PRICE
<b>Z1454*</b>	Dura-Coated Cast Iron	2", 3"	<b>1,757.00</b>
		4"	<b>1,814.00</b>
<b>ZN1454</b>	D.C.C.I. with Polished Nickel Bronze Top (Add 3/16" to 1-3/8" min. - 3-5/8" max. dim.)	2", 3"	<b>2,337.00</b>
		4"	<b>2,397.00</b>

OUTLET (SPECIFY PIPE SIZE IN INCHES AND TYPE OF OUTLET)				
TYPE	DESCRIPTION	PIPE SIZE/OUTLET TYPE	E BODY HT. DIM.	ADD
IC	Inside Caulk	4IC	5-1/4"	N/C
IP	Threaded	2IP, 3IP, 4IP	4-1/4"	N/C

SUFFIXES		ADD
<b>-G</b>	Galvanized Cast Iron	<b>611.00</b>
<b>-VP</b>	Vandal-Proof Secured Top	<b>207.00</b>

BEST SELLER		LIST PRICE
Z1454-4IP		<b>1,814.00</b>

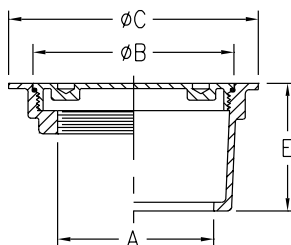
## Z1456 DECK CLEANOUT



### ENGINEERING SPECIFICATION

Zurn ZANB1456 deck cleanout features nickel bronze body with scoriated deck plug and O-ring seal.

A Pipe Size/ Outlet Type	Dimensions in inches [mm]		Approximate Weight lb [kg]
	B	C	
<b>Inside Caulk (IC)</b>			
3IC	5 [127]	6 [152]	4 [2]
4IC	6 [152]	7-3/8 [187]	6 [3]
6IC	8 [203]	9-3/8 [238]	12 [5]
<b>Threaded (IP)</b>			
3IP	3-1/2 [89]	4-7/8 [124]	4 [2]
4IP	4-1/2 [114]	6 [152]	6 [3]
6IP	7-7/8 [200]	9-3/8 [238]	12 [5]
8IP	9-7/8 [251]	11 [279]	16 [7]



PREFIXES	DESCRIPTION	A PIPE SIZE	LIST PRICE
<b>ZANB1456*</b>	Nickel Bronze with Polished Scoriated Top	3"	<b>982.00</b>
		4"	<b>1,095.00</b>
		6"	<b>1,877.00</b>
		8"	<b>3,656.00</b>

OUTLET (SPECIFY PIPE SIZE IN INCHES AND TYPE OF OUTLET)				
TYPE	DESCRIPTION	PIPE SIZE/OUTLET TYPE	E BODY HT. DIM.	ADD
IC	Inside Caulk	3IC, 4IC	3-1/4"	N/C
		6IC	3-1/2"	N/C
IP	Threaded	3IP, 4IP	1-1/2"	N/C
		6IP	1-5/8"	N/C
		8IP	2"	N/C

SUFFIXES		ADD
<b>-SW</b>	Extra Spanner Wrench	<b>207.00</b>

BEST SELLER		LIST PRICE
ZANB1456-4IC		<b>1,095.00</b>

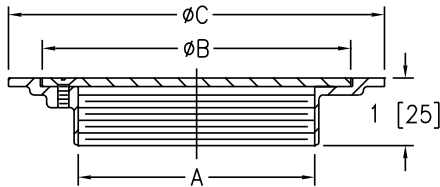
## Z1457 FLOOR ACCESS COVER



### ENGINEERING SPECIFICATION

Zurn ZANB1457 floor access cover features nickel bronze body with round, scoriated secured cover.

A Pipe Size/ Outlet Type	Dimensions in inches [mm]		Approximate Weight lb [kg]
	B	C	
<b>Threaded (IP)</b>			
2IP	4-1/2 [114]	5-1/2 [140]	4 [2]
3IP	4-1/2 [114]	5-1/2 [140]	4 [2]
4IP	5-3/4 [146]	6-3/4 [171]	5 [2]
5IP	7 [178]	8 [203]	6 [3]
6IP	8-1/4 [210]	9-1/2 [241]	8 [4]
8IP	10-1/4 [260]	11-1/2 [292]	12 [5]



PREFIXES	DESCRIPTION	A PIPE SIZE	LIST PRICE	
<b>ZANB1457*</b>	Nickel Bronze with Polished Scoriated Cover	2"	661.00	
		3"	1,748.00	
		4"	1,978.00	
		5"	2,582.00	
		6"	1,521.00	
<b>ZAB1457</b>	Bronze with Polished Scoriated Cover	8"	4,130.00	
		2"	599.00	
		3"	813.00	
		4"	1,748.00	
		5"	1,230.00	
		6"	1,358.00	
		8"	1,960.00	
<b>OUTLET (SPECIFY PIPE SIZE IN INCHES AND TYPE OF OUTLET.)</b>				
TYPE	DESCRIPTION	PIPE SIZE/OUTLET TYPE	E BODY HT. DIM.	ADD
IP	Threaded	2IP, 3IP, 4IP, 5IP, 6IP, 8IP	See Chart	N/C
<b>SUFFIXES</b>				<b>ADD</b>
-VP	Vandal-Proof Screws			101.00

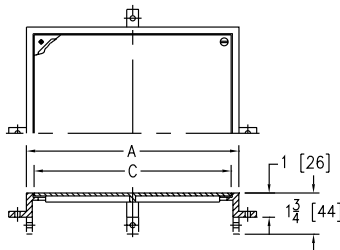
## Z1460 SQUARE WALL ACCESS PANEL



### ENGINEERING SPECIFICATION

Zurn ZANB1460 square wall access panel and frame features smooth, stainless steel panel secured to nickel bronze frame, set flush to finished wall plane, and securing lugs.

Product Designation	Dimensions in inches [mm]		Approximate Weight lb [kg]
	A Frame Size	C Opening Size	
-7	7 x 7 [178]	6 x 6 [152]	3 [1]
-9	9 x 9 [229]	8 x 8 [203]	5 [2]
-10	10 x 10 [254]	9 x 9 [229]	7 [3]
-11	11 x 11 [279]	10 x 10 [254]	10 [5]



PREFIXES	DESCRIPTION	PRODUCT DESIG.	A FRAME SIZE	LIST PRICE
<b>ZANB1460*</b>	Nickel Bronze with Polished Scoriated Cover	-7	7" x 7"	875.00
		-9	9" x 9"	1,281.00
		-10	10" x 10"	1,384.00
		-11	11" x 11"	1,494.00
<b>ZAB1460</b>	Bronze with Polished Scoriated Cover	-7	7" x 7"	763.00
		-9	9" x 9"	1,122.00
		-10	10" x 10"	1,197.00
		-11	11" x 11"	1,336.00
<b>SUFFIXES</b>				<b>ADD</b>
-SC	Scoriated Cover			N/C
-VP	Vandal-Proof Screws			101.00
<b>BEST SELLERS</b>				<b>LIST PRICE</b>
ZANB1460-10-SC				1,384.00
ZANB1460-11				1,494.00
ZANB1460-7				875.00

\*Regularly furnished unless otherwise specified.

Items designated as Best Sellers are most specified and are generally in stock for shipment.

⌚ This symbol denotes a product that is engineered to reduce installation and rework time.

For additional product information, please visit [www.zurn.com](http://www.zurn.com)

Patent [zurn.com/patents](http://zurn.com/patents)

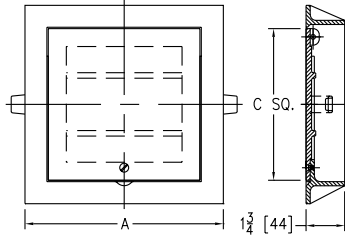
## Z1461 SQUARE HINGED ACCESS PANEL



### ENGINEERING SPECIFICATION

Zurn Z1461 square hinged access panel features Dura-Coated cast iron, secured access panel, and frame with anchor lugs. Set flush with wall or floor for light-duty applications.

Product Designation	Dimensions in inches [mm]		Approximate Weight lb [kg]
	A Frame Size	C	
-12	12 x 12 [305]	10 [254]	11 [5]



PREFIXES	DESCRIPTION	PRODUCT DESIG.	A FRAME SIZE	LIST PRICE
Z1461*	Dura-Coated Cast Iron with Scoriated Cover	-12	12" x 12"	1,095.00
ZAB1461	Bronze with Polished Scoriated Cover	-12	12" x 12"	1,814.00
ZANB1461	Nickel Bronze with Polished Scoriated Cover	-12	12" x 12"	1,994.00
SUFFIXES				ADD
-VP	Vandal-Proof Screws			101.00

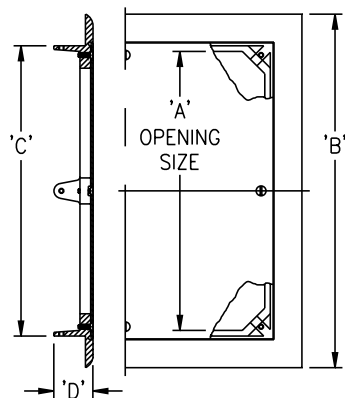
## Z1462 SECURED WALL ACCESS PANEL



### ENGINEERING SPECIFICATION

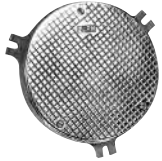
Zurn ZANB1462 secured wall access panel features square, smooth nickel bronze panel, frame with beveled edge, and anchor lugs for over wall installation.

Product Designation	Dimensions in inches [mm]				Approximate Weight lb [kg]
	A Square	B Square	C Square	D	
-6	5-15/16 [151]	7-1/2 [191]	6-1/2 [165]	1-1/4 [32]	3 [1]
-8	7-1/4 [184]	9-3/4 [248]	7-5/8 [194]	1-5/16 [33]	5 [2]
-10	9-3/8 [238]	11-7/8 [302]	9-3/4 [248]	1-5/16 [33]	7 [3]
-12	11-3/8 [289]	13-7/8 [352]	11-3/4 [298]	1-5/16 [33]	11 [5]



PREFIXES	DESCRIPTION	PRODUCT DESIG.	LIST PRICE
ZANB1462*	Nickel Bronze with Polished Cover	-6	875.00
		-12	1,494.00
SUFFIXES			ADD
-VP	Vandal-Proof Screws		101.00
BEST SELLER			LIST PRICE
ZANB1462-8			1,278.00

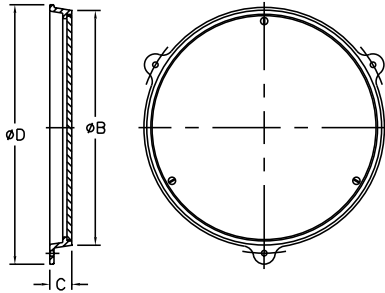
## Z1463 ROUND SCORIATED ACCESS COVER



### ENGINEERING SPECIFICATION

Zurn ZANB1463 features access panel and frame, round, scoriated, nickel bronze panel secured to frame, set flush to finished wall plane or floor, and anchor lugs.

Product Designation	Dimensions in inches [mm]				Approximate Weight lb [kg]
	Nominal Pipe Size	B	C	D	
-7	2 [51], 3 [76], 4 [102]	6-5/8 [168]	3/4 [19]	7-1/2 [191]	6 [3]
-11	5 [127], 6 [152], 8 [203]	10-3/4 [273]	1 [25]	11-7/8 [302]	12 [5]



PREFIXES	DESCRIPTION	A PIPE SIZE	LIST PRICE
ZANB1463*	Nickel Bronze with Polished Scoriated Cover	2", 3", 4" 5", 6", 8"	511.00 1,278.00
ZAB1463	Bronze with Polished Scoriated Cover	2", 3", 4" 5", 6", 8"	470.00 1,122.00
SUFFIXES			ADD
-VP	Vandal-Proof Screws		101.00
BEST SELLERS			LIST PRICE
ZANB1463-11			1,278.00
ZANB1463-7			511.00

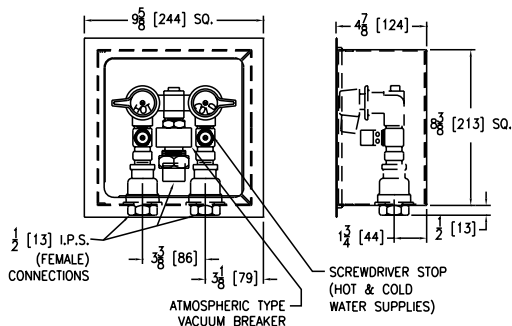
## Z1464 WATER SUPPLY CONTROL BOX ASSEMBLY



### ENGINEERING SPECIFICATION

Zurn ZS1464 water supply control box assembly features 18-8 Type 304 stainless steel, cylinder lock and hinged cover, bronze control valves, screwdriver stops, and atmospheric type vacuum breaker.

A Opening Size inches [mm]	Approximate Weight lb [kg]
8-1/2 [216] x 8-1/2 [216]	17 [8]



PREFIXES	DESCRIPTION	A OPENING SIZE	LIST PRICE
ZS1464*	Type 304 Stainless Steel	8-1/2" x 8-1/2"	7,700.00
SUFFIXES			DEDUCT
-LM	Less Internal Mixing Valve Assembly		(2,154.00)
BEST SELLER			LIST PRICE
ZS1464			7,700.00

\*Regularly furnished unless otherwise specified.

Items designated as Best Sellers are most specified and are generally in stock for shipment.

⌚ This symbol denotes a product that is engineered to reduce installation and rework time.

For additional product information, please visit [www.zurn.com](http://www.zurn.com)

Patent [zurn.com/patents](http://zurn.com/patents)

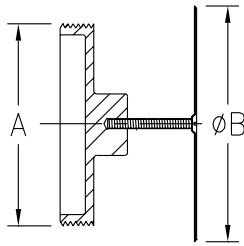
## Z1468 ACCESS COVER AND PLUG



### ENGINEERING SPECIFICATION

Zurn ZS1468 round stainless steel wall access cover comes complete with securing screw and bronze raised hex head plug.

Product Designation	Dimensions in inches [mm]		Approximate Weight lb [kg]
	A Pipe Size	C	
-1.25	1-1/4 [32]	4 [102]	4 [2]
-1.5	1-1/2 [38]		
-2	2 [51]	5 [127]	5 [2]
-2.5	2-1/2 [64]		
-3	3 [76]		
-3.5	3-1/2 [89]		
-4	4 [102]	7 [178]	8 [4]
-5	5 [127]		11 [5]
-6	6 [152]	9 [229]	14 [6]
-8	8 [203]	11 [279]	25 [11]



PREFIXES	DESCRIPTION	A PIPE SIZE	LIST PRICE
<b>ZS1468*</b>	Bronze with Stainless Steel Cover	1-1/4", 1-1/2"	264.00
		2"	283.00
		2-1/2"	301.00
		3"	342.00
		3-1/2"	427.00
		4"	446.00
		5"	629.00
		6"	957.00
<b>ZAB1468</b>	Bronze Plug with Polished Bronze Cover	1-1/4", 1-1/2"	204.00
		2"	219.00
		2-1/2"	242.00
		3"	283.00
		3-1/2"	374.00
		4"	388.00
		5"	560.00
		6"	895.00
8"	1,670.00		

SUFFIXES	ADD
<b>-SL</b>	Screws Longer Than 3-1/2" (Per Inch) 31.00
<b>-VP</b>	Vandal-Proof Screw 101.00
BEST SELLERS LIST PRICE	
ZS1468-2	283.00
ZS1468-3	342.00
ZS1468-4	446.00
ZS1468-4-VP	545.00

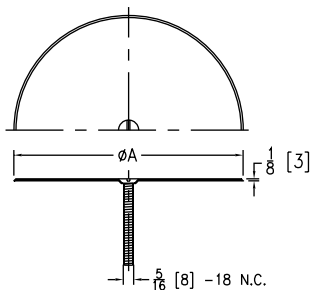
## Z1469 ROUND ACCESS COVER



### ENGINEERING SPECIFICATION

Zurn ZS1469 round stainless steel access cover comes complete with securing screw.

Product Designation	Dimensions in inches [mm]		Approximate Weight lb [kg]
	A Cover Diameter	Nominal Pipe Size	
-4	4 [102]	2 [51], 3 [76], 3-1/2 [89]	1 [0.5]
-5	5 [127]	2 [51], 3 [76], 3-1/2 [89]	1 [0.5]
-7	7 [178]	4 [102], 5 [127]	2 [1]
-9	9 [229]	6 [152]	3 [1]
-11	11 [279]	8 [203]	4 [2]



PREFIXES	DESCRIPTION	A PIPE SIZE	LIST PRICE
<b>ZS1469*</b>	Type 304 Stainless Steel Polished Cover	2", 3", 3-1/2"	204.00
		4", 5"	250.00
		6"	446.00
		8"	691.00
<b>ZAB1469</b>	Bronze Polished Cover	2", 3", 3-1/2"	145.00
		4", 5"	189.00
		6"	388.00
		8"	633.00

SUFFIXES	ADD
<b>-SL</b>	Screws Longer Than 3-1/2" (Per Inch) 31.00
<b>-VP</b>	Vandal-Proof Screw 101.00
BEST SELLERS LIST PRICE	
ZS1469-4	204.00
ZS1469-5	204.00
ZS1469-7	250.00
ZS1469-9	446.00
ZS1469-11	691.00

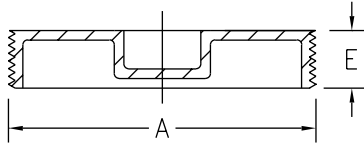
## Z1470 BRONZE CLEANOUT PLUG



### ENGINEERING SPECIFICATION

Zurn ZARB1470 bronze cleanout plug is a countersunk, ABS tapered thread plug.

Product Designation	Dimensions in inches [mm]		Approximate Weight lb [kg]
	A Pipe Size	E Body Height Dimensions	
-1.25	1-1/4 [32]	9/16 [14]	.5 [0.23]
-1.5	1-1/2 [38]	5/8 [16]	.5 [0.23]
-2	2 [51]	1/2 [13]	.75 [0.34]
-2.5	2-1/2 [64]	3/4 [19]	.75 [0.34]
-3	3 [76]	3/4 [19]	1 [0.5]
-3.5	3-1/2 [89]	3/4 [19]	1 [0.5]
-4	4 [102]	3/4 [19]	1.5 [0.6]
-5	5 [127]	3/4 [19]	1.5 [0.6]
-6	6 [152]	3/4 [19]	3 [1]
-8	8 [203]	3/4 [19]	7 [3]



PREFIXES	DESCRIPTION	A PIPE SIZE	LIST PRICE
ZARB1470*	Plain Bronze	1-1/4", 1-1/2"	71.00
		2"	157.00
		2-1/2"	198.00
		3"	271.00
		3-1/2"	230.00
		4"	250.00
		5"	721.00
		6"	964.00
		8"	1,978.00
SUFFIXES			ADD
-A	Raised Head		N/C
-PW	Plug Wrench		119.00

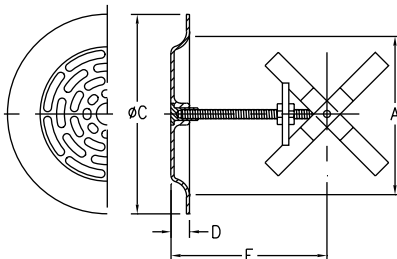
## Z1471 AIR INLET



### ENGINEERING SPECIFICATION

Zurn ZANB1471 fresh air inlet features round nickel bronze, crowned and perforated, complete with 4-point contact locking device.

Product Designation	Dimensions in inches [mm]			Open Area sq in [cm <sup>2</sup> ]	Approximate Weight lb [kg]
	A Pipe Size	C	D		
-3	3 [76]	8 [203]	3/4 [19]	9 [58]	3 [1]
-4	4 [102]				
-5	5 [127]	12 [305]	6-1/4 [159]	28 [181]	7 [3]
-6	6 [152]				
-8	8 [203]				
-10	10 [254]				



PREFIXES	DESCRIPTION	PRODUCT DESIGNATION	A PIPE SIZE	LIST PRICE
ZANB1471*	Nickel Bronze with Polished Cover	-3	3"	836.00
		-4	4"	836.00
		-5	5"	1,414.00
		-6	6"	1,414.00
		-8	8"	2,253.00
		-10	10"	2,253.00
ZAB1471	Bronze with Polished Cover	-3	3"	709.00
		-4	4"	709.00
		-5	5"	1,110.00
		-6	6"	1,110.00
		-8	8"	1,717.00
		-10	10"	1,717.00
SUFFIXES				ADD
-CP	Chrome Plated			449.00

\*Regularly furnished unless otherwise specified.

Items designated as Best Sellers are most specified and are generally in stock for shipment.

⌚ This symbol denotes a product that is engineered to reduce installation and rework time.

For additional product information, please visit [www.zurn.com](http://www.zurn.com)

Patent [zurn.com/patents](http://zurn.com/patents)



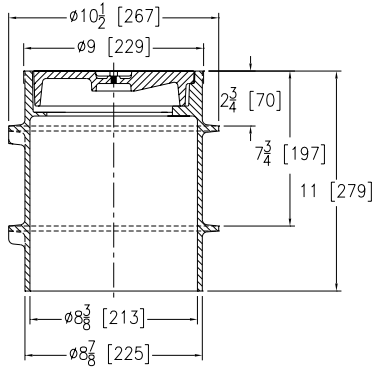
## Z1474 HEAVY-DUTY CLEANOUT HOUSING



### ENGINEERING SPECIFICATION

Zurn Z1474 heavy-duty cleanout housing features Dura-Coated cast iron body, integral anchor flange, and secured scoriated cover with lifting device.

A Pipe Size inches [mm]	Approximate Weight lb [kg]
8-3/8 [213]	40 [18]



PREFIXES	DESCRIPTION	A PIPE SIZE	LIST PRICE
<b>Z1474*</b>	Dura-Coated Cast Iron	8-3/8"	<b>1,903.00</b>
<b>ZN1474</b>	D.C.C.I. with Polished Nickel Bronze Top	8-3/8"	<b>2,739.00</b>
SUFFIXES			ADD
<b>-DC</b>	Duresist Cover		<b>632.00</b>
<b>-G</b>	Galvanized Cast Iron		<b>762.00</b>
<b>-N</b>	With Internal Cleanout (See Z1440)	4"	<b>285.00</b>
		6"	<b>576.00</b>
<b>-SG</b>	Solid Gasketed Cover		<b>449.00</b>
<b>-VP</b>	Vandal-Proof Screw		<b>137.00</b>
BEST SELLERS			LIST PRICE
Z1474-4-N			<b>2,188.00</b>
Z1474-4-N-VP			<b>2,323.00</b>
ZN1474-N-4			<b>3,023.00</b>
Z1474-6-N			<b>2,477.00</b>

# WATER HAMMER ARRESTORS

**Z1700** SHOKTROL WATER HAMMER ARRESTORS

**290**

**Z1712** ACCUMUTROL

**290**

## Z1700 SHOKTROL WATER HAMMER ARRESTORS



### ENGINEERING SPECIFICATION

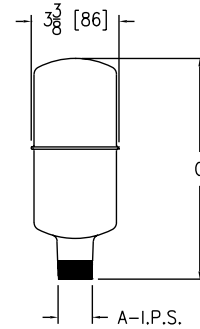
Zurn Z1700 Shoktrol Water Hammer Arrestors are regularly furnished in all stainless steel construction. Pipe threads are accurately machined to assure tight connection. 3/4" [19mm] male I.P.S. inlet is standard for the 100 size units, while 1" [25mm] male I.P.S. inlet is standard for sizes 200 thru 600.

### NOTE:

Where required in piping systems, properly sized water hammer arrestors shall be Zurn Z1700 (specify size) with nesting type bellows contained within a casing having sufficient displacement volume to dissipate the calculated kinetic energy generated, in the piping system. Both casing and bellows constructed of Type 304 stainless steel.

All sizes of Zurn Z1700 Shoktrol water hammer arrestors comply with the following specifications:  
PDI WH-201  
ASSE 1010

Size	Dimensions in inches [mm]		Approximate Weight lb [kg]	Fixture Unit Capacity
	A	C		
100	3/4 [19]	3-1/4 [82]	15/16 [.425]	1-11
200	1 [25]	4-1/16 [103]	1-5/32 [.525]	12-32
300		4-3/8 [111]	1-5/16 [.6]	33-60
400		5-1/4 [133]	1-9/16 [.7]	61-113
500		7-1/32 [178]	2-3/16 [1.0]	114-154
600		7-1/32 [178]	2-3/16 [1.0]	155-330



PREFIXES	DESCRIPTION	SIZE	LIST PRICE
Z*	Zurn Shoktrol Water Hammer Arrestors are regularly furnished in all stainless steel construction. Pipe threads are accurately machined to assure tight connection. 3/4" male I.P.S. inlet is standard for sizes 100 and 200, while 1" male I.P.S. inlet is standard for sizes 300 thru 600.	100	744.00
		200	1,496.00
		300	2,250.00
		400	5,623.00
		500	6,347.00
		600	7,799.00

BEST SELLERS	LIST PRICE
Z1700-100	744.00
Z1700-200	1,496.00
Z1700-300	2,250.00
Z1700-400	5,623.00

## Z1712 ACCUMUTROL

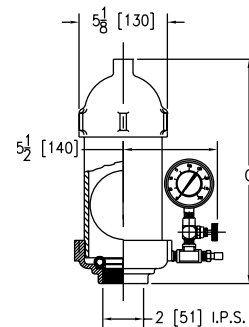


### ENGINEERING SPECIFICATION

Shock associated with solenoid or other quick-closing valves serving heavy equipment, such as laundry machines, dishwashers, etc., shall be controlled by installation of Zurn Z1712 Accumutrol. Comes complete with floating stainless steel spherical piston, surge chamber, valve and gauge assembly. Specify size and location.

### NOTE:

Maximum temperature 500°F. Maximum pressure 200 psi residual.



Size	C inches [mm]	Approximate Weight lb [kg]
2000	13 [330]	20 [9]
4000	21 [533]	28 [13]
6000	29 [737]	36 [16]
8000	37 [940]	44 [20]
10000	45 [1143]	52 [24]
12000	53 [1346]	60 [27]
14000	61 [1549]	68 [31]
16000	69 [1753]	76 [34]

PREFIXES	DESCRIPTION	SIZE	LIST PRICE
Z*	Bronze surge chamber, Viton valve seat and stainless steel spherical piston.	2000	9,576.00
		4000	11,094.00
		6000	12,719.00
		8000	15,477.00
		10000	17,854.00
		12000	20,232.00
		14000	30,248.00
		16000	33,392.00

BEST SELLERS	LIST PRICE
Z1712-2000	9,576.00
Z1712-6000	12,719.00

# STAINLESS STEEL DRAINS

STAINLESS STEEL DRAINS – APPLICATION INDEX	292
STAINLESS STEEL DRAINS – BUTT-WELD ENGINEERING DATA	292
<b>Z1715</b> 15" DIAMETER ROOF DRAIN	293
<b>Z1717</b> SCUPPER DRAIN	293
<b>Z1720</b> 4" X 8" OPEN SIGHT DRIP DRAIN	294
<b>Z1721</b> 6" X 12" OPEN SIGHT DRIP DRAIN	294
<b>Z1724</b> ROUND FUNNEL	295
<b>Z1725</b> OVAL FUNNEL	295
<b>Z1726</b> ADJUSTABLE MEDIUM DUTY FLOOR DRAIN WITH ROUND TOP	296
<b>Z1727</b> ADJUSTABLE MEDIUM DUTY FLOOR DRAIN WITH SQUARE TOP	297
<b>Z1730</b> 9" DIAMETER HEAVY-DUTY SHALLOW TYPE FLOOR DRAIN	298
<b>Z1731</b> 9" DIAMETER HEAVY-DUTY MEDIUM DEPTH FLOOR DRAIN	298
<b>Z1732</b> 9-5/8" DIAMETER HEAVY-DUTY ADJUSTABLE FLOOR DRAIN	299
<b>Z1735</b> 12" DIAMETER HEAVY-DUTY FLOOR DRAIN	299
<b>Z1736</b> 12" DIAMETER EXTRA HEAVY-DUTY FLOOR DRAIN	300
<b>Z1737</b> 15" DIAMETER EXTRA HEAVY-DUTY FLOOR DRAIN	300
<b>Z1739</b> PIT DRAIN	301
<b>Z1740</b> BACKWATER VALVE	301
<b>Z1745</b> FLOOR CLEANOUT WITH O-RING SEAL PLUG	302
<b>Z1749</b> 12" X 12" SANI-FLOOR RECEPTOR WITH 4" SUMP DEPTH	303
<b>Z1750</b> 12" X 12" SANI-FLOOR RECEPTOR WITH 6" SUMP DEPTH	304
<b>Z1751</b> 12" X 12" SANI-FLOOR RECEPTOR WITH 8" SUMP DEPTH	305
<b>Z1752</b> 12" X 12" SANI-FLOOR RECEPTOR WITH 10" SUMP DEPTH	306
<b>Z1755</b> 13-3/8" SQUARE SANI-FLOOR RECEPTOR 6" SUMP WITH ADJUSTABLE CLAMP FRAME	307
<b>Z1761</b> 24-5/16" SQUARE KETTLE DRAIN WITH 8" SUMP DEPTH	307
<b>Z1762</b> 25" X 15-1/2" KETTLE DRAIN	308
<b>Z1763</b> 37-9/16" X 22-7/8" KETTLE DRAIN	308

## STAINLESS STEEL DRAINS – APPLICATION INDEX

Product selection should be made with a specific application and the type of construction in mind. The varied types and sizes of Zurn drainage products, together with their options, offer a drain selection for all applications.

APPLICATION	RECOMMENDED DRAINAGE PRODUCT
Main Roof Drain	Z1715
Wall or Scupper Drain	Z1717
Food Service Floor Drain	Z1749, Z1750, Z1751, Z1752, Z1761, Z1762, Z1763
Indirect Waste Floor Receptor	Z1720, Z1721, Z1750-1, Z1751-1, Z1752-1
Heavy-Duty Floor Drain	Z1730, Z1731, Z1732, Z1735, Z1737
Adjustable Floor Drain	Z1726, Z1727, Z1732
Extra-Heavy-Duty Floor Drain	Z1736, Z1737
Wall of Pitt Drain	Z1739
Backwater Valve	Z1740
Sanitary Floor Cleanout	Z1745
Pool Deck Drain	Z1723

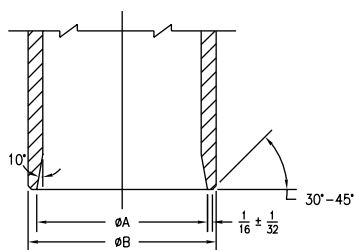
## STAINLESS STEEL DRAINS – BUTT-WELD ENGINEERING DATA

### Butt-Welding Casting Outlets

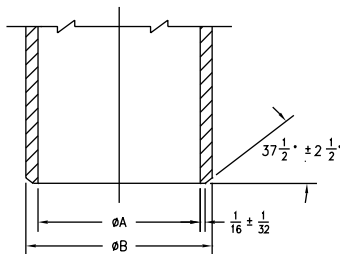
The outlet sections of all cast carbon steel or cast stainless steel products as specified from this brochure shall conform to ANSI-B36.10M-85 and ANSI-B36.19M-85 standards for pipe wall thicknesses for Schedule 10, Schedule 40, or Schedule 80 as specified.

Butt-welding ends of the above mentioned sections shall conform to ANSI B16.25-86 standard for plain welding bevel of  $37\frac{1}{2}^{\circ} + 2\frac{1}{2}^{\circ}$  and root face (land) of  $\frac{1}{16}'' + \frac{1}{32}''$ .

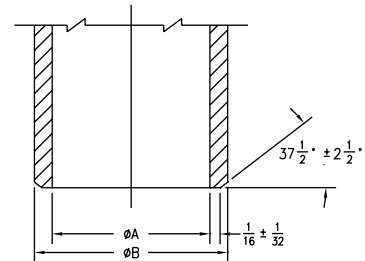
All outlet requirements must be specified and made known to the manufacturer prior to quotation of prices of products applicable to the project.



Schedule 10S Pipe



Schedule 40 Pipe



Schedule 80 Pipe

Schedule Pipe	Dimensions in Inches [mm]									
	Pipe Size									
	2 [51]		3 [76]		4 [102]		6 [152]		8 [203]	
	A	B	A	B	A	B	A	B	A	B
10S	2.157	2.375	3.260	3.500	4.260	4.500	6.375	6.625	8.329	8.625
40	2.067	2.375	3.068	3.500	4.026	4.500	6.065	6.625	7.981	8.625
80	1.939	2.375	2.900	3.500	3.826	4.500	5.761	6.625	7.625	8.625

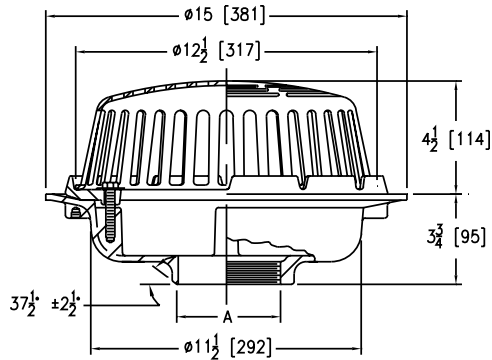
## Z1715 15" DIAMETER ROOF DRAIN



### ENGINEERING SPECIFICATION

Zurn Z1715 roof drain features Type 304 (CF8) stainless steel body, galvanized cast iron combination gravel guard/flashing clamp, and dome strainer.

Dimensions in inches [mm]		Approximate Weight lb [kg]	Dome Open Area sq in [cm <sup>2</sup> ]
A Pipe Size			
<b>Butt-Weld (BW) - Specify Schedule 10 or 40</b>			
3BW, 4BW		52 [24]	103 [665]
6BW		54 [24]	
<b>Threaded (IP)</b>			
3IP, 4IP		52 [24]	103 [665]



PREFIXES	DESCRIPTION	A PIPE SIZE	LIST PRICE
Z1715*	Type 304 (CF8) Stainless Steel Body	3", 4"	POA
		6"	POA
ZM1715	Type 316 (CF8M) Stainless Steel Body	3", 4"	POA
		6"	POA

OUTLETS (SPECIFY PIPE SIZE IN INCHES AND TYPE OF OUTLET)			
OUTLET TYPE		PIPE SIZE/OUTLET TYPE	ADD
BW	Butt-weld (Specify Schedule 10 or 40)	3BW, 4BW, 6BW	POA
IP	Threaded	3IP, 4IP	POA

SUFFIXES			
			ADD
-C	Galvanized Underdeck Clamp		POA
-DP	Top-Set® Roof Deck Plate (Replaces both the -C and -R)		POA
-E	Galvanized Extension (Specify height from 1" to 4")		POA
-R	Galvanized Steel Sump Receiver		POA
-VP	Vandal-Proof Secured Top		POA

BEST SELLER	LIST PRICE
Z1715-4IP-DP	POA

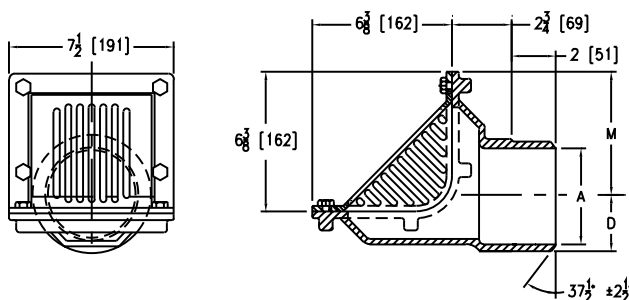
## Z1717 SCUPPER DRAIN



### ENGINEERING SPECIFICATION

Zurn Z1717 scupper drain features Type 304 (CF8) stainless steel body, cast aluminum oblique grate, and clamp collar.

Dimensions in inches [mm]			Approximate Weight lb [kg]	Grate Open Area sq in [cm <sup>2</sup> ]
A Pipe Size	D	M		
<b>Butt-weld (BW) - Specify Schedule 10 or 40</b>				
3BW	2 [51]	6-1/8 [156]	24 [11]	20 [129]
4BW	2-1/2 [63]	5-5/8 [143]		



PREFIXES	DESCRIPTION	A PIPE SIZE	LIST PRICE
Z1717*	Type 304 (CF8) Stainless Steel Body	3", 4"	POA
ZM1717	Type 316 (CF8M) Stainless Steel Body	3", 4"	POA

OUTLETS (SPECIFY PIPE SIZE IN INCHES AND TYPE OF OUTLET)			
OUTLET TYPE		PIPE SIZE/OUTLET TYPE	ADD
BW	Butt-weld (Specify Schedule 10 or 40)	3BW, 4BW	POA

SUFFIXES			
			ADD
-VP	Vandal-Proof Secured Top		POA

BEST SELLER	LIST PRICE
Z1717-4BW-SC40	POA

\*Regularly furnished unless otherwise specified.

Items designated as Best Sellers are most specified and are generally in stock for shipment.

⌚ This symbol denotes a product that is engineered to reduce installation and rework time.

For additional product information, please visit [www.zurn.com](http://www.zurn.com)

Patent [zurn.com/patents](http://zurn.com/patents)

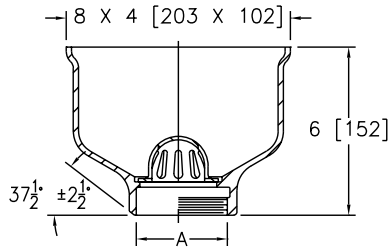
## Z1720 4" X 8" OPEN SIGHT DRIP DRAIN



### ENGINEERING SPECIFICATION

Zurn Z1720 4" x 8" open sight drip drain features Type 304 (CF8) stainless steel body and integral aluminum bottom dome strainer, all with plain finish.

Dimensions in inches [mm]		Approximate Weight lb [kg]
A Pipe Size		
<b>Butt-Weld (BW) - Specify Schedule 10 or 40</b>		
2BW, 3BW		13 [6]
<b>Threaded (IP)</b>		
2IP, 3IP		13 [6]



PREFIXES	DESCRIPTION	A PIPE SIZE	LIST PRICE
Z1720*	Type 304 (CF8) Stainless Steel Body	2", 3"	POA
ZM1720	Type 316 (CF8M) Stainless Steel Body	2", 3"	POA
<b>OUTLETS (SPECIFY PIPE SIZE IN INCHES AND TYPE OF OUTLET)</b>			
OUTLET TYPE		PIPE SIZE/OUTLET TYPE	ADD
BW	Butt-weld (Specify Schedule 10 or 40)	2BW, 3BW	POA
IP	Threaded	2IP, 3IP	POA
<b>SUFFIXES</b>			
-DB	Stainless Steel Dome Bottom Strainer		POA
-FG	Flush Gate		POA
<b>BEST SELLER</b>			<b>LIST PRICE</b>
Z1720-3IP			POA

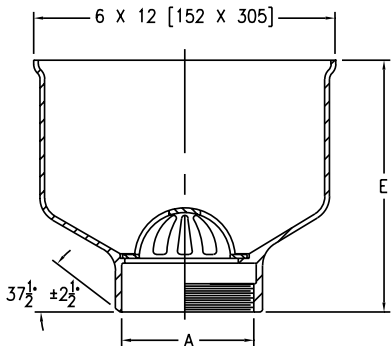
## Z1721 6" X 12" OPEN SIGHT DRIP DRAIN



### ENGINEERING SPECIFICATION

Zurn Z1721 6" x 12" open sight drip drain features Type 304 (CF8) stainless steel body and integral aluminum bottom dome strainer, all with plain finish.

Dimensions in inches [mm]		Approximate Weight lb [kg]
A Pipe Size	E Body Height Dimensions	
<b>Butt-Weld (BW) - Specify Schedule 10 or 40</b>		
3BW, 4BW, 6BW	10 [254]	30 [14]
<b>Threaded (IP)</b>		
3IP, 4IP, 6IP	10 [254]	30 [14]



PREFIXES	DESCRIPTION	A PIPE SIZE	LIST PRICE	
Z1721*	Type 304 (CF8) Stainless Steel Body	3", 4", 6"	POA	
ZM1721	Type 316 (CF8M) Stainless Steel Body	3", 4", 6"	POA	
<b>OUTLETS (SPECIFY PIPE SIZE IN INCHES AND TYPE OF OUTLET)</b>				
OUTLET TYPE		PIPE SIZE/OUTLET TYPE	E BODY HT. DIM.	ADD
BW	Butt-weld (Specify Schedule 10 or 40)	3BW, 4BW, 6BW	10"	POA
IP	Threaded	3IP, 4IP, 6IP	10"	POA
<b>SUFFIXES</b>				
-DB	Stainless Steel Dome Bottom Strainer		POA	
-FG	Flush Gate		POA	

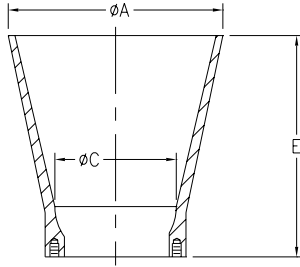
## Z1724 ROUND FUNNEL



### ENGINEERING SPECIFICATION

Zurn Z1724 4" or 6" diameter round funnel features Type 304 (CF8) stainless steel with satin finish and securing screws.

Dimensions in inches [mm]			Approximate Weight lb [kg]
A	C	E	
4 [102]	2-1/4 [57]	3-3/4 [95]	3 [1]
6 [152]	2-7/8 [73]	6 [152]	5 [2]



PREFIXES	DESCRIPTION	PRODUCT DESIG.	'A' DIA. SIZE	LIST PRICE
Z1724*	Type 304 (CF8) Stainless Steel Body	-4	4"	POA
		-6	6"	POA
ZM1724	Type 316 (CF8M) Stainless Steel Body	-4	4"	POA
		-6	6"	POA
BEST SELLER				LIST PRICE
Z1724-4				POA

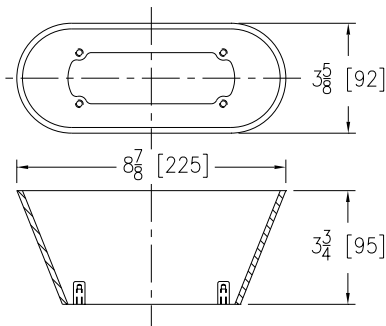
## Z1725 OVAL FUNNEL



### ENGINEERING SPECIFICATION

Zurn Z1725 8-7/8" x 3-5/8" oval funnel features Type 304 (CF8) stainless steel with satin finish and securing screws. (For use with 6" top size or larger.)

Dimensions in inches [mm]	Approximate Weight lb [kg]
A Oval Size	
8-7/8 [225] x 3-5/8 [92]	5 [2]



PREFIXES	DESCRIPTION	A PIPE SIZE	LIST PRICE
Z1725*	Type 304 (CF8) Stainless Steel Body	8-7/8" x 3-5/8"	POA
ZM1725	Type 316 (CF8M) Stainless Steel Body	8-7/8" x 3-5/8"	POA

\*Regularly furnished unless otherwise specified.

Items designated as Best Sellers are most specified and are generally in stock for shipment.

⌚ This symbol denotes a product that is engineered to reduce installation and rework time.

For additional product information, please visit [www.zurn.com](http://www.zurn.com)

Patent [zurn.com/patents](http://zurn.com/patents)



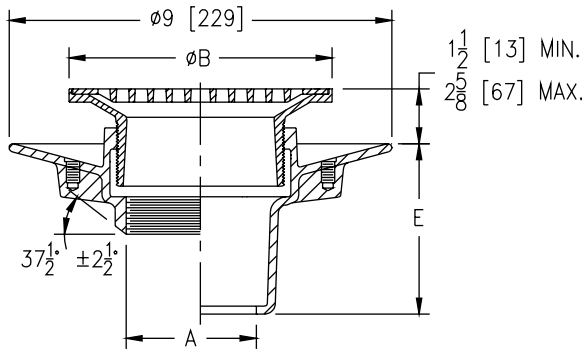
# Z1726 ADJUSTABLE MEDIUM DUTY FLOOR DRAIN WITH ROUND TOP



## ENGINEERING SPECIFICATION

Zurn Z1726 medium-duty adjustable floor drain features all Type 304 (CF8) stainless steel, anchor flange (clamp collar with seepage holes, when specified), and 6" diameter medium-duty vertically adjustable satin finish top.

Dimensions in inches [mm]			Approximate Weight lb [kg]	Grate Open Area sq in [cm <sup>2</sup> ]
A	B	E		
<b>Butt-Weld (BW) - Specify Schedule 10 or 40</b>				
2BW, 3BW	5 [127]	2-7/8 [73]	13 [6]	7 [45]
2BW, 3BW, 4BW	6 [152]		13 [6]	11 [71]
2BW, 3BW, 4BW	7 [178]		14 [6]	15 [97]
3BW, 4BW, 6BW	8 [203]		16 [7]	20 [129]
6BW	10 [254]		19 [9]	27 [174]
<b>Inside Caulk (IC)</b>				
2IC, 3IC	5 [127]	4-3/8 [111]	13 [6]	7 [45]
2IC, 3IC, 4IC	6 [152]		13 [6]	11 [71]
2IC, 3IC, 4IC	7 [178]		14 [6]	15 [97]
3IC, 4IC	8 [203]		16 [7]	20 [129]
<b>Threaded (IP)</b>				
2IP, 3IP	5 [127]	2-7/8 [73]	13 [6]	7 [45]
2IP, 3IP, 4IP	6 [152]		13 [6]	11 [71]
2IP, 3IP, 4IP	7 [178]		14 [6]	15 [97]
3IP, 4IP	8 [203]		16 [7]	20 [129]



PREFIXES	DESCRIPTION	STRAINER DESIG.	A PIPE SIZE	LIST PRICE
<b>Z1726*</b>	Type 304 (CF8) Stainless Steel Body	-RD5	2", 3"	POA
		-RD6	2", 3", 4"	POA
		-RD7	2", 3", 4"	POA
		-RD8	3", 4", 6"	POA
		-RD10	6"	POA
<b>ZM1726</b>	Type 316 (CF8M) Stainless Steel Body	-RD5	2", 3"	POA
		-RD6	2", 3", 4"	POA
		-RD7	2", 3", 4"	POA
		-RD8	3", 4", 6"	POA
		-RD10	6"	POA

<b>OUTLETS (SPECIFY PIPE SIZE IN INCHES AND TYPE OF OUTLET)</b>			
OUTLET TYPE	PIPE SIZE/OUTLET TYPE	E BODY HT. DIM.	ADD
<b>BW</b>	Butt-weld (Specify Schedule 10 or 40)	2BW, 3BW, 4BW, 6BW	2-7/8" POA
<b>IC</b>	Inside Caulk	2IC, 3IC, 4IC	4-3/8" POA
<b>IP</b>	Threaded	2IP, 3IP, 4IP	2-7/8" POA
<b>SUFFIXES</b>			ADD
<b>-K</b>	Seepage Holes Only		POA
<b>-KC</b>	Clamp Collar with Seepage Holes		POA
<b>-VP</b>	Vandal-Proof Secured Top		POA
<b>-Y</b>	Stainless Steel Sediment Bucket		POA
<b>BEST SELLERS</b>			LIST PRICE
Z1726-3IP			POA
Z1726-3IP-RD5			POA
Z1726-4IP-K			POA

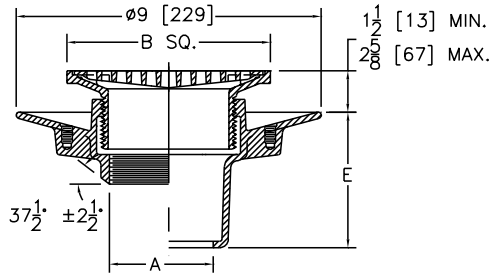
# Z1727 ADJUSTABLE MEDIUM DUTY FLOOR DRAIN WITH SQUARE TOP



## ENGINEERING SPECIFICATION

Zurn Z1727 medium-duty adjustable floor drain features all Type 304 (CF8) stainless steel, anchor flange (clamp collar with seepage holes when specified), and 6" square medium-duty vertically adjustable satin finish top.

Dimensions in inches [mm]			Approximate Weight lb [kg]	Grate Open Area sq in [cm <sup>2</sup> ]
A	B	E		
<b>Butt-Weld (BW) - Specify Schedule 10 or 40</b>				
2BW, 3BW	5 [127]	2-7/8 [73]	13 [6]	9 [58]
2BW, 3BW, 4BW	6 [152]		14 [6]	13 [84]
3BW, 4BW, 6BW	8 [203]		18 [8]	25 [161]
<b>Inside Caulk (IC)</b>				
3IC	5 [127]	4-3/8 [111]	13 [6]	9 [58]
3IC, 4IC	6 [152]		14 [6]	13 [84]
3IC, 4IC	8 [203]		18 [8]	25 [161]
<b>Threaded (IP)</b>				
2IP, 3IP	5 [127]	2-7/8 [73]	13 [6]	9 [58]
2IP, 3IP, 4IP	6 [152]		14 [6]	13 [84]
3IP, 4IP	8 [203]		18 [8]	25 [161]



PREFIXES	DESCRIPTION	STRAINER DESIG.	A PIPE SIZE	LIST PRICE
<b>Z1727*</b>	Type 304 (CF8) Stainless Steel Body and Top Assembly	-SQ5	2", 3"	POA
		-SQ6	2", 3", 4"	POA
		-SQ8	3", 4", 6"	POA
<b>ZM1727</b>	Type 316 (CF8M) Stainless Steel Body and Top Assembly	-SQ5	2", 3"	POA
		-SQ6	2", 3", 4"	POA
		-SQ8	3", 4", 6"	POA

### OUTLETS (SPECIFY PIPE SIZE IN INCHES AND TYPE OF OUTLET)

OUTLET TYPE	PIPE SIZE/OUTLET TYPE	E BODY HT. DIM.	ADD
<b>BW</b>	Butt-weld (Specify Schedule 10 or 40)	2BW, 3BW, 4BW, 6BW	2-7/8" POA
<b>IC</b>	Inside Caulk	3IC, 4IC	4-3/8" POA
<b>IP</b>	Threaded	2IP, 3IP, 4IP	2-7/8" POA

### SUFFIXES

SUFFIXES	ADD
<b>-K</b>	Seepage Holes Only POA
<b>-KC</b>	Clamp Collar with Seepage Holes POA
<b>-VP</b>	Vandal-Proof Secured Top POA
<b>-Y</b>	Stainless Steel Sediment Bucket POA

### BEST SELLERS

BEST SELLERS	LIST PRICE
Z1727-3BW-SCH40-K-SQ5	POA
Z1727-4IP-SQ8	POA

\*Regularly furnished unless otherwise specified.

Items designated as Best Sellers are most specified and are generally in stock for shipment.

⌚ This symbol denotes a product that is engineered to reduce installation and rework time.

For additional product information, please visit [www.zurn.com](http://www.zurn.com)

Patent [zurn.com/patents](http://zurn.com/patents)

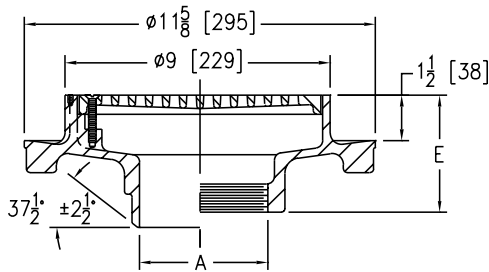
## Z1730 9" DIAMETER HEAVY-DUTY SHALLOW TYPE FLOOR DRAIN



### ENGINEERING SPECIFICATION

Zurn Z1730 9" diameter shallow type, heavy-duty floor drain features all Type 304 (CF8) stainless steel, integral anchor flange, and non-tilt grate with plain finish.

Dimensions in inches [mm]		Approximate Weight lb [kg]	Grate Open Area sq in [cm <sup>2</sup> ]
A	E		
<b>Butt-Weld (BW) - Specify Schedule 10 or 40</b>			
2BW, 3BW, 4BW	4-13/16 [122]	20 [9]	21 [135]
<b>Threaded (IP)</b>			
2IP, 3IP, 4IP	4-13/16 [122]	20 [9]	21 [135]
<b>No-Hub (NH)</b>			
2NH, 3NH, 4NH	4-13/16 [122]	20 [9]	21 [135]



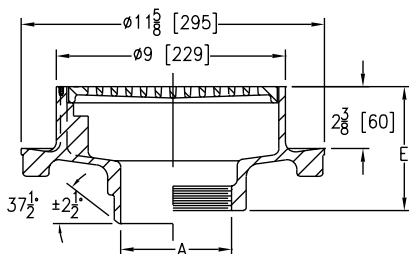
## Z1731 9" DIAMETER HEAVY-DUTY MEDIUM DEPTH FLOOR DRAIN



### ENGINEERING SPECIFICATION

Zurn Z1731 9" diameter heavy-duty floor drain features all Type 304 (CF8) stainless steel, anchor flange, and loose set grate with plain finish.

Dimensions in inches [mm]		Approximate Weight lb [kg]	Grate Open Area sq in [cm <sup>2</sup> ]
A	E		
<b>Butt-Weld (BW) - Specify Schedule 10 or 40</b>			
3BW, 4BW	5-11/16 [144]	22 [10]	21 [135]
<b>Inside Caulk (IC)</b>			
3IC, 4IC	5-11/16 [144]	22 [10]	21 [135]
<b>Threaded (IP)</b>			
3IP, 4IP	5-11/16 [144]	22 [10]	21 [135]
<b>No-Hub (NH)</b>			
3NH, 4NH	5-11/16 [144]	22 [10]	21 [135]



PREFIXES	DESCRIPTION	A PIPE SIZE	LIST PRICE
Z1730*	Type 304 (CF8) Stainless Steel Body	2", 3", 4"	POA
ZM1730	Type 316 (CF8M) Stainless Steel Body	2", 3", 4"	POA
<b>OUTLETS (SPECIFY PIPE SIZE IN INCHES AND TYPE OF OUTLET)</b>			
OUTLET TYPE	PIPE SIZE/OUTLET TYPE	E BODY HT. DIM.	ADD
BW	Butt-weld (Specify Schedule 10 or 40)	2BW, 3BW, 4BW	4-13/16" POA
IP	Threaded	2IP, 3IP, 4IP	4-13/16" POA
NH	No-Hub	2NH, 3NH, 4NH	4-13/16" POA
<b>SUFFIXES</b>			
-K	Seepage Holes Only		POA
-KC	Clamp Collar with Seepage Holes		POA
-TS	Top Secured with Slotted Screws		POA
-VP	Vandal-Proof Secured Top		POA
<b>BEST SELLER</b>			<b>LIST PRICE</b>
Z1730-4NH			POA

PREFIXES	DESCRIPTION	A PIPE SIZE	LIST PRICE
Z1731*	Type 304 (CF8) Stainless Steel Body	3", 4"	POA
ZM1731	Type 316 (CF8M) Stainless Steel Body	3", 4"	POA
<b>OUTLETS (SPECIFY PIPE SIZE IN INCHES AND TYPE OF OUTLET)</b>			
OUTLET TYPE	PIPE SIZE/OUTLET TYPE	E BODY HT. DIM.	ADD
BW	Butt-weld (Specify Schedule 10 or 40)	3BW, 4BW	5-11/16" POA
IC	Inside Caulk	3IC, 4IC	5-11/16" POA
IP	Threaded	3IP, 4IP	5-11/16" POA
NH	No-Hub	3NH, 4NH	5-11/16" POA
<b>SUFFIXES</b>			
-K	Seepage Holes Only		POA
-KC	Clamp Collar with Seepage Holes		POA
-TS	Top Secured with Slotted Screws		POA
-VP	Vandal-Proof Secured Top		POA
-Y	Sediment Bucket		POA
<b>BEST SELLERS</b>			<b>LIST PRICE</b>
Z1731-3IC			POA
Z1731-4IC			POA
Z1731-4NH-VP			POA

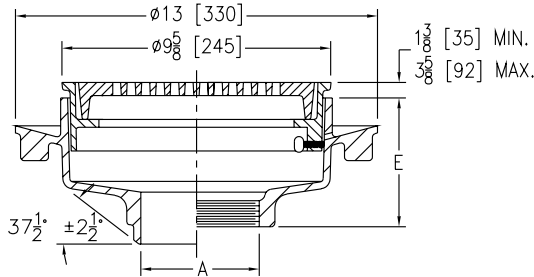
## Z1732 9-5/8" DIAMETER HEAVY-DUTY ADJUSTABLE FLOOR DRAIN



### ENGINEERING SPECIFICATION

Zurn Z1732 heavy-duty adjustable floor drain features all Type 304 (CF8) stainless steel, integral anchor flange, adjustable top frame, and deep floor grate with plain finish.

Dimensions in inches [mm]		Approximate Weight lb [kg]	Grate Open Area sq in [cm <sup>2</sup> ]
A	E		
<b>Threaded (IP)</b>			
2IP, 3IP, 4IP	6 [152]	40 [18]	14 [90]
6IP	6-3/8 [162]		
<b>No-Hub (NH)</b>			
2NH, 3NH, 4NH	6 [152]	40 [18]	14 [90]
6NH	6-3/8 [162]		



PREFIXES	DESCRIPTION	A PIPE SIZE	LIST PRICE
Z1732*	Type 304 (CF8) Stainless Steel Body	2", 3", 4", 6"	POA
ZM1732	Type 316 (CF8M) Stainless Steel Body	2", 3", 4", 6"	POA

OUTLETS (SPECIFY PIPE SIZE IN INCHES AND TYPE OF OUTLET)			
OUTLET TYPE		PIPE SIZE/OUTLET TYPE	E BODY HT. DIM. ADD
IP	Threaded	2IP, 3IP, 4IP	6" POA
		6IP	6-3/8" POA
NH	No-Hub	2NH, 3NH, 4NH	6" POA
		6NH	6-3/8" POA

SUFFIXES		ADD
-K	Seepage Holes Only	POA
-KC	Clamp Collar with Seepage Holes	POA
-SC	Solid Secured Cover	POA
-VP	Vandal-Proof Secured Top	POA
-Y	Sediment Bucket	POA
-30	Bronze Closure Plug	POA
-33	Type 304 (CF8) Stainless Steel Closure Plug	POA

BEST SELLERS	LIST PRICE
Z1732-2NH	POA
Z1732-3NH-33-KC	POA
Z1732-3NH-K	POA
Z1732-3NH-KC	POA
Z1732-3NH-KC-Y	POA
Z1732-4NH	POA

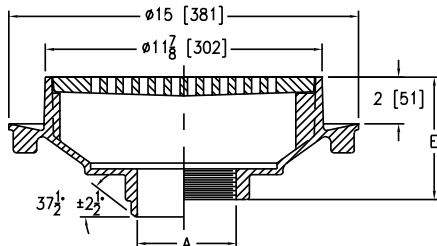
## Z1735 12" DIAMETER HEAVY-DUTY FLOOR DRAIN



### ENGINEERING SPECIFICATION

Zurn Z1735 12" diameter heavy-duty floor drain features all Type 304 (CF8) stainless steel body with integral anchor flange and non-tilt grate with plain finish.

Dimensions in inches [mm]		Approximate Weight lb [kg]	Grate Open Area sq in [cm <sup>2</sup> ]
A	E		
<b>Butt-Weld (BW) - Specify Schedule 10 or 40</b>			
3BW, 4BW	6 [152]	50 [23]	33 [213]
6BW		54 [24]	
<b>Threaded (IP)</b>			
3IP, 4IP	5-1/4 [133]	50 [23]	33 [213]
6IP		54 [24]	



PREFIXES	DESCRIPTION	A PIPE SIZE	LIST PRICE
Z1735*	Type 304 (CF8) Stainless Steel Body	3", 4", 6"	POA
ZM1735	Type 316 (CF8M) Stainless Steel Body	3", 4", 6"	POA

OUTLETS (SPECIFY PIPE SIZE IN INCHES AND TYPE OF OUTLET)			
OUTLET TYPE		PIPE SIZE/OUTLET TYPE	E BODY HT. DIM. ADD
BW	Butt-weld (Specify Schedule 10 or 40)	3BW, 4BW, 6BW	6" POA
IP	Threaded	3IP, 4IP, 6IP	5-1/4" POA

SUFFIXES		ADD
-K	Seepage Holes Only	POA
-KC	Clamp Collar with Seepage Holes	POA
-TS	Top Secured with Slotted Screws	POA
-VP	Vandal-Proof Secured Top	POA
-Y	Sediment Bucket	POA
-30	Bronze Closure Plug	POA
-33	Type 304 (CF8) Stainless Steel Closure Plug	POA

\*Regularly furnished unless otherwise specified.

Items designated as Best Sellers are most specified and are generally in stock for shipment.

⌚ This symbol denotes a product that is engineered to reduce installation and rework time.

For additional product information, please visit [www.zurn.com](http://www.zurn.com)

Patent [zurn.com/patents](http://zurn.com/patents)

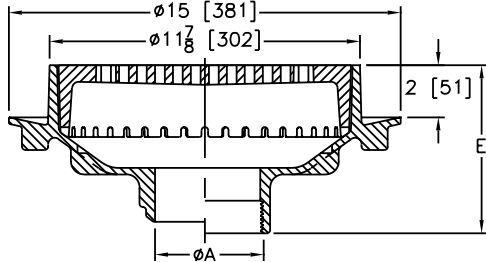
## Z1736 12" DIAMETER EXTRA HEAVY-DUTY FLOOR DRAIN



### ENGINEERING SPECIFICATION

Zurn Z1736 12" diameter extra heavy-duty floor drain features all Type 304 (CF8) stainless steel body with integral anchor flange and deep flange grate with plain finish.

Dimensions in inches [mm]		Approximate Weight lb [kg]	Grate Open Area sq in [cm <sup>2</sup> ]
A	E		
<b>Butt-Weld (BW) - Specify Schedule 10 or 40</b>			
3BW, 4BW, 6BW	6 [152]	61 [28]	34 [219]
<b>Threaded (IP)</b>			
3IP, 4IP, 6IP	6-7/16 [164]	61 [28]	34 [219]



PREFIXES	DESCRIPTION	A PIPE SIZE	LIST PRICE
Z1736*	Type 304 (CF8) Stainless Steel Body	3", 4", 6"	POA
ZM1736	Type 316 (CF8M) Stainless Steel Body	3", 4", 6"	POA
OUTLETS (SPECIFY PIPE SIZE IN INCHES AND TYPE OF OUTLET)			
OUTLET TYPE	PIPE SIZE/OUTLET TYPE	E BODY HT. DIM.	ADD
BW	Butt-weld (Specify Schedule 10 or 40)	3BW, 4BW, 6BW	6" POA
IP	Threaded	3IP, 4IP, 6IP	6-7/16" POA
SUFFIXES			ADD
-K	Seepage Holes Only		POA
-KC	Clamp Collar with Seepage Holes		POA
-TS	Top Secured with Slotted Screws		POA
-VP	Vandal-Proof Secured Top		POA
-Y	Sediment Bucket		POA
-30	Bronze Closure Plug		POA
-33	Type 304 Stainless Steel Closure Plug		POA
BEST SELLER			LIST PRICE
Z1736-4IP-KC-Y			POA

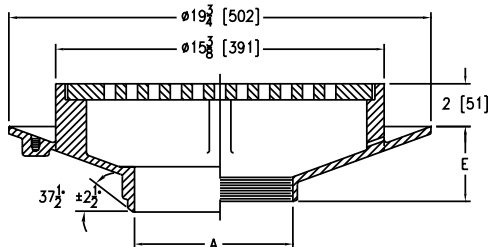
## Z1737 15" DIAMETER EXTRA HEAVY-DUTY FLOOR DRAIN



### ENGINEERING SPECIFICATION

Zurn Z1737 15" diameter extra heavy-duty floor drain features all Type 304 (CF8) stainless steel body, integral anchor flange, and non-tilt grate with plain finish.

Dimensions in inches [mm]		Approximate Weight lb [kg]	Grate Open Area sq in [cm <sup>2</sup> ]
A	E		
<b>Threaded (IP)</b>			
8IP	5-1/2 [140]	85 [39]	55 [355]



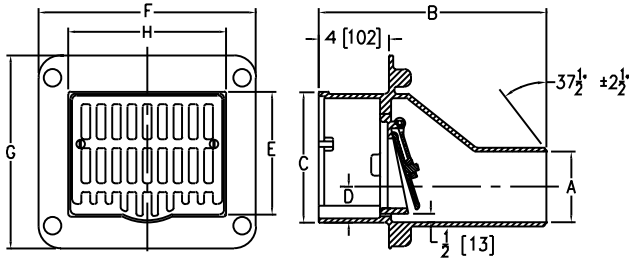
PREFIXES	DESCRIPTION	A PIPE SIZE	LIST PRICE
Z1737*	Type 304 (CF8) Stainless Steel Body	8"	POA
ZM1737	Type 316 (CF8M) Stainless Steel Body	8"	POA
OUTLETS (SPECIFY PIPE SIZE IN INCHES AND TYPE OF OUTLET)			
OUTLET TYPE	PIPE SIZE/OUTLET TYPE	E BODY HT. DIM.	ADD
IP	Threaded	8IP	5-1/2" POA
SUFFIXES			ADD
-K	Seepage Holes Only		POA
-KC	Clamp Collar with Seepage Holes		POA
-TS	Top Secured with Slotted Screws		POA
-VP	Vandal-Proof Secured Top		POA

## Z1739 PIT DRAIN



### ENGINEERING SPECIFICATION

Zurn Z1739 pit drain features all Type 304 (CF8) stainless steel body with integral anchor flange, grate with plain finish, and bronze backwater valve.



PREFIXES	DESCRIPTION	A PIPE SIZE	LIST PRICE
<b>Z1739*</b>	Type 304 (CF8)	3"	POA
	Stainless Steel Body	4"	POA
<b>ZM1739</b>	Type 316 (CF8M)	3"	POA
	Stainless Steel Body	4"	POA
OUTLETS (SPECIFY PIPE SIZE IN INCHES AND TYPE OF OUTLET)			
OUTLET TYPE	PIPE SIZE/OUTLET TYPE		ADD
<b>BW</b>	Butt-weld (Specify Schedule 10 or 40)	3BW, 4BW	POA
SUFFIXES			
<b>-VP</b>	Vandal-Proof Secured Top		POA
BEST SELLER			LIST PRICE
<b>Z1739-3BW</b>			POA

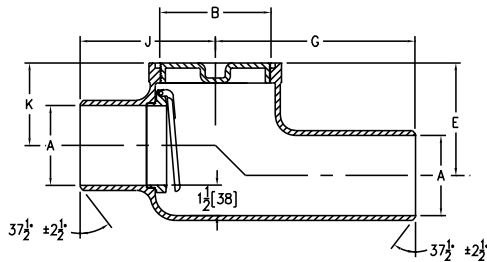
Dimensions in inches [mm]								Approximate Weight lb [kg]	Grate Open Area sq in [cm <sup>2</sup> ]
A	B	C	D	E	F	G	H		
<b>Butt-Weld (BW) - Specify Schedule 10 or 40</b>									
3BW	13 [330]	7-5/8 [194]	1-1/2 [38]	6-7/8 [175]	12-3/4 [324]	11 [279]	9-1/4 [235]	50 [23]	20 [129]
4BW			2 [51]						

## Z1740 BACKWATER VALVE



### ENGINEERING SPECIFICATION

Zurn Z1740 backwater valve features Type 304 (CF8) stainless steel body with bronze backwater valve and bronze threaded cover.



PREFIXES	DESCRIPTION	A PIPE SIZE	LIST PRICE
<b>Z1740*</b>	Type 304 (CF8) Stainless Steel Body	4"	POA
<b>ZM1740</b>	Type 316 (CF8M) Stainless Steel Body	4"	POA
OUTLETS (SPECIFY PIPE SIZE IN INCHES AND TYPE OF OUTLET)			
OUTLET TYPE	PIPE SIZE/OUTLET TYPE		ADD
<b>BW</b>	Butt-weld (Specify Schedule 10 or 40)	4BW	POA
SUFFIXES			
<b>-SP</b>	Stainless Steel Threaded Cover		POA
<b>-SV</b>	Stainless Steel Backwater Valve		POA

Dimensions in inches [mm]						Approximate Weight lb [kg]
A	B	E	G	J	K	
<b>Butt-Weld (BW) - Specify Schedule 10 or 40</b>						
4BW	5 [127]	5-5/8 [143]	8-1/2 [216]	6-3/4 [171]	4-1/8 [105]	40 [18]

\*Regularly furnished unless otherwise specified.

Items designated as Best Sellers are most specified and are generally in stock for shipment.

⌚ This symbol denotes a product that is engineered to reduce installation and rework time.

For additional product information, please visit [www.zurn.com](http://www.zurn.com)

Patent [zurn.com/patents](http://zurn.com/patents)

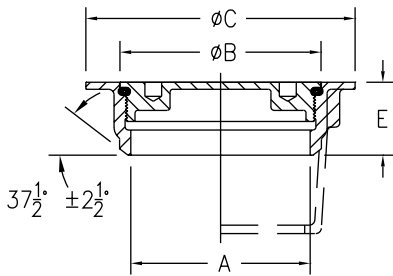
# Z1745 FLOOR CLEANOUT WITH O-RING SEAL PLUG



## ENGINEERING SPECIFICATION

Zurn Z1745 floor cleanout features all Type 304 (CF8) stainless steel body and plug with O-ring seal. Plug is scoriated with satin finish. Spanner wrench provided for each plug size.

Dimensions in inches [mm]				Approximate Weight lb [kg]
A	B	C	E	
<b>Butt-Weld (BW) - Specify Schedule 10 or 40</b>				
2BW	2-3/4 [70]	4 [102]	1-5/8 [41]	6 [3]
3BW	3-1/2 [89]	4-7/8 [124]		
4BW	4-1/2 [114]	6 [152]		
6BW	7-7/8 [200]	9-3/8 [238]	2-1/2 [64]	10 [5]
8BW	9-7/8 [251]	11 [279]		
<b>Inside Caulk (IC)</b>				
2IC	2-3/4 [70]	4 [102]	3-3/8 [86]	6 [3]
3IC	3-1/2 [89]	4-7/8 [124]		
4IC	4-1/2 [114]	6 [152]		
6IC	7-7/8 [200]	9-3/8 [238]		



PREFIXES	DESCRIPTION	A PIPE SIZE	LIST PRICE	
<b>Z1745*</b>	Type 304 (CF8) Stainless Steel Body	2"	POA	
		3"	POA	
		4"	POA	
		6"	POA	
		8"	POA	
<b>ZM1745</b>	Type 316 (CF8M) Stainless Steel Body	2"	POA	
		3"	POA	
		4"	POA	
		6"	POA	
		8"	POA	
<b>OUTLETS (SPECIFY PIPE SIZE IN INCHES AND TYPE OF OUTLET)</b>				
<b>OUTLET TYPE</b>	<b>PIPE SIZE/OUTLET TYPE</b>	<b>E BODY HT. DIM.</b>	<b>ADD</b>	
<b>BW</b>	Butt-weld (Specify Schedule 10 or 40)	2BW, 3BW, 4BW, 6BW	1-5/8"	POA
		8BW	2-1/2"	POA
<b>IC</b>	Inside Caulk	2IC, 3IC, 4IC, 6IC	3-3/8"	POA
<b>SUFFIXES</b>				
<b>-SW</b>	Bronze Spanner Wrench		POA	
<b>BEST SELLERS</b>			<b>LIST PRICE</b>	
Z1745-2IC			POA	
Z1745-3IC			POA	
Z1745-4IC			POA	

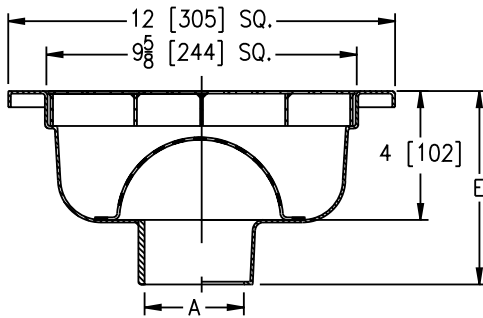
# Z1749 12" X 12" SANI-FLOR RECEPTOR WITH 4" SUMP DEPTH



## ENGINEERING SPECIFICATION

Zurn Z1749 12" x 12" x 4" light-duty Sani-Flor receptor features deep, 16 gage, all Type 304 (CF8) stainless steel, non-tilt, loose set, full grate with 1/2" square openings, and anti-splash stainless steel interior dome strainer.

Dimensions in inches [mm]		Approximate Weight lb [kg]	Grate Open Area sq in [cm <sup>2</sup> ]
A	E		
<b>No-Hub (NH)</b>			
2NH, 3NH, 4NH	6-1/16 [154]	15 [7]	23 [148]
<b>Neo-Loc (NL)</b>			
2NL, 3NL, 4NL	5-13/16 [148]	15 [7]	23 [148]



PREFIXES	DESCRIPTION	A PIPE SIZE	LIST PRICE
<b>Z1749*</b>	Type 304 (CF8) Stainless Steel Body	2"	POA
		3"	POA
		4"	POA
<b>ZM1749</b>	Type 316 (CF8M) Stainless Steel Body	2"	POA
		3"	POA
		4"	POA

OUTLETS (SPECIFY PIPE SIZE IN INCHES AND TYPE OF OUTLET)			
OUTLET TYPE	PIPE SIZE/OUTLET TYPE	E BODY HT. DIM.	ADD
<b>NH</b>	No-Hub	2NH, 3NH, 4NH	6-1/16" POA
<b>NL</b>	Neo-Loc	2NL, 3NL, 4NL	5-13/16" POA

SUFFIXES			ADD
<b>-DX</b>	Dex-O-Tex Flange		POA
<b>-HD</b>	Extra-Heavy-Duty Top Frame and Grate		POA
<b>-HP</b>	Heel-Proof Grate		POA
<b>-K</b>	Anchor Flange (May not be used with -P)		POA
<b>-KC</b>	Anchor Flange with Seepage Holes and Clamp Collar (May not be used with -P)		POA
<b>-P</b>	1/2" Trap Primer Connection (May not be used with -K or -KC)		POA
<b>-SG</b>	Solid Gasketed Cover		POA
<b>-TC</b>	Neo-Loc Test Cap Gasket (2" thru 4" NL Bottom Outlet Only)		POA
<b>-VP</b>	Vandal-Proof Secured Top		POA
<b>-Y</b>	Sediment Bucket		POA
<b>-YS</b>	Suspended Sediment Bucket		POA
<b>-2</b>	1/2 Grate		POA
<b>-3</b>	3/4 Grate		POA
<b>-4</b>	Full Grate with 3" Square Opening		POA
<b>-5</b>	Grate with 4" Dia. X 3-3/4" High Funnel		POA
<b>-8</b>	Grate with 8-3/8" x 3-5/8 x 3-3/4" High Oval Funnel		POA
<b>-15</b>	Solid Cover		POA
<b>-16</b>	1/2 Solid Cover		POA
<b>-19</b>	Full Hinged Grate		POA
<b>-20</b>	Full Hinged Cover		POA

### DUCT

<b>-1</b>	Less Grate	POA
-----------	------------	-----

### BEST SELLERS

	LIST PRICE
Z1749-3NH	POA
Z1749-3NL-2	POA
Z1749-4NH	POA
Z1749-4NH-HD	POA

\*Regularly furnished unless otherwise specified.

Items designated as Best Sellers are most specified and are generally in stock for shipment.

⌚ This symbol denotes a product that is engineered to reduce installation and rework time.

For additional product information, please visit [www.zurn.com](http://www.zurn.com)

Patent [zurn.com/patents](http://zurn.com/patents)



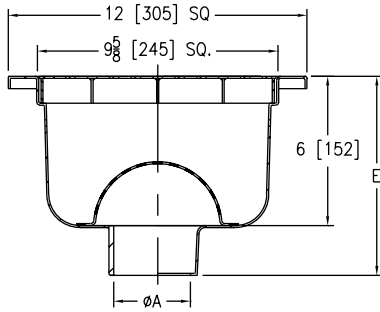
# Z1750 12" X 12" SANI-FLOR RECEPTOR WITH 6" SUMP DEPTH



## ENGINEERING SPECIFICATION

Zurn Z1750 12" x 12" x 6" deep light-duty Sani-Flor receptor features 16 gage, all Type 304 (CF8) stainless steel, non-tilt, loose set, full grate with 1/2" square openings, and anti-splash stainless steel interior dome strainer.

Dimensions in inches [mm]		Approximate Weight lb [kg]	Grate Open Area sq in [cm <sup>2</sup> ]
A	E		
<b>Inside Caulk (IC)</b>			
3IC, 4IC	8-9/16 [217]	15 [7]	23 [148]
<b>No-Hub (NH)</b>			
2NH, 3NH, 4NH	8-1/16 [205]	15 [7]	23 [148]
6NH		17 [8]	23 [148]
<b>Neo-Loc (NL)</b>			
3NL, 4NL	7-13/16 [198]	15 [7]	23 [148]



PREFIXES	DESCRIPTION	A PIPE SIZE	LIST PRICE
<b>Z1750*</b>	Type 304 (CF8) Stainless Steel Body	2"	POA
		3"	POA
		4"	POA
		6"	POA
<b>ZM1750</b>	Type 316 (CF8M) Stainless Steel Body	2"	POA
		3"	POA
		4"	POA
		6"	POA

OUTLETS (SPECIFY PIPE SIZE IN INCHES AND TYPE OF OUTLET)			
OUTLET TYPE	PIPE SIZE/OUTLET TYPE	E BODY HT. DIM.	ADD
<b>IC</b>	Inside Caulk	3IC, 4IC	8-9/16"
<b>NH</b>	No-Hub	2NH, 3NH, 4NH, 6NH	8-1/16"
<b>NL</b>	Neo-Loc	3NL, 4NL	7-13/16"
<b>SUFFIXES</b>			<b>ADD</b>
<b>-DX</b>	Dex-O-Tex Flange		POA
<b>-HD</b>	Extra-Heavy-Duty Grate		POA
<b>-HP</b>	Heel-Proof Grate		POA
<b>-K</b>	Anchor Flange		POA
<b>-KC</b>	Anchor Flange with Seepage Holes and Clamp Collar		POA
<b>-P</b>	1/2" Trap Primer Connection		POA
<b>-SG</b>	Solid Gasketed Cover		POA
<b>-TC</b>	Neo-Loc Test Cap Gasket (3", 4" NL Bottom Outlet Only)		POA
<b>-VP</b>	Vandal-Proof Secured Top		POA
<b>-Y</b>	Sediment Bucket		POA
<b>-YS</b>	Suspended Sediment Bucket		POA
<b>-2</b>	1/2 Grate		POA
<b>-3</b>	3/4 Grate		POA
<b>-4</b>	Full Grate with 3" Square Opening		POA
<b>-5</b>	Grate with 4" Dia. X 3-3/4" High Funnel		POA
<b>-8</b>	Grate with 8-3/8" x 3-5/8 x 3-3/4" High Oval Funnel		POA
<b>-15</b>	Solid Cover		POA
<b>-16</b>	1/2 Solid Cover		POA
<b>-19</b>	Full Hinged Grate		POA
<b>-20</b>	Full Hinged Solid Cover		POA

DEDUCT		
<b>-1</b>	Less Grate	POA

BEST SELLERS		LIST PRICE
Z1750-2NH		POA
Z1750-3NH		POA
Z1750-3NH-2-Y		POA
Z1750-3NL		POA
Z1750-3NL-3-KC		POA
Z1750-4NH		POA
Z1750-4NH-2		POA
Z1750-4NH-2-KC		POA

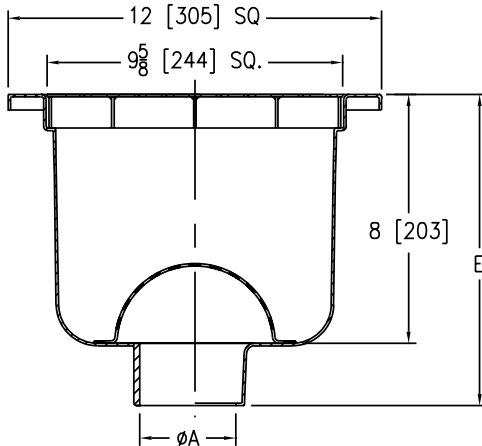
# Z1751 12" X 12" SANI-FLOOR RECEPTOR WITH 8" SUMP DEPTH



## ENGINEERING SPECIFICATION

Zurn Z1751 12" x 12" x 8" deep light-duty Sani-Floor receptor features 16 gage, all Type 304 (CF8) stainless steel, non-tilt, loose set, full grate with 1/2" square openings, and anti-splash stainless steel interior dome strainer.

Dimensions in inches [mm]		Approximate Weight lb [kg]	Grate Open Area sq in [cm <sup>2</sup> ]
A	E		
<b>Inside Caulk (IC)</b>			
3IC, 4IC	10-9/16 [268]	19 [9]	23 [148]
<b>No-Hub (NH)</b>			
2NH, 3NH, 4NH	10-1/16 [256]	19 [9]	23 [148]
6NH		21 [10]	23 [148]
<b>Neo-Loc (NL)</b>			
2NL, 3NL, 4NL	9-13/16 [249]	19 [9]	23 [148]



PREFIXES	DESCRIPTION	A PIPE SIZE	LIST PRICE
<b>Z1751*</b>	Type 304 (CF8) Stainless Steel Body	2"	POA
		3"	POA
		4"	POA
		6"	POA
<b>ZM1751</b>	Type 316 (CF8M) Stainless Steel Body	2"	POA
		3"	POA
		4"	POA
		6"	POA

OUTLETS (SPECIFY PIPE SIZE IN INCHES AND TYPE OF OUTLET)			
OUTLET TYPE	PIPE SIZE/OUTLET TYPE	E BODY HT. DIM.	ADD
<b>IC</b>	Inside Caulk 3IC, 4IC	10-9/16"	POA
<b>NH</b>	No-Hub 2NH, 3NH, 4NH, 6NH	10-1/16"	POA
<b>NL</b>	Neo-Loc 2NL, 3NL, 4NL	9-13/16"	POA

SUFFIXES	ADD
<b>-DX</b>	Dex-O-Tex Flange POA
<b>-HD</b>	Extra-Heavy-Duty Grate POA
<b>-HP</b>	Heel-Proof Grate POA
<b>-K</b>	Anchor Flange POA
<b>-KC</b>	Anchor Flange with Seepage Holes and Clamp Collar POA
<b>-P</b>	1/2" Trap Primer Connection POA
<b>-SG</b>	Solid Gasketed Cover POA
<b>-TC</b>	Neo-Loc Test Cap Gasket (2", 3", 4" NL Bottom Outlet Only) POA
<b>-VP</b>	Vandal-Proof Secured Top POA
<b>-Y</b>	Sediment Bucket POA
<b>-YS</b>	Suspended Sediment Bucket POA
<b>-2</b>	1/2 Grate POA
<b>-3</b>	3/4 Grate POA
<b>-4</b>	Full Grate with 3" Square Opening POA
<b>-5</b>	Grate with 4" Dia. X 3-3/4" High Funnel POA
<b>-8</b>	Grate with 8-3/8" x 3-5/8 x 3-3/4" High Oval Funnel POA
<b>-15</b>	Solid Cover POA
<b>-16</b>	1/2 Solid Cover POA
<b>-19</b>	Full Hinged Grate POA
<b>-20</b>	Full Hinged Solid Cover POA

DEDUCT	
<b>-1</b>	Less Grate POA

BEST SELLERS	LIST PRICE
Z1751-2NH	POA
Z1751-2NH-2	POA
Z1751-3NH-2	POA
Z1751-4NH	POA
Z1751-4NH-2	POA

\*Regularly furnished unless otherwise specified.

Items designated as Best Sellers are most specified and are generally in stock for shipment.

⌚ This symbol denotes a product that is engineered to reduce installation and rework time.

For additional product information, please visit [www.zurn.com](http://www.zurn.com)

Patent [zurn.com/patents](http://zurn.com/patents)

INTRO  
ROOF DRAINS  
FLOOR DRAINS  
I, P, BW VALVES  
INTERCEPTORS  
CARRIERS  
HYDRANTS  
CLEANOUTS  
WHA  
SS DRAINS  
SANI-FLOOR  
TECH INFO

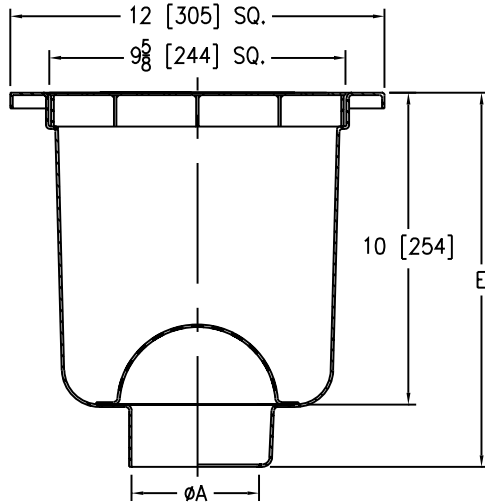
# Z1752 12" X 12" SANI-FLOR RECEPTOR WITH 10" SUMP DEPTH



## ENGINEERING SPECIFICATION

Zurn Z1752 12" x 12" x 10" deep light-duty Sani-Flor receptor features 16 gage, all Type 304 (CF8) stainless steel, non-tilt, loose set, full grate with 1/2" square openings, and anti-splash stainless steel interior dome strainer.

Dimensions in inches [mm]		Approximate Weight lb [kg]	Grate Open Area sq in [cm <sup>2</sup> ]
A	E		
<b>No-Hub (NH)</b>			
2NH, 3NH, 4NH	12-1/16 [306]	22 [10]	23 [148]
6NH		23 [10]	23 [148]
<b>Neo-Loc (NL)</b>			
2NL, 3NL, 4NL	11-13/16 [300]	22 [10]	23 [148]



PREFIXES	DESCRIPTION	A PIPE SIZE	LIST PRICE
<b>Z1752*</b>	Type 304 (CF8) Stainless Steel Body	2"	POA
		3"	POA
		4"	POA
		6"	POA
<b>ZM1752</b>	Type 316 (CF8M) Stainless Steel Body	2"	POA
		3"	POA
		4"	POA
		6"	POA

### OUTLETS (SPECIFY PIPE SIZE IN INCHES AND TYPE OF OUTLET)

OUTLET TYPE	PIPE SIZE/OUTLET TYPE	E BODY HT. DIM.	ADD	
NH	No-Hub	2NH, 3NH, 4NH, 6NH	12-1/16"	POA
NL	Neo-Loc	2NL, 3NL, 4NL	11-13/16"	POA

### SUFFIXES

		ADD
-DX	Dex-O-Tex Flange	POA
-HD	Extra-Heavy-Duty Grate	POA
-HP	Heel-Proof Grate	POA
-K	Anchor Flange	POA
-KC	Anchor Flange with Seepage Holes and Clamp Collar	POA
-P	1/2" Trap Primer Connection	POA
-SG	Solid Gasketed Cover	POA
Ⓢ -TC	Neo-Loc Test Cap Gasket (2", 3", 4" NL Bottom Outlet Only)	POA
-VP	Vandal-Proof Secured Top	POA
-Y	Sediment Bucket	POA
-YS	Suspended Sediment Bucket	POA
-2	1/2 Grate	POA
-3	3/4 Grate	POA
-4	Full Grate with 3" Square Opening	POA
-5	Grate with 4" Dia. X 3-3/4" High Funnel	POA
-8	Grate with 8-3/8" x 3-5/8 x 3-3/4" High Oval Funnel	POA
-15	Solid Cover	POA
-16	1/2 Solid Cover	POA
-19	Full Hinged Grate	POA
-20	Full Hinged Solid Cover	POA

### DEDUCT

-1	Less Grate	POA
----	------------	-----

### BEST SELLERS

	LIST PRICE
Z1752-2NH-2-KC-YS	POA
Z1752-3NH	POA
Z1752-3NH-2-KC	POA
Z1752-4NH	POA
Z1752-4NL	POA
Z1752-4NL-2-HD	POA

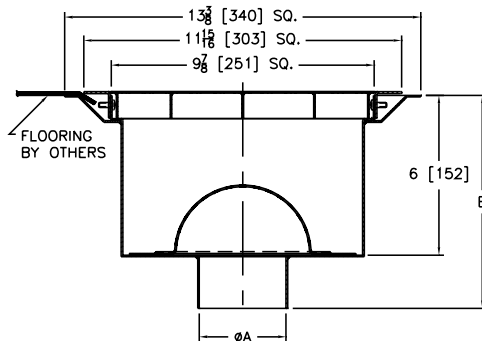
## Z1755 13-3/8" SQUARE SANI-FLOR RECEPTOR 6" SUMP WITH ADJUSTABLE CLAMP FRAME



### ENGINEERING SPECIFICATION

Zurn Z1755 13-3/8" square x 6" deep light-duty Sani-Flor receptor features 16 gage, all Type 304 (CF8) fabricated stainless steel, integral flooring clamp frame, and non-tilt loose set, full grate with interior dome strainer for unlevel floor installations.

Dimensions in inches [mm]		Approximate Weight lb [kg]	Grate Open Area sq in [cm <sup>2</sup> ]
A	E		
No-Hub (NH)			
2NH, 3NH, 4NH	8 [203]	10 [5]	25 [161]



PREFIXES	DESCRIPTION	A PIPE SIZE	LIST PRICE
Z1755*	Type 304 (CF8) Stainless Steel Body	2", 3", 4"	POA
ZM1755	Type 316 (CF8M) Stainless Steel Body	2", 3", 4"	POA

#### OUTLETS (SPECIFY PIPE SIZE IN INCHES AND TYPE OF OUTLET)

OUTLET TYPE	PIPE SIZE/OUTLET TYPE	E BODY HT. DIM.	ADD	
NH	No-Hub	2NH, 3NH, 4NH	8"	POA

#### SUFFIXES

SUFFIXES	DESCRIPTION	ADD
-P	1/2" Trap Primer Connection	POA
-2	1/2 Grate	POA
-3	3/4 Grate	POA

#### BEST SELLERS

LIST PRICE	
Z1755-3NH	POA
Z1755-3NH-2	POA
Z1755-4NH-2	POA

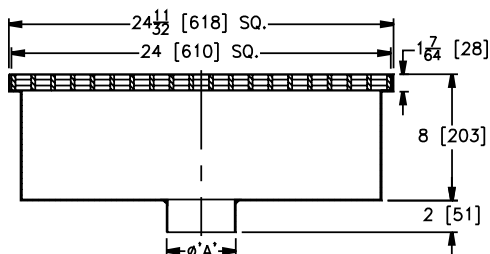
## Z1761 24-5/16" SQUARE KETTLE DRAIN WITH 8" SUMP DEPTH



### ENGINEERING SPECIFICATION

Zurn ZS1761 24-5/16" x 24-5/16" x 8" deep light-duty square kettle drain features 14 gage, all Type 304 (CF8) stainless steel, and loose set full grate.

Dimensions in inches [mm]		Approximate Weight lb [kg]	Grate Open Area sq in [cm <sup>2</sup> ]
A Pipe Size	E		
No-Hub (NH)			
4NH, 6NH, 8NH	8 [203]	72 [33]	425 [2742]



PREFIXES	DESCRIPTION	A PIPE SIZE	LIST PRICE
Z1761	A.R.E. Coated Fabricated Steel Body and Type 304 (CF8) Stainless Steel Grate	4", 6", 8"	POA

ZS1761*	Type 304 (CF8) Stainless Steel Body and Grate	4", 6", 8"	POA
---------	---	------------	-----

ZM1761	Type 316 (CF8M) Stainless Steel Body and Grate	4", 6", 8"	POA
--------	--	------------	-----

#### OUTLETS (SPECIFY PIPE SIZE IN INCHES AND TYPE OF OUTLET)

OUTLET TYPE	PIPE SIZE/OUTLET TYPE	ADD	
NH	No-Hub	4NH, 6NH, 8NH	POA

#### SUFFIXES

-PB	Perforated Sediment Bucket	POA
-----	----------------------------	-----

\*Regularly furnished unless otherwise specified.

Items designated as Best Sellers are most specified and are generally in stock for shipment.

⌚ This symbol denotes a product that is engineered to reduce installation and rework time.

For additional product information, please visit [www.zurn.com](http://www.zurn.com)

Patent [zurn.com/patents](http://zurn.com/patents)

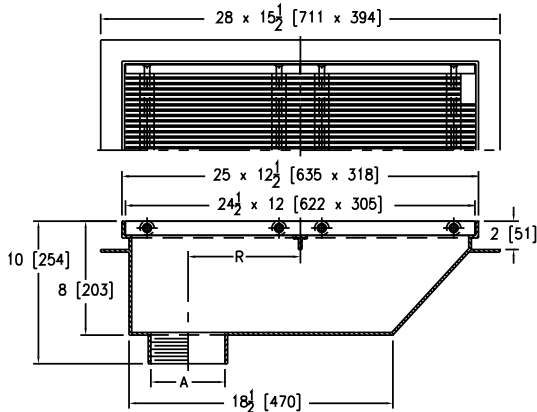
## Z1762 25" X 15-1/2" KETTLE DRAIN



### ENGINEERING SPECIFICATION

Zurn ZS1762 25" x 15-1/2" kettle drain features Type 304 (CF8) stainless steel fabricated body and stainless steel two-piece grate with 1/8" bars on 3/8" center. One grate section comes with lift hole.

Dimensions in inches [mm]		Approximate Weight lb [kg]	Grate Open Area sq in [cm <sup>2</sup> ]
A	R		
No-Hub (NH)			
3NH, 4NH	7-7/8 [200]	71 [32]	149 [961]
6NH	6-7/8 [175]		



PREFIXES	DESCRIPTION	A PIPE SIZE	LIST PRICE
Z1762	Acid Resistant Epoxy Coated Steel Body with Stainless Steel Top	3", 4"	POA
		6"	POA
ZS1762*	All Type 304 Fabricated Stainless Steel Body with Stainless Steel	3", 4"	POA
		6"	POA
OUTLETS (SPECIFY PIPE SIZE IN INCHES AND TYPE OF OUTLET)			
OUTLET TYPE	PIPE SIZE/OUTLET TYPE		ADD
NH	No-Hub	3NH, 4NH, 6NH	POA
SUFFIXES			
-SB	Solids Retaining Baffle		POA

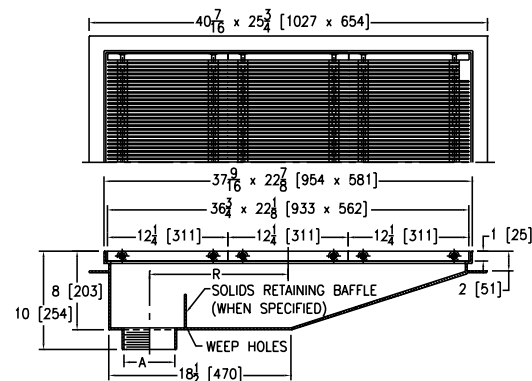
## Z1763 37-9/16" X 22-7/8" KETTLE DRAIN



### ENGINEERING SPECIFICATION

Zurn ZS1763 37-9/16" x 22-7/8" kettle drain features Type 304 (CF8) stainless steel fabricated body and stainless steel three-piece grate with 1/8" bars on 3/8" center. One grate section comes with lift hole.

Dimensions in inches [mm]		Approximate Weight lb [kg]	Grate Open Area sq in [cm <sup>2</sup> ]
A	R		
No-Hub (NH)			
3NH, 4NH	14 [356]	125 [57]	420 [2709]
6NH	13 [330]		
8NH	12 [305]		
10NH	11 [279]		
12NH	10 [254]		



PREFIXES	DESCRIPTION	A PIPE SIZE	LIST PRICE
Z1763	Acid Resistant Epoxy Coated Steel Body with Stainless Steel Top	3", 4"	POA
		6"	POA
		8"	POA
		10"	POA
		12"	POA
ZS1763*	All Type 304 Fabricated Stainless Steel Body with Stainless Steel	3", 4"	POA
		6"	POA
		8"	POA
		10"	POA
		12"	POA
OUTLETS (SPECIFY PIPE SIZE IN INCHES AND TYPE OF OUTLET)			
OUTLET TYPE	PIPE SIZE/OUTLET TYPE		ADD
NH	No-Hub	3NH, 4NH, 6NH, 8NH, 10NH, 12NH	POA
SUFFIXES			
-SB	Solids Retaining Baffle		POA
BEST SELLER			LIST PRICE
ZS1763-4NH			POA

# SANI-FLOR RECEPTORS

SANI-FLOR RECEPTORS – MATERIAL SELECTION	310
SANI-FLOR RECEPTORS – OPTIONS AND VARIATIONS	310
<b>Z1900</b> 12" X 12" A.R.E. SANI-FLOR RECEPTOR WITH 6" SUMP DEPTH	311
⌚ <b>Z1900-RL</b> 12" X 12" X 6" REPLACEMENT FLOOR SINK LINER	312
<b>Z1901</b> 12" X 12" A.R.E. SANI-FLOR RECEPTOR WITH 8" SUMP DEPTH	313
⌚ <b>Z1901-RL</b> 12" X 12" X 8" REPLACEMENT FLOOR SINK LINER	314
<b>Z1902</b> 12" X 12" A.R.E. SANI-FLOR RECEPTOR WITH 10" SUMP DEPTH	315
⌚ <b>Z1902-RL</b> 12" X 12" X 10" REPLACEMENT FLOOR SINK LINER	316
⌚ <b>Z1903</b> SANI-FLOR RECEPTOR INSTALLATION STABILIZER	316
<b>Z1910</b> 8" X 8" A.R.E. SANI-FLOR RECEPTOR WITH 6" SUMP DEPTH	317
⌚ <b>Z1910-RL</b> 8" X 8" X 6" REPLACEMENT FLOOR SINK LINER	318
<b>Z1920</b> 16" X 16" A.R.C. SANI-FLOR RECEPTOR WITH 7" SUMP DEPTH	319
<b>Z1926</b> 16" X 16" A.R.C. SANI-FLOR RECEPTOR WITH 12" SUMP DEPTH	320
<b>Z1930</b> 8" X 4" A.R.C. SANI-FLOR RECEPTOR WITH 4" SUMP DEPTH	321
<b>Z1940</b> 12" X 6" A.R.C. SANI-FLOR RECEPTOR WITH 8" SUMP DEPTH	322
<b>Z1950</b> 12" DIAMETER A.R.E. SANI-FLOR RECEPTOR WITH 8" SUMP DEPTH	323
<b>Z1960</b> 8" DIAMETER A.R.E. SANI-FLOR RECEPTOR WITH 6" SUMP DEPTH	324
<b>Z1970</b> 9" DIAMETER SHALLOW A.R.C. SANI-FLOR RECEPTOR WITH 3" SUMP DEPTH	325
<b>Z1982</b> 12" X 12" STAINLESS STEEL SANI-FLOR CAN WASH DRAIN WITH 8" SUMP DEPTH	326
<b>Z1995</b> 24" X 16" A.R.C. SANI-FLOR RECEPTOR WITH 17" SUMP DEPTH	326

## SANI-FLOR RECEPTORS – MATERIAL SELECTION

- A.R.C.** Acid Resisting Epoxy Coating is a baked-on powder coating which produces a smooth, hard, high gloss finish. This epoxy based coating offers high impact resistance and excellent life expectancy in all drainage applications.
- A.R.E.** Acid Resisting Porcelain Enamel is a substantially vitreous inorganic coating bonded to metal by fusion at a high temperature above 800°F. This coating offers excellent acid, abrasion, and wear resistance. The coating is extremely hard and is the ultimate for sanitation in drainage application.

## SANI-FLOR RECEPTORS – OPTIONS AND VARIATIONS

Zurn Sani-Flor Receptor options are specified as a PREFIX and/or SUFFIX letter or number added to the series designation. Each floor sink in the catalog is listed with its individual Prefix/Suffix variation.

PREFIXES	
<b>Z</b>	Cast iron body with white acid resisting porcelain enamel (A.R.E.) interior and top.
<b>ZN</b>	Cast iron body with white acid resisting porcelain enamel (A.R.E.) interior and nickel bronze top.
SUFFIXES	
<b>-C</b>	Clamp Collar
<b>-DX</b>	Dex-O-Tex Flange
<b>-HD</b>	Stainless Steel Frame with Extra-Heavy-Duty Stainless Steel Grate - Specify in areas where working load exceeds 2000 pounds or where extreme chemical resistance properties are required.
<b>-HP</b>	Heel-Proof Grate
<b>-K</b>	Anchor Flange
<b>-KC</b>	Anchor Flange with Seepage Holes and Clamp Collar
<b>-LD</b>	Less Internal Bottom Dome Strainer
<b>-LS</b>	Less Secondary Strainer
<b>-P</b>	1/2" Threaded Trap Primer Connection (See Z1023)
<b>-S</b>	Secondary Strainer
<b>-T</b>	Square Nickel Bronze Top
<b>-TC</b>	Neo-Loc Test Cap Gasket 2"-4" NL Bottom Outlet Only
<b>-VPS</b>	Vandal-Proof Strainer
<b>-WB</b>	Water Supply Control Box
<b>-1</b>	Less Grate - Receives multiple indirect wastes from either condensate lines, air conditioners or other indirect drainage equipment specifically located in non-traffic areas.
<b>-2</b>	Half Grate - Receives indirect waste as with Suffix -1, but with 1/2 grate opening to easily accept waste from a single direction while providing a finished floor drain top on the opposite side.
<b>-3</b>	Three-Quarter Grate - Receives indirect waste as with Suffix -1, but with 3/4 grate and 1/4 opening to easily accept waste from a single source.
<b>-4</b>	Full Grate with Center Opening - Receives indirect waste as with Suffix -1, but with square center opening to accept waste from multiple directions.
<b>-5</b>	Grate with 4" Diameter x 3-3/4" High Funnel
<b>-6</b>	Grate with 6" Diameter x 6" High Funnel - Receives indirect waste from single pipe using round funnel which is centrally located on grate. Prevents splashing of waste around entire receptor. Can be relocated at job site to meet project requirements.
<b>-7</b>	Grate with 6-3/4" x 3" x 1" High Oval Funnel
<b>-8</b>	Grate with 8-7/8" x 3-5/8" x 3-3/4" High Oval Funnel - Receives indirect waste from a series of pipe discharges using oval funnel which is centrally located on grate. Can be relocated at job site to meet project requirements.
<b>-9</b>	Angle Frame and Grate - Used in food handling facilities incorporating a two-fold purpose. An angle drain provides a sanitary floor drain in an open service area where open half of grate is hidden inside cabinetry to receive an indirect waste discharge. Two-piece construction further enhances the ultimate in sanitation standards.
<b>-11</b>	Vandal-Proof Secured Grate - Prevents removal of grate by unauthorized individuals.
<b>-12</b>	Depressed Aluminum Grate - Specified for areas in restaurants, food markets, taverns, and many non-traffic areas. Grate recess accumulates food particles rather than let them fall into receptor.
<b>-15</b>	Solid Loose Set Cover - Specified when receptor is to be inactive a majority of the time.
<b>-16</b>	Half Solid Loose Set Cover - Same as Suffix -15, but with 1/2 cover open to accept indirect waste.

SUFFIXES	
<b>-17</b>	Three-Quarter Solid Loose Set Cover - Same as Suffix -16, but with 3/4 cover inactive.
<b>-18</b>	Solid Loose Set Cover with Square Center Opening - Same as Suffix -16, but with center opening and balance of cover inactive.
<b>-19</b>	Full Hinged Grate - Specified in light traffic areas where grate removal is prohibited for any length of time.
<b>-23</b>	Aluminum Sediment Bucket - Specified when interception and retention of solids is necessary. Used in food preparation areas.
<b>-25</b>	White Acid Resisting Sediment Bucket - Same as Suffix -23, but with acid resisting finish.
<b>-31</b>	Stainless Mesh Liner for Sediment Bucket - Specified when retention of fine particles is required. Provided with screen having 331 holes per square inch.
<b>-32</b>	Aluminum Dome Strainer
<b>-33</b>	White Acid Resisting Anti-Splash Dome Strainer - Use in areas where harsh chemicals or substances enter receptor.
<b>-34</b>	Nickel Bronze Anti-Splash Dome Strainer



-1 Less Grate



-2 Half Grate



-3 Three-Quarter Grate



-4 Full Grate with Center Opening



-5, -6 Grate with Round Funnel



-7, -8 Grate with Oval Funnel



-9 Angle Frame and Grate



-12 Depressed Aluminum Grate

# Z1900 12" X 12" A.R.E. SANI-FLOR RECEPTOR WITH 6" SUMP DEPTH

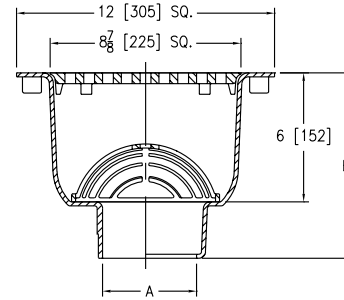


## ENGINEERING SPECIFICATION

Zurn Z1900 Sani-Flor receptor, 12" x 12" x 6" features deep cast iron body, square light-duty grate with 1/2" slotted openings, and white acid resisting porcelain enamel interior and top - complete with white ABS anti-splash interior bottom dome strainer.

## NOTE

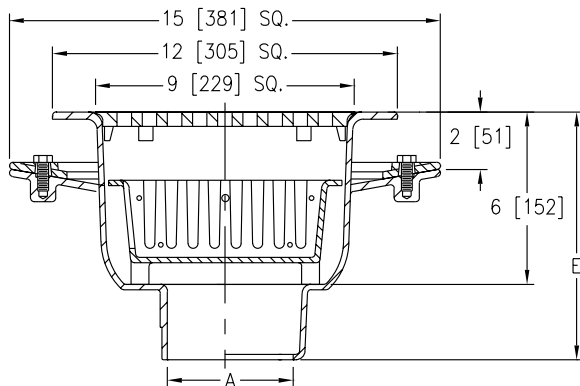
\*Add 1/2" to 12" dimension when specifying ZN1900 or ZS1900.



Dimensions in inches [mm]				Approximate Weight lb [kg]	Grate Open Area sq in [cm <sup>2</sup> ]
A Pipe Size/Outlet Type	E Body Height Dimensions		Z		
<b>Inside Caulk (IC)</b>					
3IC, 4IC	8-5/8 [219]	9-1/8 [232]		32 [15]	31 [200]
<b>No-Hub (NH)</b>					
2NH, 3NH, 4NH	8-5/8 [219]	9-1/8 [232]		32 [15]	31 [200]
<b>Neo-Loc (NL)</b>					
2NL, 3NL, 4NL	8 [203]	8-1/2 [216]		32 [15]	31 [200]

PREFIXES	DESCRIPTION	A PIPE SIZE	Z (A.R.E.)	ZN (N.B.)	ZS
Z1900*	Cast Iron Body with A.R.E. Interior and Top	2", 3", 4"	2,911.00	-	-
ZN1900†	Cast Iron Body with White A.R.E. Interior and Top, 12-1/2" Square N.B. Frame and Full Grate with 1/2" Square Openings	2", 3", 4"	-	3,940.00	-
ZS1900†	Cast Iron Body with White A.R.E. Interior and Top, 12-1/2" Square Stainless Steel Frame and Full Grate with 1/2" Openings	2", 3", 4"	-	-	5,971.00

OUTLETS (SPECIFY PIPE SIZE IN INCHES AND TYPE OF OUTLET)					
OUTLET TYPE		PIPE SIZE/OUTLET TYPE			ADD
IC	Inside Caulk	3IC, 4IC	N/C	N/C	N/C
NH	No-Hub	2NH, 3NH, 4NH	N/C	N/C	N/C
NL	Neo-Loc	2NL, 3NL, 4NL	N/C	N/C	N/C



-KC-23 Options Shown

SUFFIXES		ADD		
		Z (A.R.E.)	ZN (N.B.)	ZS
-DX	Dex-O-Tex Flange (ZN Only)	-	1,580.00	-
-HD	Stainless Steel Frame with Extra-Heavy-Duty Stainless Steel Grate (ZS Only)	-	-	1,654.00
-HP	Heel-Proof Grate (ZN Only)	-	962.00	-
-K	Anchor Flange	536.00	536.00	536.00
-KC	Anchor Flange with Seepage Holes and Clamp Collar	803.00	803.00	803.00
-P	1/2" Trap Primer Connection (See Z1023)	271.00	271.00	271.00
Ⓛ -SA	Stabilizer Assembly (See Z1903)	287.00	287.00	287.00
Ⓛ -TC	Neo-Loc Test Cap Gasket (2", 3", 4" NL Bottom Outlet Only)	37.00	37.00	37.00
-VPS	Vandal-Proof Strainer (NH outlet only)	433.00	433.00	433.00
-2	1/2 Grate	N/C	N/C	N/C
-3	3/4 Grate	N/C	N/C	N/C
-4	Full Grate with Center Opening (2" Round for Z and 3-1/32" Square for ZN or ZS)	248.00	248.00	248.00
-6	Grate with 6" Dia. x 6" High Funnel	677.00	867.00	2,147.00
-8	Grate with 8-7/8" x 3-5/8" x 3-3/4" High Oval Funnel	734.00	1,221.00	3,345.00
-11	Vandal-Proof Secured Grate (ZN and ZS Only)	-	113.00	113.00
-15	Solid Loose Set Cover (Z and ZN Only)	163.00	318.00	N/A
-19	Full Hinged Grate (ZN Only)	-	488.00	-
-23	Aluminum Bucket	440.00	440.00	440.00
-25	White A.R.C. Bucket	826.00	826.00	826.00
-31	Stainless Steel Mesh Liner for Bucket	654.00	654.00	654.00
-32	Aluminum Dome Strainer	N/C	N/C	N/C
-33	White A.R.C. Anti-Splash Bottom Dome Strainer	477.00	477.00	477.00

		DEDUCT		
		Z (A.R.E.)	ZN (N.B.)	ZS
-LD	Less Bottom Dome Strainer	(88.00)	(88.00)	(88.00)
-1	Less Grate	(318.00)	(678.00)	(1,698.00)

BEST SELLERS	LIST PRICE
Z1900-2NH-2	2,911.00
ZN1900-2NH-2	3,940.00
ZN1900-2NH-2-33	4,417.00
Z1900-2NL-2	2,911.00
Z1900-3NH-2	2,911.00
Z1900-3NH-33-KC	4,191.00
ZN1900-3NH-2-32	3,940.00
Z1900-3NL-2	2,911.00
Z1900-3NL-3	2,911.00
ZN1900-3NL	3,940.00
Z1900-4NH-2	2,911.00
ZN1900-4NL	3,940.00

\*Regularly furnished unless otherwise specified.

Items designated as Best Sellers are most specified and are generally in stock for shipment.

Ⓛ This symbol denotes a product that is engineered to reduce installation and rework time.

For additional product information, please visit [www.zurn.com](http://www.zurn.com)

Patent [zurn.com/patents](http://zurn.com/patents)

INTRO  
ROOF DRAINS  
FLOOR DRAINS  
I, P, BW VALVES  
INTERCEPTORS  
CARRIERS  
HYDRANTS  
CLEANOUTS  
WHA  
SS DRAINS  
SANI-FLOR  
TECH INFO

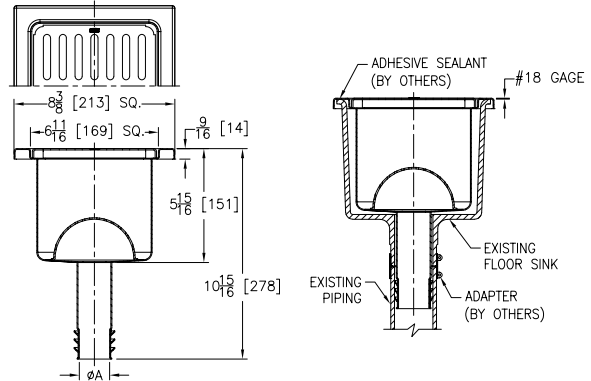


## 🕒 Z1900-RL 12" X 12" X 6" REPLACEMENT FLOOR SINK LINER



### ENGINEERING SPECIFICATION

Zurn Z1900-RL 12" x 12" x 6" deep replacement floor sink liner features 18 gage, all Type 304 (CF8) fabricated stainless steel, internal pipe gasket seal, light-duty, slotted, loose set grate, and perforated removable dome strainer.



Dimensions in inches [mm]	Approximate Weight lb [kg]	Grate Open Area sq in [cm <sup>2</sup> ]
A Pipe Size		
Gasket Seal		
2 [51], 3 [76], 4 [102]	6 [3]	21.1 [136]

PREFIXES	DESCRIPTION	A PIPE SIZE	LIST PRICE
Z1900*	All Type 304 (CF8) Fabricated Stainless Steel	2", 3" 4"	2,740.00
OUTLETS (SPECIFY PIPE SIZE IN INCHES AND TYPE OF OUTLET)			
OUTLET TYPE	PIPE SIZE/OUTLET TYPE		ADD
RL	Gasket Seal	RL2, RL3, RL4	N/C
SUFFIXES			
			ADD
-2	1/2 Grate		N/C
-3	3/4 Grate		N/C
-Y	Sediment Bucket		311.00
			DEDUCT
-1	Less Grate		(209.00)
BEST SELLERS			LIST PRICE
Z1900-RL2			2,740.00
Z1900-RL2-2			2,740.00
Z1900-RL3			2,740.00
Z1900-RL3-2			2,740.00
Z1900-RL4-2			2,740.00

# Z1901 12" X 12" A.R.E. SANI-FLOR RECEPTOR WITH 8" SUMP DEPTH

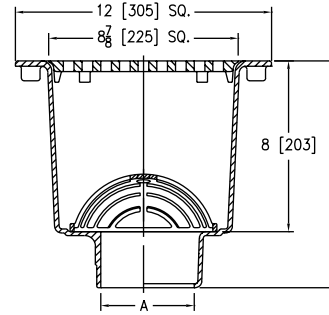


## ENGINEERING SPECIFICATION

Zurn Z1901 Sani-Flor receptor features 12" x 12" x 8" deep cast iron body, square, light-duty grate with 1/2" slotted openings, and white acid resisting porcelain enamel interior and top – complete with white ABS anti-splash interior bottom dome strainer.

## NOTE

+Add 1/2" to 12" dimension when specifying ZN1901 or ZS1901.



Dimensions in inches [mm]				
A Pipe Size/ Outlet Type	E Body Height Dimensions		Approximate Weight lb [kg]	Grate Open Area sq in [cm <sup>2</sup> ]
	Z	ZN/ZS		
<b>Inside Caulk (IC)</b>				
3IC, 4IC	10-5/8 [270]	11-1/8 [283]	34 [15]	31 [200]
<b>No-Hub (NH)</b>				
2NH, 3NH, 4NH	10-5/8 [270]	11-1/8 [283]	34 [15]	31 [200]
<b>Neo-Loc (NL)</b>				
2NL, 3NL, 4NL	10 [254]	10-1/2 [267]	34 [15]	31 [200]

PREFIXES	DESCRIPTION	A PIPE SIZE	Z (A.R.E.)	ZN (N.B.)	ZS
Z1901*	Cast Iron Body with White A.R.E. Interior and Top	2", 3", 4"	3,064.00	-	-
ZN1901†	Cast Iron Body with White A.R.E. Interior and Top, 12-1/2" Square N.B. Frame and Full Grate with 1/2" Square Openings	2", 3", 4"	-	4,091.00	-
ZS1901†	Cast Iron Body with White A.R.E. Interior and Top, 12-1/2" Square Stainless Steel Frame and Full Grate with 1/2" Square Openings	2", 3", 4"	-	-	6,118.00

OUTLETS (SPECIFY PIPE SIZE IN INCHES AND TYPE OF OUTLET)					
OUTLET TYPE		PIPE SIZE/ OUTLET TYPE			ADD
IC	Inside Caulk	3IC, 4IC	N/C	N/C	N/C
NH	No-Hub	2NH, 3NH, 4NH	N/C	N/C	N/C
NL	Neo-Loc	2NL, 3NL, 4NL	N/C	N/C	N/C

		ADD		
SUFFIXES		Z (A.R.E.)	ZN (N.B.)	ZS
-DX	Dex-O-Tex Flange (ZN Only)	-	1,580.00	-
-HD	Stainless Steel Frame with Extra-Heavy-Duty Stainless Steel Grate (ZS Only)	-	-	1,654.00
-HP	Heel-Proof Grate (ZN Only)	-	962.00	N/A
-K	Anchor Flange	536.00	536.00	536.00
-KC	Anchor Flange with Seepage Holes and Clamp Collar	803.00	803.00	803.00
-P	1/2" Trap Primer Connection (See Z1023)	271.00	271.00	271.00
Ⓢ -TC	Neo-Loc Test Cap Gasket (2", 3", 4" NL Bottom Outlet Only)	37.00	37.00	37.00
-VPS	Vandal-Proof Strainer (NH outlet only)	433.00	433.00	433.00
-2	1/2 Grate	N/C	N/C	N/C
-3	3/4 Grate	N/C	N/C	N/C
-4	Full Grate with Center Opening (2" Round for Z and 3-1/32" Square for ZN or ZS)	248.00	248.00	248.00
-6	Grate with 6" Dia. x 6" High Funnel	677.00	867.00	2,147.00
-8	Grate with 8-7/8" x 3-5/8" x 3-3/4" High Oval Funnel	734.00	1,221.00	3,345.00
-11	Vandal-Proof Secured Grate (ZN and ZS Only)	-	113.00	113.00
-15	Solid Loose Set Cover (Z and ZN Only)	163.00	318.00	N/A
-19	Full Hinged Grate (ZN Only)	-	488.00	-
-23	Aluminum Bucket	440.00	440.00	440.00
-25	White A.R.C. Bucket	826.00	826.00	826.00
-31	Stainless Steel Mesh Liner for Bucket	654.00	654.00	654.00
-32	Aluminum Dome Strainer	N/C	N/C	N/C
-33	White A.R.C. Anti-Splash Bottom Dome Strainer	477.00	477.00	477.00

		DEDUCT		
		Z (A.R.E.)	ZN (N.B.)	ZS
-LD	Less Bottom Dome Strainer	(88.00)	(88.00)	(88.00)
-1	Less Grate	(318.00)	(678.00)	(1,698.00)

BEST SELLERS	LIST PRICE
Z1901-2NH-2	3,064.00
Z1901-2NH-2-32	3,064.00
Z1901-3NH	3,064.00
Z1901-3NH-2	3,064.00
Z1901-3NH-2-25	3,890.00
ZN1901-3NH-2	4,091.00
ZN1901-3NH-2-33-KC	5,371.00
Z1901-3NL	3,064.00
Z1901-3NL-2-32	3,064.00
ZN1901-3NL-2	4,091.00
Z1901-4NH-2	3,064.00
ZN1901-4NH-2	4,091.00
Z1901-4NL	3,064.00
Z1901-4NL-2	3,064.00
ZN1901-4NL-2	4,091.00

\*Regularly furnished unless otherwise specified.

Items designated as Best Sellers are most specified and are generally in stock for shipment.

Ⓢ This symbol denotes a product that is engineered to reduce installation and rework time.

For additional product information, please visit [www.zurn.com](http://www.zurn.com)

Patent [zurn.com/patents](http://zurn.com/patents)

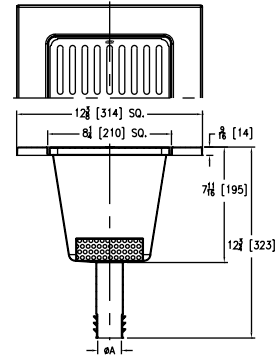
INTRO  
ROOF DRAINS  
FLOOR DRAINS  
I, P, BW VALVES  
INTERCEPTORS  
CARRIERS  
HYDRANTS  
CLEANOUTS  
WHA  
SS DRAINS  
SANI-FLOR  
TECH INFO

🕒 **Z1901-RL 12" X 12" X 8" REPLACEMENT FLOOR SINK LINER**



**ENGINEERING SPECIFICATION**

Zurn Z1901-RL 12" x 12" x 8" deep replacement floor sink liner features 18 gage, all Type 304 (CF8) fabricated stainless steel, internal pipe gasket seal, light-duty, slotted, loose set grate, and perforated removable dome strainer.



A Pipe Size inches [mm]	Approximate Weight lb [kg]	Grate Open Area sq in [cm <sup>2</sup> ]
<b>Gasket Seal</b>		
2 [51], 3 [76], 4 [102]	7 [3]	21.7 [140]

PREFIXES	DESCRIPTION	A PIPE SIZE	LIST PRICE
<b>Z1901*</b>	All Type 304 (CF8) Fabricated Stainless Steel	2", 3", 4"	<b>2,939.00</b>
OUTLETS (SPECIFY PIPE SIZE IN INCHES AND TYPE OF OUTLET)			
OUTLET TYPE	PIPE SIZE/OUTLET TYPE		ADD
<b>RL</b>	Gasket Seal	RL2, RL3, RL4	<b>N/C</b>
SUFFIXES			
<b>-2</b>	1/2 Grate		<b>N/C</b>
<b>-3</b>	3/4 Grate		<b>N/C</b>
<b>-Y</b>	Sediment Bucket		<b>311.00</b>
DEDUCT			
<b>-1</b>	Less Grate		<b>(209.00)</b>

# Z1902 12" X 12" A.R.E. SANI-FLOR RECEPTOR WITH 10" SUMP DEPTH

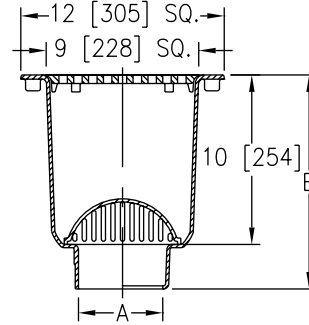


## ENGINEERING SPECIFICATION

Zurn Z1902 Sani-Flor receptor features 12" x 12" x 10" deep cast iron body, square, light-duty grate with 1/2" slotted openings, and white acid resisting porcelain enamel interior and top – complete with white ABS anti-splash interior bottom dome strainer.

## NOTE

†Add 1/2" to 12" dimension when specifying ZN1902 or ZS1902.



Dimensions in inches [mm]				Approximate Weight lb [kg]	Grate Open Area sq in [cm <sup>2</sup> ]
A Pipe Size/ Outlet Type	E Body Height Dimensions		Z		
<b>Inside Caulk (IC)</b>					
3IC, 4IC	12-5/8 [321]	13-1/8 [333]		36 [16]	31 [200]
<b>No-Hub (NH)</b>					
2NH, 3NH, 4NH	12-5/8 [321]	13-1/8 [333]		36 [16]	31 [200]
<b>Neo-Loc (NL)</b>					
2NL, 3NL, 4NL	12 [305]	12-1/2 [318]		36 [16]	31 [200]

PREFIXES	DESCRIPTION	A PIPE SIZE	Z (A.R.E.)	ZN (N.B.)	ZS
Z1902*	Cast Iron Body with White A.R.E. Interior and Top	2", 3", 4"	3,239.00	-	-
ZN1902†	Cast Iron Body with White A.R.E. Interior and Top, 12-1/2" Square N.B. Frame and Full Grate with 1/2" Square Openings	2", 3", 4"	-	4,263.00	-
ZS1902†	Cast Iron Body with White A.R.E. Interior and Top, 12-1/2" Square Stainless Steel Frame and Full Grate with 1/2" Square Openings	2", 3", 4"	-	-	6,292.00

OUTLETS (SPECIFY PIPE SIZE IN INCHES AND TYPE OF OUTLET)					
OUTLET TYPE		PIPE SIZE/ OUTLET TYPE			ADD
IC	Inside Caulk	3IC, 4IC	N/C	N/C	N/C
NH	No-Hub	2NH, 3NH, 4NH	N/C	N/C	N/C
NL	Neo-Loc	2NL, 3NL, 4NL	N/C	N/C	N/C

SUFFIXES		ADD		
		Z (A.R.E.)	ZN (N.B.)	ZS
-DX	Dex-O-Tex Flange (ZN Only)	-	1,580.00	-
-HD	Stainless Steel Frame with Extra-Heavy-Duty Stainless Steel Grate (ZS Only)	-	-	1,654.00
-HP	Heel-Proof Grate (ZN Only)	-	962.00	-
-K	Anchor Flange	536.00	536.00	536.00
-KC	Anchor Flange with Seepage Holes and Clamp Collar	803.00	803.00	803.00
-P	1/2" Trap Primer Connection (See Z1023)	271.00	271.00	271.00
-SA	Stabilizer Assembly (See Z1903)	287.00	287.00	287.00
Ⓛ-TC	Neo-Loc Test Cap Gasket (2", 3", 4" NL Bottom Outlet Only)	37.00	37.00	37.00
-VPS	Vandal-Proof Strainer (NH outlet only)	433.00	433.00	433.00
-2	1/2 Grate	N/C	N/C	N/C
-3	3/4 Grate	N/C	N/C	N/C
-4	Full Grate with Center Opening (2" Round for Z and 3-1/32" Square for ZN or ZS)	248.00	248.00	248.00
-6	Grate with 6" Dia. x 6" High Funnel	677.00	867.00	2,147.00
-8	Grate with 8-7/8" x 3-5/8" x 3-3/4" High Oval Funnel	734.00	1,221.00	3,345.00
-11	Vandal-Proof Secured Grate (ZN and ZS Only)	-	113.00	113.00
-15	Solid Loose Set Cover (Z and ZN Only)	163.00	318.00	N/A
-19	Full Hinged Grate (ZN Only)	-	488.00	-
-23	Aluminum Bucket	440.00	440.00	440.00
-25	White A.R.C. Bucket	826.00	826.00	826.00
-31	Stainless Steel Mesh Liner for Bucket	654.00	654.00	654.00
-32	Aluminum Dome Strainer	N/C	N/C	N/C
-33	White A.R.C. Anti-Splash Bottom Dome Strainer	477.00	477.00	477.00

		DEDUCT		
		Z (A.R.E.)	ZN (N.B.)	ZS
-LD	Less Bottom Dome Strainer	(88.00)	(88.00)	(88.00)
-1	Less Grate	(318.00)	(678.00)	(1,698.00)

BEST SELLERS		LIST PRICE
Z1902-2NH-2		3,239.00
Z1902-3NH		3,239.00
Z1902-3NH-2		3,239.00
ZN1902-3NH-2-23-KC		5,506.00
Z1902-3NL		3,239.00
Z1902-3NL-2		3,239.00
Z1902-4NH-2		3,239.00
Z1902-4NH-K		3,775.00
ZN1902-4NH-2		4,263.00
ZN1902-4NH-KC		5,066.00
Z1902-4NL		3,239.00
Z1902-4NL-2		3,239.00

\*Regularly furnished unless otherwise specified.

Items designated as Best Sellers are most specified and are generally in stock for shipment.

Ⓛ This symbol denotes a product that is engineered to reduce installation and rework time.

For additional product information, please visit [www.zurn.com](http://www.zurn.com)

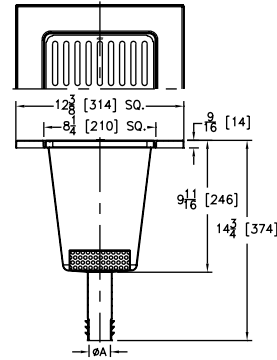
Patent [zurn.com/patents](http://zurn.com/patents)

## 🕒 Z1902-RL 12" X 12" X 10" REPLACEMENT FLOOR SINK LINER



### ENGINEERING SPECIFICATION

Zurn Z1902-RL 12" x 12" x 10" deep replacement floor sink liner features 18 gage, all Type 304 (CF8) fabricated stainless steel, internal pipe gasket seal, light-duty, slotted, loose set grate, and perforated removable dome strainer.



A Pipe Size inches [mm]	Approximate Weight lb [kg]	Grate Open Area sq in [cm <sup>2</sup> ]
<b>Gasket Seal</b>		
2 [51], 3 [76], 4 [102]	8 [4]	21.7 [140]

PREFIXES	DESCRIPTION	A PIPE SIZE	LIST PRICE
Z1902*	All Type 304 (CF8) Fabricated Stainless Steel	2", 3", 4"	3,161.00
OUTLETS (SPECIFY PIPE SIZE IN INCHES AND TYPE OF OUTLET)			
OUTLET TYPE	PIPE SIZE/OUTLET TYPE		ADD
RL	Gasket Seal	RL2, RL3, RL4	N/C
SUFFIXES			
ADD			
-2	1/2 Grate		N/C
-3	3/4 Grate		N/C
-Y	Sediment Bucket		311.00
DEDUCT			
-1	Less Grate		(209.00)

## 🕒 Z1903 SANI-FLOOR RECEPTOR INSTALLATION STABILIZER

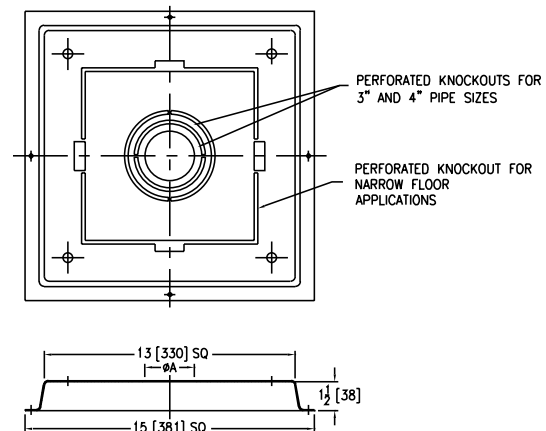


### ENGINEERING SPECIFICATION

Zurn Z1903 Sani-Floor receptor installation stabilizer features a 16-gage, galvanized steel plate with variable pipe opening, four support stud holes, and four nail holes. Comes complete with hardware bag containing four 3/8"-16 x 12" long studs, eight 3/8"-16 flange locknuts and coverplate with hole for standard 2" pipe size and perforated knockouts for 3" and 4" pipe connections. (For use with Z1900, Z1901, and Z1902 Sani-Floor receptors.)

### NOTE

Stabilizer plate may be used without coverplate for narrow floor applications where the drain body will be recessed into stabilizer plate.



Dimensions in inches [mm]	
Pipe Size	A Diameter
2 [51]	2-9/16 [65]
3 [76]	3-11/16 [94]
4 [102]	4-11/16 [119]

PREFIXES	DESCRIPTION	PIPE SIZE	LIST PRICE
Z1903*	Sani-Floor Receptor Installation Stabilizer	2", 3" 4"	287.00

# Z1910 8" X 8" A.R.E. SANI-FLORECEPTOR WITH 6" SUMP DEPTH

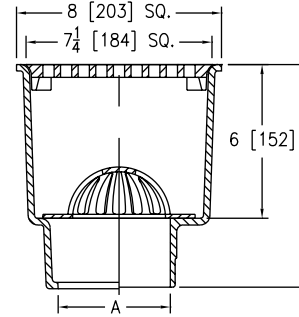


## ENGINEERING SPECIFICATION

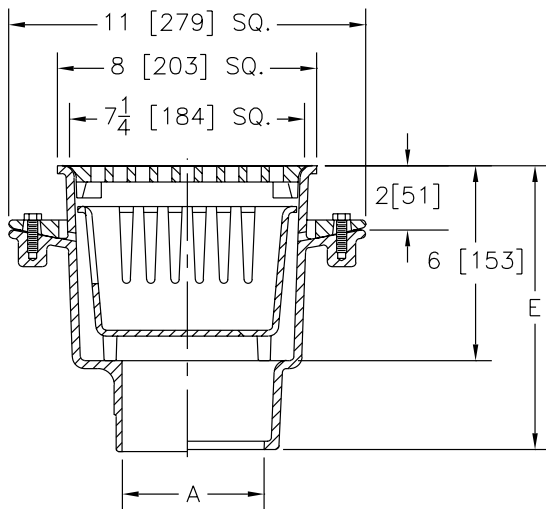
Zurn Z1910 Sani-Floreceptor features 8" x 8" x 6" deep cast iron body, square medium-duty grate with 7/16" slotted openings, and white acid resisting porcelain enamel interior and top - complete with white ABS anti-splash interior bottom dome strainer.

### NOTE

\*Add 1/2" to 8" dimension when specifying ZN1910.



Dimensions in inches [mm]				Approximate Weight lb [kg]	Grate Open Area sq in [cm <sup>2</sup> ]
A Pipe Size/Outlet Type	E Body Height Dimensions		Z		
<b>Inside Caulk</b>					
3IC, 4IC	8-3/4 [222]	9-1/4 [235]	25 [11]	19 [123]	
<b>No-Hub (NH)</b>					
2NH, 3NH, 4NH	8-5/8 [219]	9-1/8 [232]	25 [11]	19 [123]	
<b>Neo-Loc (NL)</b>					
2NL, 3NL, 4NL	8 [203]	8-1/2 [216]	25 [11]	19 [123]	



PREFIXES	DESCRIPTION	A PIPE SIZE	Z (A.R.E.)	ZN (N.B.)
Z1910*	Cast Iron Body with White A.R.E. Interior and Top	2", 3" 4"	2,175.00	-
ZN1910†	Cast Iron Body with White A.R.E. Interior and Top, 8-9/16" Square N.B. Frame, and Full Grate with 5/16" Square Openings	2", 3" 4"	-	2,759.00

OUTLETS (SPECIFY PIPE SIZE IN INCHES AND TYPE OF OUTLET)				
OUTLET TYPE		PIPE SIZE/OUTLET TYPE	Z (A.R.E.)	ZN (N.B.)
IC	Inside Caulk	3IC, 4IC	N/C	N/C
NH	No-Hub	2NH, 3NH, 4NH	N/C	N/C
NL	Neo-Loc	2NL, 3NL, 4NL	N/C	N/C

SUFFIXES				
			Z (A.R.E.)	ZN (N.B.)
-DX	Dex-O-Tex Flange (ZN Only)		-	1,342.00
-K	Anchor Flange		258.00	258.00
-KC	Anchor Flange with Seepage Holes and Clamp Collar		470.00	470.00
-P	1/2" Trap Primer Connection (See Z1023)		271.00	271.00
Ⓢ -TC	Neo-Loc Test Cap Gasket (2", 3", 4" NL Bottom Outlet Only)		37.00	37.00
-2	1/2 Grate		N/C	N/C
-3	3/4 Grate		N/C	N/C
-4	Full Grate with Square Center Opening		248.00	248.00
-6	Grate with 6" Dia. x 6" High Funnel		677.00	867.00
-8	Grate with 8-7/8" x 3-5/8" x 3-3/4" High Oval Funnel		734.00	1,210.00
-11	Vandal-Proof Secured Grate (ZN only)		-	107.00
-15	Solid Loose Set Cover		138.00	239.00
-19	Full Hinged Grate (ZN only)		-	488.00
-23	Aluminum Bucket		278.00	278.00
-25	White A.R.C. Bucket		600.00	600.00
-31	Stainless Steel Mesh Liner for Bucket		654.00	654.00
-32	Aluminum Dome Strainer		N/C	N/C
-33	White A.R.C. Anti-Splash Bottom Dome Strainer		440.00	440.00

DEDUCT				
			Z (A.R.E.)	ZN (N.B.)
-LD	Less Bottom Dome Strainer		(88.00)	(88.00)
-1	Less Grate		(271.00)	(422.00)

BEST SELLERS	LIST PRICE
Z1910-2NH	2,175.00
Z1910-2NH-2	2,175.00
Z1910-3NH-2	2,175.00
Z1910-3NH-2-25	2,775.00
ZN1910-3NH-2	2,759.00
ZN1910-3NH-2-23	3,037.00
Z1910-3NL	2,175.00
Z1910-3NL-2	2,175.00
ZN1910-3NL-2-32	2,759.00
Z1910-4NH-2	2,175.00
Z1910-4NL-2	2,175.00

\*Regularly furnished unless otherwise specified.

Items designated as Best Sellers are most specified and are generally in stock for shipment.

Ⓢ This symbol denotes a product that is engineered to reduce installation and rework time.

For additional product information, please visit [www.zurn.com](http://www.zurn.com)

Patent [zurn.com/patents](http://zurn.com/patents)

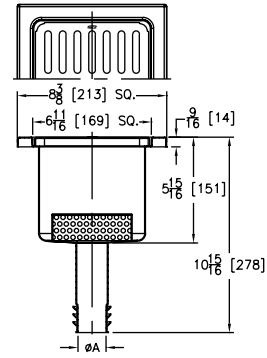
INTRO ROOF DRAINS FLOOR DRAINS I.P. BW VALVES INTERCEPTORS CARRIERS HYDRANTS CLEANOUTS WHA SS DRAINS SANI-FLORE TECH INFO

## 🕒 Z1910-RL 8" X 8" X 6" REPLACEMENT FLOOR SINK LINER



### ENGINEERING SPECIFICATION

Zurn Z1910-RL 8" x 8" x 6" deep replacement floor sink liner features 18 gage, all Type 304 (CF8) fabricated stainless steel, internal pipe gasket seal, light-duty, slotted, loose set grate, and perforated removable dome strainer.



A Pipe Size inches [mm]	Approximate Weight lb [kg]	Grate Open Area sq in [cm <sup>2</sup> ]
Gasket Seal		
2 [51], 3 [76], 4 [102]	5 [2]	12.2 [79]

PREFIXES	DESCRIPTION	A PIPE SIZE	LIST PRICE
Z1910*	All Type 304 (CF8) Fabricated Stainless Steel	2", 3", 4"	2,272.00
OUTLETS (SPECIFY PIPE SIZE IN INCHES AND TYPE OF OUTLET)			
OUTLET TYPE		PIPE SIZE/OUTLET TYPE	ADD
RL	Gasket Seal	RL2, RL3, RL4	N/C
SUFFIXES			
			ADD
-2	1/2 Grate		N/C
-3	3/4 Grate		N/C
-Y	Sediment Bucket		311.00
DEDUCT			
-1	Less Grate		(209.00)

# Z1920 16" X 16" A.R.C. SANI-FLOR RECEPTOR WITH 7" SUMP DEPTH

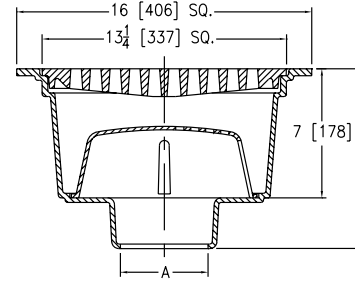


## ENGINEERING SPECIFICATION

Zurn Z1920 Sani-Flor receptor features 16" x 16" x 7" deep cast iron body, square, slotted heavy-duty grate, and white acid resisting epoxy coated interior and top – complete with aluminum anti-splash interior bottom dome strainer.

## NOTE

†Add 3/4" to 16" dimension when specifying ZN1920.



Dimensions in inches [mm]			Approximate Weight lb [kg]	Grate Open Area sq in [cm <sup>2</sup> ]
A Pipe Size/ Outlet Type	E Body Height Dimensions			
	Z	ZN		
<b>Inside Caulk (IC)</b>				
2IC, 3IC, 4IC, 6IC	9-3/4 [248]	9-15/16 [252]	81 [37]	54 [348]
8IC	10-1/4 [260]	10-7/16 [265]		
<b>Neo-Loc (NL)</b>				
2NL, 3NL, 4NL	9 [229]	9-3/16 [233]	81 [37]	54 [348]

PREFIXES	DESCRIPTION	A PIPE SIZE	Z (A.R.C.)	ZN (N.B.)
Z1920*	Cast Iron Body with White A.R.C. Interior and Top	2", 3" 4", 6", 8"	5,949.00	-
ZN1920†	Cast Iron Body with White A.R.C. Interior and Top, 16-3/4" Square N.B. Frame, and Full Slotted Grate	2", 3" 4", 6", 8"	-	7,625.00
<b>OUTLETS (SPECIFY PIPE SIZE IN INCHES AND TYPE OF OUTLET)</b>				
OUTLET TYPE		PIPE SIZE/OUTLET TYPE	Z (A.R.C.)	ZN (N.B.)
IC	Inside Caulk	2IC, 3IC, 4IC, 6IC, 8IC	N/C	N/C
NL	Neo-Loc	2NL, 3NL, 4NL	N/C	N/C
			Z (A.R.C.)	ZN (N.B.)
SUFFIXES				
-K	Anchor Flange		511.00	511.00
-KC	Anchor Flange with Seepage Holes and Clamp Collar		1,283.00	1,283.00
-P	1/2" Trap Primer Connection		271.00	271.00
Ⓢ -TC	Neo-Loc Test Cap Gasket (2", 3", 4" NL Bottom Outlet Only)		37.00	37.00
-2	1/2 Grate		N/C	N/C
-3	3/4 Grate		N/C	N/C
-4	Full Grate with Square Center Opening		248.00	248.00
-6	Grate with 6" Dia. x 6" High Funnel		677.00	867.00
-8	Grate with 8-7/8" x 3-5/8" x 3-3/4" High Oval Funnel		734.00	1,210.00
-11	Vandal-Proof Secured Grate		206.00	206.00
-15	Solid Loose Set Cover		209.00	851.00
-23	Aluminum Bucket		1,144.00	1,144.00
-25	White A.R.C. Bucket		3,211.00	3,211.00
-31	Stainless Steel Mesh Liner for Bucket		1,296.00	1,296.00
-33	White A.R.C. Anti-Splash Bottom Dome Strainer		440.00	440.00
			Z (A.R.C.)	ZN (N.B.)
DEDUCT				
-LD	Less Bottom Dome Strainer		(88.00)	(88.00)
-1	Less Grate		(525.00)	(1,427.00)
BEST SELLERS			LIST PRICE	
Z1920-3NL			5,949.00	
Z1920-3NL-P			6,220.00	
Z1920-4NL			5,949.00	
Z1920-4NL-2			5,949.00	
Z1920-4NL-23			7,093.00	
ZN1920-4NL-2-23			8,769.00	

\*Regularly furnished unless otherwise specified.

Items designated as Best Sellers are most specified and are generally in stock for shipment.

Ⓢ This symbol denotes a product that is engineered to reduce installation and rework time.

For additional product information, please visit [www.zurn.com](http://www.zurn.com)

Patent [zurn.com/patents](http://zurn.com/patents)



# Z1926 16" X 16" A.R.C. SANI-FLOR RECEPTOR WITH 12" SUMP DEPTH

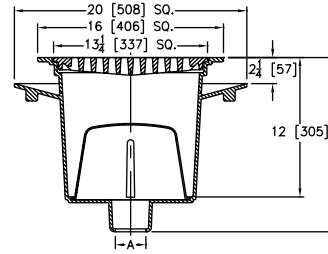


## ENGINEERING SPECIFICATION

Zurn Z1926 Sani-Flor receptor features 16" x 16" x 12" deep cast iron body, seepage flange, square, heavy-duty grate with 9/16" slotted openings, and white acid resisting epoxy coated interior and top – complete with aluminum anti-splash interior bottom dome strainer.

## NOTE

\*Add 3/4" to 16" dimension when specifying ZN1926.



Dimensions in inches [mm]				
A Pipe Size/ Outlet Type	E Body Height Dimensions		Approximate Weight lb [kg]	Grate Open Area sq in [cm <sup>2</sup> ]
	Z	ZN		
<b>Inside Caulk (IC)</b>				
3IC, 4IC, 6IC	15 [381]	15-3/16 [386]	150 [68]	54 [348]
<b>No-Hub (NH)</b>				
2NH, 3NH, 4NH, 6NH, 8NH	15 [381]	15-3/16 [386]	150 [68]	54 [348]
<b>Neo-Loc (NL)</b>				
2NL, 3NL, 4NL	14-1/4 [362]	14-7/16 [367]	150 [68]	54 [348]

PREFIXES	DESCRIPTION	A PIPE SIZE	Z (A.R.C.)	ZN (N.B.)
Z1926*	Cast Iron Body with White A.R.C. Interior and Top	2", 3" 4", 6", 8"	6,447.00	-
ZN1926†	Cast Iron Body with White A.R.C. Interior and Top, 16-3/4" Square N.B. Frame, and Full Slotted Grate	2", 3" 4", 6", 8"	-	8,127.00
<b>OUTLETS (SPECIFY PIPE SIZE IN INCHES AND TYPE OF OUTLET)</b>				
<b>OUTLET TYPE</b>		<b>PIPE SIZE/OUTLET TYPE</b>	<b>ADD</b>	
IC	Inside Caulk	3IC, 4IC, 6IC	N/C	N/C
NH	No-Hub	2NH, 3NH, 4NH, 6NH, 8NH	N/C	N/C
NL	Neo-Loc	2NL, 3NL, 4NL	N/C	N/C
<b>SUFFIXES</b>			<b>ADD</b>	
-C	Clamp Collar		777.00	777.00
-P	1/2" Trap Primer Connection		271.00	271.00
⊙ -TC	Neo-Loc Test Cap Gasket (2", 3", 4" NL Bottom Outlet Only)		37.00	37.00
-2	1/2 Grate		N/C	N/C
-3	3/4 Grate		N/C	N/C
-4	Full Grate with Square Center Opening		248.00	248.00
-6	Grate with 6" Dia. x 6" High Funnel		677.00	867.00
-8	Grate with 8-7/8" x 3-5/8" x 3-3/4" High Oval Funnel		734.00	1,210.00
-11	Vandal-Proof Secured Grate		206.00	206.00
-15	Solid Loose Set Cover		209.00	851.00
-23	Aluminum Bucket		1,144.00	1,144.00
-25	White A.R.C. Bucket		3,211.00	3,211.00
-31	Stainless Steel Mesh Liner for Bucket		1,296.00	1,296.00
-33	White A.R.C. Anti-Splash Bottom Dome Strainer		440.00	440.00
			<b>DEDUCT</b>	
			<b>Z (A.R.C.)</b>	<b>ZN (N.B.)</b>
-LD	Less Bottom Dome Strainer		(88.00)	(88.00)
-1	Less Grate		(525.00)	(1,427.00)
<b>BEST SELLERS</b>			<b>LIST PRICE</b>	
Z1926-3NL			6,447.00	
Z1926-4IC-2-23-31			8,887.00	
Z1926-4NH			6,447.00	
Z1926-4NH-2			6,447.00	
Z1926-4NH-2-C			7,224.00	
Z1926-4NH-C			7,224.00	
ZN1926-4NH-2			8,127.00	
Z1926-4NL			6,447.00	
Z1926-6NH			6,447.00	

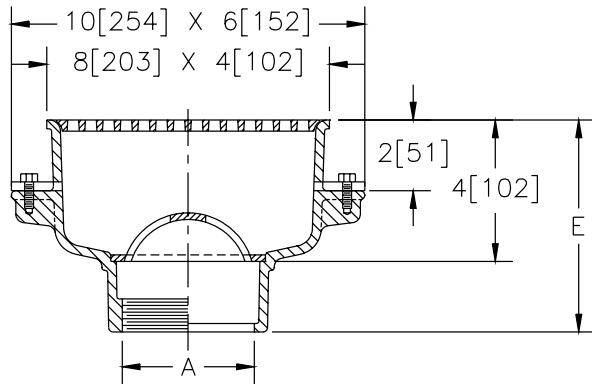
# Z1930 8" X 4" A.R.C. SANI-FLOR RECEPTOR WITH 4" SUMP DEPTH



## ENGINEERING SPECIFICATION

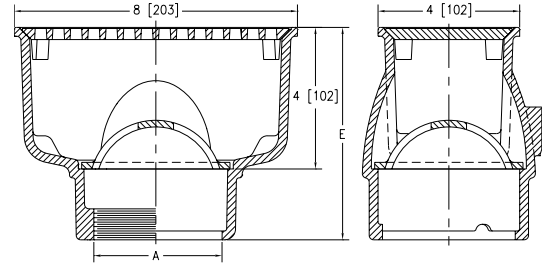
Zurn Z1930 Sani-Flor receptor features 8" x 4" x 4" deep cast iron body and rectangular, square hole, light-duty grate with white acid resisting epoxy coated interior and top - complete with white ABS anti-splash interior bottom dome strainer.

Dimensions in inches [mm]				Approximate Weight lb [kg]	Grate Open Area sq in [cm <sup>2</sup> ]
A Pipe Size/Outlet Type	E Body Height Dimensions		Z		
<b>Threaded (IP)</b>					
2IP, 3IP	6 [152]	6-3/8 [162]	11 [5]	7.5 [48]	
<b>Neo-Loc (NL)</b>					
2NL, 3NL	5-13/16 [148]	6-3/16 [157]	11 [5]	7.5 [48]	



-KC Option Shown

**Z1930-KC** Sani-Flor Receptor, 8" x 4" x 4" deep cast iron body and rectangular square hole light-duty grate with white acid resisting epoxy coated interior and top with seepage flange with seepage holes and clamp collar (-KC).



PREFIXES	DESCRIPTION	A PIPE SIZE	Z (A.R.C.)	ZN (N.B.)
<b>Z1930*</b>	Cast Iron Body with White A.R.C. Interior and Top	2", 3"	<b>2,243.00</b>	-
<b>ZN1930</b>	Cast Iron Body with White A.R.C. Interior and Top, 8-3/4" x 4-3/4" N.B. Frame, and Full Grate with 5/16" Square Openings	2", 3"	-	<b>2,690.00</b>
OUTLETS (SPECIFY PIPE SIZE IN INCHES AND TYPE OF OUTLET)				
OUTLET TYPE		PIPE SIZE/OUTLET TYPE	ADD	
IP	Threaded	2IP, 3IP	N/C	N/C
NL	Neo-Loc	2NL, 3NL	N/C	N/C
SUFFIXES			Z (A.R.C.)	ZN (N.B.)
-K	Anchor Flange		271.00	271.00
-KC	Anchor Flange with Seepage Holes and Clamp Collar		525.00	525.00
-P	1/2" Trap Primer Connection		271.00	271.00
-S	Secondary Strainer		N/C	N/C
Ⓢ -TC	Neo-Loc Test Cap Gasket (2", 3" NL Bottom Outlet Only)		37.00	37.00
-2	1/2 Grate		N/C	N/C
-3	3/4 Grate		N/C	N/C
-4	Full Grate with Square Center Opening		248.00	248.00
-6	Grate with 6" Dia. x 6" High Funnel		677.00	867.00
-8	Grate with 8-7/8" x 3-5/8" x 3-3/4" High Oval Funnel		734.00	1,210.00
-11	Vandal-Proof Secured Grate (ZN only)		-	113.00
-15	Solid Loose Set Cover (ZN only)		-	239.00
-23	Aluminum Bucket		271.00	271.00
-25	White A.R.C. Bucket		654.00	654.00
-31	Stainless Steel Mesh Liner for Bucket		654.00	654.00
-32	Aluminum Dome Strainer		N/C	N/C
-33	White A.R.C. Anti-Splash Bottom Dome Strainer		440.00	440.00
			DEDUCT	
			Z (A.R.C.)	ZN (N.B.)
-LD	Less Bottom Dome Strainer		(88.00)	(88.00)
-1	Less Grate		(209.00)	(422.00)

\*Regularly furnished unless otherwise specified.

Items designated as Best Sellers are most specified and are generally in stock for shipment.

Ⓢ This symbol denotes a product that is engineered to reduce installation and rework time.

For additional product information, please visit [www.zurn.com](http://www.zurn.com)

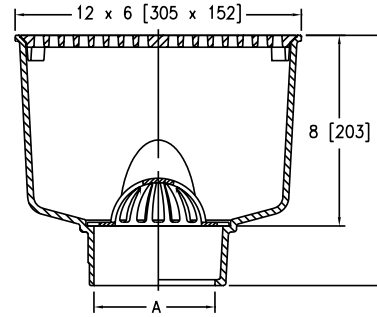
Patent [zurn.com/patents](http://zurn.com/patents)

# Z1940 12" X 6" A.R.C. SANI-FLORECEPTOR WITH 8" SUMP DEPTH

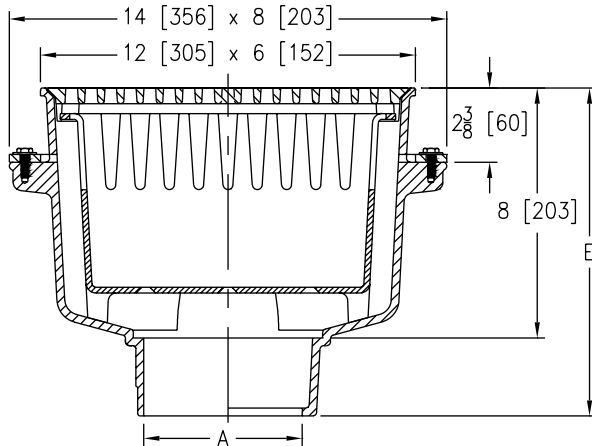


## ENGINEERING SPECIFICATION

Zurn Z1940 Sani-Flor receptor features 12" x 6" x 8" deep cast iron body and rectangular, square hole, light-duty grate with white acid resisting epoxy coated interior and top - complete with white ABS anti-splash interior bottom dome strainer.



Dimensions in inches [mm]			Approximate Weight lb [kg]	Grate Open Area sq in [cm <sup>2</sup> ]
A Pipe Size/Outlet Type	E Body Height Dimensions			
	Z	ZN		
<b>Inside Caulk (IC)</b>				
2IC, 3IC, 4IC	10-1/2 [267]	10-7/8 [276]	28 [13]	17 [110]
<b>No-Hub (NH)</b>				
2NH, 3NH, 4NH	10-1/2 [267]	10-7/8 [276]	28 [13]	17 [110]
<b>Neo-Loc (NL)</b>				
2NL, 3NL, 4NL	10 [254]	10-3/8 [264]	28 [13]	17 [110]



-KC-23 Options Shown

**Z1940-KC-23** Sani-Flor Receptor, 12" x 6" x 8" deep cast iron body and rectangular square hole light-duty grate with white acid resisting epoxy coated interior and top with seepage flange with seepage holes and clamp collar (-KC) and aluminum bucket (-23).

PREFIXES	DESCRIPTION	A PIPE SIZE	Z (A.R.C.)	ZN (N.B.)
<b>Z1940*</b>	Cast Iron Body with White A.R.C. Interior and Top	2", 3", 4"	2,959.00	-
<b>ZN1940</b>	Cast Iron Body with White A.R.C. Interior and Top, 13" x 7" N.B. Frame, and Full Grate with 3/8" Square Openings	2", 3, 4"	-	3,620.00
OUTLETS (SPECIFY PIPE SIZE IN INCHES AND TYPE OF OUTLET)				
OUTLET TYPE	PIPE SIZE/OUTLET TYPE			ADD
<b>IC</b>	Inside Caulk	2IC, 3IC, 4IC	N/C	N/C
<b>NH</b>	No-Hub	2NH, 3NH, 4NH	N/C	N/C
<b>NL</b>	Neo-Loc	2NL, 3NL, 4NL	N/C	N/C
SUFFIXES			Z (A.R.C.)	ZN (N.B.)
<b>-K</b>	Anchor Flange		383.00	383.00
<b>-KC</b>	Anchor Flange with Seepage Holes and Clamp Collar		640.00	640.00
<b>-P</b>	1/2" Trap Primer Connection		271.00	271.00
<b>-S</b>	Secondary Strainer		N/C	N/C
<b>-TC</b>	Neo-Loc Test Cap Gasket (2", 3", 4" NL Bottom Outlet Only)		37.00	37.00
<b>-2</b>	1/2 Grate		N/C	N/C
<b>-3</b>	3/4 Grate		N/C	N/C
<b>-4</b>	Full Grate with Square Center Opening		248.00	248.00
<b>-6</b>	Grate with 6" Dia. x 6" High Funnel		677.00	867.00
<b>-8</b>	Grate with 8-7/8" x 3-5/8" x 3-3/4" High Oval Funnel		734.00	1,210.00
<b>-11</b>	Vandal-Proof Secured Grate (ZN only)		-	113.00
<b>-15</b>	Solid Loose Set Cover		138.00	239.00
<b>-23</b>	Aluminum Bucket		271.00	271.00
<b>-25</b>	White A.R.C. Bucket		654.00	654.00
<b>-31</b>	Stainless Steel Mesh Liner for Bucket		654.00	654.00
<b>-32</b>	Aluminum Dome Strainer		N/C	N/C
<b>-33</b>	White A.R.C. Anti-Splash Bottom Dome Strainer		440.00	440.00
			DEDUCT	
			Z (A.R.C.)	ZN (N.B.)
<b>-LD</b>	Less Bottom Dome Strainer		(88.00)	(88.00)
<b>-1</b>	Less Grate		(271.00)	(477.00)

\*Regularly furnished unless otherwise specified.

Items designated as Best Sellers are most specified and are generally in stock for shipment.

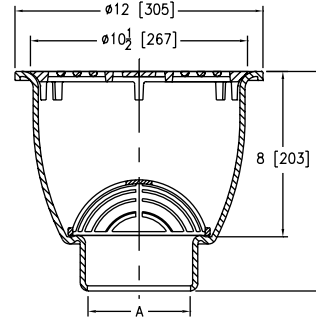
Ⓢ This symbol denotes a product that is engineered to reduce installation and rework time.

# Z1950 12" DIAMETER A.R.E. SANI-FLORECEPTOR WITH 8" SUMP DEPTH

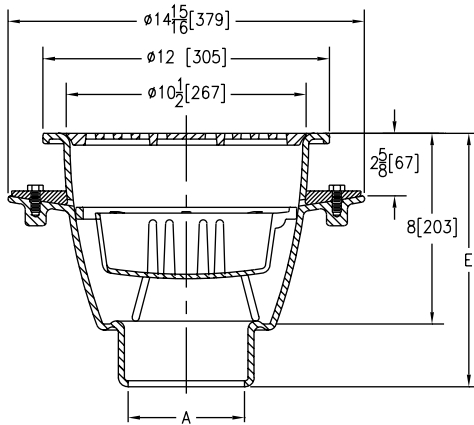


## ENGINEERING SPECIFICATION

Zurn Z1950 Sani-Flor receptor features 12" diameter x 8" deep cast iron body, and round slotted, light-duty grate with white acid resisting porcelain enamel interior and top - complete with white ABS anti-splash interior bottom dome strainer.



Dimensions in inches [mm]				
A Pipe Size/ Outlet Type	E Body Height Dimensions		Approximate Weight lb [kg]	Grate Open Area sq in [cm <sup>2</sup> ]
	Z	ZN		
<b>Inside Caulk (IC)</b>				
3IC, 4IC	10-5/8 [270]	11 [279]	34 [15]	22 [142]
<b>No-Hub (NH)</b>				
2NH, 3NH, 4NH	10-5/8 [270]	11 [279]	34 [15]	22 [142]
<b>Neo-Loc (NL)</b>				
2NL, 3NL, 4NL	10 [254]	10-3/8 [264]	34 [15]	22 [142]



-KC-23 Options Shown

**Z1950-KC-23** Sani-Flor Receptor, 12" diameter x 8" deep cast iron body and round slotted light-duty grate with white acid resisting porcelain enamel interior and top with seepage flange with seepage holes and clamp collar (-KC) and aluminum bucket (-23).

PREFIXES	DESCRIPTION	A PIPE SIZE	Z (A.R.E.)	ZN (N.B.)
<b>Z1950*</b>	Cast Iron Body with White A.R.E. Interior and Top	2", 3", 4"	<b>2,309.00</b>	-
<b>ZN1950</b>	Cast Iron Body with White A.R.E. Interior and Top, 12-1/2" Round N.B. Frame, and Full Grate with 1/2" Square Openings	2", 3, 4"	-	<b>3,681.00</b>

OUTLETS (SPECIFY PIPE SIZE IN INCHES AND TYPE OF OUTLET)				
OUTLET TYPE		PIPE SIZE/ OUTLET TYPE		ADD
<b>IC</b>	Inside Caulk	3IC, 4IC	<b>N/C</b>	<b>N/C</b>
<b>NH</b>	No-Hub	2NH, 3NH, 4NH	<b>N/C</b>	<b>N/C</b>
<b>NL</b>	Neo-Loc	2NL, 3NL, 4NL	<b>N/C</b>	<b>N/C</b>

SUFFIXES				
			Z (A.R.E.)	ZN (N.B.)
-K	Anchor Flange		<b>525.00</b>	<b>525.00</b>
-KC	Anchor Flange with Seepage Holes and Clamp Collar		<b>777.00</b>	<b>777.00</b>
-P	1/2" Trap Primer Connection (See Z1023, NH Only)		<b>271.00</b>	<b>271.00</b>
Ⓢ -TC	Neo-Loc Test Cap Gasket (2", 3", 4" NL Bottom Outlet Only)		<b>37.00</b>	<b>37.00</b>
-2	1/2 Grate		<b>N/C</b>	<b>N/C</b>
-3	3/4 Grate		<b>N/C</b>	<b>N/C</b>
-4	Full Grate with Center Opening		<b>248.00</b>	<b>248.00</b>
-6	Grate with 6" Dia. x 6" High Funnel		<b>677.00</b>	<b>867.00</b>
-8	Grate with 8-7/8" x 3-5/8" x 3-3/4" High Oval Funnel		<b>734.00</b>	<b>1,210.00</b>
-11	Vandal-Proof Secured Grate (ZN only)		-	<b>113.00</b>
-15	Solid Loose Set Cover		<b>163.00</b>	<b>318.00</b>
-23	Aluminum Bucket		<b>440.00</b>	<b>440.00</b>
-25	White A.R.C. Bucket		<b>654.00</b>	<b>654.00</b>
-31	Stainless Steel Mesh Liner for Bucket		<b>654.00</b>	<b>654.00</b>
-32	Aluminum Dome Strainer		<b>N/C</b>	<b>N/C</b>
-33	White A.R.C. Anti-Splash Bottom Dome Strainer		<b>440.00</b>	<b>440.00</b>

DEDUCT				
			Z (A.R.E.)	ZN (N.B.)
-LD	Less Bottom Dome Strainer		<b>(88.00)</b>	<b>(88.00)</b>
-1	Less Grate		<b>(371.00)</b>	<b>(706.00)</b>

BEST SELLERS		LIST PRICE
Z1950-2NH-2		<b>2,309.00</b>
Z1950-3NH		<b>2,309.00</b>
Z1950-3NH-2		<b>2,309.00</b>
Z1950-3NH-2-K		<b>2,834.00</b>
Z1950-3NH-2-KC		<b>3,086.00</b>
Z1950-3NH-K		<b>2,834.00</b>
Z1950-3NH-KC		<b>3,086.00</b>
Z1950-3NL-2		<b>2,309.00</b>
ZN1950-3NL-2-32-KC		<b>4,458.00</b>
ZN1950-3NL-23-TC		<b>4,158.00</b>
Z1950-4NH		<b>2,309.00</b>
Z1950-4NH-2		<b>2,309.00</b>
Z1950-4NH-3-33		<b>2,749.00</b>
Z1950-4NL-2		<b>2,309.00</b>

\*Regularly furnished unless otherwise specified.

Items designated as Best Sellers are most specified and are generally in stock for shipment.

Ⓢ This symbol denotes a product that is engineered to reduce installation and rework time.

For additional product information, please visit [www.zurn.com](http://www.zurn.com)

Patent [zurn.com/patents](http://zurn.com/patents)

INTRO  
ROOF DRAINS  
FLOOR DRAINS  
I, P, BW VALVES  
INTERCEPTORS  
CARRIERS  
HYDRANTS  
CLEANOUTS  
WHA  
SS DRAINS  
SANI-FLORE  
TECH INFO

# Z1960 8" DIAMETER A.R.E. SANI-FLOR RECEPTOR WITH 6" SUMP DEPTH

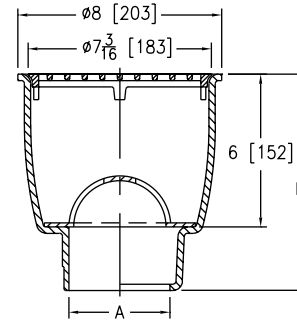


## ENGINEERING SPECIFICATION

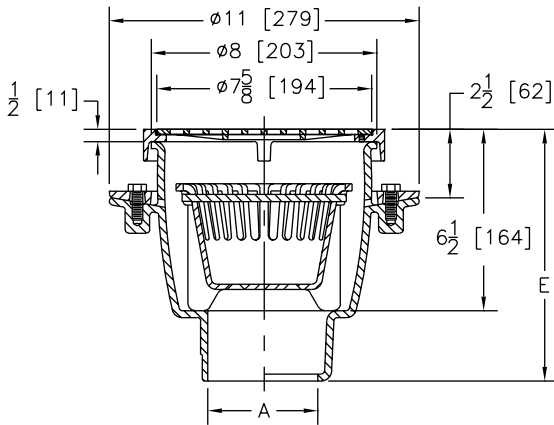
Zurn Z1960 Sani-Flor receptor features 8" diameter x 6" deep cast iron body and square hole, light-duty grate with white acid resisting porcelain enamel interior and top - complete with white ABS anti-splash interior bottom dome strainer.

## NOTE

†Add 9/16" to 8" dimension when specifying ZN1960.



Dimensions in inches [mm]				Approximate Weight lb [kg]	Grate Open Area sq in [cm <sup>2</sup> ]
A Pipe Size/Outlet Type	E Body Height Dimensions		Z		
<b>Inside Caulk (IC)</b>					
3IC, 4IC	8-1/2 [216]	9 [229]	25 [11]	14 [6]	
<b>No-Hub (NH)</b>					
2NH, 3NH, 4NH	8-1/2 [216]	9 [229]	25 [11]	14 [6]	
<b>Neo-Loc (NL)</b>					
2NL, 3NL, 4NL	8 [203]	8-7/16 [214]	25 [11]	14 [6]	



-T-KC-23 Options Shown

**ZN1960-T-KC-23** Sani-Flor Receptor, 8-1/2" square frame x 7-5/8" round light-duty grate with 1/4" openings (-T) x 6-1/2" deep cast iron body with white acid resisting porcelain enamel interior and nickel bronze frame and grate with seepage flange with seepage holes and clamp collar (-KC) and aluminum bucket (-23).

PREFIXES	DESCRIPTION	A PIPE SIZE	Z (A.R.E.)	ZN (N.B.)
Z1960*	Cast Iron Body with White A.R.E. Interior and Top	2", 3", 4"	1,820.00	-
ZN1960†	Cast Iron Body with White A.R.E. Interior and Top, 8-1/2" Round N.B. Frame, and Full Grate with 1/2" Square Openings	2", 3, 4"	-	2,442.00
OUTLETS (SPECIFY PIPE SIZE IN INCHES AND TYPE OF OUTLET)				
OUTLET TYPE	PIPE SIZE/OUTLET TYPE		ADD	
IC	Inside Caulk	3IC, 4IC	N/C	N/C
NH	No-Hub	2NH, 3NH, 4NH	N/C	N/C
NL	Neo-Loc	2NL, 3NL, 4NL	N/C	N/C
ADD				
SUFFIXES			Z (A.R.E.)	ZN (N.B.)
-K	Anchor Flange		399.00	399.00
-KC	Anchor Flange with Seepage Holes and Clamp Collar		654.00	654.00
-P	1/2" Trap Primer Connection (See Z1023, NH Only)		271.00	271.00
-T	Square Frame and Round Grate with 1/4" Square Openings (ZN only)		-	341.00
-TC	Neo-Loc Test Cap Gasket (2", 3", 4" NL Bottom Outlet Only)		37.00	37.00
-2	1/2 Grate		N/C	N/C
-3	3/4 Grate		N/C	N/C
-4	Full Grate with Center Opening		248.00	248.00
-6	Grate with 6" Dia. x 6" High Funnel		677.00	867.00
-8	Grate with 8-7/8" x 3-5/8" x 3-3/4" High Oval Funnel		734.00	1,210.00
-11	Vandal-Proof Secured Grate (ZN only)		-	113.00
-15	Solid Loose Set Cover		138.00	239.00
-23	Aluminum Bucket		318.00	318.00
-25	White A.R.C. Bucket		745.00	745.00
-31	Stainless Steel Mesh Liner for Bucket		654.00	654.00
-32	Aluminum Dome Strainer		N/C	N/C
-33	White A.R.C. Anti-Splash Bottom Dome Strainer		440.00	440.00
DEDUCT				
			Z (A.R.E.)	ZN (N.B.)
-LD	Less Bottom Dome Strainer		(88.00)	(88.00)
-1	Less Grate		(271.00)	(294.00)
BEST SELLERS LIST PRICE				
Z1960-2NH				1,820.00
Z1960-2NH-2				1,820.00
Z1960-3NH				1,820.00
Z1960-3NH-2				1,820.00
Z1960-3NH-2-32				1,820.00
Z1960-3NH-2-KC				2,474.00
ZN1960-3NH-2				2,442.00
Z1960-3NL-2				1,820.00
Z1960-3NL-23-TC				2,175.00
ZN1960-3NL-2-23-K				3,159.00
ZN1960-3NL-2-23-KC				3,414.00

\*Regularly furnished unless otherwise specified.

Items designated as Best Sellers are most specified and are generally in stock for shipment.

⌚ This symbol denotes a product that is engineered to reduce installation and rework time.

For additional product information, please visit [www.zurn.com](http://www.zurn.com)

Patent [zurn.com/patents](http://zurn.com/patents)

# Z1970 9" DIAMETER SHALLOW A.R.C. SANI-FLOR RECEPTOR WITH 3" SUMP DEPTH

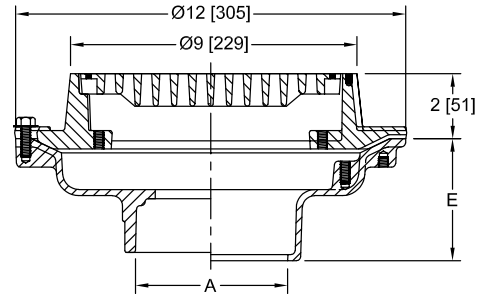


## ENGINEERING SPECIFICATION

Zurn Z1970 Sani-Flor receptor features 9" diameter x 3" deep cast iron body and round slotted, medium-duty grate with white acid resisting epoxy coated interior and top – complete with brass secondary strainer.

## NOTE

†Add 11/16" to 9" dimension when specifying ZN1970.



Dimensions in inches [mm]				Approximate Weight lb [kg]	Grate Open Area sq in [cm <sup>2</sup> ]
A Pipe Size/ Outlet Type	E Body Height Dimensions		Z		
	Z	ZN			
<b>No-Hub (NH)</b>					
2NH, 3NH, 4NH	5-3/4 [146]	6 [152]	14 [6]	18 [116]	
<b>Neo-Loc (NL)</b>					
2NL, 3NL, 4NL	4-7/8 [124]	5-1/8 [130]	14 [6]	18 [116]	

PREFIXES	DESCRIPTION	A PIPE SIZE	Z (A.R.C.)	ZN (N.B.)
Z1970*	Cast Iron Body with White A.R.C. Interior and Top	2", 3", 4"	1,757.00	-
ZN1970†	Cast Iron Body with White A.R.C. Interior and Top, 9" Round N.B. Frame, and Full Slotted Grate	2", 3, 4"	-	2,094.00

OUTLETS (SPECIFY PIPE SIZE IN INCHES AND TYPE OF OUTLET)				
OUTLET TYPE	PIPE SIZE/ OUTLET TYPE			ADD
NH	No-Hub	2NH, 3NH, 4NH	N/C	N/C
NL	Neo-Loc	2NL, 3NL, 4NL	N/C	N/C

SUFFIXES				
			Z (A.R.C.)	ZN (N.B.)
-K	Anchor Flange		399.00	399.00
-KC	Anchor Flange with Seepage Holes and Clamp Collar		654.00	654.00
-P	1/2" Trap Primer Connection		271.00	271.00
Ⓢ -TC	Neo-Loc Test Cap Gasket (2", 3", 4" NL Bottom Outlet Only)		37.00	37.00
-2	1/2 Grate		N/C	N/C
-3	3/4 Grate		N/C	N/C
-4	Full Grate with Center Opening		248.00	248.00
-5	Grate with 4" Dia. x 3-3/4" High Funnel		525.00	585.00
-7	Grate with 6-3/4" x 3" x 1" High Oval Funnel		525.00	585.00
-11	Vandal-Proof Secured Grate		230.00	230.00
-25	White A.R.C. Bucket		318.00	318.00
-31	Stainless Steel Mesh Liner for Bucket		427.00	427.00

BEST SELLER	LIST PRICE
Z1970-3NH-2	1,757.00

\*Regularly furnished unless otherwise specified.

Items designated as Best Sellers are most specified and are generally in stock for shipment.

Ⓢ This symbol denotes a product that is engineered to reduce installation and rework time.

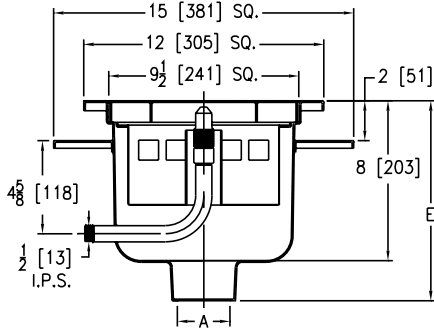
For additional product information, please visit [www.zurn.com](http://www.zurn.com)  
Patent [zurn.com/patents](http://zurn.com/patents)

## Z1982 12" X 12" STAINLESS STEEL SANI-FLOR CAN WASH DRAIN WITH 8" SUMP DEPTH



### ENGINEERING SPECIFICATION

Zurn Z1982 Sani-Flor can wash drain features 12" x 12" x 8" deep fabricated stainless steel body, bottom outlet, anchor pan, medium-duty, loose set grate, and standing sediment bucket. Comes complete with chrome-plated bronze spray nozzle and water supply assembly.



PREFIXES	DESCRIPTION	A PIPE SIZE	LIST PRICE	
Z1982*	All Type 304 Stainless Steel	3", 4"	5,853.00	
OUTLETS (SPECIFY PIPE SIZE IN INCHES AND TYPE OF OUTLET)				
OUTLET TYPE	PIPE SIZE/OUTLET TYPE		ADD	
NH	No-Hub		3NH, 4NH	N/C
SUFFIXES				
			ADD	
-C	Clamp Collar		259.00	
-WB	Water Supply Control Box (See Z1464)		7,350.00	
-11	Vandal-Proof Secured Grate		875.00	
-31	Stainless Steel Mesh Liner for Bucket		654.00	
BEST SELLERS			LIST PRICE	
Z1982-3NH			5,853.00	
Z1982-3NH-WB-31			13,857.00	
Z1982-3NL-31			6,507.00	

Dimensions in inches [mm]		Approximate Weight lb [kg]	Grate Open Area sq in [cm <sup>2</sup> ]
A Pipe Size/Outlet Type	E Body Height Dimensions		
No-Hub (NH)			
3NH, 4NH	10 [254]	45 [20]	20 [129]

## Z1995 24" X 16" A.R.C. SANI-FLOR RECEPTOR WITH 17" SUMP DEPTH

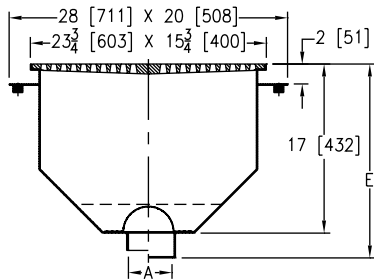


### ENGINEERING SPECIFICATION

Zurn Z1995 Sani-Flor receptor features 24" x 16" x 17" deep, white acid resisting epoxy coated interior, fabricated steel body, integral anchor flange, and rectangular square holed, heavy-duty grate - complete with aluminum anti-splash interior bottom dome strainer.

### NOTE

†Add 3/8" to 15-3/4" x 23-3/4" and 3/16" to 'E' dimensions when specifying ZN1995.



PREFIXES	DESCRIPTION	A PIPE SIZE	Z (A.R.C.)	ZN (N.B.)
Z1995*	Fabricated Steel Body with White A.R.C. Interior	3", 4", 6"	13,061.00	-
ZN1995†	Fabricated Steel Body with White A.R.C. Interior, 16-1/8" x 24-1/8" N.B. Frame and Full Grate with 1/4" Square Openings	3", 4", 6"	-	16,712.00
OUTLETS (SPECIFY PIPE SIZE IN INCHES AND TYPE OF OUTLET)				
OUTLET TYPE	PIPE SIZE/OUTLET TYPE		ADD	
NH	No-Hub		3NH, 4NH, 6NH	N/C
SUFFIXES				
			Z (A.R.C.)	ZN (N.B.)
-KC	Anchor Flange with Seepage Holes and Clamp Collar		777.00	777.00
-P	1/2" Trap Primer Connection (See Z1023)		525.00	525.00
-2	1/2 Grate		N/C	N/C
-3	3/4 Grate		N/C	N/C
-6	Grate with 6" Dia. x 6" High Funnel		677.00	867.00
-25	White A.R.C. Bucket		1,654.00	1,654.00
BEST SELLER			LIST PRICE	
Z1995-4NH			13,061.00	

Dimensions in inches [mm]		Approximate Weight lb [kg]	Grate Open Area sq in [cm <sup>2</sup> ]
A Pipe Size/Outlet Type	E Body Height Dimensions		
No-Hub (NH)			
3NH, 4NH, 6NH	18-3/4 [476]	19 [483]	70 [452]

# TECHNICAL INFORMATION

TECHNICAL INFO - ZURN OUTLET PIPE CONNECTIONS	<b>328</b>
TECHNICAL INFO - TOP LOADING CLASSIFICATION	<b>329</b>
TECHNICAL INFO - ZURN MATERIALS AND FINISHES	<b>330</b>
ALPHANUMERIC INDEX	<b>332</b>
GENERAL TERMS AND CONDITIONS	<b>336</b>



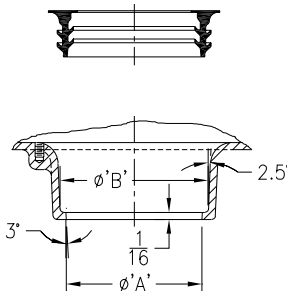
# TECHNICAL INFO - ZURN OUTLET PIPE CONNECTIONS

## INSIDE CAULK (IC)

Often specified where drain body is positioned on pipe, bottom of outlet is sealed with oakum and connection is then completed according to local plumbing codes.

## INSIDE GASKET (IG)

The IG connections utilize an inside caulk drain body and a Zurn "Sealtrol" gasket. This connection is only recommended for basement or ground floor applications.

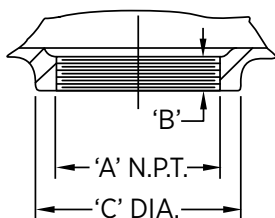


I.C. with Sealtrol Gasket (IG) Inside Caulk (IC)

OUTLETS	'A'	'B'	'C'
2. [51] I.C. Outlet	2-5/8 [67]	3-1/16 [78]	-
3. [76] I.C. Outlet	3-3/4 [95]	4-3/16 [106]	-
4. [102] I.C. Outlet	4-3/4 [121]	5-3/16 [132]	-
5. [127] I.C. Outlet	5-3/4 [146]	6-3/16 [157]	-
6. [152] I.C. Outlet	6-3/4 [172]	7-3/16 [183]	-
8. [203] I.C. Outlet	8-7/8 [226]	9-1/2 [241]	-

## IRON PIPE (IP)

Zurn Iron Pipe Threaded connection is an old industry standard. The female (NPT) threaded outlet is often specified on industrial and institutional applications.

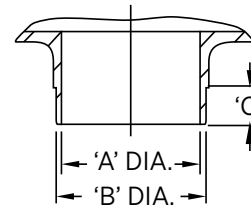


I.P. (Threaded/N.P.T.)

OUTLETS	'A'	'B'	'C'
2. [51] N.P.T. Outlet	2 [51]	9/16 [14]	3-1/4 [83]
3. [76] N.P.T. Outlet	3 [76]	3/4 [19]	4-1/2 [114]
4. [102] N.P.T. Outlet	4 [102]	15/16 [24]	5-5/8 [143]
5. [127] N.P.T. Outlet	5 [127]	15/16 [24]	6-11/16 [170]
6. [152] N.P.T. Outlet	6 [152]	1 [25]	7-3/4 [197]
8. [203] N.P.T. Outlet	8 [203]	1-1/8 [29]	9-3/8 [238]

## NO-HUB (NH)

The most widely used connection. A No-Hub connection is achieved by butting No-Hub soil pipe or plastic pipe to the bottom of drain and securing it with a NH joint clamp. (Clamp furnished by others.)



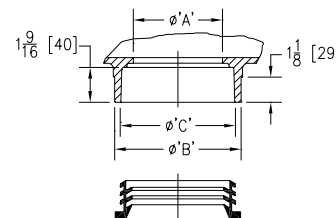
No-Hub (NH)

OUTLETS	'A'	'B'	'C'
2. [51] No-Hub Outlet	2 [51]	2-3/8 [60]	1-9/16 [40]
3. [76] No-Hub Outlet	3 [76]	3-3/8 [86]	1-9/16 [40]
4. [102] No-Hub Outlet	4 [102]	4-3/8 [111]	1-9/16 [40]
5. [127] No-Hub Outlet	4-15/16 [126]	5-5/16 [135]	2-1/16 [52]
6. [152] No-Hub Outlet	5-15/16 [151]	6-5/16 [160]	2-1/16 [52]
8. [203] No-Hub Outlet	8 [203]	8-3/8 [213]	2-1/16 [52]
10. [254] No-Hub Outlet	10 [254]	10-9/16 [268]	2-1/16 [52]
12. [305] No-Hub Outlet	12 [305]	12-9/16 [319]	2-1/16 [52]

## NEO-LOC (NL)

Zurn Neo-Loc is a unique labor-saving compression gasketed connection designed to simply push on the stub end of the pipe. The Neo-Loc drain body and gasket can be utilized with plastic, steel, No-Hub and service weight soil pipe. A unique pipe stop cast in each Zurn Neo-Loc drain body ensures a proper fit.

**Note:** Not recommended for roof drain applications due to the watertight integrity of the Neo-Loc connection to the leader pipe being dependent upon adequate leader pipe support and accurate perpendicularity of leader pipe into Neo-Loc gasket.



"Neo-Loc" (NL)

OUTLETS	'A'	'B'	'C'
2. [51] Neo-Loc Outlet	2 [51]	3-3/8 [86]	3 [76]
3. [76] Neo-Loc Outlet	3 [76]	4-3/8 [111]	4 [102]
4. [102] Neo-Loc Outlet	4 [102]	5-1/2 [140]	5-1/8 [130]
2. [51] NL w/-TC	2 [51]	3-3/8 [86]	3 [76]
3. [76] NL w/-TC	3 [76]	4-3/8 [111]	4 [102]
4. [102] NL w/-TC	4 [102]	5-1/2 [140]	5-1/8 [130]

**Special Note:** Zurn "Neo-Loc" and "Sealtrol" gaskets are designed for use exclusively with Zurn drainage products. They are not sold separately and all warranties either expressed or implied would be forfeited if used in other than a Zurn drainage product.

## TECHNICAL INFO - TOP LOADING CLASSIFICATION

Selection of a Zurn Floor Drain should be based on the load factor and the anticipated traffic. Many of Zurn's cast iron grates may be furnished in Duresist iron when increased working load requirements are necessary. Specify Duresist grate (-DG) when required or contact your Zurn representative when special applications are necessary.

Zurn drains are rated as follows: (Reference ASME Standard A112.6.3M)

### 6.1 – LOADING CLASSIFICATIONS

Grates and top rims shall be designed to meet the following loading classifications.

#### 6.1.1 – LIGHT DUTY

All grates having safe live load (as calculated in para. 6.2.5) under 2000 lb. [900 kg].

#### 6.1.2 – MEDIUM DUTY

All grates having safe live load (as calculated in para. 6.2.5) between 2000 lb. [900 kg] and 4999 lb. [2250 kg].

#### 6.1.3 – HEAVY DUTY

All grates having safe live load (as calculated in para. 6.2.5) between 5000 lb. [2250 kg] and 7499 lb. [3375 kg].

#### 6.1.4 – EXTRA HEAVY DUTY

All grates having safe live load (as calculated in para. 6.2.5) between 7500 lb. [3375 kg] and 10,000 lb. [4500 kg].

#### 6.1.5 – SPECIAL DUTY

Grates having safe live load (as calculated in para. 6.2.5) over 10,000 lb. [4500 kg] shall be considered special and treated accordingly.

### 6.2 – TEST PROCEDURE FOR GRATE LOADING

Live Load – Requirements listed in 6.1 through 6.1.5 shall be determined as follows:

\*Safe live load rating of grates is for general classification purposes only.  
For the actual safe live load of any given grate, contact your Zurn representative.

Note: ZB and ZN 400 Series drain head assemblies are rated for light-duty applications only.

### 6.2.1 – LOAD CLASSIFICATIONS

Load classifications as stated in 6.1 shall be determined by laboratory tests.

### 6.2.2 – PLATEN SIZE

A 3.5 in. [89 mm] diameter platen shall be applied to the center of the grate specimen.

### 6.2.3 – LOADING

Loading shall be applied slowly so that point of failure can be observed.

### 6.2.4 – POINT OF FAILURE

(a) Brittle Materials (Cast Iron). The load (in pounds or kilograms) at which the first fracture on any part of the specimen appears.

(b) Ductile Material. The load which the permanent set (at the point of loading) is greater than 2% of the longest transverse dimension of the specimen.

### 6.2.5 – GRATE CLASSIFICATION

The maximum safe live load is computed by dividing the load at failure by two.

INTRO

ROOF DRAINS

FLOOR DRAINS

T, P, BW VALVES

INTERCEPTORS

CARRIERS

HYDRANTS

CLEANOUTS

WHA

SS DRAINS

SANI-FLOOR

TECH INFO

## ZURN CAST IRON

Conforms to ASTM Specification for Gray Iron Castings A48, Class 25. It is produced utilizing the latest equipment and newest developed foundry techniques. Zurn cast iron castings are characterized by a high degree of strength, corrosion-resistance, workmanship, and finish.

## ZURN DURESIST

A ductile iron complying with ASTM Specification A536, Grade 60-45-10. Its physical properties make it ideal for grates and drain components that are subjected to severe and heavy duty service. Its chemical characteristics make possible a degree of corrosion-resistance far superior to that of cast iron. Zurn Duresist exhibits remarkable stress qualities, possessing a yield strength in the same range as that of cast carbon steel, while its ability to absorb the shock loading of traffic areas is unequalled, making its use ideal for all areas where extra heavy duty service is a requirement – whether indoors or outdoors – in chemical and metal processing plants or other industrial applications.

## ZURN DURA-COAT

A specially formulated paint designed to resist cracking and chipping. Dura-Coat is a latex-based coating developed to be used with cast iron substrate. Dura-Coat is designed, per ASME standards, to protect the product "during normal handling and warehousing prior to installation".

## ZURN GALVANIZED CAST IRON

A process of applying heavy zinc coating to a thoroughly cleaned iron casting. This coating contains 95% zinc. Zurn galvanizing can be supplied on all cast iron parts. It increases longevity and is recommended wherever the discoloration caused by oxidation of cast iron is objectionable. Galvanize should be used in industrial areas where corrosive atmosphere may be encountered.

## CADMIUM PLATED CAST IRON

A process of applying a heavy cadmium coating to a thoroughly cleaned iron casting. This coating contains 95% cadmium in a cold applied process. Cadmium plating can be supplied on all cast iron parts. It increases longevity and is recommended wherever the discoloration caused by oxidation of cast iron is objectionable.

## PROPERTIES OF BASIC DUCTILE VERSUS CAST IRON

METAL	CAST IRON	DUCTILE IRON
Specification	Class 25	60-45-10
Tensile Strength (PSI)	25/30,000	60/80,000
Yield Strength (PSI)	NIL	45/60,000
Elongation	NIL	10% to 25%
Modules of Elasticity	16 x 10	24 x 10

## ZURN BRONZE

A semi-red brass conforming to ASTM Specification for Copper Alloy Sand Casting B584, Copper Alloy No. 844. The exposed surface is normally supplied possessing a satin sheen texture which allows it to blend unobtrusively with surrounding finishes. When the application requires, Zurn Bronze can be polished to a high gloss.

## ZURN NICKEL BRONZE

A unique material that is ideally suited to traffic-bearing grates and strainers in finished floor areas. It affords the combined advantage of greater strength, better appearance, and longer service life at the same price as chrome plated brass. Superior ductility and shock resistance are the result of a copper nickel alloy (Copper Alloy 997) having a wearing surface similar in appearance to satin chrome plate; however, because it does not have a plated surface it cannot chip, peel, crack, or wear off. It is highly resistant to corrosion; however, the process of oxidation will naturally occur over time with most metals. Methods have been developed to prevent, preserve, and restore metals affected by oxidation.

## CHROME PLATED BRONZE

Ideal for installation in walls, gutters, and other areas where a bright decorative finish is desired, and is not subject to the abrasive action of foot and other traffic. It is not recommended for installations where the abrasion will eventually wear through and cause peeling. It should always be specified for swimming pool fittings due to its high resistance to the halogens (chlorine, etc.), encountered in swimming pool sanitation.

## ALUMINUM

Casting grade 319. This is an alloy containing both silicon and copper. It is a solid cast metal in a pleasing light gray color. The light weight, coupled with its exceptional strength and corrosion resistance, makes it ideal for drain components such as sediment buckets and strainers. When used with acid-resisting porcelain enamel coated drains, the possibility of chipping is minimized.

## ZURN STAINLESS STEEL

Castings are normally produced in Type CF8 (304) which is an 18-8 Austenitic Stainless possessing excellent corrosion resistant qualities. For some applications where conditions demand, Type CF8M (316) stainless steel can be supplied. Items formed from stainless steel sheet and other stainless steel products are regularly furnished in Type 304 with 316 as an optional material.

## A.R.C.

Acid Resisting Epoxy Coating is a baked-on powder coating, which produces a smooth, hard, high gloss finish. This epoxy based coating offers high impact resistance and excellent life expectancy in all drainage applications.

## A.R.E.

Acid Resisting Porcelain Enamel is a substantially vitreous or glassy inorganic coating bonded to metal by fusion at a high temperature above 800°F. This coating offers excellent acid, abrasion, and wear resistance. The coating is extremely hard and is the ultimate for sanitation in drainage applications. Zurn A.R.E. coating conforms to the requirements of F.D.A. (Food and Drug Administration) Regulation 21-CFR5 117.1360.

## NOTES

## ALPHANUMERIC INDEX

⌚ EZ1™ TECHNOLOGY	10	⌚ Z1231EZ UNIVERSAL LAVATORY CARRIER – WALL LAVATORIES	246	⌚ ZF1202-U EZCARRY® ONE-PIECE FOOT/FACEPLATE VERTICAL SIPHON JET NO-HUB WATER CLOSET CARRIER SYSTEM	219
⌚ Z100F FLOFORCE™	7	⌚ Z1320XL-EZ ECOLOTROL CERAMIC DISC WALL HYDRANT – ENCASED, NON-FREEZE, ANTI-SIPHON, AUTOMATIC DRAINING	257	⌚ ZN1201-N EZCARRY® ADJUSTABLE HORIZONTAL SIPHON JET – NO-HUB NARROW WALL SYSTEM (9-3/8" DEPTH FRONT TO BACK)	212
⌚ Z130S AND Z131S SIPHONIC ROOF DRAINS	9	⌚ Z1322XL-EZ ECOLOTROL CERAMIC DISC WALL HYDRANT – EXPOSED, NON-FREEZE, ANTI-SIPHON, AUTOMATIC DRAINING	258	⌚ ZN1202-N EZCARRY® ADJUSTABLE VERTICAL SIPHON JET – NO-HUB NARROW WALL SYSTEM	221
⌚ Z130S SIPHONIC PRIMARY ROOF DRAIN	34	⌚ Z1327-EZ NARROW WALL HOT/COLD HYDRANT WITH MOUNTING BRACKETS – ENCASED, MODERATE CLIMATE	259	⌚ ZURN TOP-SET® DECK PLATE	12
⌚ Z131S SIPHONIC OVERFLOW ROOF DRAIN	34	⌚ Z1332XL-EZ ECOLOTROL CERAMIC DISC WALL HYDRANT – ENCASED, ANTI-SIPHON, AUTOMATIC DRAINING, MODERATE CLIMATE	260	100C 15" DIAMETER DEEP SUMP DUAL OUTLET ROOF DRAIN - LOW SILHOUETTE DOME	22
⌚ Z163 15" DIAMETER COMBINATION MAIN ROOF AND OVERFLOW DRAIN WITH LOW SILHOUETTE DOMES AND DOUBLE TOP-SET® DECK PLATE	40	⌚ Z1350-EZ NARROW WALL HYDRANT WITH MOUNTING BRACKETS – ENCASED, MODERATE CLIMATE	262	ABBREVIATIONS USED IN THIS CUSTOMER GUIDE	16
⌚ Z164 12" DIAMETER COMBINATION MAIN ROOF AND OVERFLOW DRAIN WITH LOW SILHOUETTE DOMES AND DOUBLE TOP-SET® DECK PLATE	41	⌚ Z1400B-DP BODY ASSEMBLY W/ "TYPE B" COVER AND DECK PLATE	275	ALPHANUMERIC INDEX	332
⌚ Z165 8-3/8" DIAMETER COMBINATION MAIN ROOF AND OVERFLOW DRAIN WITH LOW SILHOUETTE DOMES AND DOUBLE TOP-SET® DECK PLATE	42	⌚ Z1400-BZ1 DP BODY ASSEMBLY W/ "TYPE B" COVER, DECK PLATE AND EZ1™ TECHNOLOGY	273	CARRIER – APPLICATION INDEX	194
⌚ Z400-18 LEVELING RING	71	⌚ Z1400-BZ1 FLOOR CLEANOUT WITH "TYPE B" COVER AND EZ1™ TECHNOLOGY	271	CARRIER – HOW TO SPECIFY	194
⌚ Z400-SR FLOOR DRAIN STABILIZER RING	71	⌚ Z1400S-DP BODY ASSEMBLY W/ "TYPE S" COVER AND DECK PLATE	275	CARRIER – PRODUCT COMPLIANCE	194
⌚ Z415B-DP BODY ASSEMBLY W/ "TYPE B" STRAINER AND DECK PLATE	77	⌚ Z1400-SZ1 BODY ASSEMBLY W/ "TYPE S" COVER AND EZ1™ TECHNOLOGY	272	CARRIER – TECHNICAL DATA	194
⌚ Z415-BZ1 BODY ASSEMBLY W/ "TYPE B" STRAINER AND EZ1™ TECHNOLOGY	73	⌚ Z1400-SZ1-DP BODY ASSEMBLY W/ "TYPE S" COVER, DECK PLATE AND EZ1™ TECHNOLOGY	274	CARRIER – TECHNICAL DATA	195
⌚ Z415-BZ1-DP BODY ASSEMBLY W/ "TYPE B" STRAINER, DECK PLATE AND EZ1™ TECHNOLOGY	75	⌚ Z1900-RL 12" X 12" X 6" REPLACEMENT FLOOR SINK LINER	312	CAST IRON EZ1™ NOMENCLATURE DECODER	56
⌚ Z415S-DP BODY ASSEMBLY W/ "TYPE S" STRAINER AND DECK PLATE	78	⌚ Z1901-RL 12" X 12" X 8" REPLACEMENT FLOOR SINK LINER	314	CLEANOUTS – APPLICATION INDEX	270
⌚ Z415-SZ1 BODY ASSEMBLY W/ "TYPE S" STRAINER AND EZ1™ TECHNOLOGY	74	⌚ Z1902-RL 12" X 12" X 10" REPLACEMENT FLOOR SINK LINER	316	CUSTOMER GUIDE INSTRUCTIONS	15
⌚ Z415-SZ1-DP BODY ASSEMBLY W/ "TYPE S" STRAINER, DECK PLATE AND EZ1™ TECHNOLOGY	76	⌚ Z1903 SANI-FLORECEPTOR INSTALLATION STABILIZER	316	FLOOR DRAINS - APPLICATION INDEX	55
⌚ Z499B ROUND PROTECTIVE COVER FOR FLOOR DRAINS	72	⌚ Z1910-RL 8" X 8" X 6" REPLACEMENT FLOOR SINK LINER	318	FLOOR DRAINS - GENERAL INFORMATION	55
⌚ Z499S SQUARE PROTECTIVE COVER FOR FLOOR DRAINS	72	⌚ ZE1201-H ELONGATED BARREL FITTING 41" [1042 MM] – EZCARRY® ADJUSTABLE HORIZONTAL HIGH PERFORMANCE SIPHON JET HUB AND SPIGOT WATER CLOSET CARRIER SYSTEM	208	GENERAL TERMS AND CONDITIONS	336
⌚ Z1035 FLOOR DRAIN INSTALLATION STABILIZER	150	⌚ ZE1201-N 4 ELONGATED BARREL FITTING 38" [965 MM] – EZCARRY® ADJUSTABLE HORIZONTAL HIGH PERFORMANCE SIPHON JET NO-HUB WATER CLOSET CARRIER SYSTEM	206	GREASE INTERCEPTORS – OPERATION	159
⌚ Z1035-Q STRUCTURAL DECK DRAIN STABILIZER	150	⌚ ZE1203-H ADJUSTABLE HORIZONTAL SIPHON JET WITH ELONGATED FITTING – HUB AND SPIGOT SERIES	228	GREASE INTERCEPTORS – PURPOSE	158
⌚ Z1036 FLOOR DRAIN INSTALLATION STABILIZER	151	⌚ ZE1203-N ADJUSTABLE HORIZONTAL SIPHON JET WITH ELONGATED FITTING – NO-HUB SERIES	226	GREEN ROOFING DRAINAGE SOLUTIONS	13
⌚ Z1201-FMBO EZCARRY® ADJUSTABLE HORIZONTAL HIGH PERFORMANCE SIPHON JET WATER CLOSET CARRIER SYSTEM WITH FLOOR MOUNT BACK OUTLET FIXURE SUPPORT	198	⌚ ZF1201-N EZCARRY® HORIZONTAL SIPHON JET ONE-PIECE CARRIER – NO-HUB SERIES	211	HYDRANTS - APPLICATION INDEX	254
⌚ Z1201-H EZCARRY® ADJUSTABLE HORIZONTAL HIGH PERFORMANCE SIPHON JET HUB AND SPIGOT WATER CLOSET CARRIER SYSTEM	202	⌚ ZF1201-U ONE-PIECE FOOT/FACEPLATE – EZCARRY® HORIZONTAL HIGH PERFORMANCE SIPHON JET NO-HUB WATER CLOSET CARRIER SYSTEM	210	INTERCEPTORS – APPLICATION INDEX	158
⌚ Z1201-N EZCARRY® ADJUSTABLE HORIZONTAL HIGH PERFORMANCE SIPHON JET NO-HUB WATER CLOSET CARRIER SYSTEM	200	⌚ ZF1202-N EZCARRY® VERTICAL SIPHON JET ONE-PIECE CARRIER – NO-HUB SERIES	220	INTERCEPTORS – GENERAL INFORMATION	158
⌚ Z1202-FMBO EZCARRY® ADJUSTABLE VERTICAL HIGH PERFORMANCE SIPHON JET WATER CLOSET CARRIER SYSTEM WITH FLOOR MOUNT BACK OUTLET FIXURE SUPPORT	199			OIL INTERCEPTORS – APPLICATION INDEX	180
⌚ Z1202-H EZCARRY® ADJUSTABLE VERTICAL HIGH PERFORMANCE SIPHON JET – HUB AND SPIGOT SERIES	215			OIL INTERCEPTORS – GENERAL PRODUCT INFORMATION	180
⌚ Z1202-N EZCARRY® ADJUSTABLE VERTICAL HIGH PERFORMANCE SIPHON JET – NO-HUB SERIES	213			ROOF DRAIN - APPLICATION INDEX	18
⌚ Z1222-CB CARRIER BANK	14			ROOF DRAIN - GENERAL INFORMATION	18
⌚ Z1231EZ UNIVERSAL LAVATORY CARRIER	11			ROOF DRAIN - PRODUCT COMPLIANCE	18

## ALPHANUMERIC INDEX

Z9A-PHIX UNDER SINK ACID NEUTRALIZATION CARTRIDGE SYSTEM	192	Z197 RISER SLEEVE	49	Z415 BODY ASSEMBLY WITH "TYPE N" STRAINER	90
Z9-PHIX-MEDIA PHIX MEDIA 5 GALLON PAIL	192	Z198 PARAPET SCUPPER SLEEVE	49	Z415 BODY ASSEMBLY WITH "TYPE SC" STRAINER	93
Z100 15" DIAMETER MAIN ROOF DRAIN WITH LOW SILHOUETTE DOME	20	Z199-DC DOWNSPOUT COVER	52	Z415 BODY ASSEMBLY WITH "TYPE SH" STRAINER	94
Z100F FLOFORCE™ HIGH PERFORMANCE ROOF DRAIN - LOW SILHOUETTE DOME	19	Z199 DOWNSPOUT NOZZLE	50	Z415 BODY ASSEMBLY WITH "TYPE S" STRAINER	91
Z101 HIGH CAPACITY 20" DIAMETER MAIN ROOF DRAIN WITH LOW SILHOUETTE DOME	21	Z250H FOG-CEPTOR® INTERCEPTOR	160	Z420 DEEP SHANK FLOOR AND SHOWER DRAIN FOR MARBLE AND GRANITE APPLICATIONS	95
Z104 15" DIAMETER DEEP SUMP ROOF DRAIN WITH LOW SILHOUETTE DOME	23	Z300 THOROF LUSH DRAIN	57	Z450 DRUM TRAP DRAIN WITH "TYPE B" STRAINER	96
Z105 CONTROL-FLO™ ROOF DRAIN WITH PARABOLIC WEIR	24	Z310 THOROF LUSH DRAIN	57	Z451 SHALLOW TRAP DRAIN WITH "TYPE B" STRAINER	97
Z107 20" WIDE DECK FLANGE ROOF DRAIN	25	Z315 VANDAL-PROOF ACCESS DRAIN	58	Z453 DEEP SEAL TRAP DRAIN WITH "TYPE B" STRAINER	98
Z108 15" DIAMETER DECK RECEPTOR DRAIN	26	Z319 THOROF LUSH DRAIN - LARGE CAPACITY	58	Z455 TRAP DRAIN WITH FLOOR CLEANOUT WITH "TYPE B" STRAINER	99
Z110 15" GREEN ROOF DRAIN WITH PERFORATED SCREEN ASSEMBLY, AND REMOVABLE COVER WITH LIFT HANDLE	27	Z320 REFRIGERATOR DRAIN	59	Z456 DEEP SEAL TRAP DRAIN WITH FLOOR CLEANOUT AND CLAMP COLLAR WITH "TYPE B" STRAINER	100
Z110-AI GREEN ROOF DRAIN WITH PERFORATED SCREEN ASSEMBLY, REMOVABLE COVER WITH LIFT HANDLE, AND AUXILIARY INLET	28	Z325 INDIRECT WASTE FUNNEL WITH INTEGRAL BACKWATER VALVE	59	Z460B SHALLOW BODY FLOOR DRAIN WITH SIDE OUTLET AND "TYPE B" STRAINER	101
Z111 12" DIAMETER FLAT DECK ROOF DRAIN FOR METAL DECKS	29	Z326 INDIRECT WASTE FUNNEL	60	Z461 6" SQUARE MODULAR NON-ADJUSTABLE FLOOR DRAIN WITH CLAMPING FRAME	102
Z121 12" DIAMETER ROOF DRAIN LOW SILHOUETTE DOME	30	Z328 FUNNEL CONVERTING ASSEMBLY	60	Z503 15" HEAVY-DUTY AREA DRAIN	102
Z122 12" DIAMETER DECK RECEPTOR DRAIN	31	Z329 FUNNEL CONVERTING ASSEMBLY	61	Z505 12" HEAVY-DUTY DRAIN	103
Z125 8-3/8" DIAMETER ROOF DRAIN LOW SILHOUETTE DOME	32	Z349 TERRACE PLANTING AREA DRAIN	61	Z507 7" MEDIUM-DUTY DRAIN	104
Z127 8-1/2" DIAMETER DECK RECEPTOR DRAIN	33	Z350 PLANTING AREA DRAIN	62	Z508 9" EXTRA-HEAVY-DUTY DRAIN	105
Z150 14" SQUARE TOP PROM-DECK DRAIN WITH HEEL-PROOF GRATE AND ROTATABLE FRAME	36	Z355 PRISON CELL FLOOR DRAIN	62	Z509 12-1/4" HEAVY-DUTY DRAIN	106
Z150F FLOFORCE™ HIGH PERFORMANCE PROMENADE DECK DRAIN WITH ROTATABLE FRAME AND HEEL-PROOF GRATE	35	Z400 "TYPE BL" ROUND STRAINER WITH DEX-O-TEX FLANGE	64	Z511 9" HEAVY-DUTY DRAIN	107
Z154 12" SQUARE TOP PROM-DECK DRAIN WITH HEEL-PROOF GRATE AND ROTATABLE FRAME	37	Z400 "TYPE B" ROUND STRAINER WITH HEEL-PROOF SQUARE OPENINGS	63	Z512 12-1/4" HEAVY-DUTY DRAIN	108
Z158 10" SQUARE TOP PROM-DECK DRAIN WITH HEEL-PROOF GRATE AND ROTATABLE FRAME	38	Z400 "TYPE C" ROUND HINGED STRAINER	64	Z513 9" SQUARE HINGED HEAVY-DUTY DRAIN	109
Z160 135° SCUPPER DRAIN	39	Z400 "TYPE E" ROUND STRAINER WITH INTEGRAL FUNNEL	65	Z520 9-1/4" ADJUSTABLE HEAVY-DUTY DRAIN	110
Z161 3" X 10" OBLIQUE SCUPPER DRAIN	39	Z400 "TYPE G" ROUND STRAINER WITH DOME	65	Z521 12-1/4" DIAMETER ADJUSTABLE HEAVY-DUTY DRAIN	111
Z180 4-1/2" DIAMETER CORNICE DRAIN WITH BOTTOM OUTLET	42	Z400 "TYPE H" ROUND STRAINER WITH CLAMP DEVICE	66	Z526 12-1/4" ADJUSTABLE HEAVY-DUTY DRAIN	112
Z181 6" DIAMETER CORNICE DRAIN WITH BOTTOM OUTLET	43	Z400 "TYPE I" ROUND STRAINER WITH RAISED LIP	66	Z530 9" MEDIUM-DUTY WIDE FLANGE DECK DRAIN	112
Z182 4-1/2" DIAMETER CORNICE DRAIN WITH 90° OUTLET	43	Z400 "TYPE J" RECTANGULAR STRAINER WITH HEEL-PROOF SLOTTED OPENINGS	67	Z531 9" ADJUSTABLE FRAME WIDE FLANGE MEDIUM-DUTY DECK DRAIN	113
Z185 6" DIAMETER CORNICE DRAIN WITH 90° OUTLET	44	Z400 "TYPE K" ANGULAR STRAINER	67	Z532 12-1/4" DIAMETER WIDE FLANGE HEAVY-DUTY FLOOR DRAIN	113
Z187 6" X 7" OR 8" X 12" OBLIQUE SCUPPER DRAIN	44	Z400 "TYPE M" ROUND STRAINER WITH SLOTTED OPENINGS AND SUR-SET BUCKET	68	Z533 9" DIAMETER HEAVY-DUTY PARKING DECK DRAIN WITH SUPPORT FLANGE	114
Z189 5" X 6" X 11" SCUPPER DRAIN	45	Z400 "TYPE N" ROUND STRAINER WITH DEEP FLANGED GRATE	68	Z534 12-1/4" DIAMETER HEAVY-DUTY PARKING DECK DRAIN WITH SUPPORT FLANGE	114
Z190 VERTICAL EXPANSION JOINT	45	Z400 "TYPE SC" SQUARE STRAINER WITH SOLID HINGED COVER	70	Z535 HEAVY-DUTY PARKING STRUCTURE DRAIN	115
Z191 5" X 4" X 24" DOWNSPOUT BOOT	46	Z400 "TYPE SH" SQUARE HINGED STRAINER	70	Z536 15-3/8" DIAMETER HEAVY-DUTY PARKING DECK DRAIN WITH SUPPORT FLANGE	115
Z191-RD 4" X 18" DOWNSPOUT BOOT	46	Z400 "TYPE S" SQUARE STRAINER	69	Z537 15-7/8" SQUARE TOP HEAVY-DUTY PARKING DECK DRAIN WITH SUPPORT FLANGE	116
Z192 4" X 3" DOWNSPOUT BOOT	47	Z400-U ADJUSTABLE STRAINER EXTENSION	71	Z539 12-1/4" HEAVY-DUTY DRAIN WITH DEEP SUMP	116
Z193 VANDAL-PROOF HOODED VENT CAP	47	Z415 BODY ASSEMBLY WITH HEEL-PROOF "TYPE B" STRAINER	79	Z540 12-1/4" MEDIUM-DUTY DRAIN WITH SUR-SET BUCKET	117
Z195 VENT STACK FLASHING SLEEVE	48	Z415 BODY ASSEMBLY WITH "TYPE BL" STRAINER	81	Z541 12-1/4" DIAMETER HEAVY-DUTY DRAIN	118
Z196 VENT STACK FLASHING SLEEVE	48	Z415 BODY ASSEMBLY WITH "TYPE C" STRAINER	82	Z545 16" DIAMETER HEAVY-DUTY DRAIN	119
		Z415 BODY ASSEMBLY WITH "TYPE E" STRAINER	83	Z546 21-1/2" DIAMETER EXTRA HEAVY-DUTY DRAIN	120
		Z415 BODY ASSEMBLY WITH "TYPE G" STRAINER	84	Z547 21" DIAMETER EXTRA HEAVY-DUTY HEEL-PROOF PARKING DECK DRAIN WITH SUPPORT FLANGE	120
		Z415 BODY ASSEMBLY WITH "TYPE H" STRAINER	85	Z550 9" DIAMETER MEDIUM-DUTY DRAIN	121
		Z415 BODY ASSEMBLY WITH "TYPE I" STRAINER	86		
		Z415 BODY ASSEMBLY WITH "TYPE J" HEEL-PROOF STRAINER	87		
		Z415 BODY ASSEMBLY WITH "TYPE K" STRAINER	88		
		Z415 BODY ASSEMBLY WITH "TYPE M" STRAINER AND SUR-SET BUCKET	89		

## ALPHANUMERIC INDEX

Z551 9" DIAMETER MEDIUM-DUTY DRAIN	122	Z1099 BACKWATER VALVE BALL FLOAT TYPE	155	Z1202-N-XB EZCARRY® BARIATRIC CARRIER – 1000 LB ADJUSTABLE VERTICAL SIPHON JET – NO-HUB SERIES	217
Z554 9" MEDIUM-DUTY DRAIN WITH SUR-SET BUCKET	123	Z1165 100 PPM GREASE INTERCEPTOR SYSTEM WITH SOLIDS INTERCEPTOR	161	Z1202-N-XH EZCARRY® EXTRA HEAVY-DUTY 750 LB ADJUSTABLE VERTICAL SIPHON JET – NO-HUB SERIES	218
Z556 8" ADJUSTABLE HEAVY-DUTY DRAIN	123	Z1170 GREASE INTERCEPTOR	162	Z1203-H ADJUSTABLE HORIZONTAL SIPHON JET – HUB AND SPIGOT SERIES	224
Z566 12" SQUARE OPEN TOP DRAIN	124	Z1170-UN GREASE INTERCEPTOR WITH USER NOTIFICATION SYSTEM	163	Z1203-N ADJUSTABLE HORIZONTAL SIPHON JET – NO-HUB SERIES	222
Z575 6" X 12" MEDIUM-DUTY GUTTER DRAIN	124	Z1171 LOW PROFILE GREASE INTERCEPTOR	165	Z1204-H ADJUSTABLE VERTICAL SIPHON JET – HUB AND SPIGOT SERIES	230
Z609 9" SQUARE HEAVY-DUTY DRAIN	125	Z1171-TD LOW PROFILE GREASE INTERCEPTOR WITH ACCUMULATING CONE AND FLOW CONTROL TEE	166	Z1204-N ADJUSTABLE VERTICAL SIPHON JET – NO-HUB SERIES	232
Z610 12-1/2" HEAVY-DUTY DRAIN	126	Z1172 LARGE CAPACITY GREASE INTERCEPTOR	167	Z1207-N ADJUSTABLE HORIZONTAL HIGH ROUGH-IN SIPHON JET – NO-HUB	234
Z611 9" MEDIUM-DUTY DRAIN	127	Z1172-UN LARGE CAPACITY GREASE INTERCEPTOR WITH USER NOTIFICATION SYSTEM	168	Z1208-H VERTICAL SIPHON JET WATER CLOSET SUPPORT SYSTEM – HUB AND SPIGOT	236
Z624 ISOLATION DECK DRAIN	128	Z1173 EJECTO-MATIC GREASE INTERCEPTOR	169	Z1208-N VERTICAL SIPHON JET WATER CLOSET SUPPORT SYSTEM – NO-HUB	235
Z625 ADJUSTABLE ISOLATION DECK DRAIN	128	Z1173-TD EJECTO-MATIC GREASE INTERCEPTOR WITH GREASE ACCUMULATING CONE AND IN-LINE SHUTOFF VALVE	170	Z1209-N VERTICAL OFFSET SIPHON JET WATER CLOSET SUPPORT SYSTEM – NO-HUB	237
Z627 HEAVY-DUTY ADJUSTABLE ISOLATION DECK DRAIN	129	Z1174 GREASE EATING BACTERIA DOSING UNIT AND SOLIDS INTERCEPTOR COMBINATION	171	Z1212 WALL CLOSET SUPPORT SYSTEM	239
Z629 VERTICAL WALL DRAIN WITH BACKWATER VALVE	130	Z1175 HAIR INTERCEPTOR	173	Z1213-N 4" VERTICAL SIPHON JET WATER CLOSET SUPPORT SYSTEM – 2" OR 4" TOP VENT CLOSET FITTING ONLY (NO SUPPORT)	240
Z645 12-1/2" X 12-1/2" HEAVY-DUTY DRAIN	131	Z1176 HAIR INTERCEPTOR	173	Z1216 90° DOUBLE NO-HUB SYSTEM FOR FLOOR MOUNTED BACK OUTLET WATER CLOSETS	240
Z662 16" HEAVY-DUTY DRAIN	132	Z1180 SOLIDS INTERCEPTOR	174	Z1217 COUPLING TYPE SYSTEM – WALL URINAL/SERVICE SINK	241
Z662-HF 16" HEAVY-DUTY DRAIN WITH HIGH FLOW DUCTILE IRON GRATE	133	Z1181 SOLIDS INTERCEPTOR	174	Z1218 COUPLING TYPE SYSTEM – WALL URINAL/SERVICE SINK	242
Z664 6" WIDE HEAVY-DUTY MODULAR TRENCH DRAIN	134	Z1182 SIDE ACCESS SOLIDS INTERCEPTOR	175	Z1221 PLATE TYPE SYSTEM – WALL URINALS	243
Z665 12" WIDE HEAVY-DUTY MODULAR TRENCH DRAIN	135	Z1183-DF SOLIDS INTERCEPTOR WITH DISPOSABLE FILTER BAGS	176	Z1222 PLATE TYPE SYSTEM – WITH BEARING PLATE	243
Z667 6" WIDE MEDIUM-DUTY MODULAR TRENCH DRAIN	136	Z1183-FC SOLIDS INTERCEPTOR WITH FLUSH COVER	177	Z1223 PLATE TYPE SYSTEM – TROUGH URINALS	244
Z668 11-1/4" X 19-1/4" HEAVY-DUTY DRAIN	136	Z1183 SOLIDS INTERCEPTOR	175	Z1224 PLATE TYPE SYSTEM – LAVATORY WITH BACK	244
Z673 29" X 30" EXTRA HEAVY-DUTY DRAIN	137	Z1184 BOTTOM ACCESS SOLIDS INTERCEPTOR	178	Z1225 PLATE TYPE SYSTEM – WATER COOLERS	245
Z675 13-1/2" EXTRA HEAVY-DUTY DRAIN	138	Z1185 LINT INTERCEPTOR	179	Z1229 PLATE AND EXPOSED ARM – HEAVY SINKS	245
Z676 13-1/2" EXTRA HEAVY-DUTY DRAIN	138	Z1186 OIL INTERCEPTOR	181	Z1231 CONCEALED ARM SYSTEM – WALL LAVATORIES	246
Z730 9" TOP MEDIUM-DUTY DRAIN	139	Z1186-ST OIL INTERCEPTOR WITH INTEGRAL STORAGE TANK	182	Z1236 EXPOSED ARM SYSTEM – WALL LAVATORIES/SINKS	247
Z742 LIGHT-DUTY TRAP DRAIN	140	Z1187 SAND AND SEDIMENT INTERCEPTOR	183	Z1251 CONCEALED ARM SYSTEM – WALL SUPPORTED	248
Z1000 DEEP SEAL TRAP	144	Z1187-SI SAND INTERCEPTOR	184	Z1253 ADJUSTABLE CONCEALED ARM SYSTEM – WALL SUPPORTED	248
Z1019 FUNNEL DRAIN WITH "P" TRAP	144	Z1188 LARGE CAPACITY OIL INTERCEPTOR	185	Z1255 EXPOSED ARM SYSTEM – WALL SUPPORTED	249
Z1020XL ELECTRONIC TRAP PRIMER	145	Z1188-ST LARGE CAPACITY OIL INTERCEPTOR WITH INTEGRAL STORAGE TANK	186	Z1256 EXPOSED ARM SYSTEM – WALL SUPPORTED	250
Z1021 WATER SAVER TRAP PRIMER WITH 1-1/2" COPPER SWEAT WALL CONNECTION	145	Z1189 OIL/SEDIMENT INTERCEPTOR WITH HEAVY-DUTY GRATE	187	Z1257 EXPOSED ARM SYSTEM – WALL SUPPORTED	250
Z1022-XL LEAD-FREE SANI-GARD AUTOMATIC TRAP PRIMER	146	Z1194 OIL LEVEL SENSOR RETROFIT KIT	188	Z1258 EXPOSED ARM SYSTEM – WALL SUPPORTED	251
Z1023 TRAP PRIMER CONNECTION ADAPTER	146	Z1196 OIL INTERCEPTOR WITH OIL LEVEL SENSOR	189	Z1259 PLATE SYSTEM – WALL SUPPORTED	252
Z1024 FIXED AIR GAP	147	Z1198 LARGE CAPACITY OIL INTERCEPTOR WITH OIL LEVEL SENSOR	190	Z1300 ECOLOTROL WALL HYDRANT – ENCASED, NON-FREEZE, ANTI-SIPHON, AUTOMATIC DRAINING	255
Z1025 FIXED AIR GAP	147	Z1198-ST LARGE CAPACITY OIL INTERCEPTOR WITH INTEGRAL STORAGE TANK AND OIL LEVEL FLOAT SENSOR	191	Z1305 WALL HYDRANT – ENCASED, NON-FREEZE	255
Z1030 HUB ADAPTER	148	Z1200 CARRIER TOOLS AND ACCESSORIES	196	Z1310 ECOLOTROL WALL HYDRANT – EXPOSED, NON-FREEZE, ANTI-SIPHON, AUTOMATIC DRAINING	256
Z1032 INSIDE CAULK REDUCER	148	Z1201-N 4-XB BARIATRIC CARRIER – 1000 LBS [454 KG] – EZCARRY® ADJUSTABLE HORIZONTAL HIGH PERFORMANCE SIPHON JET NO-HUB WATER CLOSET CARRIER SYSTEM	204	Z1315 WALL HYDRANT – EXPOSED, NON-FREEZE	256
Z1033 FEMALE PIPE THREAD REDUCER	149	Z1201-N 4-XH EXTRA-HEAVY-DUTY – 750 LBS [340 KG] – EZCARRY® ADJUSTABLE HORIZONTAL HIGH PERFORMANCE SIPHON JET NO-HUB WATER CLOSET CARRIER SYSTEM	205		
Z1034 FEMALE PIPE ECCENTRIC REDUCER	149				
Z1040 NO-HUB ADAPTER	151				
Z1042 ELBOW ADAPTER	152				
Z1072 ZSHIELD™ BARRIER TRAP SEAL DEVICE FOR FLOOR DRAINS	143				
Z1088 BACKWATER VALVE GATE TYPE	152				
Z1090 BACKWATER VALVE FLAPPER TYPE	153				
Z1091 BACKWATER VALVE FLAPPER TYPE	153				
Z1095 BACKWATER VALVE FLAPPER TYPE	154				

## ALPHANUMERIC INDEX

Z1320XL ECOLOTROL CERAMIC DISC WALL HYDRANT – ENCASED, NON-FREEZE, ANTI-SIPHON, AUTOMATIC DRAINING	<b>257</b>	Z1468 ACCESS COVER AND PLUG	<b>286</b>	Z1926 16" X 16" A.R.C. SANI-FLORECEPTOR WITH 12" SUMP DEPTH	<b>320</b>
Z1321XL ECOLOTROL CERAMIC DISC WALL HYDRANT – EXPOSED, NON-FREEZE, ANTI-SIPHON, AUTOMATIC DRAINING	<b>258</b>	Z1469 ROUND ACCESS COVER	<b>286</b>	Z1930 8" X 4" A.R.C. SANI-FLORECEPTOR WITH 4" SUMP DEPTH	<b>321</b>
Z1325 WALL HYDRANT – ENCASED, VARI-TEMP, NON-FREEZE	<b>259</b>	Z1470 BRONZE CLEANOUT PLUG	<b>287</b>	Z1940 12" X 6" A.R.C. SANI-FLORECEPTOR WITH 8" SUMP DEPTH	<b>322</b>
Z1330XL ECOLOTROL CERAMIC DISC WALL HYDRANT – ENCASED, ANTI-SIPHON, AUTOMATIC DRAINING, MODERATE CLIMATE	<b>260</b>	Z1471 AIR INLET	<b>287</b>	Z1950 12" DIAMETER A.R.E. SANI-FLORECEPTOR WITH 8" SUMP DEPTH	<b>323</b>
Z1333XL ECOLOTROL CERAMIC DISC WALL HYDRANT – EXPOSED, ANTI-SIPHON, AUTOMATIC DRAINING, MODERATE CLIMATE	<b>261</b>	Z1474 HEAVY-DUTY CLEANOUT HOUSING	<b>288</b>	Z1960 8" DIAMETER A.R.E. SANI-FLORECEPTOR WITH 6" SUMP DEPTH	<b>324</b>
Z1335 WALL HYDRANT – ENCASED, MODERATE CLIMATE	<b>261</b>	Z1700 SHOKTROL WATER HAMMER ARRESTORS	<b>290</b>	Z1970 9" DIAMETER SHALLOW A.R.C. SANI-FLORECEPTOR WITH 3" SUMP DEPTH	<b>325</b>
Z1350 NARROW WALL HYDRANT – ENCASED, MODERATE CLIMATE	<b>262</b>	Z1712 ACCUMUTROL	<b>290</b>	Z1982 12" X 12" STAINLESS STEEL SANI-FLORECEPTOR CAN WASH DRAIN WITH 8" SUMP DEPTH	<b>326</b>
Z1360XL GROUND HYDRANT – ENCASED, FLUSH TYPE, NON-FREEZE	<b>263</b>	Z1715 15" DIAMETER ROOF DRAIN	<b>293</b>	Z1995 24" X 16" A.R.C. SANI-FLORECEPTOR WITH 17" SUMP DEPTH	<b>326</b>
Z1365 GROUND HYDRANT – ENCASED, FLUSH TYPE, NON-FREEZE	<b>264</b>	Z1717 SCUPPER DRAIN	<b>293</b>	ZF110-S GREEN ROOF BOX – PERFORATED SCREEN ASSEMBLY, REMOVABLE COVER	<b>29</b>
Z1370 GROUND HYDRANT – ENCASED, HOSE STORAGE, NON-FREEZE	<b>265</b>	Z1720 4" X 8" OPEN SIGHT DRIP DRAIN	<b>294</b>	ZF199 CHAMELEON DOWNSPOUT NOZZLE WITH FLAPPER	<b>51</b>
Z1375 GROUND HYDRANT – ENCASED, MODERATE CLIMATE, INTERIOR USE	<b>266</b>	Z1721 6" X 12" OPEN SIGHT DRIP DRAIN	<b>294</b>	ZF7000 FLOW SENSOR	<b>52</b>
Z1385 POST HYDRANT – EXPOSED HEAD, NON-FREEZE	<b>266</b>	Z1724 ROUND FUNNEL	<b>295</b>	ZN1209-N VERTICAL OFFSET SIPHON JET – NO-HUB NARROW WALL SYSTEM	<b>238</b>
Z1388XL ROOF HYDRANT – EXPOSED HEAD, NON-FREEZE	<b>267</b>	Z1725 OVAL FUNNEL	<b>295</b>	ZS400 "TYPE BS" ROUND STRAINER WITH SLOTTED OPENINGS	<b>63</b>
Z1390 POST HYDRANT – EXPOSED HEAD, NON-FREEZE	<b>267</b>	Z1726 ADJUSTABLE MEDIUM DUTY FLOOR DRAIN WITH ROUND TOP	<b>296</b>	ZS400 "TYPE SS" SQUARE STRAINER	<b>69</b>
Z1395XL YARD HYDRANT – EXPOSED HEAD, NON-FREEZE	<b>268</b>	Z1727 ADJUSTABLE MEDIUM DUTY FLOOR DRAIN WITH SQUARE TOP	<b>297</b>	ZS415 BODY ASSEMBLY WITH "TYPE BS" STRAINER	<b>80</b>
Z1397XL FLO-TROL YARD HYDRANT – EXPOSED HEAD, NON-FREEZE	<b>268</b>	Z1730 9" DIAMETER HEAVY-DUTY SHALLOW TYPE FLOOR DRAIN	<b>298</b>	ZS415 BODY ASSEMBLY WITH "TYPE SS" STRAINER	<b>92</b>
Z1400 EXTRA HEAVY-DUTY "LEVEL-TROL" ADJUSTABLE FLOOR CLEANOUT	<b>276</b>	Z1731 9" DIAMETER HEAVY-DUTY MEDIUM DEPTH FLOOR DRAIN	<b>298</b>	ZS1170 GREASE INTERCEPTOR STAINLESS STEEL	<b>164</b>
Z1400-K HEAVY-DUTY "LEVEL-TROL" ADJUSTABLE FLOOR CLEANOUT WITH ANCHOR FLANGE	<b>277</b>	Z1732 9-5/8" DIAMETER HEAVY-DUTY ADJUSTABLE FLOOR DRAIN	<b>299</b>		
Z1402 HEAVY-DUTY NON-ADJUSTABLE FLOOR CLEANOUT	<b>278</b>	Z1735 12" DIAMETER HEAVY-DUTY FLOOR DRAIN	<b>299</b>		
Z1404 HEAVY-DUTY FLOOR ACCESS HOUSING	<b>279</b>	Z1736 12" DIAMETER EXTRA HEAVY-DUTY FLOOR DRAIN	<b>300</b>		
Z1406 HEAVY-DUTY ADJUSTABLE SPIGOT CLEANOUT	<b>279</b>	Z1737 15" DIAMETER EXTRA HEAVY-DUTY FLOOR DRAIN	<b>300</b>		
Z1440 CLEANOUT FERRULE WITH PLUG	<b>280</b>	Z1739 PIT DRAIN	<b>301</b>		
Z1445 CLEANOUT TEE	<b>280</b>	Z1740 BACKWATER VALVE	<b>301</b>		
Z1446 CLEANOUT WITH ROUND WALL ACCESS COVER	<b>281</b>	Z1745 FLOOR CLEANOUT WITH O-RING SEAL PLUG	<b>302</b>		
Z1449 CLEANOUT FERRULE WITH PLUG	<b>281</b>	Z1749 12" X 12" SANI-FLORECEPTOR WITH 4" SUMP DEPTH	<b>303</b>		
Z1454 ADJUSTABLE FLOOR CLEANOUT WITH FLASHING FLANGE	<b>282</b>	Z1750 12" X 12" SANI-FLORECEPTOR WITH 6" SUMP DEPTH	<b>304</b>		
Z1456 DECK CLEANOUT	<b>282</b>	Z1751 12" X 12" SANI-FLORECEPTOR WITH 8" SUMP DEPTH	<b>305</b>		
Z1457 FLOOR ACCESS COVER	<b>283</b>	Z1752 12" X 12" SANI-FLORECEPTOR WITH 10" SUMP DEPTH	<b>306</b>		
Z1460 SQUARE WALL ACCESS PANEL	<b>283</b>	Z1755 13-3/8" SQUARE SANI-FLORECEPTOR 6" SUMP WITH ADJUSTABLE CLAMP FRAME	<b>307</b>		
Z1461 SQUARE HINGED ACCESS PANEL	<b>284</b>	Z1761 24-5/16" SQUARE KETTLE DRAIN WITH 8" SUMP DEPTH	<b>307</b>		
Z1462 SECURED WALL ACCESS PANEL	<b>284</b>	Z1762 25" X 15-1/2" KETTLE DRAIN	<b>308</b>		
Z1463 ROUND SCORIATED ACCESS COVER	<b>285</b>	Z1763 37-9/16" X 22-7/8" KETTLE DRAIN	<b>308</b>		
Z1464 WATER SUPPLY CONTROL BOX ASSEMBLY	<b>285</b>	Z1900 12" X 12" A.R.E. SANI-FLORECEPTOR WITH 6" SUMP DEPTH	<b>311</b>		
		Z1901 12" X 12" A.R.E. SANI-FLORECEPTOR WITH 8" SUMP DEPTH	<b>313</b>		
		Z1902 12" X 12" A.R.E. SANI-FLORECEPTOR WITH 10" SUMP DEPTH	<b>315</b>		
		Z1910 8" X 8" A.R.E. SANI-FLORECEPTOR WITH 6" SUMP DEPTH	<b>317</b>		
		Z1920 16" X 16" A.R.C. SANI-FLORECEPTOR WITH 7" SUMP DEPTH	<b>319</b>		



## GENERAL TERMS AND CONDITIONS

### PRICE AND TERMS OF PAYMENT

Terms are net, payable 30 days from date of invoice. Zurn Credit must be identified of potential pricing errors within 30 days of invoice date. Shortage claims must be reported within 10 working days of receiving product to your local Zurn Rep or Zurn Customer Care. The Buyer shall pay all sales, consumers, or other applicable taxes. A 1-1/2% monthly (18% annual) service charge will be added to the outstanding balance of all past due invoices.

Minimum invoice \$250.00. Zurn Water, LLC ("Zurn") reserves the right to apply a minimum order charge in order to meet the \$250.00 minimum invoice requirement. All orders are subject to credit approval by the Zurn Credit Department prior to the acceptance of an order. Orders may be refused, delivery may be withheld, or shipment stopped in transit without any liability on Zurn's part at Zurn's sole discretion based upon Buyer's credit worthiness as determined by Zurn.

### FREIGHT

All sales are F.O.B. seller's location. Zurn will allow full freight allowance when any of the following conditions are met: 1) Plumbing Fixtures only orders totaling \$10,000 or more; 2) Zurn One Systems orders of \$7,500 or more; 3) Any combination of Linear Drainage and/or Stainless Drains orders of \$5,000 or more; 4) Any combination of Specification Drainage, Finish Plumbing, and/or Zurn Wilkins of \$5,000 or more; 5) Commercial Drainage only orders of \$3,500 or more; 6) PEX orders of \$3,000 or more. This full freight allowance applies when the shipment is within the continental United States and has a single destination of a Buyer's standard address or job location. Routing of shipment shall be determined at the sole discretion of Zurn. Shipping dates are estimates and time of delivery shall not be of the essence of this sale contract. Under no circumstances will the Seller have any responsibility on account of any delays in manufacture, transportation, or otherwise. Terms of Export Shipment on application.

**NOTE:** Shipments in excess of 90" long or 3,000 lbs may be subject to additional charges, and shall be defined as an oversized and/or overweight product and Zurn's standard FFA terms may not apply. Please contact our Customer Service Department for guidance on potential additional shipping charges. This new policy supersedes any existing agreements.

These charges and restrictions apply in addition to Zurn standard terms and conditions for sale unless otherwise agreed upon by the parties.

### LIMITED WARRANTY

Zurn goods sold hereunder are warranted to be free from defects in material and factory workmanship for the period of time from the date of purchase: AquaVantage® Flush Valves, AquaFlush® Flush Valves, Commercial Fixtures, Faucets, Showers, and Tubular Brass: three years; Chemical Drainage, Linear Drainage, Commercial Drainage, Specification Drainage, Zurn Wilkins, and Flush Valve, Faucets, and Tubular Brass decorative finishes: one year; PHIX® Cartridge: ten years; FOG-ceptor®: thirty years. Where permitted by law, **THE IMPLIED WARRANTY OF MERCHANTABILITY IS LIMITED TO THE ABOVE IDENTIFIED PERIOD OF TIME AND SHALL BE LIMITED SOLELY TO THE REPLACEMENT OF THE DEFECTIVE GOODS.** A damaged/broken test cock or ball valve is not considered defective. Please contact Zurn Customer Care for assistance.

Zurn will replace goods at no cost that prove defective provided Zurn is notified in writing of such defect and the goods are returned prepaid at the specified Zurn location with evidence that they have been properly maintained and used in accordance with instructions. **ZURN SHALL NOT BE RESPONSIBLE FOR ANY LABOR CHARGES OR ANY LOSS, INJURY, OR DAMAGES WHATSOEVER, INCLUDING, BUT NOT LIMITED TO, INCIDENTAL OR CONSEQUENTIAL DAMAGES.** The sole and exclusive remedy shall be limited to the replacement of the defective goods. Before installation and use, the purchaser shall determine the suitability of the product for his intended use and the purchaser assumes all risk and liability whatever in the connection therewith. All weights stated in Zurn catalogs and lists are approximate and are not guaranteed.

### RETURNED GOODS

Standard cataloged material may be returned only with the written permission of Zurn. Returned goods are subject to a 25% restocking charge of total saleable material returned, plus the cost of reconditioning, if necessary, to make material sellable. Transportation charges are the responsibility of the Buyer. Credit allowance will be in the form of merchandise credit only – not cash credit. The value of the return must total at least \$100.00 to qualify for credit allowance. No credit will be allowed for parts unless originally ordered and invoiced as parts. No credit will be allowed for discontinued or made-to-order items. Items that have been specially made are not subject to return or cancellation except by special negotiation. Material must be returned within one year of invoice date for credit to be issued for Commercial Fixtures, Flush Valve Products, Specification Drainage, Tubular Brass, Zurn Wilkins, Chemical Drainage, Linear Drainage, and Commercial Drainage. No credit is allowed for Linear Drainage products that have been cut and Specification Drainage product with auxiliary tapings. Flush Valve material over one year old will be subject to a 50% handling charge. Flush Valve material over five years old will not be accepted. Commercial Drainage and Specification Drainage galvanized material will be credited at value of Dura-Coated cast iron, and chrome-plated at value of bronze. Zurn Wilkins damaged/broken test cocks or ball valves are not considered defective.

### ILLUSTRATIONS OF TYPICAL INSTALLATIONS

The typical installations for various products found in each product section are intended to illustrate the products and potential options for the use of these products. Under no circumstances are they to be construed as recommended installation procedures. Consult local codes and project specifications for proper installation instructions.

### SHORTAGE/DAMAGE CLAIMS

Notification of material shortages or incorrect filling of orders must be made to Zurn within 10 days of receipt. No claims over three months old will be honored. Buyer agrees to make all complaints for damage in transit or "short count" directly to the carrier; before the contents are unloaded have the carrier agent's acknowledgment of such damage noted on the bill of lading and to present to the carrier its agent's acknowledgment of such damaged material with formal claim covering said damage.

### GENERAL

Zurn reserves the right to make changes in design or equipment of any item or product without incurring any obligation on previously sold items, and to discontinue items at any time, without notice. Possession of this Catalog or other sales literature is not to be construed as an offer to sell. All orders are subject to acceptance by Zurn. Catalog printed in U.S.A.

Zurn flush valves are designed to comply with Army Corp of Engineers and Naval guide specifications, Military Specification MIL.V.29193 and Federal Specification WWP541.

Zurn flush valves comply with the following standards: ASME A112.18.1/CSA B125.1, A112.19.5, A112.19.2, A112.19.6, ASSE 1037 and 101 are listed by the following agencies: Canadian Standards, IAPMO/UPC/CUPC, and CSA 125.3. Zurn flush valves are manufactured from dezincification resistant alloys. For additional compliances, contact Zurn Water, LLC, Finish Plumbing Operation, or 1-800-997-3876.

Zurn is not responsible for typographical errors. The contents of this guide are subject to revision without notice.

© 2024 Zurn Water, LLC Items in this guide may be covered by U.S. and foreign Patents and Patents Pending. Registered Trademarks.

