

# Trench Drain Systems

TD0424 Customer Guide – CANADA



ZURN.CA US 1.855.ONE.ZURN CANADA 1.877.892.5216



Effective April 1, 2024  
Replaces All Previous Price Lists

# TRENCH DRAIN SYSTEMS

## PERMA-TRENCH®

<b>Z886</b> 6" WIDE TRENCH DRAIN SYSTEM	<b>2</b>
<b>Z882</b> 12" WIDE TRENCH DRAIN SYSTEM	<b>4</b>
<b>Z874-12</b> TRENCH DRAIN SYSTEM	<b>5</b>
<b>Z874-18</b> TRENCH DRAIN SYSTEM	<b>6</b>
<b>Z874-21</b> TRENCH DRAIN SYSTEM	<b>7</b>
<b>Z874-U-XX-LDRA</b> LIGHT-DUTY UTILITY TRENCH WITH ALUMINUM FRAME, CLAMP, AND SOLID COVER	<b>8</b>
<b>Z874-U-XX-LDRS</b> LIGHT-DUTY UTILITY TRENCH WITH ALUMINUM FRAME AND CLAMP WITH SOLID STEEL COVER	<b>8</b>
<b>Z874-U-XX-HD</b> HEAVY-DUTY UTILITY TRENCH WITH STEEL FRAME AND DUCTILE IRON SOLID COVER	<b>8</b>
<b>Z880</b> 2-1/2" WIDE TRENCH DRAIN SYSTEM	<b>9</b>
<b>Z884</b> 4-3/4" WIDE SHALLOW DRAIN SYSTEM	<b>9</b>
<b>Z883</b> 6" WIDE SHALLOW TRENCH DRAIN SYSTEM	<b>10</b>
<b>Z887</b> CATCH BASIN	<b>11</b>

## STAINLESS / SANI-FLO®

<b>ZS880</b> STAINLESS STEEL LINEAR SHOWER DRAIN	<b>12</b>
<b>Z890</b> 6" STAINLESS STEEL TRENCH DRAIN SYSTEM	<b>13</b>
<b>Z895</b> 12" STAINLESS STEEL TRENCH DRAIN SYSTEM	<b>14</b>
<b>Z898</b> 18" WIDE TRENCH DRAIN SYSTEM	<b>15</b>
<b>Z894</b> 24" WIDE TRENCH DRAIN SYSTEM	<b>16</b>
<b>Z899-100</b> ELEVATOR TRENCH DRAIN SYSTEM	<b>17</b>
<b>Z891</b> STAINLESS STEEL SLOTTED DRAINAGE SYSTEM	<b>17</b>
<b>Z893</b> STAINLESS STEEL FLOOR RECEPTOR WITH BAR GRATE	<b>18</b>
<b>Z897</b> STAINLESS STEEL CATCH BASIN	<b>19</b>

## SLOT DRAIN / HI-CAP®

<b>Z888-4</b> SLOTTED DRAINAGE SYSTEM	<b>21</b>
<b>Z888-6</b> SLOTTED DRAINAGE SYSTEM	<b>21</b>
<b>Z888-8</b> SLOTTED DRAINAGE SYSTEM	<b>21</b>
<b>Z888-12,-18</b> HIGH CAPACITY TRENCH DRAIN SYSTEM SLOTTED DRAINAGE SYSTEM	<b>22</b>
<b>Z889-12,-18</b> HIGH CAPACITY CLEANOUT PORT	<b>22</b>

## ALUMINUM TRENCH

<b>ZA880-156</b> EXTRUDED ALUMINUM TRENCH DRAIN SYSTEM	<b>23</b>
<b>ZA880-300A</b> EXTRUDED ALUMINUM TRENCH DRAIN SYSTEM (PRICING WITHOUT GRATE)	<b>23</b>
<b>ZA880-300B</b> EXTRUDED ALUMINUM TRENCH DRAIN SYSTEM (PRICING WITHOUT GRATE)	<b>23</b>
<b>ZA880-340</b> EXTRUDED ALUMINUM TRENCH DRAIN SYSTEM (PRICING WITHOUT GRATE)	<b>23</b>

## FIBERGLASS

<b>ZF806</b> 6" WIDE TRENCH DRAIN SYSTEM	<b>24</b>
<b>ZF812</b> 12" WIDE TRENCH DRAIN SYSTEM	<b>26</b>
<b>ZF817</b> CATCH BASIN	<b>27</b>

## FRAME AND GRATE SYSTEMS

<b>Z706</b> 6" WIDE FRAME AND GRATE SYSTEM	<b>28</b>
<b>Z712</b> 12" WIDE FRAME AND GRATE SYSTEM	<b>28</b>
<b>Z717</b> 17" WIDE FRAME AND GRATE SYSTEM	<b>28</b>
<b>Z723</b> 23" WIDE FRAME AND GRATE SYSTEM	<b>29</b>
<b>Z726</b> 26" WIDE FRAME AND GRATE SYSTEM	<b>29</b>

## OIL SEPARATORS

<b>Z885</b> POLYETHYLENE OIL SEPARATOR	<b>30</b>
----------------------------------------	-----------

## TECHNICAL INFORMATION

GENERAL TERMS AND CONDITIONS	<b>32</b>
------------------------------	-----------



Denotes products made in the U.S.A.

### PLEASE NOTE

All products require a minimum of 4" new concrete encasement.

POA = Price On Availability

‡ Indicates grate will be shipped unpainted. For an additional charge, Zurn will paint the grates. Please contact your customer service representative for pricing.

# Z886 6" WIDE TRENCH DRAIN SYSTEM



Standard Length: 80" (6.67')  
Standard Grate Included: DGC

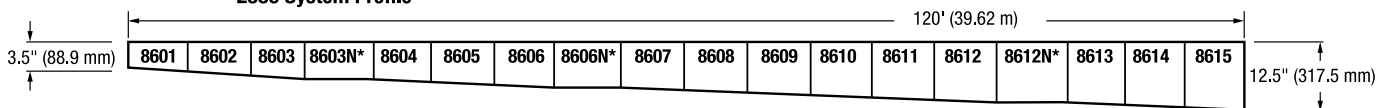
## ENGINEERING SPECIFICATION

Channels shall be 80" long, 6" wide, and have a 4" wide throat. Modular channel sections shall be made of High Density Polyethylene (HDPE), have interlocking ends, and radiused bottom. Channel shall be provided either flat (neutral) or with a .75% built-in slope. Channels shall be available with inverts ranging from 3.5" to 12.50". Channels shall have clips molded into the sides of the channel to accommodate vertical rebar for positioning and anchoring purposes. Choices of class A thru F grates shall be available with H-20 and/or FAA load ratings and/or ADA compliance with mechanical lockdown devices. End caps and catch basins shall be available to complement the channels and grates. End outlets, bottom outlets, and side outlets shall be available in 2", 3", 4", and 6" diameters. Trench drain shall be Flo-Thru model Z886.

Trench Number	Shallow Invert		Deep Invert		Flow Rate		
	In.	mm	In.	mm	cfs	gpm	lps
8601	3.50	89	4.10	104	0.207	93	6
8602	4.10	104	4.70	119	0.272	122	8
8603	4.70	119	5.30	135	0.339	152	10
8603N	5.30	135	5.30	135	-	-	-
8604	5.30	135	5.90	150	0.408	183	12
8605	5.90	150	6.50	165	0.477	214	14
8606	6.50	165	7.10	180	0.546	245	16
8606N	7.10	180	7.10	180	-	-	-
8607	7.10	180	7.70	196	0.615	276	17
8608	7.70	196	8.30	211	0.686	308	19
8609	8.30	211	8.90	226	0.755	339	21
8610	8.90	226	9.50	241	0.827	371	23
8611	9.50	241	10.1	257	0.898	403	26
8612	10.10	257	10.70	272	0.969	435	28
8612N	10.70	272	10.70	272	-	-	-
8613	10.70	272	11.30	287	1.041	467	30
8614	11.30	287	11.90	302	1.11	498	32
8615	11.90	302	12.50	318	1.181	530	34

SERVICE CHARGES		ADD/ EACH
<b>Fabrication</b>	- 45°; 90°; Tee; Side Outlet Fabs	375.00
	- Cross Fabs	745.00
<b>Cutting</b>	Cutting for Each Cut Only	135.00
<b>Radiused Channel</b>		POA
<b>PART NO.</b>	<b>80" (2032MM) SLOPED &amp; NEUTRAL SECTIONS</b>	<b>EACH PER FOOT</b>
<b>P-886</b>	Channels Only	540.00 81.00
<b>PART NO.</b>	<b>CAST GRATES - 20" (508MM)</b>	<b>EACH PER FOOT</b>
<b>P6-BZ</b>	Bronze Decorative Grate - Class A	932.00 559.00
<b>P6-DC</b>	Ductile Iron Solid Cover - Class C	119.00 71.00
<b>P6-DC-G</b>	Galvanized Ductile Solid Cover - Class C	167.00 100.00
<b>P6-DGC</b>	Ductile Iron Slotted Grate - Class C	117.00 70.00
<b>P6-DGE</b>	Ductile Iron Slotted - Class E	147.00 88.00
<b>P6-DBG</b>	Ductile Iron Slotted Grate - Class C	122.00 73.00
<b>P6-GDC</b>	Galvanized Ductile Grate - Class C	147.00 88.00
<b>P6-GDE</b>	Galvanized Ductile Grate - Class E	147.00 88.00
<b>P6-BG</b>	Galvanized Ductile Iron Cast Bar Grate - Class C	162.00 97.00
<b>P6-HPD</b>	Heel Proof Longitudinal Ductile ADA Grate - Class B	104.00 62.00
<b>P6-LD</b>	Longitudinal Ductile Grate - Class B	137.00 82.00
<b>P6-HPP</b>	Heel-Proof Polyethylene ADA Grate - Class A (Light Duty)	62.00 37.00
<b>P6-GG</b>	Fiberglass Grate - Class A	499.00 299.00
<b>P6-FGF</b>	Ductile Iron Frame and Slotted Grate - Class F	285.00 171.00
<b>PART NO.</b>	<b>FABRICATED GRATES - 40" (1016MM)</b>	<b>EACH PER FOOT</b>
<b>P6-FG</b>	Fabricated Galvanized Steel Slotted Grate - Class A	157.00 47.00
<b>P6-RFGC</b>	Reinforced Galvanized Steel Slotted Grate - Class C	344.00 103.00
<b>P6-PG</b>	Galvanized Perforated Steel ADA Grate - Class A	140.00 42.00
<b>P6-RPGC</b>	Reinforced Galvanized Perforated Grate - Class C	344.00 103.00
<b>PART NO.</b>	<b>STAINLESS GRATES - 40" (1016MM)</b>	<b>EACH PER FOOT</b>
<b>P6-FS</b>	Fabricated Stainless Steel Slotted Grate - Class A	430.00 129.00
<b>P6-RFSC</b>	Reinforced Galvanized Stainless Steel Slotted Grate - Class C	910.00 273.00
<b>P6-PS</b>	Stainless Steel Perforated Grate - Class A	390.00 117.00
<b>P6-RPSC</b>	Reinforced Stainless Steel Perforated ADA Grate - Class C	907.00 272.00
<b>PART NO.</b>	<b>STAINLESS GRATES - 20" (508MM)</b>	<b>EACH PER FOOT</b>
<b>P6-SBG</b>	Stainless Steel Bar Grate - Class E	780.00 468.00

Z886 System Profile



## Z886 6" WIDE TRENCH DRAIN SYSTEM

PART NO.		EACH
P886-E1	Closed End Cap	32.00
P886-E2	2" (50.8mm) No Hub End Outlet	32.00
P886-E3	3" (76.2mm) No Hub End Outlet	32.00
P886-E4	4" (101.6mm) No Hub End Outlet	32.00
P886-E6	6" (152.4mm) No Hub End Outlet	32.00
P886-U2	2" (50.8mm) No Hub Bottom Outlet	32.00
P886-U3	3" (76.2mm) No Hub Bottom Outlet	32.00
P886-U4	4" (101.6mm) No Hub Bottom Outlet	32.00
P886-U6	6" (152.4mm) No Hub Bottom Outlet	32.00
P6-DB	Dome Bottom Strainer	87.00
P886-JC	Joint Connector	63.00
P886-GL	Grate Lockdown (Bag of 4)	30.00
P886-SVF	Type 304 Stainless Steel Top Veneer Frame	162.00
PSS-886-FEC	Frame End Cap (Stainless)	182.00
P886-HDF	Heavy Duty Steel Frame Assembly with Anchor Studs and Grate Lockdown Hardware	462.00
P886-HDG	Galvanized Heavy Duty Steel Frame Assembly with Anchor Studs and Grate Lockdown Hardware	585.00
P886-ECVR	Heavy Duty Frame End Cover	61.00
P886-HDS	Stainless Steel Heavy Duty Frame Assembly with Studs and Grate Lockdown Hardware	1,459.00
P886-SW	8.1" (205.74mm) High Sidewall Extension Adapter (Per Pair)	1,172.00

PERMA-TRENCH®

STAINLESS / SANI-FLO®

SLOT DRAIN / HI-CAP®

ALUMINUM TRENCH

FIBERGLASS

FRAME AND GRATE SYSTEMS

OIL SEPARATORS

\*Regularly furnished unless otherwise specified.

‡Indicates grate will be shipped unpainted. For an additional charge, Zurn will paint the grates. Please contact your customer service representative for pricing.

For additional product information, please visit [www.zurn.ca](http://www.zurn.ca)

# Z882 12" WIDE TRENCH DRAIN SYSTEM



Standard Length: 8'  
Standard Grate Included: DGC

## ENGINEERING SPECIFICATION

Channels shall be 8" long, 12" wide, and have a 9-1/4" wide throat. Modular channel sections shall be made of High Density Polyethylene (HDPE), have interlocking ends, and radiused bottom. Channel shall be provided with no slope (neutral) or with a 1.04% built-in slope. Channels shall be available with inverts ranging from 6.25" to 18.25". Channels shall have clips molded into the sides of the channel to accommodate vertical rebar for positioning and anchoring purposes. Choices of class A thru F grates shall be available with H-20 and/or FAA load ratings and/or ADA compliance with mechanical lockdown devices. A heavy-duty steel frame shall be provided to distribute weight between the grates and the HDPE channel. End caps and catch basins shall be available to complement the channels and grates. End outlets, bottom outlets, and side outlets shall be available in 4", 6", and 8" diameters. Trench drain shall be Flo-Thru model Z882.

Trench Number	Shallow Invert		Deep Invert		Flow Rate		
	In.	mm	In.	mm	cfs	gpm	lps
8201	6.25	159	7.25	184	1.241	557	35
8202	7.25	184	8.25	210	1.725	774	49
8203	8.25	210	9.25	235	2.226	999	63
8203N	9.25	235	9.25	235	-	-	-
8204	9.25	235	10.25	260	2.745	1232	78
8205	10.25	260	11.25	286	3.271	1468	93
8206	11.25	286	12.25	311	3.808	1709	108
8206N	12.25	311	12.25	311	-	-	-
8207	12.25	311	13.25	337	4.347	1951	123
8208	13.25	337	14.25	362	4.893	2196	139
8209	14.25	362	15.25	387	5.443	2443	155
8209N	15.25	387	15.25	387	-	-	-
8210	15.25	387	16.25	413	5.996	2691	170
8211	16.25	413	17.25	438	6.551	2940	186
8212	17.25	438	18.25	464	7.106	3189	202

SERVICE CHARGES		ADD/EACH	
Fabrication	- 45°; 90°; Tee; Side Outlet Fabs	745.00	
	- Cross Fabs	1,482.00	
Cutting	Cutting for Each Cut Only	195.00	
Radiused Channel		POA	
8" (2434.4MM) CHANNELS - SLOPED & NEUTRAL SECTIONS		EACH	PER FOOT
P882	P-882-1 through P-882-12	584.00	73.00
8" (2434.4MM) FRAMES		EACH	PER FOOT
P882-HDF	Heavy Duty Frame Assembly	976.00	122.00
P882-HDG	Galvanized Frame Assembly	1,376.00	172.00
P882-HDS	Stainless Steel Frame Assembly	4,928.00	616.00
CAST GRATES - 24" (609.6MM)		EACH	PER FOOT
P12-DC	Ductile Iron Solid Cover - Class C	502.00	251.00
P12-DGC	Ductile Iron Slotted Grate - Class C	392.00	196.00
P12-DGE	Ductile Iron Slotted - Class E	404.00	202.00
P12-DGF	Ductile Iron Slotted - Class F	592.00	296.00
P12-GDC	Galvanized Ductile Grate - Class C	498.00	249.00
P12-GDE	Galvanized Ductile Grate - Class E	578.00	289.00
P12-GDF	Galvanized Ductile Grate - Class F	722.00	361.00
P12-HPD	Heel Proof Longitudinal Ductile ADA Grate - Class B	430.00	215.00
P12-GHPD	Galvanized Heel Proof Longitudinal Ductile ADA Grate - Class B	566.00	283.00
FABRICATED GRATES - 24" (609.6MM)		EACH	PER FOOT
P12-BG	Galvanized Ductile Iron Bar Grate - Class D	520.00	260.00
P12-FG	Fabricated Galvanized Steel Slotted Grate - Class A	382.00	191.00
P12-RFG	Reinforced Galvanized Steel Slotted Grate - Class B	994.00	497.00
P12-PG	Galvanized Perforated Steel ADA Grate - Class A	384.00	192.00
P12-RPG	Reinforced Galvanized Perforated Grate - Class B	956.00	478.00
P12-GG	Fiberglass Grate - Class A	600.00	300.00
STAINLESS GRATES - 24" (609.6MM)		EACH	PER FOOT
P12-FS	Fabricated Stainless Steel Slotted Grate - Class A	922.00	461.00
P12-RFSC	Reinforced Galvanized Stainless Steel Slotted Grate - Class C	1,708.00	854.00
P12-PS	Stainless Steel Perforated Grate - Class A	1,240.00	620.00
P12-RPSC	Reinforced Stainless Steel Perforated ADA Grate - Class C	1,832.00	916.00
P12-SBG-L	Stainless Steel Bar Grate - Class C	2,842.00	1,421.00
PART NO.		EACH	
P882-E1	Closed End Cap	61.00	
P882-E4	4" (101.6mm) No Hub End Outlet	61.00	
P882-E6	6" (152.4mm) No Hub End Outlet	61.00	
P882-E8	8" (203.2mm) No Hub End Outlet	61.00	
P882-U4	4" (101.6mm) No Hub Bottom Outlet	67.00	
P882-U6	6" (152.4mm) No Hub Bottom Outlet	67.00	
P882-U8	8" (203.2mm) No Hub Bottom Outlet	67.00	
P882-SW	11" (279.4mm) High Sidewall Extension Adapter (Per Pair)	936.00	
P12-ECVR	Frame End Cap (Black) (2 pcs.)	42.00	
P12-ECVR-G	Frame End Cap (Galvanized) (2 pcs.)	61.00	
P12-ECVR-SS	Frame End Cap (Stainless) (2 pcs.)	107.00	
P12-DB	Dome Bottom Strainer	182.00	
P882-JC	Joint Connector	89.00	

For additional product information, please visit [www.zurn.ca](http://www.zurn.ca)

\*Regularly furnished unless otherwise specified.

†Indicates grate will be shipped unpainted. For an additional charge, Zurn will paint the grates. Please contact your customer service representative for pricing.

# Z874-12 TRENCH DRAIN SYSTEM



Standard Length: 80" (6.67')  
Standard Grate Included: DGC

## ENGINEERING SPECIFICATION

Channels shall be 80" long, 17" wide, and have a 12" wide throat. Modular channel sections shall be made of High Density Polyethylene (HDPE), have interlocking ends, and radiused bottom. Channel shall be provided with no slope (neutral) or with a 1.00% built-in slope. Channels shall be available with inverts ranging from 9.25" to 34.21". Channels shall have clips attached to the frame to accommodate vertical rebar for positioning and anchoring purposes. Choices of class A thru F grates shall be available with H-20 and/or FAA load ratings and/or ADA compliance with mechanical lockdown devices. A heavy-duty steel frame shall be provided to distribute weight between the grates and the HDPE channel. End caps and catch basins shall be available to complement the channels and grates. End outlets, bottom outlets, and side outlets shall be available in 4", 6", and 8" diameters. Trench drain shall be Flo-Thru model Z874-12.

Trench Number	Shallow Invert		Deep Invert		Flow Rate		
	In.	mm	In.	mm	cfs	gpm	lps
1201P	9.250	235	10.082	256	3.306	1475	93
1202P	10.082	256	10.914	277	3.941	1758	111
1203P	10.914	277	11.746	298	4.589	2048	129
1204P	11.746	298	12.578	319	5.248	2341	148
1205P	12.578	319	13.41	341	5.915	2639	166
1205NP	13.410	341	13.410	341	-	-	-
1206P	13.410	341	14.242	362	6.589	2939	185
1207P	14.242	362	15.074	383	7.268	3243	205
1208P	15.074	383	15.906	404	7.953	3548	224
1209P	15.906	404	16.738	425	8.641	3855	243
1210P	16.738	425	17.57	446	9.333	4164	263
1211P	17.57	446	18.402	467	10.028	4474	282
1212P	18.402	467	19.234	489	10.726	4785	302
1213P	19.234	489	20.066	510	11.426	5098	322
1214P	20.066	510	20.898	531	12.128	5411	341
1215P	20.898	531	21.73	552	12.832	5725	361
1215NP	21.73	552	21.73	552	-	-	-
1216P	21.730	552	22.562	573	13.538	6040	381
1217P	22.562	573	23.394	594	14.244	6355	401
1218P	23.394	594	24.226	615	14.953	6671	421
1219P	24.226	615	25.058	636	15.662	6988	441
1220P	25.058	636	25.890	658	16.372	7304	461
1221P	25.89	658	26.722	679	17.084	7622	481
1222P	26.722	679	27.554	700	17.796	7940	501
1223P	27.554	700	28.386	721	18.509	8258	521
1224P	28.386	721	29.218	742	19.223	8576	541
1225P	29.218	742	30.05	763	19.937	8895	561
1225NP	30.05	763	30.05	763	-	-	-
1226P	30.05	763	30.882	784	20.652	9214	581
1227P	30.882	784	31.714	806	21.367	9533	601
1228P	31.714	806	32.546	827	22.083	9852	622
1229P	32.546	827	33.378	848	22.8	10172	642
1230P	33.378	848	34.21	869	23.517	10492	662

SERVICE CHARGES		ADD/EACH	
Fabrication	- 45°; 90°; Tee; Side Outlet Fabs	1,139.00	
	- Cross Fabs	2,412.00	
Cutting	Cutting for Each Cut Only	384.00	
PART NO.	80" SLOPED & NEUTRAL SECTIONS	EACH	PER FOOT
1201P-1230P	Channel	1,287.00	193.00
PART NO.	80" FRAME OPTIONS	EACH	PER FOOT
-CBF	Black Acid Resistant Coated Frame	1,894.00	284.00
-HDF	Heavy Duty Dura Coated Steel Frame	1,514.00	227.00
-HDG	Galvanized Frame Assembly	1,814.00	272.00
-SF	Type 304 Stainless Steel Top Frame	3,200.00	480.00
PART NO.	GRATE OPTIONS 20" (508MM)	EACH	PER FOOT
-DCC	Ductile Iron Solid Cover - Class C	509.00	305.00
-DCF	Ductile Iron Solid Cover - Class F	570.00	342.00
-DGC	Ductile Iron Slotted Grate - Class C	435.00	261.00
-DGF	Ductile Iron Slotted Grate - Class F	1,005.00	603.00
-GDC	Galvanized Ductile Iron Grate - Class C	785.00	471.00
-GDF	Galvanized Ductile Iron Grate - Class F	1,085.00	651.00
-GG	Fiberglass Grate - Class A	1,004.00	602.00
-HPD	Heel-Proof Longitudinal Ductile Iron Grate - Class C	332.00	199.00
-SBG	Type 304 & 316 Stainless Steel Bar Grate - Class B	3,410.00	2,046.00
PART NO.	OUTLET ADAPTERS	EACH	
-E1	Closed End Cap	331.00	
-E4	4" (101.6mm) No Hub End Outlet	377.00	
-E6	6" (152.4mm) No Hub End Outlet	412.00	
-E8	8" (203.2mm) No Hub End Outlet	428.00	
-E10	10" (254mm) No Hub End Outlet	462.00	
-U4	4" (101.6mm) No Hub Bottom Outlet	863.00	
-U6	6" (152.4mm) No Hub Bottom Outlet	874.00	
-U8	8" (203.2mm) No Hub Bottom Outlet	995.00	
-U12	12" (304.8mm) No Hub Bottom Outlet	1,317.00	
PART NO.	MISCELLANEOUS OPTIONS	EACH	
-DB4	4" (101.6mm) Dome Bottom Strainer	464.00	
-DB6	6" (152.4mm) Dome Bottom Strainer	510.00	
-DB8	8" (203.2mm) Dome Bottom Strainer	571.00	
-RC	Rebar Clips (Set of 2)	19.00	

\*Regularly furnished unless otherwise specified.

†Indicates grate will be shipped unpainted. For an additional charge, Zurn will paint the grates. Please contact your customer service representative for pricing.

For additional product information, please visit [www.zurn.ca](http://www.zurn.ca)

# Z874-18 TRENCH DRAIN SYSTEM



Standard Length: 80" (6.67')  
Standard Grate Included: DGC

## ENGINEERING SPECIFICATION

Channels shall be 80" long, 23" wide, and have an 18" wide throat. Modular channel sections shall be made of High Density Polyethylene (HDPE), have interlocking ends, and radiused bottom. Channel shall be provided with no slope (neutral) or with a 1.00% built-in slope. Channels shall be available with inverts ranging from 10.25" to 35.1". Channels shall have clips attached to the frame to accommodate vertical rebar for positioning and anchoring purposes. Choices of class A thru F grates shall be available with H-20 and/or FAA load ratings and/or ADA compliance with mechanical lockdown devices. A heavy-duty steel frame shall be available to complement the channels and grates. End outlets, bottom outlets, and side outlets shall be available in 4", 6", 8", and 12" diameters. Trench drain shall be Flo-Thru model Z874-18.

Trench Number	Shallow Invert		Deep Invert		Flow Rate		
	In.	mm	In.	mm	cfs	gpm	lps
1801P	10.25	260	11.082	281	3058	193	6.85
1802P	11.082	281	11.914	303	3589	226	8.04
1803P	11.914	303	12.746	324	4132	261	9.26
1804P	12.746	324	13.578	345	4685	296	10.5
1805P	13.578	345	14.41	366	5247	331	11.76
1806P	14.41	366	15.242	387	5816	367	13.04
1807P	15.242	387	16.074	408	6392	403	14.33
1808P	16.074	408	16.906	429	6973	440	15.63
1809P	16.906	429	17.738	451	7559	477	16.94
1810P	17.738	451	18.57	472	8149	514	18.27
1811P	18.57	472	19.402	493	8743	552	19.6
1812P	19.402	493	20.234	514	9340	589	20.93
1813P	20.234	514	21.066	535	9940	627	22.28
1814P	21.066	535	22.898	556	10542	665	23.63
1815P	21.898	556	22.73	577	11147	703	24.98
1816P	22.73	577	23.562	598	11753	741	26.34
1817P	23.562	598	24.394	620	12362	780	27.71
1818P	24.394	620	25.226	641	12972	818	29.08
1819P	25.226	641	26.058	662	13584	857	30.45
1820P	26.058	662	26.89	683	14198	896	31.82
1821P	26.89	683	27.722	704	14812	934	33.2
1822P	27.722	704	28.554	725	15428	973	34.58
1823P	28.554	725	29.386	746	16045	1012	35.96
1824P	29.386	746	30.218	768	16663	1051	37.35
1825P	30.218	768	31.05	789	17282	1090	38.74
1826P	31.05	789	31.882	810	17901	1129	40.12
1827P	31.882	810	32.714	831	18522	1168	41.52
1828P	32.714	831	33.546	852	19143	1208	42.91
1829P	33.546	852	34.378	873	19765	1247	44.3
1830P	34.378	873	35.21	894	20388	1286	45.7

SERVICE CHARGES		ADD/EACH	
Fabrication	- 45°; 90°; Tee; Side Outlet Fabs		1,139.00
	- Cross Fabs		2,412.00
Cutting	Cutting for Each Cut Only		384.00
PART NO.	80" (2032MM) SLOPED & NEUTRAL SECTIONS	EACH	PER FOOT
1801P-1830P	Channel	1,454.00	218.00
PART NO.	80" (2032MM) FRAME OPTIONS	EACH	PER FOOT
-CBF	Black Acid Resistant Coated Frame	2,834.00	425.00
-HDF	Heavy Duty Dura Coated Steel Frame	1,514.00	227.00
-HDG	Galvanized Frame Assembly	1,820.00	273.00
-SF	Type 304 Stainless Steel Top Frame	5,360.00	804.00
PART NO.	GRATE OPTIONS 20" (508MM)	EACH	PER FOOT
-DCC	Ductile Iron Solid Cover - Class C	660.00	396.00
-DCF	Ductile Iron Solid Cover - Class F	955.00	573.00
-DGC	Ductile Iron Slotted Grate - Class C	804.00	482.00
-DGF	Ductile Iron Slotted Grate - Class F	882.00	529.00
-GDC	Galvanized Ductile Iron Grate - Class C	780.00	468.00
-GDF	Galvanized Ductile Iron Grate - Class F	1,115.00	669.00
-GG	Fiberglass Grate - Class A	705.00	423.00
-HPD	Heel-Proof Longitudinal Ductile Iron Grate - Class C	825.00	495.00
-SBG	Stainless Steel Bar Grate - Class C	3,632.00	2,179.00
PART NO.	OUTLET ADAPTERS	EACH	
-E1	Closed End Cap		381.00
-E4	4" (101.6mm) No Hub End Outlet		425.00
-E6	6" (152.4mm) No Hub End Outlet		461.00
-E8	8" (203.2mm) No Hub End Outlet		477.00
-E12	12" (304.8mm) No Hub End Outlet		532.00
-E18	18" (457.2mm) No Hub End Outlet		POA
-U4	4" (101.6mm) No Hub Bottom Outlet		926.00
-U6	6" (152.4mm) No Hub Bottom Outlet		931.00
-U8	8" (203.2mm) No Hub Bottom Outlet		977.00
-U12	12" (304.8mm) No Hub Bottom Outlet		1,057.00
-U18	18" (457.2mm) No Hub Bottom Outlet		1,288.00
PART NO.	MISCELLANEOUS OPTIONS	EACH	
-DB4	4" (101.6mm) Dome Bottom Strainer		496.00
-DB6	6" (152.4mm) Dome Bottom Strainer		464.00
-DB8	8" (203.2mm) Dome Bottom Strainer		510.00
-DB12	12" (304.8mm) Dome Bottom Strainer		557.00
-RC	Rebar Clips (Set of 2)		19.00

# Z874-21 TRENCH DRAIN SYSTEM



Standard Length: 80" (6.67')  
Standard Grate Included: DGC

## ENGINEERING SPECIFICATION

Channels shall be 80" long, 26-1/4" wide, and have a 21-1/4" wide throat. Modular channel sections shall be made of High Density Polyethylene (HDPE), have interlocking ends, and radiused bottom. Channel shall be provided with no slope (neutral) or with a 1.00% built-in slope. Channels shall be available with inverts ranging from 11.25" to 36.21". Channels shall have clips attached to the frame to accommodate vertical rebar for positioning and anchoring purposes. Choices of class A thru F grates shall be available with H-20 and/or FAA load ratings and/or ADA compliance with mechanical lockdown devices. A heavy-duty steel frame shall be provided to distribute weight between the grates and the HDPE channel. End caps and catch basins shall be available to complement the channels and grates. End outlets, bottom outlets, and side outlets shall be available in 4", 6", 8", 12", and 18" diameters. Trench drain shall be Flo-Thru model Z874-21.

Trench Number	Shallow Invert		Deep Invert		Flow Rate		
	In.	mm	In.	mm	cfs	gpm	lps
2101P	11.25	286	12.082	307	8.369	3734	236
2102P	12.082	305	12.914	328	9.857	4398	277
2103P	12.914	328	13.746	349	11.388	5081	320
2104P	13.746	349	14.578	370	12.953	5779	365
2105P	14.578	370	15.41	391	14.549	6491	409
2105NP	15.41	391	15.41	391	-	-	-
2106P	15.41	391	16.424	417	16.17	7214	455
2107P	16.424	417	17.074	434	17.814	7948	501
2108P	17.074	434	17.906	455	19.478	8690	548
2109P	17.906	455	18.738	476	21.159	9440	596
2110P	18.738	476	19.57	497	22.855	10197	643
2111P	19.57	497	20.402	518	24.565	10960	691
2112P	20.402	518	21.234	539	26.287	11728	740
2113P	21.234	539	22.066	560	28.02	12501	789
2114P	22.066	560	22.898	582	29.763	13279	838
2115P	22.898	582	23.73	603	31.514	14060	887
2115NP	23.73	603	23.73	603	-	-	-
2116P	23.73	603	24.562	624	33.274	14845	936
2117P	24.562	624	25.394	645	35.041	15633	986
2118P	25.394	645	26.226	666	36.814	16424	1036
2119P	26.226	666	27.058	687	38.594	17218	1086
2120P	27.058	687	27.89	701	40.379	18015	1136
2121P	27.89	701	28.722	729	42.169	18814	1187
2122P	28.722	729	29.554	751	43.964	19614	1237
2123P	29.554	751	30.386	772	45.763	20417	1288
2124P	30.386	772	31.218	793	47.567	21222	1339
2125P	31.218	793	32.05	814	49.374	22028	1390
2125NP	32.05	814	32.05	814	-	-	-
2126P	32.05	814	32.882	835	51.184	22836	1441
2127P	32.882	835	33.714	856	52.998	23645	1492
2128P	33.714	856	34.546	878	54.815	24455	1543
2129P	34.546	878	35.378	899	56.634	25267	1594
2130P	35.378	899	36.21	920	58.457	26080	1645

SERVICE CHARGES		ADD/EACH	
Fabrication	- 45°; 90°; Tee; Side Outlet Fabs	1,107.00	
	- Cross Fabs	2,344.00	
Cutting	Cutting for Each Cut Only	373.00	
PART NO.	80" (2032MM) SLOPED & NEUTRAL SECTIONS	EACH	PER FOOT
210P - 2130P	Channel	1,640.00	246.00
PART NO.	80" (2032MM) FRAME OPTIONS	EACH	PER FOOT
-CBF	Black Acid Resistant Coated Frame	3,187.00	478.00
-HDF	Heavy Duty Dura Coated Steel Frame	1,567.00	235.00
-GFA	Galvanized Frame Assembly	1,880.00	282.00
-SF	Type 304 Stainless Steel Top Frame	3,740.00	561.00
PART NO.	GRATE OPTIONS 20" (508MM)	EACH	PER FOOT
-DCC	Ductile Iron Solid Cover - Class C	989.00	593.00
-DCF	Ductile Iron Solid Cover - Class F	1,100.00	660.00
-DGC	Ductile Iron Slotted Grate - Class C	824.00	494.00
-DGF	Ductile Iron Slotted Grate - Class F	1,140.00	684.00
-GDC	Galvanized Ductile Iron Grate - Class C	824.00	494.00
-GDF	Galvanized Ductile Iron Grate - Class F	1,037.00	622.00
-GG	Fiberglass Grate - Class A	1,689.00	1,013.00
-HPD	Heel-Proof Longitudinal Ductile Iron Grate - Class C	645.00	387.00
-SBG	Stainless Steel Bar Grate - Class C	6,535.00	3,921.00
PART NO.	OUTLET ADAPTERS	EACH	
-E1	Closed End Cap	456.00	
-E4	4" (101.6mm) No Hub End Outlet	501.00	
-E6	6" (152.4mm) No Hub End Outlet	537.00	
-E8	8" (203.2mm) No Hub End Outlet	554.00	
-E12	12" (304.8mm) No Hub End Outlet	609.00	
-E18	18" (457.2mm) No Hub End Outlet	POA	
-U4	4" (101.6mm) No Hub Bottom Outlet	898.00	
-U6	6" (152.4mm) No Hub Bottom Outlet	651.00	
-U8	8" (203.2mm) No Hub Bottom Outlet	691.00	
-U12	12" (304.8mm) No Hub Bottom Outlet	1,025.00	
-U18	18" (457.2mm) No Hub Bottom Outlet	901.00	
PART NO.	MISCELLANEOUS OPTIONS	EACH	
-DB4	4" (101.6mm) Dome Bottom Strainer	464.00	
-DB6	6" (152.4mm) Dome Bottom Strainer	419.00	
-DB8	8" (203.2mm) Dome Bottom Strainer	450.00	
-DB12	12" (304.8mm) Dome Bottom Strainer	542.00	
-RC	Rebar Clips (Set of 2)	19.00	

\*Regularly furnished unless otherwise specified.

†Indicates grate will be shipped unpainted. For an additional charge, Zurn will paint the grates. Please contact your customer service representative for pricing.

For additional product information, please visit [www.zurn.ca](http://www.zurn.ca)



## Z874-U-XX-LDRA LIGHT-DUTY UTILITY TRENCH WITH ALUMINUM FRAME, CLAMP, AND SOLID COVER



The Z874-U is a neutral, non-sloped utility drain system. Depths of this system may range from 4" to 30".

### ENGINEERING SPECIFICATION

Z874-U-XX-LDRA Utility Trench Drainage System. High Density Polyethylene (HDPE) drain channel. All sections modular 40" lengths with interlocking ends. Complete with aluminum frame assembly at surface and light-duty aluminum (LDRA) solid cover. Recessed 1/8" for linoleum application.

PREFIX	DESCRIPTION	NO. OF GRATES PER CHANNEL
Z*	40" High Density Polyethylene (HDPE) Channel with Aluminum Frame, Clamp, and Solid Cover	2

END CAPS		PER FOOT
874-U-12-LDRA	12" Throat Opening - Class A	775.00
874-U-14-LDRA	14" Throat Opening - Class A	828.00
874-U-16-LDRA	16" Throat Opening - Class A	879.00
875-U-18-LDRA	18" Throat Opening - Class A	936.00
875-U-20-LDRA	20" Throat Opening - Class A	990.00
875-U-22-LDRA	22" Throat Opening - Class A	1,043.00
875-U-24-LDRA	24" Throat Opening - Class A	1,095.00
875-U-26-LDRA	26" Throat Opening - Class A	1,178.00
875-U-28-LDRA	28" Throat Opening - Class A	-
SERVICE CHARGES		ADD/EACH
Fabrication	- 45°; 90°; Tee Fabs	711.00
	- Cross Fabs	1,416.00
Cutting		366.00

## Z874-U-XX-LDRS LIGHT-DUTY UTILITY TRENCH WITH ALUMINUM FRAME AND CLAMP WITH SOLID STEEL COVER



The Z874-U is a neutral, non-sloped utility drain system. Depths of this system may range from 4" to 30".

### ENGINEERING SPECIFICATION

Z874-U-XX-LDRS Utility Trench Drainage System. High Density Polyethylene (HDPE) drain channel. All sections modular 40" lengths with interlocking ends. Complete with aluminum frame assembly at surface and light-duty solid steel (LDRS) cover. Recessed 1/8" for linoleum application.

PREFIX	DESCRIPTION	NO. OF GRATES PER CHANNEL
Z*	40" High Density Polyethylene (HDPE) Channel with Aluminum Frame and Clamp with Solid Steel Cover	2

END CAPS		PER FOOT
874-U-12-LDRS	12" Throat Opening - Class A	263.00
874-U-14-LDRS	14" Throat Opening - Class A	775.00
874-U-16-LDRS	16" Throat Opening - Class A	828.00
875-U-18-LDRS	18" Throat Opening - Class A	879.00
875-U-20-LDRS	20" Throat Opening - Class A	936.00
875-U-22-LDRS	22" Throat Opening - Class A	990.00
875-U-24-LDRS	24" Throat Opening - Class A	1,043.00
875-U-26-LDRS	26" Throat Opening - Class A	1,095.00
875-U-28-LDRS	28" Throat Opening - Class A	1,178.00
SERVICE CHARGES		ADD/EACH
Fabrication	- 45°; 90°; Tee Fabs	711.00
	- Cross Fabs	1,416.00
Cutting		366.00

## Z874-U-XX-HD HEAVY-DUTY UTILITY TRENCH WITH STEEL FRAME AND DUCTILE IRON SOLID COVER



The Z874-U is a neutral, non-sloped utility drain system. Depths of this system may range from 4" to 30".

### ENGINEERING SPECIFICATION

Z874-U-XX-HD Heavy-Duty Utility Trench Drainage System with Ductile Solid Cover. High Density Polyethylene (HDPE) drain channel. All sections modular 80" or 8' lengths with interlocking ends. Complete with Dura-Coated steel frame system and ductile iron solid cover.

PREFIX	DESCRIPTION	NO. OF GRATES PER CHANNEL
Z*	High Density Polyethylene (HDPE) Channel with Dura-Coated Steel Frame and Ductile Iron Solid Cover	4

END CAPS		PER FOOT
874-U-9-HD	9" Throat Opening - Class E	263.00
874-U-12-HD	12" Throat Opening - Class C	381.00
874-U-18-HD	18" Throat Opening - Class C	451.00
874-U-21-HD	21" Throat Opening - Class C	606.00
SERVICE CHARGES		ADD/EACH
Fabrication	- 45°; 90°; Tee Fabs	711.00
	- Cross Fabs	1,416.00
Cutting		366.00

## Z880 2-1/2" WIDE TRENCH DRAIN SYSTEM



Standard Length: 48" (4')  
 Standard Grate Included: POG  
 Colors Available: Gray (Standard), Sand, White, Brick Red, Blue

### ENGINEERING SPECIFICATION

2-1/2" Wide Trench Drain System shall be 48" long and 2-1/2" wide. Drain shall be 3" deep. Drain shall be made of High Density Polyethylene (HDPE) and be UV-10 stabilized. Drain shall have bedding feet and/or bedding feet shall be used for positioning and anchoring purposes. Drain shall have tongue and groove snap fit connection. End outlets and bottom outlets shall be available in 1-1/2" diameter. Drain shall be Flo-Thru Z880. 24" long high-density polyethylene decorative grate (-POG) provided as standard.

### NOTES

Additional custom colors for channels and gratings are available upon request. Please call your customer service representative for lead time and minimum runs.

SERVICE CHARGES		ADD/EACH	
<b>Cutting</b>	Cutting for Each Cut Only		<b>52.00</b>
PART NO.	48" (1219.2MM) NEUTRAL SECTIONS	EACH	PER FOOT
<b>P-880-POG</b>	Channel with Heel-Proof Polyethylene Grate - Type A	<b>76.00</b>	<b>19.00</b>
PART NO.	GRATES - 24" (609.6MM)	EACH	PER FOOT
<b>-BZ</b>	Bronze Decorative Grate - Class A	<b>878.00</b>	<b>439.00</b>
<b>-SOG</b>	Stainless Steel Decorative Grate - Class A	<b>360.00</b>	<b>180.00</b>
PART NO.		EACH	
<b>-E1</b>	Closed End Cap		<b>17.00</b>
<b>-E1.5</b>	1-1/2" No-Hub End Outlet		<b>17.00</b>
<b>-U1.5</b>	1-1/2" No-Hub Bottom Outlet		<b>18.00</b>
<b>-C45</b>	45-Degree Channel		<b>25.00</b>
<b>-C90</b>	90-Degree Channel		<b>25.00</b>
<b>-G45</b>	45-Degree Plastic Grate - Class A		<b>18.00</b>
<b>-G90</b>	90-Degree Plastic Grate - Class A		<b>18.00</b>
<b>-S45</b>	45-Degree Channel and Grate - Class A		<b>135.00</b>
<b>-S90</b>	90-Degree Channel and Grate - Class A		<b>135.00</b>
<b>-VP</b>	Vandal-Resistant Grate Lockdown Assembly Bag (1 Per Channel)		<b>16.00</b>

## Z884 4-3/4" WIDE SHALLOW DRAIN SYSTEM



Standard Length: 40" (3.33')  
 Standard Grate Included: HPP

### ENGINEERING SPECIFICATION

Channels shall be 40" long, 4-3/4" wide, and have a 3-1/4" wide throat. Modular channel sections shall be made of polypropylene, have interlocking ends, and radiused bottom. Channel shall be provided flat (neutral) with a 2.875" invert. Channels shall have clips molded into the sides of the channel to accommodate vertical rebar for positioning and anchoring purposes. Choices of class A and B gratings shall be available with ADA compliance with mechanical lockdown devices. End caps and catch basins shall be available to complement the channels and gratings. End outlets in 2" diameter and bottom outlets in 3" diameter shall be available. Trench drain shall be Flo-Thru model Z884.

SERVICE CHARGES		ADD/EACH	
<b>Fabrication</b>	- 45°; 90°; Tee; Side Outlet Fabs		<b>375.00</b>
	- Cross Fabs		<b>745.00</b>
<b>Cutting</b>	Cutting for Each Cut Only		<b>135.00</b>
PART NO.	40" (1016MM) NEUTRAL SECTIONS	EACH	PER FOOT
<b>P884</b>	Channels Only	<b>152.00</b>	<b>38.00</b>
PART NO.	GRATES - 20" (508MM) & 40" (1016MM)	EACH	PER FOOT
<b>P884-BZ</b>	Bronze Decorative Grate - Class C - 20" (508mm)	<b>529.00</b>	<b>317.00</b>
<b>P884-CG</b>	Cast Iron Slotted Grate - Class B - 20" (508mm)	<b>112.00</b>	<b>67.00</b>
<b>P884-HPP</b>	Heel-Proof Polyethylene Grate - Class A - 20" (508mm)	<b>70.00</b>	<b>42.00</b>
<b>P884-FG</b>	Fabricated Galvanized Steel Slotted Grate - Class A - 40" (1016mm)	<b>157.00</b>	<b>47.00</b>
<b>P884-FS</b>	Fabricated Stainless Steel Slotted Grate - Class A - 40" (1016mm)	<b>427.00</b>	<b>128.00</b>
<b>P884-PG</b>	Perforated Galvanized Steel ADA Grate - Class A - 40" (1016mm)	<b>157.00</b>	<b>47.00</b>
<b>P884-PS</b>	Perforated Stainless Steel ADA Grate - Class A - 40" (1016mm)	<b>407.00</b>	<b>122.00</b>
PART NO.		EACH	
<b>P884-E1</b>	Closed End Cap		<b>36.00</b>
<b>P884-E2</b>	2" (50.8mm) No Hub End Outlet		<b>36.00</b>
<b>P884-U3</b>	3" (76.2mm) No Hub Bottom Outlet		<b>36.00</b>

\*Regularly furnished unless otherwise specified.

‡Indicates grate will be shipped unpainted. For an additional charge, Zurn will paint the grates. Please contact your customer service representative for pricing.

For additional product information, please visit [www.zurn.ca](http://www.zurn.ca)

## Z883 6" WIDE SHALLOW TRENCH DRAIN SYSTEM



Standard Length: 40" (3.33')  
Standard Grate Included: DGC

### ENGINEERING SPECIFICATION

Channels shall be 40" long, 6" wide, and have a 4" wide throat. Modular channel sections shall be made of polypropylene, have interlocking ends, and radiused bottom. Channel shall be provided flat (neutral) with a 3-1/2" invert. Channels shall have clips molded into the sides of the channel to accommodate vertical rebar for positioning and anchoring purposes. Choices of class A, B, and C grates shall be available with H-20 and/or ADA compliance with mechanical lockdown devices. End caps and catch basins shall be available to complement the channels and grates. End outlets in 2" diameter and bottom outlets in 2", 3", and 4" diameters shall be available. Trench drain shall be Flo-Thru model Z883.

SERVICE CHARGES		ADD/EACH	
Fabrication	- 45°; 90°; Tee; Side Outlet Fabs	375.00	
	- Cross Fabs	745.00	
Cutting	Cutting for Each Cut Only	135.00	
PART NO.	40" (1016MM) NEUTRAL SECTIONS	EACH	PER FOOT
P883	Channels Only	114.00	34.00
PART NO.	GRATES - 20" (508MM) & 40" (1016MM)		
NOTE - (1) These channels will accept all P-6 (886) grates			
PART NO.		EACH	
P883-E1	Closed End Cap	28.00	
P883-E2	2" (50.8mm) No Hub End Outlet	28.00	
P883-U2	2" (50.8mm) No Hub Bottom Outlet	30.00	
P883-U3	3" (76.2mm) No Hub Bottom Outlet	30.00	
P883-U4	4" (101.6mm) No Hub Bottom Outlet	30.00	

## Z887 CATCH BASIN



Standard Grate Included: DGC

### ENGINEERING SPECIFICATION

Catch Basins shall be 6" wide x 20" long x 20" deep, 12" wide x 24" long x 24" deep, or 24" wide x 24" long x 24" deep and shall be made of High Density Polyethylene (HDPE). Choices of class A thru F grates shall be available with H-20, FAA, and/or ADA compliance. Outlets in 2", 3", 4", 6", and 8" diameters shall be available. Catch Basin shall be Flo-Thru model Z887.

PART NO.	Z887 BASIN ONLY	EACH
P887-6x20	Basin Only	370.00
P887-12x24	Basin Only	434.00
P887-24x24	Basin Only	579.00
PART NO.	BLACK DUCTILE FRAMES	EACH
-HD-6x20	Extra Heavy Duty Frame Assembly with Anchor Studs	340.00
-HD-12x24	Extra Heavy Duty Frame Assembly with Anchor Studs	413.00
-HD-24x24	Extra Heavy Duty Frame Assembly with Anchor Studs	551.00
PART NO.	BLACK DUCTILE FRAMES	EACH
-GFA-6x20	Galvanized Extra Heavy Duty Frame Assembly with Anchor Studs	496.00
-GFA-12x24	Galvanized Extra Heavy Duty Frame Assembly with Anchor Studs	496.00
-GFA-24x24	Galvanized Extra Heavy Duty Frame Assembly with Anchor Studs	1,077.00
PART NO.	EACH	
-SF-6x20	Type 304 Stainless Steel Top Frame	701.00
-SF-12x24	Type 304 Stainless Steel Top Frame	3,179.00
-SF-24x24	Type 304 Stainless Steel Top Frame	4,089.00
TO ADD GRATES TO OBTAIN A TOTAL BASIN PRICE		
1	6" (152.4mm) x 20" (508mm) system list price, add the list price for (1) of the corresponding 806 grates to the basin price.	
2	12" (304.8mm) x 24" (609.6mm) system list price, add the list price for (1) of the corresponding 812 grate to the basin price.	
3	24" (609.6mm) x 24" (609.6mm) add (1) of the following 24" (609.6mm) x 24" (609.6mm) grates	
PART NO.	GRATES 24" (609.6MM) X 24" (609.6MM)	EACH
-BG	Galvanized Ductile Iron Bar Grate - Class C	1,069.00
-DC	Ductile Iron Solid Cover - Class C	5,701.00
-DGC	Ductile Iron Slotted Grate - Class C	980.00
-DGF	Ductile Iron Slotted Grate - Class F	1,279.00
-FG	Galvanized Steel Slotted Grate - Class A	3,114.00
-FS	Fabricated Stainless Steel Slotted Grate - Class A	3,021.00
-GDF	Galvanized Ductile Grate - Class F	1,636.00
-GG	Fiberglass Grate - Class A	1,166.00
-SBG	Stainless Steel Bar Grate - Class E	4,210.00
PART NO.	EACH	
-E3/U3	3" (76.2mm) End/Bottom Outlet	32.00
-E4/U4	4" (101.6mm) End/Bottom Outlet	32.00
-E6/U6	6" (152.4mm) End/Bottom Outlet	52.00
-E8/U8	8" (203.2mm) End/Bottom Outlet	67.00
-IA6	6" (152.4mm) Inlet Adapter	63.00
-IA12	12" (304.8mm) Inlet Adapter	99.00
-EXT	12" (304.8mm) Stackable Body Extension - For 24" (609.6mm) Only	587.00
-Y6	6" (152.4mm) Sediment Bucket	327.00
-Y12	12" (304.8mm) Sediment Bucket	464.00
-Y24	24" (609.6mm) Sediment Bucket	564.00
-YS6	6" (152.4mm) Stainless Steel Sediment Bucket	564.00
-YS12	12" (304.8mm) Stainless Steel Sediment Bucket	695.00
-YS24	24" (609.6mm) Stainless Steel Sediment Bucket	1,464.00

\*Regularly furnished unless otherwise specified.

‡Indicates grate will be shipped unpainted. For an additional charge, Zurn will paint the grates. Please contact your customer service representative for pricing.

For additional product information, please visit [www.zurn.ca](http://www.zurn.ca)

# ZS880 STAINLESS STEEL LINEAR SHOWER DRAIN

Standard Grate: -LS (Linear Slotted)

## ENGINEERING SPECIFICATION

ZS880 All Type 304 (CF8) Fabricated Stainless Steel Linear Shower Drain. Complete with vertically adjustable anchoring support legs, anti-ponding V-shaped channel with 2" No-Hub outlet, adjustable secured leveling frame with integral tiling edge, and secured, light-duty, slotted heel-proof grate

## NOTES

\*\*ZR Includes cost add for grate finish.



-LS



-BW



-DB



-SG



-TG (Tile By Others)



-WG

PREFIX	DESCRIPTION	PRODUCT DESIGNATION	APPROX WT. LBS.	GRATE OPEN AREA SQ. IN.	LIST PRICE/EACH
ZS*	Type 304 (CF8) Stainless Steel	-12	2.9	6	1,476.00
		-28	5.4	15	1,517.00
		-32	5.9	18	1,528.00
		-36	6.4	20	1,539.00
		-40	7.2	22	1,595.00
		-48	8.4	27	1,710.00
		-60	10.3	34	1,928.00
OUTLET ADAPTERS					ADD/EACH
2	Two-Outlet Drain Body				94.00
3	Three-Outlet Drain Body				184.00
EO	End Outlet				N/C
FS	Outlet Filter Screen				38.00
STANDARD GRATE OPTIONS					LIST/EACH
LS*	Linear Slotted	-12			386.00
		-28			396.00
		-32			403.00
		-36			406.00
		-40			416.00
		-48			448.00
		-60			472.00
DECORATIVE GRATE OPTIONS					LIST/EACH
BW	Basket Weave	-12			412.00
		-28			444.00
		-32			456.00
		-36			467.00
		-40			482.00
		-48			532.00
		-60			574.00
DB	Decorative Block Grate	-12			412.00
		-28			444.00
		-32			456.00
		-36			467.00
		-40			482.00
		-48			532.00
		-60			574.00
SG	Serenity Grate	-12			412.00
		-28			444.00
		-32			456.00
		-36			467.00
		-40			482.00
		-48			532.00
		-60			574.00
TG	Tile Inlay Grate	-12			412.00
		-28			444.00
		-32			456.00
		-36			467.00
		-40			482.00
		-48			532.00
		-60			574.00
WG	Slotted Wave Grate	-12			412.00
		-28			444.00
		-32			456.00
		-36			467.00
		-40			482.00
		-48			532.00
		-60			574.00

# Z890 6" STAINLESS STEEL TRENCH DRAIN SYSTEM



Standard Length: 80"  
Standard Grate Included: FS or PS

## ENGINEERING SPECIFICATION

Channels shall be 80" long, 6" wide, and have a 4" wide throat. Modular channel sections shall be made of 16-gauge 304 stainless steel and shall be provided with a neoprene gasket for flanged connections. Channel shall be provided either flat (neutral) or with a 1.04% pre-slope. Channels shall be available with inverts ranging from 3.5" to 16.00". Choices of class A thru E grates shall be available with H-20 and/or FAA load ratings and/or ADA compliance with mechanical lockdown devices. End caps and catch basins shall be available to complement the channels and grates. End outlets, bottom outlets, and side outlets shall be available in 2", 3", 4", and 6" diameters. Trench drain shall be Flo-Thru model Z890.

## NOTES

Type 316 Stainless Steel trench is available upon request. Please call customer care for pricing and lead time.

PART NO.	5' (1524MM) SLOPED & NEUTRAL SECTIONS	EACH
8901-8910	Stainless Steel Channel System - (Includes Lockdowns)	3,129.00

PART NO.	GRATE OPTIONS	EACH
-FS	Fabricated Stainless Steel Slotted Grate - Class A	428.00
-GG	Fiberglass Grate - Class A	273.00
-HPS	Heel-Proof Stainless Steel Slotted Grate - Class A	308.00
-PS	Perforated Stainless Steel Grate - Class A	389.00
-PSR	Stainless Steel Perforated Reverse Punch Grate - Class A	189.00
-RFSC	Reinforced Stainless Steel Slotted Grate - Class C	911.00
-RPSC	Reinforced Stainless Steel Perforated Grate - Class C	908.00
-RPSRC	Reinforced Stainless Steel Perforated Reverse Punch Anti-Slip ADA Grate - Class B	578.00
-SBG	Stainless Steel Bar Grate - Class E	431.00
-SCD	Stainless Steel Circular Decorative Grate - Class B	525.00
-SDD	Stainless Steel Diagonal Decorative Grate - Class B	510.00
-SOD	Stainless Steel Decorative Grate - Class B	POA

PART NO.	GRATES 24" (609.6MM) X 24" (609.6MM)	EACH
P890-E1	Closed End Cap	571.00
P890-E2	2" (50.87mm) No-Hub End Outlet	571.00
P890-E3	3" (76.2mm) No-Hub End Outlet	571.00
P890-E4	4" (101.6mm) No-Hub End Outlet	571.00
P890-U2	2" (50.87mm) No-Hub Bottom Outlet	571.00
P890-U3	3" (76.2mm) No-Hub Bottom Outlet	571.00
P890-U4	4" (101.6mm) No-Hub Bottom Outlet	571.00
P890-GL	Grate Lockdown (Per 5' (1524mm) Channel)	67.00
P890-K	Anchor Flange (Per 5' (1524mm) Channel)	209.00
P890-KC	Clamp Collar and Pan with Weep Holes (Per 5' (1524mm) Channel)	344.00
P890-VP	Vandal-Proof Center Lockdown	18.00
P890-DB	2" (50.87mm), 3" (76.2mm), 4" (101.6mm) Bottom Drop in Bucket	407.00

MISCELLANEOUS OPTIONS	ADD/FOOT	
-VG	Viton Gasket	146.00

Trench Number	Shallow Invert		Deep Invert		Flow Rate			Approx. Wt.	
	In.	mm	In.	mm	cfs	gpm	lps	lb	Kg
89001	3.5	89	4.13	105	6	97	0.216	20	9
89002	4.13	105	4.76	121	8	124	0.276	21	9.5
89002N	-	-	-	-	-	-	-	22	10
89003	4.76	121	5.39	137	10	151	0.336	23	10.4
89004	5.39	137	6.02	153	11	179	0.399	24	10.9
89004N	-	-	-	-	-	-	-	25	11.3
89005	6.02	153	6.65	169	13	207	0.461	26	11.8
89006	6.65	169	7.28	185	15	235	0.524	27	12.2
89006N	-	-	-	-	-	-	-	28	12.7
89007	7.28	185	7.91	201	17	263	0.586	29	13.1
89008	7.91	201	8.54	217	18	292	0.651	30	13.6
89008N	-	-	-	-	-	-	-	31	14
89009	8.54	217	9.17	233	20	321	0.715	32	14.5
89010	9.17	233	9.8	249	22	349	0.778	34	15.4
89010N	-	-	-	-	-	-	-	35	15.9
89011	9.8	249	10.43	265	24	378	0.842	35	15.9
89012	10.43	265	11.06	281	26	407	0.907	37	16.8
89012N	-	-	-	-	-	-	-	38	17.2
89013	11.06	281	11.69	297	28	436	0.971	39	17.7
89014	11.69	297	12.32	313	29	465	1.036	40	18.1
89014N	-	-	-	-	-	-	-	41	18.6
89015	12.32	313	12.95	329	31	494	1.101	42	19
89016	12.95	329	13.58	345	33	523	1.165	43	19.5
89016N	-	-	-	-	-	-	-	44	20
89017	13.58	345	14.21	361	35	552	1.23	45	20.4
89018	14.21	361	14.84	377	37	581	1.295	46	20.8
89018N	-	-	-	-	-	-	-	47	21.3
89019	14.84	377	15.47	393	39	610	1.359	48	21.8
89020	15.47	393	16.1	409	40	639	1.424	49	22.2

\*Regularly furnished unless otherwise specified.

†Indicates grate will be shipped unpainted. For an additional charge, Zurn will paint the grates. Please contact your customer service representative for pricing.

For additional product information, please visit [www.zurn.com](http://www.zurn.com)

PERMA-TRENCH®

STAINLESS / SANI-FLO®

SLOT DRAIN / HI-CAP®

ALUMINUM TRENCH

FIBERGLASS

FRAME AND GRATE SYSTEMS

OIL SEPARATORS

# Z895 12" STAINLESS STEEL TRENCH DRAIN SYSTEM



Standard Length: 96"  
Standard Grate Included: FS or PS

## ENGINEERING SPECIFICATION

Channels shall be 96" long, 12" wide, and have a 9-1/4" wide throat. Modular channel sections shall be made of 12-gauge 304 stainless steel. Channel shall be provided with no slope (neutral) or with a 1.04% built-in slope. Channels shall be available with inverts ranging from 6.00" to 18.50". Choices of class A thru C grates shall be available with H-20 and/or FAA load ratings and/or ADA compliance with mechanical lockdown devices. End caps and catch basins shall be available to complement the channels and grates. End outlets, bottom outlets, and side outlets shall be available in 4", 6", and 8" diameters. Trench drain shall be Flo-Thru model Z895.

## NOTES

Type 316 Stainless Steel trench is available upon request. Please call customer care for pricing and lead time.

## MADE IN THE U.S.A. (HIGHLIGHTED IN GRAY)

PREFIX	DESCRIPTION	CHANNEL NUMBER	LIST PRICE/EACH	LIST PRICE/FOOT
Z*	96" #12-Gauge Type 304 Stainless Steel Trench with Stamped Stainless Steel Grate with Four Stainless Steel Lockdowns	89501 thru 89515	11,567.00	1,446.00
OPTIONS				ADD/EACH
<b>Endcaps/Outlet</b>				<b>750.00</b>
GRATE OPTIONS			ADD/EACH	ADD/FOOT
P12-FS	Fabricated Stainless Steel Slotted Grate - Class A		922.00	461.00
P12-GG	Fiberglass Grate (Not Made in U.S.A. Configurable) - Class A		1,494.00	301.00
P12-PS	Stainless Steel Perforated Grate - Class A		1,239.00	620.00
P12-PSR	Stainless Steel Perforated Reverse Punch Grate - Class A		3,092.00	621.00
P12-RFSC	Reinforced Stainless Steel Slotted Grate - Class C		1,708.00	854.00
P12-RPSC	Reinforced Stainless Steel Perforated Grate - Class C		1,832.00	916.00
P12-RPSRC	Reinforced Stainless Steel Perforated Reverse Punch Anti-Slip Grate - Class B		4,569.00	916.00
P12-SBG-L	Stainless Steel Bar Grate - Class C		2,842.00	1,421.00
P12-SSCD	Reinforced Stainless Steel Solid Cover - Class B		3,954.00	793.00
MISCELLANEOUS OPTIONS			ADD/EACH	ADD/FOOT
P895-K	Anchor Flange		1,412.00	285.00
P895-KC	Clamp Collar and Pan with Weep Holes		2,123.00	427.00
P895-VG	Viton Gasket		N/C	N/C
P895-VP	Vandal-Proof Center Lockdown		102.00	21.00
				ADD/EACH
P895-DB	Bottom Drop-In Bucket			606.00
SERVICE CHARGES				ADD/EACH
Fabrication - 45°; 90°; Tee Fabs				5,984.00
- Cross Fabs				11,961.00

Trench Number	Shallow Invert		Deep Invert		Flow Rate			Approx. Wt.	
	In.	mm	In.	mm	cfs	gpm	lps	lb	Kg
89501	6.00	152	6.63	168	548	35	1.221	70	31.7
89502	6.63	168	7.25	184	652	41	1.453	73	33.1
89502N	7.25	184	7.25	184	-	-	-	74	33.5
89503	7.25	184	7.88	200	759	48	1.691	76	34.5
89504	7.88	200	8.50	216	868	55	1.934	80	36.3
89504N	8.50	216	8.50	216	-	-	-	81	36.7
89505	8.50	216	9.13	232	978	62	3.179	83	37.6
89506	9.13	232	9.75	248	1090	69	2.429	86	39
89506N	9.75	248	9.75	248	-	-	-	87	39.4
89507	9.75	248	10.38	264	1203	76	2.68	90	40.8
89508	10.38	264	11.00	279	1316	83	2.932	93	42.2
89508N	11.00	279	11.00	279	-	-	-	94	42.6
89509	11.00	279	11.63	295	1431	91	3.189	96	43.5
89510	11.63	295	12.25	311	1546	98	3.445	99	44.9
89511	12.25	311	12.88	327	1662	105	3.703	103	46.7
89512	12.88	327	13.50	343	1779	113	3.964	106	48
89512N	13.50	343	13.50	343	-	-	-	107	48.5
89513	13.50	343	14.13	359	1896	120	4.225	109	49.4
89514	14.13	359	14.75	375	2013	127	4.485	113	51.2
89514N	14.75	375	14.75	375	-	-	-	114	51.7
89515	14.75	375	15.38	391	2113	135	4.748	116	52.6
89516	15.38	391	16.00	406	2249	142	5.011	119	54
89516N	16.00	406	16.00	406	-	-	-	120	54.4
89517	16.00	406	16.63	422	2368	150	5.276	122	55.3
89518	16.63	422	17.25	438	2487	157	5.541	126	57.1
89518N	17.25	438	17.25	438	-	-	-	127	57.6
89519	17.25	438	17.88	454	2606	165	5.807	129	58.5
89520	17.88	454	18.50	470	2752	174	6.132	132	59.9

For additional product information, please visit [www.zurn.ca](http://www.zurn.ca)

\*Regularly furnished unless otherwise specified.

†Indicates grate will be shipped unpainted. For an additional charge, Zurn will paint the grates. Please contact your customer service representative for pricing.

PERMA-TRENCH®

STAINLESS / SANI-FLO®

SLOT DRAIN / HI-CAP®

ALUMINUM TRENCH

FIBERGLASS

FRAME AND GRATE SYSTEMS

OIL SEPARATORS

# Z898 18" WIDE TRENCH DRAIN SYSTEM

Standard length: 60"  
Standard grate: FS

## ENGINEERING SPECIFICATION

18" Wide Pre-Sloped Trench Drainage System with 1/8" per foot slope. #12 Gage Type 304 Stainless Steel drain channel with bolted flanged connection complete with rubber neoprene flange gasket, and stamped stainless steel grate.

PREFIX	DESCRIPTION	CHANNEL NUMBER	LIST PRICE/EACH	LIST PRICE/FOOT
Z*	#12 Gage Type 304 Stainless Steel Trench	89801 through 89806	3,146.00	1,574.00
Z*	#12 Gage Type 304 Stainless Steel Trench	89807 through 89820	4,044.00	2,023.00
<b>ENDCAP/OUTLET OPTIONS</b>				<b>ADD/EACH</b>
<b>Endcaps/Outlet</b>				<b>1,050.00</b>
<b>GRATE OPTIONS - NO STANDARD GRATE</b>				<b>ADD/EACH</b> <b>ADD/FOOT</b>
-RFS	Fabricated Stainless Steel Slotted Grate - Class A		5,265.00	2,634.00
-RFSC	Fabricated Stainless Steel Slotted Grate - Class C		5,538.00	2,770.00
-RPS	Stainless Steel Perforated Grate - Class A		5,265.00	2,634.00
-SBG	Stainless Steel Bar Grate - Class A		4,050.00	2,026.00
-GG	Fiberglass Grate - Class A		1,062.00	532.00
<b>MISCELLANEOUS OPTIONS</b>				<b>ADD/EACH</b>
-DB	Bottom Drop-In Bucket			606.00
<b>SERVICE CHARGES</b>				<b>ADD/EACH</b>
<b>Fabrication</b> - 45°; 90°; Tee Fabs				<b>7,181.00</b>
- Cross Fabs				<b>14,350.00</b>

Trench Number	Overall Depth				Max. Flow Rate			Approx. Wt. (Less Grates)	
	A Min.		B Max.		cfs	gpm	lps	lb	Kg
	In.	mm	In.	mm					
89801	6.00	152	6.63	168	1	640	40	60	27
89802	6.63	168	7.25	184	2	805	51	62	28
89802N	7.25	184	7.25	184	-	-	-	64	29
89803	7.25	184	7.88	200	2	982	62	65	29
89804	7.88	200	8.50	216	3	1167	74	67	30
89804N	8.50	216	8.50	216	-	-	-	68	31
89805	8.50	216	9.13	232	3	1361	86	69	31
89806	9.13	232	9.75	248	3	1562	99	72	33
89806N	9.75	248	9.75	248	-	-	-	73	33
89807	9.75	248	10.38	264	4	1769	112	74	34
89808	10.38	264	11.00	279	4	1982	125	76	34
89808N	11.00	279	11.00	279	-	-	-	77	35
89809	11.00	279	11.63	295	5	2200	139	78	35
89810	11.63	295	12.25	311	5	2423	153	81	37
89810N	12.25	311	12.25	311	-	-	-	82	37
89811	12.25	311	12.88	327	6	2651	167	83	38
89812	12.88	327	13.50	343	6	2882	182	85	39
89812N	13.50	343	13.50	343	-	-	-	86	39
89813	13.50	343	14.13	359	7	3117	197	88	40
89814	14.13	359	14.75	375	7	3356	212	90	41
89814N	14.75	375	14.75	375	-	-	-	91	41
89815	14.75	375	15.38	391	8	3597	227	92	42
89816	15.38	391	16.00	406	9	3841	242	95	43
89816N	16.00	406	16.00	406	-	-	-	96	44
89817	16.00	406	16.63	422	9	4089	258	97	44
89818	16.63	422	17.25	438	10	4338	274	99	45
89818N	17.25	438	17.25	438	-	-	-	100	45
89819	17.25	438	17.88	454	10	4590	290	102	46
89820	17.88	454	18.50	470	11	4844	306	104	47

\*Regularly furnished unless otherwise specified.

‡Indicates grate will be shipped unpainted. For an additional charge, Zurn will paint the grates. Please contact your customer service representative for pricing.

For additional product information, please visit [www.zurn.ca](http://www.zurn.ca)



# Z894 24" WIDE TRENCH DRAIN SYSTEM

Standard length: 24"  
Standard grate: FS

## ENGINEERING SPECIFICATION

24" Wide Pre-Sloped Trench Drainage System with 1/8" per foot slope. #12 Gage Type 304 Stainless Steel drain channel with bolted flanged connection complete with rubber neoprene flange gasket, and stamped stainless steel grate.

PREFIX	DESCRIPTION	CHANNEL NUMBER	LIST PRICE/ EACH	LIST PRICE/ FOOT
Z*	#12 Gage Type 304 Stainless Steel Trench	Section 1-6 (6"-9.75" invert)	3,789.00	1,895.00
Z*	#12 Gage Type 304 Stainless Steel Trench	Section 7-12 (9.75"- 13.5")	4,271.00	2,136.00
<b>ENDCAP/OUTLET OPTIONS</b>				<b>ADD/EACH</b>
<b>Endcaps/Outlet</b>				<b>574.00</b>
<b>GRATE OPTIONS - NO STANDARD GRATE</b>				<b>ADD/EACH ADD/FOOT</b>
-FS	Fabricated Stainless Steel Slotted Grate - Class A		4,572.00	2,287.00
-PS	Fabricated Stainless Steel Perforated Grate - Class A		4,572.00	2,287.00
-RFS	Fabricated Stainless Steel Slotted Grate - Class C		5,875.00	2,938.00
-RPS	Stainless Steel Perforated Grate - Class C		5,875.00	2,938.00
-SBG	Stainless Steel Bar Grate - Class A		12,844.00	6,424.00
-GG	Fiberglass Grate - Class A		1,936.00	969.00
<b>MISCELLANEOUS OPTIONS</b>				<b>ADD/EACH</b>
-DB	Bottom Drop-In Bucket			606.00
<b>SERVICE CHARGES</b>				<b>ADD/EACH</b>
<b>Fabrication</b> - 45°; 90°; Tee Fabs				<b>6,402.00</b>
- Cross Fabs				<b>12,795.00</b>

Trench Number	Overall Depth				Max. Flow Rate			Approx. Wt. (Less Grates)	
	A Min.		B Max.		cfs	gpm	lps	lb	Kg
	In.	mm	In.	mm					
89401	6.00	152	6.63	168	3	1299	82	70	32
89402	6.63	168	7.25	184	4	1636	103	72	33
89402N	7.25	184	7.25	184	-	-	-	73	33
89403	7.25	184	7.88	200	4	1991	126	74	34
89404	7.88	200	8.50	216	5	2362	149	76	34
89404N	8.50	216	8.50	216	-	-	-	77	35
89405	8.50	216	9.13	232	6	2746	173	78	35
89406	9.13	232	9.75	248	7	3142	198	80	36
89406N	9.75	248	9.75	248	-	-	-	81	37
89407	9.75	248	10.38	264	8	3548	224	82	37
89408	10.38	264	11.00	279	9	3963	250	84	38
89408N	11.00	279	11.00	279	-	-	-	85	39
89409	11.00	279	11.63	295	10	4387	277	86	39
89410	11.63	295	12.25	311	11	4817	304	88	40
89410N	12.25	311	12.25	311	-	-	-	89	40
89411	12.25	311	12.88	327	12	5253	331	90	41
89412	12.88	327	13.50	343	13	5696	359	92	42
89412N	13.50	343	13.50	343	-	-	-	93	42
89413	13.50	343	14.13	359	14	6143	388	94	43
89414	14.13	359	14.75	375	15	6595	416	96	44
89414N	14.75	375	14.75	375	-	-	-	97	44
89415	14.75	375	15.38	391	16	7051	445	98	44
89416	15.38	391	16.00	406	17	7512	474	100	45
89416N	16.00	406	16.00	406	-	-	-	101	46
89417	16.00	406	16.63	422	18	7975	503	102	46
89418	16.63	422	17.25	438	19	8442	533	104	47
89418N	17.25	438	17.25	438	-	-	-	105	48
89419	17.25	438	17.88	454	20	8912	562	106	48
89420	17.88	454	18.50	470	21	9385	592	108	49

For additional product information, please visit [www.zurn.ca](http://www.zurn.ca)

\*Regularly furnished unless otherwise specified.

†Indicates grate will be shipped unpainted. For an additional charge, Zurn will paint the grates. Please contact your customer service representative for pricing.

PERMA-TRENCH®

STAINLESS / SANI-FLO®

SLOT DRAIN / HI-CAP®

ALUMINIUM TRENCH

FIBERGLASS

FRAME AND GRATE SYSTEMS

OIL SEPARATORS

## Z899-100 ELEVATOR TRENCH DRAIN SYSTEM



Standard Length: 5'

### ENGINEERING SPECIFICATION

Channels shall be 5' long, 3/4" wide slot and have a 2-1/4" wide throat. Modular channel sections shall be made of 16-gauge type 304 stainless steel. Channel shall be provided with no slope (neutral) or with a 1.04% built-in slope. Channels shall be available with inverts ranging from 4" to 16.5". End caps and catch basins shall be available to complement the channels. Trench drain shall be Flo-Thru model Z891.

### NOTES

Type 316 Stainless Steel trench is available upon request. Please call customer care for pricing and lead time.

MADE IN THE U.S.A. (HIGHLIGHTED IN GRAY)			
PREFIX	DESCRIPTION	CHANNEL NUMBER	LIST PRICE
Z*	Type 304 Stainless Steel (regularly furnished) - Custom sizes from 36"-96" with SWG Stainless Wire Grate	Z899-100-36-SWG	12,626.00
		Z899-100-48-SWG	16,823.00
		Z899-100-60-SWG	21,031.00
		Z899-100-72-SWG	25,229.00
		Z899-100-96-SWG	33,640.00
	Z899-100-SWG (per foot)	4,884.00	
Z*	Type 304 Stainless Steel (regularly furnished) - Custom sizes from 36"-96" with -FS Fabricated Slotted Stainless Steel Grate	Z899-100-36-FS	13,291.00
		Z899-100-48-FS	17,717.00
		Z899-100-60-FS	22,144.00
		Z899-100-72-FS	26,574.00
		Z899-100-96-FS	35,422.00
	Z899-100-FS (per foot)	5,093.00	
SUFFIX OPTIONS			ADD/EACH
-P	1/2" Trap Primer Connection		737.00
-LAS	Less Anchor Straps		N/C
-BPC	Black Powder Coating		374.00

## Z891 STAINLESS STEEL SLOTTED DRAINAGE SYSTEM



Standard Length: 5'

### ENGINEERING SPECIFICATION

Channels shall be 5' long, 3/4" wide slot and have a 2-1/4" wide throat. Modular channel sections shall be made of 16-gauge type 304 stainless steel. Channel shall be provided with no slope (neutral) or with a 1.04% built-in slope. Channels shall be available with inverts ranging from 4" to 16.5". End caps and catch basins shall be available to complement the channels. Trench drain shall be Flo-Thru model Z891.

### NOTES

Type 316 Stainless Steel trench is available upon request. Please call customer care for pricing and lead time.

PREFIX	DESCRIPTION	LIST PRICE/ EACH	LIST PRICE/ FOOT
Z*	5' #16 Gauge Type 304 Modular Stainless Steel Slotted Trench Drain with Bolted Flange Connection	4,636.00	930.00

MADE IN THE U.S.A. (HIGHLIGHTED IN GRAY)			
OUTLET ADAPTERS	ADD/EACH		
P891-E1	Closed End Cap	606.00	
P891-E2	2" No-Hub End Outlet	606.00	
P891-U2	2" No-Hub Bottom Outlet	606.00	
MISCELLANEOUS OPTIONS	ADD/EACH	ADD/FOOT	
P891-HD	Class E Heavy Duty Reinforcement	1,614.00	325.00
P891-K	Waterproofing Flange	1,220.00	247.00
P891-KC	Pan and Clamping Collar with Weep Holes	1,820.00	366.00

Trench Number	Shallow Invert		Deep Invert		Flow Rate			Approx. Wt.	
	In.	mm	In.	mm	cfs	gpm	lps	lb	Kg
89101	4	102	4.63	118	51	3	194	15	6.8
89102	4.63	118	5.25	133	67	4	255	16	7.3
89103	5.25	133	5.88	149	84	5	316	17	7.7
89104	5.88	149	6.50	165	100	6	378	18	8.2
89105	6.50	165	7.13	181	117	7	441	19	8.6
89106	7.13	181	7.75	197	135	8	504	20	9.1
89107	7.75	197	8.38	213	150	9	568	21	9.6
89108	8.38	213	9.00	229	167	11	632	22	10
89109	9.00	229	9.63	245	184	12	696	23	10.5
89110	9.63	245	10.00	260	201	13	760	24	10.9

\*Regularly furnished unless otherwise specified.

‡Indicates grate will be shipped unpainted. For an additional charge, Zurn will paint the grates. Please contact your customer service representative for pricing.

For additional product information, please visit [www.zurn.ca](http://www.zurn.ca)

# Z893 STAINLESS STEEL FLOOR RECEPTOR WITH BAR GRATE



## ENGINEERING SPECIFICATION

Channels are made of #14 ga. fabricated Stainless Steel conforming to ASTM A-240 (Type 304). Channels weigh less than 4.15 lb per linear foot, have a smooth, 1.5" radiused self cleaning bottom with a Manning's coefficient of .009. Channels have feet for patty pour or leveling studs standard to secure trench in its final location with 4" No-Hub bottom outlet. All welds must be performed by a certified welder per ASTM standard AWS D1.6. Channels to be produced in the U.S.A.

## NOTES

Standard size units are shown, special sizes are available upon request.

SIZE W" X L"	GRATE WIDTH	SBG QTY.	LIST PRICE	-SBG LIST	-RFS LIST	-RPS LIST
12x 24	11.25	1	5,411.00	1,519.00	2,413.00	2,413.00
12x 30	11.25	2	6,224.00	3,036.00	4,150.00	4,150.00
12x 36	11.25	2	6,224.00	3,036.00	4,370.00	4,370.00
12x 48	11.25	2	6,512.00	3,036.00	4,814.00	4,814.00
12x 60	11.25	3	7,323.00	4,552.00	6,776.00	6,776.00
12x 72	11.25	3	9,625.00	4,552.00	7,218.00	7,218.00
12x 84	11.25	4	10,385.00	6,067.00	9,181.00	9,181.00
12x 96	11.25	4	11,700.00	6,067.00	9,625.00	9,625.00
12x 108	11.25	5	12,896.00	7,584.00	11,585.00	11,585.00
12x 120	11.25	5	12,896.00	7,584.00	12,029.00	12,029.00
18x 24	17.25	1	8,752.00	1,619.00	2,720.00	2,720.00
18x 30	17.25	2	13,394.00	3,234.00	4,611.00	4,611.00
18x 36	17.25	2	13,394.00	3,234.00	4,883.00	4,883.00
18x 48	17.25	2	13,873.00	3,234.00	5,513.00	5,286.00
18x 60	17.25	3	17,739.00	4,850.00	7,595.00	7,595.00
18x 72	17.25	3	21,158.00	4,850.00	8,145.00	8,145.00
18x 84	17.25	4	22,594.00	6,467.00	10,308.00	10,308.00
18x 96	17.25	4	22,658.00	6,467.00	10,857.00	10,857.00
18x 108	17.25	5	27,536.00	8,083.00	13,022.00	13,022.00
18x 120	17.25	5	27,536.00	8,083.00	13,571.00	13,571.00
24x 24	23.25	2	12,905.00	2,557.00	8,424.00	8,424.00
24x 30	23.25	2	11,220.00	5,113.00	12,446.00	12,446.00
24x 36	23.25	2	11,220.00	5,113.00	13,913.00	13,913.00
24x 48	23.25	3	13,906.00	7,667.00	19,399.00	19,399.00
24x 60	23.25	3	14,479.00	7,667.00	22,333.00	22,333.00
24x 72	23.25	4	17,630.00	10,222.00	27,821.00	27,821.00
24x 84	23.25	5	21,206.00	12,776.00	33,305.00	33,305.00
24x 96	23.25	5	22,457.00	12,776.00	36,239.00	36,239.00
24x 108	23.25	6	25,144.00	15,332.00	41,727.00	41,727.00
24x 120	23.25	6	29,206.00	15,332.00	44,658.00	44,658.00

Size	No. of Grates	Dimensions in Inches [mm]					
		A		B		C	
		In.	mm	In.	mm	In.	mm
12	1	14.3	363	24	610	4	102
	2						
	3						
	5						
18	1	20.3	516	24	610	4	102
	2						
	3						
	5						
24	1	26.6	676	24	610	4	102
	2						
	3						
	5						

PERMA-TRENCH®

STAINLESS / SAN-FLO®

SLOT DRAIN / HI-CAP®

ALUMINUM TRENCH

FIBERGLASS

FRAME AND GRATE SYSTEMS

OIL SEPARATORS

# Z897 STAINLESS STEEL CATCH BASIN



Standard Grate Included: FS or PS

## ENGINEERING SPECIFICATION

Catch Basins shall be 6" wide x 20" long x 20" deep, 12" wide x 24" long x 24" deep, or 24" wide x 24" long x 24" deep and shall be made of #16- or #12-gauge 304 stainless steel. Choices of class A thru E grates shall be available with H-20, FAA, and/or ADA compliance. Outlets in 2", 3", 4", 6", and 8" diameters shall be available. Catch Basin shall be Flo-Thru model Z897.

## NOTES

Type 316 Stainless Steel trench is available upon request. Please contact customer care for pricing and lead time. Please contact customer care for mechanical lockdown availability and pricing.

PREFIX	DESCRIPTION	NOMINAL SIZE	APPROX. WT. LBS. (LESS GRATES)	STANDARD PRICE
Z*	Stainless Steel Catch Basin	6x20	49	9,442.00
		12x24	67	11,024.00
		24x24	88	12,598.00

OUTLET OPTIONS			
2", 3", 4", 6"			549.00

GRATE OPTIONS		6X20 (P6-OPTION)	12X24 (P12-OPTION)	24X24 (P24-OPTION)
-GG	Fiberglass Grate - Class A	300.00	301.00	1,166.00
-HPS	Heel-Proof Stainless Steel Slotted Grate - Class A	488.00	-	-
-RFSC	Reinforced Stainless Steel Slotted Grate - Class C	276.00	854.00	-
-RPSC	Reinforced Stainless Steel Perforated ADA Grate - Class C	273.00	916.00	-
-RPSRC	Reinforced Stainless Steel Perforated Reverse Punch Anti-Slip ADA Grate - Class C	629.00	833.00	-
-SBG	Stainless Steel Bar Grate - Class E	469.00	-	-
-SCD	Stainless Steel Circular Decorative Grate - Class B	488.00	-	-
-SDD	Stainless Steel Diagonal Decorative Grate - Class B	488.00	-	-
-SOD	Stainless Steel Decorative Grate - Class B	488.00	-	-

## MADE IN THE U.S.A. (HIGHLIGHTED IN GRAY)

GRATE OPTIONS		6X20	12X24	24X24
-FS	Fabricated Stainless Steel Slotted Grate - Class A	131.00	462.00	3,021.00
-PS	Perforated Stainless Steel Grate - Class A	119.00	621.00	4,046.00
-SBG-L	Stainless Steel Bar Grate - Class C	-	761.00	-

MISCELLANEOUS OPTIONS				ADD/EACH
-K	Anchor Flange	260.00	448.00	637.00
-KC	Clamp Collar and Pan	387.00	571.00	760.00
-VP	Vandal-Proof Center Lockdown	197.00	197.00	197.00
-YS	Stainless Steel Sediment Bucket	544.00	787.00	1,323.00

PERMA-TRENCH®

STAINLESS / SANI-FLO®

SLOT DRAIN / HI-CAP®

ALUMINUM TRENCH

FIBERGLASS

FRAME AND GRATE SYSTEMS

OIL SEPARATORS

\*Regularly furnished unless otherwise specified.

‡Indicates grate will be shipped unpainted. For an additional charge, Zurn will paint the grates. Please contact your customer service representative for pricing.

For additional product information, please visit [www.zurn.ca](http://www.zurn.ca)

# NOTES

PERMA-TRENCH®

STAINLESS / SANI-FLO®

SLOT DRAIN / HI-CAP®

ALUMINUM TRENCH

FIBERGLASS

FRAME AND GRATE SYSTEMS

OIL SEPARATORS

For additional product information, please visit [www.zurn.ca](http://www.zurn.ca)

## Z888-4 SLOTTED DRAINAGE SYSTEM



Standard Length: 40" (3.33')

### ENGINEERING SPECIFICATION

Slot drain shall be 40" long, 4" wide, and 8" invert with 1/2" slot opening (ADA compliant). Drain shall be made of High Density Polyethylene (HDPE) and be UV-10 stabilized. Drain shall have rebar clips molded onto bedding feet and/or bedding feet shall be used for positioning and anchoring purposes. Overlap connection shall be interlocked.

PART NO.	80" (2032MM) SECTIONS	EACH
P888-4	4" (101.6mm) Channel Only	745.00
PART NO.	EACH	
P888-4-E1	Closed End Cap	34.00
P888-4-E2	2" (50.87mm) No-Hub End Outlet	34.00
P888-4-E3	3" (76.2mm) No-Hub End Outlet	34.00
P888-4-E4	4" (101.6mm) No-Hub End Outlet	34.00
P888-4-U2	2" (50.87mm) No-Hub Bottom Outlet	38.00
P888-4-U3	3" (76.2mm) No-Hub Bottom Outlet	38.00
P888-4-U4	4" (101.6mm) No-Hub Bottom Outlet	38.00

## Z888-6 SLOTTED DRAINAGE SYSTEM



Standard Length: 40" (3.33')

### ENGINEERING SPECIFICATION

Slot drain shall be 40" long, 4" wide, and 11-3/4" invert with 1/2" slot opening (ADA compliant). Drain shall be made of High Density Polyethylene (HDPE) and be UV-10 stabilized. Drain shall have rebar clips molded onto bedding feet and/or bedding feet shall be used for positioning and anchoring purposes. Overlap connection shall be interlocked.

PART NO.	80" (2032MM) SECTIONS	EACH
P888-6	6" (152.4mm) Channel Only	809.00
PART NO.	EACH	
P888-6-E1	Closed End Cap	45.00
P888-6-E2	2" (50.87mm) No-Hub End Outlet	45.00
P888-6-E3	3" (76.2mm) No-Hub End Outlet	45.00
P888-6-E4	4" (101.6mm) No-Hub End Outlet	45.00
P888-6-U2	2" (50.87mm) No-Hub Bottom Outlet	45.00
P888-6-U3	3" (76.2mm) No-Hub Bottom Outlet	45.00
P888-6-U4	4" (101.6mm) No-Hub Bottom Outlet	45.00

## Z888-8 SLOTTED DRAINAGE SYSTEM



Standard Length: 40" (3.33')

### ENGINEERING SPECIFICATION

Slot drain shall be 40" long, 4" wide, and 17-5/8" invert with 1/2" wide slot opening (ADA compliant). Drain shall be made of High Density Polyethylene (HDPE) and be UV-10 stabilized. Drain shall have rebar clips molded onto bedding feet and/or bedding feet shall be used for positioning and anchoring purposes. Overlap connection shall be interlocked.

PART NO.	80" (2032MM) SECTIONS	EACH
P888-8	8" (203.2mm) Channel Only	987.00
PART NO.	EACH	
P888-8-E1	Closed End Cap	45.00
P888-8-E2	2" (50.87mm) No-Hub End Outlet	45.00
P888-8-E3	3" (76.2mm) No-Hub End Outlet	45.00
P888-8-E4	4" (101.6mm) No-Hub End Outlet	45.00
P888-8-U2	2" (50.87mm) No-Hub Bottom Outlet	45.00
P888-8-U3	3" (76.2mm) No-Hub Bottom Outlet	45.00
P888-8-U4	4" (101.6mm) No-Hub Bottom Outlet	45.00

\*Regularly furnished unless otherwise specified.

‡Indicates grate will be shipped unpainted. For an additional charge, Zurn will paint the grates. Please contact your customer service representative for pricing.

For additional product information, please visit [www.zurn.ca](http://www.zurn.ca)

## Z888-12,-18 HIGH CAPACITY TRENCH DRAIN SYSTEM SLOTTED DRAINAGE SYSTEM



Standard Length: 80" (6.67')

### ENGINEERING SPECIFICATION

Slot drain shall be 80" long, Z888-12 (14-1/4" deep and 12" wide) or Z888-18 (21" deep and 12" wide). Slot shall be 1-3/4" wide and have spacer bars at 5" intervals to keep sides of slot apart. Drain shall be made of Linear Low Density Polyethylene (LLDPE). Drain shall have tongue-and-groove interlocking ends and clips molded into the sides of the channel to accommodate vertical rebar for positioning and anchoring purposes. Drain shall be available with a choice of pedestrian, bicycle, FAA, and/or H-20 grates. End outlets, bottom outlets, and side outlets shall be available in 4", 6", 8", 12", 18", and 24" diameters along with Cleanout sections (Z889-12 and Z889-18). Slot drain shall be Flo-Thru model Z888-12 or Z888-18.

PART NO.	80" (2032MM) SECTIONS	EACH
P888-12	12" (304.8mm) Channel Only	1,416.00
P888-18	18" (457.2mm) Channel Only	1,680.00
PART NO.	EACH	
P888-12-E1	Closed End Cap	342.00
P888-12-E4	4" (101.6mm) No-Hub End Outlet	922.00
P888-12-E6	6" (152.4mm) No-Hub End Outlet	977.00
P888-12-E8	8" (203.2mm) No-Hub End Outlet	1,032.00
P888-12-E12	12" (204.8mm) No-Hub End Outlet	949.00
PART NO.	EACH	
P888-18-E1	Closed End Cap	409.00
P888-18-E8	8" (203.2mm) No-Hub End Outlet	658.00
P888-18-E12	12" (204.8mm) No-Hub End Outlet	787.00
P888-18-E18	18" (457.2mm) No-Hub End Outlet	1,695.00
P888-18-E24	24" (609.6mm) No-Hub End Outlet	1,695.00
PART NO.	EACH	
P888-12/18-HD	Steel Frame with Slot	1,320.00
P888-12/18-HDG	Galvanized Ductile Iron Frame with Slot	1,731.00
P888-12/18-HPD	Heel-Proof Ductile Iron Frame and Grate	1,320.00
P888-12/18-HPG	Galvanized Heel-Proof Ductile Iron Frame and Grate	1,731.00
P888-12/18-PSF	Pre-Sloped Frame	1,915.00
PART NO.	EACH	
P888-T12/18	Transition from -12 to -18	1,814.00
P888-T18/12	Transition from -18 to -12	1,853.00

## Z889-12,-18 HIGH CAPACITY CLEANOUT PORT



Standard Length: 24"

Standard Grate: H20 Ductile Frame/Grate

### ENGINEERING SPECIFICATION

Slot drain Cleanout Port shall be 24" long, Z889-12 (14-1/4" deep and 12" wide) or Z889-18 (21" deep and 12" wide). The grate shall be 8" wide. Cleanout Port shall be made of Linear Low Density Polyethylene (LLDPE), tongue-and-groove interlocking ends, and clips molded into the sides of the channel to accommodate vertical rebar for positioning and anchoring purposes. Cleanout Port shall be available with a choice of pedestrian, bicycle, FAA, and/or H-20 grates. End outlets, bottom outlets, and side outlets shall be available in 4", 6", 8", 12", 18", and 24" diameters. Slot drain Cleanout Port shall be Flo-Thru model Z889-12 or Z889-18.

PART NO.	80" (2032MM) SECTIONS	EACH
P889-12	12" (304.8mm) Channel Only	1,063.00
P889-18	18" (457.2mm) Channel Only	1,686.00
PART NO.	EACH	
P889-12-E1	Closed End Cap	342.00
P889-12-E4	4" (101.6mm) No-Hub End Outlet	922.00
P889-12-E6	6" (152.4mm) No-Hub End Outlet	977.00
P889-12-E8	8" (203.2mm) No-Hub End Outlet	1,032.00
P889-12-E12	12" (204.8mm) No-Hub End Outlet	949.00
PART NO.	EACH	
P889-18-E1	Closed End Cap	409.00
P889-18-E8	8" (203.2mm) No-Hub End Outlet	658.00
P889-18-E12	12" (204.8mm) No-Hub End Outlet	787.00
P889-18-E18	18" (457.2mm) No-Hub End Outlet	1,695.00
P889-18-E24	24" (609.6mm) No-Hub End Outlet	1,695.00
PART NO.	EACH	
P889-12/18-HD	Steel Frame with Slot	1,320.00
P889-12/18-HDG	Galvanized Ductile Iron Frame with Slot	1,731.00
P889-12/18-HPG	Galvanized Heel-Proof Ductile Iron Frame and Grate	1,731.00
P889-12/18-HPS	Stainless Steel Cast Heel-Proof Frame and Grate	1,320.00
P889-12/18-PSF	Pre-Sloped Frame	1,915.00
PART NO.	EACH	
P889-T12/18	Transition from -12 to -18	1,814.00
P889-T18/12	Transition from -18 to -12	1,853.00

## ZA880-156 EXTRUDED ALUMINUM TRENCH DRAIN SYSTEM



Standard Length: 8'  
Standard Grate Included: BZ

### ENGINEERING SPECIFICATION

Zurn ZA880-156 Extruded Aluminum Trench Drain System. 1.63" interior width x 4" overall height x 8' long. Complete with 1.5" wide flanges on side. Material to be Aluminum Alloy T-6063. Cast bronze decorative grate conforms to ASTM B584 Copper Alloy No. 844. Trench is anodized after extrusion to match grate color.

PREFIX	DESCRIPTION	NO. OF GRATES PER CHANNEL	PER EACH	PER FOOT
ZA*	8' Extruded Aluminum Trench Drain System	4	3,744.00	468.00
<b>OUTLET ADAPTERS</b>				<b>ADD/EACH</b>
PA880-156-E1	Closed End Cap			315.00
PA880-156-E1.5	1-1/2" No-Hub End Outlet			279.00
PA880-156-U1.5	1-1/2" No-Hub Bottom Outlet			279.00
<b>GRATE OPTIONS</b>				<b>ADD/EACH</b> <b>ADD/FOOT</b>
PA880-156-AWG	Aluminum Wire Grate - Class A		2,736.00	342.00
PA880-156-AZ	Aluminum Decorative Grate - Class A		2,504.00	313.00
PA880-156-BZ	Bronze Decorative Grate - Class A		2,504.00	313.00
PA880-156-NBZ	Nickel Bronze Decorative Grate - Class A		2,736.00	342.00
<b>MISCELLANEOUS OPTIONS</b>				<b>ADD/EACH</b> <b>ADD/FOOT</b>
PA880-K	Anchor Flange		272.00	34.00
PA880-KC	Clamp Collar and Pan (Includes -K)		7,328.00	916.00
PA880-LF	Leveling Feet		2,928.00	366.00
<b>SERVICE CHARGES</b>				<b>ADD/EACH</b>
Fabrication	- 45°; 90°; Tee Fabs			772.00
	- Cross Fabs			1,549.00

## ZA880-300A EXTRUDED ALUMINUM TRENCH DRAIN SYSTEM (PRICING WITHOUT GRATE)

### ENGINEERING SPECIFICATION

Zurn ZA880-300A Extruded Aluminum Trench Drain System. 3.00" interior width x 6" overall height x 8' long. Complete with 2" wide flanges on both sides. Material to be Aluminum Alloy T-6063. Available with aluminum, bronze, ductile iron, and nickel bronze grates. Trench is anodized after extrusion to match grate color.

## ZA880-300B EXTRUDED ALUMINUM TRENCH DRAIN SYSTEM (PRICING WITHOUT GRATE)

### ENGINEERING SPECIFICATION

Zurn ZA880-300B Extruded Aluminum Trench Drain System. 3.00" interior width x 6" overall height x 8' long. Complete with 1.5" wide flanges on both sides. Material to be Aluminum Alloy T-6063. Available with aluminum, bronze, ductile iron, and nickel bronze grates. Trench is anodized after extrusion to match grate color.

## ZA880-340 EXTRUDED ALUMINUM TRENCH DRAIN SYSTEM (PRICING WITHOUT GRATE)

### ENGINEERING SPECIFICATION

Zurn ZA880-340 Extruded Aluminum Trench Drain System. 3.00" interior width x 4" overall height x 8' long. Material to be Aluminum Alloy T-6063. Available with aluminum, bronze, and nickel bronze grates. Trench is anodized after extrusion to match grate color.

PREFIX	DESCRIPTION	NO. OF GRATES PER CHANNEL	CHANNEL NUMBER	PER EACH	PER FOOT
ZA	8' Extruded Aluminum Trench Drain System	4	880-300A	6,200.00	775.00
			880-300B	6,200.00	775.00
			880-340	6,200.00	775.00
<b>OUTLET ADAPTERS</b>				<b>ADD/EACH</b>	
PA880-300/340-E1	Closed End Outlet				366.00
PA880-300/340-U2	2" No-Hub Bottom Outlet Channel				407.00
<b>GRATE OPTIONS</b>				<b>ADD/EACH</b>	<b>ADD/FOOT</b>
PA880-300/340-AWG	Aluminum Wire Grate - Class A			3,320.00	415.00
PA880-300/340-AZ	Aluminum Decorative Grate - Class A			920.00	115.00
PA880-300/340-BZ	Bronze Decorative Grate - Class A			4,256.00	532.00
PA880-300/340-DOG	Ductile Decorative Grate - Class A			1,104.00	138.00
PA880-300/340-NBZ	Nickel Bronze Decorative Grate - Class A			5,912.00	739.00
<b>MISCELLANEOUS OPTIONS</b>				<b>ADD/EACH</b>	<b>ADD/FOOT</b>
PA880--K	Anchor Flange			272.00	34.00
PA880-KC	Clamp Collar and Pan (Includes -K)			7,328.00	916.00
PA880-LF	Leveling Feet (ZA880-340 Only)			384.00	48.00
<b>SERVICE CHARGES</b>				<b>ADD/EACH</b>	
Fabrication	- 45°; 90°; Tee Fabs				772.00
	- Cross Fabs				1,549.00

\*Regularly furnished unless otherwise specified.

†Indicates grate will be shipped unpainted. For an additional charge, Zurn will paint the grates. Please contact your customer service representative for pricing.

For additional product information, please visit [www.zurn.ca](http://www.zurn.ca)



# ZF806 6" WIDE TRENCH DRAIN SYSTEM



Standard Length: 10'  
Standard Grate Included: DGC

## ENGINEERING SPECIFICATION

Channels shall be 10' long, 6" wide, and have a 4" wide throat. Modular channel sections shall be made of Fiber Reinforced Polyester (FRP) fiberglass, have interlocking ends, and radiused bottom. Channel shall be provided with no slope or with a .75% built-in slope. Channels shall be available with inverts ranging from 4.75" to 12.85". Choices of class A thru F grates shall be available with H-20 and/or FAA load ratings and/or ADA compliance with mechanical lockdown devices. A heavy-duty steel frame shall be provided to distribute weight between the grates and the FRP fiberglass channel. End caps and catch basins shall be available to complement the channels and grates. End outlets, bottom outlets, and side outlets shall be available in 2", 3", 4", and 6" diameters. Trench drain shall be Flo-Thru model ZF806.

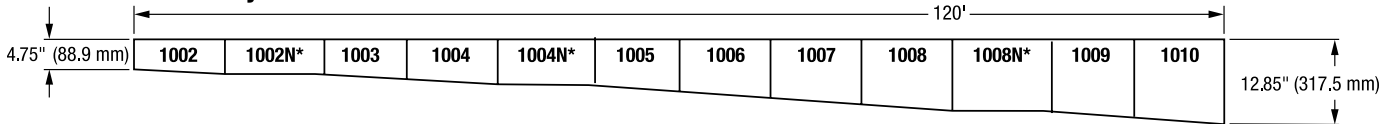
## NOTE

White acid resistant coating also available for frame and grate

Trench Number	Shallow Invert		Deep Invert		Flow Rate		
	In.	mm	In.	mm	cfs	gpm	lps
1002	4.75	121	5.65	144	0.326	146	9
1002N	5.65	144	5.65	144	-	-	-
1003	5.65	144	6.55	166	0.427	192	12
1004	6.55	166	7.45	189	0.53	238	15
1004N	7.45	189	7.45	189	-	-	-
1005	7.45	189	8.35	212	0.635	285	18
1006	8.35	212	9.25	235	0.74	332	21
1007	9.25	235	10.15	258	0.845	379	24
1008	10.15	258	11.05	281	0.951	427	27
1008N	11.05	281	11.05	281	-	-	-
1009	11.05	281	11.95	304	1.058	475	30
1010	11.95	304	12.85	326	1.164	523	33

SERVICE CHARGES		ADD/EACH	
Fabrication	- 45°; 90°; Tee; Side Outlet Fabs	375.00	
	- Cross Fabs	745.00	
Cutting	Cutting for Each Cut Only	135.00	
PART NO.	10' (3048MM) SLOPED & NEUTRAL SECTIONS	EACH	PER FOOT
1001-1013	Channel - Galvanized Welded Frames & Strap Assemblies*	2,290.00	229.00
SS-1001-1013	Channel - Stainless Steel Welded Frames & Strap Assemblies*	4,280.00	428.00
	*Vinyl Add On	N/A	51.00
PART NO.	CAST GRATES - 20" (508MM)	EACH	PER FOOT
P6-BZ	Bronze Decorative Grate - Class A	932.00	559.00
P6-DC	Ductile Iron Solid Cover - Class C	119.00	71.00
P6-DGC	Ductile Iron Slotted Grate - Class C	117.00	70.00
P6-DGE	Ductile Iron Slotted - Class E	147.00	88.00
P6-DBG	Ductile Iron Slotted Grate - Class C	122.00	73.00
P6-GDE	Galvanized Ductile Grate - Class E	147.00	88.00
P6-BG	Galvanized Ductile Iron Cast Bar Grate - Class C	162.00	97.00
P6-HPD	Heel Proof Longitudinal Ductile ADA Grate - Class B	104.00	62.00
P6-LD	Longitudinal Ductile Grate - Class B	137.00	82.00
P6-HPP	Heel-Proof Polyethylene ADA Grate - Class A (Light Duty)	62.00	37.00
P6-GG	Fiberglass Grate - Class A	500.00	300.00
PART NO.	FABRICATED GRATES - 40" (1016MM)	EACH	PER FOOT
P6-FG	Fabricated Galvanized Steel Slotted Grate - Class A	157.00	47.00
P6-PG	Galvanized Perforated Steel ADA Grate - Class A	140.00	42.00
P6-RPG	Reinforced Galvanized Perforated Grate - Class B	270.00	81.00
P6-GG	Fiberglass Grate - Class A	530.00	159.00
PART NO.	STAINLESS GRATES - 40" (1016MM)	EACH	PER FOOT
P6-FS	Fabricated Stainless Steel Slotted Grate - Class A	430.00	129.00
P6-PS	Stainless Steel Perforated Grate - Class A	390.00	117.00
P6-RPSC	Reinforced Stainless Steel Perforated ADA Grate - Class C	907.00	272.00
PART NO.	STAINLESS GRATES - 20" (508MM)	EACH	PER FOOT
P6-SBG	Stainless Steel Bar Grate - Class E	780.00	468.00
P6-SSBG	Fabricated Stainless Steel Bar Grate	1,132.00	679.00
P6-SSBG-HP	Heel-Proof Stainless Steel Bar Grate	POA	POA

ZF806 System Profile



PERMA-TRENCH®

STAINLESS / SANI-FLO®

SLOT DRAIN / HI-CAP®

ALUMINUM TRENCH

FIBERGLASS

FRAME AND GRATE SYSTEMS

OIL SEPARATORS

## ZF806 6" WIDE TRENCH DRAIN SYSTEM

PART NO.		ADD/EACH	
		Z	ZV
P806-E1	Closed End Cap	50.00	105.00
P806-E2	2" (50.8mm) No Hub End Outlet	50.00	105.00
P806-E3	3" (76.2mm) No Hub End Outlet	50.00	105.00
P806-E4	4" (101.6mm) No Hub End Outlet	50.00	105.00
P806-U2	2" (50.8mm) No Hub Bottom Outlet	50.00	105.00
P806-U3	3" (76.2mm) No Hub Bottom Outlet	50.00	105.00
P806-U4	4" (101.6mm) No Hub Bottom Outlet	50.00	105.00
P806-DB	Dome Bottom Strainer	98.00	N/A
P806-JC	Joint Connector	114.00	N/A
P806-FEC	Frame End Cap (Galvanized)	32.00	N/A
PS806-FEC	Frame End Cap (Stainless)	88.00	N/A
P806-SW	8.1" (205.74mm) High Sidewall Extension Adapter (Per Pair)	739.00	1,475.00

PERMA-TRENCH®

STAINLESS / SANI-FLO®

SLOT DRAIN / HI-CAP®

ALUMINUM TRENCH

FIBERGLASS

FRAME AND GRATE SYSTEMS

OIL SEPARATORS

\*Regularly furnished unless otherwise specified.

‡Indicates grate will be shipped unpainted. For an additional charge, Zurn will paint the grates. Please contact your customer service representative for pricing.

For additional product information, please visit [www.zurn.ca](http://www.zurn.ca)

# ZF812 12" WIDE TRENCH DRAIN SYSTEM



Standard Length: 10'  
Standard Grate Included: DGC

## ENGINEERING SPECIFICATION

Channels shall be 10' long, 12" wide, and have a 9-1/4" wide throat. Modular channel sections shall be made of Fiber Reinforced Polyester (FRP) fiberglass, have interlocking ends, and radiused bottom. Channel shall be provided either flat (neutral) or with a 1.04% built-in slope. Channels shall be available with inverts ranging from 7.93" to 19.18". Choices of class A thru F grates shall be available with H-20 and/or FAA load ratings and/or ADA compliance with mechanical lockdown devices. A heavy-duty steel frame shall be provided to distribute weight between the grates and the FRP fiberglass channel. End caps and catch basins shall be available to complement the channels and grates. End outlets, bottom outlets, and side outlets shall be available in 4", 6", and 8" diameters. Trench drain shall be Flo-Thru model ZF812.

## NOTE

White acid resistant coating also available for frame and grate

Trench Number	Shallow Invert		Deep Invert		Flow Rate		
	In.	mm	In.	mm	cfs	gpm	lps
2002	7.93	201	9.18	233	2.088	937	59
2002N	9.18	233	9.18	233	-	-	-
2003	9.18	233	10.43	265	2.730	1225	77
2004	10.43	265	11.68	297	3.388	1521	96
2004N	11.68	297	11.68	297	-	-	-
2005	11.68	297	12.93	328	4.058	1821	115
2006	12.93	328	14.18	360	4.736	2125	134
2007	14.18	360	15.43	392	5.42	2432	153
2008	15.43	392	16.68	424	6.109	2742	173
2008N	16.68	424	16.68	424	-	-	-
2009	16.68	424	17.93	455	6.802	3053	193
2010	17.93	455	19.18	487	7.498	3365	212

SERVICE CHARGES		ADD/EACH	
Fabrication	- 45°; 90°; Tee; Side Outlet Fabs		375.00
	- Cross Fabs		745.00
Cutting	Cutting for Each Cut Only		135.00
PART NO.	10' (3048MM) SLOPED & NEUTRAL SECTIONS	EACH	PER FOOT
2001-2013	Channel - Galvanized Welded Frames & Strap Assemblies*	4,850.00	485.00
SS-2001-2013	Channel - Stainless Steel Welded Frames & Strap Assemblies*	7,180.00	718.00
	*Vinyl Add On	N/A	101.00
PART NO.	CAST GRATES - 24" (609.6MM)	EACH	PER FOOT
P12-DC	Ductile Iron Solid Cover - Class C	502.00	251.00
P12-DGC	Ductile Iron Slotted Grate - Class C	392.00	196.00
P12-DGE	Ductile Iron Slotted - Class E	404.00	202.00
P12-DBF	Ductile Iron Slotted Grate - Class F	594.00	297.00
P12-GDC	Galvanized Ductile Grate - Class C	498.00	249.00
P12-GDE	Galvanized Ductile Grate - Class E	578.00	289.00
P12-GDF	Galvanized Ductile Grate - Class F	722.00	361.00
P12-GHPD	Galvanized Heel Proof Longitudinal Ductile ADA Grate - Class E	566.00	283.00
P12-HPD	Heel Proof Longitudinal Ductile ADA Grate - Class B	430.00	215.00
PART NO.	FABRICATED GRATES - 24" (609.6MM)	EACH	PER FOOT
P12-BG	Galvanized Ductile Iron Cast Bar Grate - Class D	520.00	260.00
P12-FG	Fabricated Galvanized Steel Slotted Grate - Class A	382.00	191.00
P12-RFG	Reinforced Galvanized Steel Slotted Grate - Class B	994.00	497.00
P12-PG	Galvanized Perforated Steel ADA Grate - Class A	384.00	192.00
P12-RPG	Reinforced Galvanized Perforated Grate - Class B	956.00	478.00
P12-GG	Fiberglass Grate - Class A	600.00	300.00
PART NO.	STAINLESS GRATES - 24" (609.6MM)	EACH	PER FOOT
P12-FS	Fabricated Stainless Steel Slotted Grate	922.00	461.00
P12-RFSC	Reinforced Galvanized Stainless Steel Slotted Grate - Class C	1,708.00	854.00
P12-PS	Stainless Steel Perforated Grate	1,240.00	620.00
P12-RPSC	Reinforced Stainless Steel Perforated ADA Grate - Class C	1,832.00	916.00
P12-SBG-L	Stainless Steel Bar Grate - Class C	2,842.00	1,421.00
		ADD/EACH	
PART NO.		Z	ZV
P812-E1	Closed End Cap	98.00	317.00
P812-E4	4" (101.6mm) No Hub End Outlet	98.00	317.00
P812-E6	6" (154.2mm) No Hub End Outlet	98.00	317.00
P812-E8	8" (203.2mm) No Hub End Outlet	272.00	317.00
P812-U4	4" (101.6mm) No Hub Bottom Outlet	147.00	317.00
P812-U6	6" (154.2mm) No Hub Bottom Outlet	147.00	317.00
P812-U8	8" (203.2mm) No Hub Bottom Outlet	159.00	317.00
P812-JC	Joint Connector	361.00	N/A
P812-FEC	Frame End Cap (Galvanized)	175.00	N/A
PS812-FEC	Frame End Cap (Stainless)	107.00	N/A
P812-DB	Dome Bottom Strainer	203.00	N/A

For additional product information, please visit [www.zurn.ca](http://www.zurn.ca)

\*Regularly furnished unless otherwise specified.

†Indicates grate will be shipped unpainted. For an additional charge, Zurn will paint the grates. Please contact your customer service representative for pricing.

PERMA-TRENCH®  
STAINLESS / SANI-FLO®  
SLOT DRAIN / HI-CAP®  
ALUMINUM TRENCH  
FIBERGLASS  
FRAME AND GRATE SYSTEMS  
OIL SEPARATORS

# ZF817 CATCH BASIN



Standard Grate Included: DGC

## ENGINEERING SPECIFICATION

Catch Basins shall be 6" wide x 20" long x 20" deep, 12" wide x 24" long x 24" deep, or 24" wide x 24" long x 24" deep and shall be made of Fiber Reinforced Polyester (FRP) fiberglass. Choices of class A thru F grates shall be available with H-20, FAA, and/or ADA compliance. Outlets in 2", 3", 4", 6", and 8" diameters shall be available. Catch Basin shall be Flo-Thru model ZF817.

## NOTE

- White acid resistant coating also available for frame and grate  
Please contact customer care for mechanical lockdown availability and pricing.  
Outlets also available in 10" and 12" - POA.

PART NO.		EACH
Z817-6x20	Basin Only*	868.00
	*Vinyl Add On	452.00
Z817-12x24	Basin Only*	973.00
	*Vinyl Add On	740.00
Z817-24x24	Basin Only*	1,080.00
	*Vinyl Add On	740.00

PART NO.	817 - FRAMES ONLY	EACH
PF817-HDF-12x24	12" (304.8mm) x 24" (609.6mm) Black Frame	384.00
PF817-HDF-24x24	24" (609.6mm) x 24" (609.6mm) Black Frame	852.00
PF817-HDG-12x24	12" (304.8mm) x 24" (609.6mm) Galvanized Frame	510.00
PF817-HDG-24x24	24" (609.6mm) x 24" (609.6mm) Galvanized Frame	1,109.00
PF817-SF-12x24	12" (304.8mm) x 24" (609.6mm) Stainless Frame	3,274.00
PF817-SF-24x24	24" (609.6mm) x 24" (609.6mm) Stainless Frame	4,212.00

Note: 6" (152.4mm) x 20" (508mm) Frames in a trench run are at no charge. A stand alone basin frame is POA

## TO ADD GRATES TO OBTAIN A TOTAL BASIN PRICE

1	6" (152.4mm) x 20" (508mm) system list price, add the list price for (1) of the corresponding 806 grates to the basin price.
2	12" (304.8mm) x 24" (609.6mm) system list price, add the list price for (1) of the corresponding 812 grate to the basin price.
3	24" (609.6mm) x 24" (609.6mm) add (1) of the following 24" (609.6mm) x 24" (609.6mm) grates

PART NO.	GRATES 24" (609.6MM) X 24" (609.6MM)	EACH
P817-BG-24X24	Galvanized Ductile Iron Bar Grate - Class C	1,028.00
P817-DC-24X24	Ductile Iron Solid Cover - Class C	5,701.00
P817-DGC-24X24	Ductile Iron Slotted Grate - Class C	934.00
P817-DGF-24X24	Ductile Iron Slotted Grate - Class F	1,218.00
P817-FG-24X24	Galvanized Steel Slotted Grate - Class A	2,964.00
P817-FS-24X24	Fabricated Stainless Steel Slotted Grate - Class A	2,877.00
P817-GDF-24X24	Galvanized Ductile Grate - Class F	1,558.00
P817-GG-24X24	Fiberglass Grate - Class A	1,109.00
P817-SBG-24X24	Stainless Steel Bar Grate - Class E	4,009.00

PART NO.		EACH
P817-E4-U4	4" (101.6mm) Outlet	81.00
P817-E6-U6	6" (154.2mm) Outlet	82.00
P817-E8-U8	8" (203.2mm) Outlet	230.00
P817-IA6	6" (152.4mm) Inlet Adapter	122.00
P817-IA12	12" (304.8mm) Inlet Adapter	262.00
P817-Y6	6" (154.2mm) Sediment Bucket	286.00
P817-Y12	12" (304.8mm) Sediment Bucket	445.00
P817-Y24	24" (609.6mm) Sediment Bucket	564.00
PS817-Y6	Stainless Steel 6" (154.2mm) Sediment Bucket	519.00
PS817-Y12	Stainless Steel 12" (304.8mm) Sediment Bucket	867.00
PS817-Y24	Stainless Steel 24" (609.6mm) Sediment Bucket	1,464.00

\*Regularly furnished unless otherwise specified.

‡Indicates grate will be shipped unpainted. For an additional charge, Zurn will paint the grates. Please contact your customer service representative for pricing.

For additional product information, please visit [www.zurn.ca](http://www.zurn.ca)

## Z706 6" WIDE FRAME AND GRATE SYSTEM



Standard Length: 10'  
Standard Grate Included: DGC

### ENGINEERING SPECIFICATION

ZURN Z706 6" Wide Frame and Grate System. Ten-foot long Dura-Coated 1" x 1" x 1/4" welded structural components with combination anchor tabs/leveling devices and anchor studs at appropriate locations. Complete with Ductile Iron Grate - Class C with lockdown.

### NOTES

White acid resistant coating also available for frame and grate

PART NO.	10' (3048MM) WELDED FRAMES	EACH	PER FOOT
Z706	Frame Strap & Stud Assembly	620.00	62.00
Z706-GFA	Galvanized Frame Strap & Stud Assembly	930.00	93.00
ZS706-SFA	Stainless Steel Frame Strap & Stud Assembly	2,870.00	287.00

### GRATES

To obtain the grate price add any Z886/Z806 grates

## Z712 12" WIDE FRAME AND GRATE SYSTEM



Standard Length: 10'  
Standard Grate Included: DGC

### ENGINEERING SPECIFICATION

Zurn Z712 12" Wide Frame and Grate System. Ten-foot long Dura-Coated 1-3/4" x 1-3/4" x 1/4" angles with anchor studs at appropriate locations. Complete with Ductile Iron Grate - Class C with lockdown.

### NOTES

White acid resistant coating also available for frame and grate

PART NO.	10' (3048MM) WELDED FRAMES	EACH	PER FOOT
Z712	Frame Strap & Stud Assembly	1,210.00	121.00
Z712-GFA	Galvanized Frame Strap & Stud Assembly	1,820.00	182.00
ZS712-SFA	Stainless Steel Frame Strap & Stud Assembly	4,090.00	409.00

### GRATES

To obtain the grate price add any Z882/Z812 grates

## Z717 17" WIDE FRAME AND GRATE SYSTEM



Standard Length: 80" (6.67')  
Standard Grate Included: DGC†

### ENGINEERING SPECIFICATION

Zurn Z717 17" Wide Frame and Grate System. 2" x 2-1/2" x 1/4" angle, 80" long, carbon steel frame assembly. Anchor studs and combination anchor tabs/leveling devices at appropriate locations for embedding into surrounding concrete. Complete with Class C ductile iron slotted grates (-DGC).

### NOTES

White acid resistant coating also available for frame and grate

PART NO.	80" (2032MM) WELDED FRAMES	EACH	PER FOOT
Z717	Frame Strap & Stud Assembly	1,507.00	226.00
Z717-GFA	Galvanized Frame Strap & Stud Assembly	1,874.00	281.00
ZS717-SFA	Stainless Steel Frame Strap & Stud Assembly	3,200.00	480.00

### GRATES

To obtain the grate price add any Z874-12 grates

## Z723 23" WIDE FRAME AND GRATE SYSTEM



Standard Length: 80" (6.67')  
Standard Grate Included: DGC†

### ENGINEERING SPECIFICATION

Frame and Grate System shall be 80 [2032] long, 23 [584] wide reveal and have a 18 [457] clear opening. Shall mechanically lock into the concrete surround every 10 [254]. Shall be provided with the standard DGC grate, Zurn 23 [584] wide reveal Ductile Iron Slotted Grate, which locks down to the frame with 4 bolt anchors per grate. Ductile Iron conforms to ASTM specification A536-84, Grade 80- 55- 06. Ductile Iron grate is rated class C per the DIN EN1433 top load classifications. Supplied in 20[508] nominal lengths with 1.03 [26] wide slots, and 1.75[44] bearing depth. Grate has an open area of 112 sq. in. pr ft. [237078 sq. mm per meter]. The .25 [6] thick Carbon Steel Frame Assembly conforms to ASTM specification A36 with 10 - 4 [102] long concrete anchors per 80 [2032]. The frame is supplied with a powder coated finish. All welds must be performed by a certified welder per ASTM standard AWS D1.1. Frames shall be produced in the USA.

### NOTES

White acid resistant coating also available for frame and grate

PART NO.	80" (2032MM) WELDED FRAMES	EACH	PER FOOT
Z723	Frame Strap & Stud Assembly	1,514.00	227.00
Z723-GFA	Galvanized Frame Strap & Stud Assembly	1,907.00	286.00
ZS723-SFA	Stainless Steel Frame Strap & Stud Assembly	5,360.00	804.00

### GRATES

To obtain the grate price add any Z874-18 grates

## Z726 26" WIDE FRAME AND GRATE SYSTEM



Standard Length: 80" (6.67')  
Standard Grate Included: DGC†

### ENGINEERING SPECIFICATION

Zurn Z726 26" Wide Frame and Grate System. 2" x 2-1/2" x 1/4" angle, 80" long, carbon steel frame assembly. Anchor studs and combination anchor tabs/leveling devices at appropriate locations for embedding into surrounding concrete. Complete with Class C ductile iron slotted grates (-DGC).

### NOTES

White acid resistant coating also available for frame and grate

PART NO.	80" (2032MM) WELDED FRAMES	EACH	PER FOOT
Z726	Frame Strap & Stud Assembly	1,567.00	235.00
Z726-GFA	Galvanized Frame Strap & Stud Assembly	1,954.00	293.00
ZS726-SFA	Stainless Steel Frame Strap & Stud Assembly	5,640.00	846.00

### GRATES

To obtain the grate price add any Z874-21 grates

\*Regularly furnished unless otherwise specified.

†Indicates grate will be shipped unpainted. For an additional charge, Zurn will paint the grates. Please contact your customer service representative for pricing.

For additional product information, please visit [www.zurn.ca](http://www.zurn.ca)

# Z885 POLYETHYLENE OIL SEPARATOR



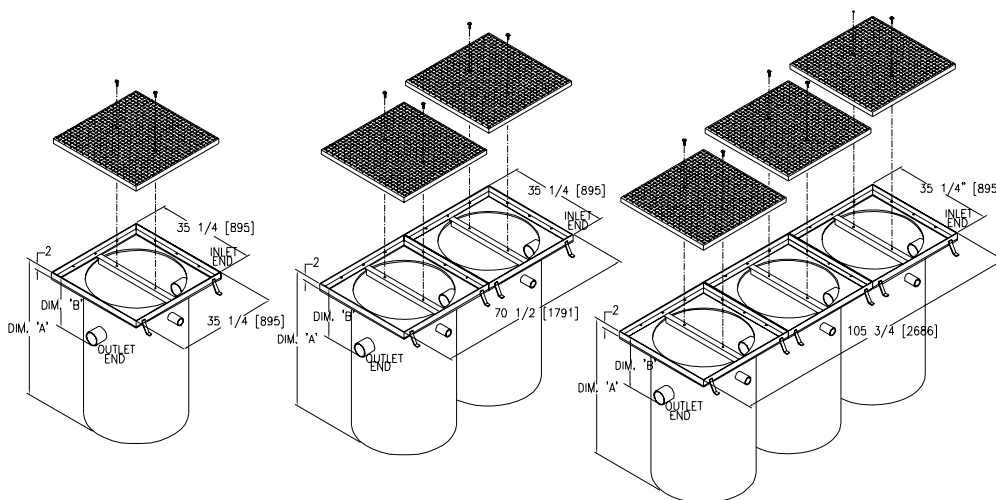
## ENGINEERING SPECIFICATION

Zurn Z885 Polyethylene Oil Separator. 1/4" thick polyethylene body complete with heavy-duty Dura-Coated steel frame and 1/4" thick steel diamond plate covers with medium-duty top loading classification. Four-inch diameter No-Hub inlet/outlet with 2" diameter No-Hub vent connections. Dimensions shown nominally for reference. Top of grate to center of outlet distance is 8" unless otherwise specified.

## NOTES

White acid resistant coating also available for frame and grate

PREFIX	DESCRIPTION	MODEL NUMBER	CAPACITY GALLONS	DEPTH	LIST PRICE	
Z*	Polyethylene Basin with Medium-Duty Frame and Reinforced Steel Cover	Single Basin				
		Z885-1-30	70	30	11,574.00	
		Z885-1-36	100	36	11,797.00	
		Z885-1-48	130	48	12,318.00	
		Z885-1-60	150	60	12,497.00	
		Double Basin				
		Z885-2-30	140	30	19,606.00	
		Z885-2-36	200	36	20,796.00	
		Z885-2-48	260	48	21,423.00	
		Z885-2-60	300	60	23,417.00	
		Triple Basin				
		Z885-3-30	210	30	28,332.00	
Z885-3-36	300	36	23,417.00			
Z885-3-48	390	48	25,525.00			
Z885-3-60	450	60	39,854.00			



A Depth	B = Invert Dimensions						
	8"	10"	12"	14"	16"	18"	20"
Gallons							
Single Basin Model							
30"	70	65	N/A	N/A	N/A	N/A	N/A
36"	100	93	84	78	72	N/A	N/A
48"	130	124	118	112	106	100	94
60"	150	143	138	132	128	122	116
Double Basin Model							
30"	140	130	N/A	N/A	N/A	N/A	N/A
36"	200	186	168	156	144	N/A	N/A
48"	261	248	236	224	212	200	187
60"	300	286	276	264	256	244	232
Triple Basin Model							
30"	210	195	N/A	N/A	N/A	N/A	N/A
36"	300	279	252	234	216	N/A	N/A
48"	391	373	354	336	318	299	281
60"	450	429	414	396	384	366	348

PERMA-TRENCH®

STAINLESS / SANI-FLO®

SLOT DRAIN / HI-CAP®

ALUMINUM TRENCH

FIBERGLASS

FRAME AND GRATE SYSTEMS

OIL SEPARATORS

## ALPHANUMERIC INDEX

GENERAL TERMS AND CONDITIONS	<b>32</b>	Z882 12" WIDE TRENCH DRAIN SYSTEM	<b>4</b>	Z894 24" WIDE TRENCH DRAIN SYSTEM	<b>16</b>
Z706 6" WIDE FRAME AND GRATE SYSTEM	<b>28</b>	Z883 6" WIDE SHALLOW TRENCH DRAIN SYSTEM	<b>10</b>	Z895 12" STAINLESS STEEL TRENCH DRAIN SYSTEM	<b>14</b>
Z712 12" WIDE FRAME AND GRATE SYSTEM	<b>28</b>	Z884 4-3/4" WIDE SHALLOW DRAIN SYSTEM	<b>9</b>	Z897 STAINLESS STEEL CATCH BASIN	<b>19</b>
Z717 17" WIDE FRAME AND GRATE SYSTEM	<b>28</b>	Z885 POLYETHYLENE OIL SEPARATOR	<b>30</b>	Z898 18" WIDE TRENCH DRAIN SYSTEM	<b>15</b>
Z723 23" WIDE FRAME AND GRATE SYSTEM	<b>29</b>	Z886 6" WIDE TRENCH DRAIN SYSTEM	<b>2</b>	Z899 ELEVATOR TRENCH DRAIN SYSTEM	<b>17</b>
Z726 26" WIDE FRAME AND GRATE SYSTEM	<b>29</b>	Z887 CATCH BASIN	<b>11</b>	ZA880-156 EXTRUDED ALUMINUM TRENCH DRAIN SYSTEM	<b>23</b>
Z874-12 TRENCH DRAIN SYSTEM	<b>5</b>	Z888-4 SLOTTED DRAINAGE SYSTEM	<b>21</b>	ZA880-300A EXTRUDED ALUMINUM TRENCH DRAIN SYSTEM (PRICING WITHOUT GRATE)	<b>23</b>
Z874-18 TRENCH DRAIN SYSTEM	<b>6</b>	Z888-6 SLOTTED DRAINAGE SYSTEM	<b>21</b>	ZA880-300B EXTRUDED ALUMINUM TRENCH DRAIN SYSTEM (PRICING WITHOUT GRATE)	<b>23</b>
Z874-21 TRENCH DRAIN SYSTEM	<b>7</b>	Z888-8 SLOTTED DRAINAGE SYSTEM	<b>21</b>	ZA880-340 EXTRUDED ALUMINUM TRENCH DRAIN SYSTEM (PRICING WITHOUT GRATE)	<b>23</b>
Z874-U-XX-HD HEAVY-DUTY UTILITY TRENCH WITH STEEL FRAME AND DUCTILE IRON SOLID COVER	<b>8</b>	Z888-12,-18 HIGH CAPACITY TRENCH DRAIN SYSTEM SLOTTED DRAINAGE SYSTEM	<b>22</b>	ZF806 6" WIDE TRENCH DRAIN SYSTEM	<b>24</b>
Z874-U-XX-LDRA LIGHT-DUTY UTILITY TRENCH WITH ALUMINUM FRAME, CLAMP, AND SOLID COVER	<b>8</b>	Z889-12,-18 HIGH CAPACITY CLEANOUT PORT	<b>22</b>	ZF812 12" WIDE TRENCH DRAIN SYSTEM	<b>26</b>
Z874-U-XX-LDRS LIGHT-DUTY UTILITY TRENCH WITH ALUMINUM FRAME AND CLAMP WITH SOLID STEEL COVER	<b>8</b>	Z890 6" STAINLESS STEEL TRENCH DRAIN SYSTEM	<b>13</b>	ZF817 CATCH BASIN	<b>27</b>
Z880 2-1/2" WIDE TRENCH DRAIN SYSTEM	<b>9</b>	Z891 STAINLESS STEEL SLOTTED DRAINAGE SYSTEM	<b>17</b>	ZS880 STAINLESS STEEL LINEAR SHOWER DRAIN	<b>12</b>
		Z893 STAINLESS STEEL FLOOR RECEPTOR WITH BAR GRATE	<b>18</b>		

## NOTES



## GENERAL TERMS AND CONDITIONS

### PRICE AND TERMS OF PAYMENT

Terms are net, payable 30 days from date of invoice. Zurn Credit must be identified of potential pricing errors within 30 days of invoice date. Shortage claims must be reported within 10 working days of receiving product to your local Zurn Rep or Zurn Customer Care. The Buyer shall pay all sales, consumers, or other applicable taxes. A 1-1/2% monthly (18% annual) service charge will be added to the outstanding balance of all past due invoices.

Minimum invoice \$250.00. Zurn Water, LLC ("Zurn") reserves the right to apply a minimum order charge in order to meet the \$250.00 minimum invoice requirement. All orders are subject to credit approval by the Zurn Credit Department prior to the acceptance of an order. Orders may be refused, delivery may be withheld, or shipment stopped in transit without any liability on Zurn's part at Zurn's sole discretion based upon Buyer's credit worthiness as determined by Zurn.

### FREIGHT

All sales are F.O.B. seller's location. Zurn will allow full freight allowance when any of the following conditions are met: 1) Plumbing Fixtures only orders totaling \$10,000 or more; 2) Zurn One Systems orders of \$7,500 or more; 3) Any combination of Linear Drainage and/or Stainless Drains orders of \$5,000 or more; 4) Any combination of Specification Drainage, Finish Plumbing, and/or Zurn Wilkins of \$5,000 or more; 5) Commercial Drainage only orders of \$3,500 or more; 6) PEX orders of \$3,000 or more. This full freight allowance applies when the shipment is within the continental United States and has a single destination of a Buyer's standard address or job location. Routing of shipment shall be determined at the sole discretion of Zurn. Shipping dates are estimates and time of delivery shall not be of the essence of this sale contract. Under no circumstances will the Seller have any responsibility on account of any delays in manufacture, transportation, or otherwise. Terms of Export Shipment on application.

**NOTE:** Shipments in excess of 90" long or 3,000 lbs may be subject to additional charges, and shall be defined as an oversized and/or overweight product and Zurn's standard FFA terms may not apply. Please contact our Customer Service Department for guidance on potential additional shipping charges. This new policy supersedes any existing agreements.

These charges and restrictions apply in addition to Zurn standard terms and conditions for sale unless otherwise agreed upon by the parties.

### LIMITED WARRANTY

Zurn goods sold hereunder are warranted to be free from defects in material and factory workmanship for the period of time from the date of purchase: AquaVantage® Flush Valves, AquaFlush® Flush Valves, Commercial Fixtures, Faucets, Showers, and Tubular Brass: three years; Chemical Drainage, Linear Drainage, Commercial Drainage, Specification Drainage, Zurn Wilkins, and Flush Valve, Faucets, and Tubular Brass decorative finishes: one year; PHIX® Cartridge: ten years; FOG-ceptor®: thirty years. Where permitted by law, **THE IMPLIED WARRANTY OF MERCHANTABILITY IS LIMITED TO THE ABOVE IDENTIFIED PERIOD OF TIME AND SHALL BE LIMITED SOLELY TO THE REPLACEMENT OF THE DEFECTIVE GOODS.** A damaged/broken test cock or ball valve is not considered defective. Please contact Zurn Customer Care for assistance.

Zurn will replace goods at no cost that prove defective provided Zurn is notified in writing of such defect and the goods are returned prepaid at the specified Zurn location with evidence that they have been properly maintained and used in accordance with instructions. **ZURN SHALL NOT BE RESPONSIBLE FOR ANY LABOR CHARGES OR ANY LOSS, INJURY, OR DAMAGES WHATSOEVER, INCLUDING, BUT NOT LIMITED TO, INCIDENTAL OR CONSEQUENTIAL DAMAGES.** The sole and exclusive remedy shall be limited to the replacement of the defective goods. Before installation and use, the purchaser shall determine the suitability of the product for his intended use and the purchaser assumes all risk and liability whatever in the connection therewith. All weights stated in Zurn catalogs and lists are approximate and are not guaranteed.

### RETURNED GOODS

Standard cataloged material may be returned only with the written permission of Zurn. Returned goods are subject to a 25% restocking charge of total saleable material returned, plus the cost of reconditioning, if necessary, to make material sellable. Transportation charges are the responsibility of the Buyer. Credit allowance will be in the form of merchandise credit only – not cash credit. The value of the return must total at least \$100.00 to qualify for credit allowance. No credit will be allowed for parts unless originally ordered and invoiced as parts. No credit will be allowed for discontinued or made-to-order items. Items that have been specially made are not subject to return or cancellation except by special negotiation. Material must be returned within one year of invoice date for credit to be issued for Commercial Fixtures, Flush Valve Products, Specification Drainage, Tubular Brass, Zurn Wilkins, Chemical Drainage, Linear Drainage, and Commercial Drainage. No credit is allowed for Linear Drainage products that have been cut and Specification Drainage product with auxiliary tapings. Flush Valve material over one year old will be subject to a 50% handling charge. Flush Valve material over five years old will not be accepted. Commercial Drainage and Specification Drainage galvanized material will be credited at value of Dura-Coated cast iron, and chrome-plated at value of bronze. Zurn Wilkins damaged/broken test cocks or ball valves are not considered defective.

### ILLUSTRATIONS OF TYPICAL INSTALLATIONS

The typical installations for various products found in each product section are intended to illustrate the products and potential options for the use of these products. Under no circumstances are they to be construed as recommended installation procedures. Consult local codes and project specifications for proper installation instructions.

### SHORTAGE/DAMAGE CLAIMS

Notification of material shortages or incorrect filling of orders must be made to Zurn within 10 days of receipt. No claims over three months old will be honored. Buyer agrees to make all complaints for damage in transit or "short count" directly to the carrier; before the contents are unloaded have the carrier agent's acknowledgment of such damage noted on the bill of lading and to present to the carrier its agent's acknowledgment of such damaged material with formal claim covering said damage.

### GENERAL

Zurn reserves the right to make changes in design or equipment of any item or product without incurring any obligation on previously sold items, and to discontinue items at any time, without notice. Possession of this Catalog or other sales literature is not to be construed as an offer to sell. All orders are subject to acceptance by Zurn. Catalog printed in U.S.A.

Zurn flush valves are designed to comply with Army Corp of Engineers and Naval guide specifications, Military Specification MIL.V.29193 and Federal Specification WWP541.

Zurn flush valves comply with the following standards: ASME A112.18.1/CSA B125.1, A112.19.5, A112.19.2, A112.19.6, ASSE 1037 and 101 are listed by the following agencies: Canadian Standards, IAPMO/UPC/CUPC, and CSA 125.3. Zurn flush valves are manufactured from dezincification resistant alloys. For additional compliances, contact Zurn Water, LLC, Finish Plumbing Operation, or 1-800-997-3876.

Zurn is not responsible for typographical errors. The contents of this guide are subject to revision without notice.

© 2024 Zurn Water, LLC Items in this guide may be covered by U.S. and foreign Patents and Patents Pending. Registered Trademarks.

