

# MODEL 950XL3



## Double Check – Backflow Preventers 3/4" to 2"

Repair Kit Components		3/4"		1"		1-1/4 - 1-1/2"		2"	
Item #	Item Description	RK34-950XL3	RK34-950XLR	RK1-950XL3	RK1-950XL3R	RK114-950XL3	RK114-950XL3R	RK2-950XL3	RK2-950XL3R
1	Check Assembly	●		●		●		●	
2	O-Ring, Cover	●	●	●	●	●	●	●	●
3	#1 Seat O-ring		●		●		●		●
4	#2 Seat O-ring		●		●		●		●
5	Check Seal		● (x2)		● (x2)		● (x2)		● (x2)

Whole Goods (Available for individual sale)						
Item #	Item Description	3/4"	1"	1-1/4"	1-1/2"	2"
6	Ball Valve, Tapped	34-850TXL	1-850TXL	114-850TXL	112-850TXL	2-850TXL
6	Union Ball Valve, Tapped	34-850TUXL	1-850TUXL	114-850TUXL	112-850TUXL	2-850TUXL
7	Ball Valve	34-850XL	1-850XL	114-850XL	112-850XL	2-850XL
7	Union Ball Valve	34-850UXL	1-850UXL	114-850UXL	112-850UXL	2-850UXL
8	Test Cock	18-860B	18-860B	14-860	14-860	14-860

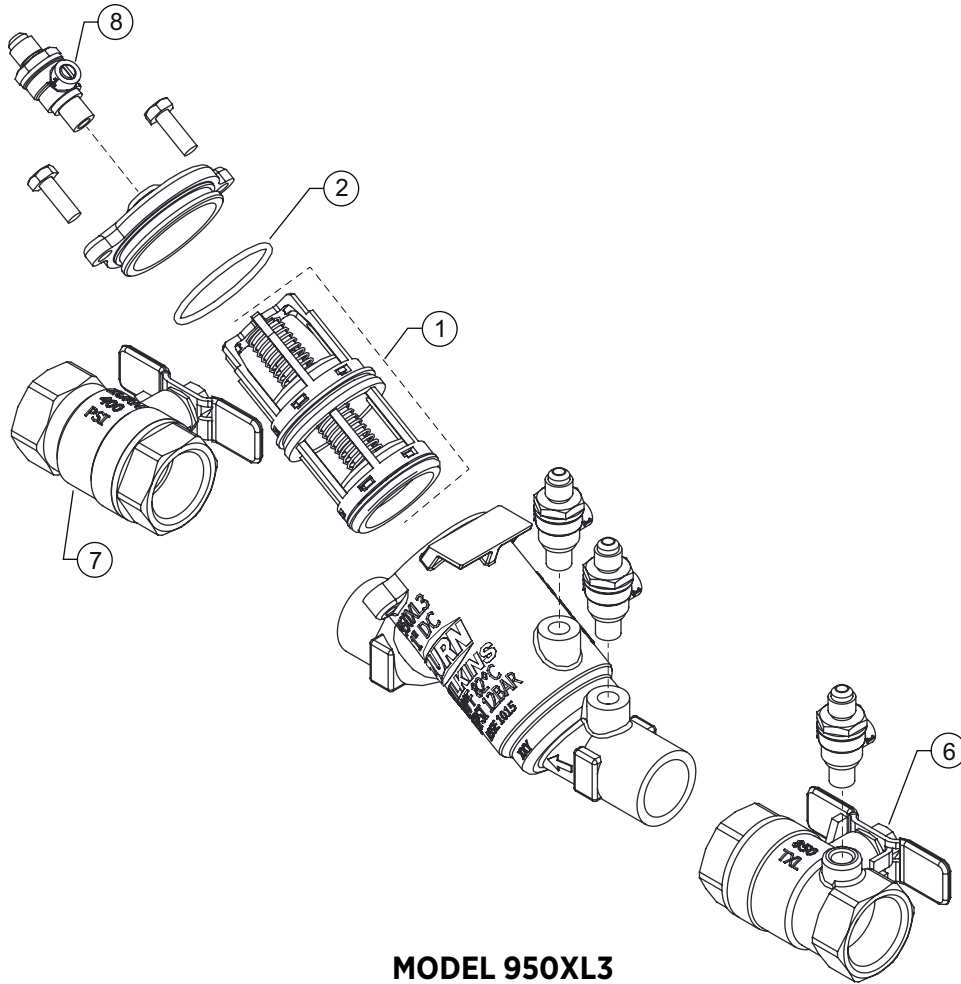
Item No.	Repair Kit Description
3/4" and 1"	
RK34-950XL3	Standard Repair Kit, 3/4" 950XL3, Complete
RK34-950XLR	Rubber Repair Kit, 3/4" 950XL3, Seal Rings and O-Rings
RK1-950XL3	Standard Repair Kit, 1" 950XL3, Complete
RK1-950XL3R	Rubber Repair Kit, 1" 950XL3, Seal Rings and O-Rings

Item No.	Repair Kit Description
1-1/4" - 2"	
RK114-950XL3	Standard Repair Kit, 1-1/4" - 1-1/2" 950XL3, Complete
RK114-950XL3R	Rubber Repair Kit, 1-1/4" - 1-1/2" 950XL3, Seal Rings and O-rings
RK2-950XL3	Repair Kit, 2" 950XL3, Complete
RK2-950XL3R	Rubber Repair Kit, 2" 950XL3, Seal Rings and O-rings

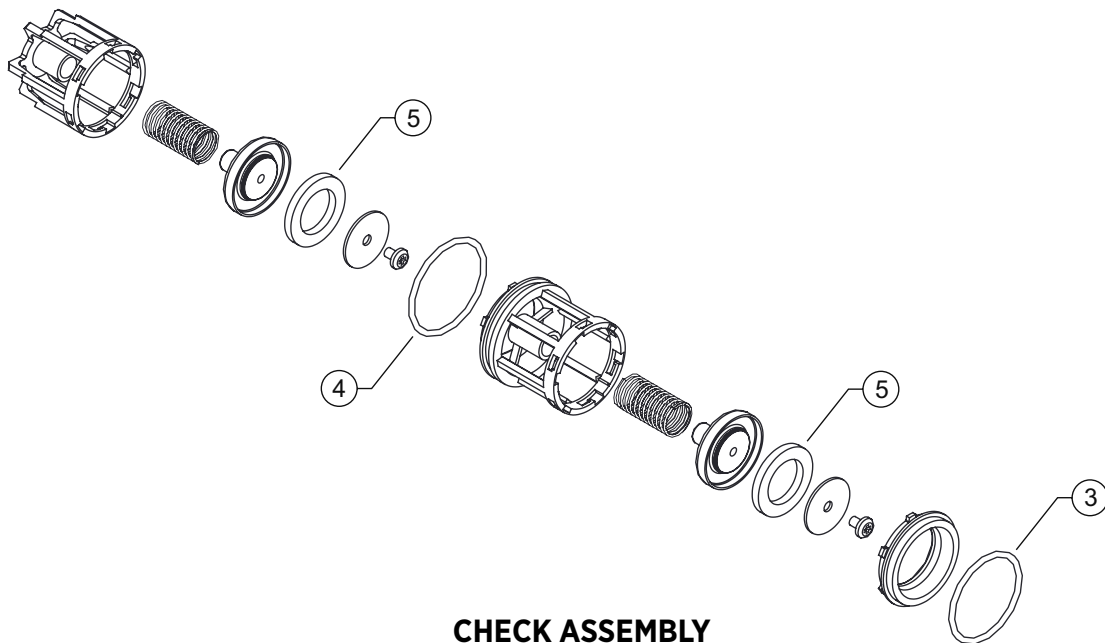
# MODEL 950XL3

Double Check – Backflow Preventers 3/4" to 2"

Parts Drawing



**MODEL 950XL3**



**CHECK ASSEMBLY**