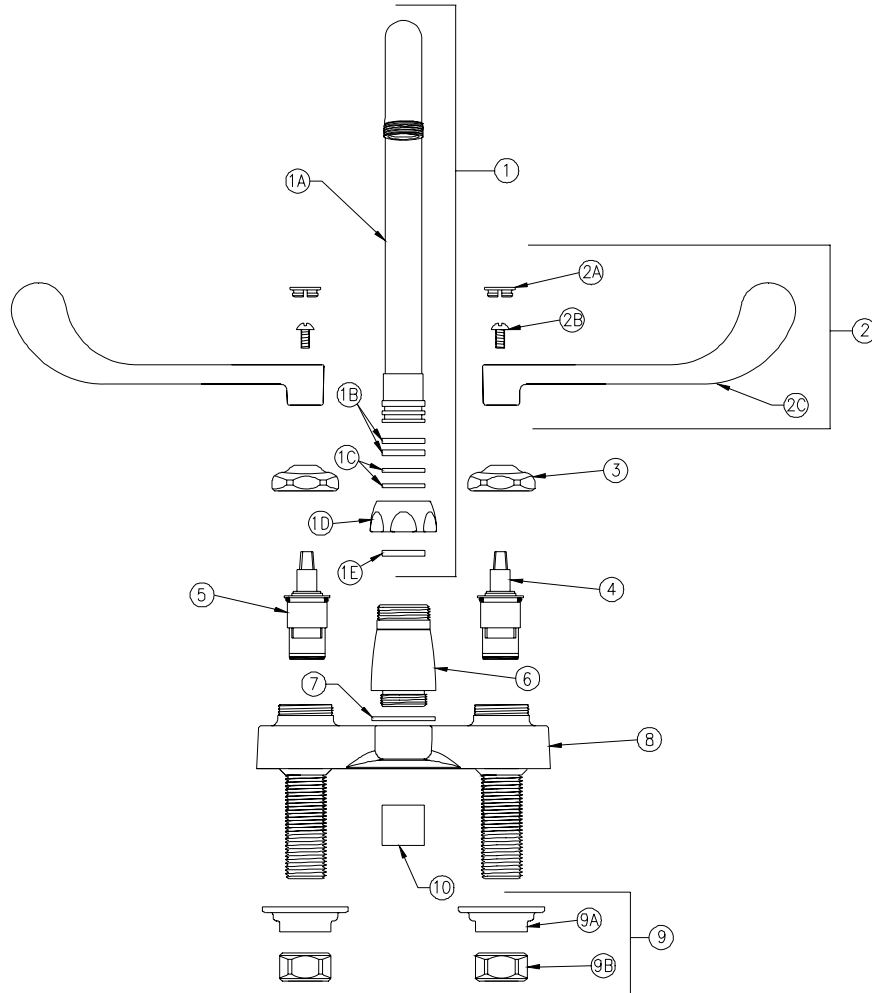


4" CENTERSET GOOSENECK



Z812A6-XL Parts List



| Item | Part Number | Description | Qty. |
|------|-------------|---|------|
| 1 | G67851 | 3-1/2" Centerline Gooseneck 'A' Spout Assembly | 1 |
| 1A | 92866001 | 3-1/2" Centerline Gooseneck Spout | 1 |
| 1B | 58155018 | O-Rings | 2 |
| 1C | 59666001 | Plastic Split Washers (Swing) | 2 |
| 1D | 59435001 | Spout Nut | 1 |
| 1E | 59436001 | Spacer Washer (Rigid) | 1 |
| 2 | G60508 | 6" [152mm] Vandal-Resistant Metal Wrist Blade Handles | 1 |
| 2A | G60500 | Hot/Cold Color-Coded Indexes | 1 |
| | 59454001 | Hot Index | 1 |
| | 59454002 | Cold Index | 1 |
| 2B | 62464001 | 10-32 Screw | 2 |
| 2C | 59453002 | Wrist Blade Handle | 2 |
| 3 | 59440001 | Handle Nut | 2 |
| 4 | 59517005 | Short Cold Cartridge | 1 |
| 5 | 59517006 | Short Hot Cartridge | 1 |
| 6 | 60467005 | Base | 1 |
| 7 | 58155019 | O-Ring | 1 |
| 8 | 60454004 | 4" Centerset Gooseneck Body | 1 |
| 9 | G60502 | Mounting Hardware | 1 |
| 9A | 59530002 | Mounting Nut | 2 |
| 9B | 59532001 | 1/2" NPSM Riser Nut | 2 |
| 10 | G63504 | 3/4"-27 Female Aerator - 2.2 GPM [8.3 L] | 1 |

ZURN INDUSTRIES, LLC ♦ COMMERCIAL BRASS OPERATION ♦ 2640 SOUTH WORK STREET ♦ FALCONER NY 14733

Phone: 1-800-997-3876 ♦ Fax: 1-919-775-3541 ♦ www.zurn.com

In Canada: ZURN INDUSTRIES LIMITED ♦ 3544 Nashua Drive ♦ Mississauga, Ontario L4V1L2 ♦ Phone: 905/405-8272 Fax: 905/405-1292