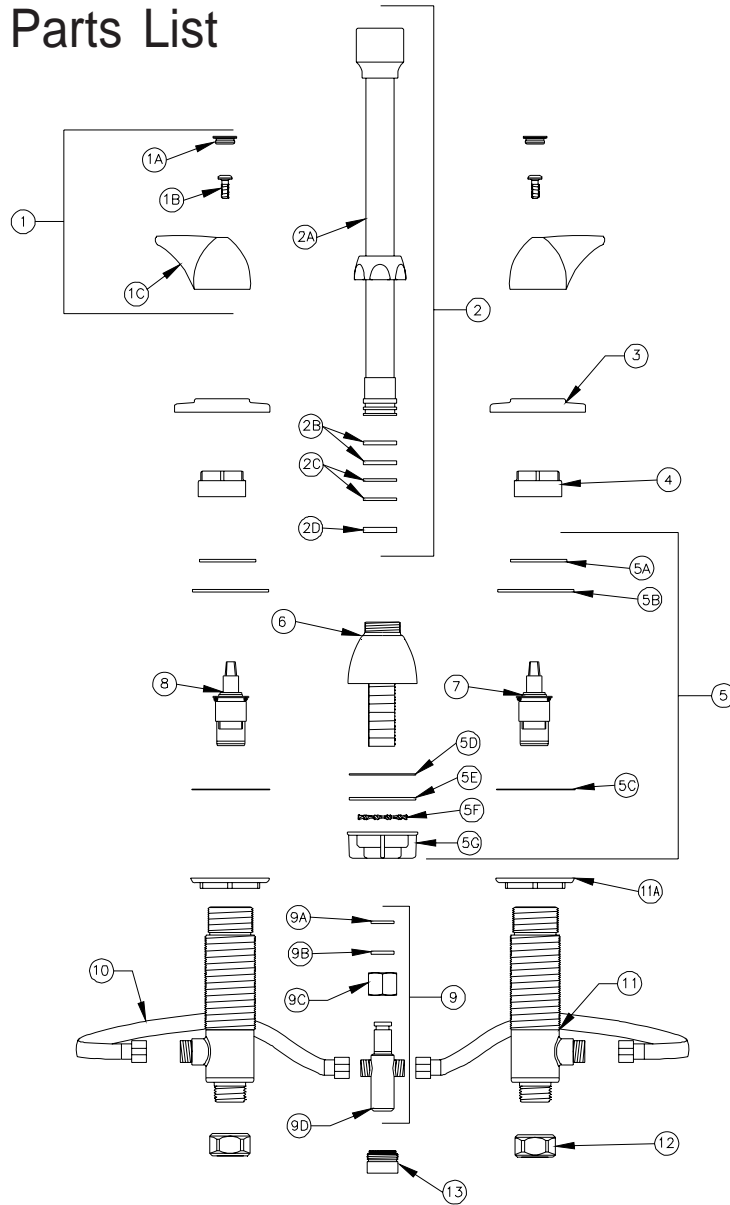


# Z831S3 Parts List



Item	Part Number	Description	Qty.	Item	Part Number	Description	Qty.
1	G60515	2" [51mm] Dome Lever Handles	1	5C	60444001	Washer	2
1A	G60500	Hot/Cold Color-Coded Indexes	1	5D	60148002	Gasket	2
	59454001	Hot Index	1	5E	65340001	Washer	1
	59454002	Cold Index	1	5F	61613019	Toothed Lockwasher	1
1B	62464001	10-32 Screw	2	5G	59530003	Flanged Mounting Nut	1
1C	60514001	Dome Lever Handle	2	6	61276003	Base	1
2	G61310	8" Bent Riser 'S' Spout Ass'y.	1	7	59517001	Short Cold Cartridge	1
2A	60546001	8" Bent Riser Sub-Assembly	1	8	59517002	Short Hot Cartridge	1
2B	58155018	O-Ring	2	9	G65335	Tee Assembly	1
2C	59666001	Plastic Split Washer (Swing)	2	9A	60455001	Gasket	1
2D	59436001	Spacer Washer (Rigid)	1	9B	63982001	Retaining Ring	1
3	61406001	Escutcheon	2	9C	60145002	Shank Nut	1
4	60077002	Cartridge Cap	2	9D	61283001	Tee	1
5	G61859	Mounting Hardware	1	10	60249332	S. S. Flexible Hose	2
5A	60383002	Retaining Ring	2	11	61273001	Valve Body Assembly	2
5B	60382001	Washer	2	11A	60445001	Nut	2
				12	59532001	1/2" NPSM Riser Nut	2
				13	G63505	13/16"-27 Male Aerator - 2.2 GPM	1

ZURN INDUSTRIES, LLC ♦ COMMERCIAL BRASS OPERATION ♦ 2640 SOUTH WORK STREET ♦ FALCONER NY 14733

Phone: 1-800-997-3876 ♦ Fax: 1-919-775-3541 ♦ www.zurn.com

In Canada: ZURN INDUSTRIES LIMITED ♦ 3544 Nashua Drive ♦ Mississauga, Ontario L4V1L2 ♦ Phone: 905/405-8272 Fax: 905/405-1292