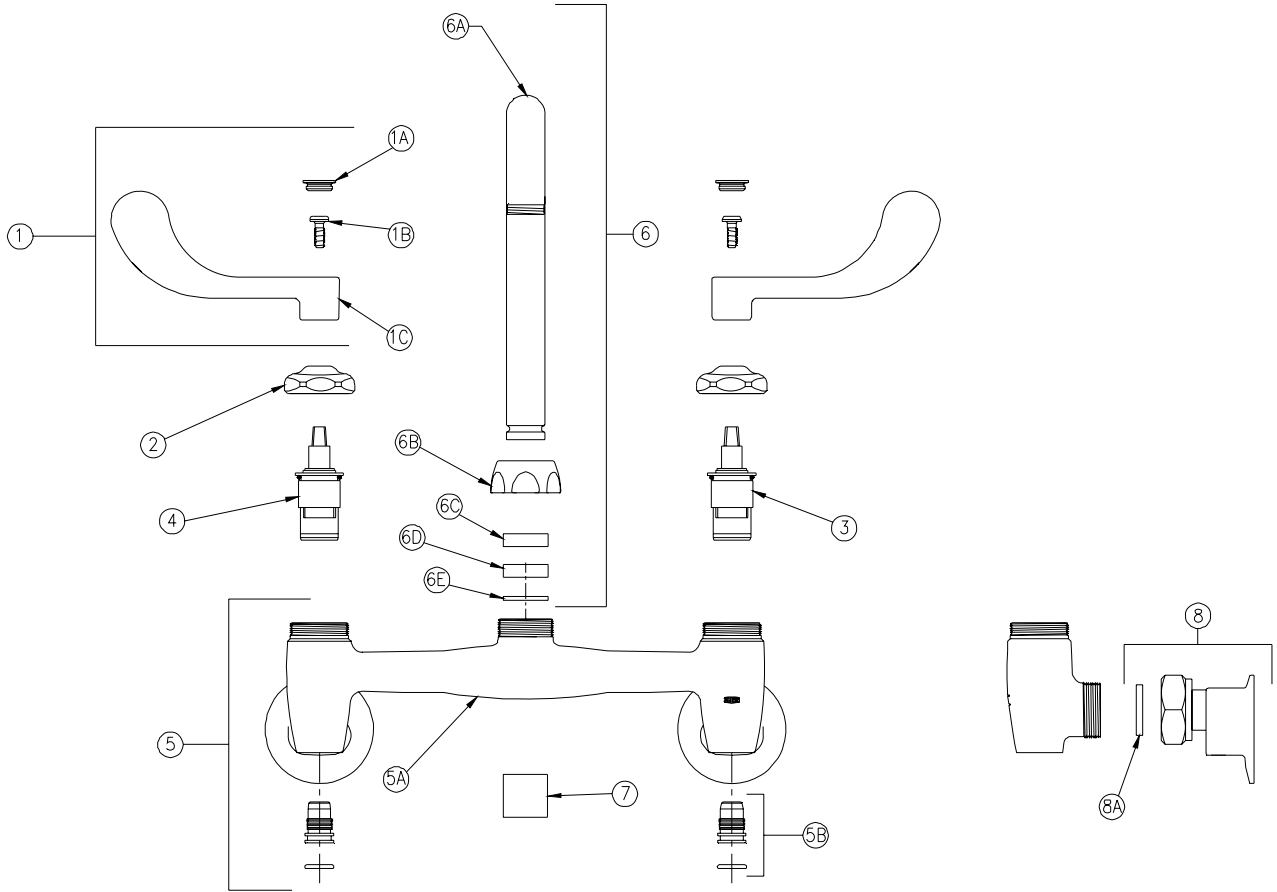


# SINK FAUCET

## Z843J4-XL Parts List



Item	Part Number	Description	Qty.
1	G60504	4" [102mm] Vandal-Resistant Metal Wrist Blade Handles	1
1A	G60500	Hot/Cold Color-Coded Indexes	1
	59454001	Hot Index	1
	59454002	Cold Index	1
1B	62464001	10-32 Screw	2
1C	59453001	Wrist Blade Handle	2
2	59440001	Handle Nut	2
3	59517005	Short Cold Cartridge XL	1
4	59517006	Short Hot Cartridge XL	1
5	66168005	Sink Body Assembly XL	1
5A	66156005	Sink Body XL	1
5B	G67978	Stop Plug Assembly XL	2
	92913002	Stop Plug XL	1
	58155013	O-Ring	1
6	G67894	9" Tubular 'J' Spout Assembly XL	1
6A	92956001	9" Tubular Swing Spout XL	1
6B	59435001	Spout Nut	1
6C	59441001	Bearing Washer	1
6D	59459001	Spout Seal	1
6E	59460001	Retaining Ring	1
7	G63504	3/4"-27 Female Aerator - 2.2 GPM	1
8	G67882	Short Supply Arm Assembly XL	2
8A	59748001	Gasket	2

ZURN INDUSTRIES, LLC ♦ COMMERCIAL BRASS OPERATION ♦ 2640 SOUTH WORK STREET ♦ FALCONER NY 14733

Phone: 1-800-997-3876 ♦ Fax: 1-919-775-3541 ♦ www.zurn.com

In Canada: ZURN INDUSTRIES LIMITED ♦ 3544 Nashua Drive ♦ Mississauga, Ontario L4V1L2 ♦ Phone: 905/405-8272 Fax: 905/405-1292