

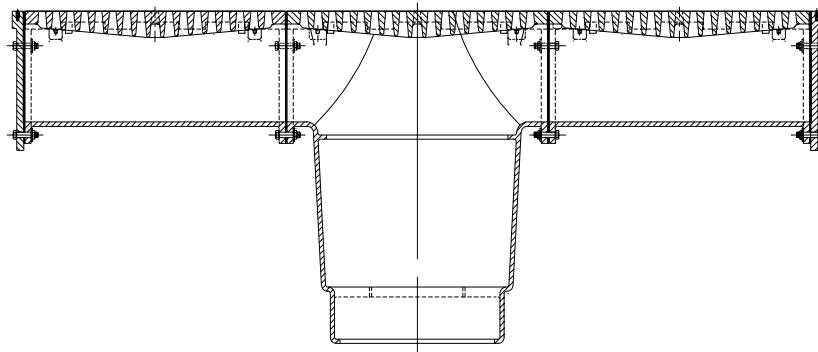
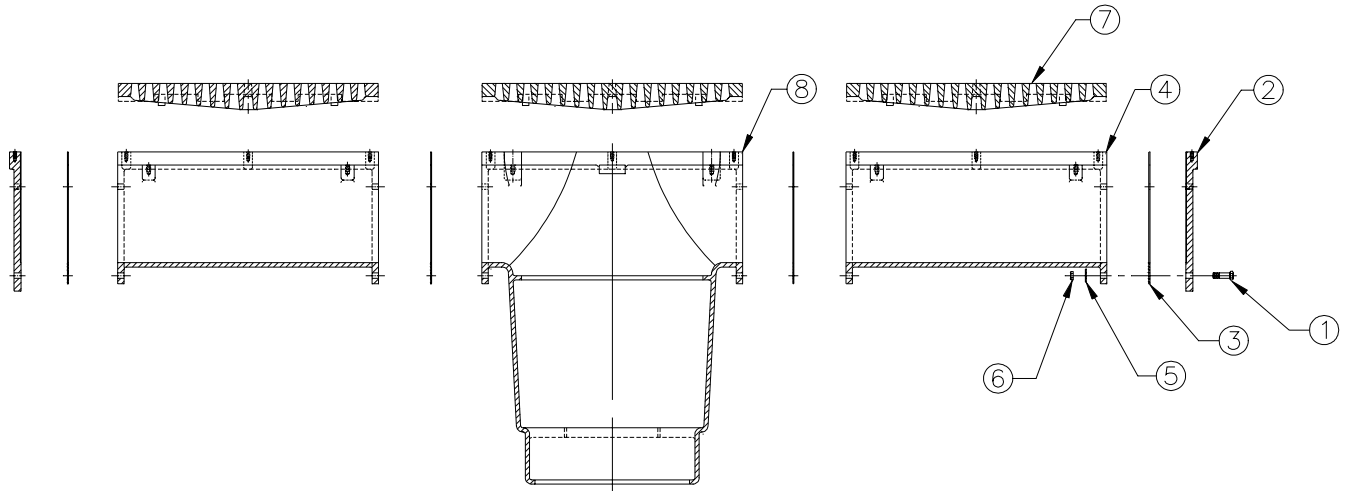


# Z665

## 12" WIDE MODULAR TRENCH DRAIN

### EXPLODED PARTS LIST (1947 TO 1971)

Dimensional Data (inches and [ mm ]) are Subject to Manufacturing Tolerances and Change Without Notice



### PARTS LIST

| Item | Name      | Part Number | Quan. |
|------|-----------|-------------|-------|
| 1    | Bolt      | 26050       | 12    |
| 2    | End Cap   | 21365       | 2     |
| 3    | Gasket    | 35513       | 4     |
| 4    | Extension | 21295       | 2     |
| 5    | Washer    | 14858       | 12    |
| 6    | Nut       | 14850       | 12    |
| 7    | Grate     | 50449       | 3     |
| 8    | Body      | 21273       | 1     |

Form # FD31

Date: 9/25/01

C.N. No. 88090

Rev.