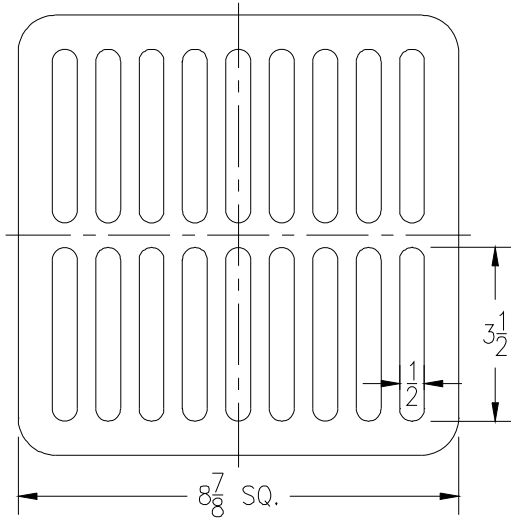


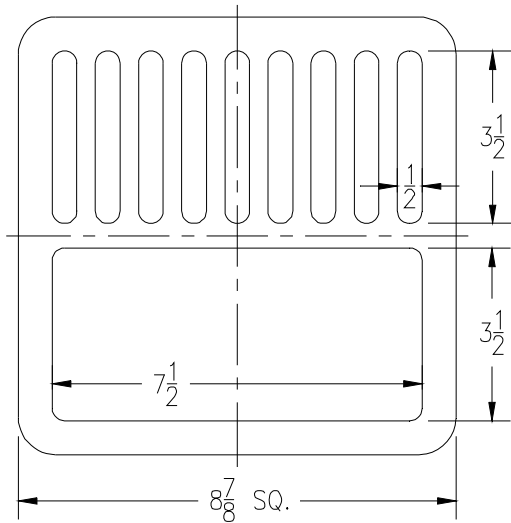


# Z1900, 1901, 1902 & ZN1900, ZN1901, ZN1902

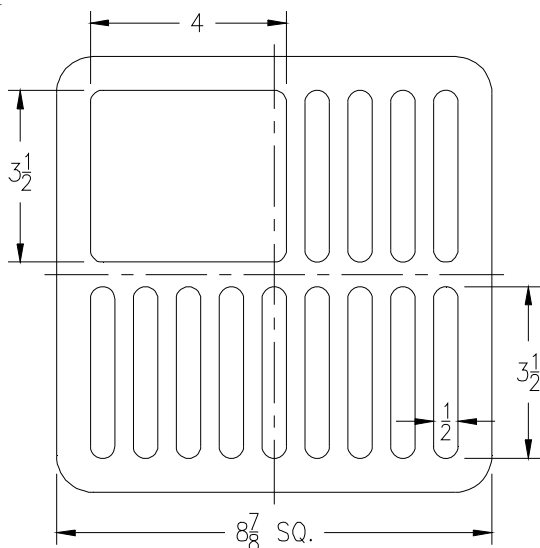
## Replacement Grates & Covers



Z1900, Z1901, Z1902 Full Grate				
Item No.	Please Check ✓	Grate Rim Thickness	Grate Open Area Sq. In.	Part Number
1		1/2	31	29601-001



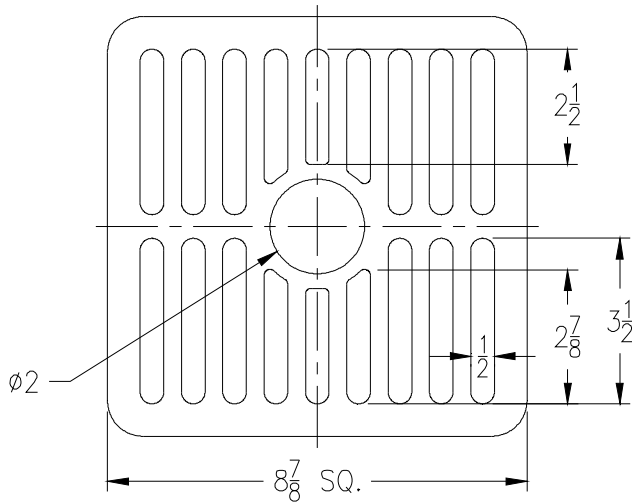
Z1900, Z1901, Z1902 Suffix -2 Half Grate				
Item No.	Please Check ✓	Grate Rim Thickness	Grate Open Area Sq. In.	Part Number
2		1/2	42	29601-003



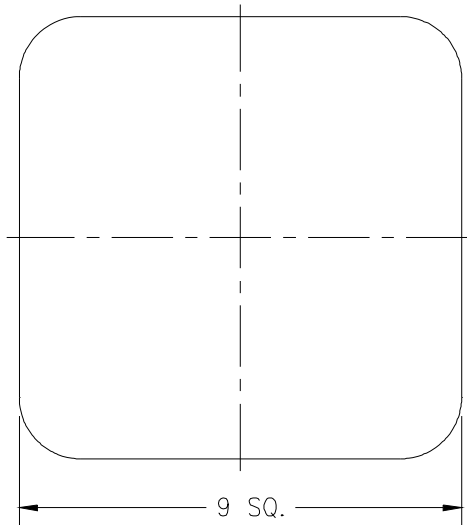
Z1900, Z1901, Z1902 Suffix -3 Three Quarter Grate				
Item No.	Please Check ✓	Grate Rim Thickness	Grate Open Area Sq. In.	Part Number
3		1/2	36	29601-002



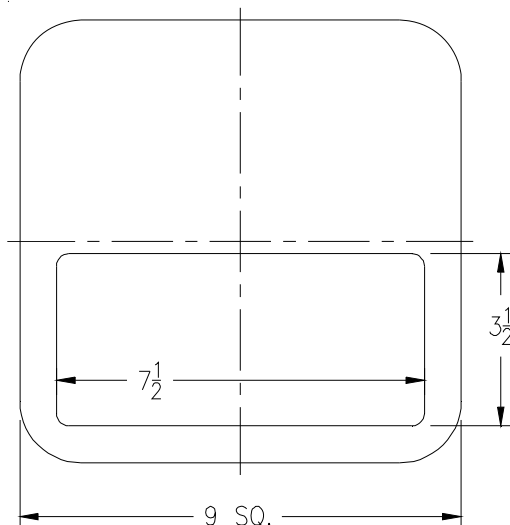
**Z1900, 1901, 1902 & ZN1900, ZN1901, ZN1902**  
Replacement Grates & Covers



<b>Z1900, Z1901, Z1902</b>				
<b>Suffix -4</b>				
Full Grate w/ Round Center Opening				
Item No.	Please Check	Grate Rim Thickness	Grate Open Area Sq. In.	Part Number
4	✓	1/2	33	29601-005



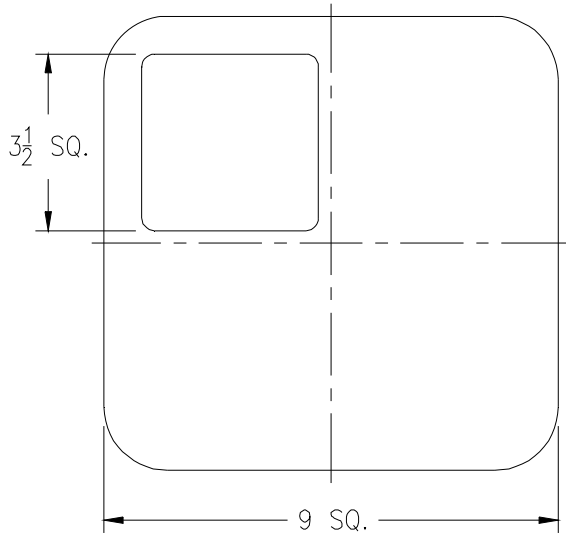
<b>Z1900, Z1901, Z1902</b>			
<b>Suffix -15</b>			
Solid Loose Set Cover			
Item No.	Please Check	Cover Rim Thickness	Part Number
5	✓	3/16	54252-001



<b>Z1900, Z1901, Z1902</b>				
<b>Suffix -16</b>				
Half Solid Loose Set Cover				
Item No.	Please Check	Cover Rim Thickness	Cover Open Area Sq. In.	Part Number
6	✓	3/16	26	54252-003

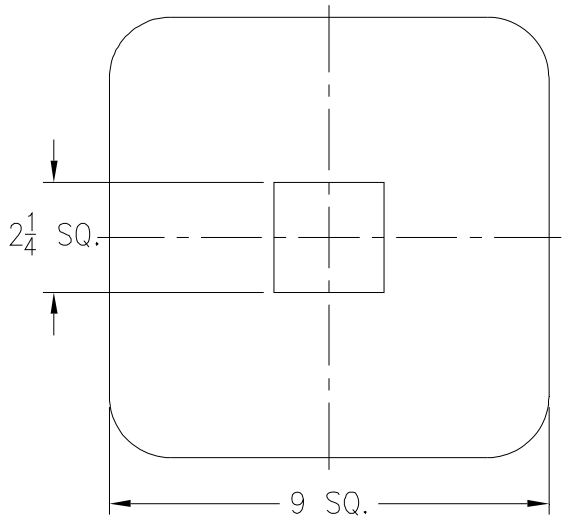


# Z1900, 1901, 1902 & ZN1900, ZN1901, ZN1902 Replacement Grates & Covers



**Z1900, Z1901, Z1902**  
**Suffix -17**  
Three Quarter Solid Loose Set Cover

Item No.	Please Check ✓	Cover Rim Thickness	Cover Open Area Sq. In.	Part Number
7		3/16	12	54252-002

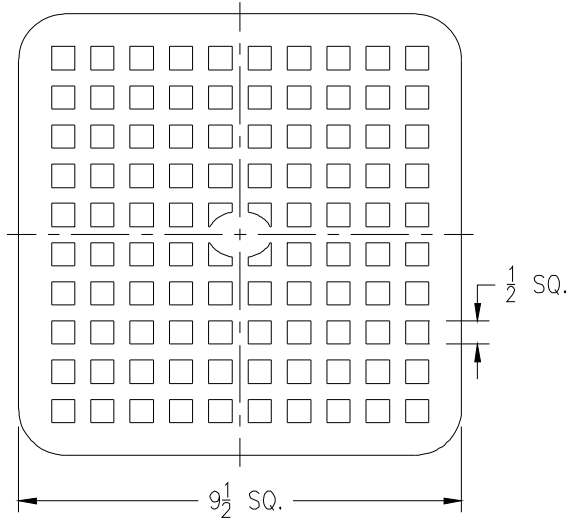


**Z1900, Z1901, Z1902**  
**Suffix -18**  
Loose Set Cover w/ Square Center Opening

Item No.	Please Check ✓	Cover Rim Thickness	Cover Open Area Sq. In.	Part Number
8		3/16	5	54252-004

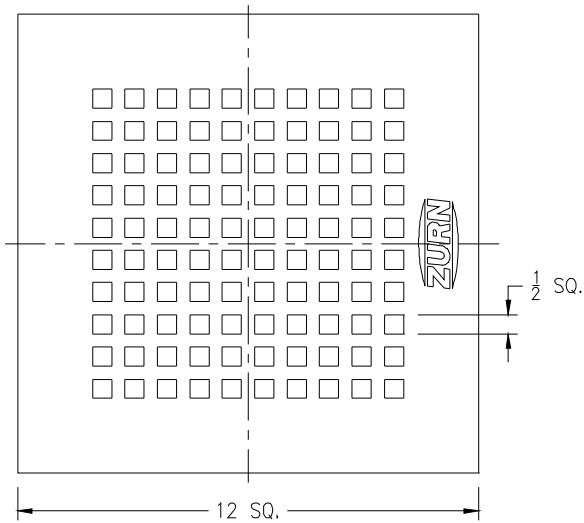


# Z1900, 1901, 1902 & ZN1900, ZN1901, ZN1902 Replacement Grates & Covers



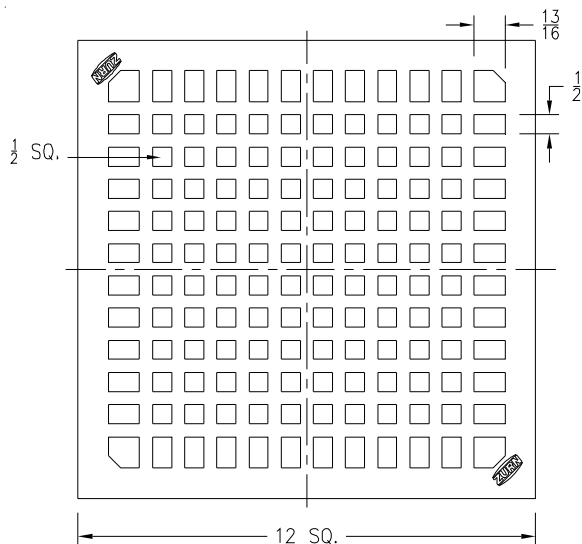
**ZN1900, ZN1901, ZN1902**  
**Full Grate (May 1970 - March 2003)**

Item No.	Please Check ✓	Grate Rim Thickness	Grate Open Area Sq. In.	Part Number
9		7/32	27	51228-001



**ZN1900, ZN1901, ZN1902**  
**Full Grate (March 2003 - August 2008)**

Item No.	Please Check ✓	Grate Rim Thickness	Grate Open Area Sq. In.	Part Number
10		3/8	25	67107-001

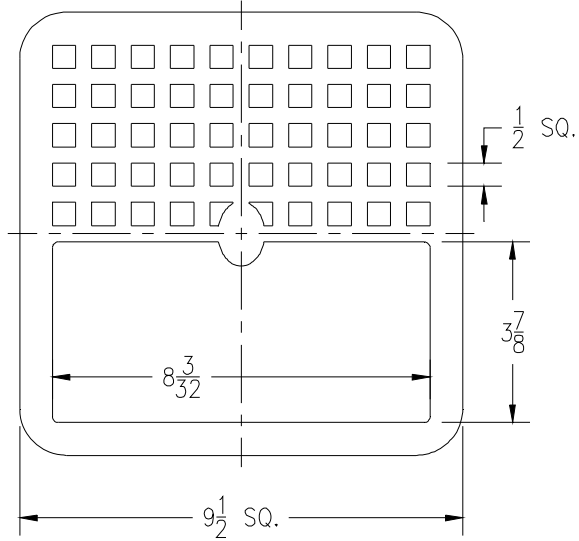


**ZN1900, ZN1901, ZN1902**  
**Full Grate (August 2008 - Present)**

Item No.	Please Check ✓	Grate Rim Thickness	Grate Open Area Sq. In.	Part Number
11		3/8	44	67107-001

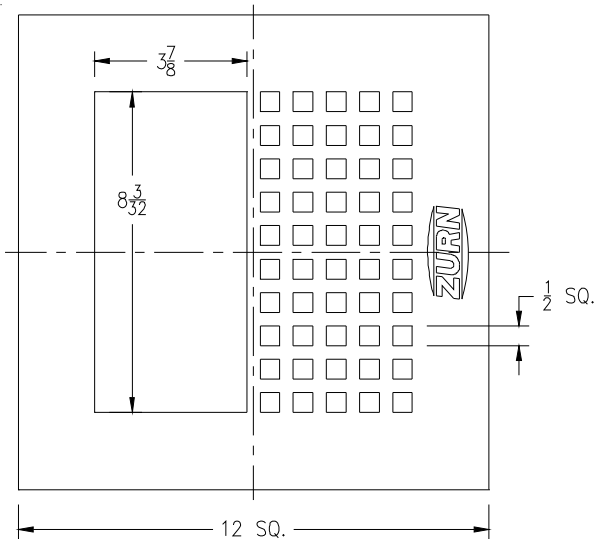


# Z1900, 1901, 1902 & ZN1900, ZN1901, ZN1902 Replacement Grates & Covers



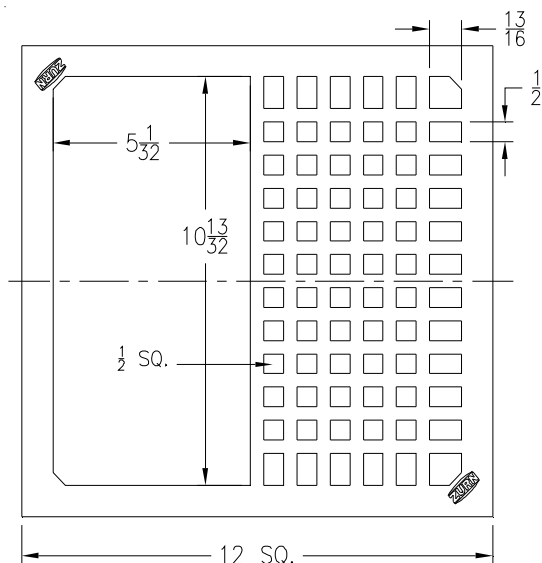
**ZN1900, ZN1901, ZN1902**  
**Suffix -2 (May 1970 - March 2003)**  
 Half Grate

Item No.	Please Check ✓	Grate Rim Thickness	Grate Open Area Sq. In.	Part Number
12		7/32	42	51228-005



**ZN1900, ZN1901, ZN1902**  
**Suffix -2 (March 2003 - August 2008)**  
 Half Grate

Item No.	Please Check ✓	Grate Rim Thickness	Grate Open Area Sq. In.	Part Number
13		3/8	44	67107-005

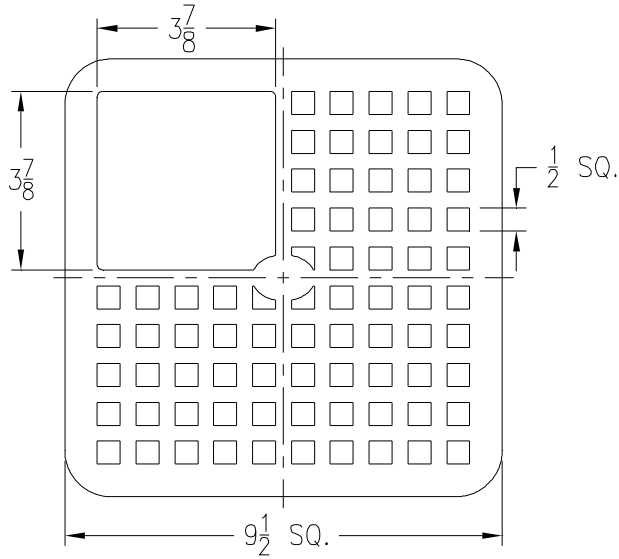


**ZN1900, ZN1901, ZN1902**  
**Suffix -2 (August 2008 - Present)**  
 Half Grate

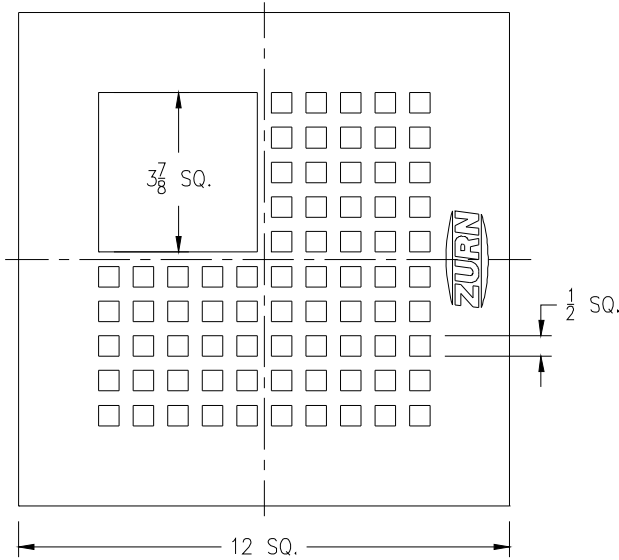
Item No.	Please Check ✓	Grate Rim Thickness	Grate Open Area Sq. In.	Part Number
14		3/8	74	67107-005



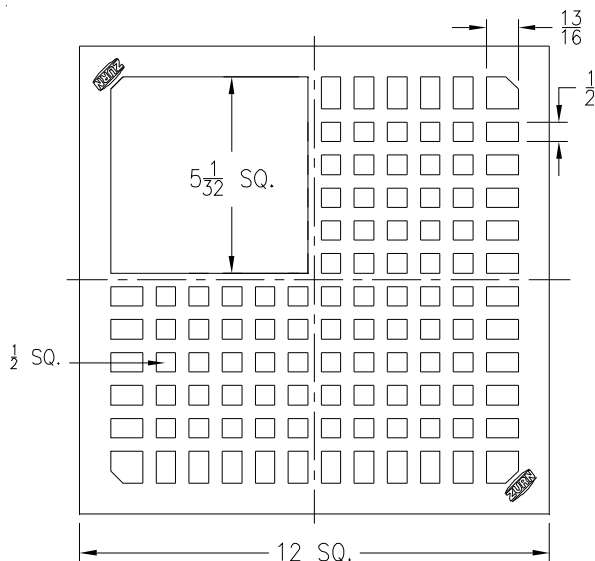
# Z1900, 1901, 1902 & ZN1900, ZN1901, ZN1902 Replacement Grates & Covers



ZN1900, ZN1901, ZN1902 Suffix -3 (May 1970 - March 2003) Three Quarter Grate				
Item No.	Please Check ✓	Grate Rim Thickness	Grate Open Area Sq. In.	Part Number
15		7/32	33	51228-003



ZN1900, ZN1901, ZN1902 Suffix -3 (March 2003 - August 2008) Three Quarter Grate				
Item No.	Please Check ✓	Grate Rim Thickness	Grate Open Area Sq. In.	Part Number
16		3/8	34	67107-003

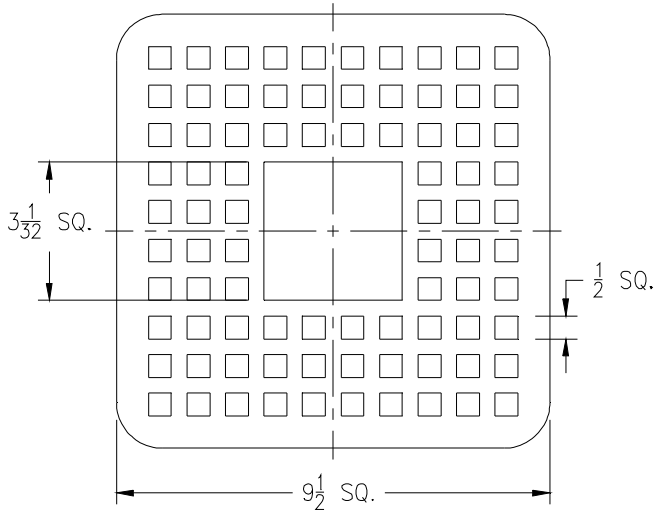


ZN1900, ZN1901, ZN1902 Suffix -3 (August 2008 - Present) Three Quarter Grate				
Item No.	Please Check ✓	Grate Rim Thickness	Grate Open Area Sq. In.	Part Number
17		3/8	58	67107-003

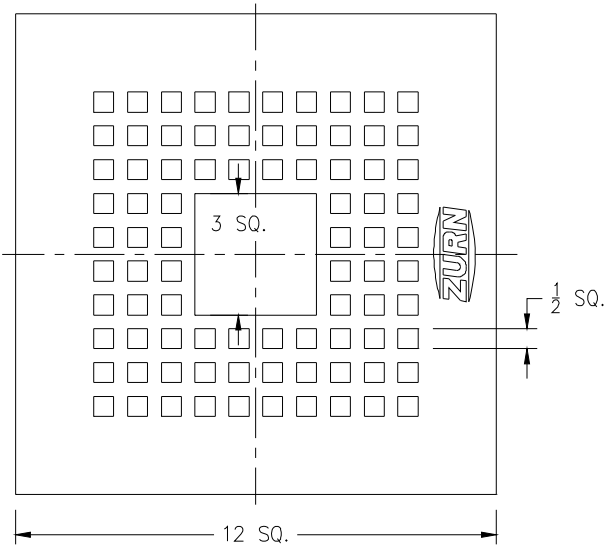


# Z1900, 1901, 1902 & ZN1900, ZN1901, ZN1902

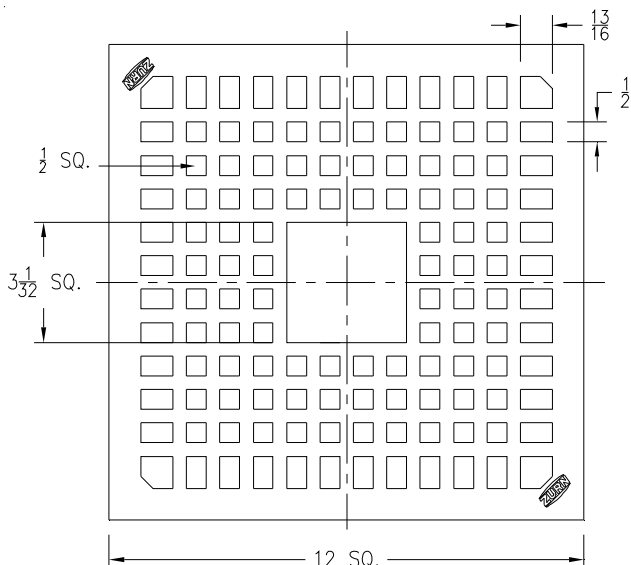
## Replacement Grates & Covers



ZN1900, ZN1901, ZN1902 Suffix -4 (May 1970 - March 2003) Full Grate w/ Square Center Opening				
Item No.	Please Check ✓	Grate Rim Thickness	Grate Open Area Sq. In.	Part Number
18		7/32	30	51228-007



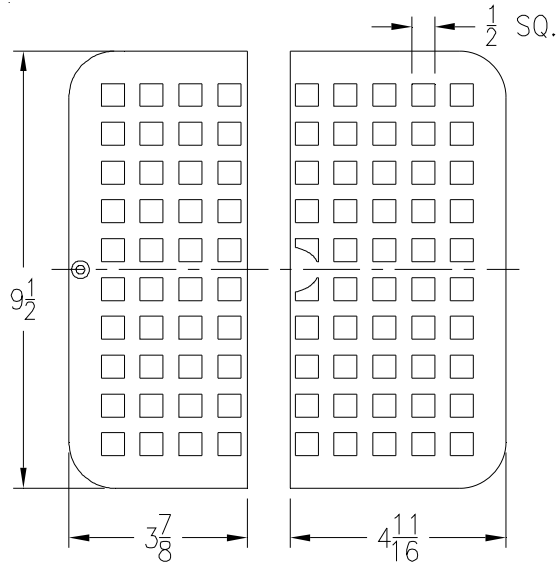
ZN1900, ZN1901, ZN1902 Suffix -4 (March 2003 - August 2008) Full Grate w/ Square Center Opening				
Item No.	Please Check ✓	Grate Rim Thickness	Grate Open Area Sq. In.	Part Number
19		3/8	30	67107-007



ZN1900, ZN1901, ZN1902 Suffix -4 (August 2008 - Present) Full Grate w/ Square Center Opening				
Item No.	Please Check ✓	Grate Rim Thickness	Grate Open Area Sq. In.	Part Number
20		3/8	49	67107-007

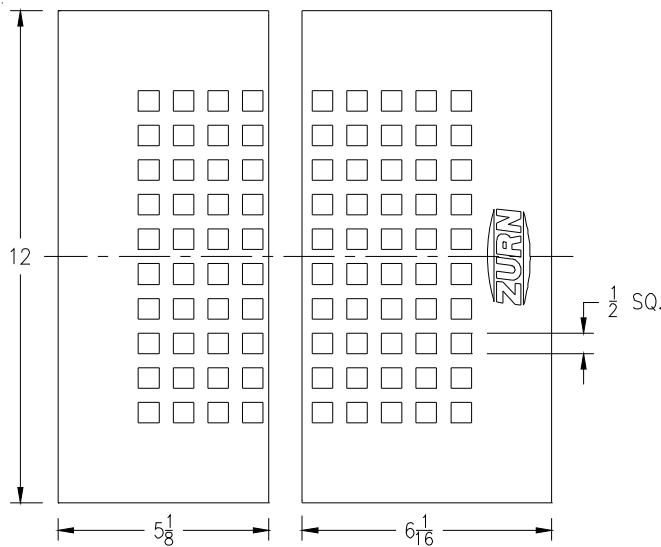


# Z1900, 1901, 1902 & ZN1900, ZN1901, ZN1902 Replacement Grates & Covers



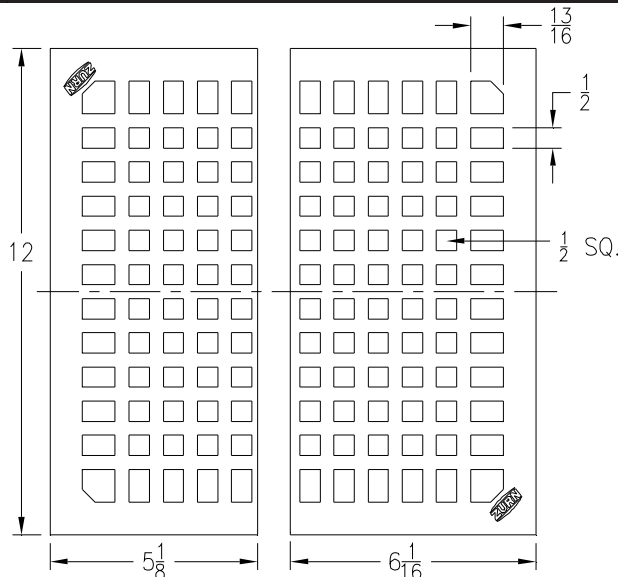
**ZN1900, ZN1901, ZN1902**  
**Suffix -9 (May 1970 - March 2003)**  
 Angle Frame and Grate

Item No.	Please Check ✓	Grate Rim Thickness	Grate Open Area Sq. In.	Part Number
21		7/32	22	51228-009 & -010



**ZN1900, ZN1901, ZN1902**  
**Suffix -9 (March 2003 - August 2008)**  
 Angle Frame and Grate

Item No.	Please Check ✓	Grate Rim Thickness	Grate Open Area Sq. In.	Part Number
22		3/8	22	67107-010 & -012



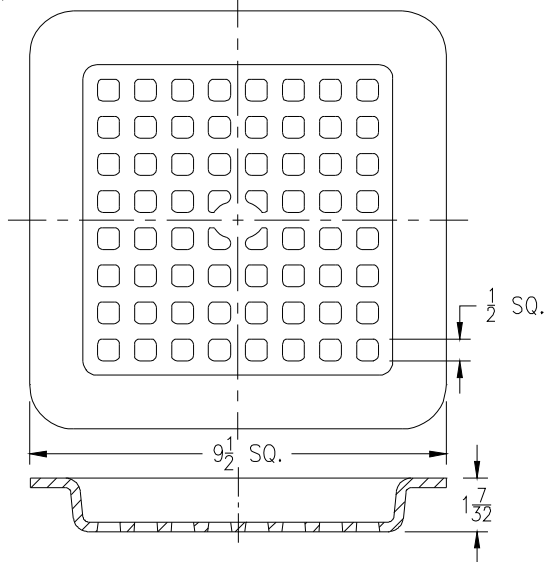
**ZN1900, ZN1901, ZN1902**  
**Suffix -9 (August 2008 - Present)**  
 Angle Frame and Grate

Item No.	Please Check ✓	Grate Rim Thickness	Grate Open Area Sq. In.	Part Number
23		3/8	40	67107-010 & -012



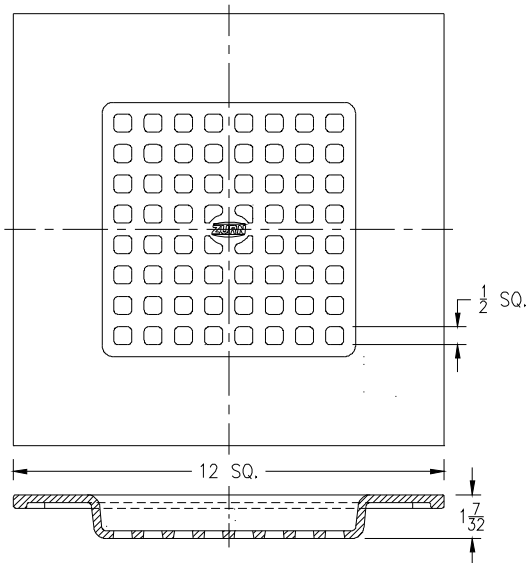


**Z1900, 1901, 1902 & ZN1900, ZN1901, ZN1902**  
**Replacement Grates & Covers**



**ZN1900, ZN1901, ZN1902**  
**Suffix -12 (December 1972 - October 2003)**  
 Depressed Aluminum Grate

Item No.	Please Check ✓	Grate Rim Thickness	Grate Open Area Sq. In.	Part Number
24		7/32	15	52060-001

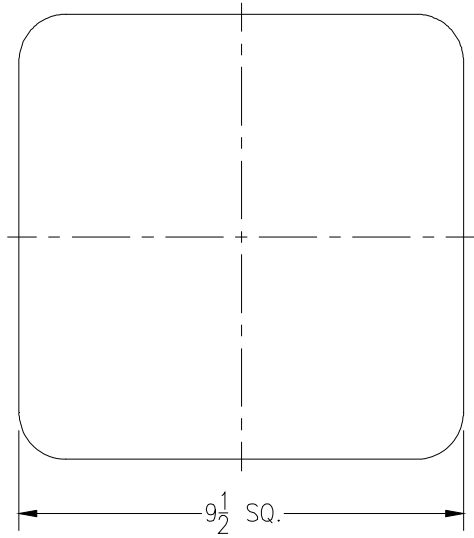


**ZN1900, ZN1901, ZN1902**  
**Suffix -12 (October 2003 - Present)**  
 Depressed Aluminum Grate

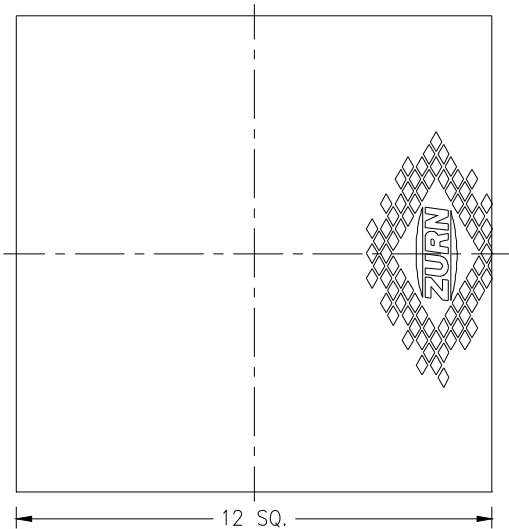
Item No.	Please Check ✓	Grate Rim Thickness	Grate Open Area Sq. In.	Part Number
25		3/8	15	67414-001



**Z1900, 1901, 1902 & ZN1900, ZN1901, ZN1902**  
 Replacement Grates & Covers



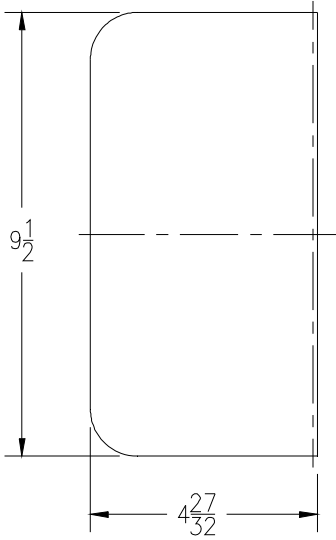
<b>ZN1900, ZN1901, ZN1902</b>			
<b>Suffix -15 (June 1966 - November 2003)</b>			
Solid Loose Set Cover			
Item No.	Please Check	Cover Rim Thickness	Part Number
26	✓	3/16	46894-001



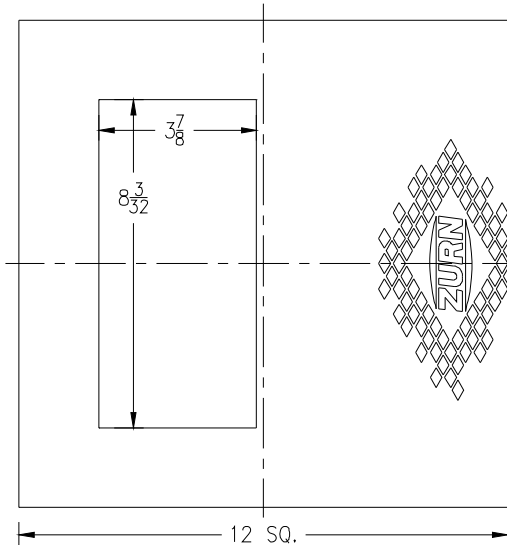
<b>ZN1900, ZN1901, ZN1902</b>			
<b>Suffix -15 (November 2003 - Present)</b>			
Solid Loose Set Cover			
Item No.	Please Check	Cover Rim Thickness	Part Number
27	✓	3/8	67421-001



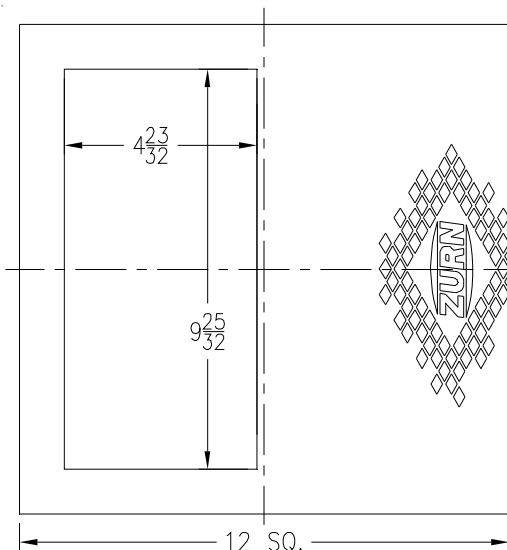
# Z1900, 1901, 1902 & ZN1900, ZN1901, ZN1902 Replacement Grates & Covers



ZN1900, ZN1901, ZN1902 Suffix -16 (June 1966 - November 2003) Half Solid Loose Set Cover				
Item No.	Please Check ✓	Cover Rim Thickness	Cover Open Area Sq. In.	Part Number
28		3/16	35	46894-003



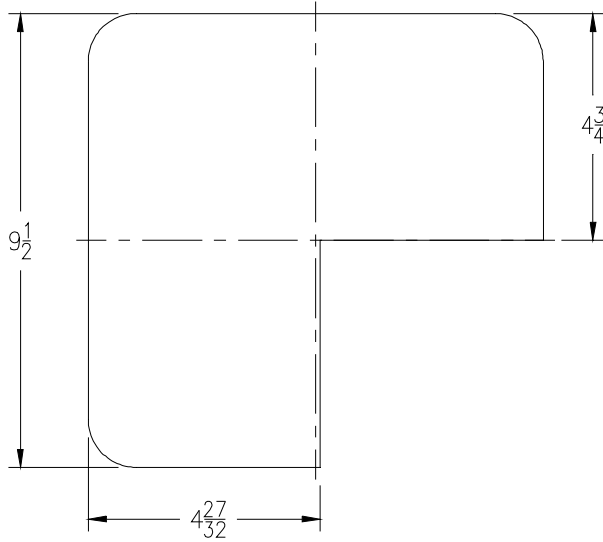
ZN1900, ZN1901, ZN1902 Suffix -16 (November 2003 - October 2008) Half Solid Loose Set Cover				
Item No.	Please Check ✓	Cover Rim Thickness	Cover Open Area Sq. In.	Part Number
29		3/8	31	67421-005



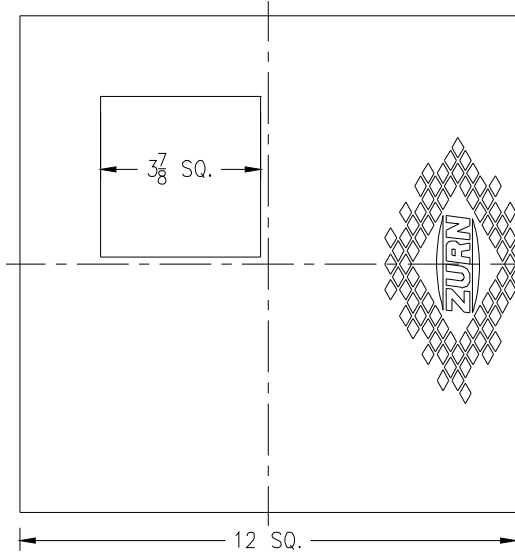
ZN1900, ZN1901, ZN1902 Suffix -16 (October 2008 - Present) Half Solid Loose Set Cover				
Item No.	Please Check ✓	Cover Rim Thickness	Cover Open Area Sq. In.	Part Number
30		3/8	46	67421-005



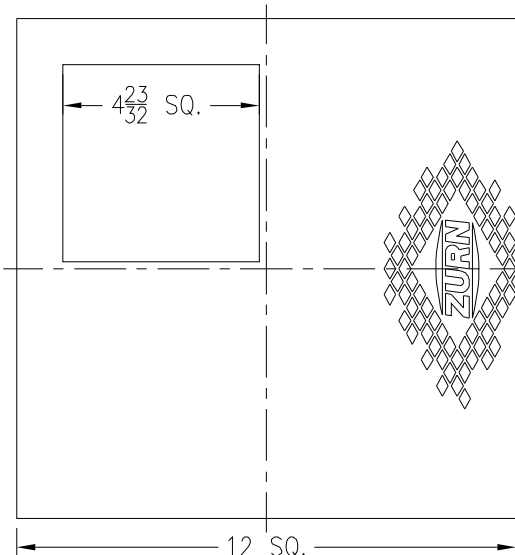
# Z1900, 1901, 1902 & ZN1900, ZN1901, ZN1902 Replacement Grates & Covers



<b>ZN1900, ZN1901, ZN1902</b>				
<b>Suffix -17 (June 1966 - November 2003)</b>				
Three Quarter Solid Loose Set Cover				
Item No.	Please Check ✓	Cover Rim Thickness	Cover Open Area Sq. In.	Part Number
31		3/16	18	46894-005



<b>ZN1900, ZN1901, ZN1902</b>				
<b>Suffix -17 (November 2003 - October 2008)</b>				
Three Quarter Solid Loose Set Cover				
Item No.	Please Check ✓	Cover Rim Thickness	Cover Open Area Sq. In.	Part Number
32		3/8	15	67421-003

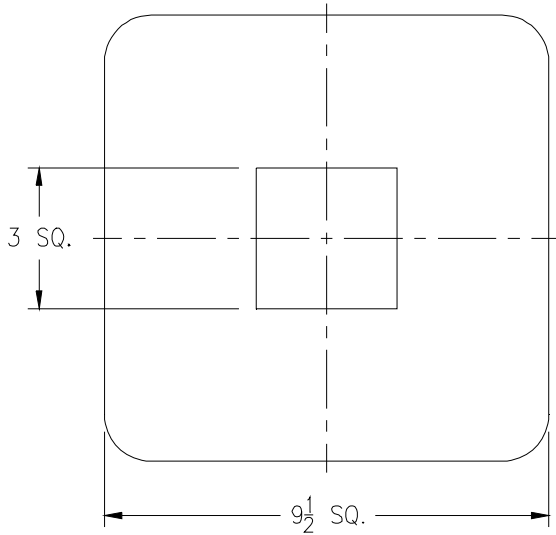


<b>ZN1900, ZN1901, ZN1902</b>				
<b>Suffix -17 (October 2008 - Present)</b>				
Three Quarter Solid Loose Set Cover				
Item No.	Please Check ✓	Cover Rim Thickness	Cover Open Area Sq. In.	Part Number
33		3/8	22	67421-003

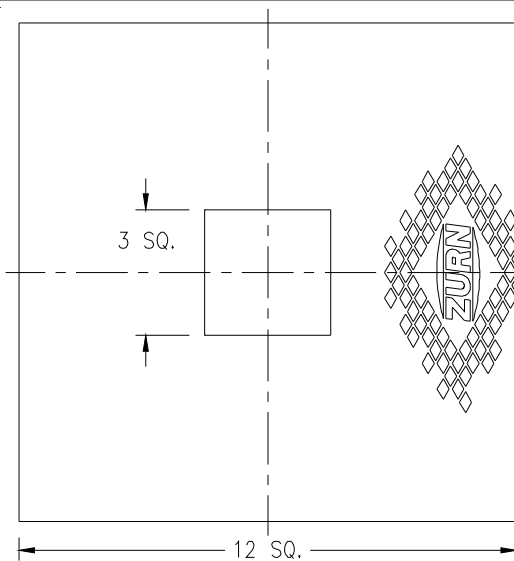


# Z1900, 1901, 1902 & ZN1900, ZN1901, ZN1902

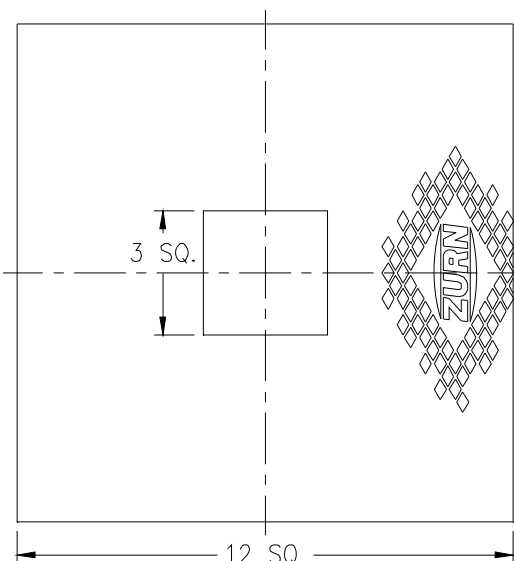
## Replacement Grates & Covers



ZN1900, ZN1901, ZN1902				
Suffix -18 (June 1966 - November 2003)				
Loose Set Cover w/ Square Center Opening				
Item No.	Please Check	Cover Rim Thickness	Cover Open Area Sq. In.	Part Number
34	✓	3/16	9	46894-007



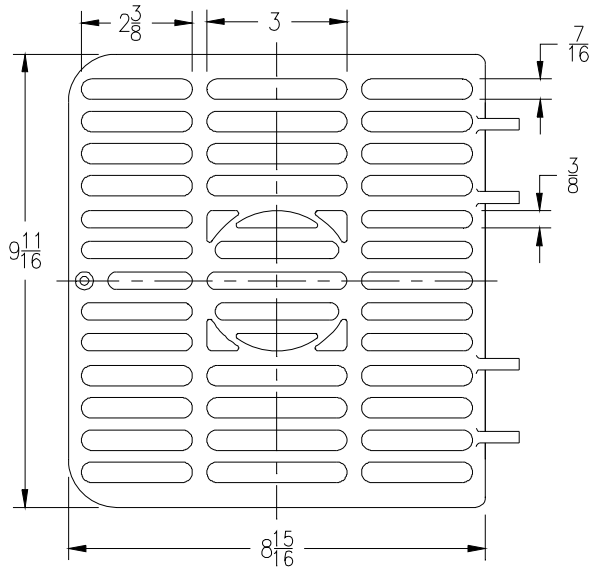
ZN1900, ZN1901, ZN1902				
Suffix -18 (November 2003 - October 2008)				
Loose Set Cover w/ Square Center Opening				
Item No.	Please Check	Cover Rim Thickness	Cover Open Area Sq. In.	Part Number
35	✓	3/8	9	67421-007



ZN1900, ZN1901, ZN1902				
Suffix -18 (October 2008 - Present)				
Loose Set Cover w/ Square Center Opening				
Item No.	Please Check	Cover Rim Thickness	Cover Open Area Sq. In.	Part Number
36	✓	3/8	9	67421-007

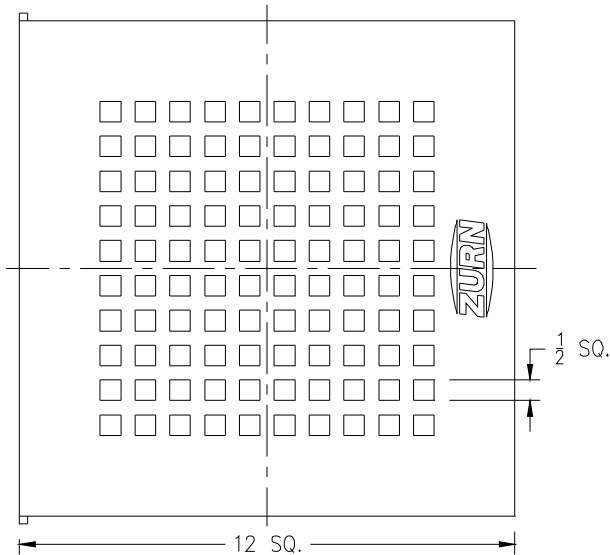


# Z1900, 1901, 1902 & ZN1900, ZN1901, ZN1902 Replacement Grates & Covers



**ZN1900, ZN1901, ZN1902**  
**Suffix -19 (February 1961 - January 2003)**  
 Full Hinged Grate

Item No.	Please Check ✓	Grate Rim Thickness	Grate Open Area Sq. In.	Part Number
37		5/32	40	33159-001

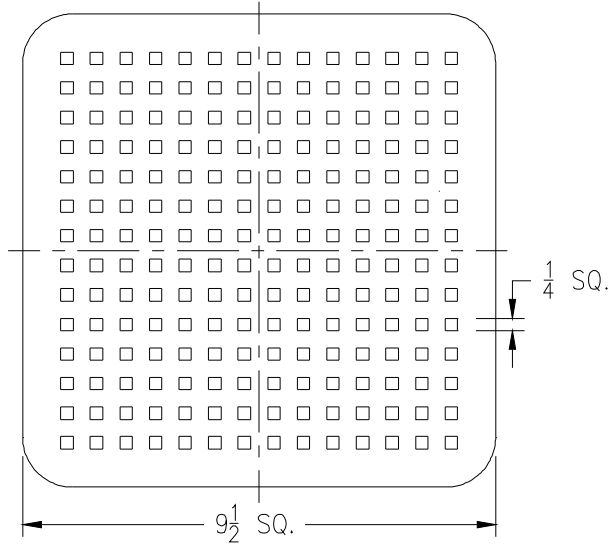


**ZN1900, ZN1901, ZN1902**  
**Suffix -19 (January 2003 - Present)**  
 Full Hinged Grate

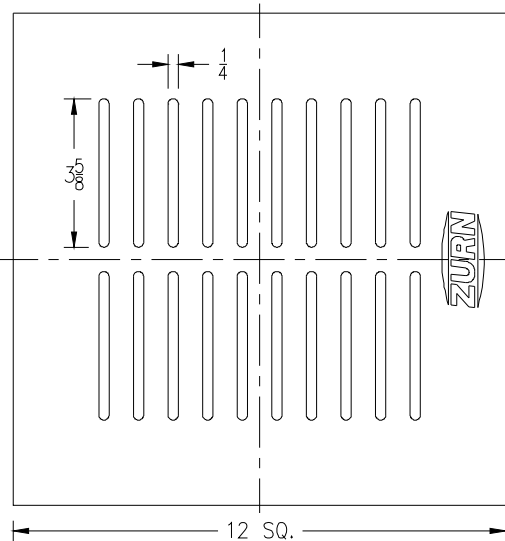
Item No.	Please Check ✓	Grate Rim Thickness	Grate Open Area Sq. In.	Part Number
38		3/8	25	66669-001



**Z1900, 1901, 1902 & ZN1900, ZN1901, ZN1902**  
Replacement Grates & Covers



<b>ZN1900, ZN1901, ZN1902</b>				
<b>Suffix -HP (January 1998 - October 2003)</b>				
Heel-Proof Grate				
Item No.	Please Check ✓	Grate Rim Thickness	Grate Open Area Sq. In.	Part Number
39		3/16	12	980104-1



<b>ZN1900, ZN1901, ZN1902</b>				
<b>Suffix -HP (October 2003 - Present)</b>				
Heel-Proof Grate				
Item No.	Please Check ✓	Grate Rim Thickness	Grate Open Area Sq. In.	Part Number
40		3/8	18	67416-001