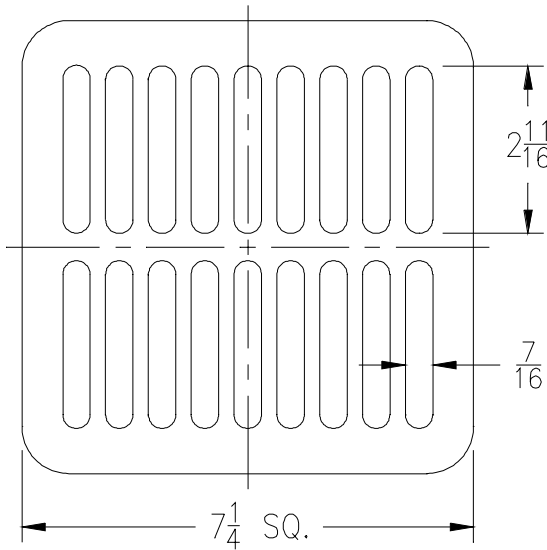


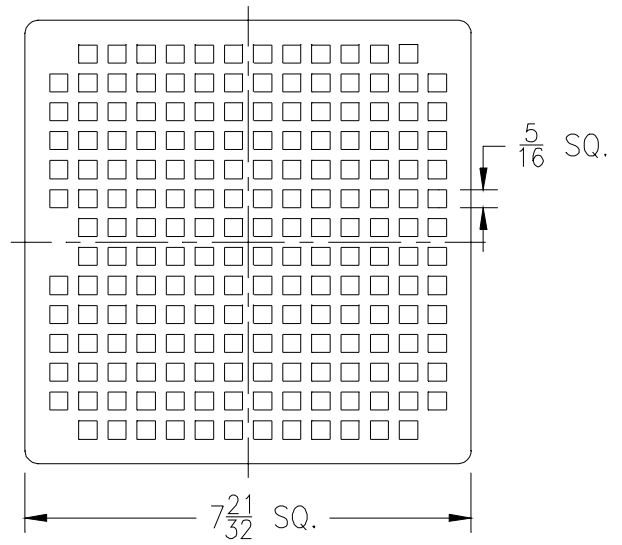


Z1910 & ZN1910 Replacement Grates & Covers



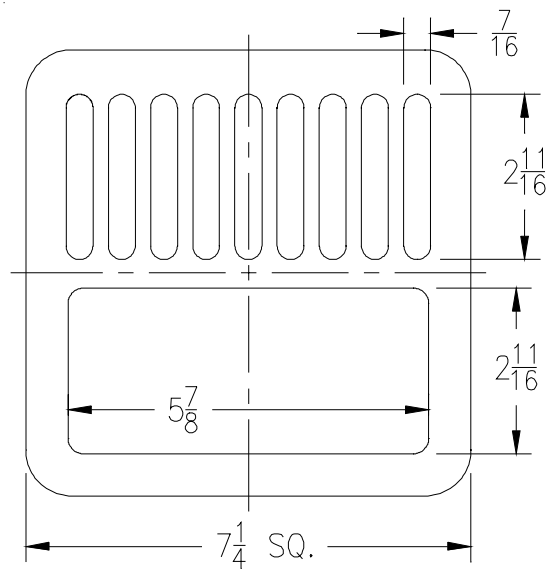
Full Grate

Please Check ✓	Item No.	Z1910		
		Grate Rim Thickness	Grate Open Area Sq. In.	Part Number
	1	1/2	20	56756-1



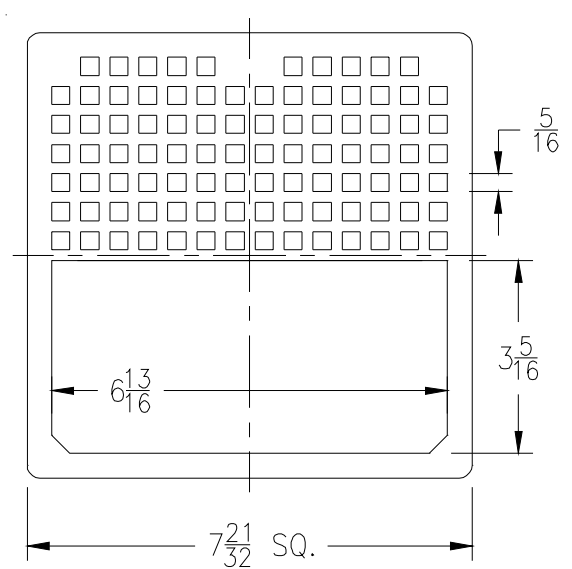
Full Grate

Please Check ✓	Item No.	ZN1910		
		Grate Rim Thickness	Grate Open Area Sq. In.	Part Number
	2	3/16	19	56758-1



-2 Half Grate

Please Check ✓	Item No.	Z1910		
		Grate Rim Thickness	Grate Open Area Sq. In.	Part Number
	3	1/2	26	56756-3

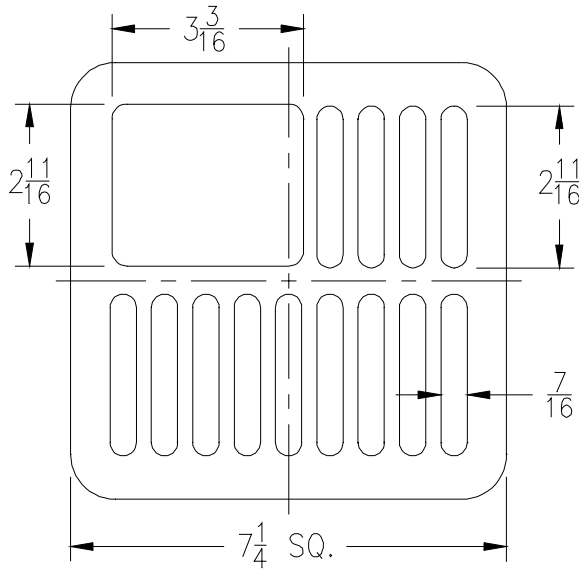


-2 Half Grate

Please Check ✓	Item No.	ZN1910		
		Grate Rim Thickness	Grate Open Area Sq. In.	Part Number
	4	3/16	32	56758-3

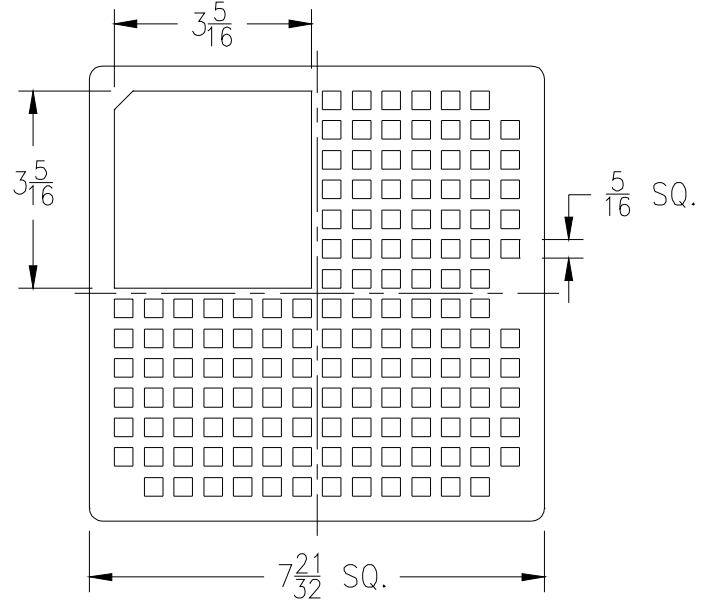


Z1910 & ZN1910 Replacement Grates & Covers



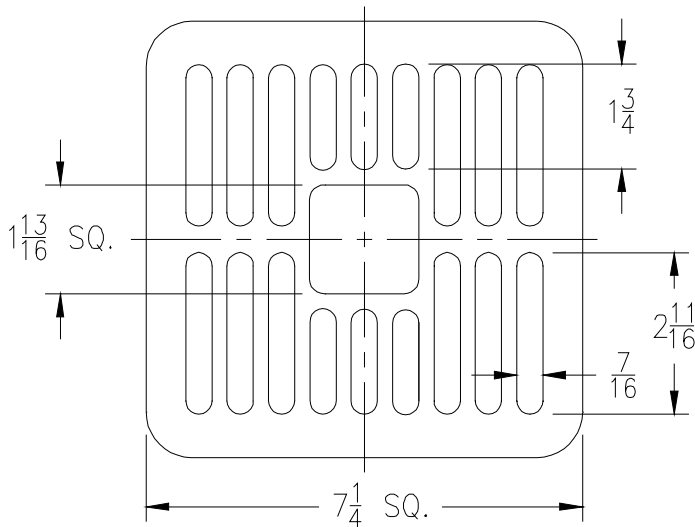
-3 Three Quarter Grate

Please Check ✓	Item No.	Z1910		
		Grate Rim Thickness	Grate Open Area Sq. In.	Part Number
	5	1/2	23	56756-2



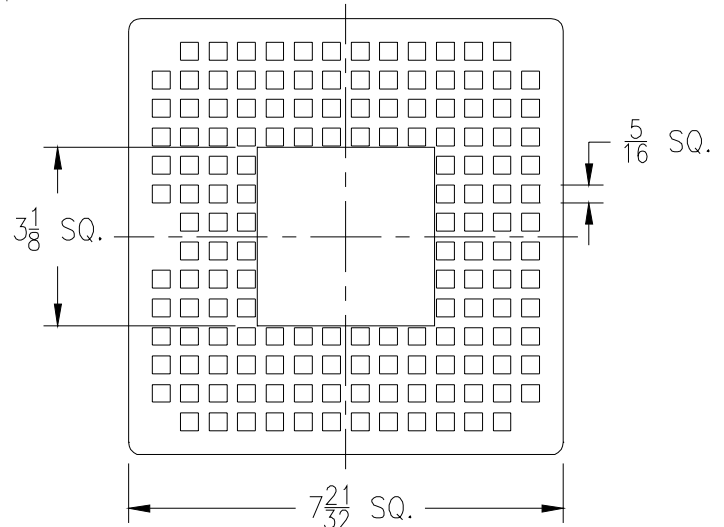
-3 Three Quarter Grate

Please Check ✓	Item No.	ZN1910		
		Grate Rim Thickness	Grate Open Area Sq. In.	Part Number
	6	3/16	25	56758-2



-4 Full Grate w/ Square Center Opening

Please Check ✓	Item No.	Z1910		
		Grate Rim Thickness	Grate Open Area Sq. In.	Part Number
	7	1/2	21	56756-4



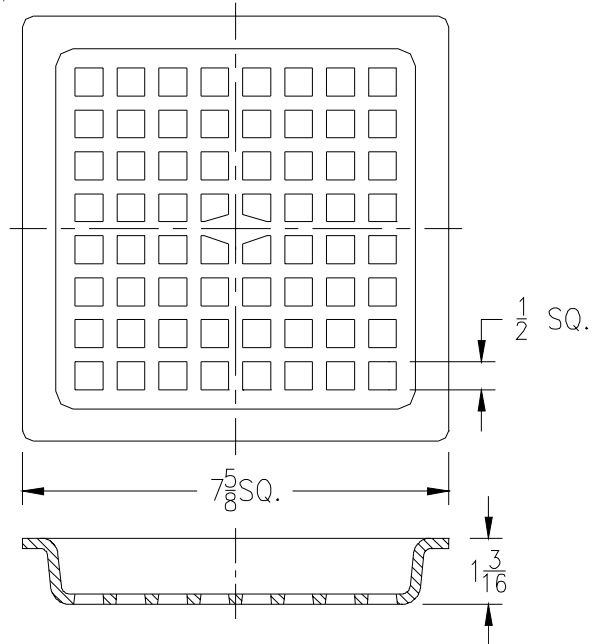
-4 Full Grate w/ Square Center Opening

Please Check ✓	Item No.	ZN1910		
		Grate Rim Thickness	Grate Open Area Sq. In.	Part Number
	8	3/16	27	56758-4



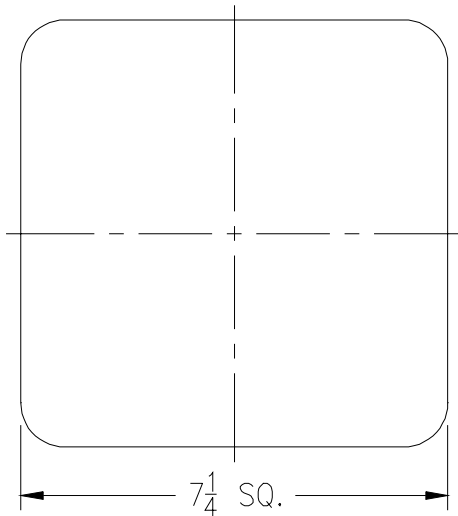
Z1910 & ZN1910 Replacement Grates & Covers

-12 Depressed Aluminum Grate
Not Available on the
Z1910



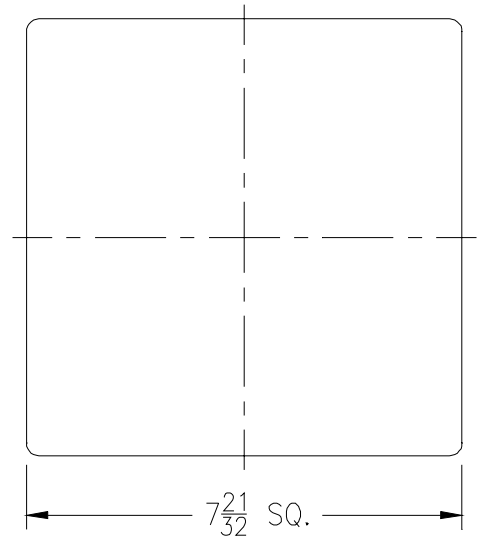
-12 Depressed Aluminum Grate

Please Check	Item No.	ZN1910		
		Grate Rim Thickness	Grate Open Area Sq. In.	Part Number
<input checked="" type="checkbox"/>	9	3/16	16	57157-1



-15 Solid Loose Set Cover

Please Check	Item No.	Z1910	
		Cover Rim Thickness	Part Number
<input checked="" type="checkbox"/>	10	3/16	57227-1

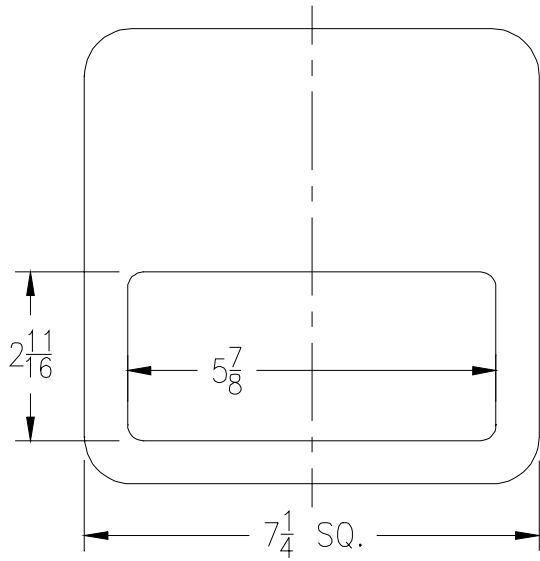


-15 Solid Loose Set Cover

Please Check	Item No.	ZN1910	
		Cover Rim Thickness	Part Number
<input checked="" type="checkbox"/>	11	3/16	56758-11

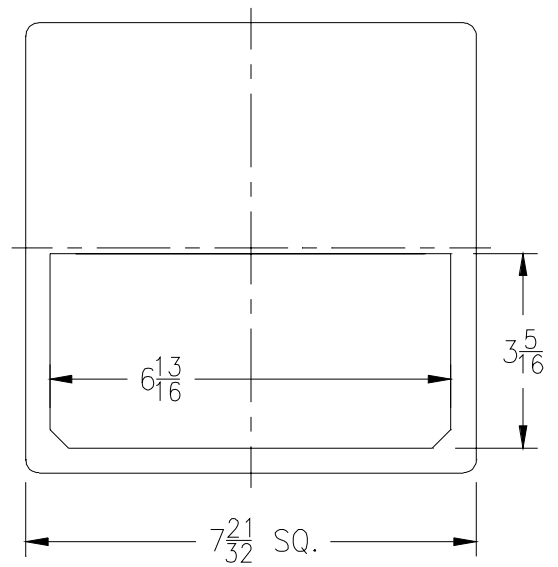


Z1910 & ZN1910 Replacement Grates & Covers



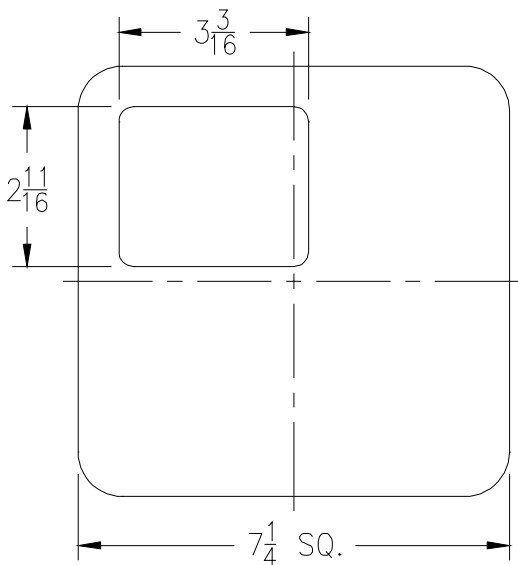
-16 Half Solid Loose Set Cover

Please Check ✓	Item No.	Z1910		
		Cover Rim Thickness	Cover Open Area Sq. In.	Part Number
	12	3/16	16	57227-3



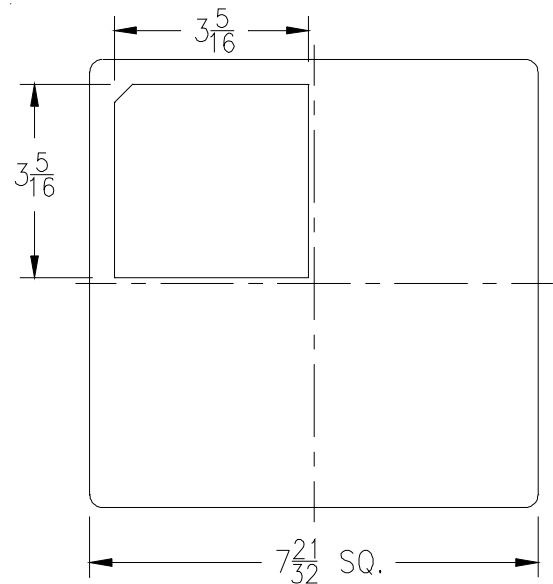
-16 Half Solid Loose Set Cover

Please Check ✓	Item No.	ZN1910		
		Cover Rim Thickness	Open Area Sq. In.	Part Number
	13	3/16	22	56758-13



-17 Three Quarter Solid Loose Set Cover

Please Check ✓	Item No.	Z1910		
		Cover Rim Thickness	Cover Open Area Sq. In.	Part Number
	14	3/16	9	57227-2

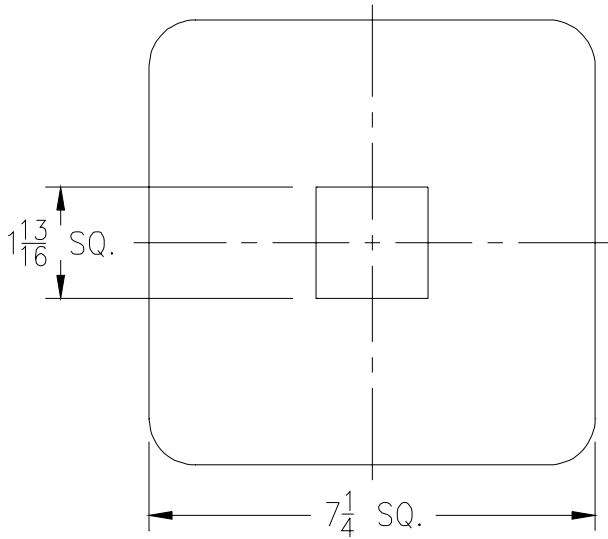


-17 Three Quarter Solid Loose Set Cover

Please Check ✓	Item No.	ZN1910		
		Cover Rim Thickness	Cover Open Area Sq. In.	Part Number
	15	3/16	11	56758-12

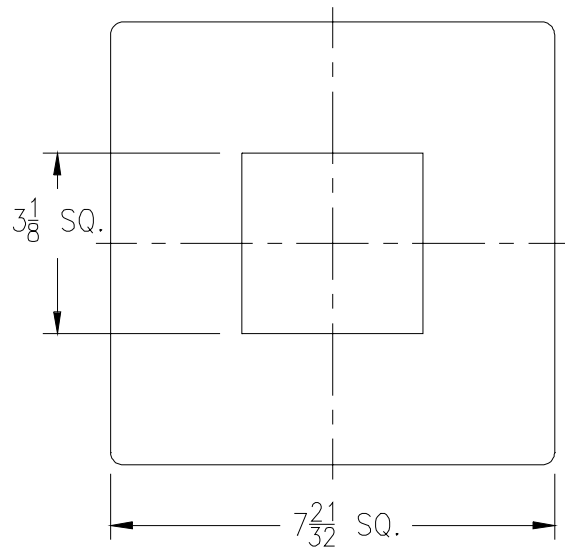


Z1910 & ZN1910 Replacement Grates & Covers



-18 Loose Set Cover w/ Square Center Opening

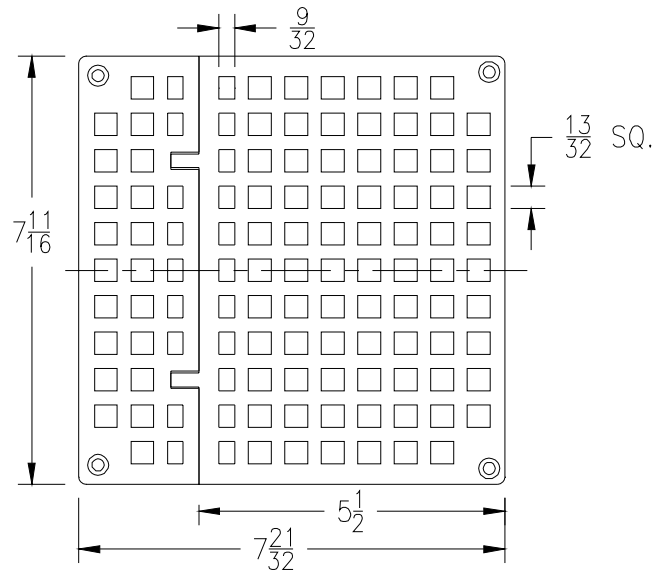
Please Check ✓	Item No.	Z1910		
		Cover Rim Thickness	Cover Open Area Sq. In.	Part Number
	16	3/16	3	57227-4



-18 Loose Set Cover w/ Square Center Opening

Please Check ✓	Item No.	ZN1910		
		Cover Rim Thickness	Cover Open Area Sq. In.	Part Number
	17	3/16	10	56758-14

-19 Full Hinged Gate
Not Available on the
Z1910



-19 Full Hinged Gate

Please Check ✓	Item No.	ZN1910		
		Grate Rim Thickness	Grate Open Area Sq. In.	Part Number
	18	1/8	18	36689-2 & 36690-2