

# INDEX PAGE for P874-18 Grates

---

↕- *Click on "Item ID" to go to grate page, 'Back to Index" will return you to this page.*

P874-18-DCC .....	Solid Cover, Ductile Iron
P874-18-DCF .....	Solid Cover, Ductile Iron
P874-18-DGC .....	Slotted Grate, Ductile Iron
P874-18-DGE .....	Slotted Grate, Ductile Iron
P874-18-DGE-USA.....	Slotted Grate, Ductile Iron
P874-18-DGF.....	Slotted Grate, Ductile Iron
P874-18-GDC.....	Slotted Grate, Galvanized Ductile Iron
P874-18-GDE.....	Slotted Grate, Galvanized Ductile Iron
P874-18-GDE-USA.....	Slotted Grate, Galvanized Ductile Iron
P874-18-GDF .....	Slotted Grate, Galvanized Ductile Iron
P874-18-GG .....	Slotted Grate, Fiberglass
P874-18-HPD .....	Slotted Heel-Proof Grate, Ductile Iron
P874-18-GHPD .....	Galvanized Slotted Heel-Proof Grate, Ductile Iron



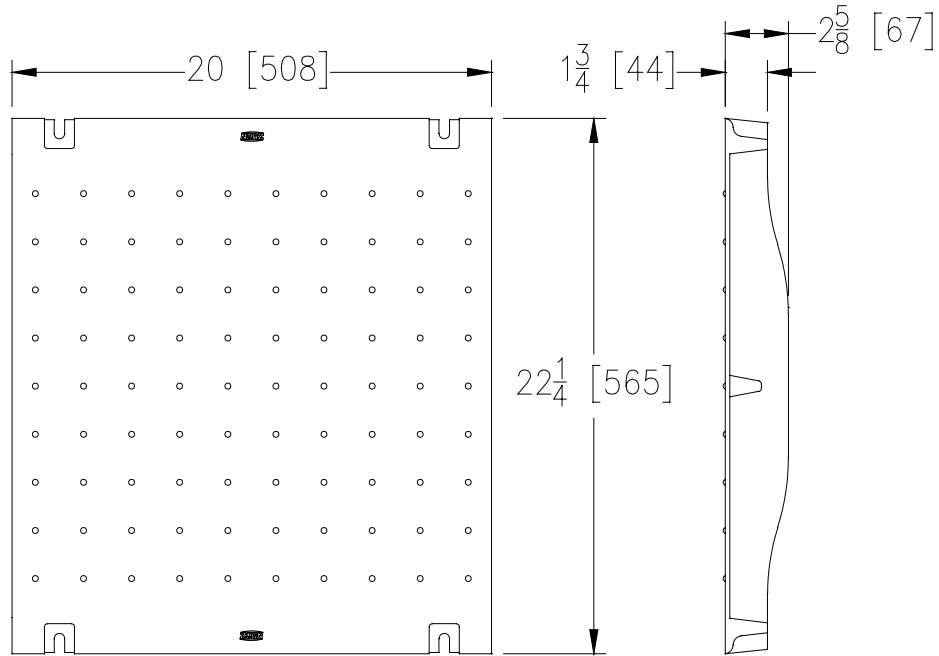
# P874-18-DCC

22-1/4 [565] Wide Ductile Iron Solid Cover

Design and Dimensional Data (inches and [ mm ]) are Subject to Manufacturing Tolerances and Change Without Notice

[Back to Index](#)

Please Check ✓	Item No.	Part Number	Item I.D.
	1	64400	P874-18-DCC



### DCC ENGINEERING SPECIFICATION: The Zurn P874-18-DCC

Ductile Iron Solid Cover, is 22-1/4 inches [565] wide x 20 inches [508] long, weighing 54.1lbs [24.5kg] per linear foot. DIN Rating of Class C, ANSI Rating of Heavy-Duty, ADA compliant and H-20 Load Rated. Ductile iron conforms to ASTM specification A536, grade 80-55-06.

DCC - Ductile Iron Solid Cover	
Material:	Ductile Iron
DIN Rating:	Class C
Weight:	54.1 lbs/ft. [80.5 kg/m]
Open Area:	N/A
ANSI Rating:	Heavy-Duty
Application:	Heavy Vehicle, Truck & Conduit
Slot Width/Hole Size:	N/A
ADA:	Yes
H-20:	Yes
FAA:	No

**⚠ WARNING:** Cancer and Reproductive Harm - [www.P65Warnings.ca.gov](http://www.P65Warnings.ca.gov)

**⚠ ADVERTENCIA:** Cáncer y daño reproductivo - [www.P65Warnings.ca.gov](http://www.P65Warnings.ca.gov)

**⚠ AVERTISSEMENT:** Cancer et effets néfastes sur la reproduction - [www.P65Warnings.ca.gov](http://www.P65Warnings.ca.gov)



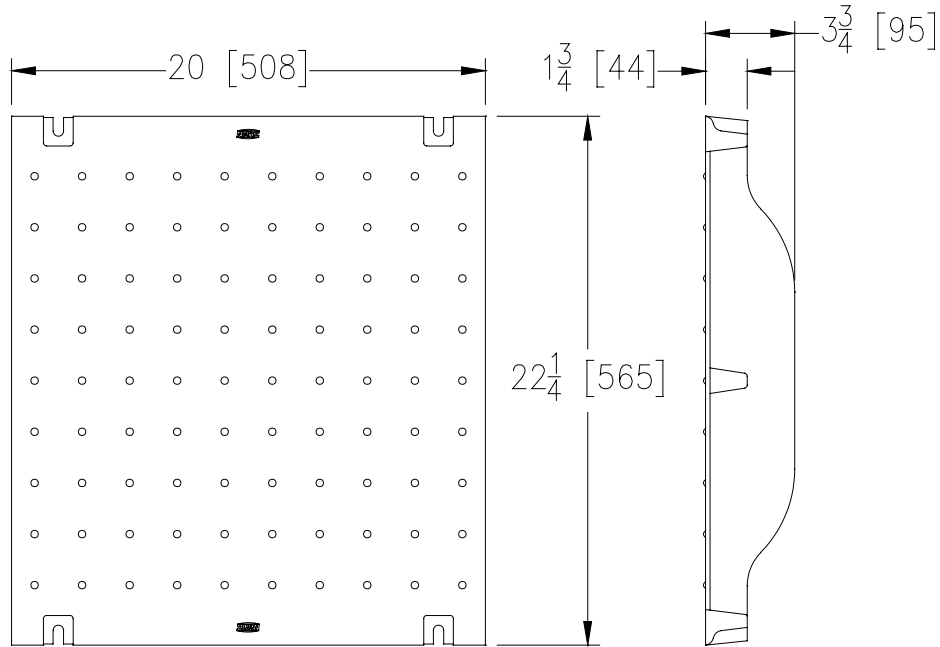
# P874-18-DCF

22-1/4 [565] Wide Ductile Iron Solid Cover

Design and Dimensional Data (inches and [ mm ]) are Subject to Manufacturing Tolerances and Change Without Notice

[Back to Index](#)

Please Check ✓	Item No.	Part Number	Item I.D.
	2	64399	P874-18-DCF



**DCF ENGINEERING SPECIFICATION:** The Zurn P874-18-DCF

Ductile Iron Solid Cover, is 22-1/4 inches [565] wide x 20 inches [508] long, weighing 80.2lbs [36.4kg]. DIN Rating of Class F, ANSI Rating of Special-Duty, ADA compliant, H-20 Load Rated and FAA Load Rated. Ductile iron conforms to ASTM specification A536, grade 80-55-06.

DCF - Ductile Iron Solid Cover	
Material:	Ductile Iron
DIN Rating:	Class F
Weight:	80.2 lbs/ft. [119.4 kg/m]
Open Area:	N/A
ANSI Rating:	Special-Duty
Application:	Airports, Extreme Loading
Slot Width/Hole Size:	N/A
ADA:	Yes
H-20:	Yes
FAA:	Yes

**⚠ WARNING:** Cancer and Reproductive Harm - [www.P65Warnings.ca.gov](http://www.P65Warnings.ca.gov)

**⚠ ADVERTENCIA:** Cáncer y daño reproductivo - [www.P65Warnings.ca.gov](http://www.P65Warnings.ca.gov)

**⚠ AVERTISSEMENT:** Cancer et effets néfastes sur la reproduction - [www.P65Warnings.ca.gov](http://www.P65Warnings.ca.gov)



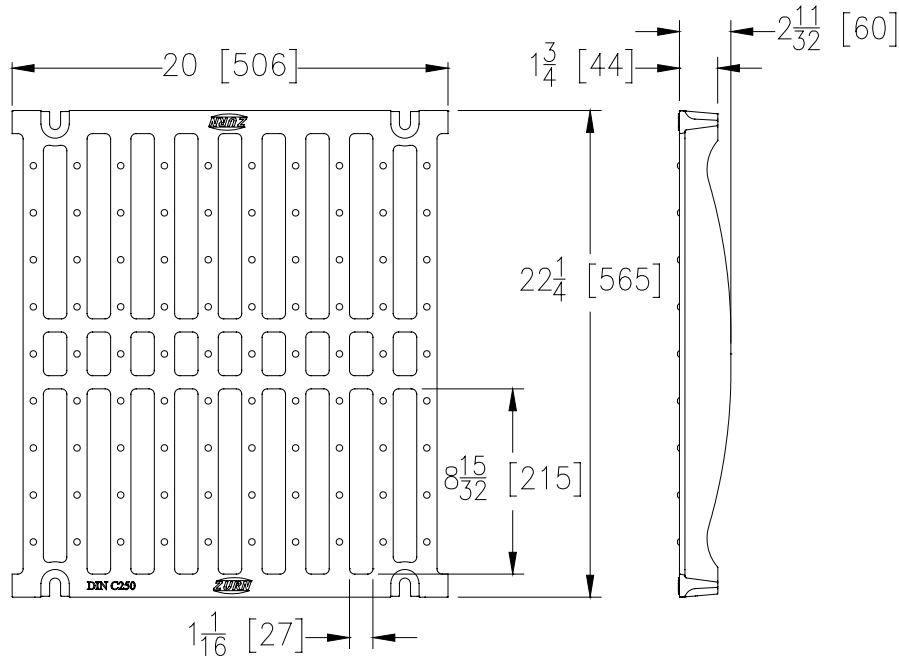
# P874-18-DGC

22-1/4 [565] Wide Ductile Iron Slotted Grate

Design and Dimensional Data (inches and [ mm ]) are Subject to Manufacturing Tolerances and Change Without Notice

[Back to Index](#)

Please Check ✓	Item No.	Part Number	Item I.D.
	3	94522	P874-18-DGC



### DGC ENGINEERING SPECIFICATION: The Zurn P874-18-DGC

Ductile Iron Slotted Grate, is 22-1/4 inches [572] wide x 20 inches [508] long, weighing 33.1lbs [15kg] per linear foot. The grate has an open area of 118.1 square inches [761] per linear foot, DIN Rating of Class C, ANSI Rating of Heavy-Duty, and H-20 Load Rated. Ductile iron conforms to ASTM specification A536, grade 80-55-06.

DGC - Ductile Iron Slotted Grate	
Material:	Ductile Iron
DIN Rating:	Class C
Weight:	33.1 lbs/ft. [49.3 kg/m]
Open Area:	118.1 in <sup>2</sup> /ft [2499.8 cm <sup>2</sup> /m]
ANSI Rating:	Heavy-Duty
Application:	Truck Traffic & Pneumatic Tire
Slot Width/Hole Size:	1-1/16"
ADA:	No
H-20:	Yes
FAA:	No

**⚠ WARNING:** Cancer and Reproductive Harm - [www.P65Warnings.ca.gov](http://www.P65Warnings.ca.gov)

**⚠ ADVERTENCIA:** Cáncer y daño reproductivo - [www.P65Warnings.ca.gov](http://www.P65Warnings.ca.gov)

**⚠ AVERTISSEMENT:** Cancer et effets néfastes sur la reproduction - [www.P65Warnings.ca.gov](http://www.P65Warnings.ca.gov)



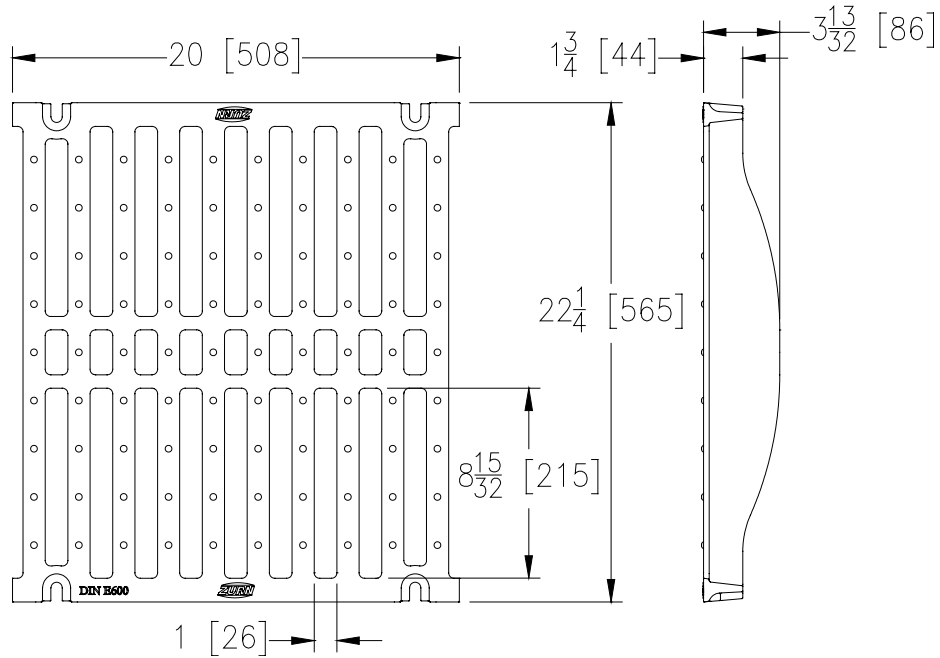
# P874-18-DGE

22-1/4 [565] Wide Ductile Iron Slotted Grate

Design and Dimensional Data (inches and [ mm ]) are Subject to Manufacturing Tolerances and Change Without Notice

[Back to Index](#)

Please Check ✓	Item No.	Part Number	Item I.D.
	4	94499	P874-18-DGE



## DGE ENGINEERING SPECIFICATION: The Zurn P874-18-DGE

Ductile Iron Slotted Grate, is 22-1/4 inches [572] wide x 20 inches [508] long, weighing 50.2lbs [23kg] per linear foot. The grate has an open area of 111.4 square inches [719] per linear foot, DIN Rating of Class E, ANSI Rating of Special-Duty, H-20 Load Rated and FAA Load Rated. Ductile iron conforms to ASTM specification A536, grade 80-55-06

DGE - Ductile Iron Slotted Grate	
Material:	Ductile Iron
DIN Rating:	Class E
Weight:	50.2 lbs/ft. [74.7 kg/m]
Open Area:	111.4 in <sup>2</sup> /ft [2358 cm <sup>2</sup> /m]
ANSI Rating:	Special-Duty
Application:	Airports, Extreme Loading
Slot Width/Hole Size:	1.0"
ADA:	No
H-20:	Yes
FAA:	Yes

**⚠ WARNING:** Cancer and Reproductive Harm - [www.P65Warnings.ca.gov](http://www.P65Warnings.ca.gov)

**⚠ ADVERTENCIA:** Cáncer y daño reproductivo - [www.P65Warnings.ca.gov](http://www.P65Warnings.ca.gov)

**⚠ AVERTISSEMENT:** Cancer et effets néfastes sur la reproduction - [www.P65Warnings.ca.gov](http://www.P65Warnings.ca.gov)

Page 4 of 13

Zurn Industries, LLC | Specification Drainage Operation  
1801 Pittsburgh Avenue, Erie, PA 16502, Ph. 855.663.9876

In Canada | Zurn Industries Limited  
7900 Goreway Drive, Unit 10, Brampton, Ontario L6T 5W6, Ph. 877.892.5216

[www.zurn.com](http://www.zurn.com)

Rev. H  
Date: 04/17/23  
C.N. No. 145253  
Form # FT882



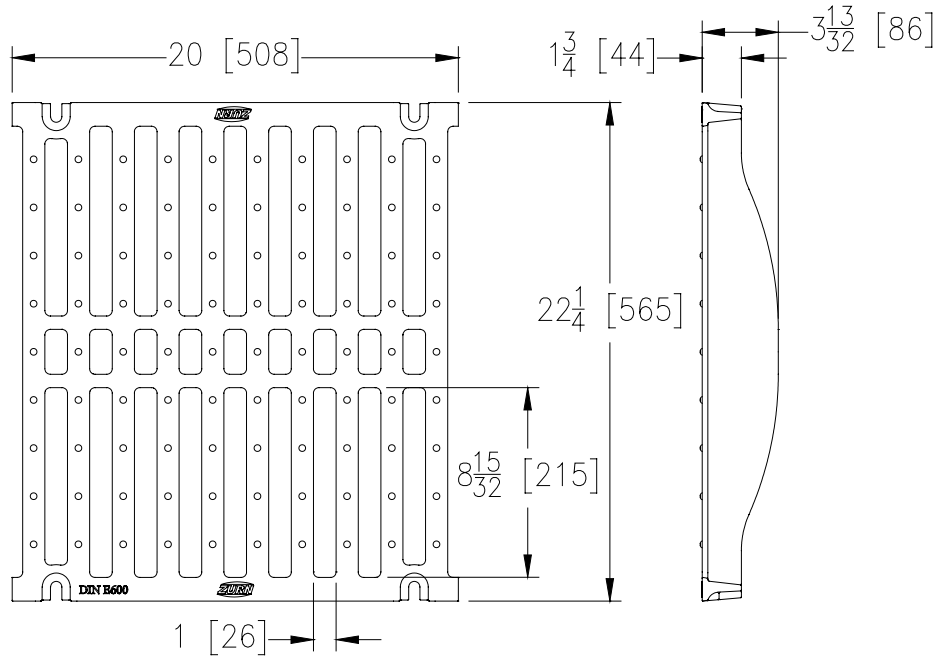
# P874-18-DGE-USA

## 22-1/4 [565] Wide Ductile Iron Slotted Grate

Design and Dimensional Data (inches and [ mm ]) are Subject to Manufacturing Tolerances and Change Without Notice

[Back to Index](#)

Please Check ✓	Item No.	Part Number	Item I.D.
	5	94499	P874-18-DGE-USA



### DGE-USA ENGINEERING SPECIFICATION: The Zurn P874-18-DGE-USA

Ductile Iron Slotted Grate, is 22-1/4 inches [572] wide x 20 inches [508] long, weighing 50.2lbs [23kg] per linear foot. The grate has an open area of 111.4 square inches [719] per linear foot, DIN Rating of Class E, ANSI Rating of Special-Duty, H-20 Load Rated and FAA Load Rated. Ductile iron conforms to ASTM specification A536, grade 80-55-06



DGE - Ductile Iron Slotted Grate	
Material:	Ductile Iron
DIN Rating:	Class E
Weight:	50.2 lbs/ft. [74.7 kg/m]
Open Area:	111.4 in <sup>2</sup> /ft [2358 cm <sup>2</sup> /m]
ANSI Rating:	Special-Duty
Application:	Airports, Extreme Loading
Slot Width/Hole Size:	1.0"
ADA:	No
H-20:	Yes
FAA:	Yes

**⚠ WARNING:** Cancer and Reproductive Harm - [www.P65Warnings.ca.gov](http://www.P65Warnings.ca.gov)

**⚠ ADVERTENCIA:** Cáncer y daño reproductivo - [www.P65Warnings.ca.gov](http://www.P65Warnings.ca.gov)

**⚠ AVERTISSEMENT:** Cancer et effets néfastes sur la reproduction - [www.P65Warnings.ca.gov](http://www.P65Warnings.ca.gov)



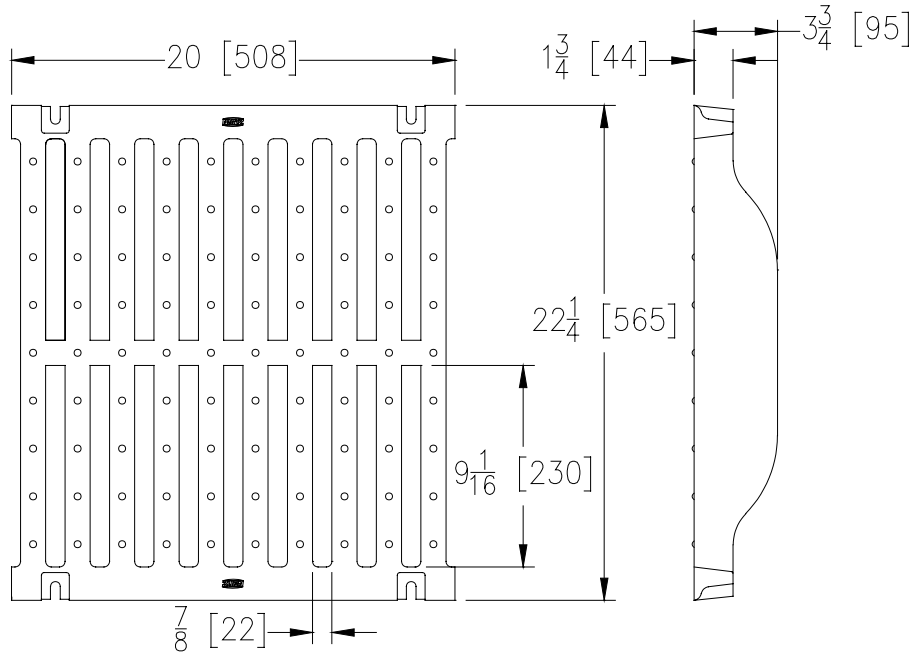
# P874-18-DGF

22-1/4 [565] Wide Ductile Iron Slotted Grate

Design and Dimensional Data (inches and [ mm ]) are Subject to Manufacturing Tolerances and Change Without Notice

[Back to Index](#)

Please Check ✓	Item No.	Part Number	Item I.D.
	6	64373	P874-18-DGF



**DGF ENGINEERING SPECIFICATION:** The Zurn P874-18-DGF

Ductile Iron Slotted Grate, is 22-1/4 inches [572] wide x 20 inches [508] long, weighing 73.4lbs [33] per linear foot. The grate has an open area of 94.1 square inches [607] per linear foot, DIN Rating of Class F, ANSI Rating of Special-Duty, H-20 Load Rated and FAA Load Rated. Ductile iron conforms to ASTM specification A536, grade 80-55-06.

DGF - Ductile Iron Slotted Grate	
Material:	Ductile Iron
DIN Rating:	Class F
Weight:	73.4 lbs/ft. [109.2 kg/m]
Open Area:	94.1 in <sup>2</sup> /ft [1991.8 cm <sup>2</sup> /m]
ANSI Rating:	Special-Duty
Application:	Airports, Extreme Loading
Slot Width/Hole Size:	7/8"
ADA:	No
H-20:	Yes
FAA:	Yes

**⚠ WARNING:** Cancer and Reproductive Harm - [www.P65Warnings.ca.gov](http://www.P65Warnings.ca.gov)

**⚠ ADVERTENCIA:** Cáncer y daño reproductivo - [www.P65Warnings.ca.gov](http://www.P65Warnings.ca.gov)

**⚠ AVERTISSEMENT:** Cancer et effets néfastes sur la reproduction - [www.P65Warnings.ca.gov](http://www.P65Warnings.ca.gov)



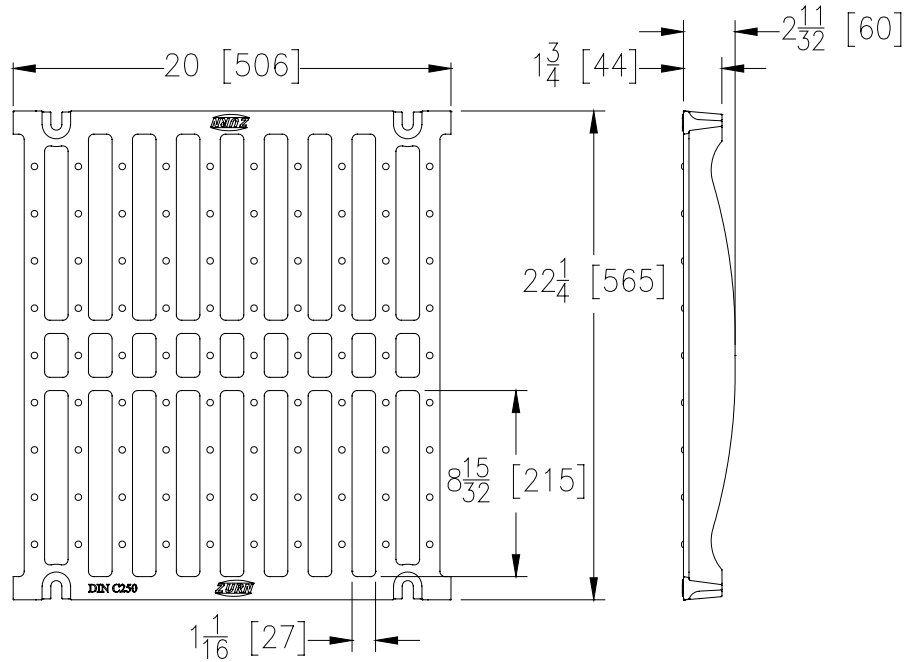
# P874-18-GDC

22-1/4 [565] Wide Galvanized Ductile Iron Slotted Grate

Design and Dimensional Data (inches and [ mm ]) are Subject to Manufacturing Tolerances and Change Without Notice

[Back to Index](#)

Please Check ✓	Item No.	Part Number	Item I.D.
	7	94522	P874-18-GDC



### GDC ENGINEERING SPECIFICATION: The Zurn P874-18-GDC

Galvanized Ductile Iron Slotted Grate, is 22-1/4 inches [572] wide x 20 inches [508] long, weighing 33.1lbs [15] per linear foot. The grate has an open area of 118.1 square inches [762] per linear foot, DIN Rating of Class C, ANSI Rating of Heavy-Duty and H-20 Load Rated. Ductile iron conforms to ASTM specification A536, grade 80-55-06. Galvanizing (hot dip) conforms to ASTM specification A123.

GDC - Galvanized Ductile Iron Slotted Grate	
Material:	Galvanized Ductile Iron
DIN Rating:	Class C
Weight:	33.1 lbs/ft. [49.3 kg/m]
Open Area:	118.1 in <sup>2</sup> /ft [2499.8 cm <sup>2</sup> /m]
ANSI Rating:	Heavy-Duty
Application:	Truck Traffic & Pneumatic Tire
Slot Width/Hole Size:	1-1/16"
ADA:	No
H-20:	Yes
FAA:	No

**⚠ WARNING:** Cancer and Reproductive Harm - [www.P65Warnings.ca.gov](http://www.P65Warnings.ca.gov)

**⚠ ADVERTENCIA:** Cáncer y daño reproductivo - [www.P65Warnings.ca.gov](http://www.P65Warnings.ca.gov)

**⚠ AVERTISSEMENT:** Cancer et effets néfastes sur la reproduction - [www.P65Warnings.ca.gov](http://www.P65Warnings.ca.gov)





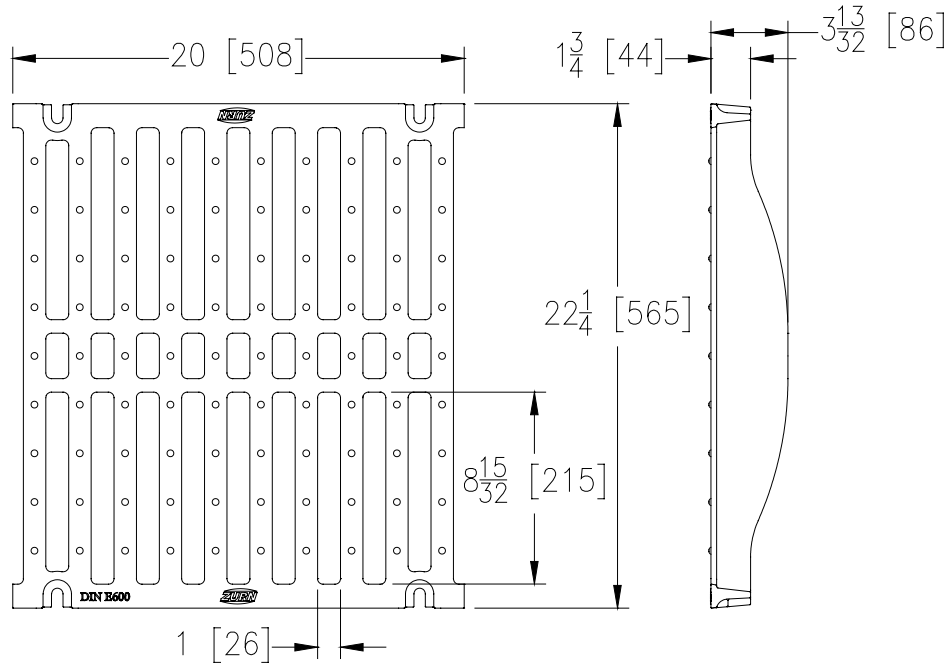
# P874-18-GDE

22-1/4 [565] Wide Galvanized Ductile Iron Slotted Grate

Design and Dimensional Data (inches and [ mm ]) are Subject to Manufacturing Tolerances and Change Without Notice

[Back to Index](#)

Please Check ✓	Item No.	Part Number	Item I.D.
	8	94499	P874-18-GDE



**GDE ENGINEERING SPECIFICATION:** The Zurn P874-18-GDE

Galvanized Ductile Iron Slotted Grate, is 22-1/4 inches [572] wide x 20 inches [508] long, weighing 50.2lbs [23] per linear foot. The grate has an open area of 111.4 square inches [719] per linear foot, DIN Rating of Class E, ANSI Rating of Special-Duty, H-20 Load Rated and FAA Load Rated. Ductile iron conforms to ASTM specification A536, grade 80-55-06. Galvanizing (hot dip) conforms to ASTM specification A123.

GDE - Galvanized Ductile Iron Slotted Grate	
Material:	Galvanized Ductile Iron
DIN Rating:	Class E
Weight:	50.2 lbs/ft. [74.7 kg/m]
Open Area:	111.4 in <sup>2</sup> /ft [2358 cm <sup>2</sup> /m]
ANSI Rating:	Special-Duty
Application:	Airports, Extreme Loading
Slot Width/Hole Size:	1"
ADA:	No
H-20:	Yes
FAA:	Yes

**⚠ WARNING:** Cancer and Reproductive Harm - [www.P65Warnings.ca.gov](http://www.P65Warnings.ca.gov)

**⚠ ADVERTENCIA:** Cáncer y daño reproductivo - [www.P65Warnings.ca.gov](http://www.P65Warnings.ca.gov)

**⚠ AVERTISSEMENT:** Cancer et effets néfastes sur la reproduction - [www.P65Warnings.ca.gov](http://www.P65Warnings.ca.gov)



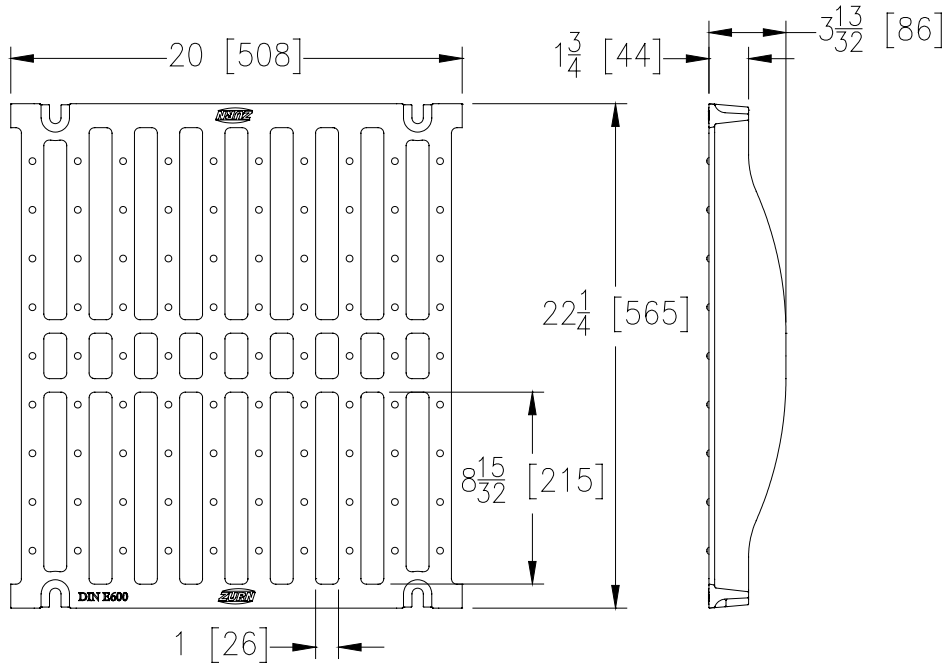
# P874-18-GDE-USA

22-1/4 [565] Wide Galvanized Ductile Iron Slotted Grate

Design and Dimensional Data (inches and [ mm ]) are Subject to Manufacturing Tolerances and Change Without Notice

[Back to Index](#)

Please Check ✓	Item No.	Part Number	Item I.D.
	9	94499	P874-18-GDE-USA



### GDE-USA ENGINEERING SPECIFICATION: The Zurn P874-18-GDE-USA

Galvanized Ductile Iron Slotted Grate, is 22-1/4 inches [572] wide x 20 inches [508] long, weighing 50.2lbs [23] per linear foot. The grate has an open area of 111.4 square inches [719] per linear foot, DIN Rating of Class E, ANSI Rating of Special-Duty, H-20 Load Rated and FAA Load Rated. Ductile iron conforms to ASTM specification A536, grade 80-55-06. Galvanizing (hot dip) conforms to ASTM specification A123.



GDE-USA - Galvanized Ductile Iron Slotted Grate	
Material:	Galvanized Ductile Iron
DIN Rating:	Class E
Weight:	50.2 lbs/ft. [74.7 kg/m]
Open Area:	111.4 in <sup>2</sup> /ft [2358 cm <sup>2</sup> /m]
ANSI Rating:	Special-Duty
Application:	Airports, Extreme Loading
Slot Width/Hole Size:	1"
ADA:	No
H-20:	Yes
FAA:	Yes

**⚠ WARNING:** Cancer and Reproductive Harm - [www.P65Warnings.ca.gov](http://www.P65Warnings.ca.gov)

**⚠ ADVERTENCIA:** Cáncer y daño reproductivo - [www.P65Warnings.ca.gov](http://www.P65Warnings.ca.gov)

**⚠ AVERTISSEMENT:** Cancer et effets néfastes sur la reproduction - [www.P65Warnings.ca.gov](http://www.P65Warnings.ca.gov)



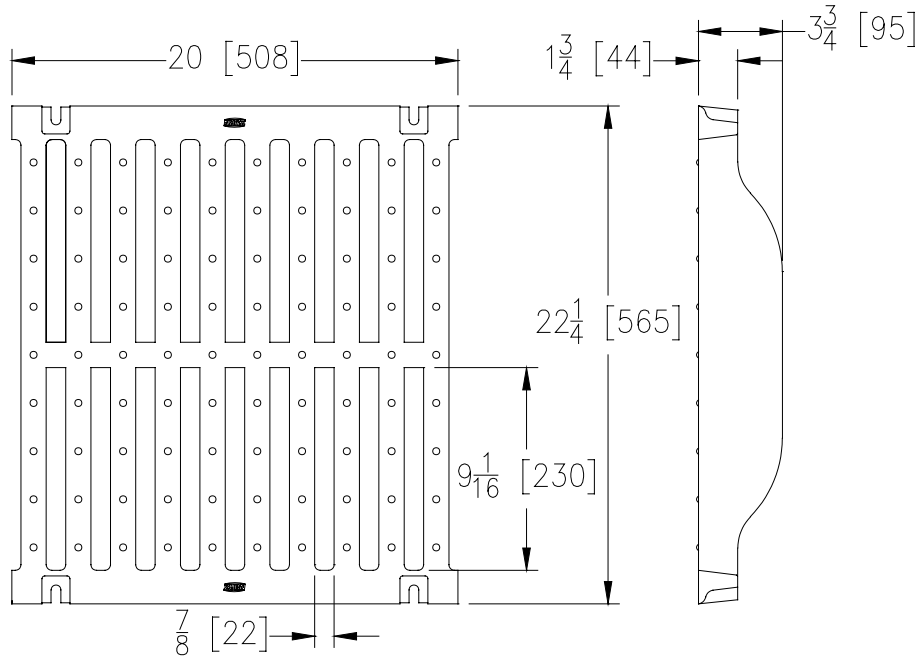
# P874-18-GDF

22-1/4 [565] Wide Galvanized Ductile Iron Slotted Grate

Design and Dimensional Data (inches and [ mm ]) are Subject to Manufacturing Tolerances and Change Without Notice

[Back to Index](#)

Please Check ✓	Item No.	Part Number	Item I.D.
	10	64373	P874-18-GDF



**GDF ENGINEERING SPECIFICATION:** The Zurn P874-18-GDF

Galvanized Ductile Iron Slotted Grate, is 22-1/4 inches [572] wide x 20 inches [508] long, weighing 73.4lbs [33] per linear foot. The grate has an open area of 94.1 square inches [607] per linear foot, DIN Rating of Class F, ANSI Rating of Special-Duty, H-20 Load Rated and FAA Load Rated. Ductile iron conforms to ASTM specification A536, grade 80-55-06. Galvanizing (hot dip) conforms to ASTM specification A123.

GDF - Galvanized Ductile Iron Slotted Grate	
Material:	Galvanized Ductile Iron
DIN Rating:	Class F
Weight:	73.4 lbs/ft. [109.2 kg/m]
Open Area:	94.1 in <sup>2</sup> /ft [1991.8 cm <sup>2</sup> /m]
ANSI Rating:	Special-Duty
Application:	Airports, Extreme Loading
Slot Width/Hole Size:	7/8"
ADA:	No
H-20:	Yes
FAA:	Yes

**⚠ WARNING:** Cancer and Reproductive Harm - [www.P65Warnings.ca.gov](http://www.P65Warnings.ca.gov)

**⚠ ADVERTENCIA:** Cáncer y daño reproductivo - [www.P65Warnings.ca.gov](http://www.P65Warnings.ca.gov)

**⚠ AVERTISSEMENT:** Cancer et effets néfastes sur la reproduction - [www.P65Warnings.ca.gov](http://www.P65Warnings.ca.gov)



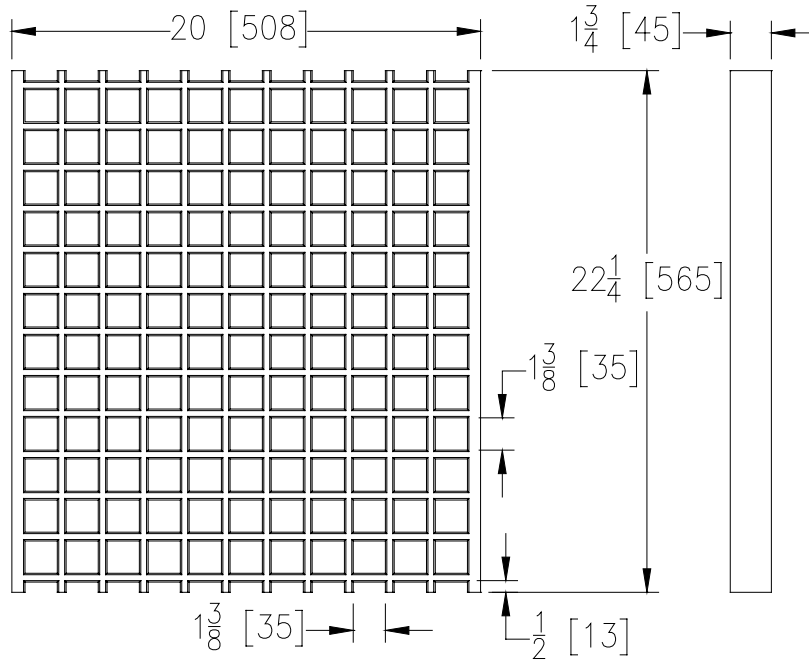
# P874-18-GG

22-1/4 [565] Wide Fiberglass Grate

Design and Dimensional Data (inches and [ mm ]) are Subject to Manufacturing Tolerances and Change Without Notice

[Back to Index](#)

Please Check ✓	Item No.	Part Number	Item I.D.
	11	64448	P874-18-GG



**GG ENGINEERING SPECIFICATION:** The Zurn P874-18-GG

Fiberglass Grate, is 22-1/4 inches [572] wide x 20 inches [508] long, weighing 8.0lbs [4] per linear foot. The grate has an open area of 159.6 square inches [1030] per linear foot, DIN Rating of Class A and ANSI Rating of Light-Duty. Fiberglass Conforms to Composition Resin Reich hold 31-509-01, glass NICO.

GG - Fiberglass Grate	
Material:	Fiberglass
DIN Rating:	Class A
Weight:	8.0 lbs/ft. [11.9 kg/m]
Open Area:	159.6 in <sup>2</sup> /ft [3378.2 cm <sup>2</sup> /m]
ANSI Rating:	Light-Duty
Application:	Pedestrian Traffic
Slot Width/Hole Size:	1-3/8"
ADA:	No
H-20:	No
FAA:	No

**⚠ WARNING:** Cancer and Reproductive Harm - [www.P65Warnings.ca.gov](http://www.P65Warnings.ca.gov)

**⚠ ADVERTENCIA:** Cáncer y daño reproductivo - [www.P65Warnings.ca.gov](http://www.P65Warnings.ca.gov)

**⚠ AVERTISSEMENT:** Cancer et effets néfastes sur la reproduction - [www.P65Warnings.ca.gov](http://www.P65Warnings.ca.gov)



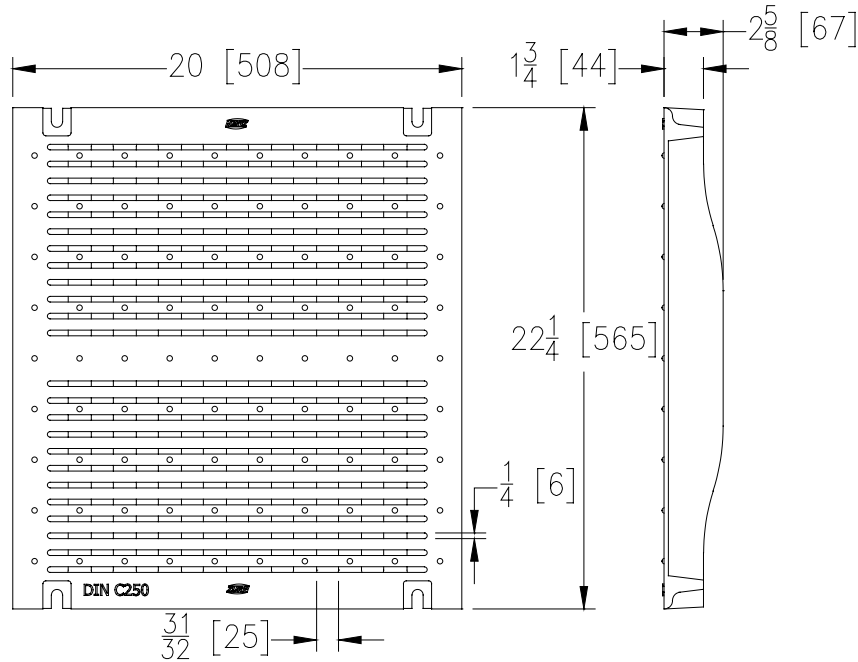
# P874-18-HPD

22-1/4 [565] Wide Ductile Iron Heel-Proof Slotted Grate

Design and Dimensional Data (inches and [ mm ]) are Subject to Manufacturing Tolerances and Change Without Notice

[Back to Index](#)

Please Check ✓	Item No.	Part Number	Item I.D.
	12	64401	P874-18-HPD



### HPD ENGINEERING SPECIFICATION: The Zurn P874-18-HPD

Heel-Proof Longitudinal Ductile Iron Grate, is 22-1/4 inches [572] wide x 20 inches [508] long, weighing 53.2lbs [24] per linear foot. The grate has an open area of 60.5 square inches [390] per linear foot, DIN Rating of Class C, ANSI Rating of Heavy-Duty, ADA compliant and H-20 Load Rated. Ductile iron conforms to ASTM specification A536, grade 80-55-06.

HPD - Heel-Proof Longitudinal Ductile Iron Grate	
Material:	Ductile Iron
DIN Rating:	Class C
Weight:	53.2 lbs/ft. [79.2 kg/m]
Open Area:	60.5 in <sup>2</sup> /ft [1280.6 cm <sup>2</sup> /m]
ANSI Rating:	Heavy-Duty
Application:	Heel-Proof & Pedestrian
Slot Width/Hole Size:	1/4"
ADA:	Yes
H-20:	Yes
FAA:	No

**⚠ WARNING:** Cancer and Reproductive Harm - [www.P65Warnings.ca.gov](http://www.P65Warnings.ca.gov)

**⚠ ADVERTENCIA:** Cáncer y daño reproductivo - [www.P65Warnings.ca.gov](http://www.P65Warnings.ca.gov)

**⚠ AVERTISSEMENT:** Cancer et effets néfastes sur la reproduction - [www.P65Warnings.ca.gov](http://www.P65Warnings.ca.gov)



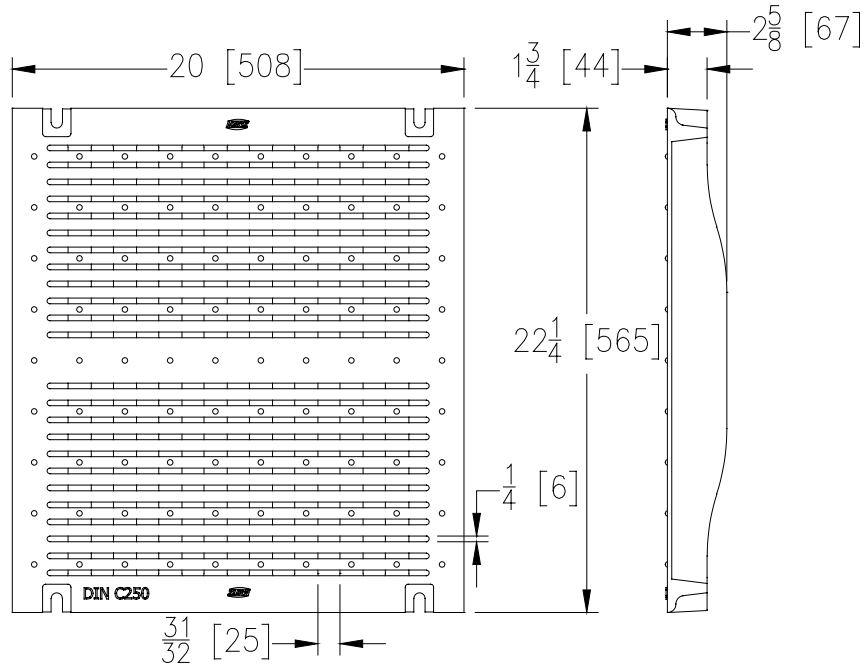
# P874-18-GHPD

22-1/4 [565] Wide Ductile Iron Galvanized Heel-Proof Slotted Grate

Design and Dimensional Data (inches and [ mm ]) are Subject to Manufacturing Tolerances and Change Without Notice

[Back to Index](#)

Please Check ✓	Item No.	Part Number	Item I.D.
	13	64401	P874-18-GHPD



### GHPD ENGINEERING SPECIFICATION: The Zurn P874-18-GHPD

Galvanized Heel-Proof Longitudinal Ductile Iron Grate, is 22-1/4 inches [572] wide x 20 inches [508] long, weighing 53.2lbs [24] per linear foot. The grate has an open area of 60.5 square inches [390] per linear foot, DIN Rating of Class C, ANSI Rating of Heavy-Duty, ADA compliant and H-20 Load Rated. Ductile iron conforms to ASTM specification A536, grade 80-55-06 Galvanizing (hot dip) conforms to ASTM Specification A123.

GHPD - Galvanized Heel-Proof Longitudinal Ductile Iron Grate	
Material:	Ductile Iron
DIN Rating:	Class C
Weight:	53.2 lbs/ft. [79.2 kg/m]
Open Area:	60.5 in <sup>2</sup> /ft [1280.6 cm <sup>2</sup> /m]
ANSI Rating:	Heavy-Duty
Application:	Heel-Proof & Pedestrian
Slot Width/Hole Size:	1/4"
ADA:	Yes
H-20:	Yes
FAA:	No

**⚠ WARNING:** Cancer and Reproductive Harm - [www.P65Warnings.ca.gov](http://www.P65Warnings.ca.gov)

**⚠ ADVERTENCIA:** Cáncer y daño reproductivo - [www.P65Warnings.ca.gov](http://www.P65Warnings.ca.gov)

**⚠ AVERTISSEMENT:** Cancer et effets néfastes sur la reproduction - [www.P65Warnings.ca.gov](http://www.P65Warnings.ca.gov)