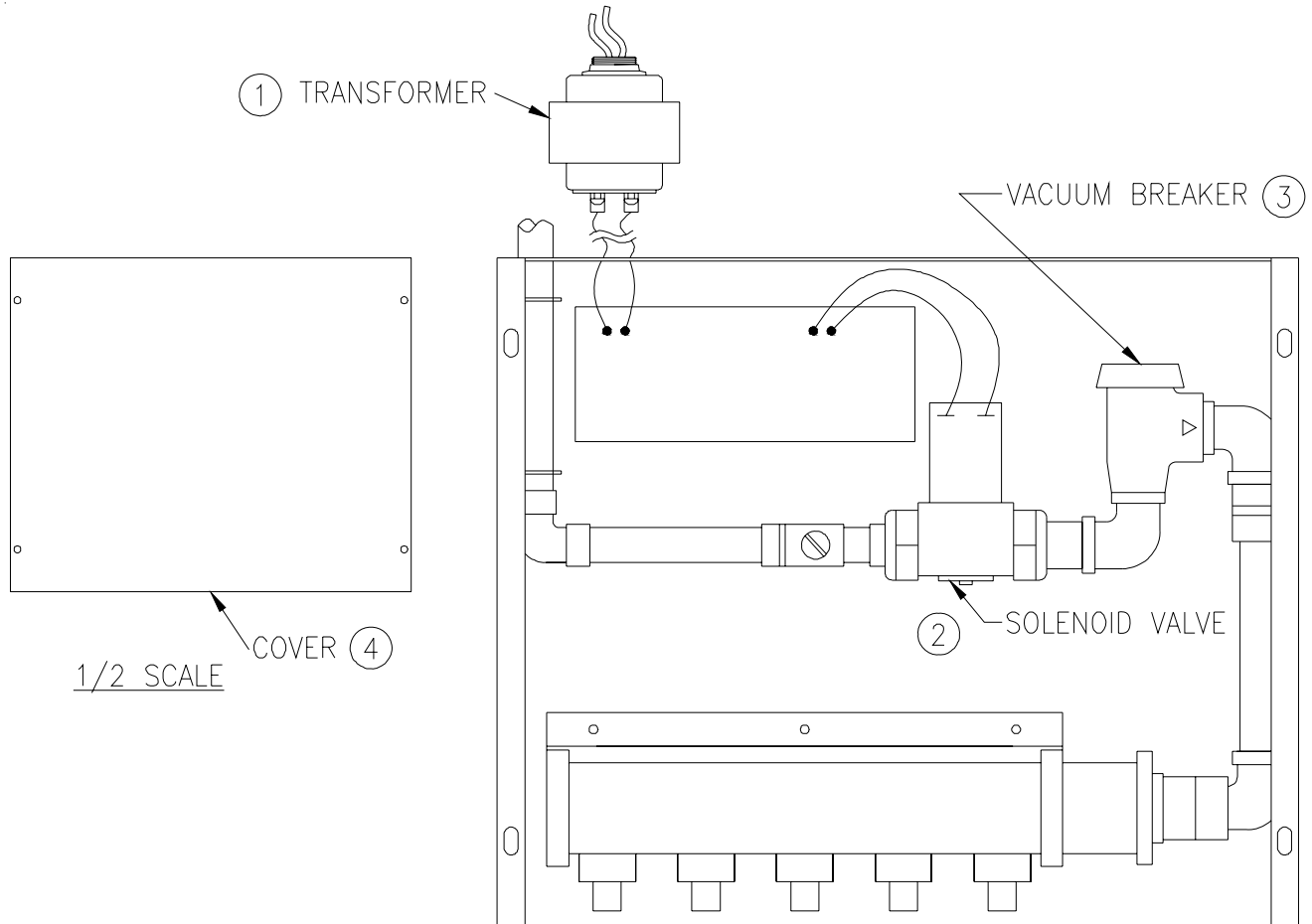




Z1020

ELECTRONIC TRAP PRIMER REPLACEMENT PARTS LIST

Dimensional Data (inches and [mm]) are Subject to Manufacturing Tolerances and Change Without Notice



Z1020 REPLACEMENT PARTS LIST

Item	Name	Item Number	Qty.
*1	Transformer	P1020-Transformer	1
*2	Solenoid Valve	P1020-Solenoidvalve	1
*3	Vacuum Breaker	12-35 (1/2" Model 35)	1
*4	Cover	P1020-Cover	1

Form # T26

Date: 04/19/11

C.N. No. 121167

Rev.

ZURN INDUSTRIES, LLC. ♦ SPECIFICATION DRAINAGE OPERATION ♦ 1801 Pittsburgh Ave. ♦ Erie, PA 16514
Phone: 814/455-0921 ♦ Fax: 814/454-7929 ♦ World Wide Web: www.zurn.com

In Canada: ZURN INDUSTRIES LIMITED ♦ 3544 Nashua Drive ♦ Mississauga, Ontario L4V1L2 ♦ Phone: 905/405-8272 Fax: 905/405-1292