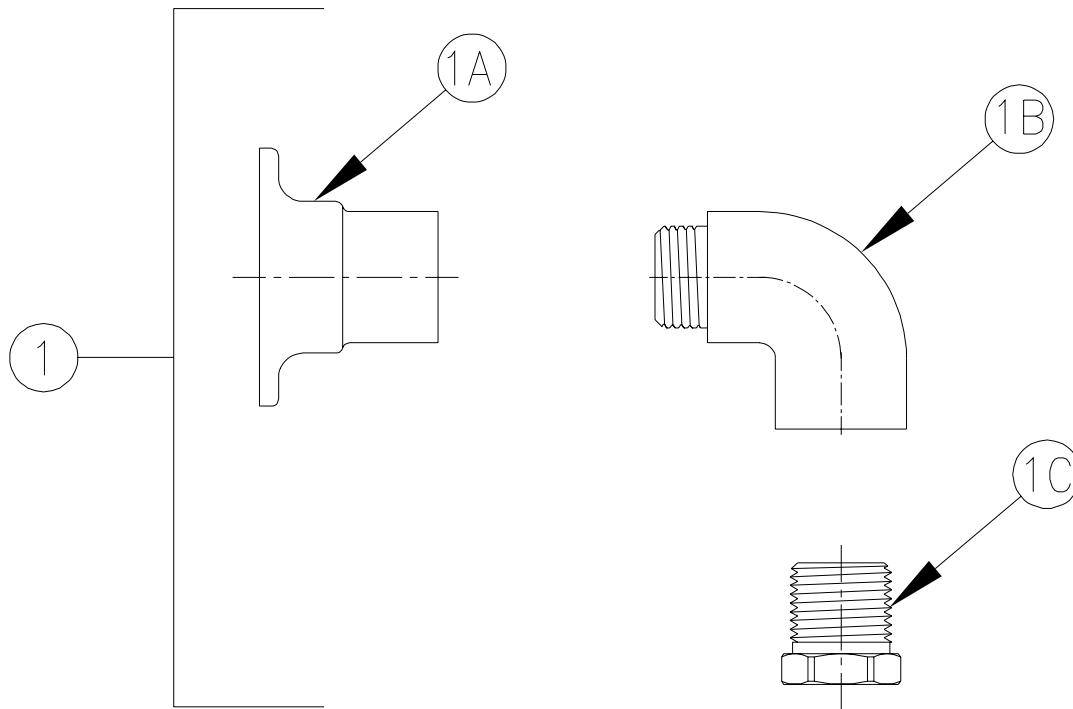


# SUPPLY ELL

## Z80000-SE Parts List



Item	Part Number	Description	Qty.
1	Z80000-SE	Wall Supply	1
1A	59465007	Base	1
1B	60901003	Elbow	1
1C	62003001	Adaptor 1/2" Male X 3/8" Female	1

ZURN INDUSTRIES, INC. ♦ COMMERCIAL BRASS OPERATION ♦ 2640 SOUTH WORK STREET ♦ FALCONER NY 14733  
 Phone: 1-716-665-1132 ♦ Fax: 1-716-665-1135 ♦ World Wide Web: www.zurn.com  
 In Canada: ZURN INDUSTRIES LIMITED ♦ 3544 Nashua Drive ♦ Mississauga, Ontario L4V1L2 ♦ Phone: 905/405-8272 Fax: 905/405-1292