

*Zurn Engineered Water Solutions™*

## Spec-Dec™ Specified Decorative Systems



Swimming Pools



Resorts



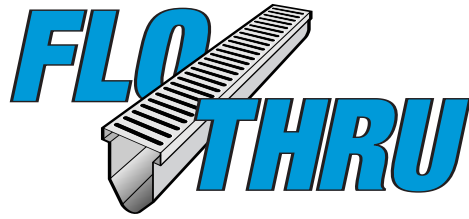
Residences



Water Parks

Drainage with Style





# Spec-Dec™

## Specified Decorative Systems

---

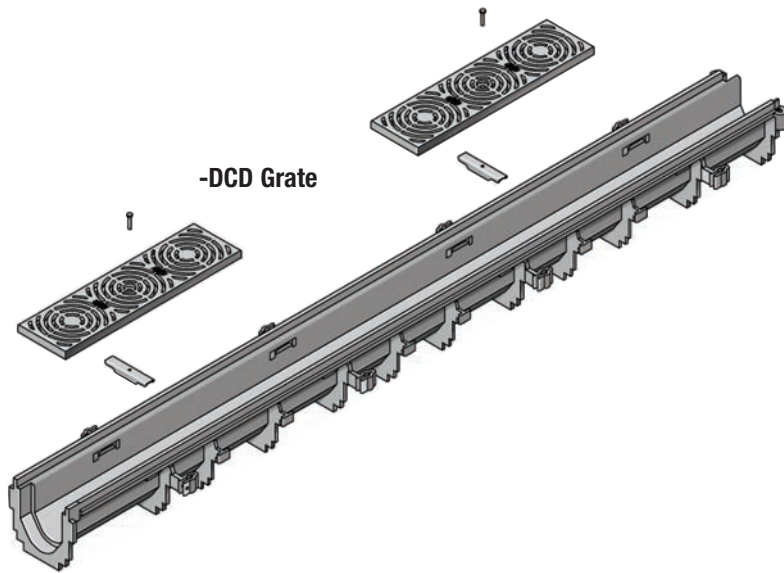
### Table of Contents

	<b>Page No.</b>
Z886 6" Wide Pre-Sloped Trench Drain . . . . .	2
Z883 6" Wide Non-Sloped Trench Drain . . . . .	3
6" Wide Decorative Grate Information . . . . .	4
Z880 2-1/2" Wide Non-Sloped Trench Drain . . . . .	5
2-1/2" Wide Decorative Grate Information . . . . .	5
Z884 4-3/4" Wide Non-Sloped Trench Drain . . . . .	6
4-3/4" Wide Decorative Grate Information . . . . .	6
Z882 12" Wide Pre-Sloped Trench Drain . . . . .	7
12" Wide Decorative Grate Information . . . . .	7
Z888-4, Z888-6, Z888-8 Slot Drains . . . . .	8
Stainless Steel Trench Drain Systems - Z890, Z895, Z891 . . . . .	9
ZA880 2-1/2" Wide Non-Sloped Aluminum Trench Drain . . . . .	10
ZA880-156 1-5/8" Wide Non-Sloped Aluminum Trench Drain . . . . .	10
Z887 Catch Basins . . . . .	11
Installation Methods . . . . .	11
Literature and Marketing Resources . . . . .	12
Area Specialists . . . . .	12
Tech Support . . . . .	12
Terms and Conditions . . . . .	Inside Back Cover

### Typical Applications

- Balconies
- Driveways
- Hardscapes
- Landscape/Residential
- Pool Areas
- Patios
- Shopping Malls
- Shower Drains
- Water Parks

# Z886 6" Wide Pre-sloped Trench Drain Polyethylene



Closed End Cap  
(E1)



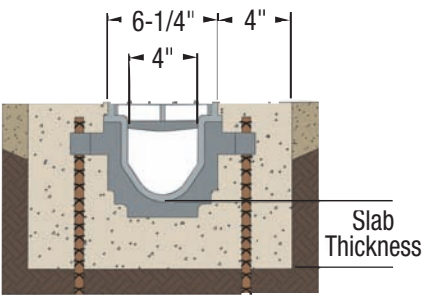
End Outlet  
(2", 3", 4", 6" NH)



Bottom Outlet  
(2", 3", 4", 6" NH)



## Z886 Installation Specification



Z886-PVS (Paver Slot)

## Z886 Features and Benefits

- 80" Modular Channel Sections with 20" and 40" Grates
- .75% Built-In Slope – Handles Greater Flows, Uniform Slope
- Radiused Bottom – Better Flow Rate, Less Debris Build-up
- Smooth High Density Polyethylene Structural Composite Interior – 0% Water Absorption
- Durable and Lightweight
- Sidewall Extensions for Sloped Runs Greater Than 120 Feet
- Paver Slot Option
- Variety of Gratings (Refer to Page 4)
- Grate Options – ADA, FAA, H-20 (For more information, refer to [www.zurn.com](http://www.zurn.com).)
- Trench drain shall be Flo-Thru model Z886. For a complete engineering specification, visit [www.zurn.com](http://www.zurn.com).



Courtyard

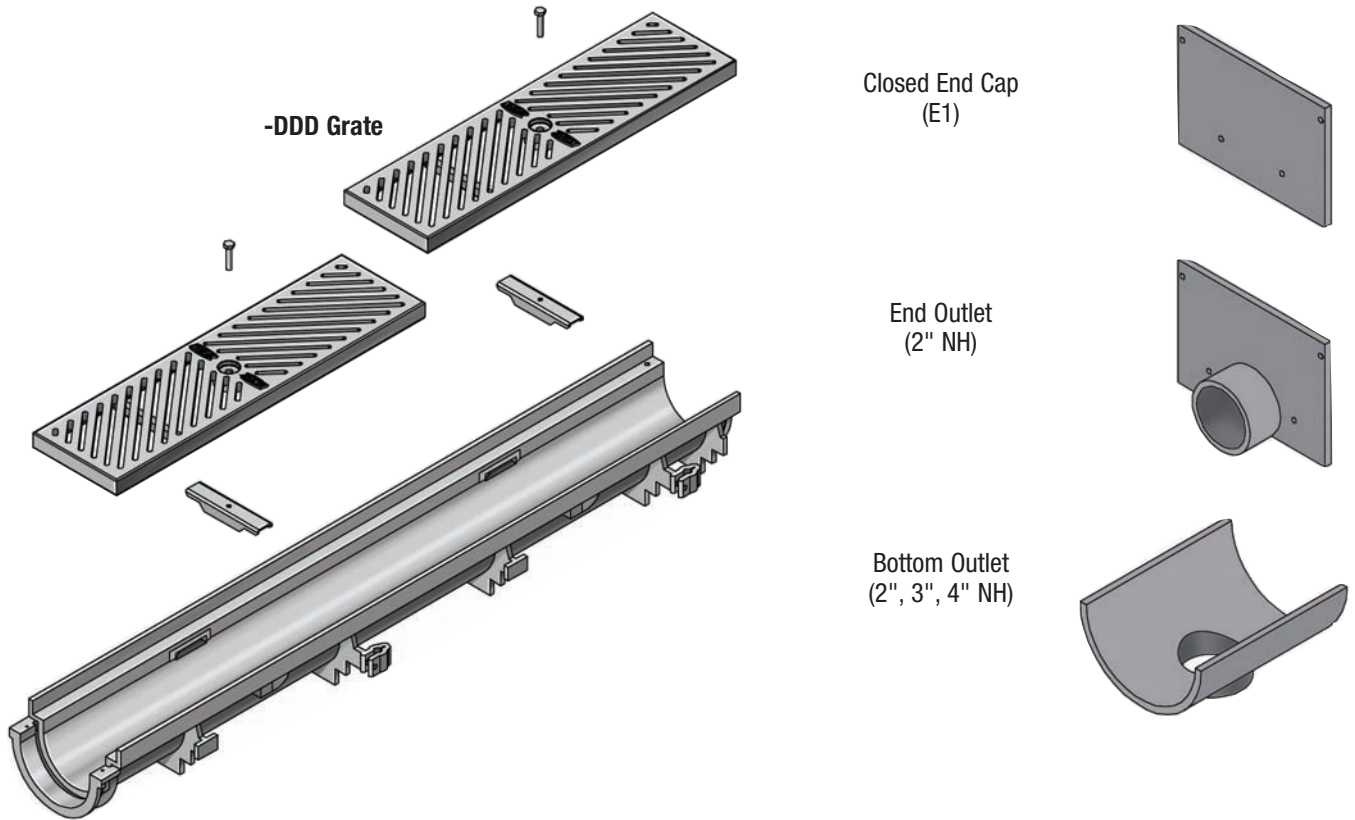


Fountain

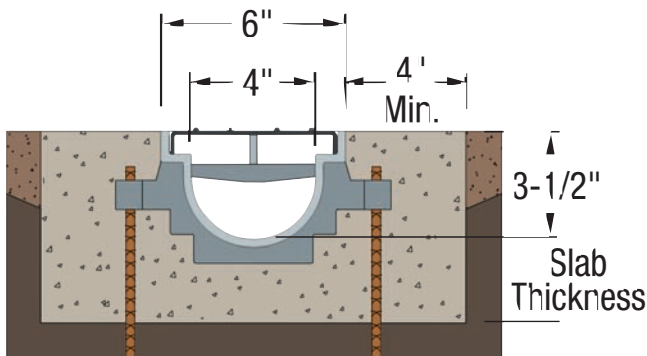


Outdoor Amphitheatre

# Z883 6" Wide Non-sloped Trench Drain



## Z883 Installation Specification



*Perimeter of Ice Rink*

## Z883 Features and Benefits






- 40" Modular Channel Sections with 20" and 40" Grates
- Smooth Seamless Construction – Clean, Sanitary Installation
- Durable and Lightweight
- 3-1/2" Trench Depth – For Depth Restricted Applications
- Variety of Gratings (Refer to Page 4)
- Many Grates ADA Compliant
- Trench drain shall be Flo-Thru model Z883. For a complete engineering specification, visit [www.zurn.com](http://www.zurn.com).



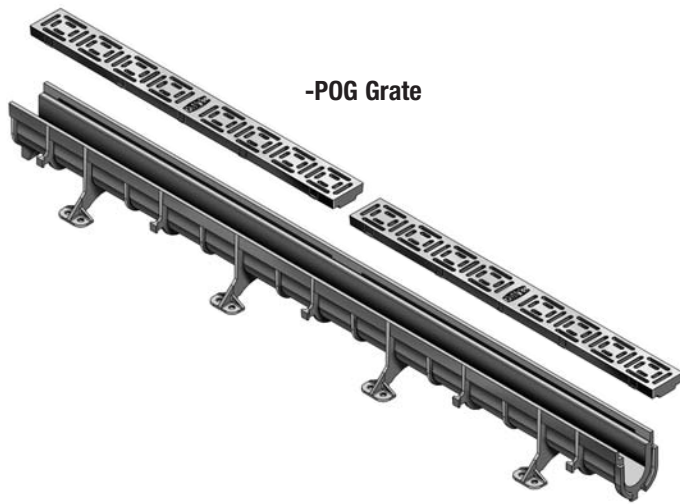
*Sea Wall*

# Decorative Grate Information 6" Wide System Grates

Grate Profile	Suffix	Description	Material	Length	Open Area (Sq. In./Ft.)
	AWG	Aluminum Wire Grate	Aluminum	40"	78.00
	BCD	Circular Decorative	Bronze	20"	6.80
	BDD	Diagonal Decorative	Bronze	20"	15.20
	BG	Slotted Bar Grate	Galvanized Cast Iron	20"	23.93
	BZ	Bronze Decorative	Bronze	20"	17.57
	CG	Slotted Grate	Cast Iron	20"	18.57
	DCD	Circular Decorative	Ductile Iron	20"	6.80
	DDD	Diagonal Decorative	Ductile Iron	20"	15.20
	DOG	Decorative	Ductile Iron	20"	17.57
	FG	Fabricated Slotted	Galvanized Steel	40"	13.68
	FS	Fabricated Slotted	Stainless Steel	40"	13.68
	GD	Slotted Grate	Galvanized Ductile Iron	20"	18.57
	GMG	Mesh Grate	Galvanized Steel	40"	50.20
	HPB	Heel-Proof Slotted	Bronze	20"	15.50
	HPD	Heel-Proof Longitudinal	Ductile Iron	20"	15.50

Grate Profile	Suffix	Description	Material	Length	Open Area (Sq. In./Ft.)
	HPP	Heel-Proof Slotted	HDPE	20"	14.50
	HPS	Heel-Proof Slotted	Stainless Steel	20"	15.50
	PG	Fabricated Perforated	Galvanized Steel	40"	7.17
	PP	Plastic Perforated	Plastic	20"	13.50
	PS	Fabricated Perforated	Stainless Steel	40"	7.17
	RFG	Reinforced Slotted	Galvanized Steel	40"	13.68
	RFS	Reinforced Slotted	Stainless Steel	40"	13.68
	RPG	Reinforced Perforated	Galvanized Steel	40"	7.17
	RPS	Reinforced Perforated	Stainless Steel	40"	7.17
	SBG	Slotted Bar Grate	Stainless Steel	20"	13.93
	SCD	Circular Decorative	Stainless Steel	20"	6.80
	SDD	Diagonal Decorative	Stainless Steel	20"	15.20
	SMG	Mesh Grate	Stainless Steel	40"	50.20
	SOG	Decorative	Stainless Steel	20"	17.57
	SWG	Stainless Wire Grate	Stainless Steel	40"	78.00

# Z880 2-1/2" Wide Non-sloped Trench Drain



Closed End Cap  
(E1)

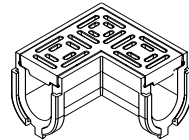


End Outlet  
(1-1/2" NH)

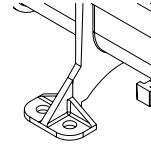


Bottom Outlet  
(1-1/2" NH)

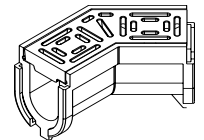
## Z880 System Highlights



90° Connector  
Channel with Grate

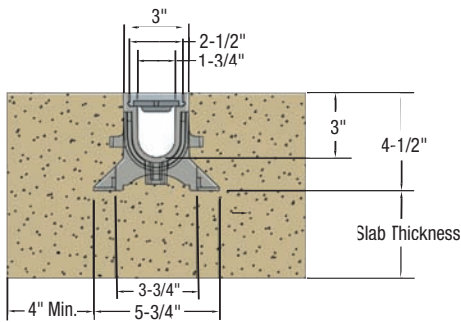


Bedding Feet



45° Connector  
Channel with Grate

## Z880 Installation Specification



## Z880 Features and Benefits

- 48" Modular Channel Sections with 24" Grates
- Durable and Lightweight
- 3" Trench Depth
- Prefabricated 45's and 90's
- Five Standard Colors – Gray, Brick Red, Blue, Sand, White
- Variety of Gratings
- Trench drain shall be Flo-Thru model Z880. For a complete engineering specification, visit [www.zurn.com](http://www.zurn.com).

## Z880 Available Colors



Gray



Brick Red



Blue





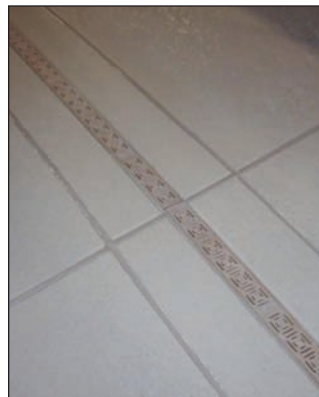
Sand



White

## 2-1/2" Wide System Grates

Grate Profile	Suffix	Description	Material	Length	Open Area (Sq. In./Ft.)
	AWG	Aluminum Wire Grate	Aluminum	24"	18.00
	BZ	Bronze Decorative	Bronze	24"	6.69
	POG	Plastic Decorative	HDPE	24"	6.69
	SOG	Stainless Decorative	Stainless Steel	24"	6.69
	SWG	Stainless Wire Grate	Stainless Steel	24"	18.00

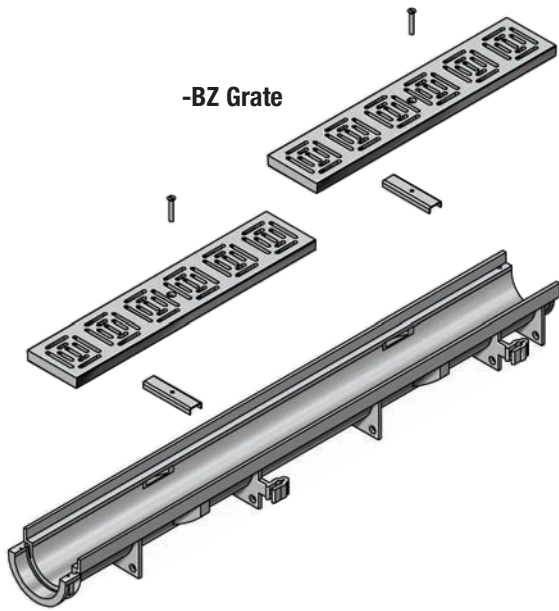


Shower Floor

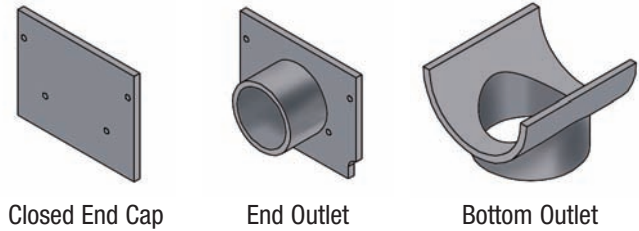


Shower Floor - 90° Corner

# Z884 4-3/4" Non-sloped Trench Drain



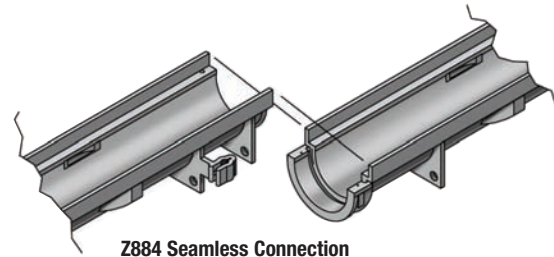
## Z884 Accessories and Connection Features



Closed End Cap

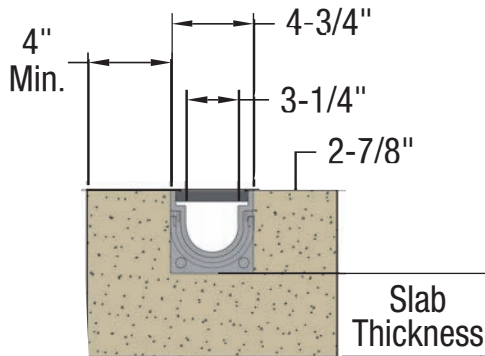
End Outlet

Bottom Outlet



Z884 Seamless Connection

## Z884 Installation Specification



## Z884 Features and Benefits

- 40" Modular Channel Sections with 20" and 40" Grates
- Smooth Seamless Construction – Clean, Sanitary Installation
- Durable and Lightweight
- 2-7/8" Trench Depth – For Depth Restricted Applications
- Variety of Gratings – Able to Meet Specific Job Requirements
- Grate Options – Available in ADA (For more information, refer to [www.zurn.com](http://www.zurn.com).)
- Trench drain shall be Flo-Thru model Z884. For a complete engineering specification, visit [www.zurn.com](http://www.zurn.com).

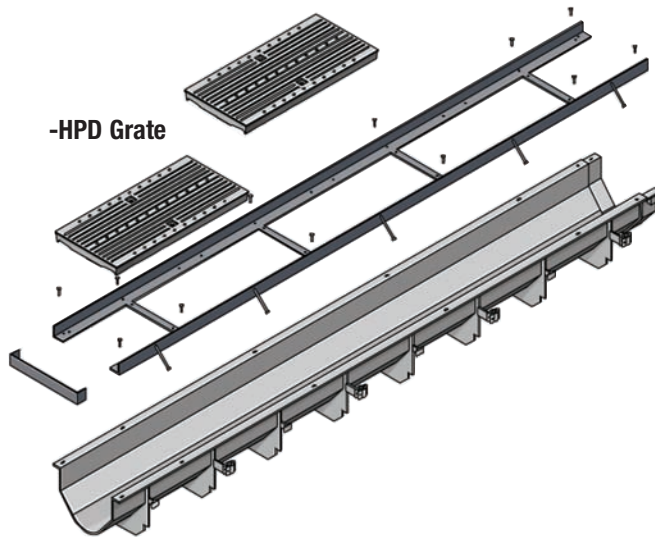
## 4-3/4" Wide System Grates

Grate Profile	Suffix	Description	Material	Length	Open Area (Sq. In./Ft.)
	BZ	Bronze Decorative	Bronze	20"	11.62
	FG	Fabricated Slotted	Galvanized Steel	40"	13.68
	FS	Fabricated Slotted	Stainless Steel	40"	13.68
	HPP	Heel-Proof Slotted	HDPE	20"	11.95
	PG	Fabricated Perforated	Galvanized Steel	40"	6.00
	PS	Fabricated Perforated	Stainless Steel	40"	6.00



Swimming Pool

# Z882 12" Wide Pre-Sloped Trench Drain Polyethylene



Closed End Cap (E1)



End Outlet (4", 6", 8" NH)

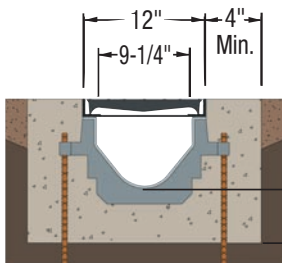


Bottom Outlet (4", 6", 8" NH)

## 12" Wide System Grates

Grate Profile	Suffix	Description	Material	Length	Open Area (Sq. In./Ft.)
	BG	Slotted Bar Grate	Galvanized Steel	24"	101.00
	FG	Fabricated Slotted	Galvanized Steel	24"	25.61
	FS	Fabricated Slotted	Stainless Steel	24"	25.61
	HPD	Heel-Proof Longitudinal	Ductile Iron	24"	26.94
	PG	Fabricated Perforated	Galvanized Steel	24"	14.00
	PS	Fabricated Perforated	Stainless Steel	24"	25.61
	RFG	Reinforced Slotted	Galvanized Steel	24"	25.61
	RFS	Reinforced Slotted	Stainless Steel	24"	25.61
	RPG	Reinforced Perforated	Galvanized Steel	24"	14.00
	RPS	Reinforced Perforated	Stainless Steel	24"	14.00
	SBG	Slotted Bar Grate	Stainless Steel	24"	101.00
	SWG	Stainless Wire Grate	Stainless Steel	24"	75.00

## Z882 Installation Specification



9-1/4" Throat / 12" Overall Width

Slab Thickness

## Z882 Features and Benefits

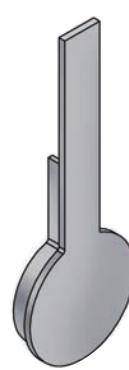
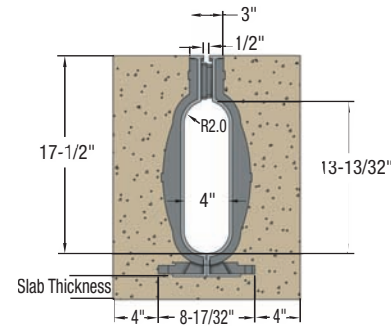
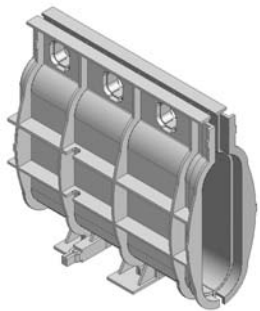
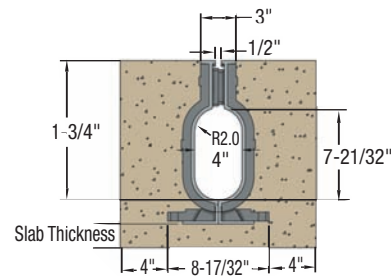
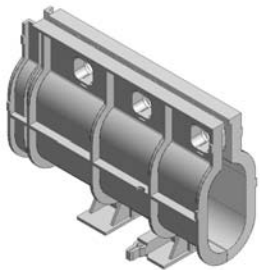
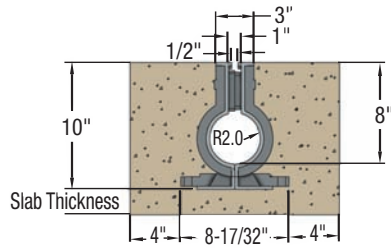
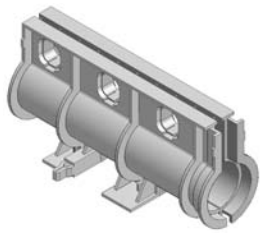
- Eight-Foot Modular Sections with 24" Grates
- 1.04% Built-In Slope – Handles Greater Flows, Uniform Slope
- Radiused Bottom – Better Flow Rate, Less Debris Build-up
- Smooth High Density Polyethylene Structural Composite Interior – 0% Water Absorption
- Durable and Lightweight
- Extra Long Runs – Sidewall Extensions Allow Pre-slope Runs Longer Than 120 Feet
- Variety of Gratings
- Grate Options – Available in ADA, FAA, H-20 (For more information, refer to [www.zurn.com](http://www.zurn.com).)
- Trench drain shall be Flo-Thru model Z882. For a complete engineering specification, visit [www.zurn.com](http://www.zurn.com).



Sidewalk



# Z888 Slot Drains Polyethylene



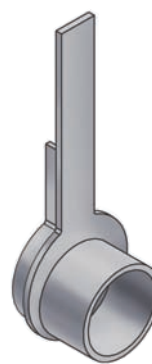
Z888-4  
Closed End Cap (E1)



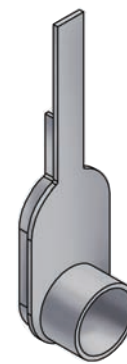
Z888-6  
Closed End Cap (E1)



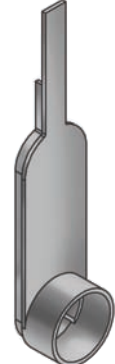
Z888-8  
Closed End Cap (E1)



Z888-4 End Outlet  
(2", 3", 4" NH)



Z888-6 End Outlet  
(2", 3", 4", 6" NH)



Z888-8 End Outlet  
(2", 3", 4", 6", 8" NH)



Z888-4  
Bottom Outlet  
(2", 3", 4" NH)

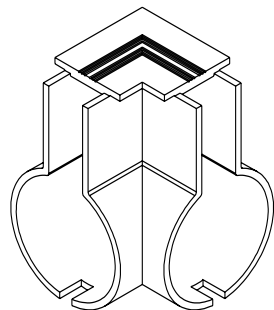


Z888-6  
Bottom Outlet  
(2", 3", 4" NH)

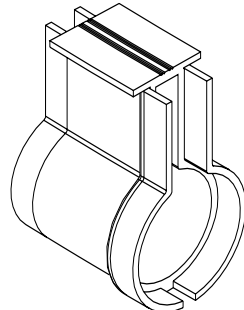


Z888-8  
Bottom Outlet  
(2", 3", 4" NH)

## Z888 Accessories Only available with Z888-4.



90° Connector



Radius Connector



Z888-4-HD (Paver Slot)



Z888-4-HD (Paver Slot)

## Z888 Features and Benefits

- 40" Modular Sections – Allows Quick and Easy Installation
- Variable Slot Opening (1/4", 1/2", or 3/4")
- ADA Compliant (1/4" or 1/2")
- Smooth High Density Polyethylene Structural Composite Interior – 0% Water Absorption
- Inlet and Conveyance Pipe
- Flow Capacity
- Interlocking Joints
- Radius Capability
- Paver Slot Option Available – Carbon Steel, Galvanized, or Stainless Steel
- Slot drain shall be Flo-Thru model Z888-4, Z888-6, or Z888-8. For a complete engineering specification, visit [www.zurn.com](http://www.zurn.com).

# Sani-Flo Stainless Steel Trench Drains

## Features and Benefits

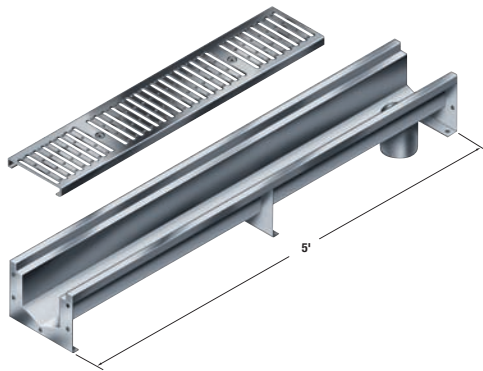
- Modular Sections – Allows Quick and Easy Assembly, Straighter Installation
- 1.04% Built-In Slope (1/8" per Foot) – Able to Handle Greater Flows, Uniform Slope
- Smooth, Seamless Construction – Provides Clean, Sanitary Installation
- Durable and Lightweight – Strong Corrosion-Resistant Material
- Bolted, Gasketed Feature – Keeps Trench System Straight and Liquid Tight
- Trench drain shall be Flo-Thru model Z890, Z895, or Z891. For a complete engineering specification, visit [www.zurn.com](http://www.zurn.com).



**Stainless Steel Trench**

**Z897 Stainless Steel Catch Basins** available in 6" x 20", 12" x 24", and 24" x 24".

## Z890 6" Wide Stainless Steel Drain System Refer to Page 4 for Grate Options



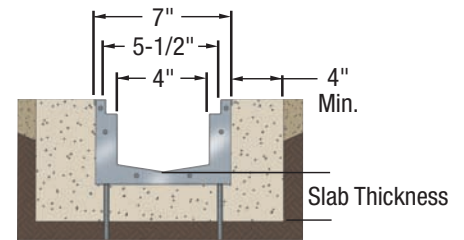
Closed End Cap  
(E1)

End Outlet  
(2", 3", 4", 6" NH)  
*Z890 supplied with outlet attached.*

Bottom Outlet  
(2", 3", 4", 6" NH)  
*Z890 supplied with outlet attached.*

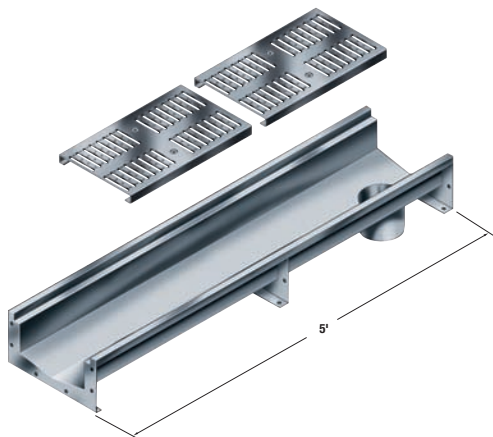


### Z890 Installation Specification



4" Throat / 6" Overall Width

## Z895 12" Wide Stainless Steel Drain System Refer to Page 7 for Grate Options



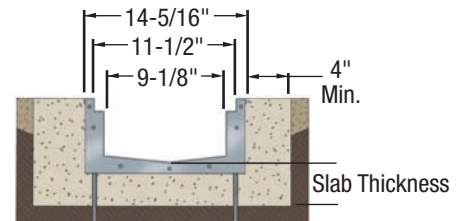
Closed End Cap  
(E1)

End Outlet  
(4", 6", 8" NH)  
*Z895 supplied with outlet attached.*

Bottom Outlet  
(4", 6", 8" NH)  
*Z895 supplied with outlet attached.*



### Z895 Installation Specification



9-1/8" Throat / 12" Overall Width

## Z891 3/4" Wide Stainless Steel Slot Drain



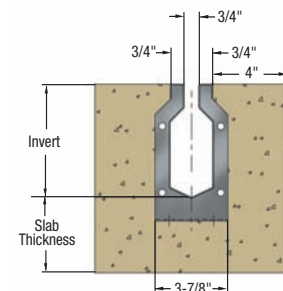
Closed End Cap  
(E1)

End Outlet  
(2" NH)  
*Z891 supplied with outlet attached.*

Bottom Outlet  
(2" NH)  
*Z891 supplied with outlet attached.*



### Z891 Installation Specification



# ZA880 Extruded Aluminum Trench Drains

## Features and Benefits

- 96" Channel Sections with 24" Grates
- Flanged on Both Sides of Trench
- Snap-in Bronze Decorative Grate
- Compatible with Vapor Barrier Applications
- Optional – Clamping Collar and Pan (-KC) and Leveling Feet (-LF)
- Trench drain shall be Flo-Thru model ZA880 or ZA880-156.  
For a complete engineering specification, visit [www.zurn.com](http://www.zurn.com).

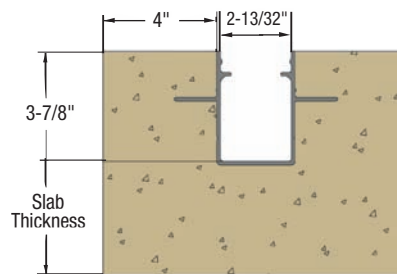


Balcony

## ZA880 2-1/2" Wide Non-sloped Aluminum Trench Drain



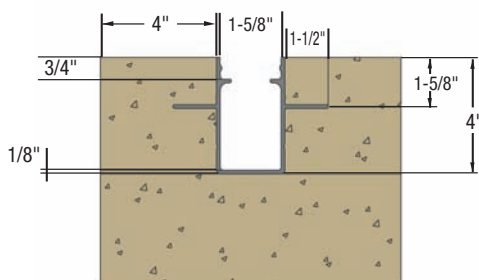
### ZA880 Installation Specification



## ZA880-156 1-5/8" Wide Non-sloped Aluminum Trench Drain

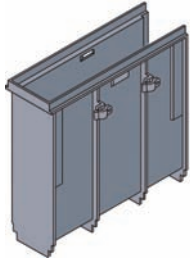


### ZA880-156 Installation Specification

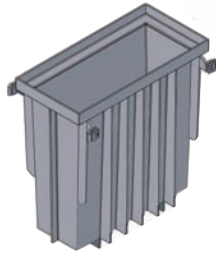


Walkway

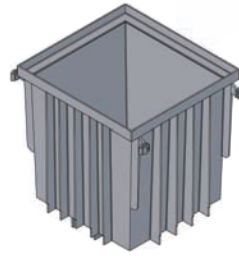
# Z887 Catch Basins



6" x 20" Catch Basin



12" x 24" Catch Basin

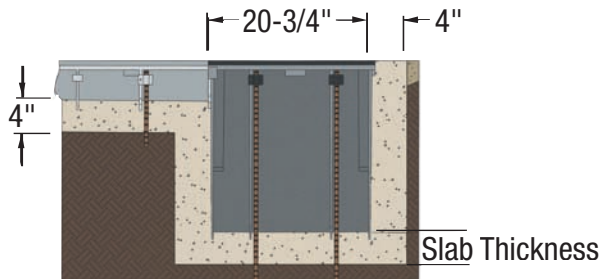


24" x 24" Catch Basin



Sediment Trash Bucket

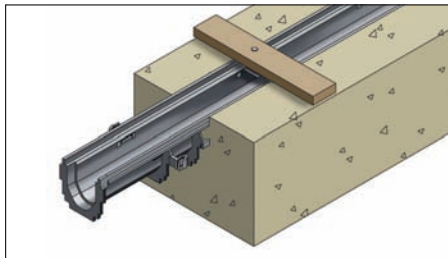
## Z887 Installation Specification



## Z887 Features and Benefits

- Frame Options (Carbon Steel, Stainless Steel, and Galvanized Steel)
- Grate Options (For 6" x 20", refer to page 4; for 12" x 24", refer to page 7; and for 24" x 24", refer to [www.zurn.com](http://www.zurn.com).)
- Ease of Installing Outlets (End/bottom outlets are available in multiple sizes.)
- Catch Basin shall be Flo-Thru model Z887. For a complete engineering specification, visit [www.zurn.com](http://www.zurn.com).

## Installations Suspended, Rebar Clip, and Bedding Methods

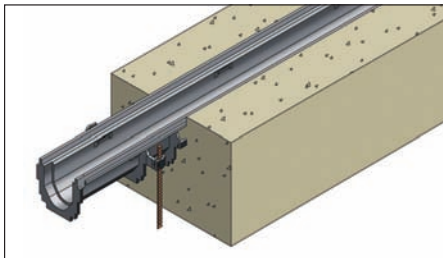


### Suspended Installation

Suspended installation is best used where an existing concrete slab or other hard surface such as form board can be used to suspend and hold channel sections.

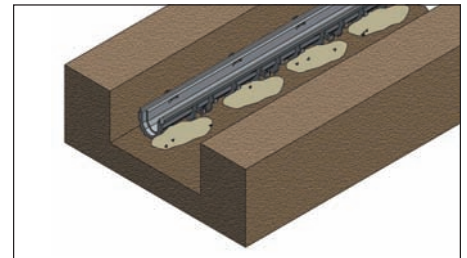
Use 2" x 4" boards of sufficient length to span the trench and 3" long bolts with nuts and washers to secure channel to boards. Position each channel section end-to-end ensuring a tight, well aligned assembly.

With channel run properly positioned, secure boards in place to avoid any movement such as rising. Place and consolidate concrete under and alongside channels, then finish to the proper grade.



### Rebar Clip Installation

Prepare each trench excavation and pull stringline to proper elevation. Place channels alongside the trench in proper numerical sequence. Attach rebar clips to the trench and drive rebar stakes into the sub-grade at required locations. Level trench to desired elevation and lock in place with thumbscrews.



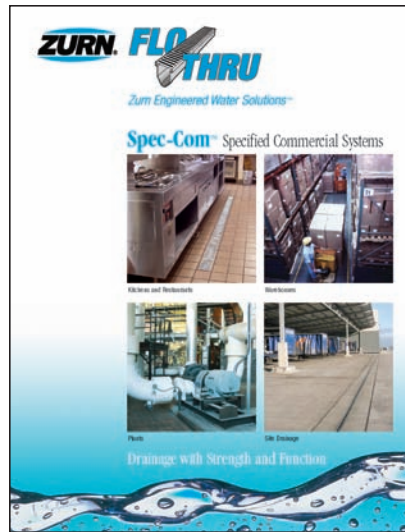
### Bedding Installation

Prepare trench excavation. Place channels alongside the trench in proper numerical order. Pour a layer of concrete for the channel to set on. While the concrete is wet, place the channels in the trench. Level trench to desired elevation and let the first layer of concrete set. This will secure the trench in the desired location preventing movement during the second pour. Place and consolidate concrete under and alongside channels, then finish to the proper grade. Use a trowel for a smooth finish.

# Flo-Thru Literature and Marketing Resources



Transportation



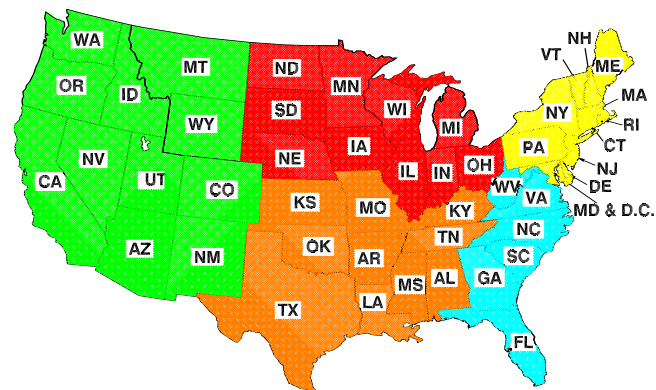
Commercial/Industrial



Athletic Facilities

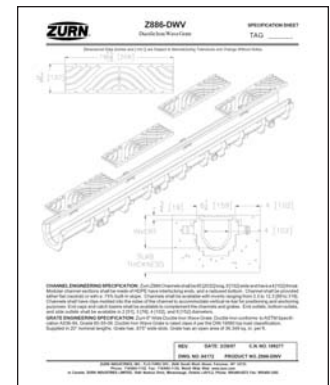
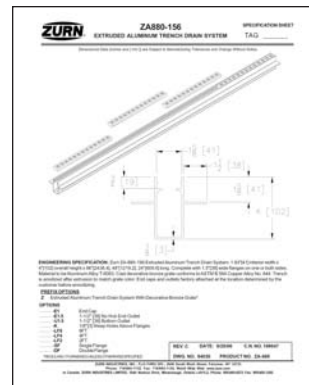
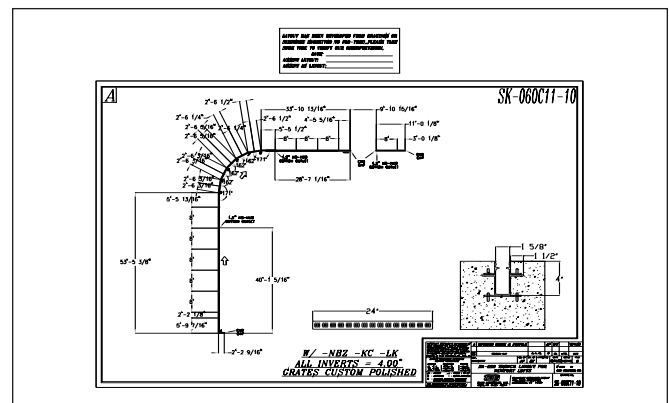
## Area Specialists

- Presentations and Box Lunches
- On-Site Installation Assistance



## Tech Support

- CAD Layouts
- Submittals
- System Sizing
- Flow Rate CD



# Terms and Conditions Zurn Flo-Thru

---

## Price and Terms of Payment

Prices are F.O.B. Seller's plant, Falconer, New York, or Service Center, 2% cash discount payable 30 days from date of invoice, net 31 days. Interest chargeable at the maximum legal rate on past due items still unpaid after 31 days from date of invoice. In addition to the prices and freight specified, Buyer shall pay all sales, consumers, or other applicable taxes. Minimum invoice \$25.00. All prices subject to change at any time without notice.

## Shipment and Delivery

Unless otherwise specifically stated, materials will be shipped freight collect, and all freight is to be paid by the Buyer, but Seller reserves the option to prepay the freight. Buyer agrees to make all complaints for damage in transit or "short count" directly to the carrier; before the contents are unloaded to have the carrier agent's acknowledgement of such damage noted on the bill of lading; and to present to the carrier its agent's acknowledgement of such damaged material with formal claim covering said damage. Shipping dates are estimates and time of delivery is not the essence of this sale of the contract therefore. Under no circumstances will the Seller have any responsibility on account of any delays in manufacture, transportation, or otherwise. Freight prepaid policy is \$5,000.

## Limited Warranty

All goods sold hereunder are warranted to be free from defects in material and factory workmanship for a period of one year from the date of purchase. We will replace at no cost goods that prove defective provided we are notified in writing of such defect and the goods are returned to us prepaid at Falconer, New York, with evidence that they have been properly maintained and used in accordance with instructions. WE SHALL NOT BE RESPONSIBLE FOR ANY LABOR CHARGES OR ANY LOSS, INJURY, OR DAMAGES WHATSOEVER, INCLUDING INCIDENTAL OR CONSEQUENTIAL DAMAGES. The sole and exclusive remedy shall be limited to the replacement of the defective goods. Before installation and use, the purchaser shall determine the suitability of the product for his intended use and the purchaser assumes all risk and liability whatever in connection therewith. Where permitted by law, THE IMPLIED

WARRANTY OF MERCHANTABILITY IS EXPRESSLY EXCLUDED. If the products sold hereunder are "consumer products," THE IMPLIED WARRANTY OF MERCHANTABILITY IS LIMITED TO A PERIOD OF ONE YEAR AND SHALL BE LIMITED SOLELY TO THE REPLACEMENT OF THE DEFECTIVE GOODS. All weights stated in our catalogs and lists are approximate and are not guaranteed.

## Returned Goods

Standard cataloged material may be returned only with written permission of Seller. Approval will only be granted when material is currently manufactured and listed in the Flo-Thru Price Guide, January 2007, Form No. FT776. Returned goods are subject to a 25% restocking charge plus cost of reconditioning, if necessary, to make material salable. Transportation charges must be prepaid by the Buyer. Credit allowance will be in the form of merchandise credit only – not cash credit. The value of a return must total at least \$100.00 to qualify for credit allowance. Galvanized material will be credited at value of Dura-Coated cast iron, and chrome plated at value of bronze. No credit will be allowed for parts unless originally ordered and invoiced as parts. No credit will be allowed for auxiliary tappings, discontinued, or made-to-order items. The letter B in parentheses (B) following an item on the acknowledgement of a purchase order indicates that the item has been made especially for the job and is not subject to return or cancellation except by special negotiation. No returns will be accepted after one year from the date of purchase.

## Illustrations of Installations

Installation illustrations are intended to show the products and their options. Under no circumstances are they to be construed as recommended installation procedures. Consult local codes and project specifications for proper installation instructions.

## General

Possession of this brochure or other sales literature is not to be construed as an offer to sell. All orders are subject to acceptance by the general office of Seller in Falconer, New York. Brochure printed in U.S.A.



Visit us at [www.zurn.com](http://www.zurn.com)



**ZURN SPECIFICATION DRAINAGE OPERATION**  
1801 Pittsburgh Avenue  
Erie, PA 16502-1916  
Phone: (814) 455-0921 • Fax: (814) 875-1402



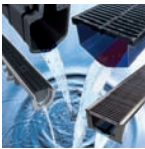
**ZURN ECOVANTAGE WATER CONSERVATION  
FIXTURE SYSTEMS OPERATION**  
2640 South Work Street  
Falconer, NY 14733-1716  
Phone: (716) 665-1132 • Fax: (716) 665-1135



**ZURN CHEMICAL DRAINAGE SYSTEMS OPERATION**  
1801 Pittsburgh Avenue  
Erie, PA 16502-1916  
Phone: (814) 455-0921 • Fax: (814) 875-1402



**ZURN COMMERCIAL FIXTURES OPERATION**  
2640 South Work Street  
Falconer, NY 14733-1716  
Phone: (716) 665-1132 • Fax: (716) 665-1135



**ZURN FLO-THRU OPERATION**  
2640 South Work Street  
Falconer, NY 14733-1716  
Phone: (716) 665-1132 • Fax: (716) 665-1135



**ZURN AQUASPEC COMMERCIAL FAUCET OPERATION**  
2640 South Work Street  
Falconer, NY 14733-1716  
Phone: (716) 665-1132 • Fax: (716) 665-1135



**ZURN WILKINS OPERATION**  
1747 Commerce Way  
Paso Robles, CA 93446-3696  
Phone: (805) 238-7100 • Fax: (805) 238-5766



**ZURN COMMERCIAL BRASS OPERATION**  
5900 Elwin Buchanan Drive  
Sanford, NC 27330-9541  
Phone: (919) 775-2255 • Fax: (919) 775-3541



**ZURN PEX PLUMBING AND  
RADIANT HEATING SYSTEMS OPERATION**  
Highway 11 East  
Commerce, TX 75428-3638  
Phone: (800) 872-7277 • Fax: (903) 886-2583



**ZURN COMMERCIAL TRAPS & SUPPLIES OPERATION**  
2640 South Work Street  
Falconer, NY 14733-1716  
Phone: (716) 665-1132 • Fax: (716) 665-1135



**ZURN LIGHT COMMERCIAL OPERATION**  
2640 South Work Street  
Falconer, NY 14733-1716  
Phone: (716) 665-1132 • Fax: (716) 665-1135



**ZURN INDUSTRIES LIMITED**  
3544 Nashua Drive  
Mississauga, Ontario, Canada L4V 1L2  
Phone: (905) 405-8272 • Fax: (905) 405-1292



**ZURN INDUSTRIES, LLC** FLO-THRU OPERATION, 2640 SOUTH WORK STREET, FALCONER, NY, U.S.A. 14733  
PHONE: 716/665-1132 FAX: 716/665-1135 [www.zurn.com](http://www.zurn.com)

In Canada Call:

**ZURN INDUSTRIES LIMITED** 3544 NASHUA DRIVE, MISSISSAUGA, ONTARIO L4V 1L2  
PHONE: 905/405-8272 FAX: 905/405-1292